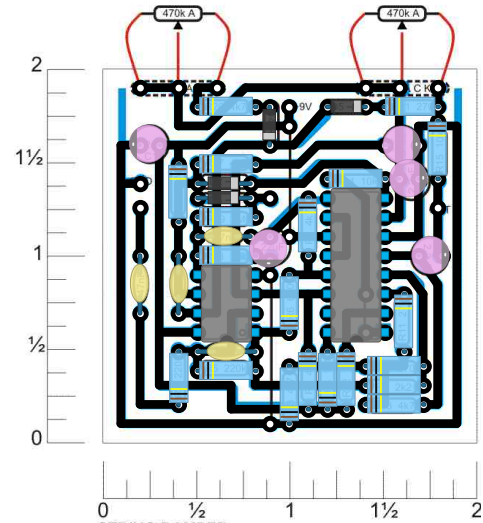


**STRING DAMPER**  
 Sep.21.2001  
 Layout and presentation by Francisco Peña 2001



**STRING DAMPER**  
 Sep.21.2001  
 Layout and presentation by Francisco Peña 2001

