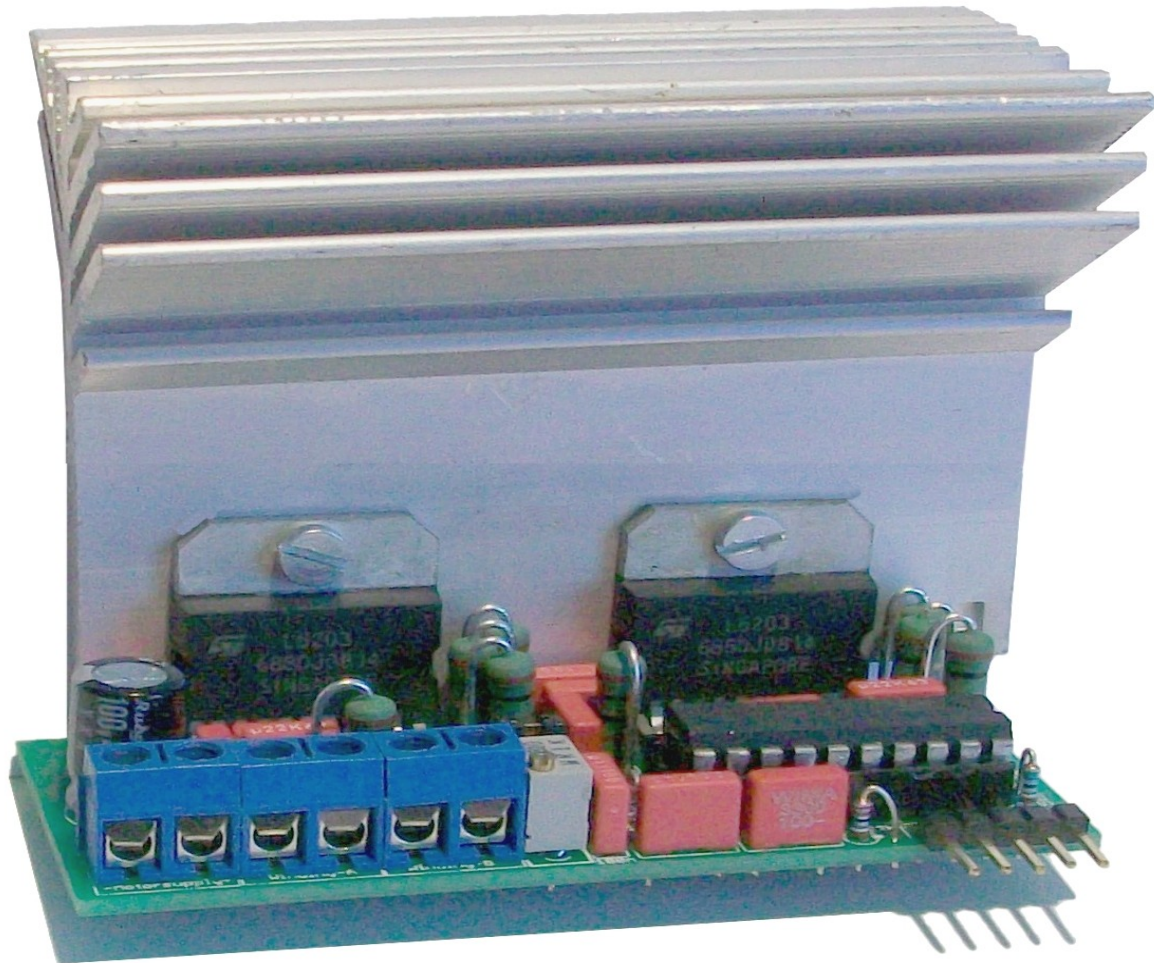


4A 45V Bipolar Stepping Motor Driver

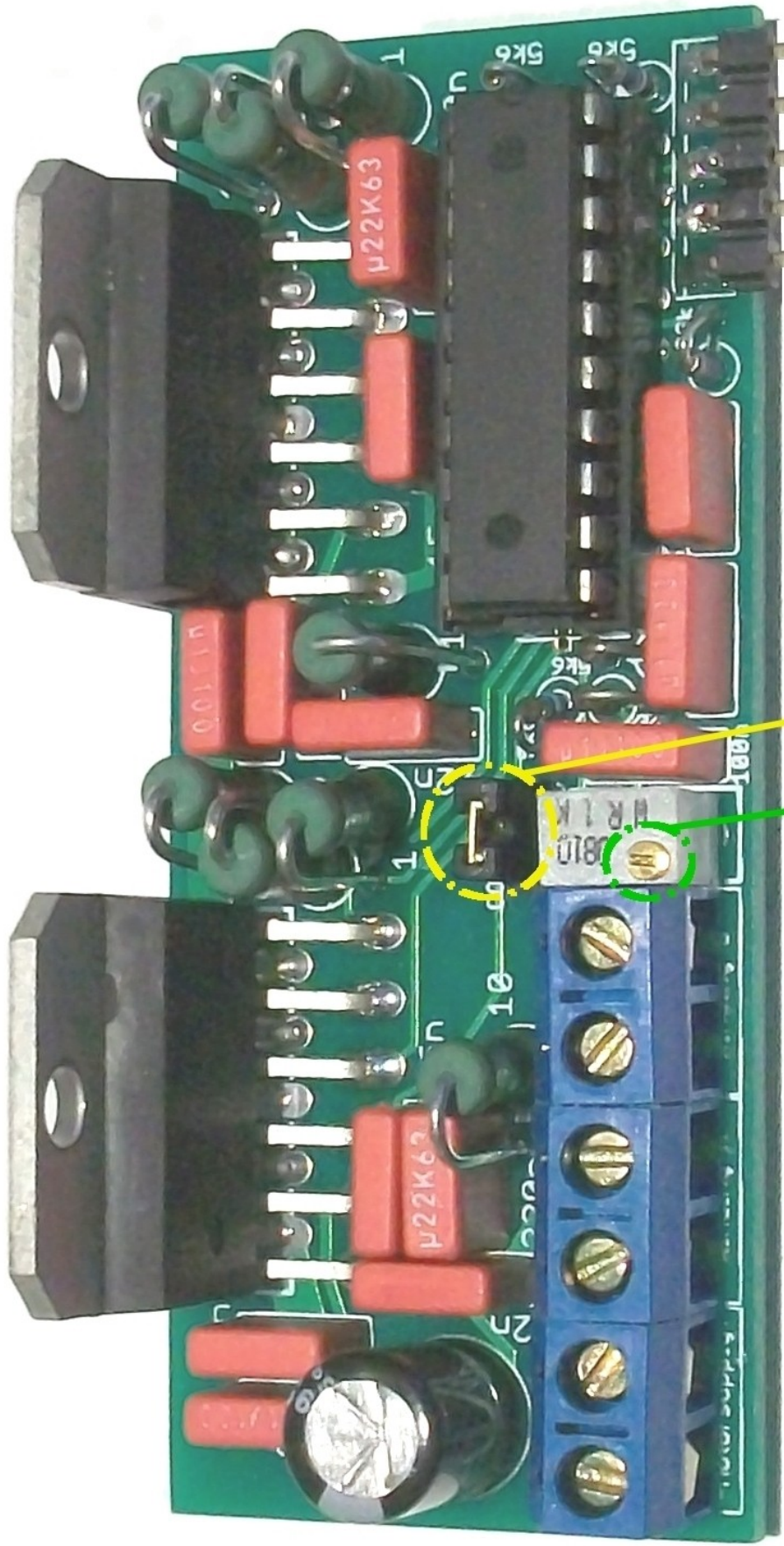


Features:

- Based on L297 L6203
- Max 45V
- Half step resolution
- Adjustable motor current from 0 to 4A
- Inhibit or phase chopping mode
- Built-in overheat protection
- Small form of 2.95"x1.2" board dimensions

Parts List:

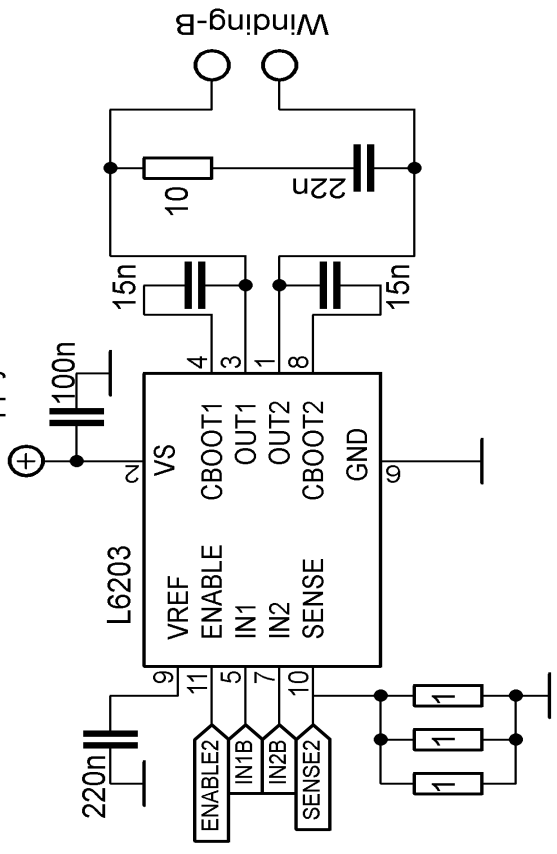
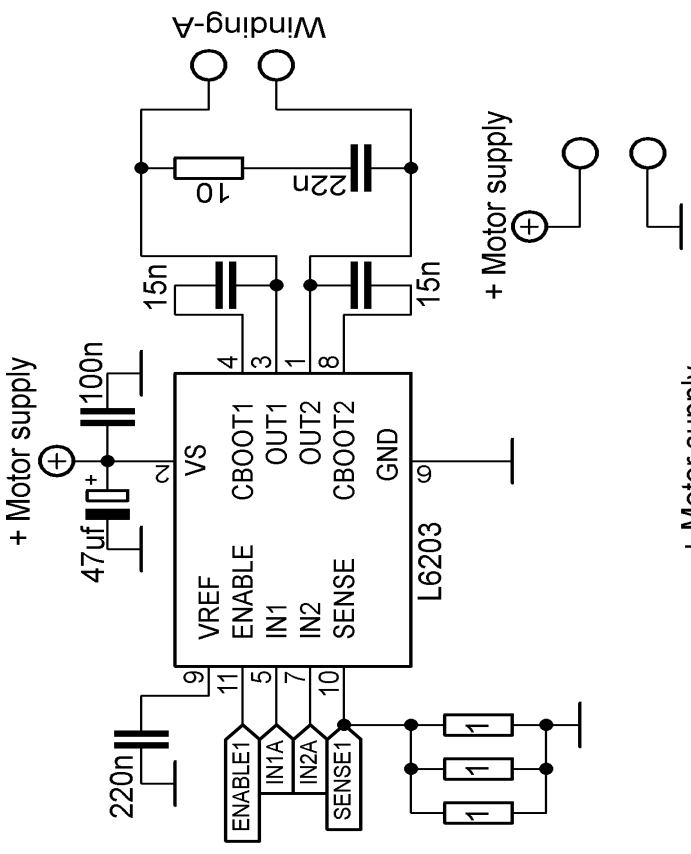
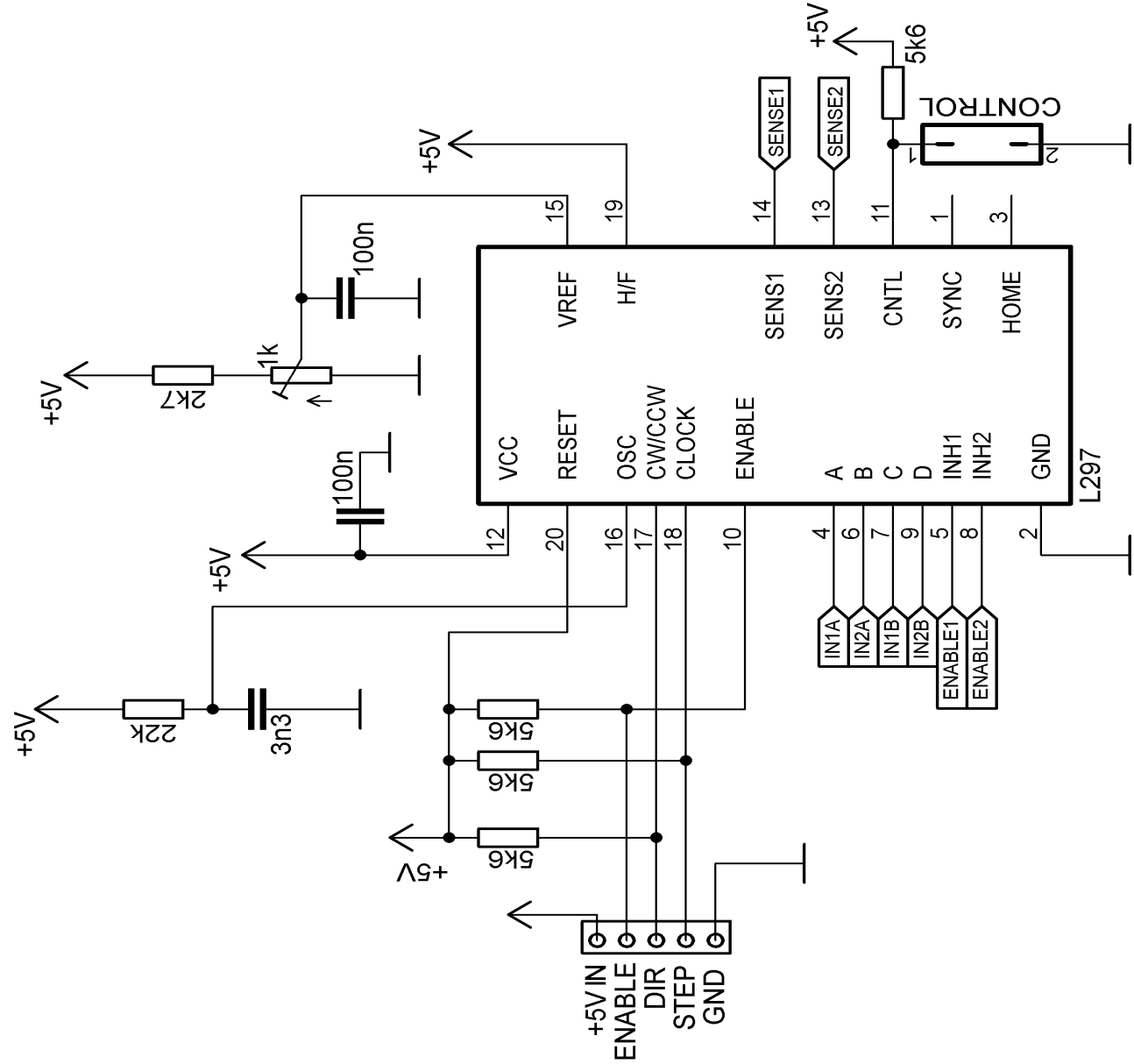
- 4x 5k6 1/8 watt resistor
- 1x 22k 1/8 watt resistor
- 1x 2k7 1/8 watt resistor
- 1x 1k trimmer
- 6x 1ohm 2watt (not wirewound)
- 2x 10ohm 2watt (not wirewound)
- 4x Polyester capacitor 100 nF
- 1x Polyester capacitor 3.3 nF
- 2x Polyester capacitor 220 nF
- 4x Polyester capacitor 15 nF
- 2x Polyester capacitor 22 nF
- 1x Electrolytic Capacitor 47 uF 100V
- 1x L297
- 2x L6203
- 3x 2 Pin screw terminal block
- 1x 2 pin header
- 1x Jumper
- 1x 5 pin 90°connector



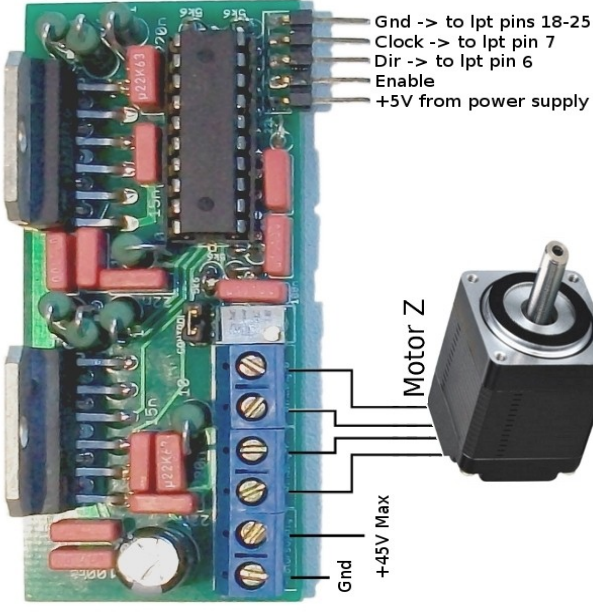
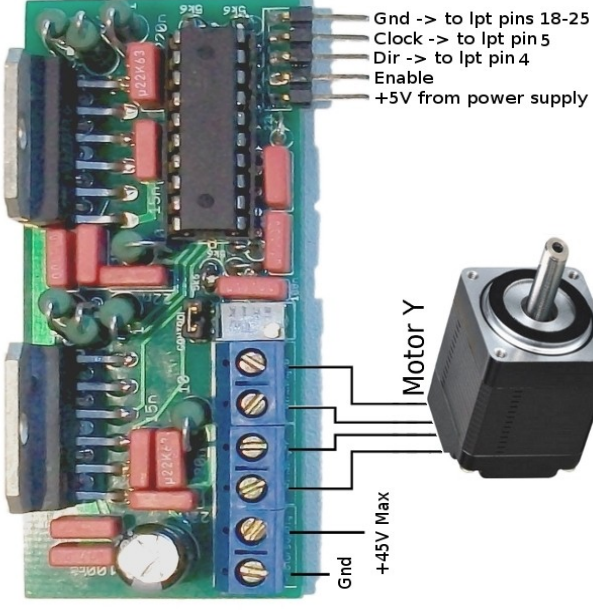
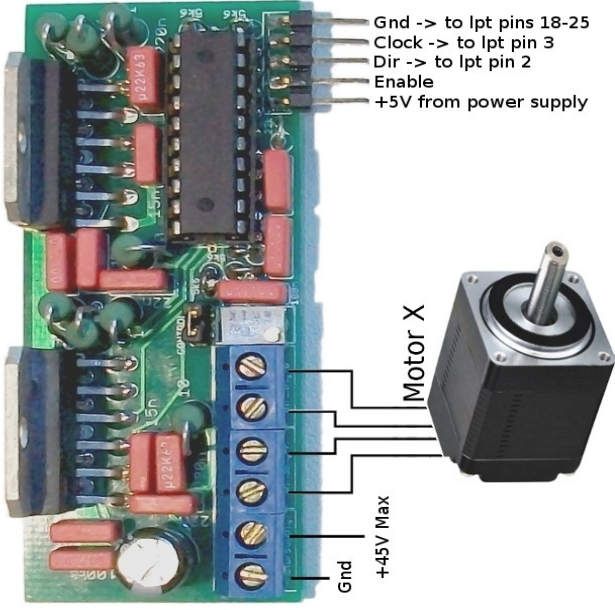
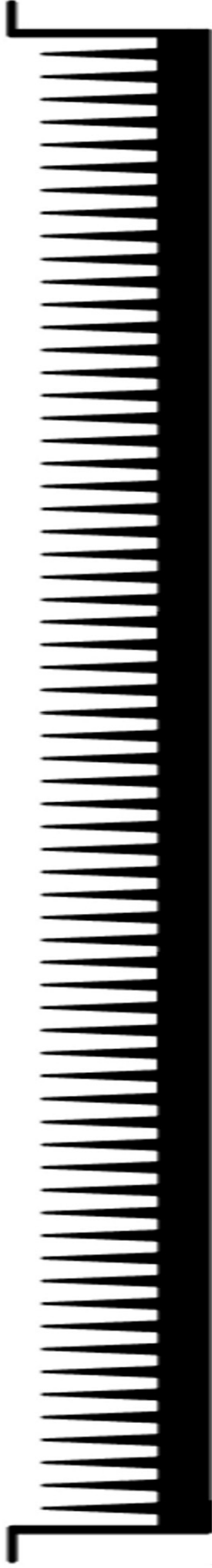
- Gnd
- V motor (max 45v)
- Motor Coil A
- Motor Coil B
- +5V
- Dir
- Gnd
- Enable
- Step

Inhibit chopping (closed)
 Phase chopping (open)
 (choose for best motor performance)

Adjust Vref for correct I motor
 Measure voltage on the pin 15 of L297 and adjust until you have
 the value that corresponds to your desired motor current
 $V_{ref} = I_{motor} * 0.33$



Minimal wiring for 3 axis cnc mill-router



- Enable input has an onboard pull-up resistor and can be left unconnected