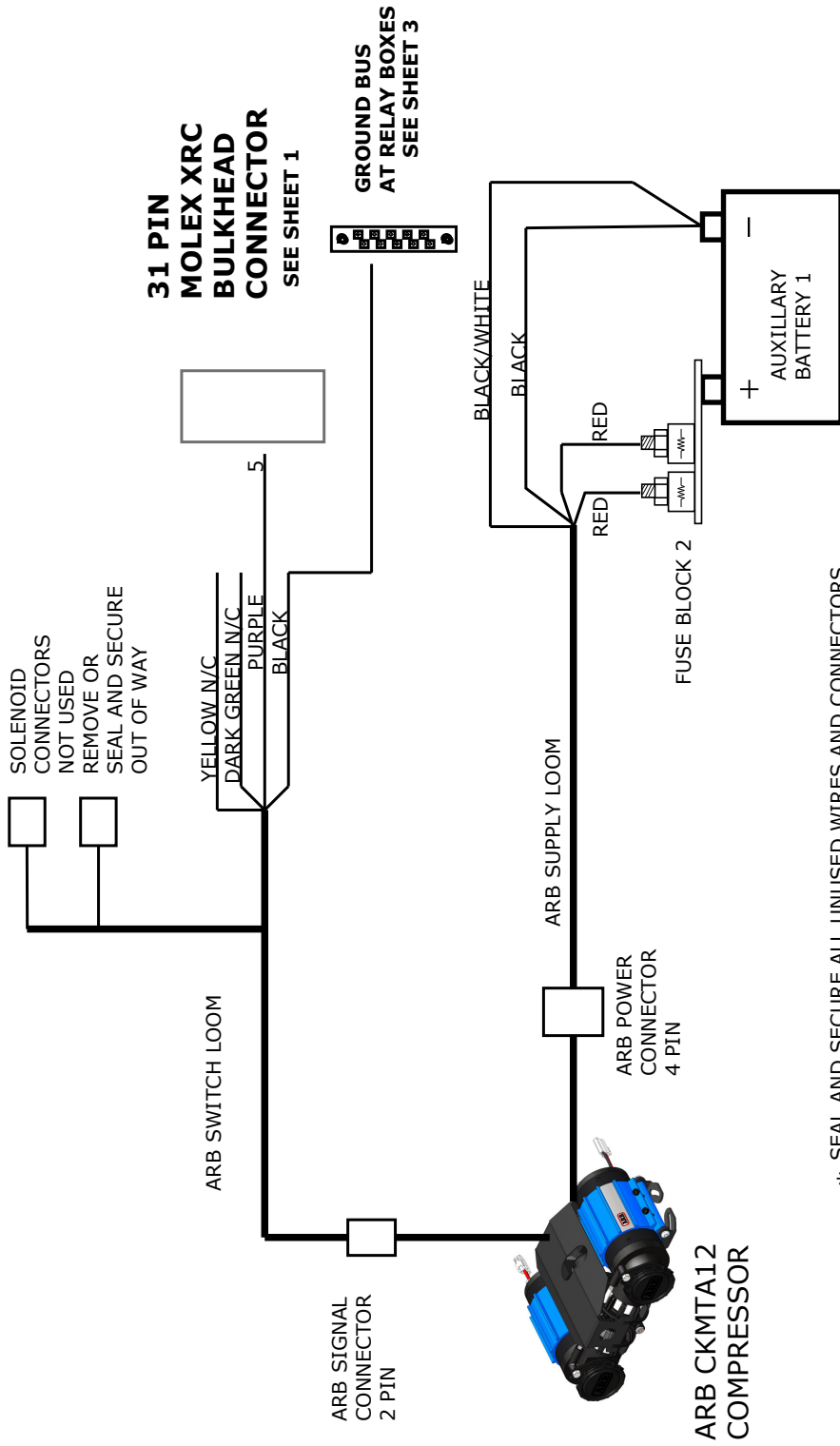


2005 EXCURSION 2011-12 MODIFICATIONS PROJECT

ARB CKMTA12 COMPRESSOR WIRING



- * SEAL AND SECURE ALL UNUSED WIRES AND CONNECTORS
- * N/C NOT CONNECTED
- * FUSE BLOCK 2 IS A BLUE SEA 2151 WITH 2 40 AMP MRBF FUSES USE 5/16 RING TERMINALS