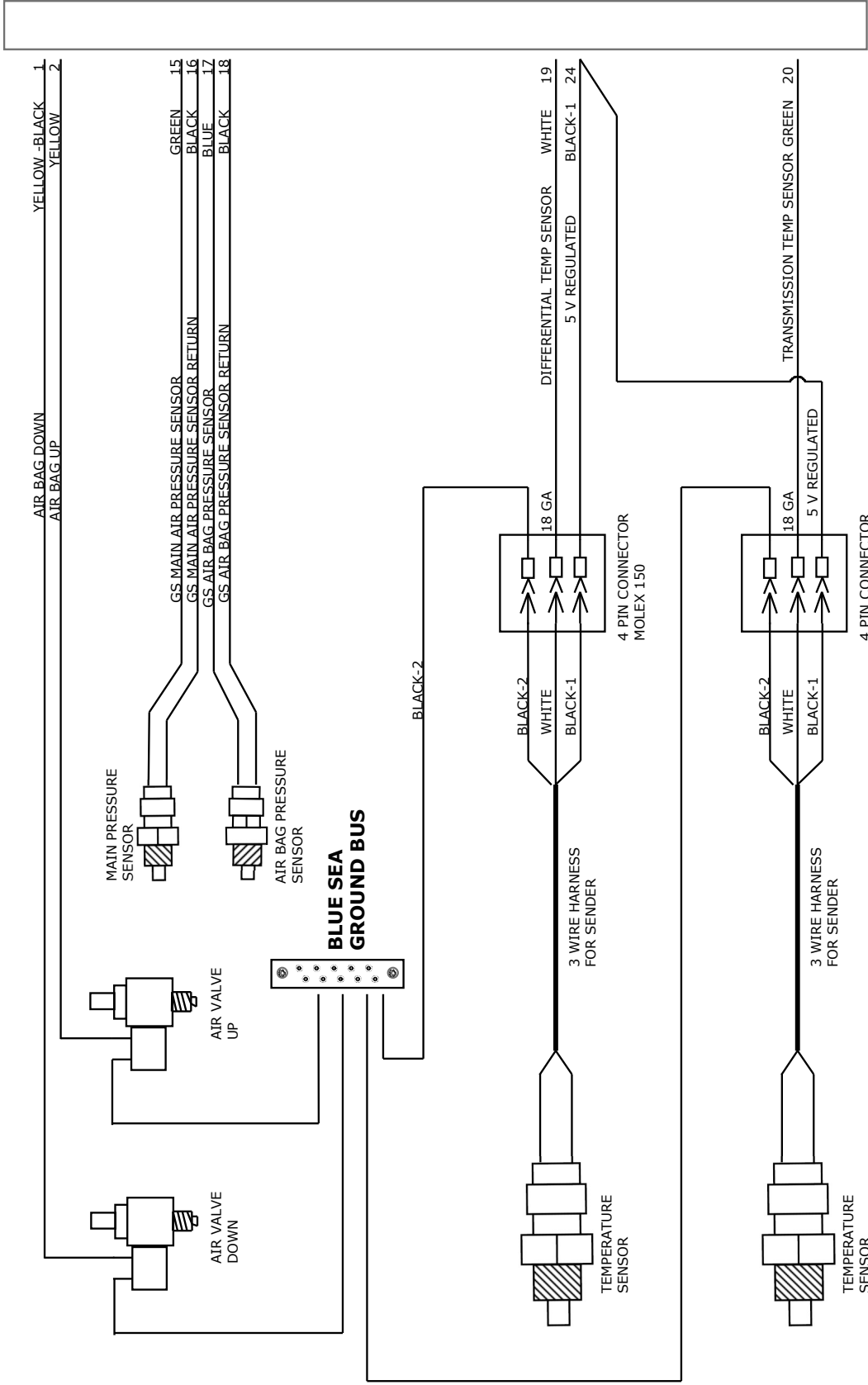


2005 EXCURSION 2011-12 MODIFICATIONS PROJECT

MISCELLANEOUS



31 pin
Molex XRC
bulkhead
connector
SEE SHEET 1

ALL WIRES 18 GAUGE UNLESS NOTED

MAKE WIRING FROM SENSOR TO THE BODY THE SAME GAUGE AS SENSOR
PIGTAIL. PROTECT THE WIRE WELL