

6-Speed Manual Clutch Release Bearing Squeak or Rattle Noise

Service Category Drivetrain

Section Manual Transmission/Transaxle

Market USA

Toyota Supports
 ASE Certification 

Applicability

YEAR(S)	MODEL(S)	ADDITIONAL INFORMATION
2007 – 2011	FJ Cruiser	Transmission(s): 6MT
2005 – 2011	Tacoma	Transmission(s): 6MT

Introduction

Some manual transmission equipped FJ Cruiser and V6 Tacoma vehicles may exhibit a squeak or rattle noise from the transmission area when the clutch pedal is released. Changes have been made to the clutch system to eliminate this noise. Follow the procedure in this bulletin to address this condition.

Warranty Information

OP CODE	DESCRIPTION	MODEL	TIME	OFF	T1	T2
TC1005	R & R Transmission to Replace Clutch Release Bearing, Fork Support, and Release Cylinder	FJ Cruiser	3.2	31230-602#0	91	43
		Tacoma (2WD)	2.8			
		Tacoma (4WD)	3.1			

APPLICABLE WARRANTY

- This repair is covered under the Toyota Powertrain Warranty. This warranty is in effect for 60 months or 60,000 miles, whichever occurs first, from the vehicle's in-service date.
- Warranty application is limited to occurrence of the specified condition described in this bulletin.

6-Speed Manual Clutch Release Bearing Squeak or Rattle Noise

Parts Information

MODEL	PREVIOUS PART NUMBER	CURRENT PART NUMBER	PART NAME	QTY
FJ Cruiser/ Tacoma	31230-60240	31230-60241	Clutch Release Bearing (Aisin)	1
	31230-60230	31230-60231	Clutch Release Bearing (Luk)	1
	31236-60060	31236-35050	Clutch Release Fork Support	1
FJ Cruiser	31470-60360	31470-60361	Clutch Release Cylinder	1
Tacoma	31470-35180	31470-35181		1

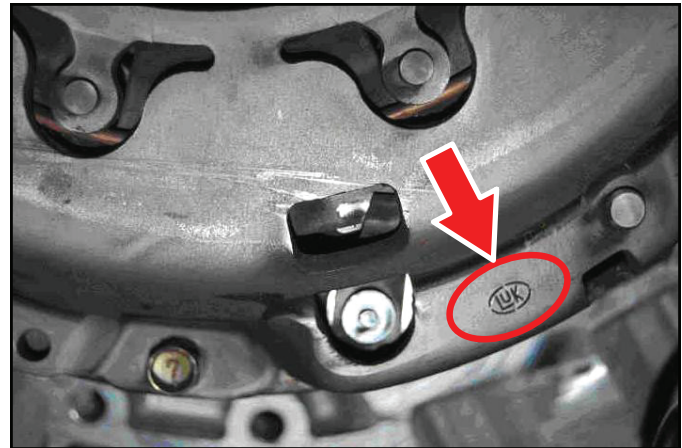
NOTE

FJ Cruiser and Tacoma vehicles can be equipped with either an Aisin or Luk clutch assembly. When performing this repair, be sure to order the clutch release bearing that matches the type of clutch cover in the vehicle. The clutch cover manufacturer is stamped on the outer edge of the clutch cover assembly as shown in Figures 1 and 2 below.

Figure 1.



Figure 2.



6-Speed Manual Clutch Release Bearing Squeak or Rattle Noise

Required Tools & Equipment

SPECIAL SERVICE TOOLS (SST)	PART NUMBER	QTY
Union Nut Wrench 10 mm	09023-00101	1

NOTE

Additional SSTs may be ordered by calling 1-800-933-8335.

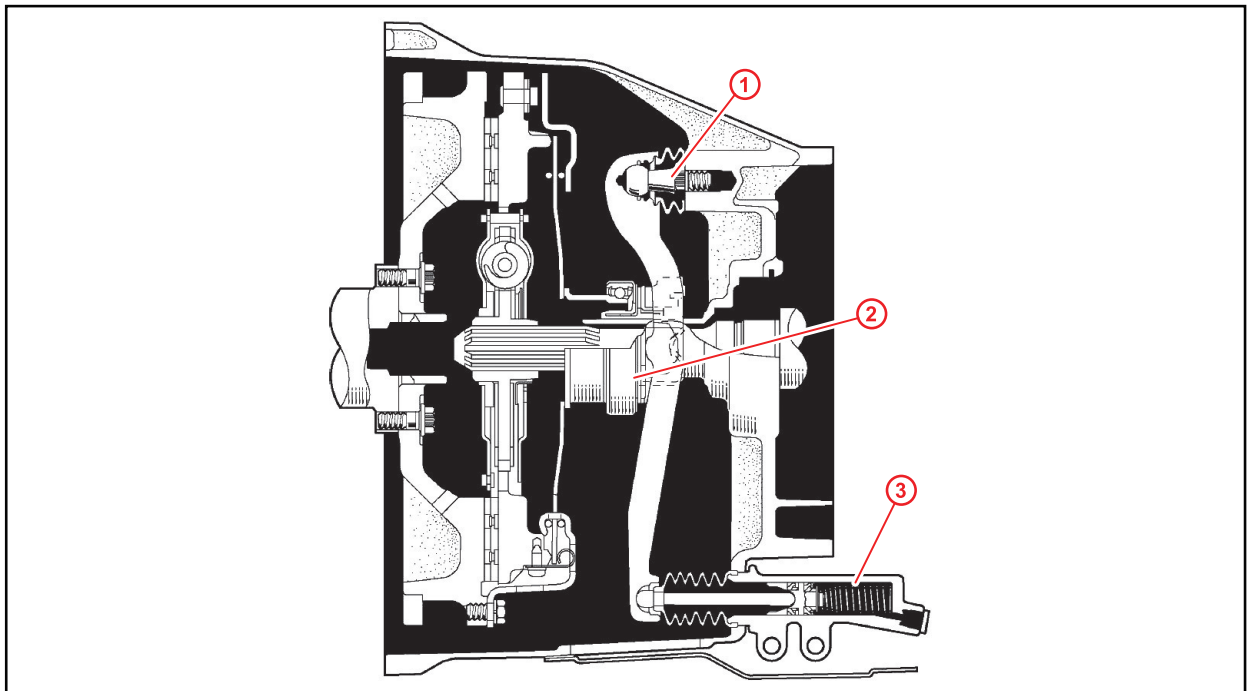
TOOLS & MATERIAL	QUANTITY
MP Grease (multi-purpose)	As Needed

6-Speed Manual Clutch Release Bearing Squeak or Rattle Noise

Repair Procedure Overview

1. Confirm that the noise is only present with the clutch pedal released, and goes away with the clutch pedal depressed.
2. Remove the transmission.
3. Replace the clutch release cylinder, clutch release fork support, clutch release bearing, and inspect the clutch cover.

Figure 3.



1	Clutch Release Fork Support
2	Clutch Release Bearing

3	Clutch Release Cylinder
----------	--------------------------------

4. Reinstall the transmission.
5. Test drive the vehicle and confirm the noise is no longer present.

6-Speed Manual Clutch Release Bearing Squeak or Rattle Noise

Repair Procedure

1. Confirm there is a squeak or rattle noise from the transmission assembly when the clutch pedal is fully released.
 - A. Is the noise coming from the transmission assembly?
 - **YES** — Go to question B.
 - **NO** — This TSB does NOT apply. Continue diagnosis to locate the source of the noise.
 - B. Does the noise go away when the clutch pedal is depressed?
 - **YES** — Go to step 2.
 - **NO** — This TSB does NOT apply. Continue diagnosis to locate the source of the noise.
2. Remove the clutch release cylinder, then the transmission assembly.

Refer to the Technical Information System (TIS), applicable model and model year Repair Manual:

- [2007](#) / [2008](#) / [2009](#) / [2010](#) / [2011](#) FJ Cruiser:
Drivetrain – Manual Transmission/Transaxle – “RA61F Manual Transmission: Manual Transmission Assembly: Removal”
- 2005 Tacoma:
Drivetrain – Manual Transmission/Transaxle – “Manual Transmission Unit Assy ([RA60](#)) / ([RA60F](#)): Replacement”
- 2006 Tacoma:
Drivetrain – Manual Transmission/Transaxle – “[RA60](#) / [RA60F](#) Manual Transmission: Manual Transmission Assembly: Removal”
- 2007 Tacoma:
Drivetrain – Manual Transmission/Transaxle – “[RA60](#) / [RA60F](#) Manual Transmission: Manual Transmission Assembly: Removal”
- 2008 Tacoma:
Drivetrain – Manual Transmission/Transaxle – “[RA60](#) / [RA60F](#) Manual Transmission: Manual Transmission Assembly: Removal”
- 2009 Tacoma:
Drivetrain – Manual Transmission/Transaxle – “[RA60](#) / [RA60F](#) Manual Transmission: Manual Transmission Assembly: Removal”
- 2010 Tacoma:
Drivetrain – Manual Transmission/Transaxle – “[RA60](#) / [RA60F](#) Manual Transmission: Manual Transmission Assembly: Removal”
- 2011 Tacoma:
Drivetrain – Manual Transmission/Transaxle – “[RA60](#) / [RA60F](#) Manual Transmission: Manual Transmission Assembly: Removal”

6-Speed Manual Clutch Release Bearing Squeak or Rattle Noise

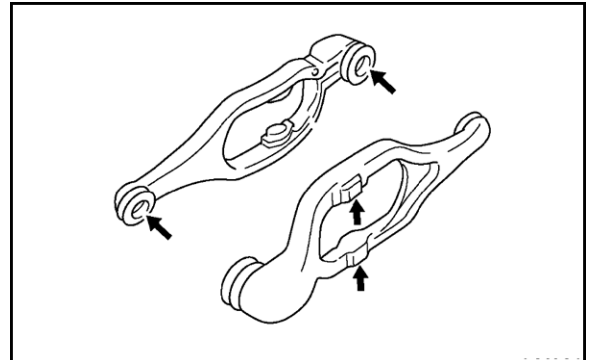
Repair Procedure (Continued)

3. Replace the clutch release fork support and clutch release bearing.

NOTE

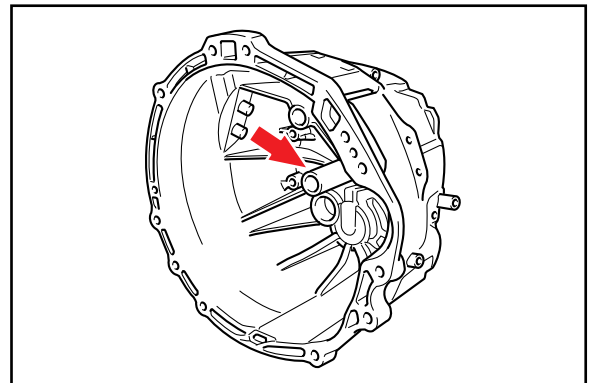
- Be sure to apply MP grease to the release fork and the release bearing assembly contact surfaces, release fork and pushrod contact surface, and release fork pivot point.

Figure 4.



- It is normal to see wear on the transmission input sleeve.

Figure 5.



Refer to TIS, applicable model and model year Repair Manual:

- 2007 FJ Cruiser:
Drivetrain – Clutch – “Clutch: Clutch Unit: [Removal](#) / [Installation](#)”
- 2008 FJ Cruiser:
Drivetrain – Clutch – “Clutch: Clutch Unit: [Removal](#) / [Installation](#)”
- 2009 FJ Cruiser:
Drivetrain – Clutch – “Clutch: Clutch Unit: [Removal](#) / [Installation](#)”
- 2010 FJ Cruiser:
Drivetrain – Clutch – “Clutch: Clutch Unit: [Removal](#) / [Installation](#)”
- 2011 FJ Cruiser:
Drivetrain – Clutch – “Clutch: Clutch Unit: [Removal](#) / [Installation](#)”

6-Speed Manual Clutch Release Bearing Squeak or Rattle Noise

Repair Procedure (Continued)

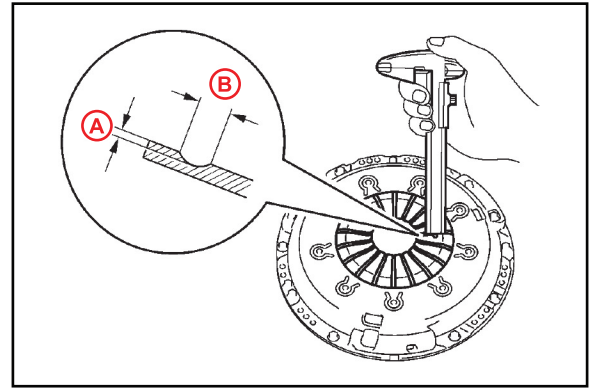
- 2005 Tacoma:
Drivetrain – Clutch – “Clutch Unit (Ra60/Ra60f): [Overhaul](#)”
- 2006 Tacoma:
Drivetrain – Clutch – “Clutch: Clutch Unit (for RA60): [Removal](#) / [Installation](#)”
- 2006 Tacoma:
Drivetrain – Clutch – “Clutch: Clutch Unit (for RA60F): [Removal](#) / [Installation](#)”
- 2007 Tacoma:
Drivetrain – Clutch – “Clutch: Clutch Unit (for RA60): [Removal](#) / [Installation](#)”
- 2007 Tacoma:
Drivetrain – Clutch – “Clutch: Clutch Unit (for RA60F): [Removal](#) / [Installation](#)”
- 2008 Tacoma:
Drivetrain – Clutch – “Clutch: Clutch Unit (for RA60): [Removal](#) / [Installation](#)”
- 2008 Tacoma:
Drivetrain – Clutch – “Clutch: Clutch Unit (for RA60F): [Removal](#) / [Installation](#)”
- 2009 Tacoma:
Drivetrain – Clutch – “Clutch: Clutch Unit (for RA60): [Removal](#) / [Installation](#)”
- 2009 Tacoma:
Drivetrain – Clutch – “Clutch: Clutch Unit (for RA60F): [Removal](#) / [Installation](#)”
- 2010 Tacoma:
Drivetrain – Clutch – “Clutch: Clutch Unit (for RA60): [Removal](#) / [Installation](#)”
- 2010 Tacoma:
Drivetrain – Clutch – “Clutch: Clutch Unit (for RA60F): [Removal](#) / [Installation](#)”
- 2011 Tacoma:
Drivetrain – Clutch – “Clutch: Clutch Unit (for RA60): [Removal](#) / [Installation](#)”
- 2011 Tacoma:
Drivetrain – Clutch – “Clutch: Clutch Unit (for RA60F): [Removal](#) / [Installation](#)”

6-Speed Manual Clutch Release Bearing Squeak or Rattle Noise

Repair Procedure (Continued)

4. Inspect the clutch cover assembly for wear, and replace the clutch cover assembly if wear is excessive. Confirm clutch cover finger heights are even.

Figure 6.



A	0.5 mm (0.020 in.)
B	6.0 mm (0.236 in.)

5. Install the NEW clutch release cylinder and transmission assembly.

Refer to TIS, applicable model and model year Repair Manual:

- [2007](#) / [2008](#) / [2009](#) / [2010](#) / [2011](#) FJ Cruiser:
Drivetrain – Manual Transmission/Transaxle – “RA61F Manual Transmission: Manual Transmission Assembly: Installation”
- 2005 Tacoma:
Drivetrain – Manual Transmission/Transaxle – “Manual Transmission Unit Assy ([RA60](#)) / ([RA60F](#)): Replacement”
- 2006 Tacoma:
Drivetrain – Manual Transmission/Transaxle – “[RA60](#) / [RA60F](#) Manual Transmission: Manual Transmission Assembly: Installation”
- 2007 Tacoma:
Drivetrain – Manual Transmission/Transaxle – “[RA60](#) / [RA60F](#) Manual Transmission: Manual Transmission Assembly: Installation”
- 2008 Tacoma:
Drivetrain – Manual Transmission/Transaxle – “[RA60](#) / [RA60F](#) Manual Transmission: Manual Transmission Assembly: Installation”
- 2009 Tacoma:
Drivetrain – Manual Transmission/Transaxle – “[RA60](#) / [RA60F](#) Manual Transmission: Manual Transmission Assembly: Installation”
- 2010 Tacoma:
Drivetrain – Manual Transmission/Transaxle – “[RA60](#) / [RA60F](#) Manual Transmission: Manual Transmission Assembly: Installation”

6-Speed Manual Clutch Release Bearing Squeak or Rattle Noise

Repair Procedure (Continued)

- 2011 Tacoma:
Drivetrain – Manual Transmission/Transaxle – [“RA60 / RA60F Manual Transmission: Manual Transmission Assembly: Installation”](#)
6. Test drive the vehicle and confirm the noise is eliminated.