



Polaris Ranger

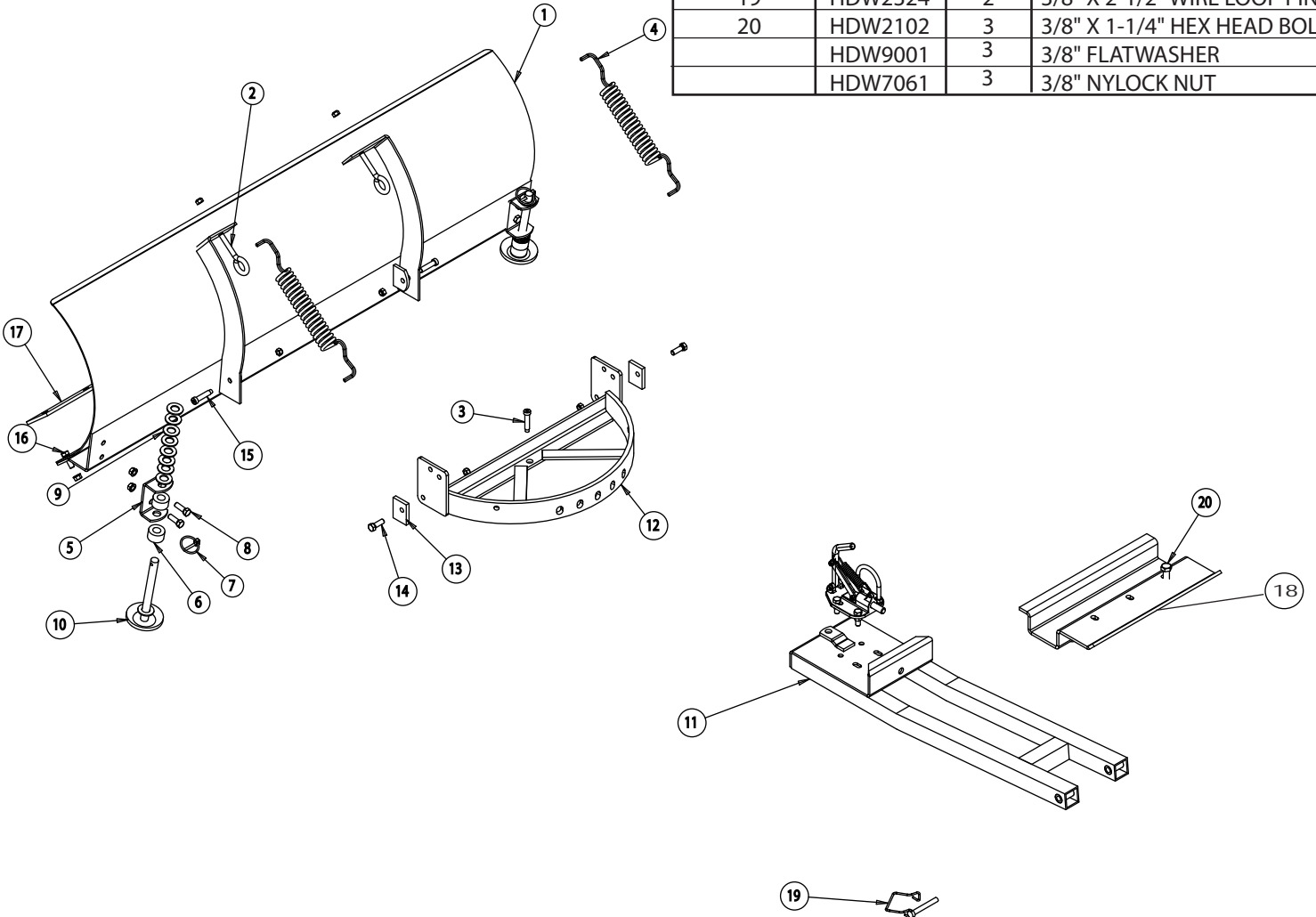
BLADE HARDWARE
MOUNTING INSTRUCTIONS

M91-96801

**CUSTOMER MUST RECEIVE A COPY
OF THIS INSTRUCTION SHEET AT
THE TIME OF SALE**

**FOR QUESTIONS OR COMMENTS CALL:
1-800-267-8680**

Location	Part #	Qty.	Description
1	2552	1	50" BLADE
	2560	1	OPTIONAL 60" BLADE
2	HDW2117	2	3/8" X 6" EYE BOLT
	HDW7061	2	3/8" NYLOCK NUT
3	HDW2162	1	1/2 X 3/4" SHOULDER BOLT
	HDW9025	1	1/2" FLAT WASHER
	HDW7061	1	3/8" NYLOCK NUT
4	HDW2369	2	SPRING 805972
5	FG2590	2	SKID BRACKET
6	HDW2356	4	1.3" X 5/8" X 3" SPACER
7	HDW2315	2	3/16" X 1-1/4" LYNCH PIN
8	HDW2106	4	3/8" X 3/4" HEX HEAD BOLT
9	HDW9005	18	5/8" FLAT WASHER
10	FG2592	2	SKID
11	KD61	1	PUSH TUBE RUNNER
12	KD60	1	BLADE SWIVEL
13	FG2417	2	BLADE HINGE ADJUSTING STOP
14	HDW2100	2	3/8" X 1" HEX HEAD BOLT
	HDW7061	2	3/8" NYLOCK NUT
15	HDW2161	2	3/8" X 3/4" SHOULDER BOLT
	HDW7058	2	5/16" NYLOCK NUT
16	HDW2064	7	5/16" X 1" CARRIAGE BOLT
	HDW7056	7	5/16" WHIZ NUT
17	2568	1	50" WEAR BAR
	2570	1	60" WEAR BAR
18	2698-70	1	BOTTOM MOUNT
19	HDW2324	2	3/8" X 2-1/2" WIRE LOOP PIN
20	HDW2102	3	3/8" X 1-1/4" HEX HEAD BOLT
	HDW9001	3	3/8" FLATWASHER
	HDW7061	3	3/8" NYLOCK NUT



DUE TO INCREASED PACKAGING EFFICIENCY, SOME PROIR ASSEMBLY IS REQUIRED BEFORE MOUNTING THE PLOW BLADE TO THE ATV.

ALL DIRECTIONS REFERRING TO THE RIGHT AND LEFT SIDES ARE WHEN THE OPERATOR IS SEATED ON THE ATV

- A. REMOVE THE 1/2" SHOULDER BOLT, 1/2" FLAT WASHER AND 3/8" NYLOCK NUT (3) FROM THE HARDWARE BAG
- B. TAKE THE BLADE SWIVEL (11) AND INSTALL IT TO THE FRONT OF THE PUSH TUBE RUNNER (10) AS IN **DIAGRAM #1** AND INSTALL THE 1/2" SHOULDER BOLT, 1/2" FLAT WASHER AND 3/8" NYLOCK NUT (3), MAKING SURE THE FLATWASHER SEATS PROPERLY AROUND THE BOTTOM OF THE 1/2" SHOULDER BOLT WHILE TIGHTENING THE 3/8" NYLOCK NUT. MAKE SURE THE BLADE SWIVEL (11) TURNS FREELY.
- C. TAKE THE BLADE POSITION HANDLE/PIN ASSEMBLY AND REMOVE THE BOTTOM 3/8" WHIZ NUTS FROM THE U-BOLT (D) AND THE 3/8" X 3/4" BOLTS (H) THAT ARE INSTALLED IN THE BLADE POSITION PIN BRACKET (G), MAKING SURE TO LEAVE THE TOP 3/8" WHIZ NUTS THREADED ON THE U-BOLTS.
- D. NOW PLACE THE BLADE POSITION HANDLE/PIN ASSEMBLY DOWN ON THE PUSH TUBE RUNNER, SLIDING THE BLADE POSITION PIN THROUGH ONE OF THE BLADE POSITION HOLES ON THE SWIVEL (11) AND THROUGH THE REAR BLADE POSITION PIN SUPPORT AS IN **DIAGRAM #1**.
- E. INSTALL THE 3/8" X 2" X 3" U-BOLT (D) PER **DIAGRAM #1**. INSTALL THE TWO 3/8" WHIZ NUTS UNTIL THEY ARE FLUSH WITH THE BOTTOM OF THE 3/8" X 2" X 3" U-BOLT (D). NOW, INSTALL TWO 3/8" WHIZ NUTS (H) TO THE TWO 3/8" X 3/4" BOLTS (H) THAT HOLD THE BLADE POSITION PIN BRACKET (G) AND TIGHTEN. THEN, TIGHTEN THE TWO TOP 3/8" WHIZ NUTS DOWN ON THE U-BOLTS, MAKING SURE THE 3/8" WHIZ NUTS REMAIN FLUSH WITH THE BOTTOMS OF THE U-BOLTS.
- F. SEE **DIAGRAM #2** FOR COMPLETED ASSEMBLY. WORK BLADE POSITION HANDLE/PIN BACK AND FORTH WHILE TURNING SWIVEL (11), MAKING SURE EVERYTHING WORKS SMOOTHLY.

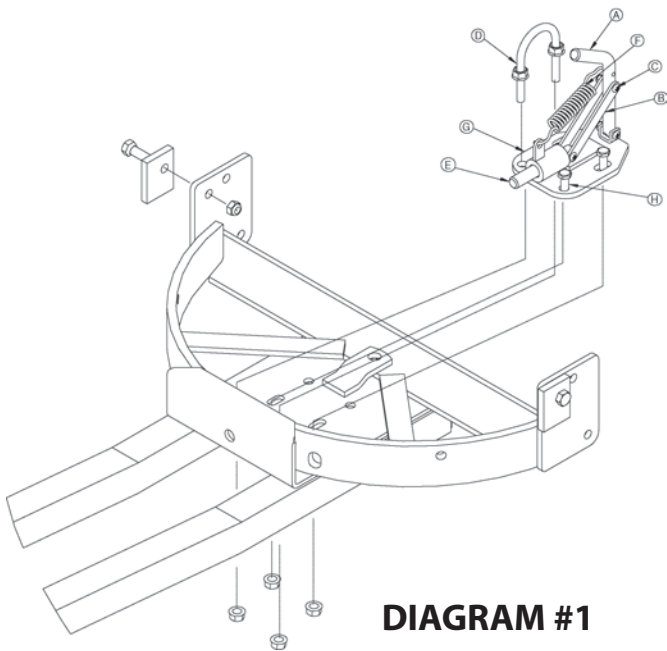


DIAGRAM #1

Location	Part #	Qty.	Description
A	FG2418	1	BLADE POSITION HANDLE
B	FG2420	2	BLADE POSITION HANDLE/PIN STRAPS
C	HDW2237	3	#8 X 1" PHILLIPS SCREW STAINLESS
	HDW7088	3	#8 NYLOCK NUT STAINLESS
D	HDW2145	1	3/8" X 2" X 3" U-BOLT
	HDW7060	4	3/8" WHIZ NUT
E	FG2419	1	1/2" X 3-1/4" BLADE POSITION PIN
F	HDW2367	1	BLADE POSITION PIN SPRING
G	FG2416	1	BLADE POSITION PIN BRACKET
H	HDW2106	2	3/8" X 3/4" HEX BOLT
	HDW7060	2	3/8" WHIZ NUT

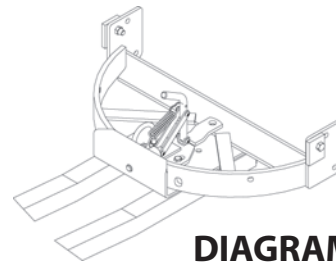


DIAGRAM #2

- A. REMOVE THE TWO 3/8" SHOULDER BOLTS (14) FROM THE BACK OF THE BLADE (1). INSTALL THE BLADE ON THE SWIVEL (11) BY SANDWICHING THE BLADE PIVOT POINT BRACKETS AROUND THE BLADE SWIVEL EARS LOCATED ON EACH SIDE OF THE SWIVEL (11). INSTALL TWO 3/8" SHOULDER BOLTS (14) AND 5/16" NYLOCK NUTS AND TIGHTEN.
- B. HOOK THE BLADE SPRINGS (4) TO EACH SIDE OF THE SWIVEL (11) THROUGH THE BLADE SPRING ATTACHING HOLES. PLACE THE 3/8" EYEBOLT (2) ON THE END OF THE BLADE SPRING (4) AND PULL THE EYEBOLT THROUGH THE SPRING ATTACHING POINT ON THE BACK OF THE BLADE AND INSTALL A 3/8" NYLOCK NUT (2). SPRING TENSION MAY BE STIFFENED BY TIGHTENING THE 3/8" NYLOCK NUTS ON THE EYEBOLTS.
- C. THE BLADE SWIVEL ADJUSTING STOPS (17) ON EACH SIDE OF THE BLADE SWIVEL (16) ALLOW YOU TO CHANGE THE PITCH OF THE BLADE. ROTATING THE STOPS ALLOW YOU TO CUSTIMIZE THE BLADE PITCH TO CHANGING CONDITIONS AND MATERIAL.

POLARIS RANGER 4X4

BLADE HARDWARE MOUNTING INSTRUCTIONS

ALL DIRECTIONS REFERRING TO THE RIGHT AND LEFT SIDES ARE WHEN THE OPERATOR IS SEATED ON THE ATV.

1. ATTACHING THE PUSH TUBE RUNNER REAR ATTACHING BRACKET.

1.1 REMOVE THE BOTTOM THREE BUMPER BOLTS AND INSTALL REAR ATTACHING BRACKET(18) USING THREE 3/8" X 1-1/4" HEX BOLTS, THREE 3/8" FLAT WASHERS, AND THREE 3/8" NYLOCK NUTS(20).

2. INSTALLING THE BLADE AND PUSH TUBE RUNNER ASSEMBLY TO THE ATV.

2.1 SLIDE THE BLADE/PUSH TUBE RUNNER ASSEMBLY UNDER THE ATV. LIFT THE REAR OF THE ASSEMBLY UP AND ALIGN THE HOLES IN THE REAR ATTACHING BRACKET EARS AND THE PUSH TUBE RUNNERS AND INSTALL THE 3/8" WIRE LOOP PIN (19).

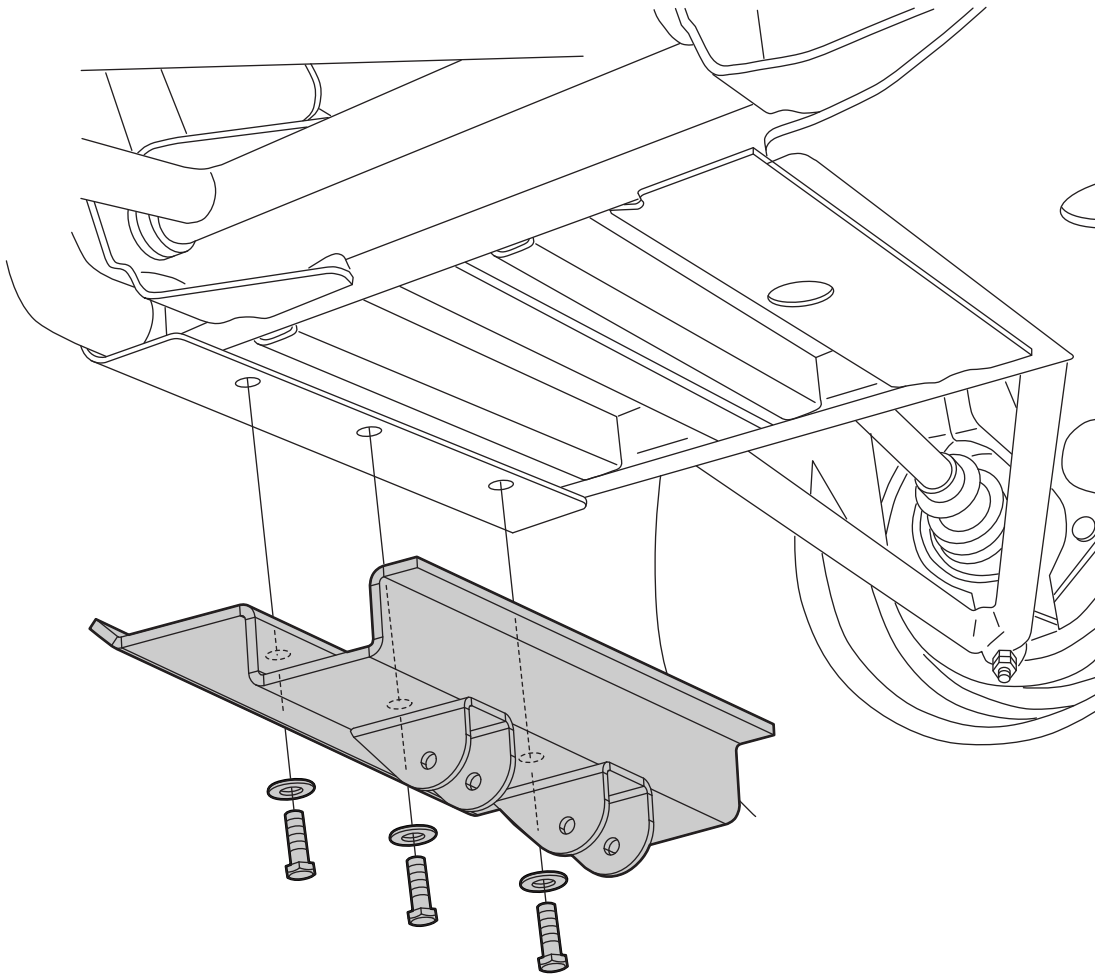


DIAGRAM #3