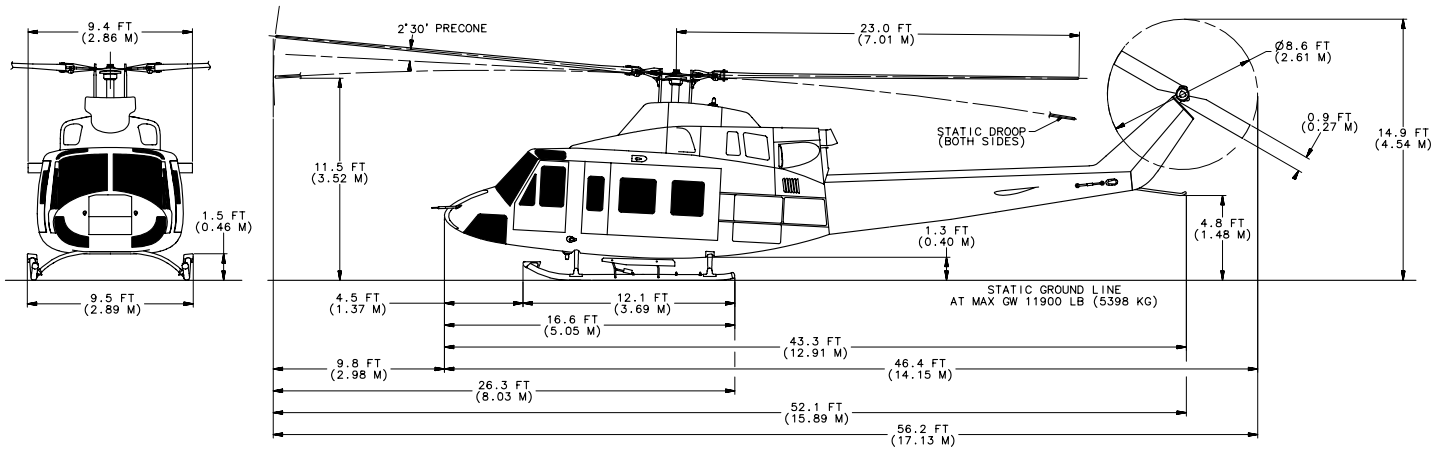
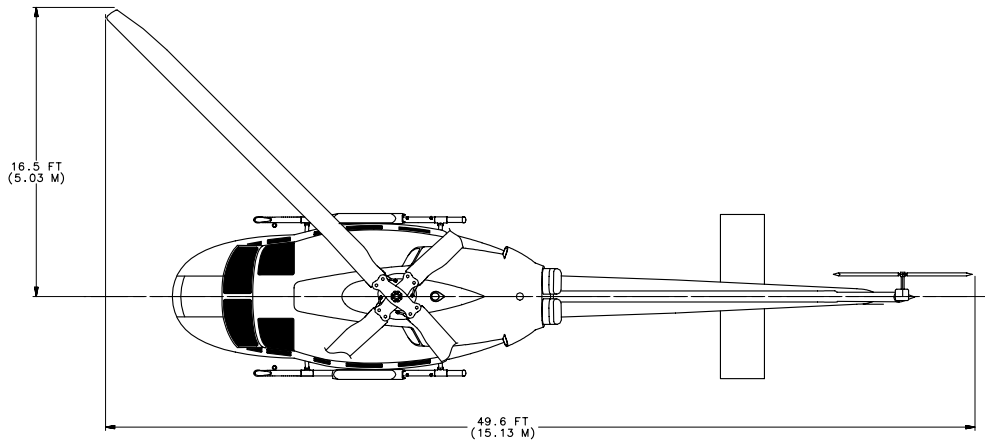


# Bell 412 Heliport Design Data and Dimensions

412  
STANDARD GEAR



LANDING GEAR LOADING AT MAXIMUM GROSS WEIGHT (11,900-POUNDS),  
BASED ON 1G STATIC CONDITIONS AT AFT-MOST STRUCTURAL CG LIMIT

Gear Type	Loading (lb)		Contact Area (in <sup>2</sup> )		Contract Pressure (lb/in <sup>2</sup> )	
	Forward	Aft	Forward	Aft	Forward	Aft
Standard Skid	2356	9544	24.0 x 2.0	24.0 x 2.0	49	199
High Skid	2386	9514	24.0 x 2.0	24.0 x 2.0	50	199
Emergency Floats	2486	9514	24.0 x 2.0	24.0 x 2.0	50	199