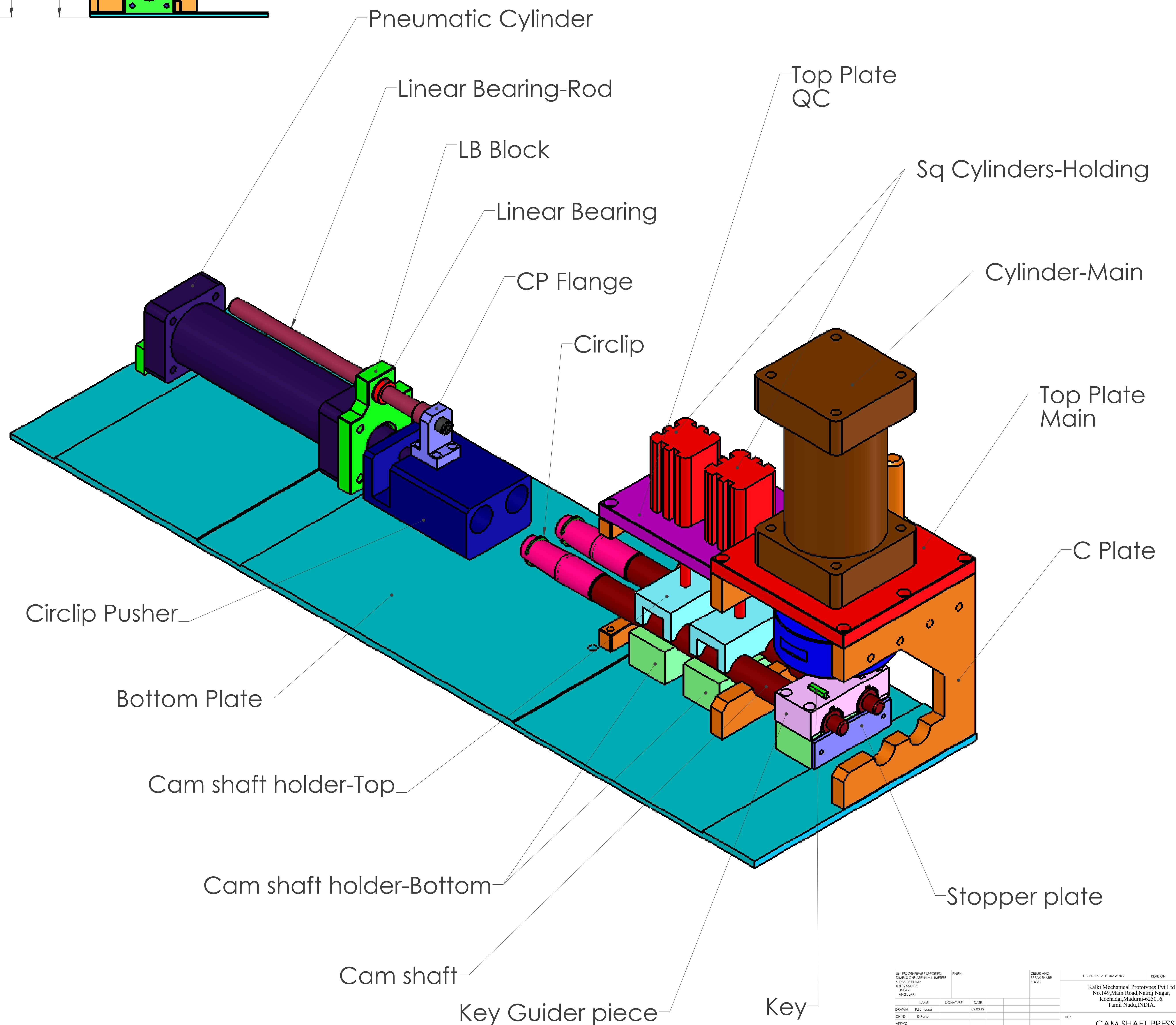
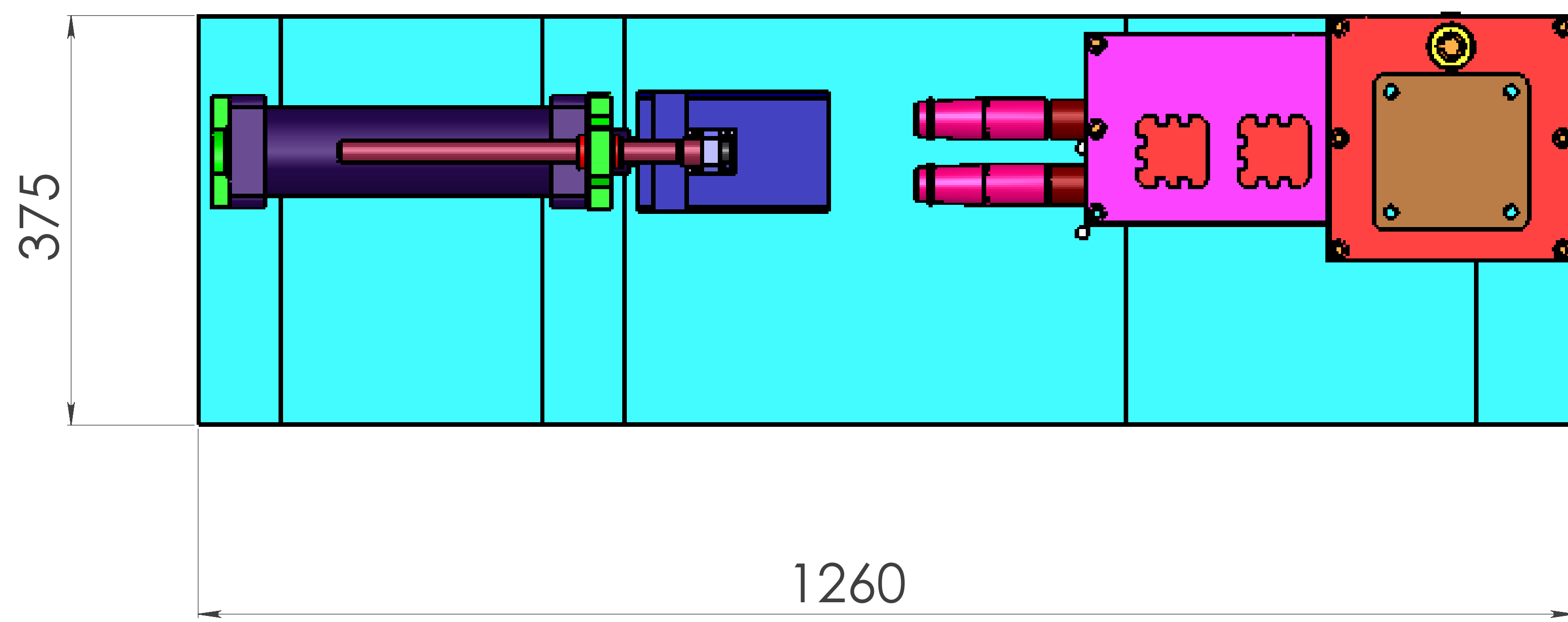
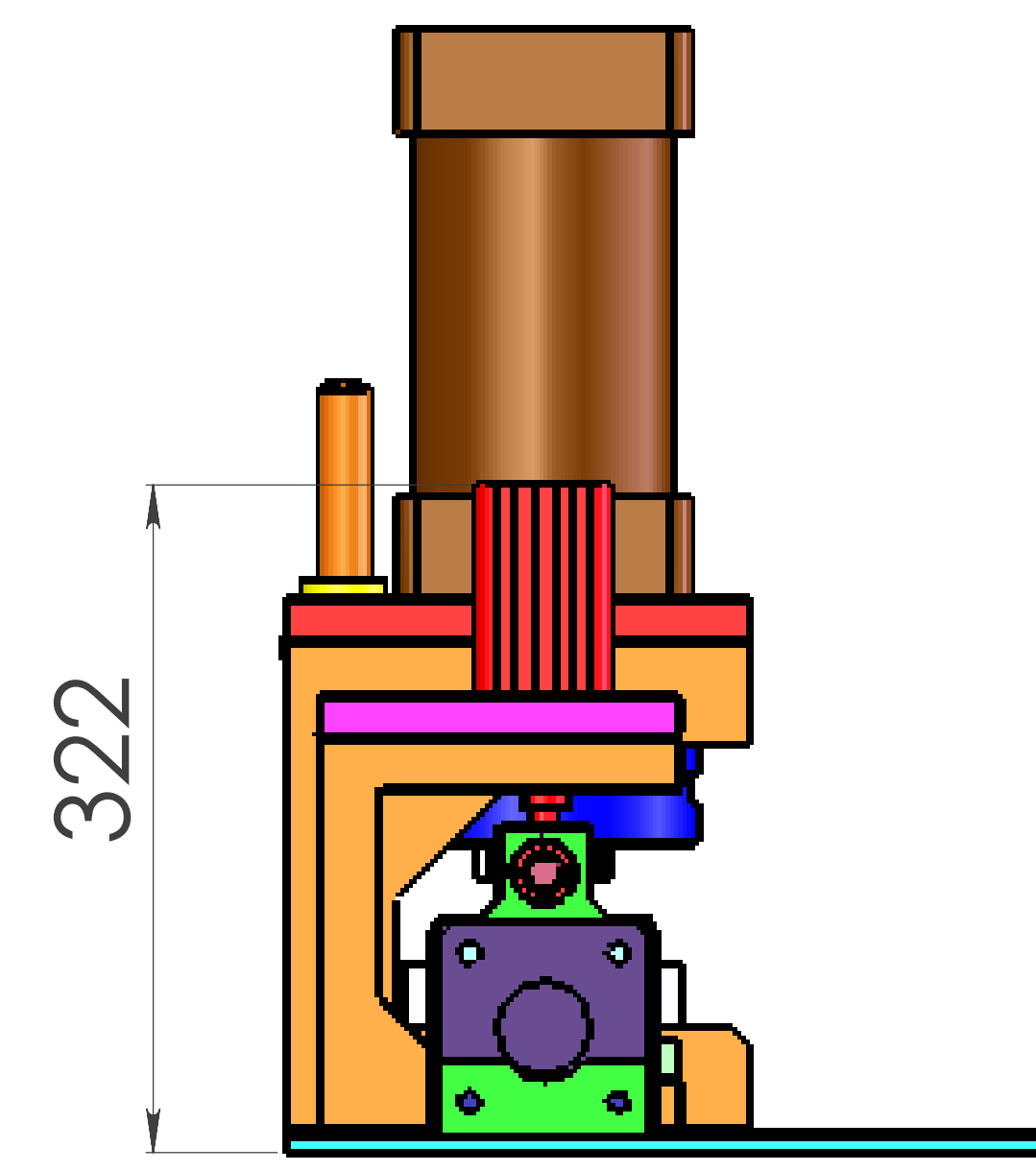
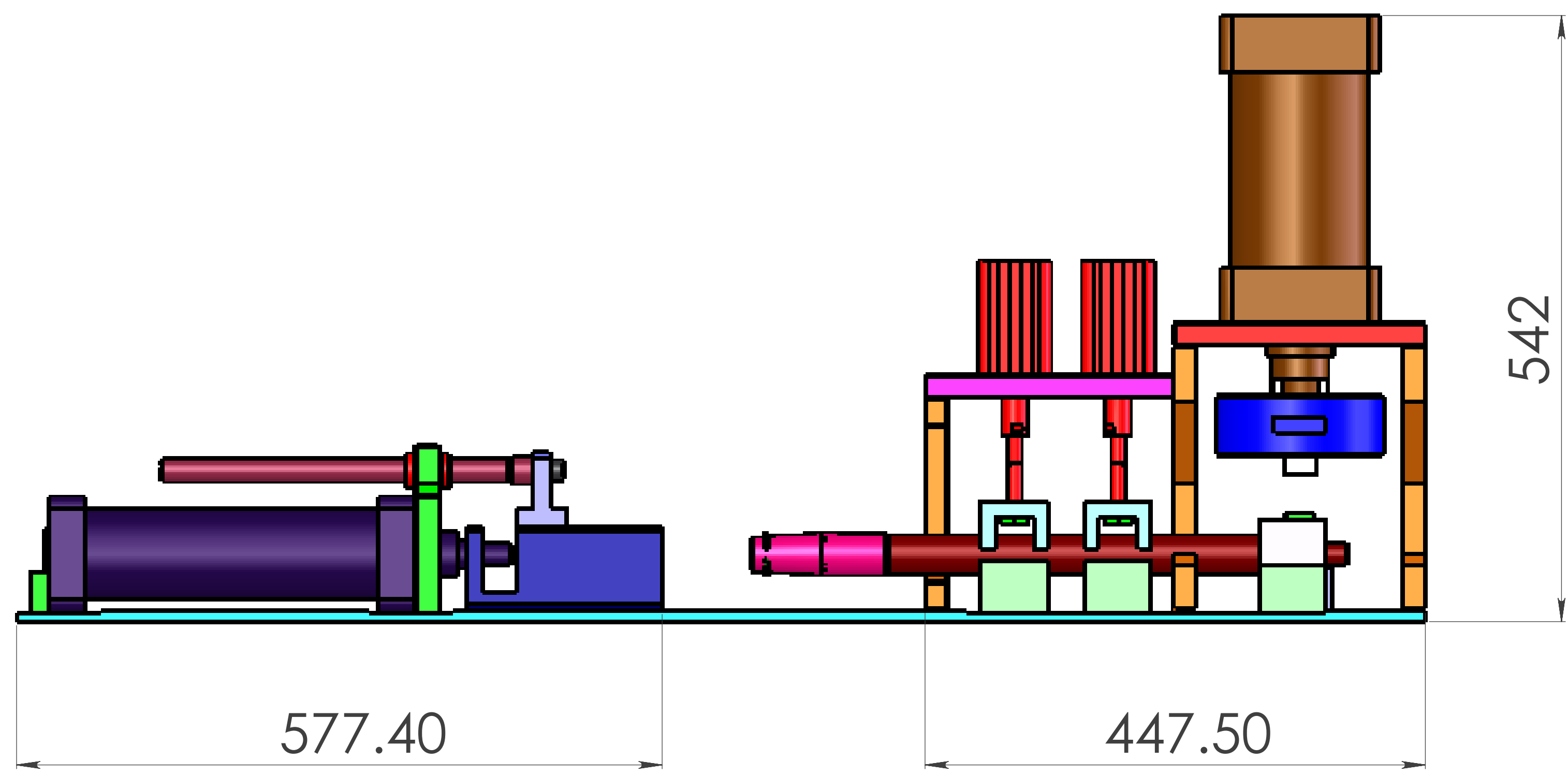


CAM SHAFT PRESS



DATE	DESCRIPTION	BY	CHECKED	DATE	SCALE
02.12.20	DESIGN
...

DEVELOPER SPECIFIED: DIMENSIONS ARE IN MILLIMETERS UNLESS OTHERWISE SPECIFIED SURFACE FINISH UNLESS OTHERWISE SPECIFIED	DO NOT SCALE DRAWING REVISION Kalki Mechanical Prototypes Pvt Ltd No. 189 Main Road, Narasimharajapuram, Kochadai, Madurai-625016, Tamil Nadu, INDIA
DRAWN: P. SURESH CHECKED: ... APPROVED: ... MTD: ... DSA: ...	TITLE: CAM SHAFT PRESS DWG NO: KMPCSA001 SCALE: 1:1 SHEET 1 OF 1