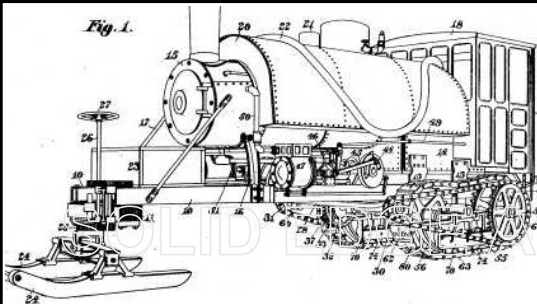
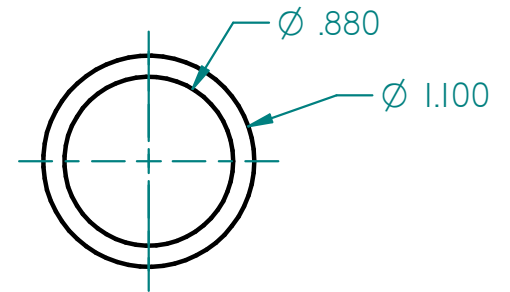
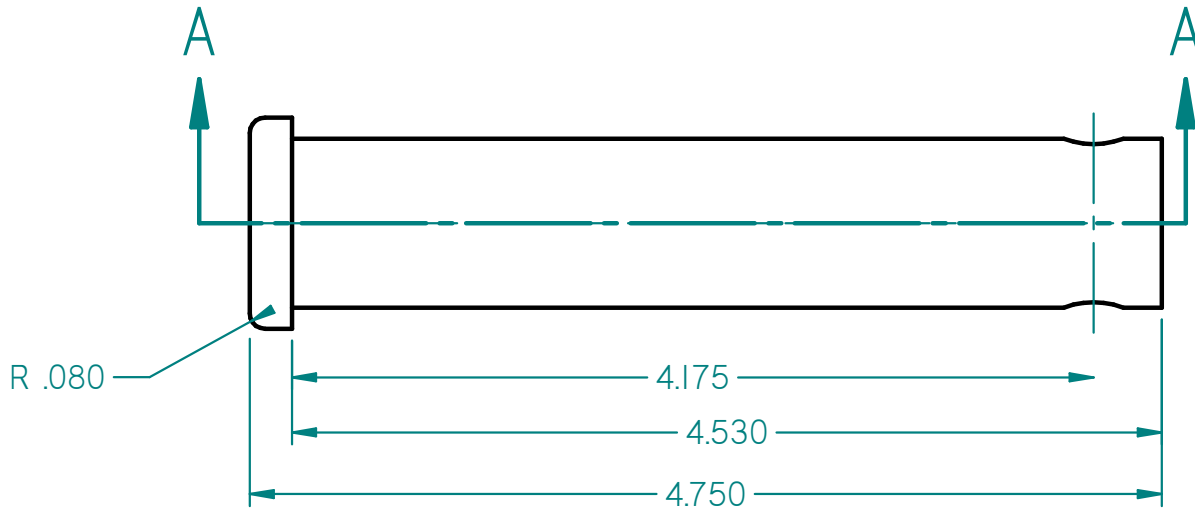


SECTION A-A



MET
Lombard
Steam
Log Hauler

DRAWN BY	DATE	TITLE		7/8 CHAIN PIN 337
J SCHAROLD	02/28/13	DWG NO		
UNLESS OTHERWISE SPECIFIED DIMENSIONS ARE IN INCHES ANGLES ±XX° 2 PL ±XXX 3 PL ±XXXX		SIZE	MATERIAL	REV
		A	STEEL	
		FILE NAME: Chain Pin 337.dft		
		SCALE: 1:1		SHEET 1 OF 1