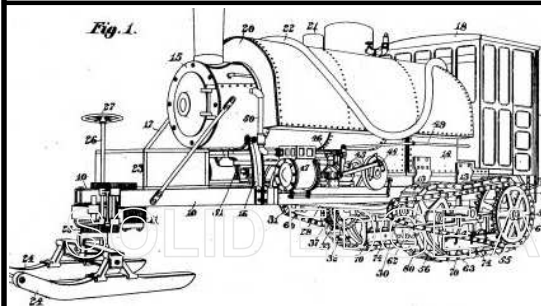


SECTION A-A



**MET**  
**Lombard**  
**Steam**  
**Log Hauler**

DRAWN BY	DATE	TITLE	
B LISCOMB	02/28/13	Cylinder head head end 49	
UNLESS OTHERWISE SPECIFIED DIMENSIONS ARE IN INCHES ANGLES $\pm XX^\circ$ 2 PL $\pm XXX$ 3 PL $\pm XXXX$		SIZE	MATERIAL
		A	Cast Steel
		REV	
		FILE NAME: Cylinder head head end 49.dft	
		SCALE: 1:4	SHEET 1 OF 1