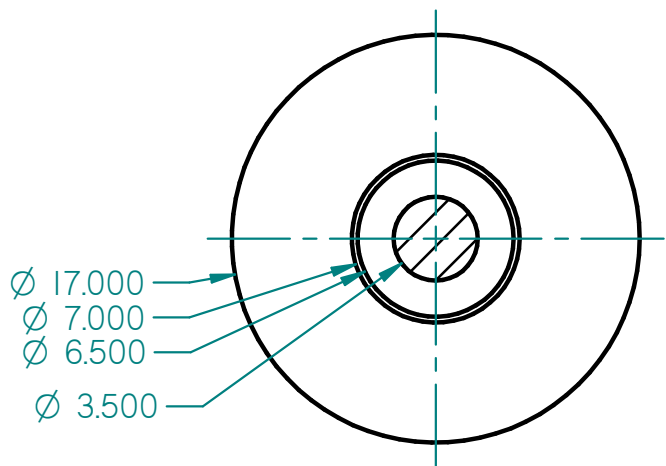
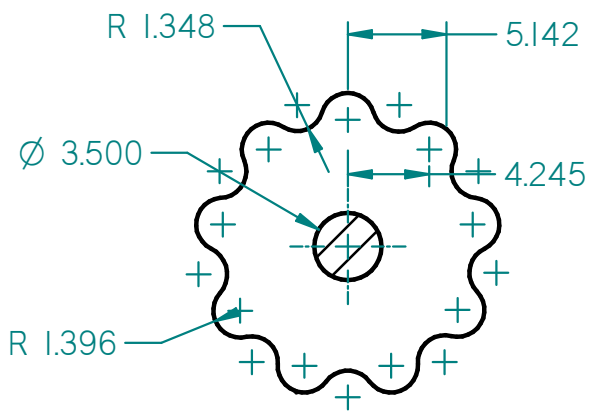
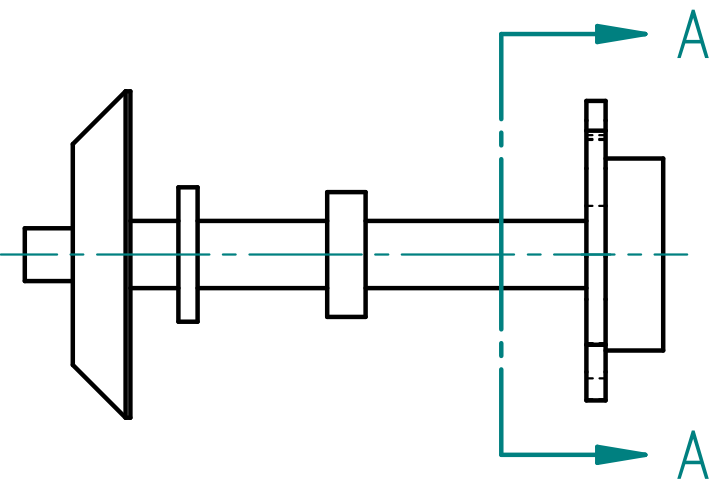
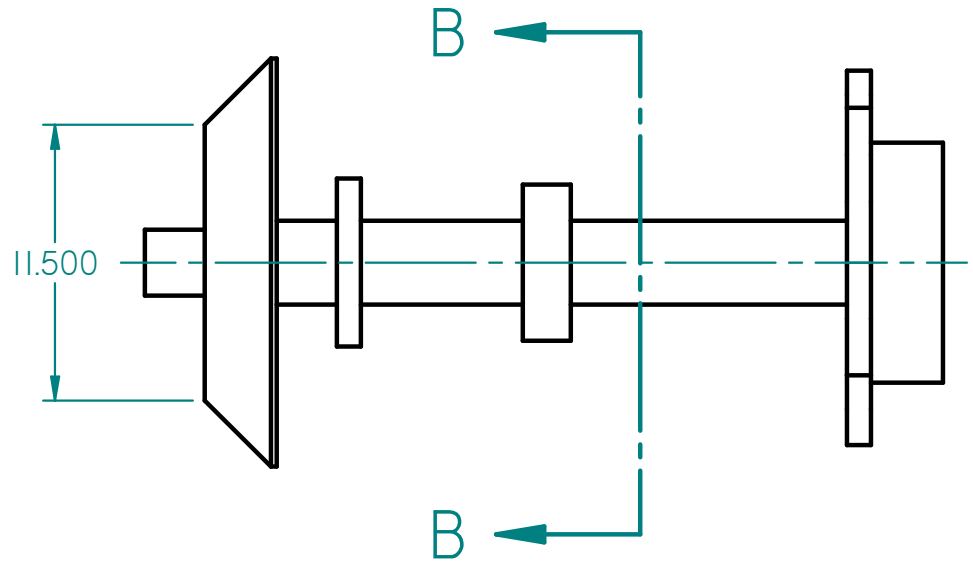


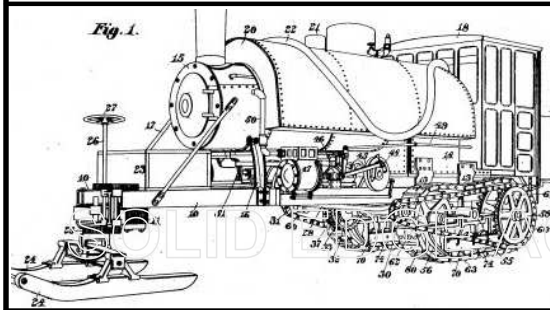
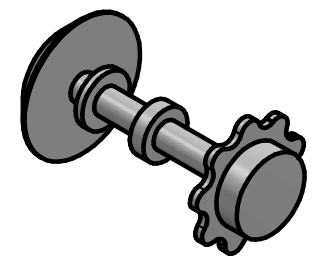
DRAWN BY	DATE	TITLE Diff output shaft 34I	
J. SCHAROLD	02/28/13	DWG NO	
UNLESS OTHERWISE SPECIFIED DIMENSIONS ARE IN INCHES ANGLES ±XX° 2 PL ±XXX 3 PL ±XXXX		SIZE A	MATERIAL STEEL
		REV	
		FILE NAME: diff output shaft 34I.dft	
		SCALE: 1:4	SHEET 1 OF 2



SECTION B-B



SECTION A-A



MET
Lombard
Steam
Log Hauler

DRAWN BY	DATE	TITLE Diff output shaft 34I	
J. SCHAROLD	02/28/13	DWG NO	
UNLESS OTHERWISE SPECIFIED DIMENSIONS ARE IN INCHES ANGLES $\pm XX^\circ$ 2 PL $\pm XXX$ 3 PL $\pm XXXX$		SIZE A	MATERIAL STEEL
		REV	
SCALE: 1:10		FILE NAME: diff output shaft 34I.dft	
		SHEET 2 OF 2	