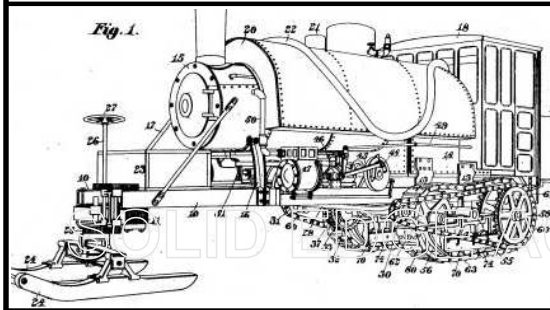


DETAIL A



MET
Lombard
Steam
Log Hauler

DRAWN BY	DATE	TITLE Differential Gear Ring	
Martel	2/28/13	DWG NO 1	
UNLESS OTHERWISE SPECIFIED DIMENSIONS ARE IN INCHES ANGLES $\pm XX^\circ$ 2 PL $\pm XXX$ 3 PL $\pm XXXX$		SIZE A	MATERIAL Cast Iron
		REV	
FILE NAME: Lombard parts 1.dft			
SCALE:	1:8	SHEET 1 OF 5	