

Trail Breaker 4

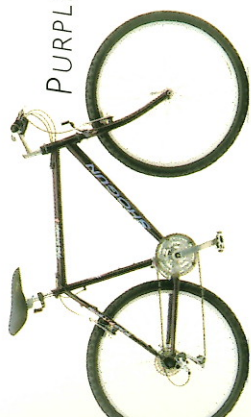


DARK MATT BLU

No compromise in any area. This was the aim of the designers when creating the Trail Breaker 4. The result is the finest example of a rigid fork MTB, equipped with the latest lightweight components, yet still very affordable.

Trail Breaker 3

PURPLE



GREEN SUEDE

The Trail Breaker 3 is a high climbing MTB with a componentry mix that speaks volumes for Shoguns commitment to quality workmanship in the pursuit of excellence. All this without breaking your bank.



GLOSS BLACK

Trail Breaker 2



By any standard the mid priced Trail Breaker 2 is great value. Engineered and built with Shogun's legendary attention to detail, it can take you just about anywhere and survive the mountain trails.

MATT CERESE

Trail Breaker 1

GLOSS GREEN



MATT PURPLE



MATT BLUE

Shogun's economically priced Trail Breaker 1 is equipped with even more features this year to further enhance its performance, and increase your cycling pleasure. Shimano cranks, Tektro V brakes and Stainless steel spokes.



GLOSS RED

Trail Breaker SP



PLUM RED



GLOSS BLUE

The product development team had a special project for the 1998 Shogun range. Create an inexpensive MTB of exceptional all-round quality and dependability. This has been achieved with the Trail Breaker SP. The best value for money bike in Australia.

ULTEGRA



SILVER

The name says it all, Ultegra. Shogun's top of the range that has delivered to the serious rider a spirited thoroughbred bicycle. The Shimano Ultegra 9 speed system invites the rider to transfer all their power to the road in effortless motion.

TEAM ISSUE



GLOSS RED

The Team Issue offers you everything a world class racing cycle should; light, agile and fiercely quick. Built for those who want a serious Shimano 105 equipped machine.

NINJA



GLOSS BLACK

The Ninja is a beautifully balanced 7005 Alloy racing machine, with all the smooth advantages and performance of a Shimano RX100 STI 8 speed shifting system.

SAMURAI



A creative combination of Shimano RX100 STI 8 speed shifters and RSX derailleurs, built into a full Cr-Mo frame and fork. Designed to offer you a sophisticated racing machine that won't empty your bank account.

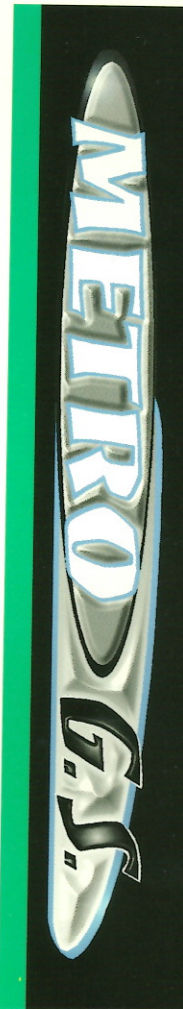
MATT CERESE

KATANA



MATT BLUE

The Katana is the fusion of advanced Shimano STI technology and the classic beauty of a sophisticated racing bike, that performs as good as it looks.



Shogun has employed a 7005 Alloy frame to enhance our high calibre Metro-GS. This ideal bicycle is built to transport you on a leisurely outing or a serious ride into the wide blue yonder.

JADE



MATT CERESE

METRO SE



GLOSS BLACK

This season's Metro-SE continues to give you the ruggedness of an MTB, combined with the comfort of a touring bike, with the added advantage of V brake stopping power.



GLOSS BLUE

METRO-AT



PLUM RED



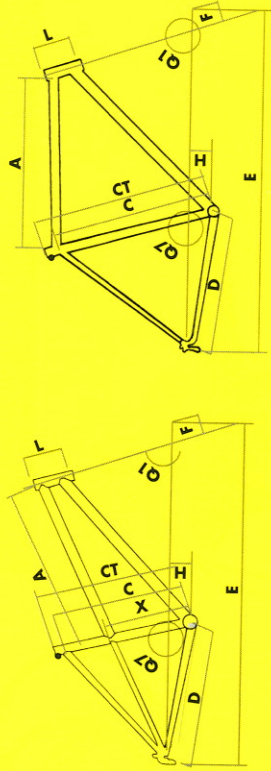
GLOSS RED

Whichever name you choose to use for this style of bike, Hybrid, Cross or City bike, Shogun is the No.1 choice. Designed in Australia for Australian conditions. The Metro-At delivers all the features that its competitors are still thinking about.

Trailbreaker • SP • 1 • 2 • 3 • 4

FRAME DIMENSIONS IN MILLIMETRES	
C	350 390 430 480 530 580 390
CT	394 434 474 524 574 624 430
X	— — — — — 244
A	537 540 555 570 585 600 530
L	105 115 125 125 165 205 125
D	430 430 430 430 430 430 430
E	1043.4 1044.5 1053.9 1060.3 1073.8 1087.4 1098
H	35 35 35 35 35 35 40
F	45 45 45 45 45 45 50
Q1	71° 71° 71° 71° 71° 71° 70°
Q7	73° 73° 73° 73° 73° 73° 73°

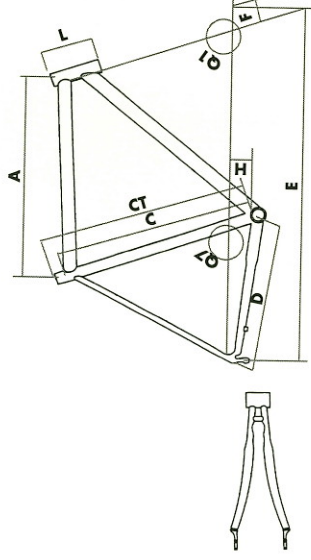
C = NOMINATED FRAME SIZE



Ninja • Team Issue • Ultegra

FRAME DIMENSIONS IN MILLIMETRES	
C	440 480 520 540 560 580
CT	480 520 560 580 600 620
A	523 542.6 566 570 585 600
L	95 100 115 135 155 175
D	410 410 410 410 410 410
E	995.4 987.7 989.1 988.9 1003.6 1018.5
H	68 68 68 68 68 68
F	50 45 38 38 38 38
Q1	72° 73° 73° 73° 73° 73° 73°
Q7	74° 74° 73° 73° 73° 73° 73°

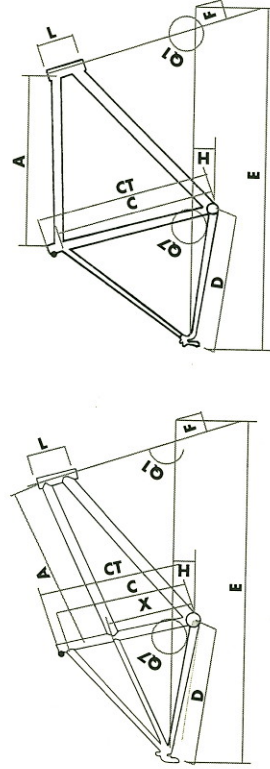
CT = NOMINATED FRAME SIZE



Metro • AT • SE • GS

FRAME DIMENSIONS IN MILLIMETRES	
C	380 420 460 500 540 560 410
CT	427 464 504 544 584 604 450
X	— — — — — 283
A	536 540 556 567 580 590 530
L	105 115 125 135 145 145 135
D	436 436 436 436 436 436 436
E	1041.4 1043.2 1055.1 1060.3 1065.5 1069.3 1094
H	50 50 50 50 50 50 65
F	50 50 50 50 50 50 60
Q1	71° 71° 71° 71° 71° 71° 70° 30'
Q7	73° 73° 73° 73° 73° 73° 74° 30'

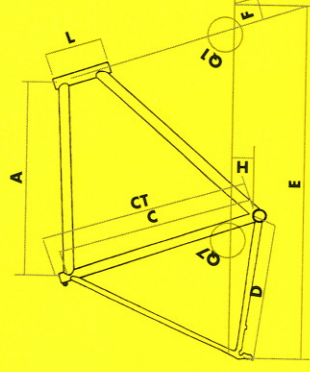
C = NOMINATED FRAME SIZE



Katana • Samurai

FRAME DIMENSIONS IN MILLIMETRES	
C	480 520 560 580 600 620
CT	508 548 588 608 628 648
A	525.2 546.1 570 585 590 590
L	97 116 149 169 189 205
D	410 410 410 410 410 410
E	990.48 992.33 992.18 1007 1011.82 1001.5
H	50 65 65 65 65 65
F	50 45 40 40 40 40
Q1	72° 73° 73° 73° 73° 73° 74° 5'
Q7	74° 5' 74° 5' 73° 73° 73° 73° 73°

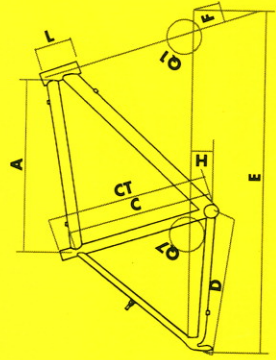
C = NOMINATED FRAME SIZE



Slick Rock • Expert • STX • LX

C	390 430 480 530
CT	434 474 524 574
A	540.3 555.4 570.6 586.2
L	115 125 125 165
D	430 430 430 430
E	1044.5 1053.9 1060.3 1074.4
H	35 35 35 35
F	45 45 45 45
Q1	71° 71° 71° 71°
Q7	73° 73° 73° 73°

C = NOMINATED FRAME SIZE



SHOGEUN F.I.T. SYSTEM

SHOOGUN

You Are What You Ride...



For printing reasons, colours may differ slightly from the actual colours. Due to our policy of continuing evolution The Bicycle Corporation reserves the right to alter the specifications or design of its products without prior notice.

All sizes measured from centre of bottom bracket axle, to the centre of the top bar except for Ninja, Team Issue and Ultegra, which are centre of B.B. to top of seat bar. All bikes are supplied with reflectors for front, rear, pedals and wheels.

Ride within your limits and remember to light it up at night and always wear a helmet.

AUTHORISED SHOOGUN DEALER

Distributed in Australia by the Bicycle Corporation P/L 9 Villa Rd Springvale Vic. 3171

ACN 006 287 485