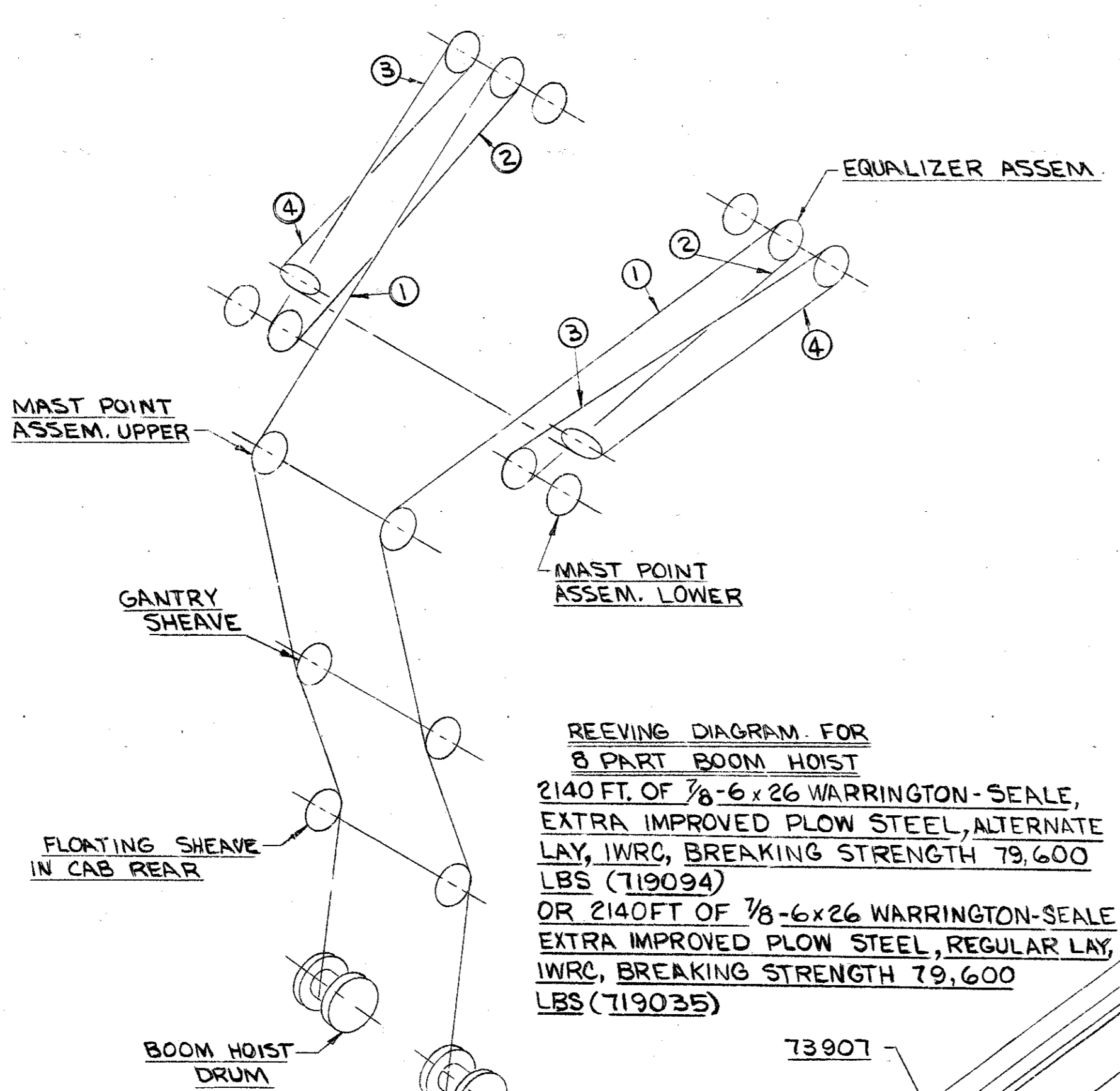
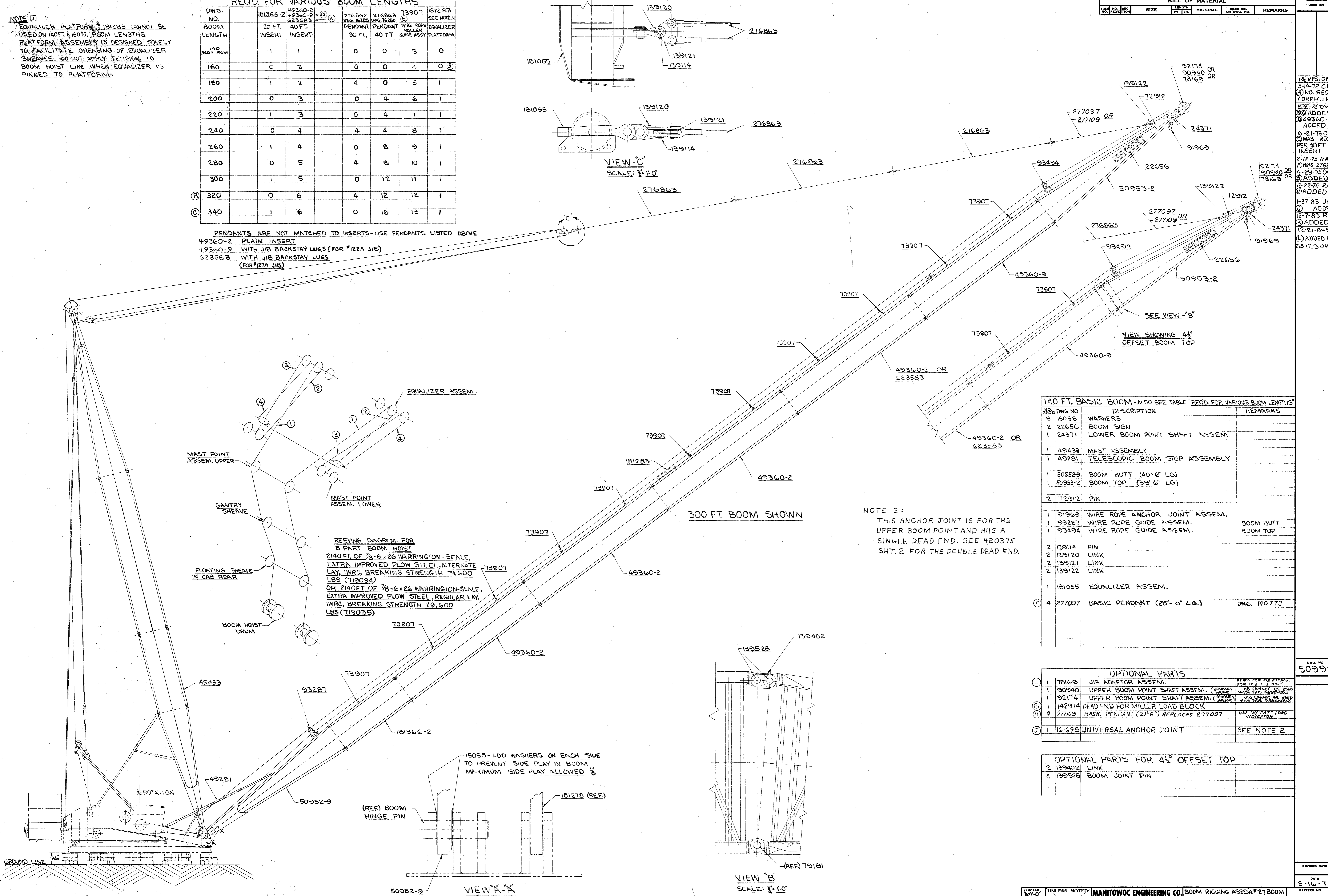
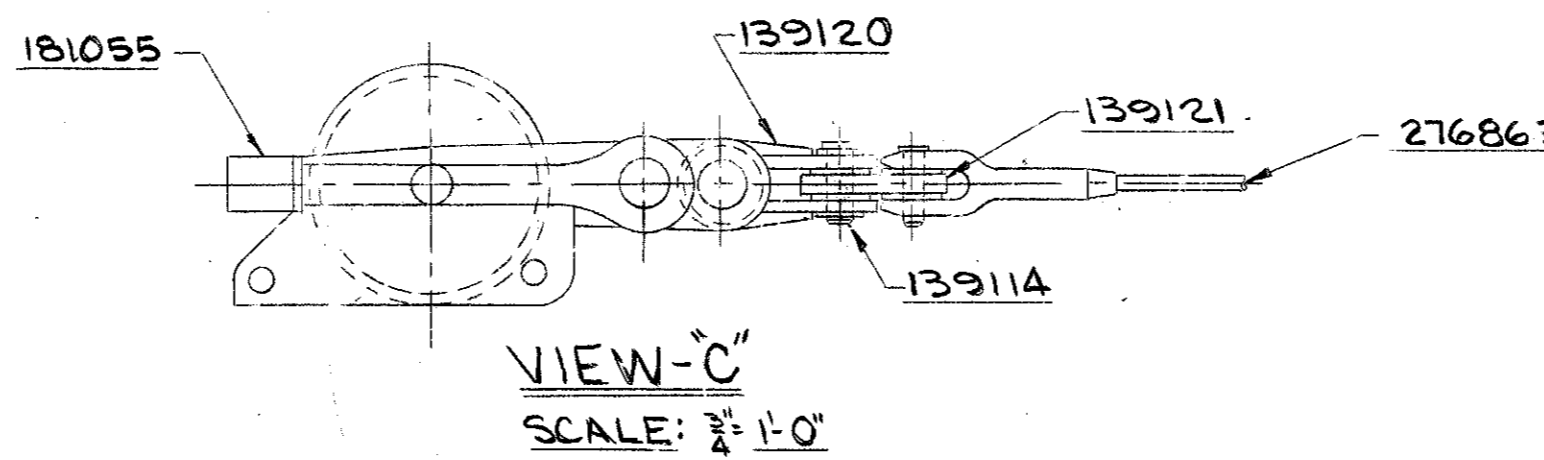
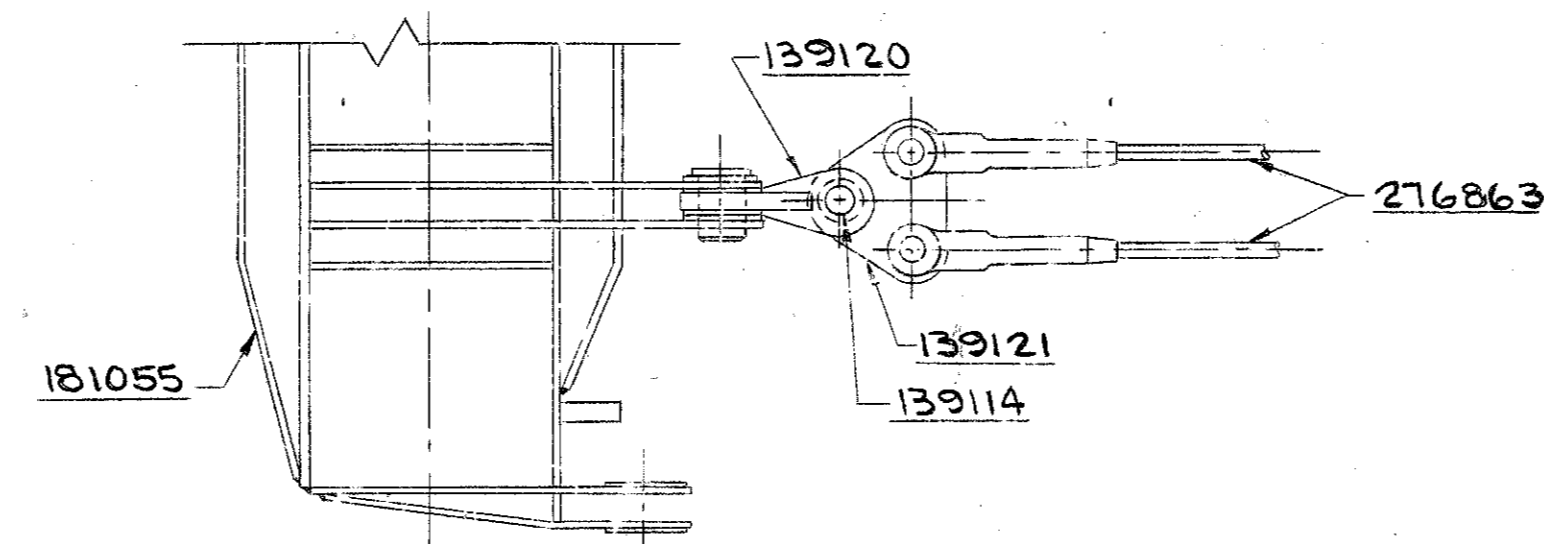


NOTE 1
 EQUALIZER PLATFORM *181283 CANNOT BE USED ON 140 FT. & 160 FT. BOOM LENGTHS. PLATFORM ASSEMBLY IS DESIGNED SOLELY TO FACILITATE GREASING OF EQUALIZER SHEAVES. DO NOT APPLY TENSION TO BOOM HOIST LINE WHEN EQUALIZER IS PINNED TO PLATFORM.

REQD. FOR VARIOUS BOOM LENGTHS

DWG. NO.	181366-2	49360-2 49360-9 623583	276862 DNG. 16280	276863 DNG. 16280	73907	181283 SEE NOTE 1
BOOM LENGTH	20 FT. INSERT	40 FT. INSERT	PENDANT 20 FT.	PENDANT 40 FT.	WIRE ROPE ROLLER GUIDE ASSY.	EQUALIZER PLATFORM
140	1	1	0	0	3	0
160	0	2	0	0	4	0
180	1	2	4	0	5	1
200	0	3	0	4	6	1
220	1	3	0	4	7	1
240	0	4	4	4	8	1
260	1	4	0	8	9	1
280	0	5	4	8	10	1
300	1	5	0	12	11	1
320	0	6	4	12	12	1
340	1	6	0	16	13	1

PENDANTS ARE NOT MATCHED TO INSERTS-USE PENDANTS LISTED ABOVE
 49360-2 PLAIN INSERT
 49360-9 WITH JIB BACKSTAY LUGS (FOR #122A JIB)
 623583 WITH JIB BACKSTAY LUGS (FOR #127A JIB)



140 FT. BASIC BOOM - ALSO SEE TABLE "REQD. FOR VARIOUS BOOM LENGTHS"

NO.	DWG. NO.	DESCRIPTION	REMARKS
8	15058	WASHERS	
2	22656	BOOM SIGN	
1	24371	LOWER BOOM POINT SHAFT ASSEM.	
1	49433	MAST ASSEMBLY	
1	49281	TELESCOPIC BOOM STOP ASSEMBLY	
1	50952-9	BOOM BUTT (40'-6" LG.)	
1	50953-2	BOOM TOP (39'-6" LG.)	
2	72912	PIN	
1	91969	WIRE ROPE ANCHOR JOINT ASSEM.	
1	93287	WIRE ROPE GUIDE ASSEM.	BOOM BUTT
1	93494	WIRE ROPE GUIDE ASSEM.	BOOM TOP
2	139114	PIN	
2	139120	LINK	
2	139121	LINK	
2	139122	LINK	
1	181055	EQUALIZER ASSEM.	
4	277097	BASIC PENDANT (25'-0" LG.)	DWG. 140773

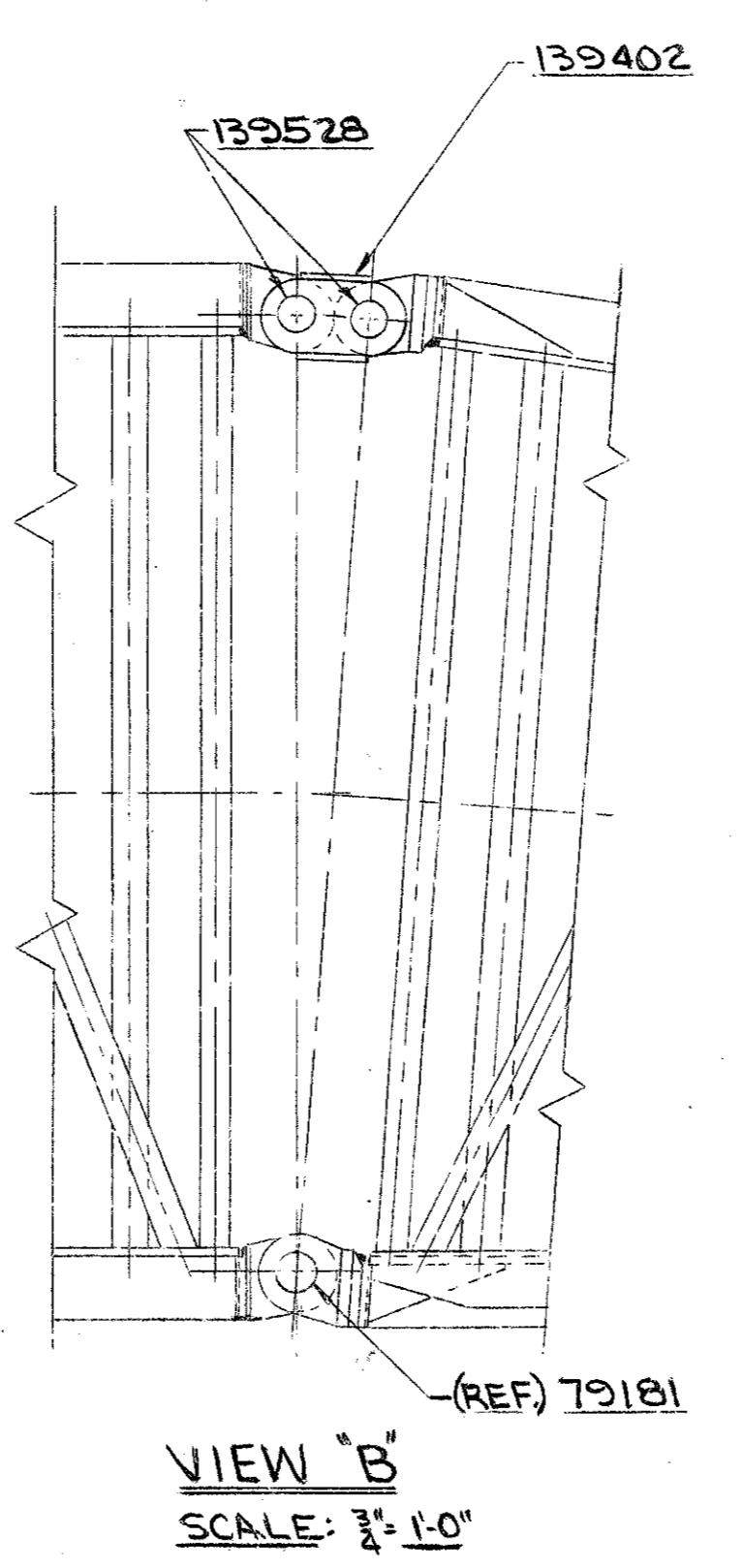
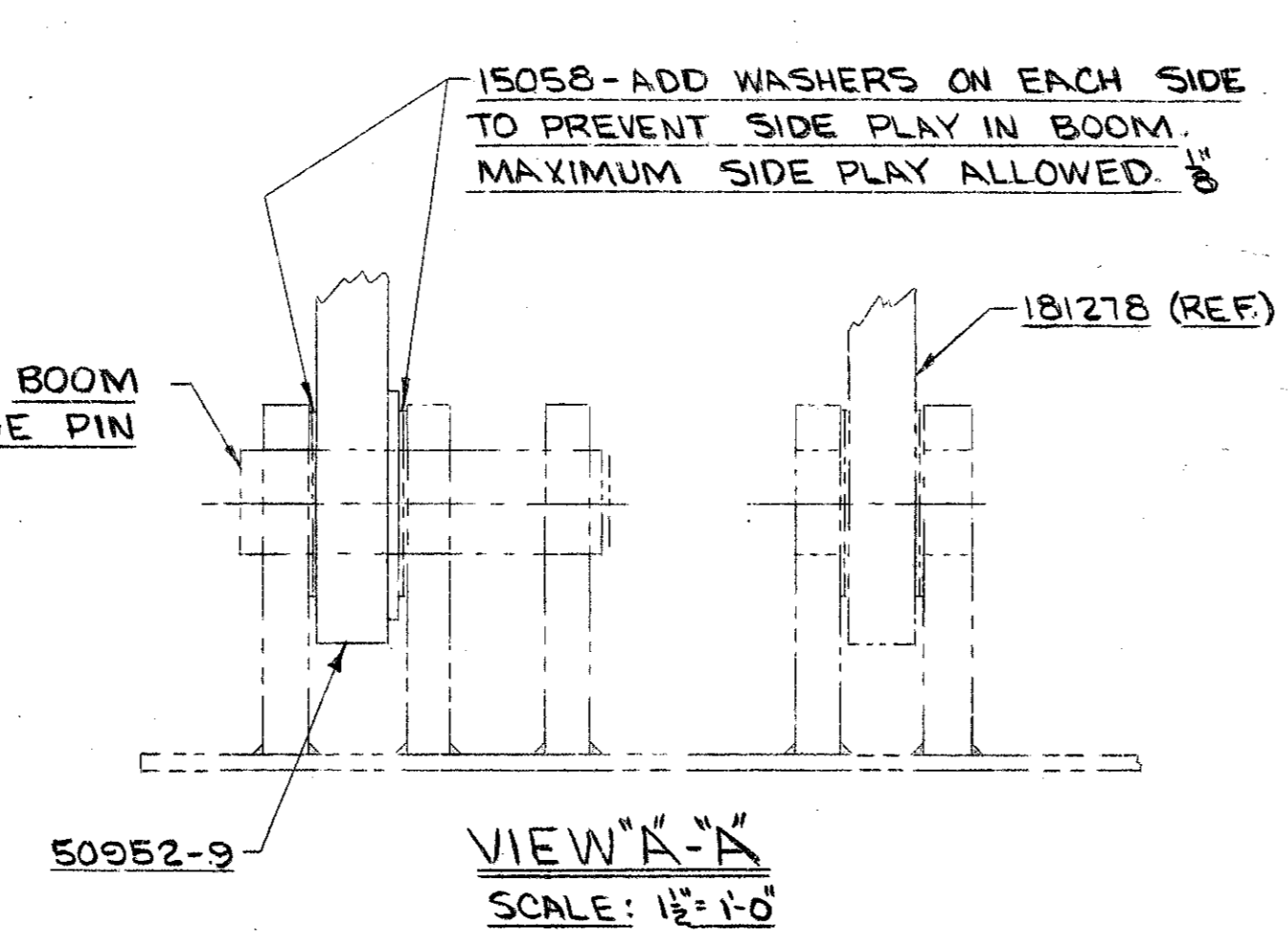
NOTE 2:
 THIS ANCHOR JOINT IS FOR THE UPPER BOOM POINT AND HAS A SINGLE DEAD END. SEE 420375 SHT. 2 FOR THE DOUBLE DEAD END.

OPTIONAL PARTS

1	78169	JIB ADAPTOR ASSEM.	REQD. FOR JIB ATTACH. FOR 25' JIB ONLY.
1	90940	UPPER BOOM POINT SHAFT ASSEM. (DOUBLE SHEAVE)	JIB CANNOT BE USED WITH THIS ASSEMBLY.
1	92174	UPPER BOOM POINT SHAFT ASSEM. (SINGLE SHEAVE)	JIB CANNOT BE USED WITH THIS ASSEMBLY.
1	142974	DEAD END FOR MILLER LOAD BLOCK	
4	27709	BASIC PENDANT (21'-6") REPLACES 277097	USE W/PAT. LOAD INDICATOR
1	161695	UNIVERSAL ANCHOR JOINT	SEE NOTE 2

OPTIONAL PARTS FOR 4 1/2° OFFSET TOP

2	139402	LINK
4	139528	BOOM JOINT PIN



REVISIONS
 3-14-72 CRP
 4-NO. REQD. CORRECTED
 6-8-72 DWG. 80 ADDED
 8-4-72 DWG. 80 ADDED
 9-4-72 DWG. 80 ADDED
 6-21-73 CRP
 6-WAS 1 REQD. PER 40 FT. INSERT
 2-78-75 RAD. 2-WAS 276928
 4-29-75 DWG. 80 ADDED
 12-22-75 RAD. 80 ADDED
 1-27-83 JHS
 1-ADDED
 12-7-83 RH
 1-ADDED
 12-21-84 SFS
 1-ADDED FOR 718123 ONLY

UNLESS NOTED MANITOWOC ENGINEERING CO. BOOM RIGGING ASSEM #27 BOOM
 MANITOWOC, WISCONSIN 140 TO 340 FT. BOOM W/BOFT.MAST
 MATERIAL 36 FT. DIA. RINGER
 FINISH 4100-W RINGER

DATE 8-16-71
 REVISED DATE
 PATTERN NO.
 DWG. NO. 50999
 CODE NO. 50999