

Project

Item #

Model Specified:

CSI Section 11400

Heated Transport Carts/Standard Version (natural convection)



Model TSP15
(shown as supplied standard)

Models To Accommodate Kitchen & Sheet Pans



TKP7 7 Pan Capacity (12" x 20")
TKP15 15 Pan Capacity (12" x 20")



TSP5 5 Pan Capacity (18" x 26")
TSP7 7 Pan Capacity (18" x 26")
TSP13 13 Pan Capacity (18" x 26")
TSP15 15 Pan Capacity (18" x 26")

Traulsen's TKP & TSP Series Transport Carts are designed to hold and transport hot food pans. Outstanding performance is assured through use of an efficient heating system, secure door closure, and a well insulated cabinet. Built for strength from 300-series stainless steel, the cabinet includes a 1" welded steel endo-skeleton to provide years and years of useful service.

Mobility features include swivel casters, full-perimeter bumper, magnetic/mechanical door latches (which keep doors securely closed during transport), and horizontal push/pull side-mounted handles. In addition they include a number of value-added features, such as a standard cord wrap and menu card holder, as well as a lifetime heater warranty.

Providing a higher quality and value alternative, these models are ideal for use in hotels, universities, hospitals, caterers, commissaries, etc., or any application requiring transport of hot food pans.

Standard Product Features

- 300-Series Stainless Steel Exterior & Interior
- 1" Fiberglass Insulation/2" On Top
- Welded Interior Steel Frame
- Exterior Full Range Thermostat & Dial Thermometer
- Bottom Mounted High Wattage Heating Elements
- Menu Card Holder
- Stainless Steel Vertical Push/Pull Handles
- Full Perimeter Bumper Guard
- Stainless Steel Door(s) With Locks
- Magnetic/Mechanical Grip Action Door Latches
- Heavy-Duty Door Hinges
- Standard Door Hinging: All Models = Right
- Removable Metal Pan Slides
- High Temperature Door Gaskets
- Metal Cord Wrap (top-mounted on rear of unit)
- 6' Cord & Plug Attached (NEMA 5-20P)
- Set of Four (4) 5" High Swivel Casters, two with brakes - Factory Installed
- Guaranteed For Heating Elements
- Guaranteed For Life Door Hinges and Latches
- One Year Parts And Labor Warranty

Options & Accessories

- Transport Latch
- Canned Fuel Option
- Optional Height & All Swivel Casters
- 208 or 240 Voltage
- 1200 Watt with NEMA 5-15P Plug (TSP13 & TSP15 only)
- Two Year Service/Labor Warranty Available

All Traulsen heated banquet and transport carts are ENERGY STAR® listed for efficient operation!



Listed by Underwriters Laboratories Inc., to U.S. and Canadian safety standards and Listed by NSF International.

Approval: _____

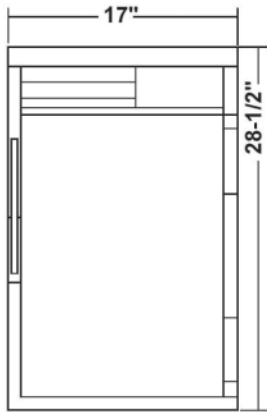


TRAULSEN
4401 BLUE MOUND RD.
PHONE 1 (800) 825-8220
Website: www.traulsen.com

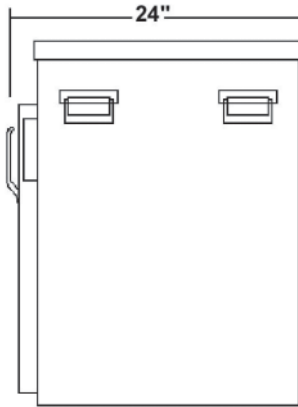
FT. WORTH, TX 76106
FAX-MKTG. 1 (817) 624-4302

SECTION
12-4

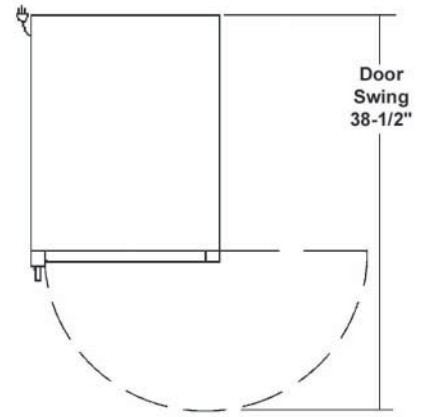
Project	Quantity	Item #
Model Specified:		CSI Section 11400



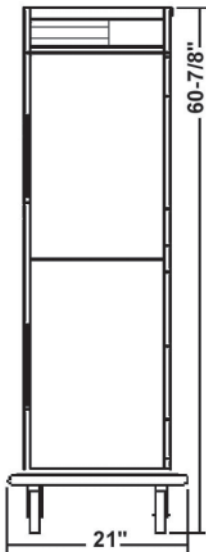
Elevation View Model TKP7



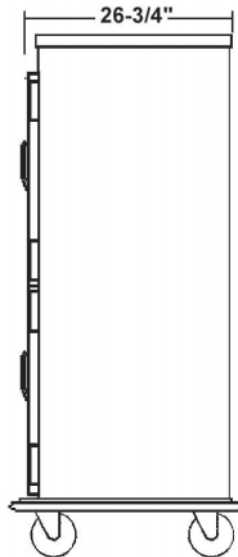
Section View Model TKP7



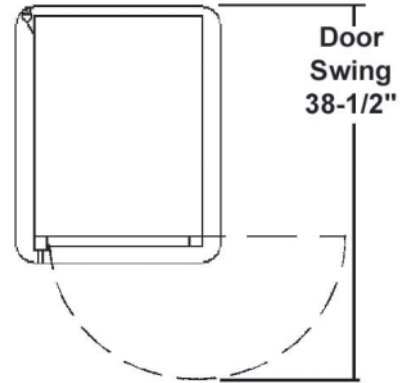
Plan View Model TKP7



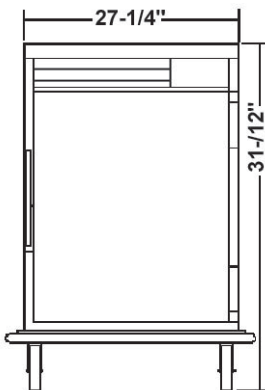
Elevation View Model TKP15



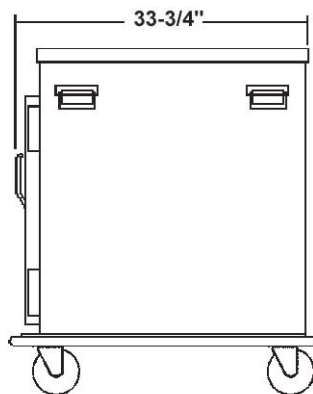
Section View Model TKP15



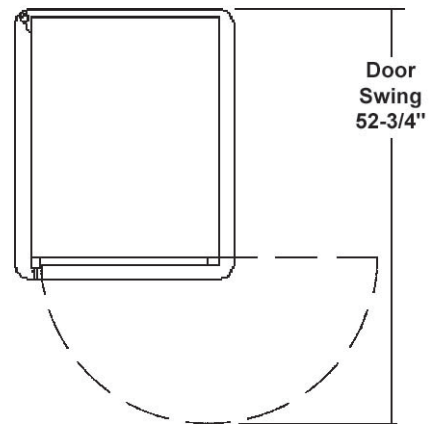
Plan View Model TKP15



Elevation View Model TSP5



Section View Model TSP5



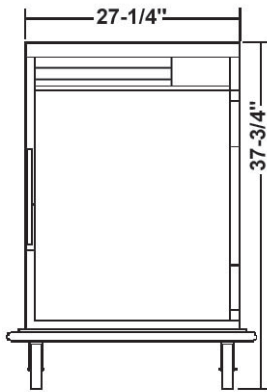
Plan View Model TSP5

Project

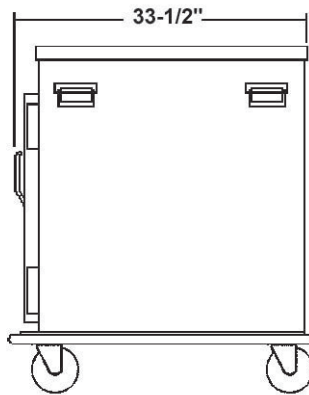
Item #

Model Specified:

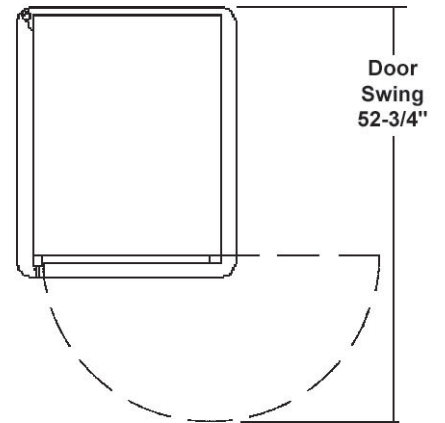
CSI Section 11400



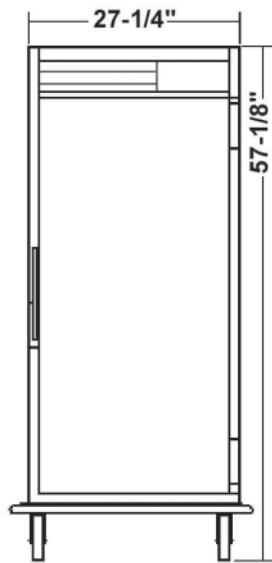
Elevation View Model TSP7



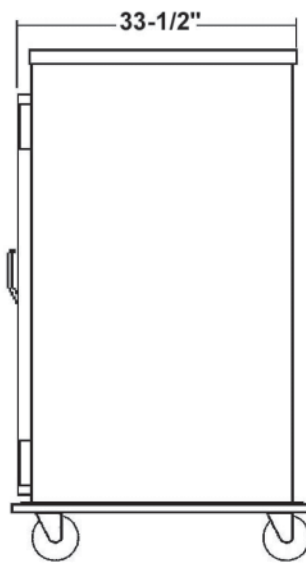
Section View Model TSP7



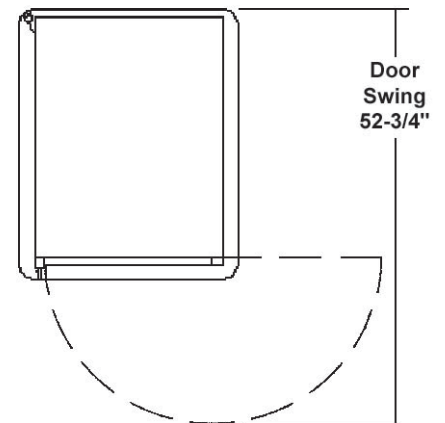
Plan View Model TSP7



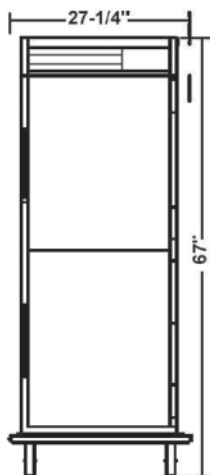
Elevation View Model TSP13



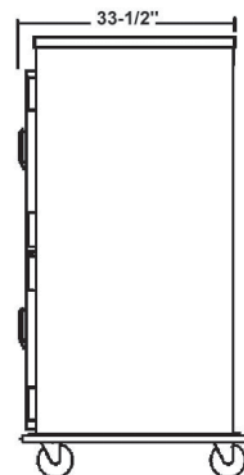
Section View Model TSP13



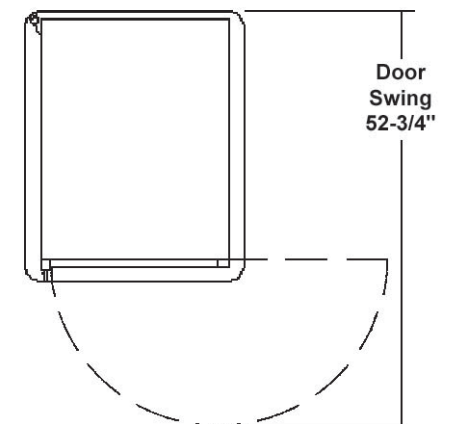
Plan View Model TSP13



Elevation View Model TSP15



Section View Model TSP15



Plan View Model TSP15



TRAULSEN
4401 BLUE MOUND RD.
PHONE 1 (800) 825-8220
Website: www.traulsen.com

FT. WORTH, TX 76106
FAX-MKTG. 1 (817) 624-4302

SECTION
12-4

Project	Quantity	Item #
Model Specified:		CSI Section 11400

Specifications

Construction, Hardware and Insulation

Cabinet exterior front, back, top, bottom, sides, louver, interior, and doors are constructed of 300-Series 20-gauge stainless steel. Cabinet strength is augmented using a welded endo-skeleton steel frame. A set of 6" high swivel casters are included.

Doors are constructed of 300-Series 18-gauge stainless steel with locks as supplied standard. They feature magnetic, mechanical grip-action door latches for secure door seal during transport. They also include heavy-duty hinges and easily removable for cleaning, high temperature door gasket which assure tight door seal. Both the door hinges and latched are guaranteed for life.

Both the cabinet and doors are insulated with an average of 1" thick fiberglass insulation (2" on top).

Heating System

Cabinet is equipped with 2000 watt heating elements located at the cabinet bottom. A 6' cord and plug is provided. Operating temperatures can be set from 135 to 190°F.

Interior

Standard interior arrangements include removable metal pan slides.

Controller

Equipped with an electromechanical control panel containing a dual indicator light. A red indicator light is illuminated indicating connection to a power supply with a separate amber light indicating heater operation. A dial thermometer is provided to display cabinet temperatures.

Warranties

A one year parts and labor warranty is provided standard. In addition the heating elements, door hinges and handles include a lifetime warranty. An optional 2nd year extended parts and labor warranty is also available.

DIMENSIONAL DATA	TKP7	TKP15	TSP5	TSP7	TSP13	TSP15
Capacity 12" x 20" Pans	7	15	10	14	26	30
Capacity 18" x 26" Pans	n/a	n/a	5	7	13	15
Length - Overall in. ¹	17 (43.1 cm)	21 (53.3 cm)	27¼ (69.2 cm)	27¼ (69.2 cm)	27¼ (69.2 cm)	27¼ (69.2 cm)
Depth - Overall in. ¹	24 (60.9 cm)	26¾ (67.9 cm)	33½ (85 cm)	33½ (85 cm)	33½ (85 cm)	33½ (85 cm)
Depth - Door Open in.	38¼ (97.7 cm)	38¼ (97.7 cm)	52¼ (133.9 cm)	52¼ (133.9 cm)	52¼ (133.9 cm)	52¼ (133.9 cm)
Height - Overall ²	33½ (85.1 cm)	60¾ (154.6 cm)	31½ (80 cm)	37¼ (95.8 cm)	57½ (95.8 cm)	67 (170.1 cm)
Number Pan Slide Levels	7	15	5	7	13	15
ELECTRICAL DATA						
Volts	120	120	120	120	120	120
Watts	600	1200	1200	1200	2000	2000
Full Load Amperes	5.0	10.0	10.0	10.0	16.7	16.7
NEMA Plug Type	5-15P	5-15P	5-15P	5-15P	5-20P	5-20P
WEIGHT DATA						
Gross Weight - Crated lbs.	80	196	170	230	340	360

NOTES

NOTE: Figures in parentheses reflect metric equivalents.

1= Figures shown reflect cabinet dimensions only. Please add 2-1/2" to each side to allow for bumper.

2= Height shown as mounted on standard 5" casters.



**Equipped With One NEMA 5-15 P Plug
(except models TSP13 and TSP15)**



**Models TSP13 and TSP15 Only
Equipped With One NEMA 5-20 P Plug**

NOTE: When ordering please specify: Voltage, Hinging, Options and any additional warranties.

Continued product development may necessitate specification changes without notice.

Part No. TR35893 (revised 6/08)

SECTION
12-4

TRAULSEN
4401 BLUE MOUND RD.
PHONE 1 (800) 825-8220
Website: www.traulsen.com

FT. WORTH, TX 76106
FAX-MKTG. 1 (817) 624-4302

