

AEBN: 062106

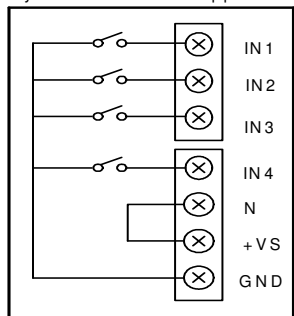
Date: June 21, 2006

Subject: Adaptatone Millennium Tone Activation Methods

Prior to the introduction of the Adaptatone Millennium (“M” version), Edwards carried the Adaptatone “B” models. The “B” models were typically available as either single input activation or four input activation. Tone activation could only be accomplished by the use of contact closing devices, which made it very difficult to use the Adaptatone signaling products in industrial applications involving programmable logic controllers (PLC’s). PLC’s have the capability of using different input/output cards. Some output cards have the capability of supplying voltage outputs of 120V AC or 24V DC or providing contact closure using relays. One of the design changes in the Adaptatone Millennium was to allow interfacing with different PLC outputs. The “M” version Adaptatone models use one of two different input cards—either 24V DC or 120V AC. The 24V DC input card may be initiated by using dry contact closing devices on the inputs (Figure 1) or by switching 24V DC to the inputs (Figure 2). The 120V AC input card can only be initiated by switching 120V AC to the inputs (Figure 3). Connections for PLC applications using either 120V AC or 24V DC are shown in Figures 4 and 5.

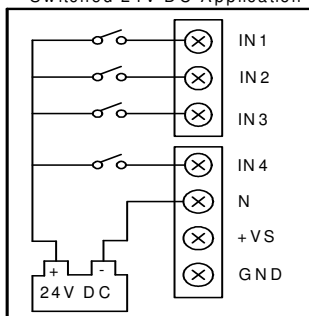
Note: When cross referencing a “B” version Adaptatone model to the “M” version Adaptatone always use a 24 volt input card. (Ex. 5531B-N5 = 5531M-24N5)

Dry Contact Closure Application



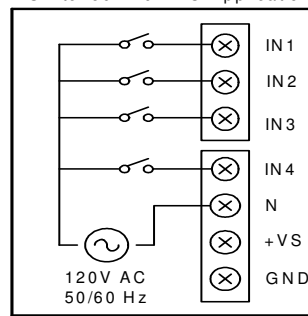
(Figure 1)

Switched 24V DC Application



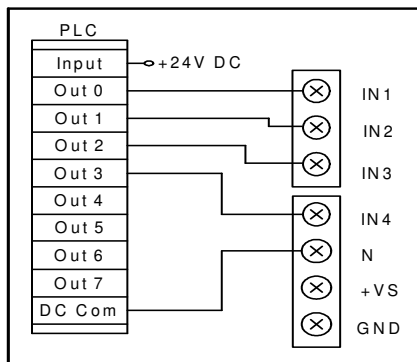
(Figure 2)

Switched 120V AC Application



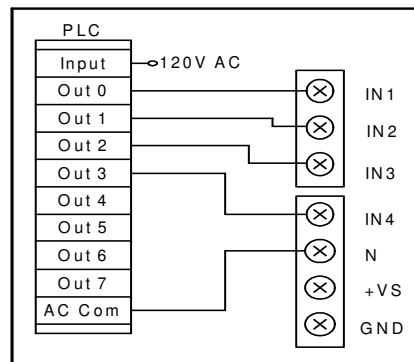
(Figure 3)

PLC Application Utilizing 24V DC



(Figure 4)

PLC Application Utilizing 120V AC



(Figure 5)

Adaptatone Part Numbering System

5531MHV-24N5

Supply Power Voltage Code:

AQ = 24 Volts AC/DC
AW = 16-33 Volts DC
N5 = 120 Volts AC
Y6 = 120 Volts AC,
240 Volts AC,
125 Volts DC,
250 Volts DC
25 = 25 Volts AC (RMS)
70 = 70 Volts AC (RMS)

Input Card Voltage:

24 = 24 Volts DC
120 = 120 Volts AC
485 = RS485

Special Code:

D = Diode Polarized
P = Paging
R = Red
S = Strobe
V = Voice
HV = High Volume

Catalog Part Number Series:

5510M = Audio Converter
5530M = Single Input Signal
5531M = Four Input signal
5532M = Speaker Amplifier
5533M = Explosion Proof Dual Input Signal
5536M = Local/System Signal
5540M = Central Tone Generator
5541M = System Master
5545M = Explosion Proof Speaker Amplifier
5560M = Mini-Mi

Cross Reference From "B" Versions to "M" Versions

Previous "B" Version Models

5530B-AQ
 5530B-N5
 5530B-Y6
 5530BD-GR
 5530BD-AW
 5530BDV2-AQ
 5530BDV2-Y6
 5530BDDV2-GR
 5530BDDV2-AW
 5530BHV-AQ
 5530BHV-Y6
 5530BDHV-GR
 5530BDHV-AW
 5531B-AQ
 5531B-N5
 5531B-Y6
 5531BHV-AQ
 5531BHV-Y6
 5531BDV2-AQ
 5531BDV2-Y6
 5532B-AQ
 5532B-N5
 5532B-Y6
 5532BHV-AQ
 5532BHV-Y6
 5532BDV2-AQ
 5532BDV2-Y6
 5533B-AQ
 5533B-Y6
 5533BD-GR
 5533BD-AW
 5534B-AQ
 5534B-Y6
 5534BD-GR
 5534BD-AW
 5540B-AQ
 5540B-Y6
 5545B-AQ
 5545B-Y6
 5546B-AQ
 5546B-Y6

Current "M" Version Models

5530M-24AQ
 55530M-24N5
 5530M-24Y6
 5530MD-24AW (24 Volt DC Only)
 5530MD-24AW
 5530M-24AQ
 5530M-24Y6
 5530MD-24AW (24 Volt DC Only)
 5530MD-24AW
 5530MHV-24AQ
 5530MHV-24Y6
 No Cross Available
 No Cross Available
 5531M-24AQ
 55531M-24N5
 5531M-24Y6
 5531MHV-24AQ
 5531MHV-24Y6
 5531M-24AQ
 5531M-24Y6
 5532M-AQ
 55532M-N5
 5532M-Y6
 5532MHV-AQ
 5532MHV-Y6
 5532M-AQ
 5532M-Y6
 5533M-AQ
 5533M-Y6
 5533MD-24AW (24 Volt DC Only)
 5533MD-24AW
 No Cross Available
 No Cross Available
 No Cross Available
 No Cross Available
 5540M-24AQ
 5540M-24Y6
 5545M-AQ
 5545M-Y6
 No Cross Available
 No Cross Available