

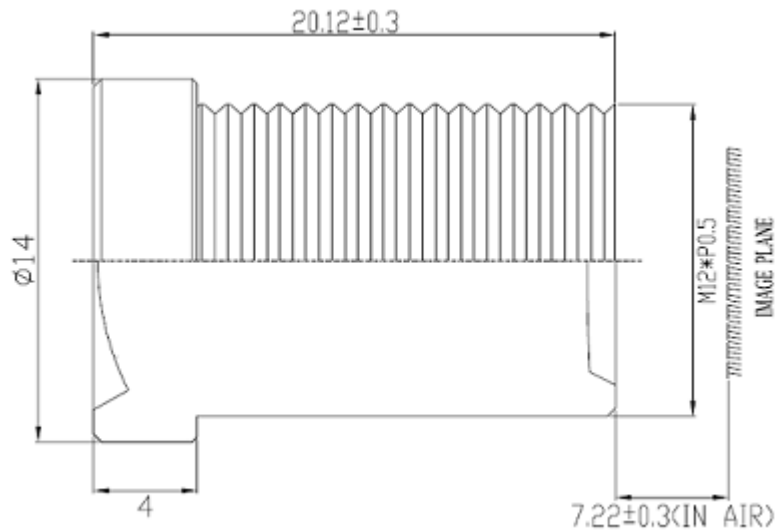
MEGA PIXEL BOARD CAMERA LENS SERIES BMT-0225M



Release Version: V1.0-APRIL-14

Key Highlights

- 1/2" imager format High performance mega-pixel M12-Mount camera lens
- Very Low distortion
- Highly compact
- Fixed Iris
- **“BALAJI OPTICS”** is trademark of “Balaji MicroTechnologies Pvt. Ltd.”



Model No		BMT-0225M
Resolution		3 MegaPixel
Focal Length		25 MM
Iris		2.0
Len Mount		M12 X P0.5
Imager Format		1/2" , 1/3" , 1/4"
Back focal length		8.3 mm
Optical distortion		< 2% @ 1/2" CCD
Lens construction		4 Glass, 4 components
Field Angle	1/2"	18.6°x 14.8°x 11.1°
	1/3"	13.8°x 11.1°x 8.3°
	1/4"	9.2°x 7.4°x 5.5°
Weight		6 gm

BALAJI MICROTكنولوجIES PVT. LTD.

(A Unit of B.B.Group of Companies)

D-2/20, Sector 10 | DLF Faridabad-121006 | Haryana, India

Tel # +91-129-6561300 , +91-129-4006203

Email: sales@balaji-microtechnologies.com

Website: <http://www.balaji-microtechnologies.com/>