

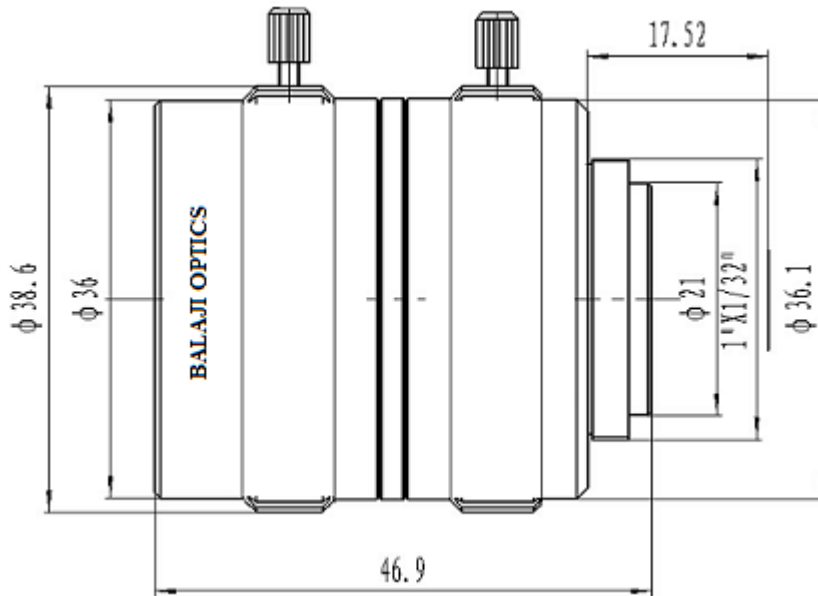
# 2/3” MEGAPIXEL CAMERA LENS BMT-16255MP



Release Version: V1.0-JULY-14

## Key Highlights

- 2/3" imager format High performance C-Mount camera lens
- Very Low distortion
- Highly compact
- Iris & Focus locking screws
- 12 Month warranty
- Made of Metal



“BALAJI OPTICS” is trademark of “BalaJi MicroTechnologies Pvt. Ltd.”

Model No		BMT-16255MP
Resolution		5 MP
Focal Length		25 MM
Iris Range		F# 1.6
Lens Mount		C-Mount
Imager Format		2/3”
Angle of View		D (25°) x H (20°) x V (18°)
Lens Structure		7 Elements, 5 Groups
Spectral Transmission		485~649nm , > 82%
MOD		0.5 M
Control	Focus	Manual
	Iris	Manual
Back Focal Length		12 MM
Working Temperature (degree celcius)		-10~+50
Weight		110 gm

**BALAJI MICROTكنولوجIES PVT. LTD.**

(A Unit of B.B. Group of Companies)

Corporate Headquarter—New Delhi, India

Sales Office: D-2/20, Sector 10 | DLF Faridabad-121006 | Haryana, INDIA

Tel # +91-129-6561300 , +91-129-4006203

For India (domestic) business: sales.india@balaji-microtechnologies.com

For overseas business: sales.overseas@balaji-microtechnologies.com

Website: <http://www.balaji-microtechnologies.com/>