

# BATTEK Battery Management System

## Voltage Sensitive Relay

Voltage Sensitive Relays have been specifically designed for a wide variety of automotive, truck and marine applications.

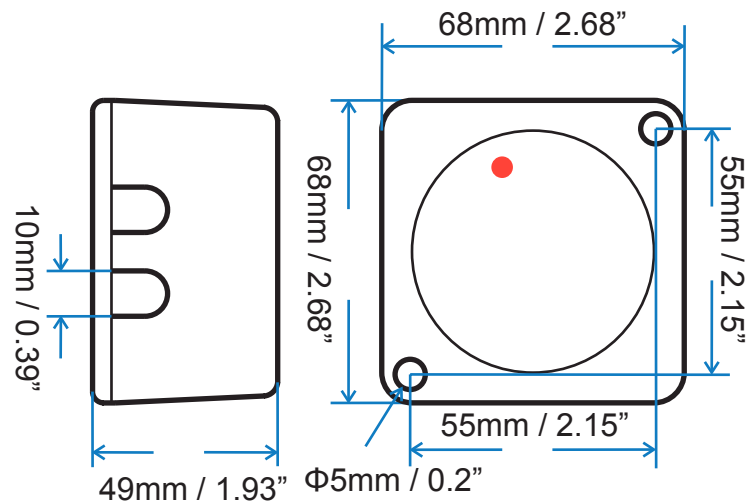
The VSR units sense the input voltage generated and automatically connect/disconnect the appliance or circuit at pre-set voltages, eliminating the possibility of discharging the primary starting battery. Constructed with a weatherproof body (IP65) and durable silver tipped contacts, the VSR units also feature surge protection and a L.E.D indicator designed to alert the user when the unit is engaged.

VSR units are ideal for dual battery set-ups as they enable two batteries to be charged at the same time and then isolates the batteries from each other when the vehicle is turned off, ensuring your starting battery is always charged & ready to go.

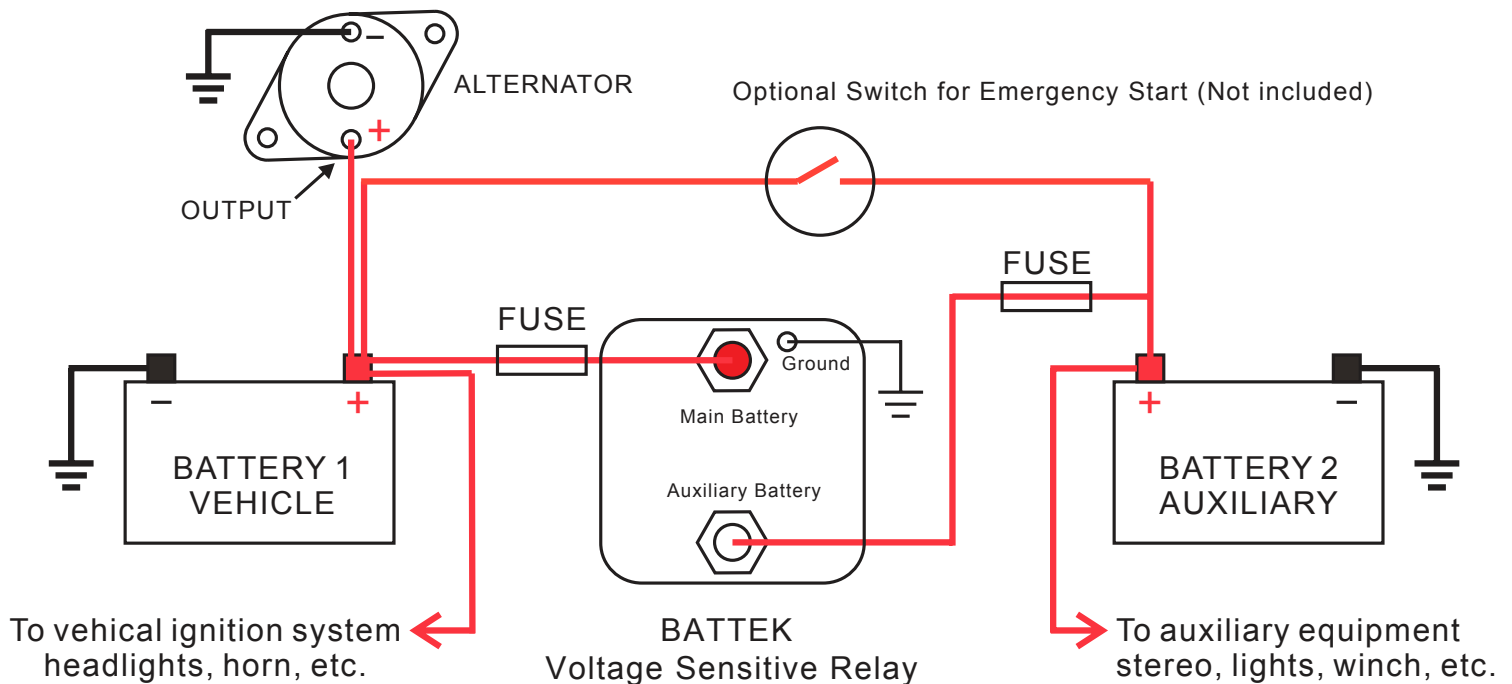


### Features:

- Designed for dual battery systems
- Suitable for most 12V charging systems
- Surge protection
- Easy to install
- Automatically sensing voltage level of main battery
- Cut In Voltage: 13.3V
- Cut Out Voltage: 12.8V
- CE Certified



### Typical installation:



Website  
Ebay

<http://www.battekssystem.com>  
<http://stores.ebay.com/battekssystem>