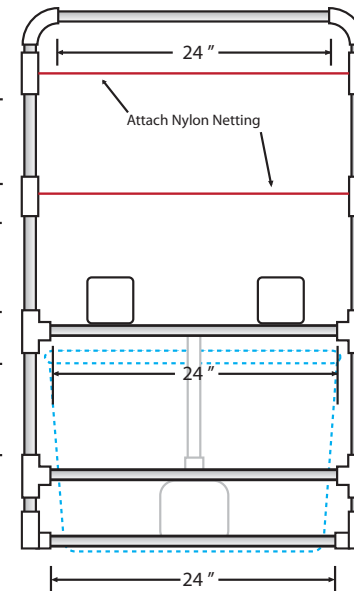
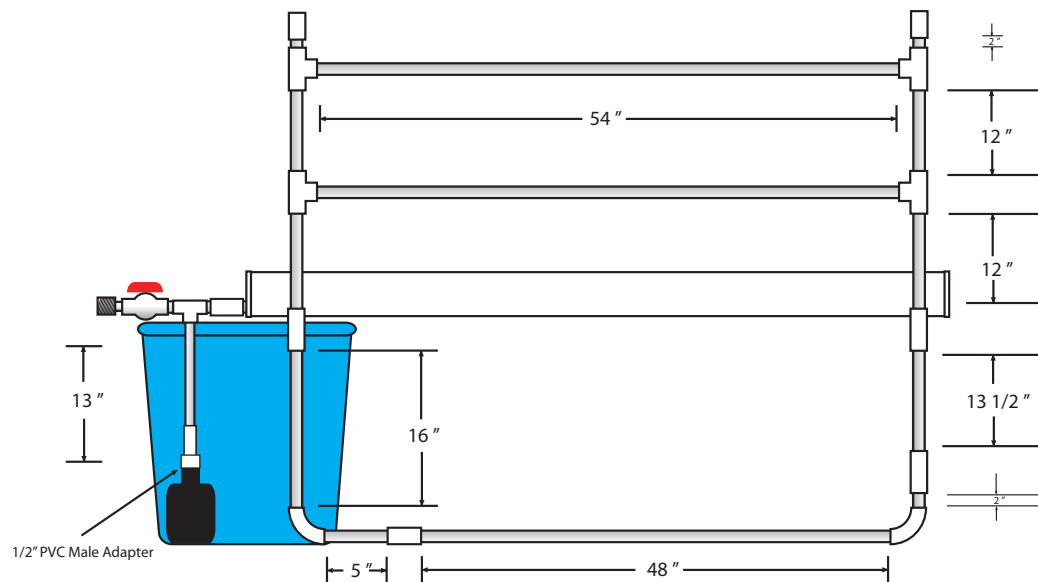
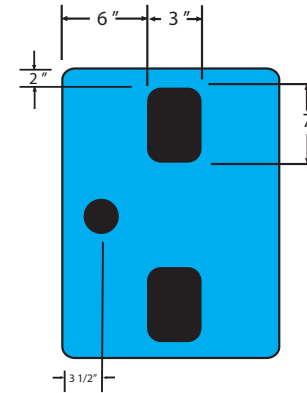
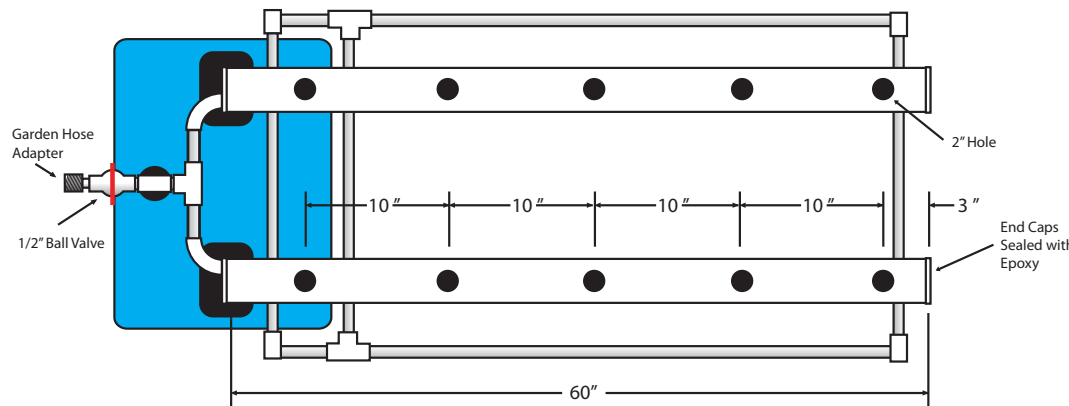
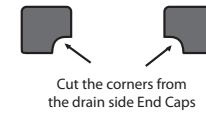
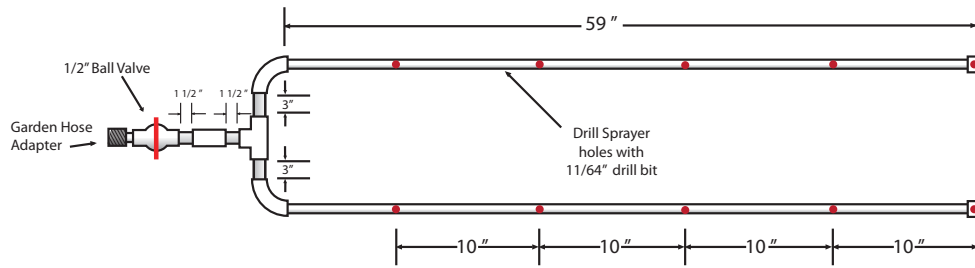


**StinkBud Sr. Aeroponic/NFT Plans**  
**by StinkBud 04/02/10**  
**vers 2.2**



**Parts List:**

- 1 - 18 Gal. Rubbermaid Ruffneck Container
- 10 - EZ-Clone Sprayers
- 1 - 396 GPH Pump
- 2 - 72" x 4" PVC Fence Posts
- 4 - PVC Fence Post End Caps
- 2 - 1/2" Tees
- 2 - 1/2" Elbows
- 2 - 10ft. length 1/2" PVC Pipe
- 2 - 1/2" End Caps
- 1 - 1/2" male adapter
- 10 - 2" Net Pots
- 10 - 2" Neoprene Collars
- 1 - 1/2" Ball Valve
- 1 - 1/2" Garden Hose Adapter
- 8 - 3/4" Elbows
- 16 - 3/4" Tees
- 8 - 10ft. length 3/4" PVC Pipe
- 4 - Extra Large Cable Ties
- 1 - 5 Minute Epoxy

**3/4" PVC Pipe Lengths:**

- 8 - 24"
- 4 - 54"
- 2 - 48"
- 2 - 5"
- 2 - 13 1/2"
- 8 - 12"
- 2 - 16"
- 6 - 2"

**1/2" PVC Pipe Lengths:**

- 2 - 3"
- 2 - 1 1/2"
- 2 - 59"
- 1 - 13"

**Tools List:**

- Electric Drill
- 11/64" Drill Bit
- 2" Hole Saw
- PVC Pipe Glue
- PVC Pipe Cutter
- Exacto Knife
- Tape Measure
- Pliers
- Small Drum Sander
- Hacksaw