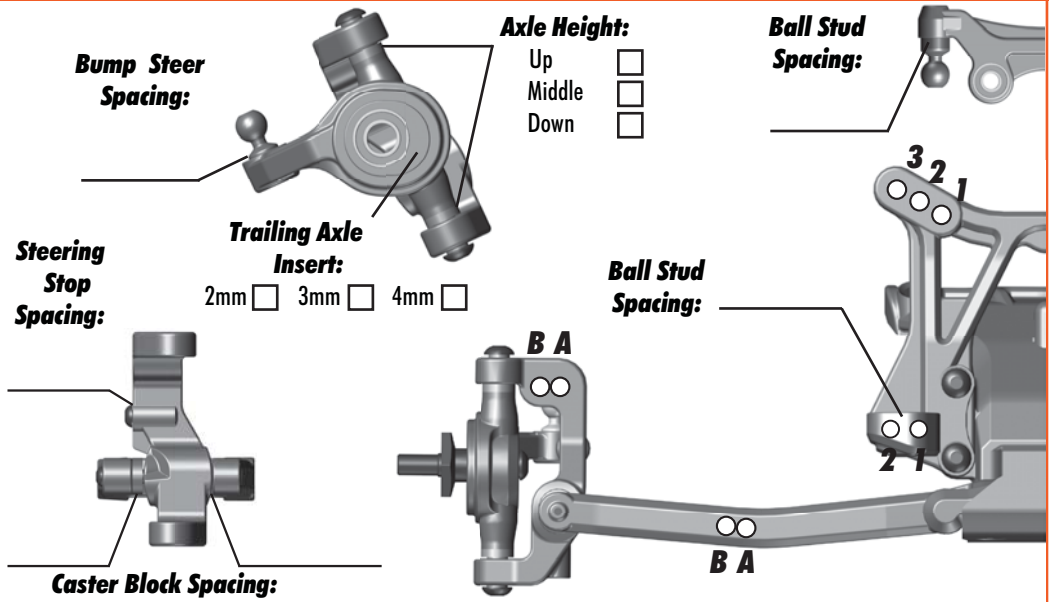


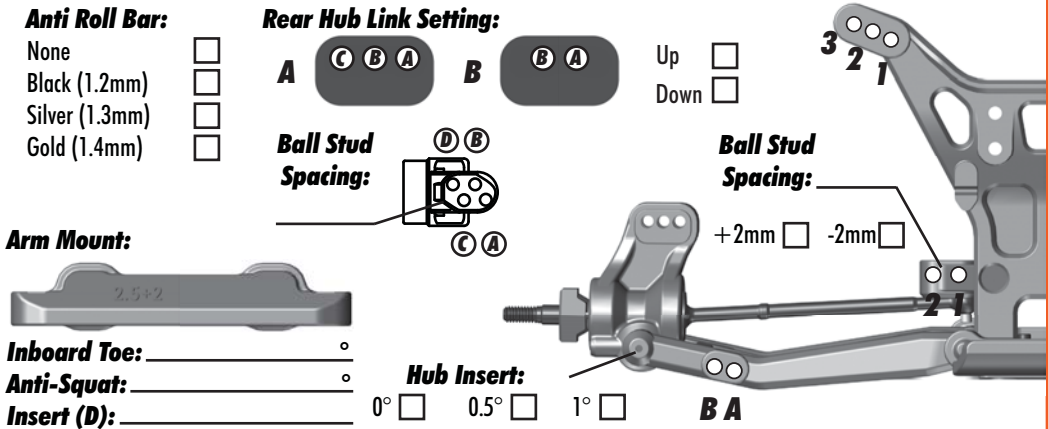
## FRONT SUSPENSION:

Camber: \_\_\_\_\_  
Total Toe: \_\_\_\_\_  
Ride Height: \_\_\_\_\_  
Arm Type: \_\_\_\_\_  
Tower Type: \_\_\_\_\_  
Caster Block Insert: \_\_\_\_\_  
Kick-Up Angle: \_\_\_\_\_  
Wheel Hex: \_\_\_\_\_  
Notes: \_\_\_\_\_



## REAR SUSPENSION:

Camber: \_\_\_\_\_  
Ride Height: \_\_\_\_\_  
Wheel Hex: \_\_\_\_\_  
Hub Spacing: Forward  Middle  Back   
Notes: \_\_\_\_\_



## ELECTRONICS:

Radio: \_\_\_\_\_ Servo: \_\_\_\_\_  
EPA: Throttle: \_\_\_\_\_ % Brake: \_\_\_\_\_ %  
ESC: \_\_\_\_\_  
ESC Settings: \_\_\_\_\_  
Motor: \_\_\_\_\_  
Wind: \_\_\_\_\_ Timing: \_\_\_\_\_  
Pinion: \_\_\_\_\_ Spur: \_\_\_\_\_  
Battery: \_\_\_\_\_  
Battery Position: \_\_\_\_\_

## DRIVETRAIN:

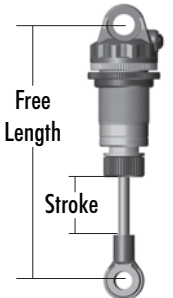
**Differential:** Ball  Gear   
**Gearbox:** 3 Gears  4 Gears   
Notes: \_\_\_\_\_

## SLIPPER CLUTCH:

Type: \_\_\_\_\_  
# of Pads: \_\_\_\_\_  
Notes: \_\_\_\_\_

## SHOCKS:

	Front	Rear
Piston:		
Oil:		
Spring:		
Limiters:		
Cup Offset:		
Stroke:		
Free Length:		
Notes:		



## TRACK INFO:

**Size:** Small  Medium  Large  Extra Large   
**Surfaces:** Dirt  Carpet  Astroturf  Multi Surface   
**Traction:** Low  Medium  High  Very High   
**Moisture:** Dry  Damp  Wet   
**Condition:** Indoor  Outdoor  Dusty  Hard Packed   
Bumpy  Grooved  Smooth  Loamy

Temperature: Ambient: \_\_\_\_\_ Track: \_\_\_\_\_  
Notes: \_\_\_\_\_

## TIRES:

\_\_\_\_\_ :F - Tires - R:  
\_\_\_\_\_ :F - Compound - R:  
\_\_\_\_\_ :F - Insert - R:  
\_\_\_\_\_ :F - Wheel - R:  
\_\_\_\_\_ :F - Notes - R:

## BODY & WING:

Body: \_\_\_\_\_  
Wing: \_\_\_\_\_  
Wing Angle: 0°  3°  6°   
Notes: \_\_\_\_\_

## RACE RESULTS:

Quality: \_\_\_\_\_ Main: \_\_\_\_\_  
Finish: \_\_\_\_\_ TQ:   
Best Lap Time: \_\_\_\_\_

## VEHICLE COMMENTS:

Total Vehicle Weight: \_\_\_\_\_