

Description

Part #

Picture

# in 2016 Kit

## AXLES

---

# 2 Axle

32062



32

---

# 3 Axle

4519



48

---

#3 Axle w/ stud

6587



4

---

#4 Axle

3705



12

---

# 4 Axle w/ stop

87083



8

---

#5 Axle

32073



12

---

#5.5 Axle w/ stop

32209



2

---





#6 Axle

3706
















16










---

#7 Axle	44294		16
#8 Axle	3707		2
#10 Axle	3737		4
#12 Axle	3708		2

## Connectors

#1 Angle Connector	32013		12
#2 Angle Connector	32034		4
#3 Angle Connector	32016		4
#4 Angle Connector	32192		4

#5 Angle Connector	32015		4
#6 Angle Connector	32014		16
Axle Joiner Inline Smooth	6538c		32
Axle Connector	6538b		4
Axle Connector Double Rubber	45590		8
Axle Joiner Perpendicular	6536		48
Axle Joiner Perpendicular 3 Long	32184		8
Axle Joiner Perpendicular Double	32291		8
Axle Joiner Perpendicular Double Split	41678		6

Axle Joiner Perpendicular Double 3 Long	32557		8
Axle Joiner Perpendicular Triple	63869		8
Axle Joiner Perpendicular w/ 2 Holes	42003		12
Bionicle Tooth	x346		8
Connector w/ Axle Hole	32039		4
Bionicle Fang	50914		4
Pin Joiner Perpendicular Bent	44809		4
Pin Connector	75535		4
Pole Reverser	6553		4

---

Axle Connector Hub w/ 3 Axles	57585		4
----------------------------------	-------	--	---


---

Universal Joint	9244		2
-----------------	------	---	---

---

### Liftarms Thick

---

1 x 2 Liftarm w/ Axle Hole	60483		8
-------------------------------	-------	---	---

---

1 x 3 Liftarm	32523		16
---------------	-------	--	----


---

1 x 5 Liftarm	32316		11
---------------	-------	---	----

---

1 x 5 Liftarm Bent (2 x 4)	32140		12
-------------------------------	-------	---	----








---

1 x 7 Liftarm	32524		16
---------------	-------	---	----


---










1 x 7 Liftarm Bent (4 x 4)	32348		16
-------------------------------	-------	---	----





---

1 x 7 Liftarm Bent (3 x 5)	32526		8
1 x 9 Liftarm	40490		12
1 x 9 Liftarm Bent (3 x 7)	32271		4
1 x 11 Liftarm	32525		12
1 x 11.5 Liftarm Double Bent	32009		6
1 x 13 Liftarm	41239		12
1 x 15 Liftarm	32278		16





## Pins

Pin 1/2	4274		16
---------	------	--	----










Pin 3/4	32002		16
Pin w/out Friction	3673		25
Pin w/ Friction	2780		122
Pin Long w/ Friction	6558		40
Pin Long w/ out Friction	32556		13
Pin w/ Out Friction 3 Long w/ Stop Bush	32054		16
Pin Towball	6628		8
Axle Pin w/ Friction	43093		80
Axle Pin w/ out Friction	3749		20









Axle Joiner 3 Long w/ 4 Pins	48989		13
Axle Joiner 3 x 3 w/ 4 Pins	55615		8
Axle Joiner 2 Long w/ 4 Pins	32138		3
Axle Towball	2736		2

## Gears

8 Tooth	3647		12
12 Tooth Double Bevel	32270		4
12 Tooth Single Bevel	6589		5
16 Tooth	4019		6




16 Tooth w/ Clutch	6542		2
20 Tooth Double Bevel	32269		8
24 Tooth	3648		8
24 Tooth Crown	3650b		4
36 Tooth Double Bevel	32498		6
40 Tooth	3649		6
Bush 1/2	4265c		42
Bush	3713		42
Cam	6575		4

Driving Ring	6539		2
Changeover Catch	6641		2
Differential	6573		1
Gear Rack 1 x 4	3743		4
Knob Wheel	32072		4
Low Profile Turn Table	48452cx1		1
Pulley Wheel	4185		4
Worm Gear	4716		2


---

### Liftarms Thin


---

1 x 3 Liftarm Thin	6632		16
--------------------	------	---	----

---

Triangle	2905		4
----------	------	--	---

---

Link 1 x 6	2739		3
------------	------	--	---

---

Link 1 x 9	32293		2
------------	-------	--	---


---

### Plates / Tiles

---

1 x 2 Tile	3069b		4
------------	-------	--	---

---

1 x 2 Plate	3023		8
-------------	------	--	---







---

1 x 4 Plate	3710		4
-------------	------	--	---



---








1 x 6 Plate	3666		4
-------------	------	--	---

---

1 x 8 Plate	3460		4
2 x 2 Round Dish	2654		4
2 x 2 Plate Round	4032b		4
2 x 4 Plate w/ holes	3709b		4
2 x 6 Plate w/ holes	32001		4
2 x 8 Plate w/ holes	3738		4

### Bricks




1 x 1 Cone	4589		3
1 x 2 w/ axle hole	32064		4

1 x 2 w/ Hole	3700		4
1 x 4 w/ Holes	3701		4
1 x 6 w/ Holes	3894		2
1 x 8 w/ Holes	3702		2
1 x 12 w/ Holes	3895		2
1 x 14 w/ Holes	32018		2
2 x 2 Round	3941		4

### Wheels

Wheel 30.4 x 20	56145		8
-----------------	-------	--	---

---

Technic Wedge Belt Wheel Tire	70162		4
Tire 56 x 26 Balloon	55976		2
Tire 43.2 x 22 ZR	44309		2
Tread	x1681		2

---

Description

Picture

# in 2016 Kit

## KIPR Metal

---

Strap 1 x 19



4

Strap 1 x 10



6

Channel 3 x 8



2

Channel 3 x 12



2

Channel 3 x 16



1

Plate 4 x 12



1

Chassis



1

Omni Chassis



1

Create2 Bracket Set



1 Set (2 different pieces)

D Bracket



1

Angle Bracket



2

Plus Bracket



1

Servo Bracket



4

Round Servo Horn



2

1 x 5 Servo Horn



2



Description

Picture

# in 2016 Kit

---

## SENSORS

---

### ANALOG

---

ET



2

Tophat



2

Small Tophat



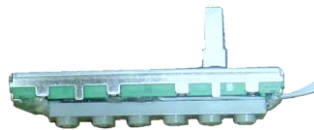
2

Light



3

Linear Slide



1

---

### DIGITAL

---

Lever



2

Small Touch



4

Large Touch



6

## MOTION

---

Servo SG-5010



5

Black Gear Motor  
SG-5010



5

Micro Servo SG-90  
(May be black)



2

Create2



1

Create Charger



1

## CONTROLLER

---

Wallaby



2

Camera



2

Wallaby Battery  
Charger



2

Wallaby Battery



2

USB Cable



2

## Screws, Nuts, and Standoffs

---

Screw 8-32 x 1/4"  
(black)



20

Screw 8-32 x 1/2"  
(black)



45

Screw 8-32 x 3/4"  
(black)



35

Screw M3 x 14mm  
(silver)



10

Nut 8-32 Keeps  
(black)



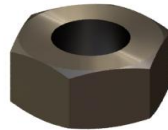
85

Nut 8-32 Nylock  
(black)



15

Nut M3 (silver)



8

Standoff 8-32 x 1/2"



12

Standoff 8-32 x 1"



7

Standoff 8-32 x 2"



2

Standoff 8-32 x 3"



1

Short Silver Servo  
Horn Screw



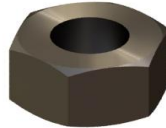
3

Long Silver Servo  
Horn Screw



2

Silver Servo Horn  
Nut



5

Silver Servo Horn  
Machine Screw



5

Threaded Rod 8-  
32 x 1"



10

Threaded Rod 8-  
32 x 2"



2

Threaded Rod 8-  
32 x 3"



2

Threaded Rod 8-  
32 x 6"



1

### MISC.

---

Servo Extension  
Cable



3

Sensor Extension  
Cable



1

Brass Screws



1 bag

Push Rivet



50

Omni Wheel



3

Caster



1

Description

Picture

# in 2016 Kit

## IGUS

---

Linear Bearing  
NW-02-17



2

Linear Slide NK-  
02-17



1

Chain Link 05-  
20-038



50

End Link 050-  
20-1



2