



GENERAL CATALOGUE

> 2015-2016



RIELLO ELETTRONICA  **riello ups**

Reliable power
for a sustainable world



Reliable power for a sustainable world

Contents

Key	4
------------	----------

Company

<i>Riello Elettronica and Riello UPS</i>	6
<i>Riello and Ducati</i>	8
<i>Riello UPS Brand values</i>	10
<i>Energy and sustainability</i>	11

Quick references

<i>Guide to choosing a UPS</i>	14
<i>Options and accessories compatibility table</i>	16

Areas / Scope

<i>SoHo Area</i>	18
<i>Data Centre Area</i>	19
<i>E-Medical Area</i>	20
<i>Industry Area</i>	21
<i>Transport Area</i>	22
<i>Emergency Area</i>	23

UPS Standard

<i>iPlug</i>	26
<i>iDialog</i>	30
<i>iDialog Rack</i>	32
<i>Net Power</i>	34
<i>Vision</i>	36
<i>Vision Rack</i>	40
<i>Vision Dual</i>	44

<i>Sentinel Pro</i>	48
<i>Sentinel Dual LOW POWER</i>	52
<i>Sentinel Dual HIGH POWER</i>	56
<i>Sentinel Power Green</i>	62
<i>Sentinel Power</i>	66
<i>Multi Sentry</i>	70
<i>Master MPS</i>	80
<i>Master HP</i>	88
<i>Master HE</i>	92
<i>Master HP UL</i>	96
<i>Master Industrial</i>	100
<i>Master FC400</i>	102

Modular UPS

<i>Multi Power</i>	106
<i>Multi Guard</i>	112
<i>Multi Guard Industrial</i>	116

CPSS

<i>Central Supply Systems CSS</i>	122
-----------------------------------	------------

Transfer Systems

<i>Multi Switch</i>	128
<i>Multi Switch ATS</i>	130
<i>Master Switch STS Single-phase</i>	132
<i>Master Switch STS Three-phase</i>	134
<i>Master Static Bypass</i>	138



Power solutions	142
------------------------	------------

<i>SuperCaps UPS</i>	144
----------------------	------------

<i>Master VDC</i>	146
-------------------	------------

Software and accessories	150
---------------------------------	------------

<i>PowerShield³</i>	152
--------------------------------	------------

<i>PowerNetGuard</i>	153
----------------------	------------

<i>NetMan 204</i>	154
-------------------	------------

<i>MultiCOM 302</i>	155
---------------------	------------

<i>MultiCOM 352</i>	155
---------------------	------------

<i>MultiCOM 372</i>	155
---------------------	------------

<i>MultiCOM 382</i>	156
---------------------	------------

<i>MultiCOM 401</i>	156
---------------------	------------

<i>Multi I/O</i>	156
------------------	------------

<i>I/O</i>	157
------------	------------

<i>GSM Modem</i>	157
------------------	------------

<i>RTG 100</i>	157
----------------	------------

<i>Multi Panel</i>	158
--------------------	------------

<i>Multi Pass 10, 16 & 16-R</i>	159
-------------------------------------	------------

<i>MBB32A</i>	159
---------------	------------

<i>MBB100A</i>	159
----------------	------------

Connectivity	160
---------------------	------------

<i>Point to point</i>	162
-----------------------	------------

<i>Multipoint</i>	163
-------------------	------------

<i>UPS in parallel</i>	163
------------------------	------------

<i>Several systems in parallel and STS</i>	164
--	------------

<i>Field bus over Ethernet</i>	164
--------------------------------	------------

<i>Modbus serial field bus</i>	165
--------------------------------	------------

<i>Profibus DP serial field bus</i>	165
-------------------------------------	------------

<i>Virtualized systems</i>	166
----------------------------	------------

Technical pages	168
------------------------	------------

<i>Power problems</i>	170
-----------------------	------------

<i>Types of UPS</i>	171
---------------------	------------

<i>Evaluation parameters</i>	172
------------------------------	------------

<i>Main disturbances</i>	173
--------------------------	------------

<i>Harmonics</i>	174
------------------	------------

<i>UPS connected in parallel</i>	175
----------------------------------	------------

<i>Batteries</i>	176
------------------	------------

<i>Current values</i>	177
-----------------------	------------

Services and contacts	178
------------------------------	------------

<i>Services and Consultancy</i>	180
---------------------------------	------------

<i>Operating Offices</i>	182
--------------------------	------------

Key

1:1	Single-phase input and output		Tower
1:3	Single-phase input, three-phase output		Rack
3:1	Three-phase input, single-phase output		Reversible Rack / Tower
3:3	Three-phase input and output		Modular system
1-3:1	Single-phase or three-phase input, single-phase output		UPS suitable for home - small office applications
1-3:3	Single-phase or three-phase input, three-phase output		UPS suitable for data centre applications
VFD TYPE	UPS VFD (Voltage Frequency Dependent)		UPS suitable for electro-medical applications
VI TYPE	UPS Line Interactive (Voltage Independent)		UPS suitable for industrial applications
VFI TYPE	UPS Online (Voltage Frequency Independent)		UPS suitable for transport applications (railways, airports, naval)
			UPS suitable for emergency applications



UPS with UL certificate



UPS with GS Nemko certificate



UPS ready for use in smart grids



Battery Swap. The batteries can be replaced during operation



UPS that can be combined with a flywheel



UPS also available with supercaps instead of batteries



Energy share. The load supplied from these sockets is not battery supported.



Plug and play. The UPS can be installed without the need for qualified personnel



Installation and initial start up should be carried out by qualified personnel



The device has a USB port



Airport/Shipyards



UPS classification Eco Level = 1



UPS classification Eco Level = 2



UPS classification Eco Level = 3



UPS classification Eco Level = 4



UPS classification Eco Level = 5



UPS classification Eco Level = 6



Riello Elettronica and Riello UPS.

We transform energy, continuously.

Riello Elettronica has been a solid point of reference on the industrial world stage for decades, gaining credibility as well as differentiating its presence in diversified markets. Riello UPS brand is now a world leader in the uninterruptible power supplies business.

BUSINESS AREAS

A world without power is unthinkable. Everything moves and depends on energy. In our advanced society, any interruption in the supply of power, from a short sag or surge to a complete mains supply failure demonstrates just fundamental energy is to our daily lives. If we are to maintain the delicate balance between man and nature, energy must also be managed, generated and delivered safely in a way that is as environmentally friendly as possible. Environmental considerations are now central to almost every project and investment decision, reflecting the very real need to change our thinking about energy generation and consumption.

POWER | Our core business is energy conversion and the manufacture of Uninterruptible Power Supplies (UPS) devices that ensure power quality and business continuity, guaranteeing a power supply and the correct operation of systems even in the event a critical power failure. The Riello Elettronica Group is passionate about reducing energy consumption in order to contribute to the sustainable development of our planet. We aim to achieve this through a combination of environmentally friendly projects, investment and research into new technologies from clean and renewable sources, and through the creation of solar energy conversion systems (inverters) and cogeneration systems.

AUTOMATION | The Group has a strong presence in command and control systems sector for domestic and industrial automation. We work with a passion for progress, with the utmost respect for laws and standards and the environment. We draw up, develop, produce and distribute complete automation systems for access control.

SAFETY & SECURITY | We design and manufacture a complete range of solutions for intrusion, fire detection and domotics. Our products are designed to ensure optimum performance and the highest levels of employee safety and we utilise advanced technologies to create products that conform to international quality standards.

REAL ESTATE | The Group conducts its business activities through real estate property management and also through environmental protection activities with investment in agricultural holdings.

Continuous growth and successful figures; this is how Riello Elettronica continues its entrepreneurial tradition of innovation, meeting global challenges and the development of 'made in Italy' technology across international markets.

BUSINESS UNITS

POWER

Riello UPS A global leader in power continuity thanks to a comprehensive range of UPS (Uninterruptible Power Supplies).

Aros Solar Technology Photovoltaic Inverter (PV) and Energy Storage Systems to cover every need, from small domestic systems to solar power plants.

EnerBlu Cogeneration Cogeneration plants to meet energy saving requirements.

AUTOMATION

Cardin A wide range of automation systems for access control.

Ceimu Hydraulic plants, lubrication and automation installations for a wide variety of industrial applications.

SAFETY & SECURITY

AVS Electronics Systems for intrusion, fire alarm and domotics.

Gamma Systems Products for the safety of workers in dangerous areas.



HEADQUARTERS

Technology and innovation have always been the hallmarks of Riello Elettronica. They are the drivers behind our success – both globally and locally – and the outward expression of the entrepreneurial legacy that has its roots in Verona and surrounding

areas. We are proud to maintain strong links with our local communities through our sponsorship and donation programmes which support local cultural, sporting and charitable activities and reflect the increasing social responsibility of the Group.

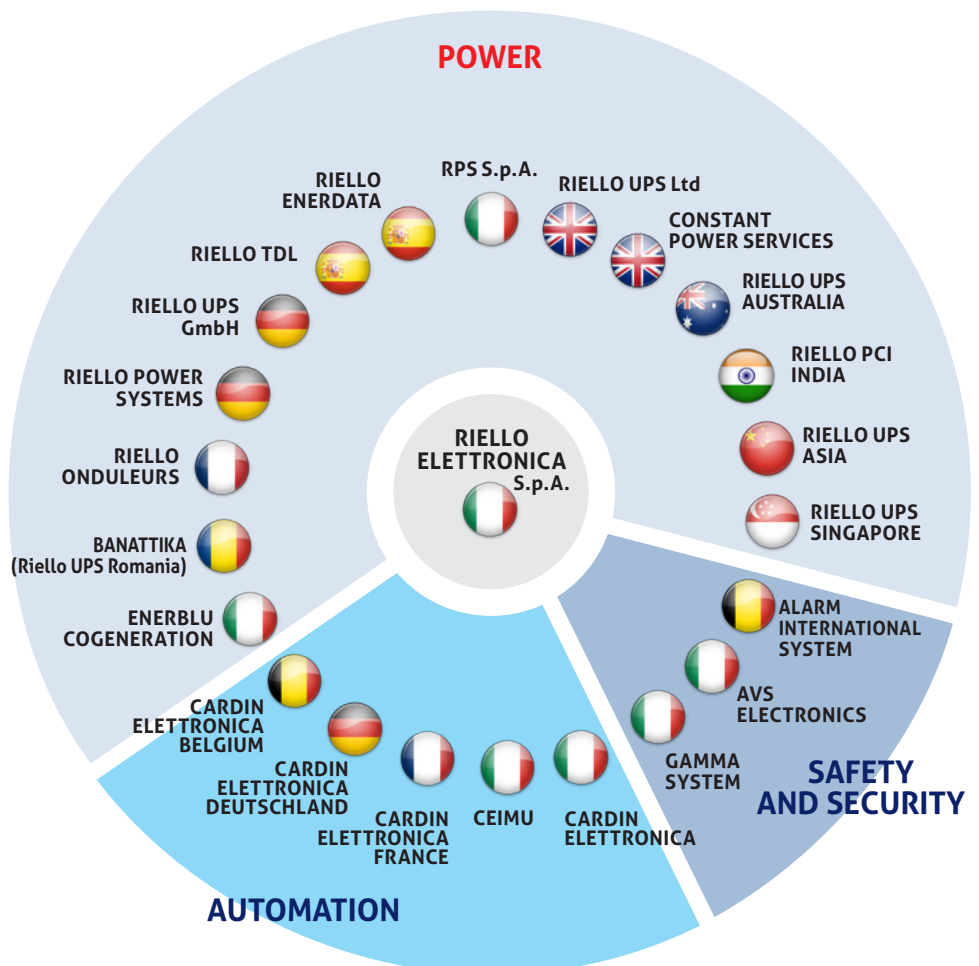
23
CONTROLLED COMPANIES

800
EMPLOYEES

80
BUSINESS COUNTRIES

9
PRODUCTION SITES

Figures 2014



RIELLO ELETTRONICA
riello ups

DUCATI

Perfect synergy



High performance
Unlimited energy
Italian technology
This is what we have in
common with Ducati



Riello UPS is the official sponsor of the Ducati Corse MotoGP Team. Our partnership with Ducati provides Riello UPS with high levels of visibility and worldwide prestige. The two companies share values and principles that unite them in perfect synergy.



Official Sponsor



Riello UPS

Brand Values

Innovation - the secret of an all-Italian success story

Riello UPS offers a vast range of products, organised into 22 ranges of uninterruptible power supplies (UPS)-based on several different state-of-the-art technological architectures. Thanks to its two research centres in Legnago (Verona) and Cormano (Milan), world class centres of excellence for the design, development and testing of uninterruptible power supplies, Riello UPS can constantly innovate its product portfolio, keeping it at the pinnacle of performance, reliability and competition. In addition, in the event of large tenders or commissions Riello UPS often also provides bespoke solutions based on the specifications provided, demonstrating its attention to the customer's individual requirements.

Riello UPS designs and manufactures its UPS in Italy in order to maintain direct control over quality and reliability standards, and by closely following the entire manufacturing process, sales and after-sales service. This strategy allows for a process of continuous improvement, monitoring customer opinions and using them to make rapid adjustments to optimise features as required by the market.

This process of continuous improvement, as well as having a direct effect and benefit on sales and after-sales service, helps to further consolidate Riello UPS's image as a reliable, dynamic and quality-oriented company.

It doesn't stop here however: the solid results achieved by Riello UPS in the development of UPS solutions equipped with completely innovative and avant-garde technologies such as the SuperCaps UPS and Smart Grid Ready UPS, i.e. ready for intelligent power distribution grids which represent the future of energy supply, are the best demonstration that innovation and quality really are the secrets of Riello UPS's success.





Energy and sustainability

Reliable power for a sustainable world

“Reliable power for a sustainable world” - the Riello UPS philosophy condensed into a few simple words - a global brand constantly searching for the most innovative solutions

Riello UPS manufactures efficient solutions that ensure power quality and business continuity, guaranteeing power supply and the correct operation of systems even in the event of critical situations.

Riello UPS is constantly implementing new solutions into its products that are aimed at reducing power consumption by increasing efficiency, and actively participating in the promotion of sustainable development. To this end the company also sets up environmental projects and makes large investments in the development of new technologies for harvesting clean and renewable energy sources. Riello UPS 's social commitment aims to help the present as well as shape a bright future, combining the inevitable need for energy with environmental protection.

The environmental management system employed by Riello UPS is ISO14001 certified.

Riello UPS has always been a strong supporter of the Code of Conduct on Energy Efficiency and Quality of AC Uninterruptible Power Systems, a document signed by the major European manufacturers of UPS addressed to the European Commission.

It sets out the energy efficiency targets for power ranges from 300 VA to >200 kVA, from 25% to 100% loads. Riello UPS was also the first European Manufacturer to identify its products in terms of ECO energy efficiency ratings.

ECO ENERGY LEVELS

Riello UPS uninterruptible power supplies power some of the most critical data centres and servers in use today. Within these environments, energy management is critical. Running costs must be minimized without compromising resilience, i.e. the ability to adapt to adverse external conditions whilst ensuring complete



availability of the services provided. Equipment must operate at the highest possible levels of efficiency to reduce the strain on critical power supplies and minimise the effect on the installation area.

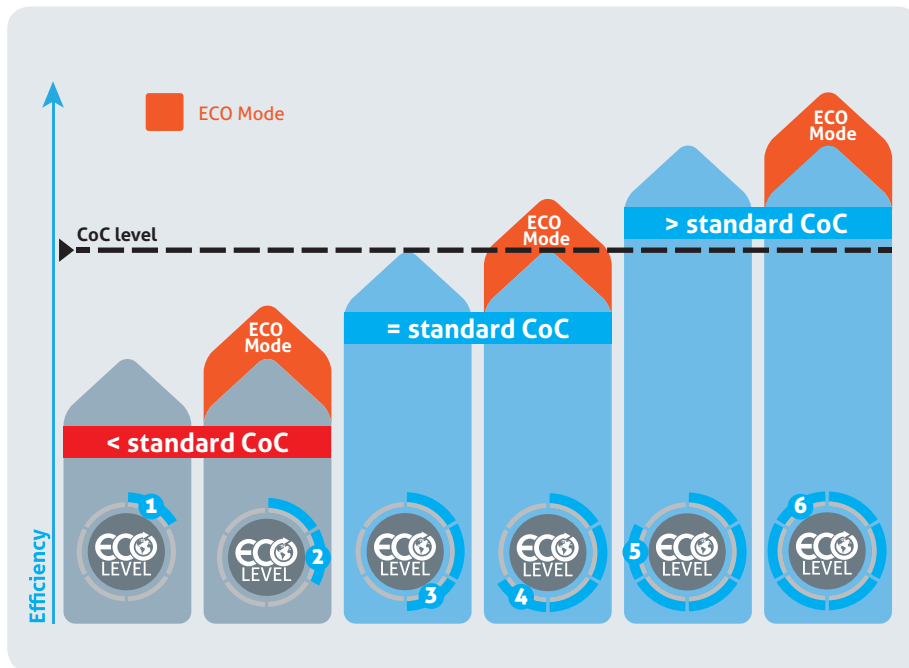
Riello UPS models have always been compliant with the highest levels of efficiency in terms of energy protection and are classified according to a scale with 6 levels, corresponding with the efficiency value of the UPS with respect to the European Code of Conduct; this is known as the Eco Energy Level.

The ECO Energy Level is a tool implemented by Riello UPS to help customers to identify the products with the highest levels of efficiency in terms of energy protection; the 6 levels have recently been updated to comply with the stringent new efficiency levels required by the CoC.

In addition to this, the availability of Smart Mode provides a further method for improving efficiency by furthering Eco Energy Levels assessment.

Riello UPS 's Eco Energy Level is more than just a concept; it is a system that demonstrates how the UPS that get the highest marks (levels 4, 5 and 6) are more efficient, and therefore more beneficial economically and environmentally.

The Eco Energy Level system demonstrates both how the most efficient UPS provide energy savings that allow the cost of their purchase to be recovered quickly with respect to standard efficiency UPS, as well as how their use leads to significant reductions in carbon emissions into the atmosphere. An Energy Saving Calculator is available at www.riello-ups.com to help calculate the energy and cost savings as well as the reduction in CO₂ emissions that can be achieved by using Riello UPS Eco Energy Level products.



THE HUMAN FACTOR, ADDED VALUE

The concepts of product quality and excellence are central to Riello UPS's corporate philosophy, but this is combined with a further concept: the value of people, whether they are customers, users or colleagues.

At every staff level in Riello UPS, the sense of belonging to the company and respect for others has created an excellent working environment, which has been instrumental in achieving the great results enjoyed by Riello UPS. The team work that leads everyone to give their best every day, coordinating with colleagues to achieve the set results

is the result of the careful selection, management and training of staff, but also and above all thanks to a healthy attitude of sharing targets at all levels and an ethical belief in added value.

One of the secrets of Riello UPS's success as a company is the reciprocal respect for each person's contributions and the shared effort to ensure the best levels of service and highest levels of customer satisfaction.

Proof of this are the awards that Riello UPS has received and continues to receive, the latest from Frost & Sullivan, who awarded Riello UPS with the "Best Practices Award 2014".



UPS SMART GRID READY



The evolution of electrical power grids is a key element for achieving greater sustainability; particularly fundamental are the power management systems for balancing supply and demand, for using energy in the most sustainable and efficient way: smart grids.

Smart grids are nothing more than power grids that efficiently integrate and manage the behaviour and actions of all the connected consumers (generators, output points, etc.), with the aim of ensuring the economically efficient operation of the electrical system, with

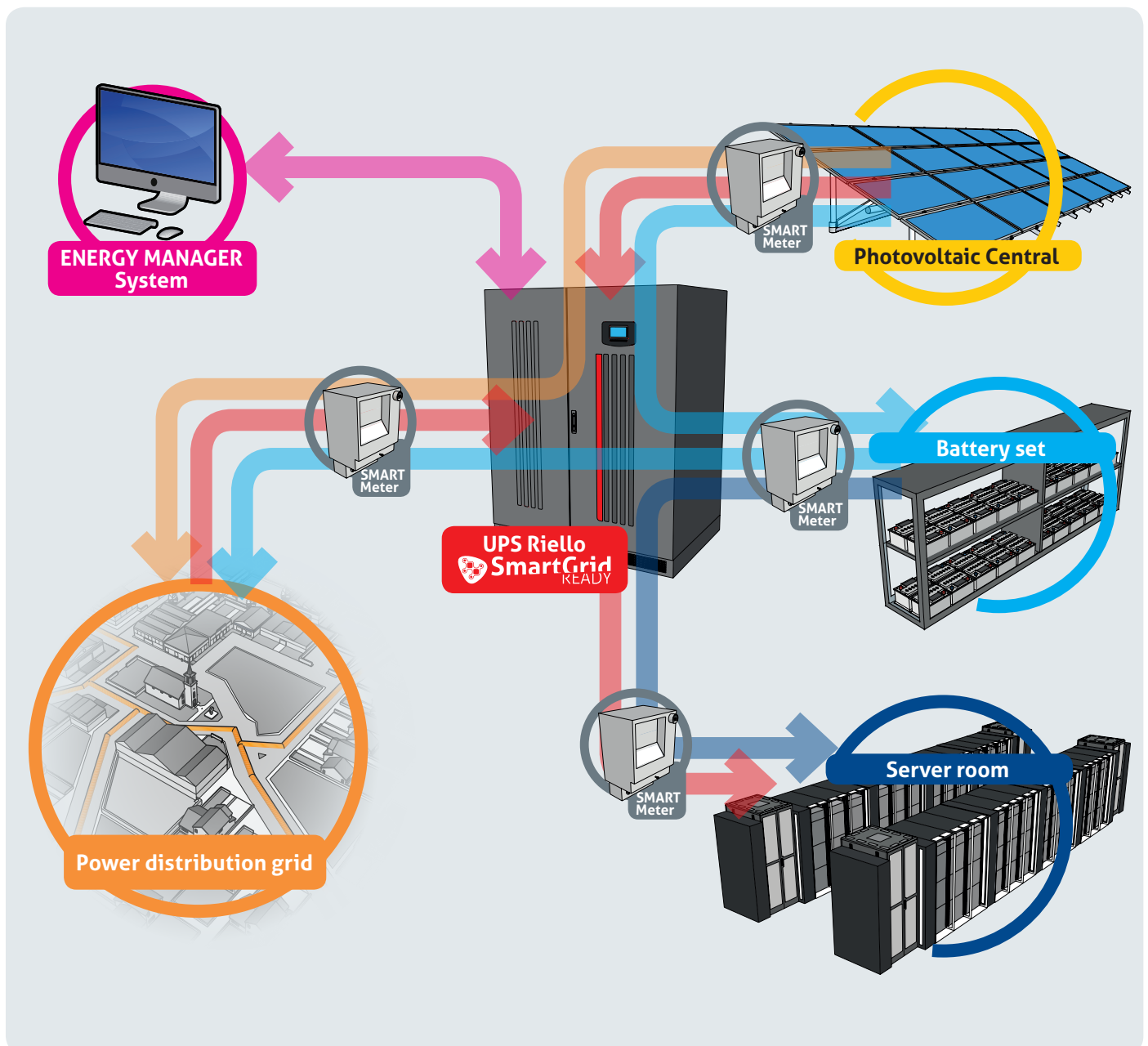
a high level of safety, continuity and quality of supply.

Smart grids not only introduce new concepts to power grids but also new business opportunities with regards to installations with UPS: batteries represent significant investments, but they are only partially used. Using these distributed power accumulators and generating business in power accumulation scenarios will become fundamentally important.

Smart grids also mean the integration of different energy sources, two-way flow, information exchange grids and centralised management. In this new scenario installations with UPS can take on new roles, becoming virtual power plants, decentralised power accumulation

systems, variable power generators and above all they can be combined with renewable energy sources.

In order to be "smart grid ready", UPS must allow for the implementation of power accumulation solutions, and at the same time ensure extremely high levels of efficiency. They must also be able to independently select the most efficient operating method based on the status of the grid. They must be able to electronically interface with the energy manager using the smart grid communication network. Always open to technological innovation, Riello UPS has invested in research and technology to develop smart grid ready products, creating the Master HE, Master HP, Master MPS and Multi Sentry ranges, the first smart grid ready UPS on the market.



Guide to choosing a UPS

Choose the main parameters required for your installation and discover which UPS in the Riello range can meet your needs. Further details are provided in the dedicated pages for each product.

Parameters



	Type			Instal	Specifications								Connect				Areas							
	UPS VFD	UPS VI	UPS VFI		Tower / Rack / Modular	1 - 1	1/3 - 1	1/3 - 3	3 - 3	Manual bypass	Internal batteries	Parallelable	Transformerless	Transforbased	USB	RS232	Dry contact	# Slot	EPO	Soho	DataCentre	e-Medical	Industry	Transport
iPLUG	●			T	●					●	●		●			-			●					
iDIALOG	●			T	●					●	●		●			-			●					
iDIALOG RACK	●			R	●					●	●		●	●				●	●					
NET POWER		●		T	●					●	●		●	Ⓢ	-				●					
VISION		●		T	●					●	●		●	●	opt	1			●					
VISION RACK		●		R	●					●	●		●	●	opt	1	●	●	●					
VISION DUAL		●		T R	●					●	●		●	●	opt	1	●	●	●					
SENTINEL PRO			●	T	●					●	●		●	●	opt	1		●		●	●			●
SENTINEL DUAL low power			●	T R	●					●	●		●	●	opt	1	●	●	●	●	●	●	●	●
SENTINEL DUAL high power			●	T R	Ⓐ	Ⓑ				●	●		●	●	opt	1	●	●	●	●	●	●	●	●
SENTINEL POWER GREEN			●	T	Ⓒ	Ⓓ			●	●	●		●	●	opt	1	●	●	●	●	●	●	●	●
SENTINEL POWER			●	T	Ⓔ	Ⓕ			●	●	●		●	●	opt	1	●	●	●	●	●	●	●	●
MULTI SENTRY			●	T		●	●	●	●	●	●		●	●	opt	2	●		●	●	●	●	●	●
MASTER MPS			●	T		Ⓖ	●	●		●		●	●	std	2	●	●		●	●	●	●	●	●
MASTER HP			●	T			●	●		●		●	●	std	2	●	●		●	●	●	●	●	●
MASTER HE			●	T			●	●		●		●	●	std	2	●	●		●	●	●	●	●	●
MASTER HP UL			●	T			●	●		●		●	●	std	2	●	●		●	●	●	●	●	●
MASTER INDUSTRIAL			●	T		Ⓖ		●		●		●	●	std	2	●	●				●	●		
EMERGENCY solution CSS 1 h			●	T		●	●	●		●	●		●	●	opt	2	●				●			●
EMERGENCY solution CSS 3 h			●	T		Ⓖ	●	●		●		●	●	std	2	●	●				●			●
MASTER FC400			●	T			●			Ⓗ		●	●	std	2	●	●						●	
MULTI POWER			●	M			●	●	●	●	●		●	●	opt	2	●		●				●	
MULTI GUARD			●	M			●	●	●	●	●			opt	1	●	●		●				●	
MULTI GUARD INDUSTRIAL			●	M		●	●	●	●	●	●		●	●	opt	2	●		●	●	●	●		
MASTER STATIC BYPASS	-	-	-	T					-	-	-	-	●	std	2				●					
MULTI SWITCH	-	-	-	R	●				-	-	-	-	●	-	1				●					
MULTI SWITCH ATS	-	-	-	R	●				-	-	-	-	●	std	1				●					
MASTER SWITCH STS 1ph	-	-	-	R	●				-	-	-	-	●	std	1				●					
MASTER SWITCH STS 3ph	-	-	-	T				●	-	-	-	-	●	std					●					



Key

- A** 3.3 - 4 - 5 - 6 - 8 - 10 kVA
- B** 6.5 - 8 - 10 kVA
- C** 6 kVA
- D** 8 - 10 - 15 - 20 kVA

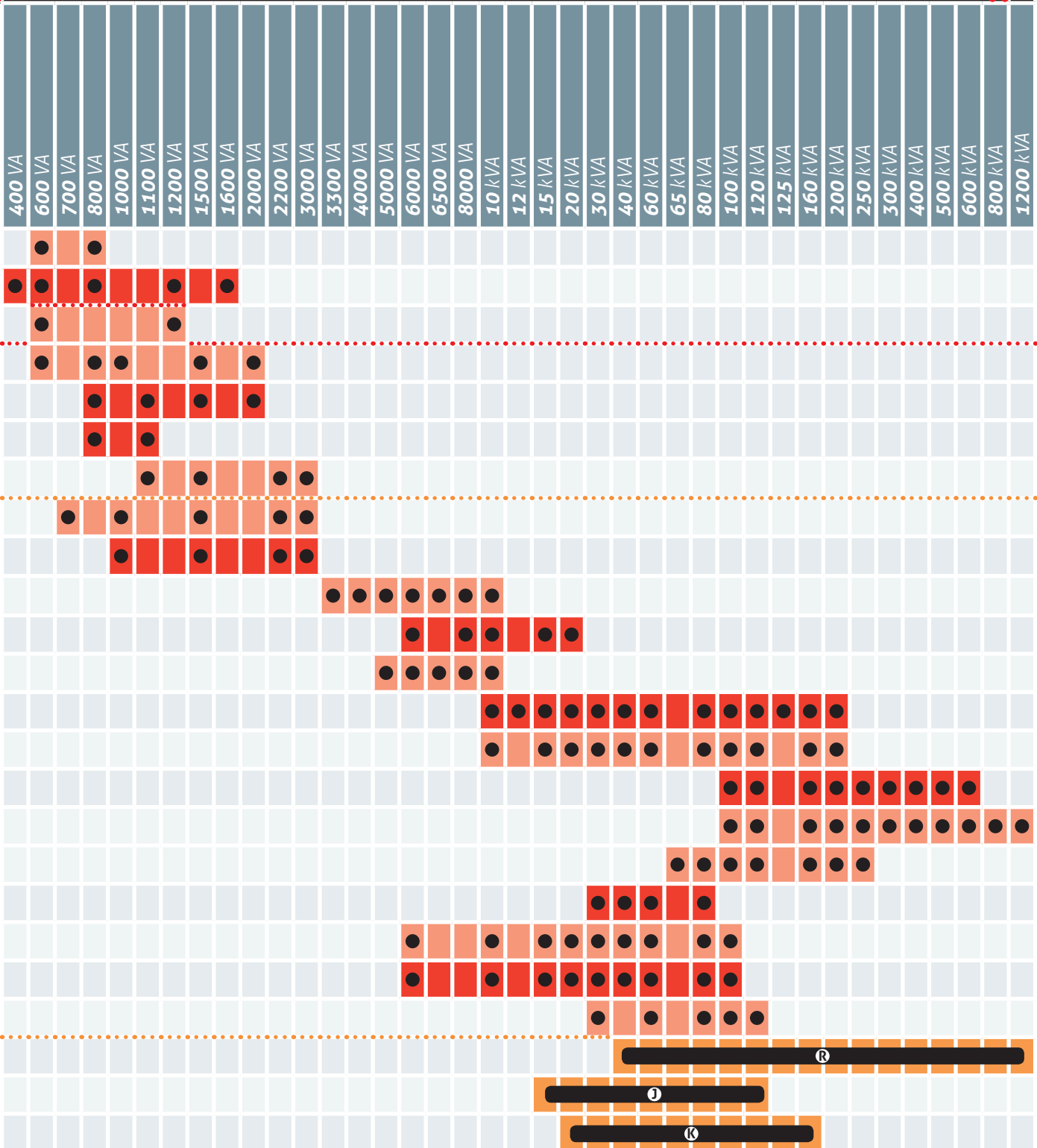
- E** 5 - 6 kVA
- F** 6.5 - 8 - 10 kVA
- G** 3ph input only
- H** Except 30 kVA

- J** 1+8 x 15 kVA
- K** 1+8 x 20 kVA
- Q** 1000 ÷ 2000 VA
- R** 1 ÷ 28 x 42 kW + redundancy

opt optional
std standard

Power

info



UPS page
26
30
32
34
36
40
44
48
52
56
62
66
70
80
88
92
96
100
122
122
102
106
112
116
138
128
130
132
134

Options and accessories compatibility table

Identify the UPS that supports the software and accessories your installation requires.

Parameters



	Software		Accessories											
	POWERSHIELD ³ Shutdown software	POWERNETGUARD Inventory manager software	NETMAN 204 Card - Ethernet - SNMP v1,v3	MULTICOM 302 Card - Modbus/Jbus interface	MULTICOM 352 Card - Interface duplexer	MULTICOM 372 Card - RS232 interface	MULTICOM 382 Card - Relay I/O interface	MULTICOM 401 Box - Profibus DP interface	MULTI I/O Box - Relay I/O Card & Modbus/Jbus interface	INTERFACE KIT AS400	MULTIPANEL Remote Display interface	RTG 100 Modem GPRS	MODEM 56k	MODEM GSM
iPLUG	●													
iDIALOG	●													
iDIALOG RACK	●		Ⓟ	Ⓟ	Ⓟ									
NET POWER	●	Ⓟ	Ⓟ	Ⓟ	Ⓟ			Ⓟ	Ⓟ					
VISION	●	●	●	●	●	●	●	●	●	●	●	●		
VISION RACK	●	●	●	●	●	●	●	●	●	●	●	●		
VISION DUAL	●	●	●	●	●	●	●	●	●	●	●	●		
SENTINEL PRO	●	●	●	●	●	●	●	●	●	●	●	●		
SENTINEL DUAL low power	●	●	●	●	●	●	●	●	●	●	●	●		
SENTINEL DUAL high power	●	●	●	●	●	●	●	●	●	●	●	●		
SENTINEL POWER GREEN	●	●	●	●	●	●	●	●	●	●	●	●		
SENTINEL POWER	●	●	●	●	●	●	●	●	●	●	●	●		
MULTI SENTRY	●	●	●	●	●	●	●	●	●	●	●	●	●	●
MASTER MPS	●	●	●	●	●			●	●	●	●	●	●	●
MASTER HP	●	●	●	●	●			●	●	●	●	●	●	●
MASTER HE	●	●	●	●	●			●	●	●	●	●	●	●
MASTER HP UL	●	●	●	●	●			●	●	●	●	●	●	●
MASTER INDUSTRIAL	●	●	●	●	●			●	●	●	●	●	●	●
EMERGENCY solution CSS 1 h	●	●	●	●	●			●	●	●	●	●	●	●
EMERGENCY solution CSS 3 h	●	●	●	●	●			●	●	●	●	●	●	●
MASTER FC400	●	●	●	●	●			●	●	●	●	●	●	●
MULTI POWER	●	●	●	●	●	●	●	●	●	●	●	●	●	●
MULTI GUARD	●	●												
MULTI GUARD INDUSTRIAL	●	●	●	●	●	●	●	●	●	●	●	●		
MASTER STATIC BYPASS	●	●	Ⓟ	Ⓟ	Ⓟ			●	●	●	●	●	●	●
MULTI SWITCH		●	●											
MULTI SWITCH ATS	●		●	●	●									
MASTER SWITCH STS 1ph	●		●	●	●									
MASTER SWITCH STS 3ph	●		Ⓟ	Ⓟ	Ⓟ									



Key

- Ⓛ 1000 - 1500 - 2000 VA
- Ⓜ 3300 - 4000 VA
- Ⓝ 20 kVA 1:1, 40 kVA 3:3
- Ⓞ Included only in version N

Ⓟ In combination with communication card adapter



Accessories

info

MANUAL BYPASS 16A MBB 16A	MAN. BYPASS 16A RACK MBBR 16A	AUTOM. BYPASS 16A MBB 16A	AUT. BYPASS 16A RACK MBBR 16A	MANUAL BYPASS 100A MBB 100A		ACRONYMS	UPS page
					iPLUG	IPG	26
					iDIALOG	IDG	30
					iDIALOG RACK	IDR	32
					NET POWER	NPW	34
					VISION	VST	36
					VISION RACK	VSR	40
●	●	●	●		VISION DUAL	VSD	44
●		●			SENTINEL PRO	SEP	48
●	●	●	●		SENTINEL DUAL low power	SDH	52
Ⓜ	Ⓜ	Ⓜ	Ⓜ		SENTINEL DUAL high power	SDL	56
				●	SENTINEL POWER GREEN	SPM / SPH	62
				●	SENTINEL POWER	SPW / SPT	66
				Ⓝ	MULTI SENTRY	MCM / MSM / MCT / MST	70
				Ⓝ	MASTER MPS	MPM / MPT	80
					MASTER HP	MHT	88
					MASTER HE	MHE	92
					MASTER HP UL	MHT UL	96
					MASTER INDUSTRIAL	MIM	100
					EMERGENCY solution CSS 1 h	C1T / C1M	122
					EMERGENCY solution CSS 3 h	C3T / C3M	122
					MASTER FC400	MFC	102
					MULTI POWER	MPW	106
					MULTI GUARD	GMT	112
					MULTI GUARD INDUSTRIAL	GMI	116
					MASTER STATIC BYPASS	MSB	138
					MULTI SWITCH	MSW	128
					MULTI SWITCH ATS	MTA	130
					MASTER SWITCH STS 1ph	MMS	132
					MASTER SWITCH STS 3ph	MTS	134



Other specific options can be found on the dedicated product pages



SoHo Area

RECOMMENDED PRODUCTS

iPlug



Net Power



Vision



Vision Dual



Sentinel Pro



Sentinel Dual Low Power



REFERENCES

Italy

- Consip
- Carrefour
- Dico / Coop

Sweden

- Ikea

Germany

- Hilton Hotel
- Mc Donald's

UAE

- Royal Intern.

Portugal

- Intermarché

France

- Carrefour

Australia

- Toys "R" us
- Lonely Planet

United Kingdom

- ASDA

FEATURES

- Low energy consumption
- Small footprint
- Silent operation
- Advanced communication

APPLICATIONS

- Entertainment systems
- Personal computers
- xDSL connections
- POS systems

The SoHo market is becoming more and more important, covering the market sector that includes professionals, small businesses and freelance professionals working from home. No less important are domestic consumers, with the rise of entertainment devices and media centres requiring ever higher quality power supply and protection from interference and black-outs.

LOW ENERGY CONSUMPTION

Reducing energy consumption has become an economical necessity as well as an environmental obligation. It is therefore essential to choose UPS that employ green technology such as those made by Riello UPS, designed to achieve the best energy

efficiency and lowest environmental impact, whilst still providing the best possible performance.

SMALL FOOTPRINT

The small footprint of Riello's UPS allow them to be easily installed anywhere in the office work space, without creating any interference with customer areas. There are also rack versions.

SILENT OPERATION

In the workplace and above all in the home, the silent operation of equipment is very important. This is why our UPS are equipped with a sophisticated microprocessor control system able to reduce the speed of the fans and switch

them off when not required.

The entire Off-line range offers maximum silent operation thanks to the employment of high frequency components and the absence of moving parts, the noise level is equal to 0 dbA.

ADVANCED COMMUNICATION

Riello UPS's UPS are equipped with USB and RS232 communication ports, allowing for full management and communication with the UPS to preserve data and make your IT systems secure.

UPS with LI and OL technology are also equipped with expansion slots to house the various different communication options offered by Riello UPS.





Datacentre Area

RECOMMENDED PRODUCTS

Multi Sentry



Multi Power



Master HP/HE



Master MPS



Sentinel Power



Vision Dual



REFERENCES

China

- China Mobile

Korea

- Telecom

Germany

- Sun Microsystems
- German Government
- Deutsche Bank
- Allianz

India

- Samsung India Electronics
- Sify

Italy

- Poste Italiane
- Telecom Italia
- ENI
- Enel

Malaysia

- CSF

Spain

- Globalswitch
- Telefonica

United Kingdom

- ServerChoice
- UniLever

FEATURES

- Extremely high availability
- Low energy consumption
- Small footprint
- Flexible configurations

APPLICATIONS

- Data centres
- Server farms
- Large databases
- Telecommunications and IT
- Banks and insurance companies

Data centres represent one of a company's most fundamental assets: a structure on which the entire organisation depends. This is why it is important to ensure these systems are both functional and reliable, starting from the correct electrical layout of the system and following precise quality criteria.

AVAILABILITY

According to the TIER standard, system availability should fall between 99.9 and 99.9999%: downtime is not an option. Using high quality Riello UPS uninterruptible power supplies in a well-designed system,

this level of availability can be achieved. The UPS must be versatile, compact and parallelable in order to provide the required flexibility; they should be able to adapt to all types of load, both inductive and capacitive, and should also be able to integrate with the other components in the system (e.g. electrical generators).

ENERGY CONSUMPTION

Reducing energy consumption has become a necessity for all businesses as well as an environmental concern. It is therefore fundamental to choose a UPS supplier that offers green products designed to

provide the best energy efficiency and lowest environmental impact possible, with maximum performance. The **Eco Energy Levels** help identify the most highly efficient Riello UPS products.

PHYSICAL SPACE

It is critical to optimise the space available in data centres. Virtualising servers helps, but it is also useful to choose UPS with small footprints in order to avoid wasting space. The **Multi Sentry** and **Master HP** UPS ranges have some of the smallest footprints available on the market.



E-Medical Area

RECOMMENDED PRODUCTS

Sentinel Pro



Sentinel Power Green



Multi Sentry



Master MPS



REFERENCES

Austria

- Country Hospital Graz
- Krankenhaus (LKH) Salzburg

France

- Clinique De La Sauvagarde - Lyon
- Tropical Medicine Centre - Marseille
- Civil Hospital - Lyon

Germany

- Klinikum Süd Nürnberg
- Universität-klinikum Aachen

Italy

- Ospedale le Molinette - Turin
- Ospedale Cardarelli - Naples

Korea

- E-HWA University Hospital - Seoul

Spain

- Biomedical Research Park - Barcelona

Sri Lanka

- Apollo Hospital - Colombo

FEATURES

- Extreme protection for critical applications
- High resilience
- Compliant with specific standards

APPLICATIONS

- Back up of auxiliary power supply systems
- Operating theatres
- Hospital services

More and more sectors of the economy now rely on technology. Even medical and healthcare services now generally rely on digital technologies. Due to the critical nature of these applications, which are closely linked with personal well being, the services and infrastructure must be designed to ensure maximum levels of reliability and operating safety.

SAFETY

According to the standards that apply to the sector, all medical equipment must adhere to stringent safety standards. based on the type of application, the UPS must ensure immunity from external influences,

providing compatibility with: IP protection levels, input/output electrical isolation, the possibility of housing internal isolation transformers and auxiliary monitoring systems for electrical values.

Riello UPS responds to all needs with products suited for all power and safety requirements connected with different applications.

RELIABILITY

In a medical context reliable services are critical and therefore the choice of UPS should favour the best technological solutions (on line dual conversion). These guarantee compatibility with all levels

of architecture aimed at increasing the availability and resilience of the system (parallelability and redundancy of power supply in accordance with the TIER standard). Electrical continuity cannot be guaranteed unless it is supported by suitable monitoring and control systems, which should be flexible and adaptable to the various systems and protocols installed in healthcare infrastructures. Riello UPS develops, tests and perfects its products as well as the different monitoring and control systems in-house, guaranteeing complete flexibility with different protocols and a rapid response to any interface problems.





Industry Area

RECOMMENDED PRODUCTS

Sentinel Pro



Sentinel Power Green



Master MPS



Multi Guard Industrial



Master Industrial



SuperCaps UPS



REFERENCES

Germany

- Mannesmann
- Audi
- Adidas

India

- Metlon Industry

Italy

- Benetton Treviso
- Pirelli Milano
- Ilva
- La Doria
- Fincantieri

Spain

- Repsol

Sweden

- Ericsson
- Saab

Russia

- Ece

UK

- Glaxo Smith Kline
- Corus

FEATURES

- Extremely high reliability and strength
- Customisable
- Compatible with long autonomy times
- ModBus and Profibus support

APPLICATIONS

- Oil & Gas
- Power Generation, T&D
- Water treatment
- Instruments and process monitoring
- Emergency systems

Complex industrial installations are particularly critical and therefore require an exceptional level of resilience and reliability under all operating and environmental conditions.

The UPS is a fundamental asset for guaranteeing service continuity and system safety. Riello UPS's industrial solutions have been protecting oil and gas infrastructures, power stations and other industrial installations for decades, making Riello UPS the *industrial* partner for every business in the sector.

RELIABILITY

Operating continuity is fundamental in the industrial sector; a power shutdown or a breakdown in the supply of monitoring/

control information cannot be tolerated. This is why high quality Riello UPS uninterruptible power supplies are used: versatile, technologically advanced and suitable for operation in varied environmental conditions (temperature, humidity, vibrations, fluctuating power supplies, etc.).

STRENGTH

In the industrial sector UPS are often required to provide a high level of compatibility with stringent mechanical standards (IP protection level > 21, protection against vibration, structural rigidity). In addition to this, in order to fulfil general requirements, the use of filters, isolated electrical connectors and

special wiring (halogen free, etc) is often required, as well as fastening components and systems that are highly resistant to mechanical stresses.

FLEXIBILITY AND CUSTOMISATION

UPS Riello are flexible, i.e. they can be adapted to different power sources (single phase, three-phase, with or without neutral), they can be configured with isolation transformers not only at the output but also at the rectifier and bypass. They are compatible with various remote control communication protocols and can be customised to the specific requirements of any system.



Transport Area

RECOMMENDED PRODUCTS

Master HP/HE



Multi Guard Industrial



Master MPS



Master FC400



REFERENCES

Germany

- Munich airport
- Hamburg railway station

Italy

- Underground railway Rome
- Underground railway Turin
- Malpensa Airport

Spain

- Barajas Airport, Madrid
- High Speed Train A.V.E.

France

- CDG airport Paris
- Underground railway Paris

South Africa

- Johannesburg International Airport

United Arab Emirates

- Underground railway Dubai
- Etihad Airway
- Megacargo terminal Dubai

China

- Peking airport
- Underground Railway Nanjing
- Underground Railway Hong Kong

India

- Delhi underground railway

FEATURES

- Protection for critical application
- Adaptability to different environments
- Flexibility of power supply
- Extremely resilient

APPLICATIONS

- Railway stations
- Airports
- Toll gates
- Marinas

The infrastructure used in the transport sector is increasingly technologically advanced and complex. At the same time however, it must also provide an exceptional level of resilience and reliability under all operating and environmental conditions. UPS and power continuity play a major role in guaranteeing continuity and excellence in the services provided.

FLEXIBILITY OF INSTALLATION

Every application in the transport infrastructure sector has its own particular specifications and associated reference standards. It is therefore fundamental that the UPS be adaptable to different power sources (single phase, three-phase, with or without neutral),

and compatible with various remote control communication protocols, which should be complete, rapid and effective.

GLOBAL STRENGTH

The need to ensure service continuity requires high levels of compatibility with stringent mechanical standards (IP protection, vibrations, structural rigidity). The use of air filters, isolated electrical connectors and special wiring is often required in order to fulfil general requirements, as well as fastening components and systems that are highly resistant to mechanical stresses. Riello UPS is able to offer tailor-made solutions that satisfy the requirements of special standards or particular operating conditions.

RELIABILITY

Operational continuity is strategic to the transport sector. Downtime with regards to power supply or monitoring/control information cannot be tolerated.

Continuity can be guaranteed by using high quality UPS that are versatile, technologically advanced and parallelable, which are able to operate under critical environmental conditions (temperature, fluctuating power supplies, different types of load, etc.). Riello UPS with its range of transformer-less and transformer-based products is able to satisfy the most diverse and complex requirements to ensure operating continuity and reliability for users.





Emergency Area

RECOMMENDED PRODUCTS

Sentinel Pro



Sentinel Dual High Power



Sentinel Power



Master MPS



CSS 1h e 3h



FEATURES

- High reliability
- Compliant with standard EN 50171
- Batteries with 10 year life (at 20°C)
- Casing compliant with EN 60598-1
- Advanced diagnostics

APPLICATIONS

- Hospitals
- Railway stations
- Stadiums and sports centres
- Shopping centres
- Schools
- Public buildings

REFERENCES

Italy

- Juventus Stadium

Germany

- Allianz Arena

South Africa

- Ellispark Stadium
- Loftus Stadium

Spain

- Barcelona Olympic Stadium

Czech Republic

- Slavia Stadium Prague

Riello UPS centralised power supplies are designed for buildings subject to fire prevention safety standards.

Designed and built in compliance with standard EN 50171 CPSS (Central Power Supply Systems) and other guidelines. These systems are designed mainly to provide emergency lighting in the event of a power blackout, however, they can also be used for other emergency systems, such as for example:

- automatic fire prevention systems,
- alarm units and emergency detection systems,

- smoke extraction equipment,
- carbon monoxide detection systems,
- specific safety systems in sensitive areas.

The main features of Riello UPS solutions are summarised here:

- Regulatory compliance
- Autonomy of up to 3 h (and beyond on request)
- Battery recharge time under 12 hours
- Battery monitoring system
- Galvanic isolation of input/output (optional)

- Advanced diagnostics (information on display panel)
- Interface device to provide information remotely
- High short circuit current.

This is joined by Riello UPS's long term experience in emergency applications, with thousands of installations all over the world.



UPS Standard



SOHO

iPlug



UPS VFD



Tower



1:1 600-800 VA



USB
plug



GS Nemko
certified



Plug & Play
installation

HIGHLIGHTS

- **Compact**
- **Versatile**
- **Robust**
- **Contemporary design**
- **Auto restart**
- **Battery swap**

The iPlug series is the ideal solution for protecting household and small office systems. Its compact size and versatility (push-button operation, LED status panel and user replaceable batteries), make iPlug easy to install within a domestic environment to protect systems from surges and blackouts.

When the mains fails, the load is powered from a pseudo-sine wave inverter, to provide sufficient runtime for computer system shutdown using PowerShield³ software, which can be downloaded free from www.riello-ups.com

Versatile, robust and contemporary design

The iPlug's compact and ergonomic design allow it to be easily installed in professional and domestic environments. iPlug is extremely versatile and its innovative cable management feature ensures a tidy, easy to manage installation.

Advanced communications

PowerShield³ software allows for the safe shutdown of connected IT systems on mains power supply failure. PowerShield³ provides efficient and intuitive



UPS management using bar chart displays for important operating information.

Auto restart

The UPS automatically restarts upon the restoration of mains power after having shut down once the batteries have run out following a black out (Auto restart).

Environmental protection ECO Line

With energy savings in mind, the iPlug range features a shut-off button to reduce energy consumption during periods of prolonged inactivity.

Applications

LCD monitors, personal computers, video terminals, printers, scanners and fax machines.

Features

- Compact and ergonomic
- 5 sockets protected against black-outs
- 3 sockets protected against overvoltage for the supply of loads with larger absorption loads e.g laser printers
- Ability to switch on the UPS without a mains power supply (Cold Start)
- User replaceable batteries (Battery Swap)
- USB interface
- Floor-standing or desktop installation
- Power-supply cable included
- Built-in short circuit protection
- Auto restart (when mains power is restored, after discharge of the batteries)
- GS/Nemko safety seal
- Available with French (2P+T), British, Schuko and Italian outlets.
- PowerShield³ supervision and shutdown software for Windows operating systems 8, 7, Hyper-V, 2012, 2008, and previous

- versions, Mac OS X, Linux.
- Plug and play function.

2-YEAR WARRANTY

CONFIGURATOR FOR MODEL SELECTION

Load type	VA power rating *
Personal computers	250
LCD Monitors	70
Scanners, printers	200
Modems, TVs, DVD players, PlayStations, Hi-Fi systems, telephones, Faxes	50
Laser printers **	200

* Estimated average value.

** iPlug filtered output power supply is recommended.

AVAILABLE SOCKETS



SCHUKO SOCKET
CEE 7/7P



FRENCH SOCKET
CEE 7/5



ITALIAN SOCKET
CEI 23/16



BRITISH SOCKET
BS1363A

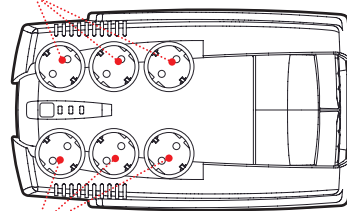
AVAILABLE OPTIONS

SOFTWARE

PowerShield³

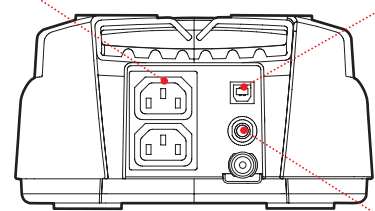
DETAILS

FILTERED SOCKETS: PROTECTED AGAINST OVERVOLTAGE ONLY



SOCKETS WITH UPS PROTECTION (NO BREAK IN POWER IF MAINS FAILS)

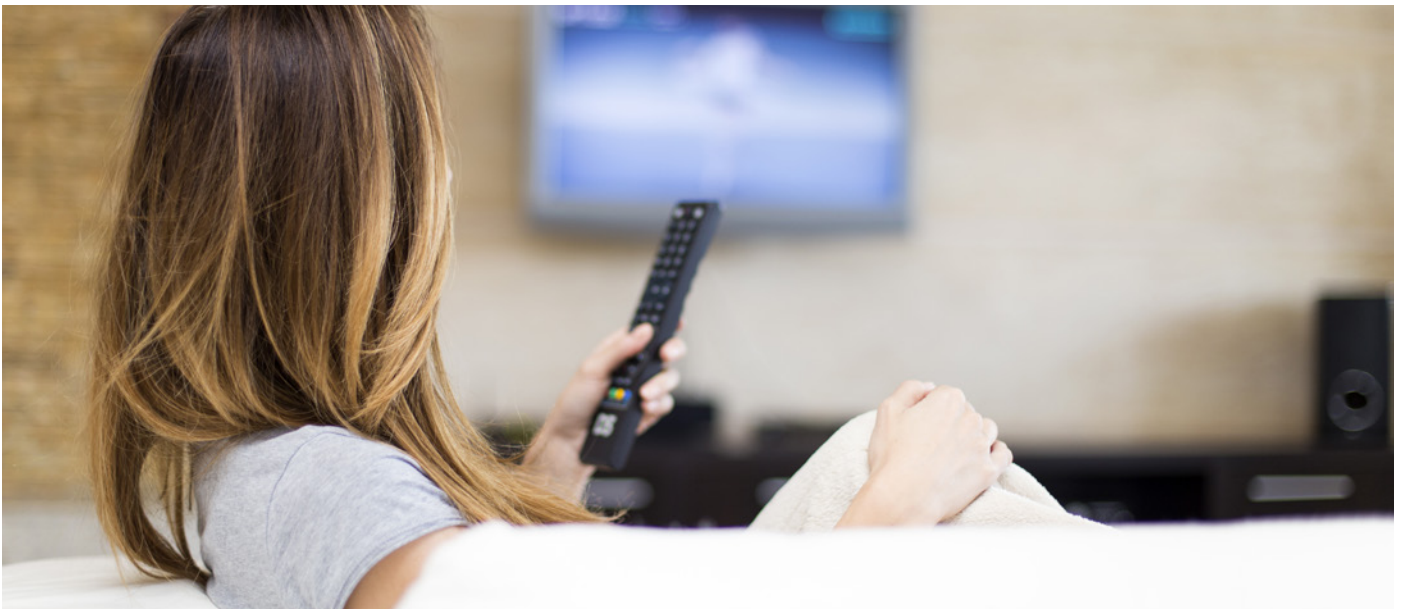
IEC SOCKETS WITH UPS PROTECTION USB COMMUNICATION PORT



SAFETY FUSE



MODELS	IPG 600	IPG 800
POWER	600 VA/360 W	800 VA/480 W
INPUT		
Nominal voltage	220-240 Vac	
Input voltage tolerance frequency	230 Vac (+20/-25%)	
Frequency	50/60 Hz with automatic selection	
OUTPUT		
Voltage during mains operation	230 Vac (+20/-25%)	
Voltage during battery operation	230 Vac (+/- 10%)	
Frequency during battery operation	50 or 60 Hz (+/- 1%)	
Waveform	Pseudo Sinusoidal	
BATTERIES		
Type	VRLA AGM maintenance-free lead based	
Recharge time	6-8 hours	
OTHER FEATURES		
Net weight (kg)	3,7	4,1
Gross weight (kg)	4	4,4
Dimensions (WxDxH) (mm)	185 x 313 x 99	
Packaging dimensions (WxDxH) (mm)	260 x 380 x 140	
Protections	Excessive low battery - overvoltage - short circuit	
Communications	USB	
Output sockets	6 sockets (Schuko or Italian or French or British) + 2 IEC 320 C13	
Standards	EN 62040-1-1 and Directive 2006/95/EC; EN 62040-3 EN 62040-2 and Directive 2004/108 EC	
Certificates	CE; GS/NEMKO on Schuko version	
Operating temperature	0 °C / +40 °C	
Colour	Black	
Altitude and relative humidity	6000 m max altitude, < 95% non-condensing	
Equipment provided	power cable, user guide	





SOHO

iDialog



UPS VFD



Tower



1:1 400-1600 VA



USB
plug



Plug & Play
installation

HIGHLIGHTS

- **Compact**
- **Silent operation**
- **Contemporary design**
- **Auto restart**
- **Low power consumption**

The iDialog range is the ideal solution for protecting PCs and peripherals in the home and office.

iDialog is easy to install and economic to run for protecting:

- IT equipment such as PCs, Media Centres and peripherals, TVs, Home Cinema systems, Satellite and Digital Terrestrial Receivers and DVD recorders and players;
- xDSL modems and routers;
- Small home appliances.

Silent operation

The UPS is silent in operation (0dBA) thanks to its use of a fan-less design and high frequency components.

Advanced communications

PowerShield³ software allows for the safe shutdown of connected IT systems on mains power supply failure. PowerShield³ provides efficient and intuitive UPS management using bar chart displays for important operating information.

Auto restart

The UPS automatically restarts when the mains power supply is restored, after auto power.

ECO Line environmental protection

With energy savings in mind, the iDialog range features a shut-off button to reduce



MODELS	IDG 400	IDG 600	IDG 800	IDG 1200	IDG 1600
POWER	400 VA/240 W	600 VA/360 W	800 VA/480 W	1200 VA/720 W	1600 VA/960 W
INPUT					
Nominal voltage	220-240 Vac				
Input voltage tolerance frequency	230 Vac (+20/-25%)				
Frequency	50/60 Hz with automatic selection				
OUTPUT					
Voltage during mains operation	230 Vac (+20/-25%)				
Voltage during battery operation	230 Vac (+/- 10%)				
Frequency during battery operation	50 or 60 Hz (+/- 1%)				
Waveform	Pseudo Sinusoidal				
BATTERIES					
Type	VRLA AGM maintenance-free lead based				
Recharge time	6-8 h				
OTHER FEATURES					
Net weight (kg)	3,2	3,4	6,6	6,9	
Gross weight (kg)	3,7	4,1	8,1	8,6	
Dimensions (WxDxH) (mm)	90 x 232 x 192			93 x 310 x 270	
Packaging dimensions (WxDxH) (mm)	138 x 300 x 278			170 x 400 x 370	
Protections	Excessive low battery - overvoltage - short circuit				
Communications	USB			USB + RS232	
Output sockets	4 IEC 320 C13			6 IEC 320 C13	
Standards	EN 62040-1-1 and Directive 2006/95/EC; EN 62040-3 EN 62040-2 and Directive 2004/108 EC				
Certificates	CE				
Operating temperature	0 °C / +40 °C				
Colour	Black				
Altitude and relative humidity	6000 m max altitude, <95% non-condensing				
Standard equipment	2 output power supply cables, user manual				

energy consumption during periods of prolonged inactivity.

Features

- Reduced energy consumption and 99% efficiency
- Maximum reliability and protection of PCs thanks to PowerShield³ monitoring and shutdown software, which can be downloaded free at www.riello-ups.com
- Can be installed on PCs with Windows operating systems 8, 7, Hyper-V, 2012, 2008, and previous versions, Mac OS X, Linux.
- Small size: With its compact shape, iDialog can be placed anywhere on the desk or in the home.

- Silent: iDialog is also suitable for protecting your non-professional digital equipment such as home cinema systems, satellite and digital terrestrial receivers and DVD players/recorders.

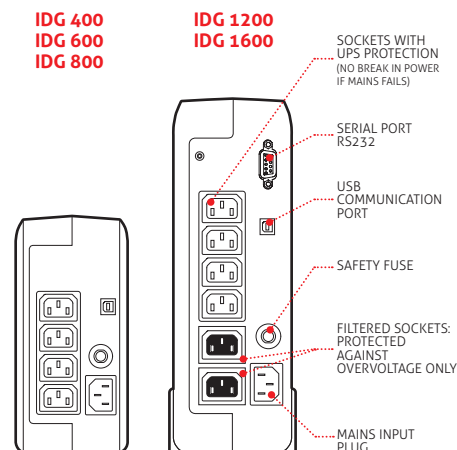
2-YEAR WARRANTY

AVAILABLE OPTIONS

SOFTWARE

PowerShield³

DETAILS





SOHO

iDialog Rack



UPS VFD



Rack



1:1 600-1200 VA



USB
plug



Plug & Play
installation

HIGHLIGHTS

- **Design for telco rack**
- **Silent operation**
- **Auto restart**
- **Low power consumption**

Maximum reliability in the protection of Voip systems

The iDialog Rack range is the ideal solution for protecting PC s and peripherals in the home and office.

iDialog Rack is easy to install and economic to run for protecting:

- IT equipment such as PC s, Media Centres and peripherals, TVs, Home Cinema systems, Satellite and Digital Terrestrial Receivers and DVD recorders and players;
- xDSL modems and routers;
- Voip and network application.

Silent operation

The UPS is silent in operation (0dBA) thanks to its use of a fan-less design and high frequency components.

Advanced communications

PowerShield³ software allows for the safe shutdown of connected IT systems on mains power supply failure. PowerShield3 provides efficient and intuitive UPS management using bar chart displays for important operating information.

Auto restart

The UPS automatically restarts when the mains power supply is restored, after auto power.

ECO Line environmental protection

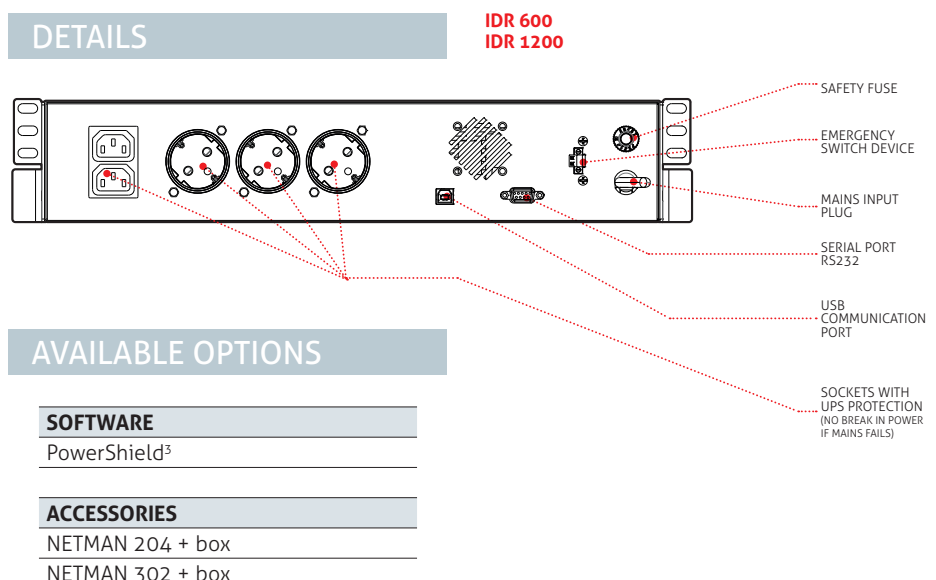
With energy savings in mind, the iDialog Rack range features a shut-off button to reduce energy consumption during periods of prolonged inactivity.



MODELS	IDR 600	IDR 1200
POWER	600 VA/360 W	1200 VA/720 W
INPUT		
Nominal voltage	220-240 Vac	
Input voltage tolerance frequency	230 Vac (+20/-25%)	
Frequency	50/60 Hz with automatic selection	
OUTPUT		
Voltage during mains operation	230 Vac (+20/-25%)	
Voltage during battery operation	230 Vac (+/- 10%)	
Frequency during battery operation	50 or 60 Hz (+/- 1%)	
Waveform	Pseudo Sinusoidal	
BATTERIES		
Type	VRLA AGM maintenance-free lead based	
Recharge time	6-8 h	
OTHER FEATURES		
Net weight (kg)	5,5	9
Gross weight (kg)	7	10,5
Dimensions (WxDxH) (mm)	438 x 230 x 87	438 x 300 x 87
Packaging dimensions (WxDxH) (mm)	503 x 330 x 211	503 x 400 x 211
Protections	Excessive low battery - overvoltage - short circuit	
Communications	USB + RS232	
Output sockets	2 IEC 320 C13 + 3 Shuko	
Standards	EN 62040-1-1 and Directive 2006/95/EC; EN 62040-3 EN 62040-2 and Directive 2004/108 EC	
Certificates	CE	
Operating temperature	0 °C / +40 °C	
Colour	Black	
Altitude and relative humidity	6000 m max altitude, <95% non-condensing	
Standard equipment	Rack handles, user manual	

Features

- Reduced energy consumption and 99% efficiency
- Maximum reliability and protection of PC s thanks to PowerShield3 monitoring and shutdown software, which can be downloaded free at www.riello-ups.com
- Can be installed on PC s with Windows operating systems 8, 7, Hyper-V, 2012, 2008, and previous versions, Mac OS X, Linux.
- Small size: With its compact shape, iDialog Rack can be placed in any small rack.
- Noise-free running: iDialog Rack is also suitable for protecting your non-professional digital equipment such as home cinema systems, satellite and digital terrestrial receivers and DVD players/ recorders.





SOHO

Net Power



LINE INTERACTIVE



Tower



1:1 600-2000 VA



USB plug



Plug & Play installation

HIGHLIGHTS

- **Automatic Voltage Regulation (AVR)**
- **Advanced communications**
- **Automatic battery test**

The Net Power series is available in 600-2000 VA models with digital technology: when available the load is supplied from the mains power supply, which is amplitude-stabilised by the automatic voltage regulator (AVR) and filtered against overvoltages by EMI filters.

When the mains fails, the load is powered from a pseudo-sine wave inverter, to provide sufficient runtime for computer system shutdown using PowerShield³ software, which can be downloaded free from www.riello-ups.com

Features

- Stabilisation and filtering of the mains power supply using AVR and EMI filters for the suppression of atmospheric disturbances
- Ability to switch on the UPS in the absence

of mains power (Cold Start)

- High reliability with built-in battery test
- Auto restart (when mains power is restored, after discharge of the batteries)
- Supplied with two IEC cables for powering the loads.

Advanced communications

- Advanced multi-platform communications for all operating systems and network environments: PowerShield³ supervision and shutdown software for Windows operating systems 8, 7, Hyper-V, 2012, 2008, and previous versions, Mac OS X, Linux, VMWare ESXi, Citrix XenServer and other Unix operating systems
- Standard USB interface, RS232 on models 1000 - 1500 - 2000.

2-YEAR WARRANTY



MODELS	NPW 600	NPW 800	NPW 1000	NPW 1500	NPW 2000
POWER	600 VA/360 W	800 VA/480 W	1000 VA/600 W	1500 VA/900 W	2000 VA/1200 W
INPUT					
Nominal voltage	220-230-240 Vac				
Input voltage tolerance	230 Vac ($\pm 25\%$)				
Frequency	50/60 Hz with automatic selection				
OUTPUT					
Voltage during mains operation	230 Vac (-8%, +10%)				
Voltage during battery operation	230 Vac (+/- 5%)				
Frequency during battery operation	50 or 60 Hz (+/- 0.5%)				
Battery waveform	Pseudo sinusoidal				
BATTERIES					
Type	VRLA AGM maintenance-free lead based				
Recharge time	6-8 h		2-4 h		
OTHER FEATURES					
Net weight (kg)	4,3	4,9	8	11,1	11,5
Gross weight (kg)	5,6	6,3	10	13,5	14
Dimensions (WxDxH) (mm)	100 x 287 x 142		146 x 350 x 160	146 x 397 x 205	
Packaged dimensions (WxDxH) (mm)	140 x 332 x 220		195 x 440 x 250	230 x 480 x 280	
Protections	Excessive low battery - overvoltage - short circuit				
Communications	USB		USB + RS232		
Output sockets	4 IEC 320 C13 sockets			6 IEC 320 C13 sockets	
Standards	EN 62040-1-1 and Directive 2006/95/EC; EN 62040-2 category C2 and Directive 2004/108 EC				
Certificates	CE				
Operating temperature	0 °C / +40 °C				
Colour	Black				
Altitude and relative humidity	6000 m max altitude, <95% non-condensing				
Standard equipment	2 cables for powering loads; user manual				

AVAILABLE OPTIONS

SOFTWARE

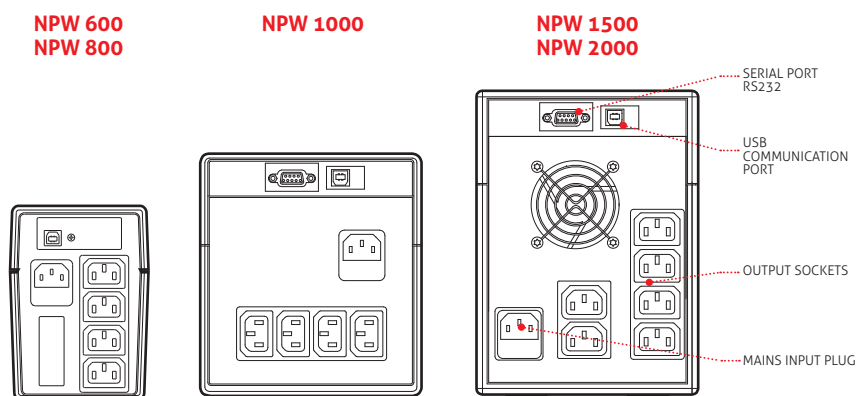
PowerShield³

ACCESSORIES

NETMAN 204 + box
(only NPW 1000-2000)

MULTICOM 302 + box
(only NPW 1000-2000)

DETAILS





SOHO

Vision



LINE INTERACTIVE



Tower



1:1 800-2000 VA



USB plug



Hot swap battery



Plug & Play installation



GS Nemko certified

HIGHLIGHTS

- Superior protection
- Compact and contemporary design
- High availability
- Versatility
- LCD display
- Automatic Voltage Regulation (AVR)

The Vision range is available in models from 800 VA to 2000 VA with sinusoidal digital technology.

The Vision range, with its advanced communications and connectivity options, is the ideal solution for installations requiring superior protection and versatility in the power supply system. Vision is the ideal solution for the protection of peripheral network devices, servers, and network back-up systems.

Superior protection

The Vision range uses Line Interactive technology and provides a sinusoidal output. This technology provides efficiency levels of 98% and therefore reduced energy consumption. It also ensures a high level of protection against mains power disturbances. The automatic voltage regulator (AVR)

provides protection from surges, overvoltages and undervoltages, without battery intervention. Reduced battery usage ensures that the battery set is 100% available for mains power supply failures and is able to provide greater autonomy. EMI filters then provide further protection from voltage surges and transients. When the mains power supply fails, the load is powered by the inverter and receives a perfectly sinusoidal supply for maximum power continuity and reliability. With energy savings in mind, the Vision range features a shut-off button to reduce energy consumption to zero during periods of prolonged inactivity.

High availability

An EnergyShare socket allows load-shedding and the shutdown of less sensitive



peripheral devices to extend battery runtime for critical loads. "Hot Swap" batteries can be removed via the front panel for easy and safe UPS maintenance. Battery test facility to detect deteriorating battery performance. Deep discharge protection to reduce battery ageing.

Versatility

Cold Start function to allow the UPS to power up with no mains power supply present.

LCD display

Vision models have a backlit LCD display providing UPS status information, load and battery performance.

Advanced communications

- Advanced multi-platform communications for all operating systems and network environments: PowerShield³ monitoring and shutdown software for Windows operating systems 8, 7, Hyper-V, 2012, 2008, and previous versions, Mac OS X, Linux, VMWare ESXi, Citrix XenServer and other Unix operating systems.
- USB or RS232 serial port interface (selectable)
- Expansion slot for interface boards
- Status, measurements, alarms and input, output and battery parameters available on LCD display.

Features

- EnergyShare socket
- Ability to switch on the UPS in the absence of mains power (Cold Start)
- Batteries are user replaceable without switching off equipment and without interruption to the load (Hot Swap)
- Maximum reliability and protection of PCs thanks to PowerShield³ monitoring and shutdown software, which can be downloaded free at www.riello-ups.com
- Fully configurable using UPS Tools configuration software
- Highly reliable batteries (automatic and manually-activated battery test)
- Built-in short circuit protection
- Auto restart (when mains power is restored, after discharge of the batteries)
- GS/Nemko safety seal

2-YEAR WARRANTY



AVAILABLE OPTIONS

SOFTWARE

- PowerShield³
- PowerNetGuard

ACCESSORIES

- NETMAN 204
- MULTICOM 302
- MULTICOM 352

MULTICOM 372

MULTICOM 382

MULTICOM 401

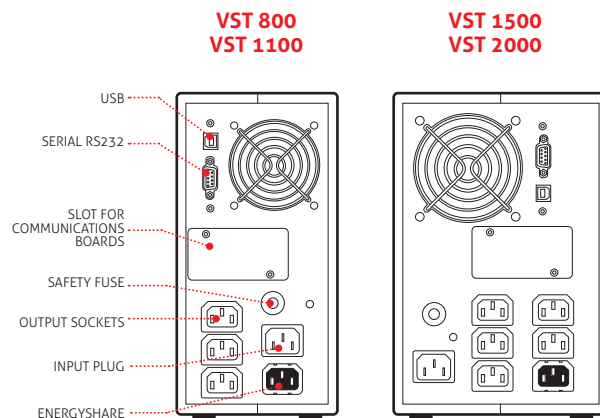
MULTI I/O

Interface kit AS400

MULTIPANEL

RTG 100

DETAILS



MODELS	VST 800	VST 1100	VST 1500	VST 2000
POWER	800 VA/640 W	1100 VA/880 W	1500 VA/1200 W	2000 VA/1600 W
INPUT				
Nominal voltage	220 - 230 - 240 V selectable			
Voltage tolerance	162 V - 290 V			
Frequency	50/60 Hz with automatic selection			
Frequency tolerance	±5%			
OUTPUT				
Nominal voltage	220 - 230 - 240 V selectable			
Frequency	50 or 60 Hz with automatic selection			
Waveform	Sinusoidal			
BATTERIES				
Type	VRLA AGM maintenance-free lead based			
Recharge time	4-6 h			
OTHER FEATURES				
Net weight (kg)	10,5	11,3	16,5	18,5
Gross weight (kg)	12,2	13	18,4	20,4
Dimensions (WxDxH) (mm)	120 x 443 x 247		160 x 443 x 247	
Packaging dimensions (WxDxH) (mm)	208 x 530 x 342		250 x 540 x 354	
Protections	Overload - short-circuit - overvoltage - undervoltage - temperature - excessive low battery			
Communications	USB / RS232 / slot for communications interface			
Input plugs	1 IEC 320 C14			
Output sockets	4 IEC 320 C13		6 IEC 320 C13	
Standards	EN 62040-1-1 and Directive 2006/95/EC EN 62040-2 and Directive 2004/108 EC			
Operating temperature	0 °C / +40 °C			
Storage temperature	-15 °C / 45 °C			
Colour	Black			
Relative humidity	<95% non-condensing			
Noise	< 40 dBA			



Vision Rack



SOHO



DATACENTRE



LINE INTERACTIVE



Rack



1:1 800-1100 VA



USB plug



Hot swap battery



Plug & Play installation

HIGHLIGHTS

- Superior protection
- High availability
- Versatility
- LCD display
- Automatic voltage regulation (AVR)

The Vision Rack range is available in models from 800 VA to 1100 VA with sinusoidal digital technology.

The Vision Rack range, with its advanced communications and connectivity options, is the ideal solution for installations requiring superior protection and versatility in the power supply system. Vision Rack is the ideal solution for the protection of peripheral network devices, servers, and network back-up systems.

Superior protection

The Vision Rack range uses Line Interactive technology and provides a sinusoidal output

voltage. This technology provides efficiency levels of 98% and therefore reduced energy consumption. It also ensures a high level of protection against mains power disturbances.

The automatic voltage regulator (AVR) provides protection from surges, overvoltages and undervoltages, without battery intervention.

Reduced battery usage ensures that the battery set is 100% available for mains power supply failures and is able to provide greater autonomy.

EMI filters then provide further protection from voltage surges and transients.



When the mains power supply fails, the load is powered by the inverter and receives a perfectly sinusoidal supply for maximum power continuity and reliability.

High availability

An EnergyShare socket allows load-shedding and the shutdown of less sensitive peripheral devices to extend battery runtime for critical loads.

"Hot Swap" batteries can be removed via the front panel for easy and safe UPS maintenance.

Battery test facility to detect deteriorating battery performance.

Deep discharge protection to reduce battery ageing.

Versatility

Cold Start function to allow the UPS to power up with no mains power supply present.

Display

Vision models have a backlit LCD display providing UPS status information, load and battery performance.

Advanced communications

- Advanced multi-platform communications for all operating systems and network environments: PowerShield³ monitoring and shutdown software for Windows operating systems 8, 7, Hyper-V, 2012, 2008, and previous versions, Mac OS X,

Linux, VMWare ESXi, Citrix XenServer and other Unix operating systems

- USB or RS232 serial port interface (selectable)
- Expansion slot for interface boards
- Status, measurements, alarms and input, output and battery parameters available on LCD display.

Features

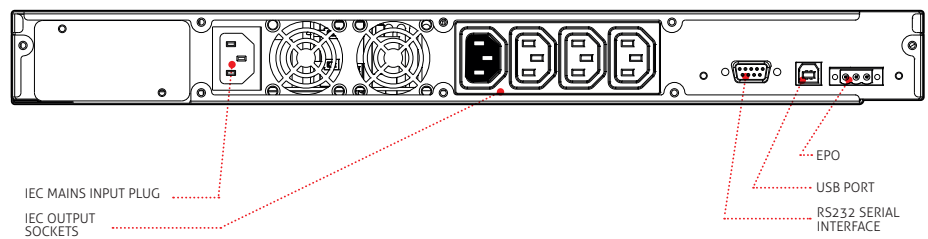
- EnergyShare socket
- Ability to switch on the UPS in the absence of mains power (Cold Start)
- User-replaceable battery set (Battery Swap)

- USB and RS232 interface
- Slot for communications boards
- Maximum reliability and protection of PCs thanks to PowerShield³ monitoring and shutdown software, which can be downloaded free at www.riello-ups.com
- Highly reliable batteries (automatic and manually-activated battery test)
- Built-in short circuit protection
- Auto restart (when mains power is restored, after discharge of the batteries)
- Emergency power off contact (EPO).

2-YEAR WARRANTY

DETAILS

VSR 800/1100



OPTIONS

SOFTWARE

PowerShield³
PowerNetGuard

ACCESSORIES

NETMAN 204
MULTICOM 302
MULTICOM 352
MULTICOM 372
MULTICOM 382

MULTICOM 401

MULTI I/O
Interface kit AS400
MULTIPANEL
RTG 100

PRODUCT ACCESSORIES

Universal rails for installation in rack cabinets

MODELS	VSR 800	VSR 1100
POWER	800 VA/640 W	1100 VA/880 W
INPUT		
Nominal voltage	230 Vac (220, 240 V selectable)	
Voltage tolerance	162 V - 290 V	
Frequency	50/60 Hz with automatic selection	
Frequency tolerance	±5% (3% to 10% configurable)	
OUTPUT		
Nominal voltage	230 Vac (220, 240 V selectable)	
Frequency	50 or 60 Hz with automatic selection	
Waveform	Sinusoidal	
BATTERIES		
Type	VRLA AGM maintenance-free lead based	
Recharge time	4-6 h	
OTHER FEATURES		
Net weight (kg)	12	13
Gross weight (kg)	14,5	15,5
Dimensions (WxDxH) (mm)	19" x 420 x 1U	
Packaged dimensions (WxDxH) (mm)	595 x 540 x 140	
Protections	Overload - short-circuit - overvoltage - undervoltage - temperature - excessive low battery	
Communications	USB / RS232 / slot for communications interface	
Input plugs	1 IEC 320 C14	
Output sockets	4 IEC 320 C13	
Standards	EN 62040-1-1 and Directive 2006/95/EC; EN 62040-2 and Directive 2004/108 EC	
Operating temperature	0 °C / +40 °C	
Storage temperature	-15 °C / 45 °C	
Colour	Black	
Relative humidity	<95% non-condensing	
Noise	< 50 dBA	





SOHO



DATACENTRE

Vision Dual



LINE INTERACTIVE



TowerRack



1:1 1100-3000 VA



USB plug



Hot swap battery



Energy share



Plug & Play installation

HIGHLIGHTS

- **Automatic Voltage Regulation (AVR)**
- **Superior protection**
- **High efficiency**
- **High availability**
- **Versatility**
- **Advanced communications**

The Vision Dual range (tower and rack), includes models from 1100 VA to 3000 VA with sinusoidal digital technology. The Vision Dual range, with its advanced communications and connectivity options, is the ideal solution for installations requiring superior protection and versatility in the power supply system. Vision Dual is the ideal solution for the protection of peripheral network devices, conventional or rack servers, and network back-up systems. Vision Dual has a practical, modern design and includes several performance advantages over traditional on-line UPS. All developed by the Riello UPS research and development team.

The UPS provides efficiency levels of 98% and therefore reduced energy consumption. It has an output power factor of 0,9.

Superior protection

The automatic voltage regulator (AVR) provides protection from surges, overvoltages and undervoltages, without battery intervention. Reduced battery usage ensures that the battery set is 100% available for mains power supply failures and is able to provide greater autonomy. EMI filters then provide further protection from voltage surges and transients. When the mains power supply fails, the load is powered by the inverter and receives a perfectly sinusoidal supply for maximum power continuity and reliability.



High availability

An EnergyShare socket allows load-shedding and the shutdown of less sensitive peripheral devices to extend battery runtime for critical loads.

"Hot Swap" batteries can be removed via the front panel for easy and safe UPS maintenance.

For business continuity applications requiring long battery runtimes, battery autonomy can be extended up to several hours using ER models (versions 2200 and 3000) fitted with more powerful battery chargers.

Battery test facility to detect deteriorating battery performance.

Deep discharge protection to reduce battery ageing.

Versatility

Vision Dual can be installed as a tower or in 19" rack cabinets. The display panel can be easily removed and rotated to suit the type of installation required.

Vision Dual is equipped with an emergency power off (EPO) contact that allows for remote shutdown in emergency situations.

Cold Start function to allow the UPS to power up with no mains power supply present.

Vision Dual models have a backlit LCD display providing UPS status information, load and battery performance.

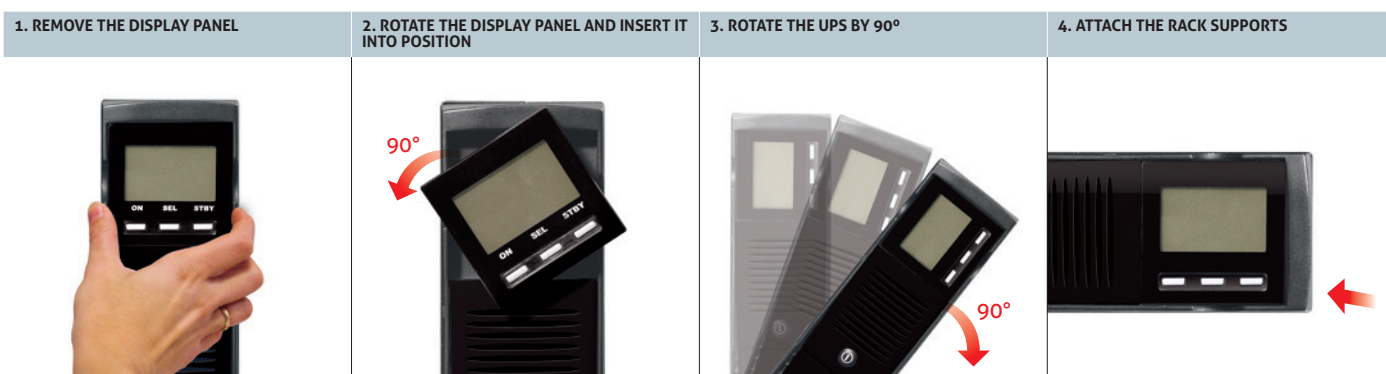
Advanced communications

- Advanced multi-platform communications

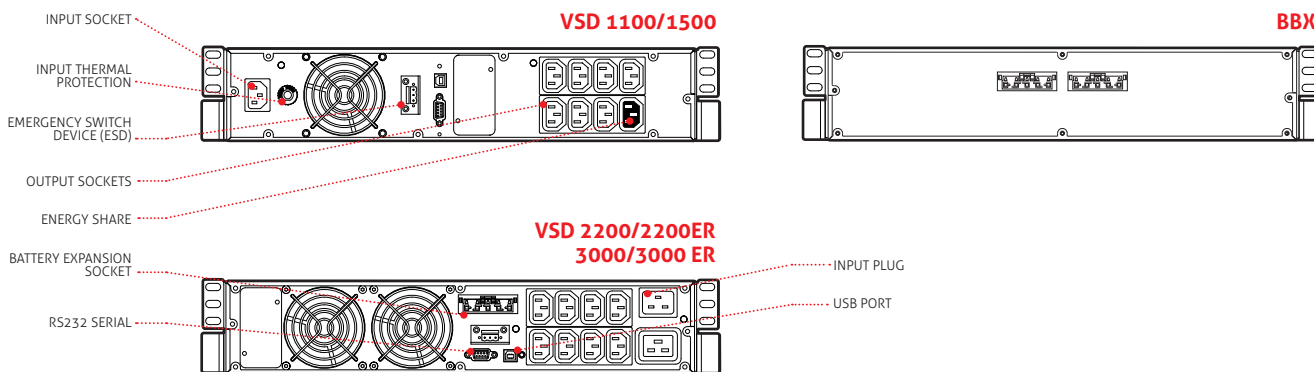
for all operating systems and network environments: PowerShield³ monitoring and shutdown software included, with SNMP agent, for Windows operating systems 8, 7, Hyper-V, 2012, 2008, and previous versions, Mac OS X, Linux, VMWare ESXi, Citrix XenServer and other Unix operating systems

- USB or RS232 serial port interface (selectable)
- Expansion slot for SNMP agent interface boards
- Status, measurements, alarms and input, output and battery parameters available on LCD display.

2-YEAR WARRANTY



DETAILS



OPTIONS

SOFTWARE

PowerShield³
PowerNetGuard

ACCESSORIES

NETMAN 204
MULTICOM 302
MULTICOM 352
MULTICOM 372
MULTICOM 382
MULTICOM 401
MULTI I/O
Interface kit AS400
MULTIPANEL

RTG 100
Manual Bypass 16 A
Manual Bypass 16 A Rack
Automatic Bypass 16 A
Automatic Bypass 16 A Rack

PRODUCT ACCESSORIES

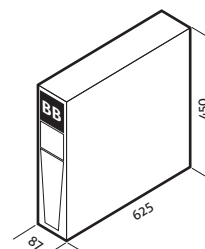
Universal rails for installation in rack cabinets

BATTERY BOX

MODELS

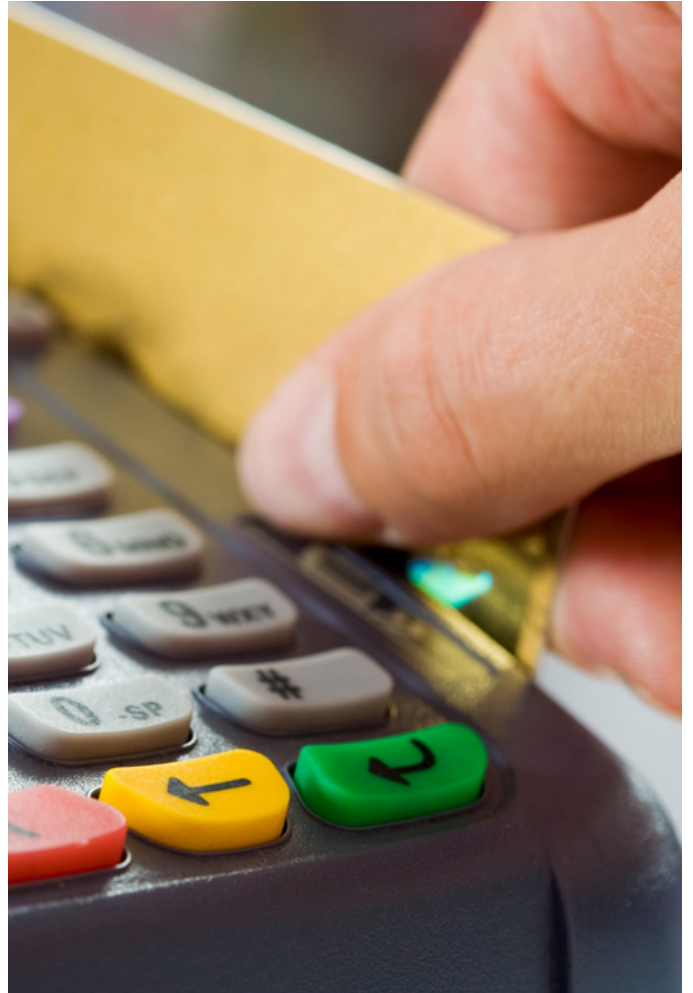
BB SDH 72-A3
BB SDH 72-M1

Dimensions (mm)



MODELS	VSD 1100	VSD 1500	VSD 2200	VSD 2200 ER	VSD 3000	VSD 3000 ER
POWER	1100 VA/990 W	1500 VA/1350 W	2200 VA/1980 W	2200 VA/1760 W	3000 VA/2700 W	3000 VA/2400 W
INPUT						
Nominal voltage	220-230-240 Vac					
Voltage range without battery intervention	162 Vac < Vin < 290 Vac					
Maximum permitted voltage	300 V					
Nominal frequency	50 or 60 Hz ±5Hz					
Frequency range	50 Hz ± 5% / 60 Hz ± 5%					
Power factor	> 0,98					
Current distortion	≤7%					
OUTPUT						
Voltage distortion with linear load / with non-linear load	< 3% / < 8%					
Frequency	Selectable: 50 Hz or 60 Hz or self-learning					
Waveform	Sinusoidal					
Current crest factor	2,5 : 1					
Efficiency ECO and Smart Active Modes	98,5%					
Overload Times	125% for 10 seconds, 150% for 1 second					
BATTERIES						
Type	VRLA AGM maintenance-free lead based					
Recharge time	2-4 hours					
OTHER FEATURES						
Net weight (kg)	16,5	17,5	28	15,5	31,5	16,5
Gross weight (kg)	20	21	33	20,5	36,5	21,5
Dimensions (WxDxH) (mm)	87 x 450 x 425 (2U x 19" x 425)			87 x 450 x 625 (2U x 19" x 625)		
Packaged dimensions (WxDxH) (mm)	240 x 500 x 600			240 x 600 x 760		
Protection against overvoltages	300 joules					
Protections	Overcurrent - short-circuit - overvoltage - undervoltage - temperature - excessive low battery					
Communications	USB / DB9 with RS232 and contacts / Slot for communications interface					
Input plugs	1 IEC 320 C14			1 IEC 320 C20		
Output sockets	8 IEC 320 C13			8 IEC 320 C13 + 1 IEC 320 C19		
Standards	Safety: EN 62040-1 and Directive 2006/95/EL; EMC: EN 62040-2 category C2 and Directives 2004/108/EL					
Operating temperature	0 °C / +40 °C					
Relative humidity	<95% non-condensing					
Colour	Black					
Noise level at 1 m (ECO Mode)	< 40 dBA					
Standard equipment provided	Power cable, serial cable, USB cable, safety manual, quick start guide, user manual on CD-ROM					







SOHO



E-MEDICAL



INDUSTRY



EMERGENCY

Sentinel Pro



ONLINE



Tower



1:1 700-3000 VA



USB plug



GS Nemko certified



Supercaps UPS



Plug & Play installation

HIGHLIGHTS

- **Operating flexibility**
- **Emergency function**
- **Battery optimisation**
- **Runtime expandability**
- **Low noise level**

Sentinel Pro has a unique and modern design and improved performance developed by the Riello UPS research and development team. Sentinel Pro uses on-line double conversion technology, resulting in the highest levels of reliability and maximum protection for critical loads such as servers, and IT and voice/data applications.

For business continuity applications requiring long battery runtimes, battery autonomy can be extended up to several hours using ER models fitted with more powerful battery chargers. The front display panel has been entirely redesigned, adding an LCD display that

shows the input and output voltages, battery readings and UPS operating status information. The inverter and the microprocessor control stage has been completely redesigned to provide increased efficiency and greater configuration options. Maximum expandability: the Sentinel Pro is supplied as standard with a USB port and an expansion slot for protocol conversion or relay contacts boards.

With energy savings in mind, Sentinel Pro is also fitted with a shut-off button to reduce energy consumption to zero during prolonged periods of inactivity (ECO LINE). Sentinel Pro is available in 700 VA, 1000 VA, 1500 VA, 2200 VA and 3000 VA models.



Operating flexibility

Different operating modes that can be programmed according to user requirements and the load to be powered have been introduced in order to reduce energy consumption.

- **On line:** maximum load protection and output voltage waveform quality
- **Economy Mode:** the UPS uses line interactive technology, with the load powered by the mains, reducing consumption and thus improving efficiency (up to 98%).
- **Smart Active Mode:** the UPS automatically selects on-line or line interactive operation, depending on the quality of the mains supply, checking the number, frequency and type of disturbances present.
- **Stand by Off (emergency):** The UPS supplies the load only when the mains fails. The inverter begins working with a progressive start-up sequence to prevent inrush currents.
- **Frequency converter** operation (50 or 60 Hz).

Emergency function

This configuration ensures the operation of emergency systems that must be supplied in the event of a mains power failure, such as emergency lighting, fire detection/ extinguishing systems and alarms. When the mains power supply fails, the inverter begins powering the loads with a progressive start-up (Soft Start) in order to prevent overload. Sentinel Pro is compliant for installation in medium-voltage transformer rooms in accordance with applicable legislation, for the power supply with reserve charge of medium-voltage coils.



Battery optimisation

The Sentinel Pro range has a deep discharge protection device to optimise battery life. Periodically the UPS carries out a battery efficiency test (which can also be manually activated); its wide input voltage tolerance range helps to reduce battery usage and maintain performance over time.

Runtime expandability

Optional battery extension packs can be connected to increase UPS runtime. In addition the Sentinel Pro range includes ER versions with no internal batteries and more powerful battery chargers for longer runtimes.

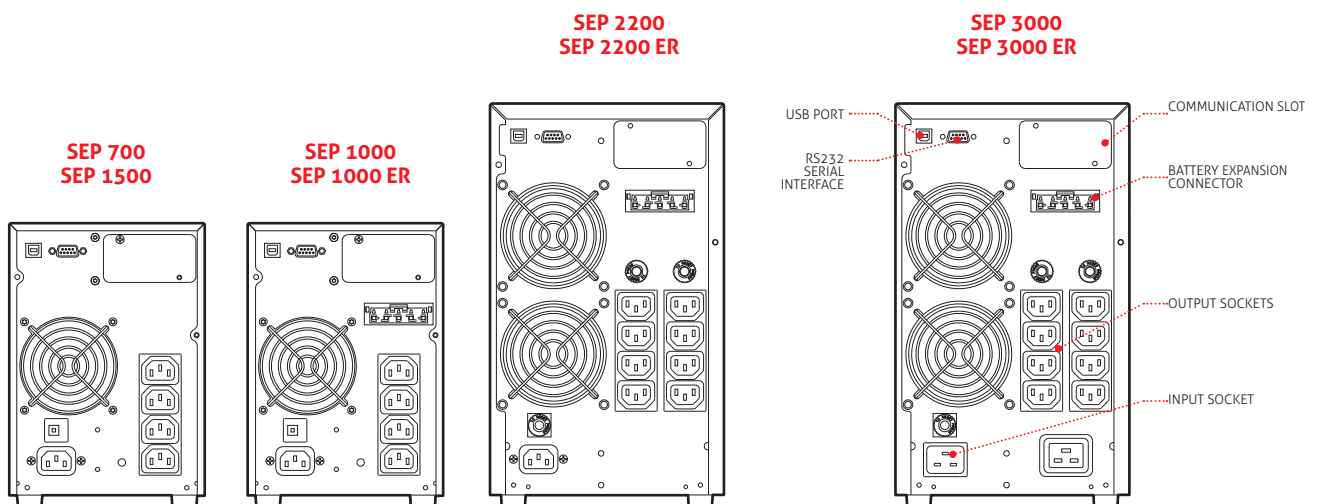
Low noise level

Thanks to the use of high frequency components and load-based fan speed control, the noise produced by the UPS is less than 40 dBA.

Features

- Filtered, stabilised and reliable voltage: double conversion on-line technology (VFI compliant with IEC 62040-3) with filters for the suppression of atmospheric disturbances.
- High overload capability (up to 150%)
- Programmable Auto-restart when mains is restored
- Battery start-up (cold start)

DETAILS



- Power factor correction (UPS input power factor, close to 1)
- Wide input voltage tolerance range (from 140 V to 276 V) without battery intervention.
- Runtime extendable up to several hours
- Fully configurable using UPS Tools configuration software
- Highly reliable batteries (automatic and manually-activated battery test)
- High level of UPS reliability (total microprocessor control)
- Low impact on the mains (sinusoidal take up).

Advanced communications

- Multi-platform communication for all operating systems and network environments: PowerShield³ supervision and shutdown software for Windows operating systems 8, 7, Hyper-V, 2012, 2008, and previous versions, Mac OS X, Linux, VMWare ESXi, Citrix XenServer and other Unix operating systems
- UPS Tools configuration and customisation software supplied as standard
- RS232 serial port and opto-isolated contacts
- USB port
- Slot for communications boards.

2-YEAR WARRANTY

OPTIONS

SOFTWARE

PowerShield³
PowerNetGuard

ACCESSORIES

NETMAN 204
MULTICOM 302
MULTICOM 352
MULTICOM 372
MULTICOM 382
MULTICOM 401
MULTI I/O
Interface kit AS400

MULTIPANEL

RTG 100
Manual Bypass 16 A
Automatic Bypass 16 A
MULTIPANEL
RTG 100
Manual Bypass 16 A
Automatic Bypass 16 A

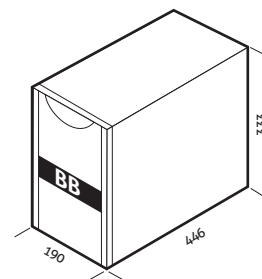
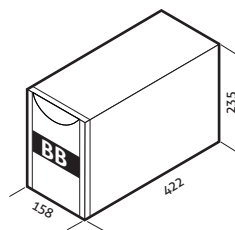
BATTERY BOX

MODELS

BB SEP 36-A3 / BB SEP 36-M1

BB SEP 72-A3 / BB SEP 72-M1

Dimensions
(mm)



MODELS	SEP 700	SEP 1000	SEP 1000 ER	SEP 1500	SEP 2200	SEP 2200 ER	SEP 3000	SEP 3000 ER				
POWER	700 VA/560 W		1000 VA/800 W		1500 VA/1200 W		2200 VA/1760 W		3000 VA/2400 W			
INPUT												
Nominal voltage	220-230-240 Vac											
Voltage range without battery intervention	140 Vac < Vin < 276 Vac @50% LOAD / 184 Vac < Vin < 276 Vac @ 100% LOAD											
Maximum permitted voltage	300 Vac											
Nominal frequency	50/60 Hz											
Frequency range	50 Hz ± 5% / 60 Hz ± 5%											
Power factor	> 0,99											
Current distortion	≤7%											
BYPASS												
Voltage tolerance	180 - 264 Vac											
Frequency tolerance	Frequency selected (from ±1,5Hz to ±5Hz configurable)											
Overload Times	125% for 5 seconds, 150% for 1 second											
OUTPUT												
Voltage distortion with linear load / with non-linear load	< 2% / < 4%											
Frequency	Selectable: 50 Hz or 60 Hz or self-learning											
Static variation	± 1%											
Dynamic variation	≤ 5% in 20 msec.											
Waveform	Sinusoidal											
Current crest factor	3 : 1											
Efficiency ECO and Smart Active Modes	98%											
BATTERIES												
Type	VRLA AGM maintenance-free lead based; Supercaps											
Recharge time	2-4 hours		N.A.		2-4 hours		N.A.		2-4 hours		N.A.	
OTHER FEATURES												
Net weight (kg)	10,9	13,3	7	14,8	25,6	14	28	15				
Gross weight (kg)	12,5	14,9	8,6	15,5	28,8	17	31,2	18				
Dimensions (WxDxH) (mm)	158 x 422 x 235					190 x 446 x 333						
Packaging dimensions (WxDxH) (mm)	245 x 500 x 340					325 x 585 x 470						
Protection against overvoltage	300 joules											
Protections	Overcurrent - short-circuit - overvoltage - undervoltage - temperature - excessive low battery											
Communications	USB / DB9 with RS232 and contacts / Slot for communications interface											
Input plugs	1 IEC 320 C14					1 IEC 320 C20						
Output sockets	4 IEC 320 C13				8 IEC 320 C13				8 IEC 320 C13 + 1 IEC 320 C19			
Standards	Safety: EN 62040-1 and Directive 2006/95/EL; EMC: EN 620040-2 category C2 and Directives 2004/108/EL											
Operating temperature	0 °C / +40 °C											
Relative humidity	< 95% non-condensing											
Colour	Black											
Noise level at 1 m (ECO Mode)	< 40 dBA											
Standard equipment provided	Power cable, IEC-IEC cable, USB cable, safety manual, quick start guide											

Sentinel Dual

Low Power



SOHO



DATACENTRE



E-MEDICAL



INDUSTRY



TRANSPORT



EMERGENCY



ONLINE



TowerRack



1:1 1-3 kVA



USB plug



Hot swap battery



Energy share



Plug & Play installation



HIGHLIGHTS

- **Simplified installation**
- **Installation versatility**
- **Reduced running costs**
- **Runtime expandability**
- **Low noise level**

Sentinel Dual is the new range of high density double conversion online UPS, suitable for powering a wide range of devices such as servers, storage systems, telephony - VoIP equipment, network and medical systems as well as industrial applications.

It is also ideal for powering and protecting Blade Server systems with high input power factor. At only 2U, Sentinel Dual is ideal for 19" rack cabinet installations. Sentinel Dual has a practical, modern design and includes several performance advantages over traditional on-line UPS. All developed by the Riello UPS research and

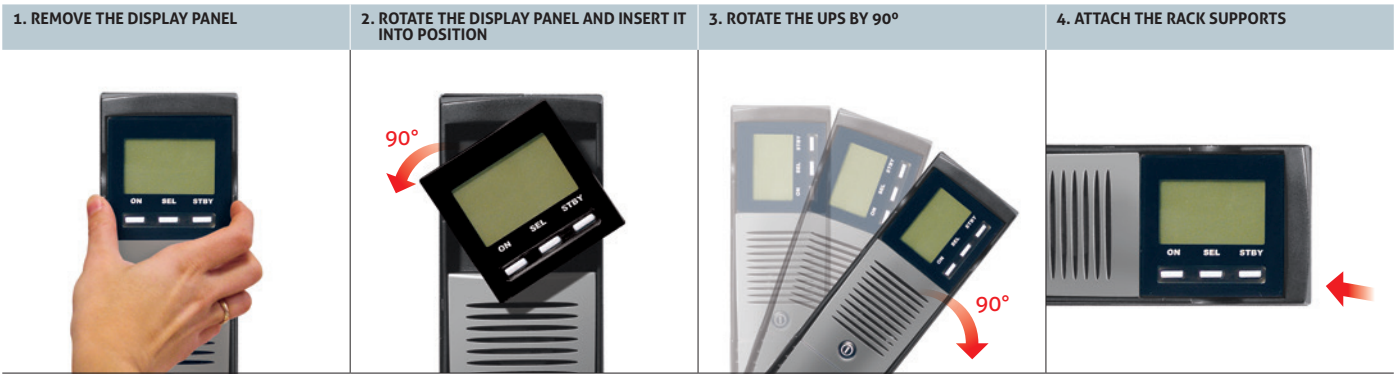
development team.

The newly-designed inverter is one of the best energy conversion systems on the market, with a 0.9 output power factor and 92% operating efficiency in on-line mode.

For business continuity applications requiring long battery runtimes, battery autonomy can be extended up to several hours using ER models fitted with more powerful battery chargers.

With energy savings in mind, Sentinel Dual is also fitted with a shut-off button to reduce energy consumption to zero during prolonged periods of inactivity.





Simplified installation

- Sentinel Dual can be installed as a tower or in 19" rack cabinets, by simply removing and rotating the display panel
- Low noise (<40 dBA): can be installed in any environment thanks to its high frequency switching inverter and PWM load-dependent digitally controlled fan.
- Operation guaranteed up to 40°C (the components are designed for high temperatures and are thus subject to less stress at normal temperatures)
- On Sentinel Dual models, the output sockets can be programmed to disconnect less critical loads during blackouts (EnergyShare function).

Installation versatility

Sentinel Dual can be used in a tower or rack format, by simply turning the display and adding the supplied handles or optional runners.

Reduced running costs

The UPS is highly flexible and easy to configure. Programmable functions can be set via software or manually via the front display panel. Sentinel Dual can be configured in the following operating modes:

- **On Line**, maximum load protection and output voltage waveform quality
- **ECO Mode**, to increase efficiency (up to 98%); allows you to select Line Interactive technology
- **Smart Active**, the UPS automatically decides the operating mode based on the mains power quality
- **Emergency**, the UPS can be selected to function only when the mains power supply fails (emergency only mode)
- **Frequency converter** operation (50 or 60 Hz).

Advanced communications

Sentinel Dual offers maximum flexibility for integration with all types of communication systems.

- Multi-platform communication for all operating systems and network environments: PowerShield³ supervision and shutdown software for Windows operating systems 8, 7, Hyper-V, 2012, 2008, and previous versions, Mac OS X, Linux, VMWare ESXi, Citrix XenServer and other Unix operating systems.
- UPS Tools configuration and customisation software supplied as standard
- RS232 serial port and opto-isolated contacts
- USB port
- Slot for communications boards such as Modbus/Jbus, TCP/IP-SNMP and relay contacts.

Emergency function

This configuration ensures the operation of emergency systems that must be supplied in the event of a mains power failure, such as emergency lighting, fire detection/ extinguishing systems and alarms.

When the mains power supply fails, the inverter begins powering the loads with a progressive start-up (Soft Start) in order to prevent overload.

Sentinel Dual is compliant for installation in medium-voltage transformer rooms in accordance with applicable legislation, for the power supply with reserve charge of medium-voltage coils.

High quality output voltage

- Even with non-linear loads (IT loads with a crest factor of up to 3:1)
- High short circuit current on bypass
- High overload capacity: 150% by inverter (even with mains failure)
- Filtered, stabilised and reliable voltage (On-line double conversion technology (VFI compliant with EN62040-2 class C2) with filters for the suppression of atmospheric disturbances
- Power factor correction: UPS input power factor close to 1 and sinusoidal current uptake.

High battery reliability

- Automatic and manual battery test
- Batteries are user replaceable without switching off equipment and without interruption to the load (Hot Swap)
- Unlimited extendible runtime using matching battery boxes.

Low noise level

Thanks to the use of high frequency components and load-based fan speed control, the noise produced by the UPS is less than 40 dB.

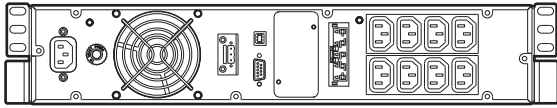
Other features

- Output voltage can be selected via software (220-230-240 V)
- Auto-restart when mains power is restored (programmable via software)
- Stand-by on bypass: when the machine is switched off, it automatically goes into bypass and battery charge mode
- Minimum load switch-off
- Battery discharge warning
- Start-up delay
- Total microprocessor control
- Automatic bypass without interruption
- Status, measurements and alarms available on standard backlit display
- UPS firmware updating via PC
- Input protection via resettable thermal switch (versions up to 1500VA)
- Back-feed protection standard: to prevent energy from being fed back to the network
- Manual switching to bypass.

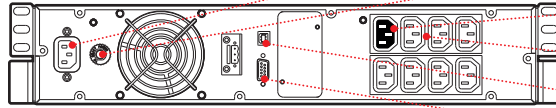
2-YEAR WARRANTY

DETAILS

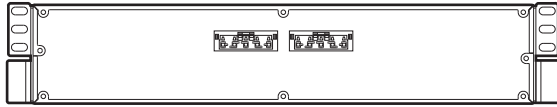
SDH 1000



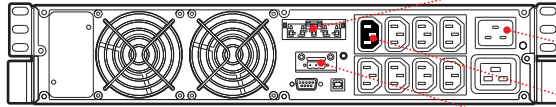
SDH 1500



BBX



SDH 2200/2200ER 3000/3000 ER



- INPUT SOCKET
- INPUT THERMAL PROTECTION
- ENERGY SHARE
- OUTPUT SOCKETS
- USB PORT
- RS232 SERIAL
- BATTERY EXPANSION SOCKET
- INPUT PLUG
- ENERGY SHARE
- EMERGENCY SWITCH DEVICE (ESD)

OPTIONS

SOFTWARE

PowerShield³
PowerNetGuard

ACCESSORIES

NETMAN 204
MULTICOM 302
MULTICOM 352
MULTICOM 372

MULTICOM 382

MULTICOM 401

MULTI I/O

Interface kit AS400

MULTIPANEL

RTG 100

Manual Bypass 16 A

Manual Bypass 16 A Rack

Automatic Bypass 16 A

Automatic Bypass 16 A Rack

PRODUCT ACCESSORIES

Universal rails for installation in rack cabinets

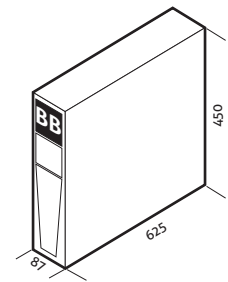
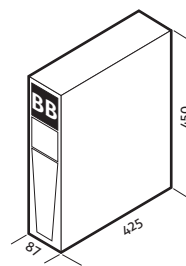
BATTERY BOX

MODELS

BB SDH 36-A3 / BB SDH 36-M1

BB SDH 72-A3 / BB SDH 72-M1

Dimensions
(mm)



MODELS	SDH 1000	SDH 1500	SDH 2200	SDH 2200 ER	SDH 3000	SDH 3000 ER
POWER	1000 VA/900 W	1500 VA/1350 W	2200VA/1980 W	2200VA/1760 W	3000 VA/2700 W	3000 VA/2400 W
INPUT						
Nominal voltage	220-230-240 Vac					
Voltage range without battery intervention	140 Vac < Vin < 276 Vac @50% LOAD / 184 Vac < Vin < 276 Vac @ 100% LOAD					
Maximum permitted voltage	300 V					
Nominal frequency	50/60 Hz ±5Hz					
Frequency range	50 Hz ± 5% / 60 Hz ± 5%					
Power factor	> 0,98					
Current distortion	≤7%					
BYPASS						
Voltage tolerance	200 - 253 Vac					
Frequency tolerance	Frequency selected (from ±0.5Hz to ±5Hz configurable)					
Overload Times	125% for 4 seconds, 150% for 0,5 seconds					
OUTPUT						
Voltage distortion with linear load / with non-linear load	< 2%					
Frequency	Selectable: 50 Hz or 60 Hz or self-learning					
Static variation	± 1%					
Dynamic variation	≤ 5% in 20 msec.					
Waveform	Sinusoidal					
Current crest factor	3 : 1					
Efficiency ECO and Smart Active Modes	98%					
BATTERIES						
Type	VRLA AGM maintenance-free lead based					
Recharge time	2-4 hours					
OTHER FEATURES						
Net weight (kg)	17,5	18	30,5	15	31	15
Gross weight (kg)	21	21,5	35	19,5	35,5	19,5
Dimensions (WxDxH) (mm)	(T- 87 x 425 x 450) (R- 19" x 425 x 2U)			(T- 87 x 625 x 450) (R- 19" x 625 x 2U)		
Packaged dimensions (WxDxH) (mm)	550 x 600 x 245			600 x 760 x 245		
Protection against overvoltages	300 joules					
Protections	Overcurrent - short-circuit - overvoltage - undervoltage - temperature - excessive low battery					
Communications	USB / DB9 with RS232 and contacts / Slot for communications interface					
Input plugs	1 IEC 320 C14			1 IEC 320 C20		
Output sockets	8 IEC 320 C13			8 IEC 320 C13 + 1 IEC 320 C19		
Standards	Safety: EN 62040-1 and Directive 2006/95/EL; EMC: EN 620040-2 category C2 and Directives 2004/108/EL					
Operating temperature	0 °C / +40 °C					
Relative humidity	< 95% non-condensing					
Colour	Black					
Noise level at 1 m (ECO Mode)	< 40 dBA					
Standard equipment provided	Power cable, serial cable, USB cable, safety manual, quick start guide					

Sentinel Dual

High Power



SOHO



DATACENTRE



E-MEDICAL



INDUSTRY



TRANSPORT



EMERGENCY



ONLINE



TowerRack



1:1 **3:1** 3,3-10 kVA



USB plug



Hot swap battery



Energy share

HIGHLIGHTS

- **High Power Factor 0,9**
- **Simplified installation**
- **Operating mode selection**
- **High quality output voltage**
- **High battery reliability**

Sentinel Dual is the best solution for powering mission critical applications and electro-medical devices requiring maximum power reliability.

Flexibility of installation and use (digital display, user-replaceable battery set), as well as the many communication options available, makes Sentinel Dual suitable for many different applications from IT to security.

Sentinel Dual can be installed on the floor or in rack cabinets for networking applications. The Sentinel Dual range is available in 3,3-4-5-6-8-10 kVA models with on-line double conversion technology (VFI): the

load is powered continuously by the inverter which supplies a sinusoidal voltage, filtered and stabilised in terms of voltage, form and frequency. In addition, the input and output filters significantly increase the load's immunity to mains disturbances and lightning strikes.

Technology and performance: selectable Economy Mode and Smart Active Mode functions. Diagnostics: Standard digital display, RS232 and USB interfaces with PowerShield³ software included, communications slot for connectivity accessories.





Simplified installation

- Can be installed on the floor (tower version) or in rack mount cabinets (rack version). The display panel can be rotated (using the key supplied)
- Low noise (<40 dBA): can be installed in any environment thanks to its high frequency switching inverter and PWM load-dependent digitally controlled fan.
- External bypass option for maintenance with interruption-free switching (5-6-8-10 kVA SDL)
- Operation guaranteed up to 40°C (the components are designed for high temperatures and are thus subject to less stress at normal temperatures)
- Two built-in IEC output sockets with thermal protection (5-6-8-10 kVA SDL)
- On the 5-6-8-10 kVA models, it is also possible to program two 10 A output sockets when the mains power supply fails (PowerShare function).

Operating mode selection

Functions can be programmed via software or manually via the front display panel.

- **On line**
- **Economy Mode:** to increase efficiency (up to to 98%), allows for the selection of Line Interactive technology (VI) to power low priority loads from the mains supply
- **Smart Active:** the UPS automatically decides upon the operating mode (VI or VFI) based on the quality of the mains power supply
- **Emergency:** the UPS can be selected to function only when the mains power supply fails (emergency only mode).
- **Frequency converter** operation (50 or 60 Hz).

High quality output voltage

- Even with non-linear loads (IT loads with a crest factor of up to 3:1)
- High short circuit current on bypass
- High overload capacity: 150% by inverter (even with mains failure)
- Filtered, stabilised and reliable voltage (double conversion on-line technology

(VFI compliant with EN62040-3)), with filters for the suppression of atmospheric disturbances.

- Power factor correction: UPS input power factor close to 1 and sinusoidal current uptake.

High battery reliability

- Automatic and manual battery test
- Reduced ripple component (detrimental to the batteries) using a low ripple current discharge (LCRD) system
- Batteries are user replaceable without switching off equipment and without interruption to the load (Hot Swap)
- Unlimited extendible runtime using matching Battery Boxes
- The batteries do not cut in during mains failures of <40 ms (high hold up time) or when the input supply is between 84 V to 276 V.

Emergency function

This configuration ensures the operation of those emergency systems that require continuous, reliable and long-lasting power supply in the event of a mains power failure, such as emergency lighting, fire detection/ extinguishing systems and alarms. When the mains power supply fails, the inverter begins powering the loads with a progressive start-up (Soft Start) in order to prevent overload.

Battery optimisation

The wide input voltage range and a high hold-up time minimise battery usage and increase efficiency and battery life; for smaller power breaks, energy is drawn from a group of appropriately-sized capacitors.

EnergyShare (5-10 kVA versions)

Two 10 A configurable IEC output sockets allow for runtime optimisation by programming the switching off of low priority loads on mains failure; alternatively, emergency loads that are normally not powered when mains is present can be activated.

Other features

- Selectable output voltage (220-230-240 V)
- Auto-restart when mains power is restored (programmable via software)
- Bypass on: when the machine is switched off, it automatically goes into bypass and battery charge mode
- Minimum load switch-off
- Low battery warning
- Start-up delay
- Total microprocessor control
- Automatic bypass without interruption
- Use of IMS modules (Insulated Metallic Substrates)
- Status, measurements and alarms available on standard backlit display
- UPS digital updating (flash upgradeable)
- Input protection via resettable thermal switch
- Back-feed protection standard: to prevent energy from being fed back to the network
- Manual switching to bypass.

Advanced communications

- Advanced multi-platform communications for all operating systems and network environments: PowerShield³ monitoring and shutdown software for Windows operating systems 8, 7, Hyper-V, 2012, 2008, and previous versions, Mac OS X, Linux, VMWare ESXi, Citrix XenServer and other Unix operating systems
- Plug and play function
- USB port
- RS232 serial port
- Slot for installation of communications boards.

High Power Factor

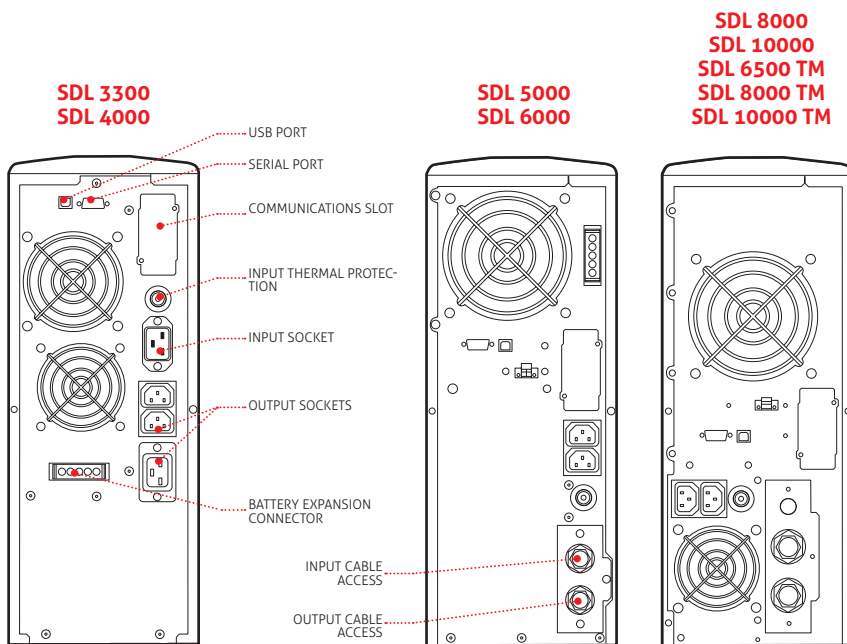
- More power delivered
- More real output power (W)

2-YEAR WARRANTY

BATTERY BOX

MODELS	BB SDL 108-A4 / BB SDL 108-M1	BB SDL 192-A3/ BB SDL 192-A6	BC SDL 108-B1
Dimensions (mm)			

DETAILS



OPTIONS

SOFTWARE

PowerShield³
PowerNetGuard

ACCESSORIES

NETMAN 204
MULTICOM 302
MULTICOM 352
MULTICOM 372
MULTICOM 382
MULTICOM 401
MULTI I/O
Interface kit AS400
MULTIPANEL
RTG 100

Manual Bypass 16 A Ⓛ
Manual bypass 16 A Rack Ⓛ
Automatic bypass 16 A Ⓛ
Automatic bypass 16 A Rack Ⓛ

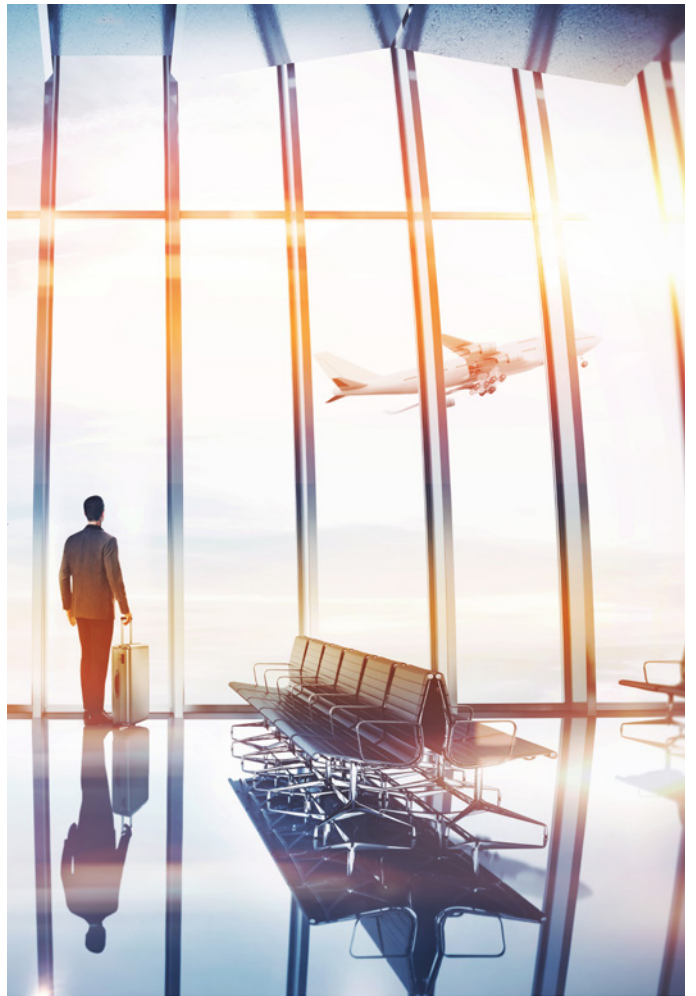
PRODUCT ACCESSORIES

Universal rails for installation in rack cabinets

Note: Ⓛ 3300-4000 VA

MODELS	SDL 3300	SDL 4000	SDL 5000	SDL 6000	SDL 8000	SDL 10000
POWER	3300 VA/2300 W	4000 VA/2400 W	5000 VA/4500 W	6000 VA/5400 W	8000 VA/7200 W	10000 VA/9000 W
INPUT						
Nominal voltage	220-230-240 Vac					
Minimum voltage	184 Vac					
Nominal frequency	50/60 Hz ±5Hz					
Power factor	> 0,98					
Current distortion	≤7%					
BYPASS						
Voltage tolerance	180 - 264 Vac (selectable in Economy Mode or Smart Active Mode)					
Frequency tolerance	Selected frequency ±5% (selectable by user)					
Overload Times	125% for 4 seconds, 150% for 0,5 seconds					
OUTPUT						
Nominal voltage	220-230-240 Vac selectable					
Voltage distortion	< 3% with linear load / < 6% with non-linear load					
Frequency	50/60 Hz selectable					
Static variation	1,5%					
Dynamic variation	≤ 5% in 20 ms					
Waveform	Sinusoidal					
Crest factor	3 : 1					
BATTERIES						
Type	VRLA AGM maintenance-free lead based					
Recharge time	4-6 hours					
OTHER FEATURES						
Net weight (kg)	38	40	62	64	94	95
Gross weight (kg)	42,5	44,5	70	72	102	103
Dimensions (WxDxH) (mm)	175 x 520 x 455 tower 19" x 520 x 4U rack		175 x 660 x 455 tower 19" x 660 x 4U rack		2 x (175 x 660 x 455) tower 2 x (19" x 660 x 4U) rack	
Packaged dimensions (WxDxH) (mm)	540 x 620 x 280		720 x 530 x (270+15)		780 x 555 x (270+15)	
Efficiency Line-interactive/Smart Active	98%					
Protections	Overcurrent - short-circuit - overvoltage - undervoltage - temperature - excessive low battery					
Communications	USB / RS232 + slot for communications interface					
Input plugs	1 IEC 320 C20		Terminal block			
Output sockets	2 IEC 320 C13 + 1 IEC 320 C20		Terminal board + 2 IEC 320 C13			
Standards	EN 62040-1 EMC EN 62040-2 Directives 73/23 - 93/68 - 2004/108 EC EN 62040-3					
Operating temperature	0 °C / +40 °C					
Relative humidity	< 95% non-condensing					
Colour	Dark grey RAL 7016					
Noise level at 1 m (ECO Mode)	< 40 dBA		< 45 dBA			
Standard equipment provided	2 10 A cables; 1 IEC-16 A plug; software; serial cable; keys for releasing display panel; handles kit		2 cable guides; cable tips; software; serial cable; keys for releasing display panel; handles kit			

MODELS	SDL 6500 TM	SDL 8000 TM	SDL 10000 TM
POWER	6500 VA/5850 W	8000 VA/7200 W	10000 VA/9000 W
INPUT			
Nominal voltage	400 Vac three-phase + N		
Minimum voltage (F + N)	164 Vac @ 100% load / 84 Vac @ 50% load		
Nominal frequency	50/60 Hz ±5 Hz		
Power factor	> 0,95		
BYPASS			
Voltage tolerance	180 - 264 Vac (selectable in Economy Mode or Smart Active Mode)		
Frequency tolerance	Selected frequency ±5% (selectable by user)		
Overload Times	125% for 4 seconds, 150% for 0,5 seconds		
OUTPUT			
Nominal voltage	220-230-240 Vac selectable		
Voltage distortion	< 3% with linear load / < 6% with non-linear load		
Frequency	50/60 Hz selectable		
Static variation	1,5%		
Dynamic variation	≤ 5% in 20 ms		
Waveform	Sinusoidal		
Crest factor	3 : 1		
BATTERIES			
Type	VRLA AGM maintenance-free lead based		
Recharge time	4-6 hours		
OTHER FEATURES			
Net weight (kg)	91	94	95
Gross weight (kg)	99	102	103
Dimensions (WxDxH) (mm)	2 x (175 x 660 x 455) tower / 2 x (19" x 660 x 4U) rack		
Packaged dimensions (WxDxH) (mm)	780 x 555 x (270+15)		
Smart Active efficiency	up to 98%		
Protections	Overcurrent - short-circuit - overvoltage - undervoltage - temperature - excessive low battery		
Communications	USB / RS232 + slot for communications interface		
Input plugs	Terminal block		
Output sockets	Terminal board + 2 IEC 320 C13		
Standards	EN 62040-1 EMC EN 62040-2 Directives 73/23 - 93/68 - 2004/108 EC EN 62040-3		
Operating temperature	0 °C / +40 °C		
Relative humidity	< 95% non-condensing		
Colour	Dark grey RAL 7016		
Noise level at 1 m (ECO Mode)	< 45 dBA		
Standard equipment provided	2 cable guides; cable tips; software; serial cable; keys for releasing display panel; handles kit		



Sentinel Power Green



SOHO



DATACENTRE



E-MEDICAL



INDUSTRY



TRANSPORT



EMERGENCY



ONLINE



Tower



1:1 6 kVA

1:1 **3:1** 8-20 kVA



SENTINELPOWER GREEN

SENTINELPOWER GREEN



USB plug



Energy share



Service 1st start

HIGHLIGHTS

- **Small footprint**
- **Power factor 0,9**
- **High efficiency 97%**
- **Parallelable 2+1**
- **Simplified installation**
- **High quality output voltage**

Sentinel Power Green is the ideal solution for protecting IT systems, telecommunications equipment and mission critical systems such as safety devices, ensuring maximum power reliability. Sentinel Power Green is designed and built using state-of-the-art technology and components to provide maximum protection to the powered loads with no impact on downstream systems and optimised energy savings. The series includes 6 kVA single/single-phase and 8-20 kVA single/single-phase and three/single-phase models with on-line double conversion technology (VFI):

the load is powered continuously by the inverter which supplies a sinusoidal voltage, filtered and stabilised in terms of form and frequency. Input and output filters provide significant further immunity from mains disturbances and lightning strikes. In terms of technology and performance, Sentinel Power Green is one of the best UPS available on the market today: selectable Economy Mode and Smart Active Mode functions; custom diagnostics LCD display, RS232 and USB interfaces with Powershield³ software, ESD input, interface slot with optional boards.



High UPS reliability

- Total microprocessor control.
- Interruption-free static and manual bypass.
- Specifications guaranteed up to 40°C (the components are designed to work at high temperatures and thus are subject to less stress at normal temperatures).

Parallelable

Parallel configuration of 3 units for (2+1) redundant or power parallel system. The UPS continue to operate in parallel even if the connection cable is interrupted (Closed Loop).

Operating mode selection

The operating mode can be programmed via software or manually via the front display panel.

- **On line:** double conversion Mode: for critical applications.
- **Economy Mode:** to increase efficiency (up to to 98%), allows for the selection of Line Interactive technology (VI) to power low priority loads from the mains supply.
- **Smart Active:** the UPS automatically decides upon the operating mode (VI or VFI) based on the quality of the mains power supply.
- **Emergency:** the UPS can be selected to function only when the mains power supply fails (emergency only mode).
- **Frequency converter** operation (50 or 60 Hz).

High quality output voltage

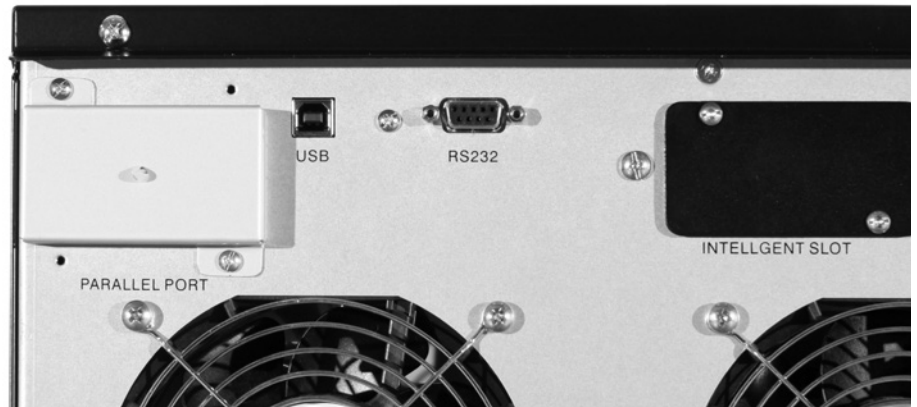
- Even with non-linear loads (IT loads with a crest factor of up to 3:1).
- High short circuit current on bypass.
- High overload capacity: 150% by inverter (even with mains failure).
- Filtered, stabilised and reliable voltage (double conversion on-line technology - VFI compliant with EN62040-3), with filters for the suppression of atmospheric disturbances.
- Power factor correction: UPS input power factor close to 1 and sinusoidal current uptake.

Simplified installation

- UPS can be installed on a single-phase or three-phase distribution network.
- Output terminal board + 2 IEC sockets for powering local consumers (computers, modems, etc.).
- Simplified positioning (built-in castors).

High battery reliability

- Automatic and manual battery test.
- Proper battery care is critical to ensuring



correct UPS operation in emergency conditions. The Riello UPS battery care system consists of a series of features and capabilities to optimise battery management and obtain the best performance and operating life possible.

- Unlimited extendible runtime using matching Battery Boxes.
- The batteries do not cut in during mains failures of <40 ms (high hold up time) or when the input supply is between 84 V to 276 V.

Low impact on the mains

Sinusoidal uptake of input current on single-phase/single-phase series.

Other features

- Advanced diagnostics: status, measurements and alarms available on custom LCD display.
- Low noise (<40 dBA): can be installed in any environment thanks to its high frequency switching inverter and PWM load-dependent digitally controlled fan (>20 kHz, value above audible range).

- Auto restart (automatic when mains supply is restored, programmable via software or display panel).
- Emergency function: the UPS can be selected to function only when the mains power supply fails (emergency lights).
- Back-feed protection standard: to prevent energy from being fed back to the network.
- UPS digital updating (flash upgradeable).

Advanced communications

- Compatible with Riello UPS TeleNetGuard remote monitoring.
- Advanced multi-platform communications for all operating systems and network environments: PowerShield³ monitoring and shutdown software for Windows operating systems 8, 7, Hyper-V, 2012, 2008, and previous versions, Mac OS X, Linux, VMWare ESXi, Citrix XenServer and other Unix operating systems.
- RS232 serial and USB ports.
- Plug and play function.
- Slot for installation of communications boards.



OPTIONS

SOFTWARE

PowerShield³
PowerNetGuard

ACCESSORIES

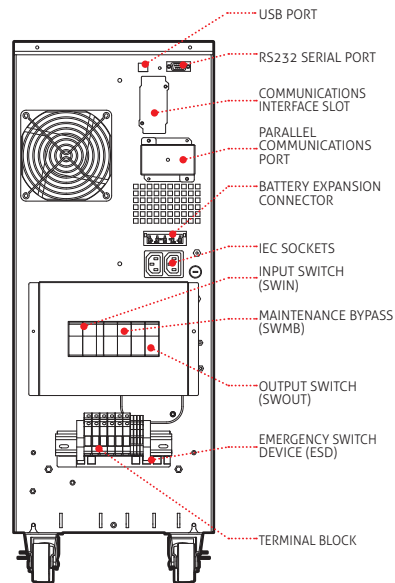
NETMAN 204
MULTICOM 302
MULTICOM 352
MULTICOM 372
MULTICOM 382
MULTICOM 401
MULTI I/O
Interface kit AS400
MULTIPANEL
RTG 100
Manual Bypass MBB 100 A

PRODUCT ACCESSORIES

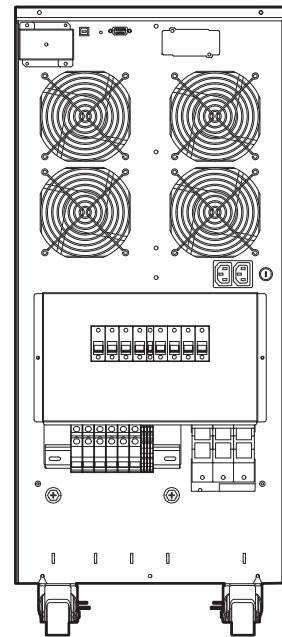
Isolation transformer module (hlp)
mm/kg: 500 x 400 x 265 / 80
(only for 5000-6000 VA models)

DETAILS

SPM 6 - SPH 8 - SPH 10 SPH 10 ER



SPH 15 - SPH 20 - SPH 20 ER



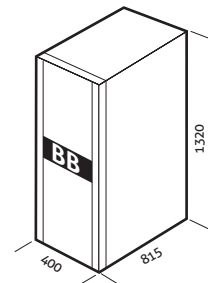
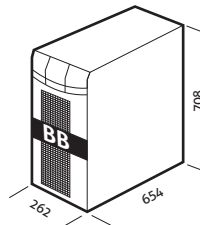
BATTERY BOX

MODELS

BB SPM 180-A3 / BB SPM 180-M1
BB SPH 240-A3 / BB SPH 240 M1

BB MST 1320 480

Dimensions
(mm)



MODELS	SPM 6	SPH 8	SPH 10	SPH 10 ER	SPH 15	SPH 20	SPH 20 ER	
POWER	6000 VA/ 5400 W	8000 VA/ 6400 W	10000 VA/ 9000 W	10000 VA/ 9000 W	15000 VA/ 13500 W	20000 VA/ 18000 W	20000 VA/ 18000 W	
INPUT								
Nominal voltage	220-230-240 Vac 1 ph	220-230-240 Vac 1 ph / 380-400-415 Vac 3 ph + N						
Minimum voltage without battery intervention	176 Vac @ 100% load / 110 Vac @ 50% load							
Maximum operating voltage	276 Vac							
Nominal frequency	50/60 Hz ±10 Hz							
BYPASS								
Voltage tolerance	160 - 276 Vac (selectable in Economy Mode or Smart Active Mode)							
Frequency tolerance	Selected frequency ±10%							
Overload Times	125% for 1 min, 150% for 10 seconds							
OUTPUT								
Nominal voltage	220-230-240 Vac selectable							
Voltage distortion	< 2% with linear load / < 5% with non-linear load							
Current distortion	3 %							
Frequency	50/60 Hz selectable or with automatic selection							
Static variation	± 1,5 %							
Dynamic variation	≤ 5% in 20 ms							
Waveform	Sinusoidal							
Crest factor	≥ 3 : 1							
BATTERIES								
Type	VRLA AGM maintenance-free lead based							
Recharge time	6-8 hours							
Recharge current (only for ER versions)	n.a.		8 A		n.a.		8 A	
OTHER FEATURES								
Net weight (kg)	63	78	84	28	146	157	48	
Gross weight (kg)	77	92	98	42	164	175	66	
Dimensions (WxDxH) (mm)	262 x 654 x 708				350 x 731 x 818			
Packaged dimensions (WxDxH) (mm)	720 x 428 x 970				870 x 475 x 1075			
Smart Active efficiency	up to 98%							
Protections	Overcurrent - short-circuit - overvoltage - undervoltage - temperature - excessive low battery							
Communications	USB / RS232 + slot for communications interface							
Parallel	max. 2 units in parallel with optional kit							
Input plugs	Terminal block							
Output sockets	Terminal block + 2 IEC 320 C13							
Standards	EN 62040-1 EMC EN 62040-2 Directives 2006/95/EC - 2004/108 EC EN 62040-3							
Operating temperature	0 °C / +40 °C							
Relative humidity	< 95% non-condensing							
Colour	Dark grey RAL 7016							
Noise level at 1 m (ECO Mode)	< 40 dBA							
Moving the UPS	castors							

Sentinel Power



SOHO



DATACENTRE



E-MEDICAL



INDUSTRY



TRANSPORT



EMERGENCY



ONLINE



Tower



1:1 5-6 kVA

1:1 **3:1** 6,5-10 kVA



USB
plug



Supercaps
UPS



Energy
share



Service
1st start



HIGHLIGHTS

- **High UPS reliability**
- **Operating mode selection**
- **High quality output voltage**
- **Simplified installation**
- **High battery reliability**
- **Low impact on the mains**

Sentinel Power is the ideal solution for powering sensitive, mission critical systems such as safety devices (electro-medical devices), ensuring maximum power reliability. The series includes 5-6 kVA single/single-phase and 6,5-8-10 kVA single/single-phase and three/single-phase models with on-line double conversion technology (VFI): the load is powered continuously by the inverter which supplies a sinusoidal voltage, filtered and stabilised in terms of voltage, form and

frequency. Input and output filters provide significant further immunity from mains disturbances and lightning strikes. In terms of technology, performance (selectable Economy and Smart Active Modes) and diagnostics (LCD custom display, RS232 and USB interfaces with Powershield³ software included, ESD input, interface slot for optional boards), Sentinel Power is one of the best UPS available on the market.



High UPS reliability

- Total microprocessor control.
- Interruption-free static and manual bypass.
- Specifications guaranteed up to 40 °C (the components are designed to work at high temperatures and thus are subject to less stress at normal temperatures).

Operating mode selection

The operating mode can be programmed via software or manually via the front display panel.

- **On line.**
- **Economy Mode:** to increase efficiency (up to 98%), allows for the selection of Line Interactive technology (VI) to power low priority loads from the mains supply.
- **Smart Active:** the UPS automatically decides upon the operating mode (VI or VFI) based on the quality of the mains power supply.
- **Emergency:** the UPS can be selected to function only when the mains power supply fails (emergency only mode).
- **Frequency converter** operation (50 or 60 Hz).

High quality output voltage

- Even with non-linear loads (IT loads with a crest factor of up to 3:1).
- High short circuit current on bypass.
- High overload capacity: 150% by inverter (even with mains failure).
- Filtered, stabilised and reliable voltage (double conversion on-line technology - VFI compliant with EN62040-3), with filters for the suppression of atmospheric disturbances.
- Power factor correction: UPS input power factor close to 1 and sinusoidal current uptake.

Simplified installation

- UPS can be installed on a single-phase or three-phase distribution network
- Output terminal board + 2 IEC sockets for powering local consumers (computers, modems, etc.)
- Simplified positioning (built-in castors).

High battery reliability

- Automatic and manual battery test
- Reduced ripple component (detrimental to the batteries) using a low ripple current discharge (LCRD) system
- Unlimited extendible runtime using matching Battery Boxes
- The batteries do not cut in during mains failures of <40 ms (high hold up time) or when the input supply is between 84 V to 276 V.

Energy-share

Two 10 A configurable IEC output sockets allow for runtime optimisation by programming the switching off of low priority loads on mains failure; alternatively, emergency loads that are normally not powered when mains is present can be activated.

Low impact on the mains

Sinusoidal uptake of input current on single-phase/single-phase series.

Other features

- Advanced diagnostics: status, measurements and alarms available on custom LCD display
- Low noise (<40 dBA): can be installed in any environment thanks to its high frequency switching inverter and PWM load-dependent digitally controlled fan (>20 kHz, value above audible range)
- Auto restart (automatic when mains supply is restored, programmable via software or display panel)
- Emergency function: the UPS can be selected to function only when the mains power supply fails (emergency lights)
- Back-feed protection standard: to prevent energy from being fed back to the network
- UPS digital updating (flash upgradeable).

Advanced communications

- Compatible with Riello UPS TeleNetGuard remote monitoring
- Advanced multi-platform communications for all operating systems and network environments: PowerShield³ monitoring and shutdown software for Windows operating systems 8, 7, Hyper-V, 2012, 2008, and previous versions, Mac OS X,



- Linux, VMWare ESXi, Citrix XenServer and other Unix operating systems
- RS232 serial port
- Plug and play function
- Slot for installation of communications boards.

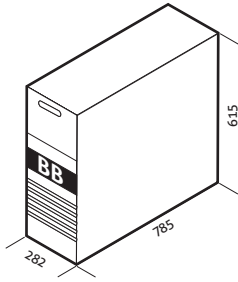


BATTERY BOX

MODELS

BB SPW 240-A3 / BB SPW 240-A6
BC SPW 240-M1 / BC SPW 240-M4

Dimensions
(mm)



OPTIONS

SOFTWARE

PowerShield³
PowerNetGuard

ACCESSORIES

NETMAN 204
MULTICOM 302
MULTICOM 352
MULTICOM 372
MULTICOM 382
MULTICOM 401
MULTI I/O
Interface kit AS400

MULTIPANEL

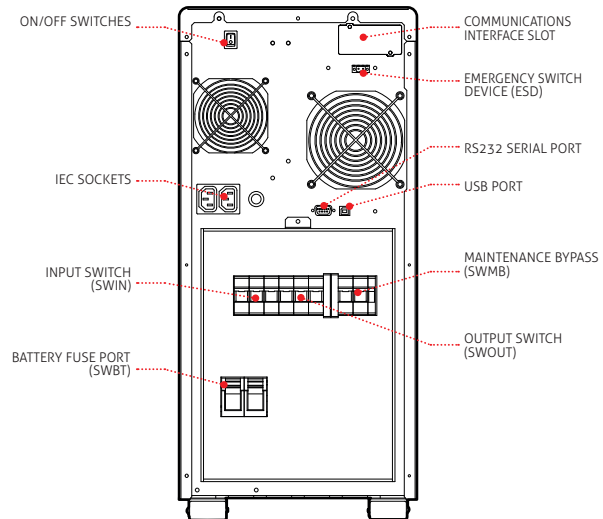
RTG 100
Manual Bypass MBB 100 A

PRODUCT ACCESSORIES

Isolation transformer module (hlp)
mm/kg: 500 x 400 x 265 / 80
(only for 5000-6000 VA models)

DETAILS

SPW 5000 - SPW 6000 SPW 6500 - SPT 8000 - SPW 10000



MODELS	SPW 5000	SPW 6000	SPT 6500	SPT 8000	SPT 10000
POWER	5000 VA/4000 W	6000 VA/4800 W	6500 VA/5200 W	8000 VA/6400 W	10000 VA/8000 W
INPUT					
Nominal voltage	220-230-240 Vac single-phase		220-230-240 Vac single-phase or 380-400-415 Vac three-phase + N		
Minimum voltage without battery intervention	170 Vac @ 100% load / 140 Vac @ 50% load				
Nominal frequency	50/60 Hz ±5 Hz				
BYPASS					
Voltage tolerance	180 - 264 Vac (selectable in Economy Mode or Smart Active Mode)				
Frequency tolerance	Selected frequency ±5%				
Overload Times	125% for 4 seconds, 150% for 0,5 seconds				
OUTPUT					
Nominal voltage	220 - 230 - 240 Vac selectable				
Voltage distortion	< 3% with linear load / < 6% with non-linear load				
Frequency	50/60 Hz selectable or with automatic selection				
Static variation	± 1,5 %				
Dynamic variation	≤ 5% in 20 ms				
Waveform	Sinusoidal				
Crest factor	≥ 3 : 1				
BATTERIES					
Type	VRLA AGM maintenance-free lead based				
Recharge time	6-8 hours				
OTHER FEATURES					
Net weight (kg)	91		92	105	106
Gross weight (kg)	99		100	110	111
Dimensions (WxDxH) (mm)	282 x 785 x 615				
Packaged dimensions (WxDxH) (mm)	863 x 388 x (650+15)				
Smart Active efficiency	up to 98%				
Protections	Overcurrent - short-circuit - overvoltage - undervoltage - temperature - excessive low battery				
Communications	USB / RS232 + slot for communications interface				
Input plugs	Terminal board				
Output sockets	Terminal board + 2 IEC 320 C13				
Standards	EN 62040-1 EMC EN 62040-2 Directives 2006/95/EC - 2004/108 EC EN 62040-3				
Operating temperature	0 °C / +40 °C				
Relative humidity	< 95% non-condensing				
Colour	Dark grey RAL 7016				
Noise level at 1 m (ECO Mode)	< 45 dBA				
Moving the UPS	castors				

Multi Sentry

10-20 kVA



DATACENTRE



E-MEDICAL



INDUSTRY



TRANSPORT



EMERGENCY



ONLINE



Tower



1:1 **3:1** 10-20 kVA

3:3 10-20 kVA



USB plug



SmartGrid ready



Supercaps UPS



Energy share



Service 1st start

HIGHLIGHTS

- **Large power size selection 10, 12, 15, 20 kVA**
- **Small footprint**
- **Zero impact source**
- **Flexibility of use**
- **Advanced communications**

The Multi Sentry series is ideal for protecting data centres and telecommunications systems, IT networks and critical systems in general, where the risks connected with poor energy supply can compromise the continuity of activities and services. The Multi Sentry series is available in 10-12-15-20 kVA models with three-phase/single-phase input and single-phase output, and 10-12-15-20 kVA models with three-phase input and output and on-line double conversion technology in accordance with VFI-SS-111 classification (as set out in standard IEC EN 62040-3). Multi Sentry is designed and built using state-of-the-art technology and components. It is controlled

by a DSP (Digital Signal Processor) microprocessor, to provide maximum protection to the powered loads with no impact on downstream systems, and optimised energy savings.

Zero impact source

Multi Sentry solves installation problems in systems where the power supply has limited power available, where the UPS is supported by a generator or where there are compatibility problems with loads that generate harmonic currents; Multi Sentry has a zero impact on its power source, whether this is the mains power supply or a generator:



- input current distortion < 3%
- input power factor 0,99
- power walk-in function that ensures progressive rectifier start up
- start-up delay function, to restart the rectifiers when mains power is restored if there are several UPS in the system.

In addition, Multi Sentry plays a filtering and power factor correction role in the power network upstream of the UPS, as it eliminates harmonic components and reactive power generated by the power utilities.

Installation flexibility

MSM /MST 10,12,15,20 is available in two different cabinet frames:

- 1320mm high housing: batteries to for back up time up to thirty minutes on 20 kVA or Isolation transformer;
- 930 mm high compact version which secure the UPS range features in an extremely reduced size;

The single phase output (MCM/MSM 10, 12, 15, 20 kVA) thanks to its highly flexible design allows full compatibility with both three-phase and single-phase power supplies, thus eliminating problems in connecting the UPS to the system.

Battery care system

Proper battery care is critical to ensuring correct UPS operation in emergency conditions. The Riello UPS battery care system consists of a series of features and capabilities to optimise battery management and obtain the best performance and operating life possible. Battery recharging: Multi Sentry is suitable for use with hermetically sealed lead-acid (VRLA), AGM and GEL batteries and Open Vent and Nickel Cadmium batteries. Depending on the battery type, different charging methods are available:

- One-level voltage recharge, typically used for widely available VRLA AGM batteries
- Two-level voltage recharge according to IU specification
- Charge blocking system to reduce electrolyte consumption and lengthen the life of VRLA batteries.

Recharge voltage compensation based on temperature in order to prevent excessive battery charges or overheating.

Battery tests to diagnose in advance any reduction in performance or problems with the batteries. Deep discharge protection: during extended low-load discharges, the end-of-discharge voltage is increased - as recommended by battery manufacturers - to prevent damage or reduced battery performance. Ripple current: recharge ripple current (residual AC component) is one of

the main causes of reduced reliability and battery life. Using a high frequency battery charger, Multi Sentry reduces this value to negligible levels, prolonging battery life and maintaining high performance over a long period of time. Wide voltage range: the rectifier is designed to operate within a wide input voltage range (up to - 40% at half load), reducing the need for battery discharge and thus helping to extend battery life.

Maximum reliability and availability

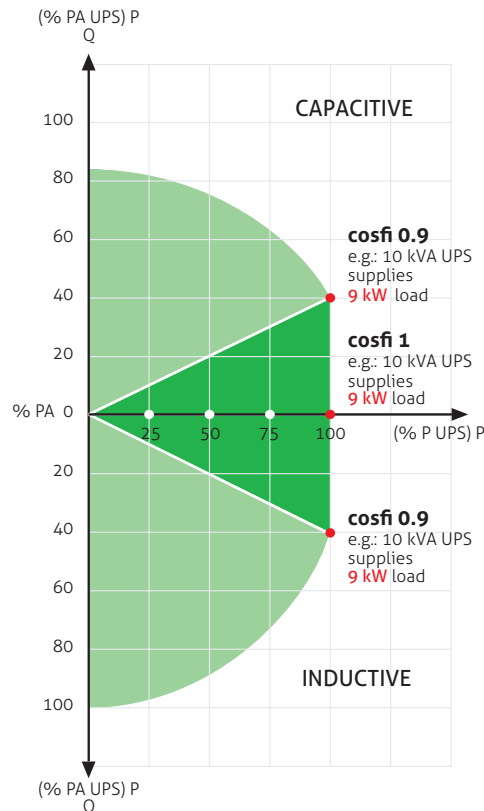
Distributed parallel configuration of up to 8 units per redundant (N+1) or power parallel system. The UPS continue to operate in parallel even if the connection cable is interrupted (Closed Loop).

Operation flexibility

The compact version of the Multi Sentry (MCM/MCT 10, 12, 15, 20 kVA) features embedded auxiliary outlets for intelligent utilities supply. The "energy share" outlet is driven by relays which are customizable



Multi Sentry Compact (MCM/MCT)

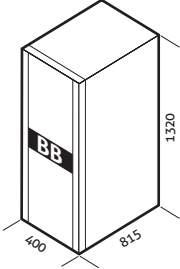
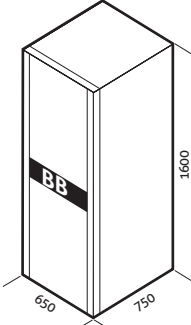
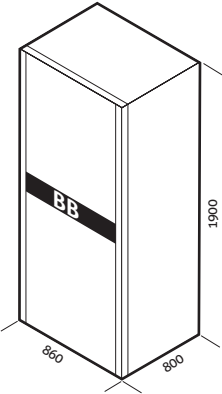


depending on the installation or customer needs, making it more suitable for protecting different critical load. On the MSM/MST Multi Sentry version the same functionality is available as optionally.

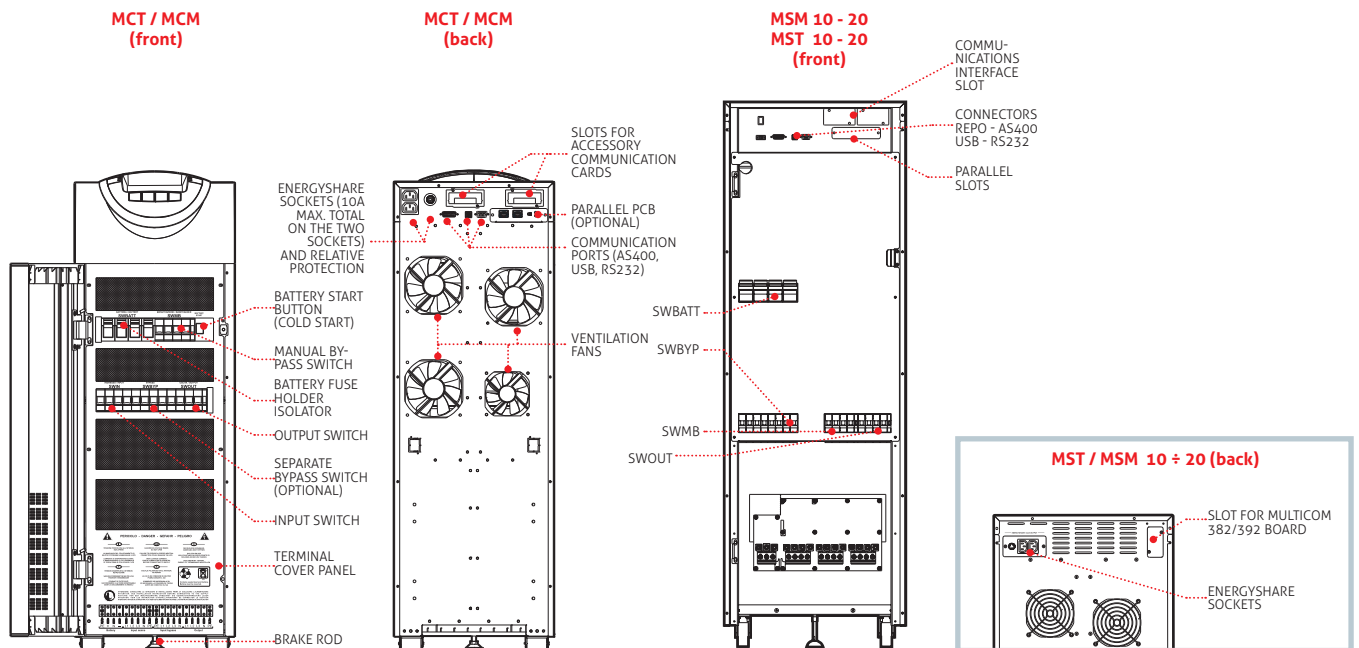
Advanced communications

Multi Sentry is equipped with a back-lit graphic display (240x128 pixels) providing UPS information, measurements, operating states and alarms in different languages. It can also display wave forms and voltage/current forms. A wide range of communications options are available to ensure global and comprehensive UPS monitoring. Please refer to option table for details.

BATTERY BOX

MODELS	BB 1320 480-T4 / BB 1320 480-T5 BB 1320 480-T2 / AB 1320 480-T5	BB 1600 480-S5 / AB 1600 480-S5	BB 1900 480-V6 / BB 1900 480-V7 BB 1900 480-V8 / BB 1900 480-V9 AB 1900 480-V9
UPS MODELS	MCM/MSM and MCT/MST 10÷20 kVA		
Dimensions (mm)			

DETAILS



OPTIONS

SOFTWARE

PowerShield³
PowerNetGuard

ACCESSORIES

NETMAN 204
MULTICOM 302
MULTICOM 352
MULTICOM 372
MULTICOM 382
MULTICOM 401

MULTI I/O

Interface kit AS400
MULTIPANEL
RTG 100
56K Modem
GSM Modem
MBB 100 A

PRODUCT ACCESSORIES

Battery temperature sensor
Powerful battery charger

Programmable relay board
MULTICOM 392

UPS with internal isolation
transformers (MST/MSM 10÷20)

UPS 220 V IN/OUT

IP rating IP31/IP42

Energyshare sockets

MODELS	MCM/MSM 10 ^{BAT}	MCM/MSM 12 ^{BAT}	MCM/MSM 15 ^{BAT}	MCM/MSM 20 ^{BAT}	MCT/MST 10 ^{BAT}	MCT/MST 12 ^{BAT}	MCT/MST 15 ^{BAT}	MCT/MST 20 ^{BAT}
INPUT								
Nominal voltage	380-400-415 Vac three-phase + N / 220-230-240 Vac single-phase + N				380-400-415 Vac three-phase + N			
Nominal frequency	50/60 Hz							
Frequency tolerance	40 - 72 Hz							
Power factor at full load	0,99							
Current distortion	THDI ≤ 3%							
BYPASS								
Nominal voltage	220-230-240 Vac single-phase + N				380-400-415 Vac three phase + N			
Number of phases	1				3 + N			
Voltage tolerance (Ph-N)	180 - 264 V (selectable)							
Nominal frequency	50 or 60 Hz (selectable)							
Frequency tolerance	±5 (selectable)							
Bypass overload	125% for 60 minutes, 150% for 10 minute							
OUTPUT								
Nominal power (kVA)	10	12	15	20	10	12	15	20
Active power (kW)	9	10,8	13,5	18	9	10,8	13,5	18
Power factor	0,9							
Number of phases	1				3 + N			
Nominal voltage (V)	220-230-240 Vac single-phase + N (selectable)				380-400-415 Vac three-phase + N (selectable)			
Static variation	± 1%							
Dynamic variation	± 3%							
Crest factor	3 : 1 I _{peak} /I _{rms}							
Voltage distortion	≤ 1% with linear load / ≤ 3% with non-linear load							
Frequency	50/60 Hz							
Frequency stability during battery operation	0,01%							
BATTERIES								
Type	VRLA AGM/GEL/NiCd/Li-ion/Supercaps							
Recharge time	6 hours							
INFO FOR INSTALLATION								
Weight without batteries (kg) (MCM/MSM)	80/105	82/110	90/115	95/120	80/105	82/110	90/115	95/120
Dimensions (WxDxH) (mm)	320 x 840 x 930 (MCM/MCT version) / 440 x 850 x 1320 (MSM/MST version)							
Communications	3 slots for communications interface / USB / RS232							
Operating temperature	0 °C / +40 °C							
Relative humidity	90% non-condensing							
Colour	Dark grey RAL 7016							
Noise level at 1 m [dBA ±2] Smart Active	< 40 dBA							
IP rating	IP20							
Smart Active efficiency	up to 98%				up to 99%			
Standards	European Directives: L V 2006/95/CE low voltage Directive EMC 2004/108/CE electromagnetic compatibility Directive Standards: Safety IEC EN 62040-1; EMC IEC EN 62040-2 C2 Classification in accordance with IEC 62040-3 (Voltage Frequency Independent) VFI - SS - 111							
Moving the UPS	castors / transpallet (10 - 20 kVA)							

^{BAT} Also available with internal batteries

Multi Sentry

30-200 kVA



DATACENTRE



E-MEDICAL



INDUSTRY



TRANSPORT



EMERGENCY



ONLINE



Tower



3:3 30-200 kVA



USB plug



SmartGrid ready



Supercaps UPS



Energy share



Service 1st start

HIGHLIGHTS

- Complete range 30-200 kVA
- Small footprint
- High efficiency up to 96,5%
- Zero impact source
- Flexibility of use
- Advanced communications

The Multi Sentry series is ideal for protecting data centres and telecommunications systems, IT networks and critical systems in general, where the risks connected with poor energy supply can compromise the continuity of activities and services.

The Multi Sentry series is available in 30-40-60-80-100-125-160-200 kVA models with three-phase input and output and on-line double conversion technology in accordance with VFI-SS-111 classification (as set out in standard IEC EN 62040-3).

Multi Sentry is designed and built using state-of-the-art technology and components. It has a fully controlled IGBT rectifier to

minimize the impact on the grid. It is controlled by a DSP (Digital Signal Processor) microprocessor, to provide maximum protection to the powered loads with no impact on downstream systems, and optimised energy savings.

Zero impact source

Multi Sentry solves installation problems in systems where the power supply has limited power available, where the UPS is supported by a generator or where there are compatibility problems with loads that generate harmonic currents; Multi Sentry has a zero impact on its power source, whether this is the mains power supply or a



generator:

- input current distortion < 2,5%
- input power factor 0,99
- power walk-in function that ensures progressive rectifier start up
- start-up delay function, to restart the rectifiers when mains power is restored if there are several UPS in the system.

In addition, Multi Sentry plays a filtering and power factor correction role in the power network upstream of the UPS, as it eliminates harmonic components and reactive power generated by the power utilities.

High efficiency

State-of-the-art three-level NPC inverters are used across the power range (30÷200) to achieve an operating efficiency of 96,5%. This technology halves (50%) the energy dissipated in a year by traditional UPS, with an efficiency level of 92%. Its exceptional performance makes it possible to recover the capital investment cost in less than three years of operation.

Battery care system

Proper battery care is critical to ensuring correct UPS operation in emergency conditions. The Riello UPS battery care system consists of a series of features and capabilities to optimise battery management and obtain the best performance and operating life possible.

Battery recharging: Multi Sentry is suitable for use with hermetically sealed lead-acid (VRLA), AGM and GEL batteries and Open Vent and Nickel Cadmium batteries.

Depending on the battery type, different charging methods are available:

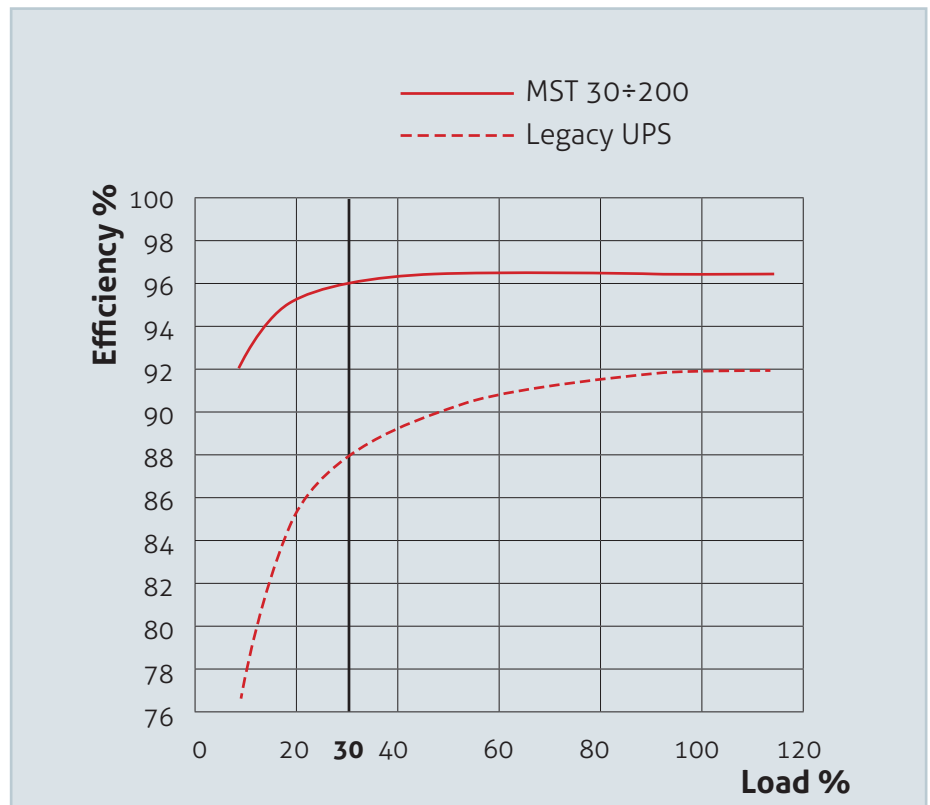
- One-level voltage recharge, typically used for widely available VRLA AGM batteries
- Two-level voltage recharge according to IU specification
- Charge blocking system to reduce electrolyte consumption and lengthen the life of VRLA batteries.

Recharge voltage compensation based on temperature in order to prevent excessive battery charges or overheating.

Battery tests to diagnose in advance any reduction in performance or problems with the batteries.

Deep discharge protection: during extended low-load discharges, the end-of-discharge voltage is increased - as recommended by battery manufacturers - to prevent damage or reduced battery performance.

Ripple current: recharge ripple current (residual AC component) is one of the main causes of reduced reliability and battery life. Using a high frequency battery charger,



Multi Sentry reduces this value to negligible levels, prolonging battery life and maintaining high performance over a long period of time.

Wide voltage range: the rectifier is designed to operate within a wide input voltage range (up to - 40% at half load), reducing the need for battery discharge and thus helping to extend battery life.

Maximum reliability and availability

Distributed parallel configuration of up to 6 units per redundant (N+1) or power parallel system. The UPS continue to operate in parallel even if the connection cable is interrupted (Closed Loop).

Low running costs

Advanced technology and use of high performance components, allows Multi Sentry to provide exceptional performance and efficiency, with a compact size:

- the smallest overall footprint is only 0,37 sqm for Multi Sentry 40 kVA with batteries
- the type of input stage (IGBT rectifier) ensures an input power factor close to 1 with low current distortion, avoiding the need for bulky and expensive filters
- unity output power factor for MST 160 – 200 make it suitable to any data centre application ensuring full power availability no matter what the utilities power factor range (typically from 0,9 lagging to 0,9 leading)



- more active power than a traditional UPS, guaranteeing a greater margin when sizing UPS for potential future load increases.
- smart ventilation principle on MST 160-200 manages the number of operating fans and their speed according to room temperature and load level. This preserves the life span of the fans and at the same time we reduce noise level and overall power consumption for unnecessary UPS ventilation.

Flexibility

With its flexible configuration, performance, accessories and options, Multi Sentry is suitable for use in a wide range of applications:

- suitable for powering capacitive loads, such as blade servers, without any



Multi Sentry MST 160-200

Advanced communications

Multi Sentry is equipped with a back-lit graphic display (240x128 pixels) providing UPS information, measurements, operating states and alarms in different languages. It can also display wave forms and voltage/ current forms.

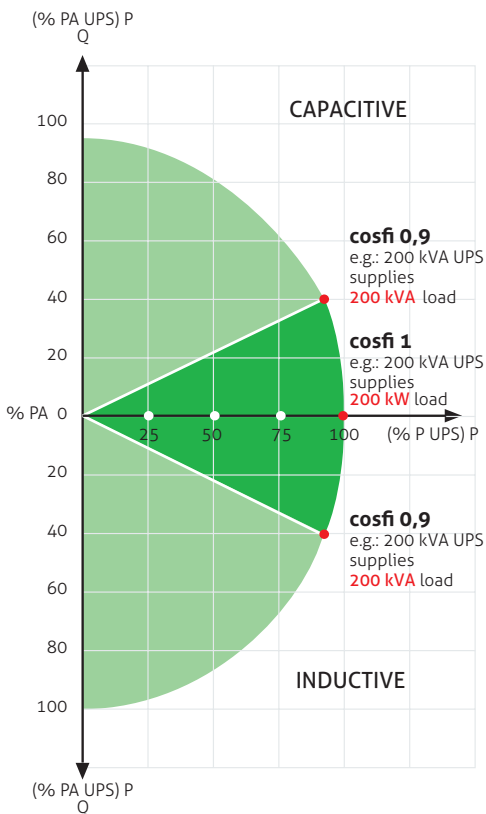
The default screen displays UPS status, graphically indicating the status of the various assemblies (rectifier, batteries, inverter, bypass).

- Advanced multi-platform communications for all operating systems and network environments: PowerShield³ monitoring and shutdown software included for Windows operating systems 8, 7, Hyper-V, 2012, 2008, and previous versions, Mac OS X, Linux, VMWare ESXi, Citrix XenServer and other Unix operating systems

- optional temperature sensor for external battery cabinets, to assist recharge voltage compensation
- high power battery chargers to optimise charge time in the event of long runtimes
- optional dual input mains power supply
- isolation transformers for modifying the neutral earthing (separate power sources), or for galvanic isolation between the input and output
- 220 V three-phase IN/OUT version and 50/60 Hz frequency for 10-40 kVA power ratings
- different sized battery cabinets and capacities, for extended runtimes
- with the MST 60-100 the UPS can be raised up to 25 cm from the ground to allow the cables to pass more freely to/ from the UPS terminal board
- MST 160-200 could be equipped with a side mounted top entry cabinet to arrange UPS cabling from the top.



MST 60-100 with Socle box (h: 1850 mm)



reduction in active power from 0,9 lead to 0,9 lag

- On-line, Eco, Smart Active and Stand By Off operating modes - compatible with centralised power systems (CSS) applications.
- frequency converter mode
- configurable EnergyShare sockets to preserve runtime for the most critical loads or to be activated only when mains power fails
- Cold Start to switch on the UPS even when there is no mains power present
- MST 30-40 version: cabinet (1320 x 440 x 850mm HxWxD) for optimised solutions when medium to long-term runtimes are required.



Multi Sentry MST 160-200 with top cable entry

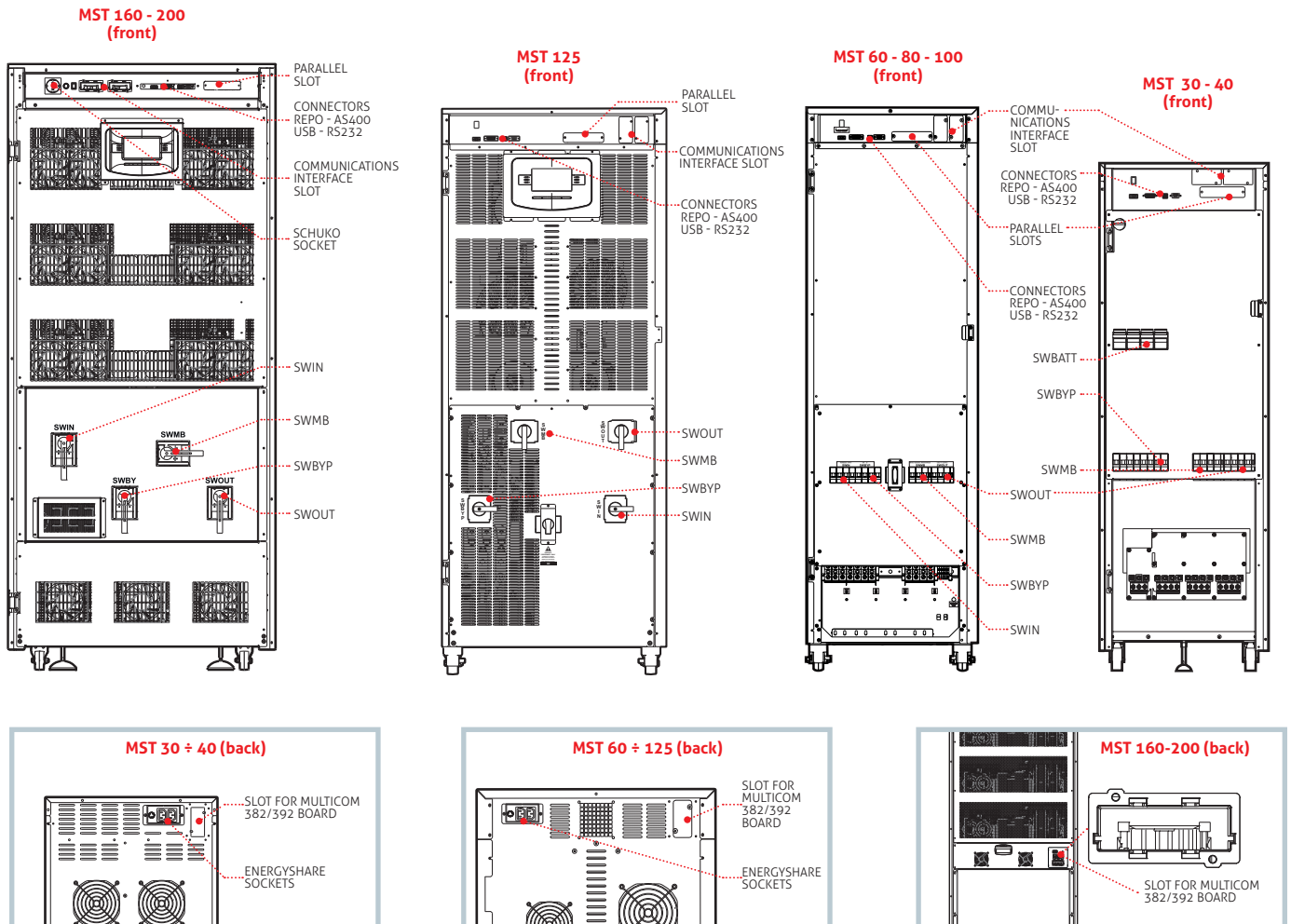
- Compatible with TeleNetGuard remote monitoring service
- RS232 serial and USB ports
- 3 slots for the installation of optional communications accessories such as network adapters, potential free contacts, etc.
- REPO Remote Emergency Power Off for switching off the UPS via a remote emergency button
- Input for the connection of the auxiliary contact of an external manual bypass
- Input for synchronisation from an external source
- Graphic display panel for remote connection.



BATTERY BOX

MODELS	BB 1320 480-T4 / BB 1320 480-T5 BB 1320 480-T2 / AB 1320 480-T5	BB 1600 480-S5 / AB 1600 480-S5	BB 1900 480-V6 / BB 1900 480-V7 BB 1900 480-V8 / BB 1900 480-V9 AB 1900 480-V9
UPS MODELS	up to 60 kVA	up to 80 kVA	up to 200 kVA
Dimensions WxDxH (mm)	400x815x1230 <i>BB 1320 480-T4 Not available for MST 40-60</i> <i>BB 1320 480-T2 Not available for MST 60</i>	605x750x1600	860x800x1900 <i>BB 1900 480-V6 / BB 1900 480-V7</i> <i>Not available for MST 160-200</i>

DETAILS



OPTIONS

SOFTWARE

PowerShield³
PowerNetGuard

ACCESSORIES

NETMAN 204
MULTICOM 302
MULTICOM 352
MULTICOM 372
MULTICOM 382
MULTICOM 401
MULTI I/O

Interface kit AS400

MULTIPANEL
RTG 100
56K Modem
GSM Modem
MBB 100 A

PRODUCT ACCESSORIES

Battery temperature sensor
Powerful battery charger
Programmable relay board
MULTICOM 392

UPS with internal isolation
transformers (30-40 kVA)

UPS 220 V IN/OUT
IP rating IP31/IP42
Socle Box for MST 60-100
Energyshare sockets
Top cable entry for MST 160-200
Eyebolts kit for MST 160-200

MODELS	MST 30 ^{BAT}	MST 40 ^{BAT}	MST 60	MST 80	MST 100	MST 125	MST 160	MST 200
INPUT								
Nominal voltage	380-400-415 Vac three-phase + N							
Nominal frequency	50/60 Hz							
Frequency tolerance	40 - 72 Hz							
Power factor at full load	0,99							
Current distortion	THDI ≤ 3%						THDI ≤ 2,5%	
BYPASS								
Nominal voltage	380-400-415 Vac three-phase + N							
Number of phases	3 + N							
Voltage tolerance (Ph-N)	180 - 264 V (selectable)							
Nominal frequency	50 or 60 Hz (selectable)							
Frequency tolerance	±5 (selectable)							
Bypass overload	125% for 60 minutes, 150% for 10 minute							
OUTPUT								
Nominal power (kVA)	30	40	60	80	100	125	160	200
Active power (kW)	27	36	54	72	90	112,5	160	200
Power factor	0,9						1	
Number of phases	3 + N							
Nominal voltage	380-400-415 Vac three-phase + N (selectable)							
Static variation	± 1%							
Dynamic variation	± 3%							
Crest factor	3 : 1 I _{peak} /I _{rms}							
Voltage distortion	≤ 1% with linear load / ≤ 3% with non-linear load							
Frequency	50/60 Hz							
Frequency stability during battery operation	0,01%							
BATTERIES								
Type	VRLA AGM/GEL/NiCd/Li-ion/Supercaps							
Recharge time	6 hours							
INFO FOR INSTALLATION								
Weight without batteries (kg) (MCT/MST)	135	145	190	200	220	250	450	460
Dimensions (WxDxH) (mm)	440 x 850 x 1320		500 x 850 x 1600			650 x 840 x 1600	850 x 1050 x 1900	
Communications	3 slots for communications interface / USB / RS232							
Operating temperature	0 °C / +40 °C							
Relative humidity	90% non-condensing							
Colour	Dark grey RAL 7016							
Noise level at 1 m [dBA±2] (Smart Active)	< 40 dBA		< 63 dBA				< 50 dBA	
IP rating	IP20							
Smart Active efficiency	up to 99%							
Standards	European Directives: L V 2006/95/CE low voltage Directive EMC 2004/108/CE electromagnetic compatibility Directive Standards: Safety IEC EN 62040-1; EMC IEC EN 62040-2 C2 Classification in accordance with IEC 62040-3 (Voltage Frequency Independent) VFI - SS - 111							
Moving the UPS	castors (30 - 200 kVA)							

^{BAT} Also available with internal batteries





Master MPS



DATACENTRE



E-MEDICAL



INDUSTRY



TRANSPORT



EMERGENCY



ONLINE



Tower



3:1 10-100 kVA

3:3 10-200 kVA



SmartGrid ready



Flywheel compatible



Supercaps UPS



Service 1st start



HIGHLIGHTS

- **Efficiency Control System (ECS)**
- **Robust and reliable**
- **Galvanic isolation**
- **High overload capacity**
- **Extensive parallel configurations**

Total protection

Master MPS series UPS provide maximum protection and power quality for mission critical loads, including data centres, industrial processes, telecommunications, security and electro-medical systems. Master MPS is an on-line double conversion UPS (VFI SS 111 - IEC EN 62040-3) with a transformer isolated inverter.

The Master MPS range includes three-phase input and single-phase output versions from 10 to 100 kVA, and three-phase input and

output versions from 10 to 800 kVA.

All versions are provided with a 6-pulse thyristor-based rectifier, with or without optional harmonic filters.

A 12-pulse thyristor-based rectifier is available on request for the 60 and 80 kVA versions with or without optional harmonic filters.

Easy source

Master MPS makes supplying the UPS from generator sets and MT/BT transformers



simpler and more efficient, reducing power loss in the system and coils, correcting the power factor and eliminating current harmonics created by the loads supplied by the UPS.

In addition to this, the progressive rectifier start-up (power walk-in) and the option to reduce battery charging currents, allow for a reduction in the input current uptake. This means less demand on the source, which is particularly useful when the source is a generator set.

Flexibility

Master MPS is suitable for a wide range of applications including IT and the most demanding industrial environments. The UPS is suitable for power capacitive loads such as blade servers, from 0,9 leading to 0,8 lagging. With a broad range of accessories and options, complex configurations and system architectures can be achieved to guarantee maximum power availability and the option to add new UPS without interruption to existing installation.

Battery care system: maximum battery care

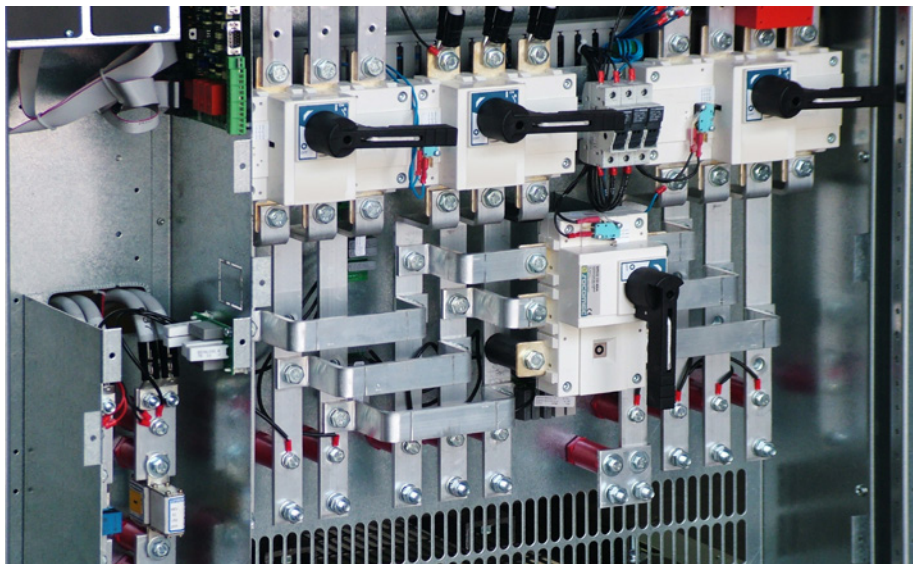
Normally the batteries are kept charged by the rectifier; when mains power fails, the UPS uses this energy source to power the consumers. Proper battery care is therefore critical to ensuring correct UPS operation under emergency conditions. The Riello UPS battery care system consists of a series of functions designed to optimise battery management and achieve the best performance and operating life possible. Master MPS is also compatible with different battery technologies: vented open lead acid, VRLA AGM, Gel, NiCd, Flywheels, Supercaps and Lithium.

Specific solutions

The UPS can be adapted to meet the most specific requirements. Contact our TEC team to discuss specific solutions and options not listed in this catalogue.

Advanced communications

- Compatible with TeleNetGuard for remote monitoring.
- Advanced multi-platform communications for all operating systems and network environments: PowerShield³ monitoring and shutdown software included for Windows operating systems 8, 7, Hyper-V, 2012, 2008, and previous versions, Mac OS X, Linux, VMWare ESXi, Citrix XenServer and other Unix operating systems.
- Compatible with TeleNetGuard remote monitoring service
- RS232 serial and USB ports



Detail of connection area

- 3 slots for the installation of optional communications accessories such as network adapters, potential free contacts, etc.
- REPO Remote Emergency Power Off for switching off the UPS via a remote emergency button
- Input for the connection of the auxiliary contact of an external manual bypass
- Input for synchronisation from an external source
- Graphic display panel for remote connection.

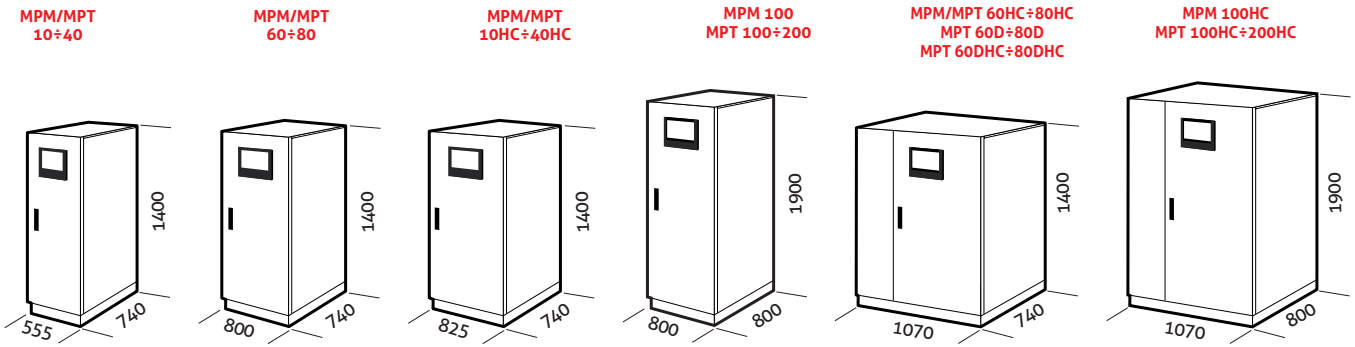
Maximum reliability and availability

- Distributed or centralised parallel configuration of up to 8 units per redundant (N+1) or power parallel system. Parallel configurations using models with different power ratings are also possible.
- Hot System Expansion (HSE): allows the addition of a further UPS into an existing system, without the need to switch off the existing UPS or transfer them to bypass mode. This guarantees maximum load protection, even during maintenance and system expansion.
- Maximum levels of availability, even in the event of an interruption to the parallel bus cable: the system is "FAULT TOLERANT". It is not affected by connection cable faults and continues powering the load without disruption, signalling an alarm condition.
- Efficiency Control System (ECS): a system to optimise the operating efficiency of parallel systems, according to the power required by the load. N +1 redundancy is guaranteed, with every UPS working in parallel at the best load level possible to achieve higher overall efficiency.

Options

- **UPS Group Synchroniser (UGS)**
Allows two or more non-parallel UPS devices to remain synchronised even during mains power failure. The UGS also enables a Riello UPS to be synchronised with another power source that is independent and of a different power rating.
- **Parallel Systems Joiner (PSJ)**
Allows two groups of UPS to be connected in parallel whilst operating, in the event of maintenance (with no interruption to the output), using a power coupling switch. Should one of the UPS in one of the parallel groups fail, it is automatically excluded. The PSJ connects the remaining UPS, to the other parallel group via an external bypass, in order to continue to guarantee load redundancy.

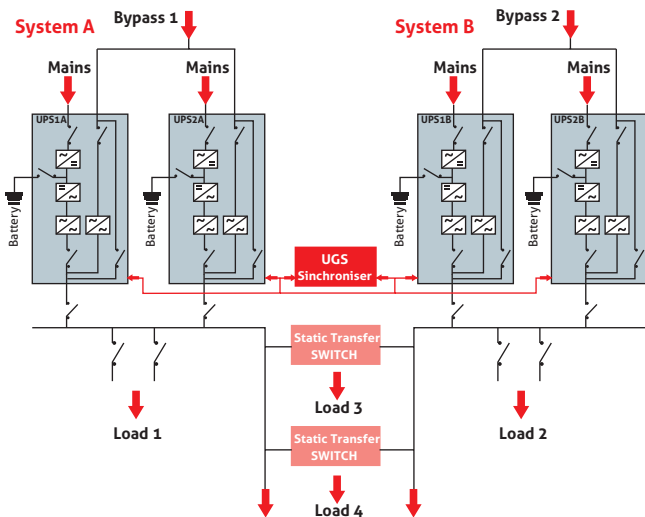
DIMENSIONS



HC= Version with filtering of 5th or 11th harmonics D= Twelve-phase version

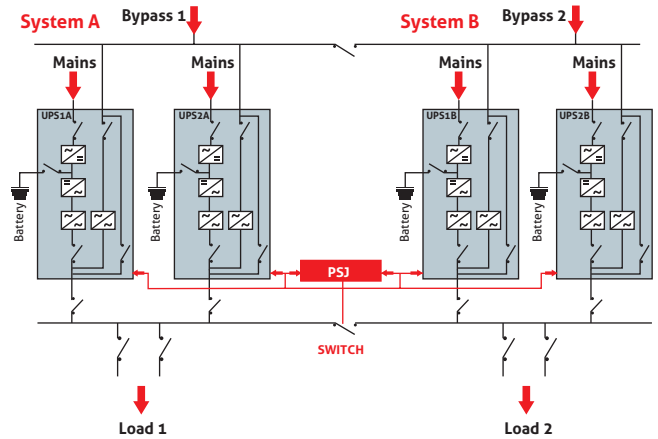
DYNAMIC DUAL BUS CONFIGURATION

Solution to ensure redundancy up to the distribution of the power supply to the loads and improved STS operation.
+ Downstream fault discrimination



DUAL BUS SYSTEM CONFIGURATION

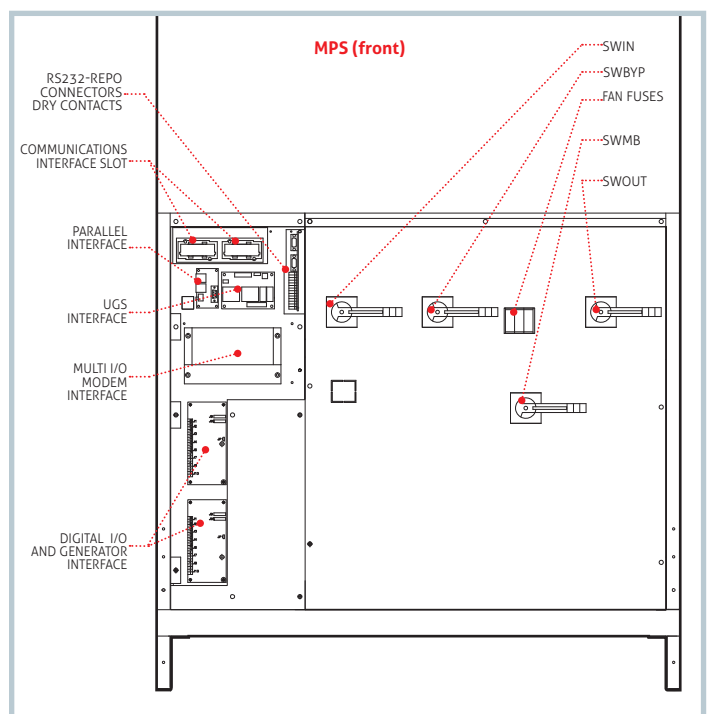
Solution to ensure redundancy of the power supply even during maintenance. **+ High availability and redundancy**



DETAILS



MPT 200 open



OPTIONS

SOFTWARE

PowerShield³
PowerNetGuard

ACCESSORIES

NETMAN 204
MULTICOM 302
MULTICOM 352
MULTICOM 401
MULTI I/O

Interface kit AS400

MULTIPANEL
RTG 100
GSM Modem
MBB 100 A

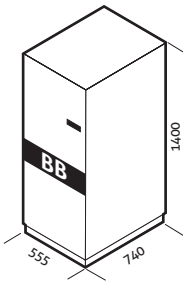
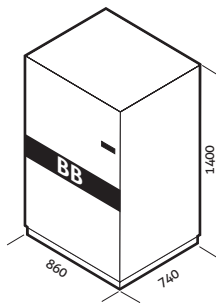
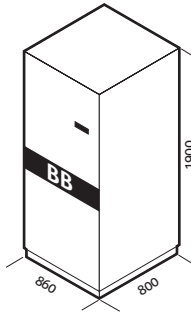
PRODUCT ACCESSORIES

Filtering of 5th and 11th harmonics (HC)
Isolation transformer
Synchronisation device (UGS)

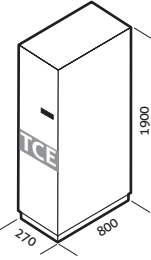
Hot connection device (PSJ)

Digital I/O and Generator interface
Parallel configuration kit (Closed Loop)
Battery cabinets empty or for extended runtimes
Top Cable Entry cabinets
IP rating IP31/IP42

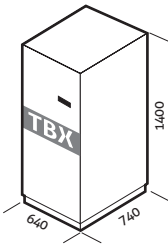
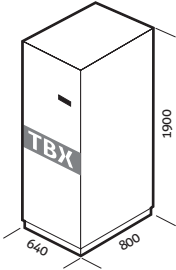
BATTERY BOX

MODELS	BB 1400 384-B1	BB 1400 384-B2 / BB 1400 384-B3 BB 1400 384-B4	BB 1900 396-L6 / BB 1900 396-L7 BB 1900 396-L8 / BB 1900 396-L9
UPS MODELS	MPT 10-60	MPT 10-80	MPT 100-200 / MPM 100
Dimensions (mm)			

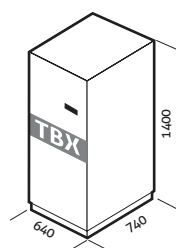
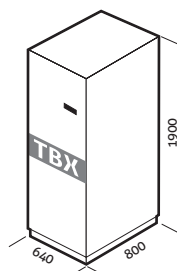
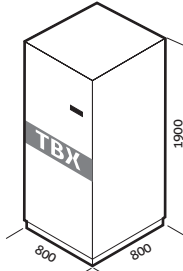
CABINETS WITH TOP ACCESS FOR CABLES

MODELS	TCE MPT 100-200
UPS MODELS	MPT 100-200 / MPM 100
Dimensions (mm)	

SINGLE-PHASE ISOLATION TRANSFORMERS

MODELS	TBX 10 M - TBX 80 M	TBX 100 M
UPS MODELS	MPM 10-80	MPM 100
Dimensions (mm)		

THREE-PHASE ISOLATION TRANSFORMERS

MODELS	TBX 10 T - TBX 80 T	TBX 100 T - TBX 160 T	TBX 200 T - TBX 250 T
UPS MODELS	MPT 10-80	MPT 100-160	MPT 200
Dimensions (mm)			

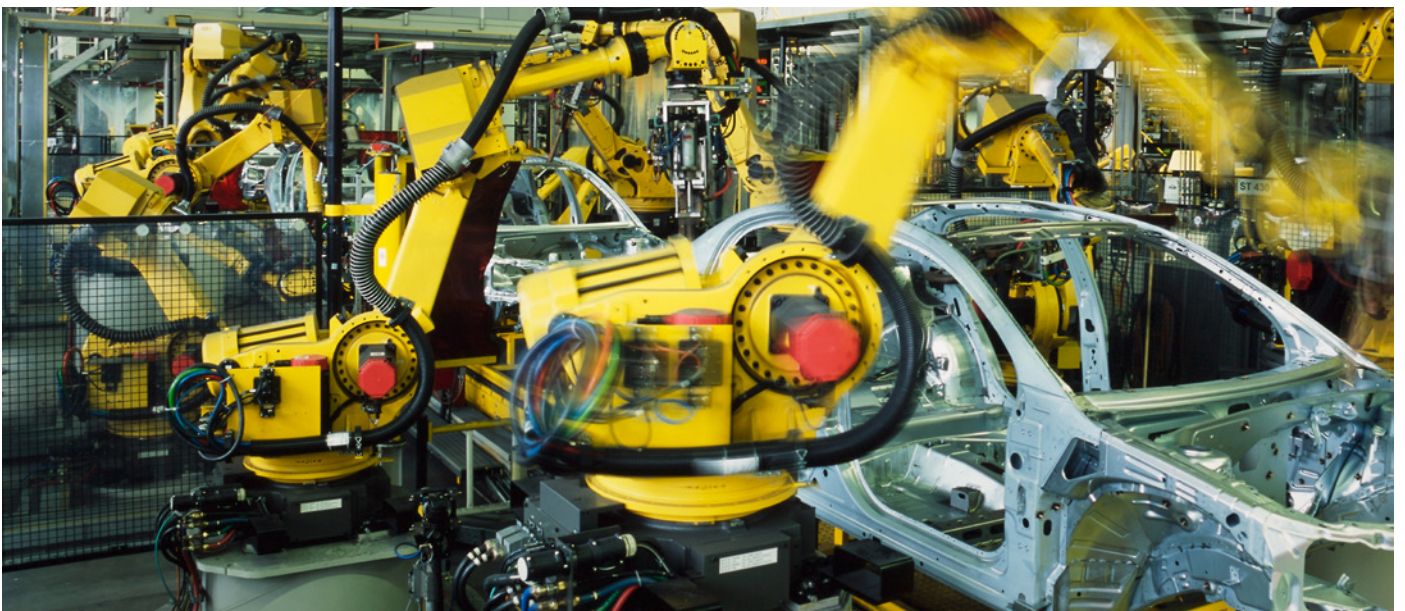
MODELS	MPM 10 ^{BAT}	MPM 15 ^{BAT}	MPM 20 ^{BAT}	MPM 30	MPM 40	MPM 60	MPM 80	MPM 100	
INPUT									
Nominal voltage	380 - 400 - 415 Vac three-phase								
Voltage tolerance	400 V + 20% /- 25%								
Frequency	45 - 65 Hz								
Soft start	0 - 100% in 120" (selectable)								
Permitted frequency tolerance	± 2% (selectable from ± 1% to ± 5% from front panel)								
Standard equipment provided	Back Feed protection; separable bypass line								
BYPASS									
Nominal voltage	220 - 230 - 240 Vac single-phase + N								
Nominal frequency	50 or 60 Hz (selectable)								
OUTPUT									
Nominal power (kVA)	10	15	20	30	40	60	80	100	
Active power (kW)	9	13,5	18	27	36	54	72	90	
Number of phases	1								
Nominal voltage	220 - 230 - 240 Vac single-phase + N (selectable)								
Static stability	± 1%								
Dynamic stability	± 5% in 10 ms								
Voltage distortion	< 1% with linear load / < 3% with non-linear load								
Crest factor	3:1 I _{peak} /I _{rms}								
Frequency stability on battery	0,05%								
Frequency	50 or 60 Hz (selectable)								
Overload	110% for 60'; 125% for 10'; 150% for 1'								
BATTERIES									
Type	VRLA AGM / GEL; NiCd; Supercaps; Li-ion; Flywheels								
Residual ripple voltage	< 1%								
Temperature compensation	-0,5 Vx°C								
Typical charge current	0,2 x C10								
INFO FOR INSTALLATION									
Weight without batteries (kg)	200	220	230	270	302	440	500	580	
Dimensions (WxDxH) (mm)	555 x 740 x 1400					800 x 740 x 1400		800 x 800 x 1900	
Remote signals	dry contacts								
Remote controls	ESD and bypass								
Communications	Double RS232 + dry contacts + 2 slots for communications interface								
Operating temperature	0 °C/ +40 °C								
Relative humidity	<95% non-condensing								
Colour	Dark grey RAL 7016								
Noise level at 1 m (ECO Mode)	60 dBA				62 dBA				
IP rating	IP20								
Smart Active efficiency	up to 98%								
Standards	Directives LV 2006/95/EC - 2004/108/EC; Safety IEC EN 62040-1; EMC IEC EN 62040-2; Performance IEC EN 62040-3								
Classification in accordance with IEC 62040-3	(Voltage Frequency Independent) VFI - SS - 111								
Moving the UPS	transpallet								

^{BAT} Also available with internal batteries

MODELS	MPT 10 ^{BAT}	MPT 15 ^{BAT}	MPT 20 ^{BAT}	MPT 30	MPT 40	MPT 60	MPT 80
INPUT							
Nominal voltage	380 - 400 - 415 Vac three-phase						
Voltage tolerance	400 V + 20% / - 25%						
Frequency	45 - 65 Hz						
Soft start	0 - 100% in 120" (selectable)						
Permitted frequency tolerance	± 2% (selectable from ± 1% to ± 5% from front panel)						
Standard equipment provided	Back Feed protection; separable bypass line						
BYPASS							
Nominal voltage	360-400-420 Vac three-phase + N						
Nominal frequency	50 or 60 Hz (selectable)						
OUTPUT							
Nominal power (kVA)	10	15	20	30	40	60	80
Active power (kW)	9	13,5	18	27	36	54	72
Number of phases	3 + N						
Nominal voltage	380 - 400 - 415 Vac three-phase + N (selectable)						
Static stability	± 1%						
Dynamic stability	± 5% in 10 ms						
Voltage distortion	< 1% with linear load / < 3% with non-linear load						
Crest factor	3:1 I _{peak} /I _{rms}						
Frequency stability on battery	0,05%						
Frequency	50 or 60 Hz (selectable)						
Overload	110% for 60'; 125% for 10'; 150% for 1'						
BATTERIES							
Type	VRLA AGM / GEL; NiCd; Supercaps; Li-ion; Flywheels						
Residual ripple voltage	< 1%						
Temperature compensation	-0,5 V/°C						
Typical charge current	0,2 x C10						
INFO FOR INSTALLATION							
Weight without batteries (kg)	228	241	256	315	335	460	540
Dimensions (WxDxH) (mm)	555 x 740 x 1400					800 x 740 x 1400	
Remote signals	dry contacts						
Remote controls	ESD and bypass						
Communications	Double RS232 + dry contacts + 2 slots for communications interface						
Operating temperature	0 °C / +40 °C						
Relative humidity	<95% non-condensing						
Colour	Dark grey RAL 7016						
Noise level at 1 m (ECO Mode)	60 dBA				62 dBA		
IP rating	IP20						
Smart Active efficiency	up to 98%						
Standards	Directives LV 2006/95/EC - 2004/108/EC; Safety IEC EN 62040-1; EMC IEC EN 62040-2; Performance IEC EN 62040-3						
Classification in accordance with IEC 62040-3	(Voltage Frequency Independent) VFI - SS - 111						
Moving the UPS	transpallet						

^{BAT} Also available with internal batteries

MODELS	MPT 100	MPT 120	MPT 160	MPT 200
INPUT				
Nominal voltage	380 - 400 - 415 Vac three-phase			
Voltage tolerance	400 V + 20% / - 25%			
Frequency	45 - 65 Hz			
Soft start	0 - 100% in 120" (selectable)			
Permitted frequency tolerance	± 2% (selectable from ± 1% to ± 5% from front panel)			
Standard equipment provided	Back Feed protection; separable bypass line			
BYPASS				
Nominal voltage	360-400-420 Vac three-phase + N			
Nominal frequency	50 or 60 Hz (selectable)			
OUTPUT				
Nominal power (kVA)	100	120	160	200
Active power (kW)	90	108	144	180
Number of phases	3 + N			
Nominal voltage	380 - 400 - 415 Vac three-phase + N (selectable)			
Static stability	± 1%			
Dynamic stability	± 5% in 10 ms			
Voltage distortion	< 1% with linear load / < 3% with non-linear load			
Crest factor	3:1 I _{peak} /I _{rms}			
Frequency stability on battery	0,05%			
Frequency	50 or 60 Hz (selectable)			
Overload	110% for 60'; 125% for 10'; 150% for 1'			
BATTERIES				
Type	VRLA AGM / GEL; NiCd; Supercaps; Li-ion; Flywheels			
Residual ripple voltage	< 1%			
Temperature compensation	-0,5 V/°C			
Typical charge current	0,2 x C10			
INFO FOR INSTALLATION				
Weight (kg)	600	610	690	790
Dimensions (WxDxH) (mm)	800 x 800 x 1900			
Remote signals	dry contacts			
Remote controls	ESD and bypass			
Communications	Double RS232 + dry contacts + 2 slots for communications interface			
Operating temperature	0 °C / +40 °C			
Relative humidity	<95% non-condensing			
Colour	Dark grey RAL 7016			
Noise level at 1 m (ECO Mode)	65 dBA			68 dBA
IP rating	IP20			
Smart Active efficiency	up to 98%			
Standards	Directives LV 2006/95/EC - 2004/108/EC; Safety IEC EN 62040-1; EMC IEC EN 62040-2; Performance IEC EN 62040-3			
Classification in accordance with IEC 62040-3	(Voltage Frequency Independent) VFI - SS - 111			
Moving the UPS	transpallet			



Master HP



DATACENTRE



E-MEDICAL



INDUSTRY



TRANSPORT



EMERGENCY



ONLINE



Tower



3:3 100-600 kVA



SmartGrid ready



Flywheel compatible



Supercaps UPS



Service 1st start



HIGHLIGHTS

- **IGBT-based rectifier technology**
- **Compact and reliable**
- **Galvanic isolation**
- **High overload capacity**
- **LCD graphic display**

The Master HP series from 100 to 600 kVA is the Riello UPS solution for installations requiring high energy efficiency and maximum power availability. Master HP Series provides maximum protection and power quality for data centres and industrial loads. The UPS has an IGBT-based rectifier, DSP (Digital Signal Processors) technology and provides true On-line, double conversion power protection, (VFI SS 11 - Voltage and Frequency Independent in accordance with IEC EN 62040-3).

Maximised cost savings

The Master HP has the ability to monitor the mains input quality and to select the best operating mode based on the interference present (Smart Active mode) or circular redundancy (Parallel Energy Saving mode, which allows the UPS to regulate available capacity based on the immediate demands of the load, automatically switching to standby in the event of excess capacity), the Master HP also offers high levels of efficiency for partial loads, resulting in reduced operating costs.



Power continuity

For years, Riello UPS has developed and supplied solutions for dealing with the different requirements and problems that inevitably arise in critical applications. Riello UPS offers flexible, high-availability solutions that are able to adapt to different system structures and critical levels. Riello UPS creates UPS systems that can tolerate a number of component or subsystem failures, while continuing to operate normally, providing power without interruption. This is achieved by careful design, installing redundant elements, eliminating common failure points, scheduling maintenance activities and controlling and supervising the system operating parameters and environment. The TEC service team is ready to provide guidance and advice on projects.

Main features

- High efficiency (up to 98,5%)
- Compact size: e.g.: only 0,85 m² for the Master HP 250 kVA
- Reduced weight
- Double load protection, both electronic and galvanic, towards the battery.

The entire Master HP range is suitable for use in a wide range of applications. Thanks to the flexibility of configuration, available options and accessories, it is suitable for supplying any type of load, e.g. capacitive loads such as blade servers etc. Power supply reliability and availability are ensured for critical applications by distributed or centralised parallel configurations of up to 8 units, for redundant (N+1) or power parallel configurations and all the different configurations offered by the Master MPS range.

Zero impact source

Master HP has a zero impact on connected power sources - grid networks or generators:

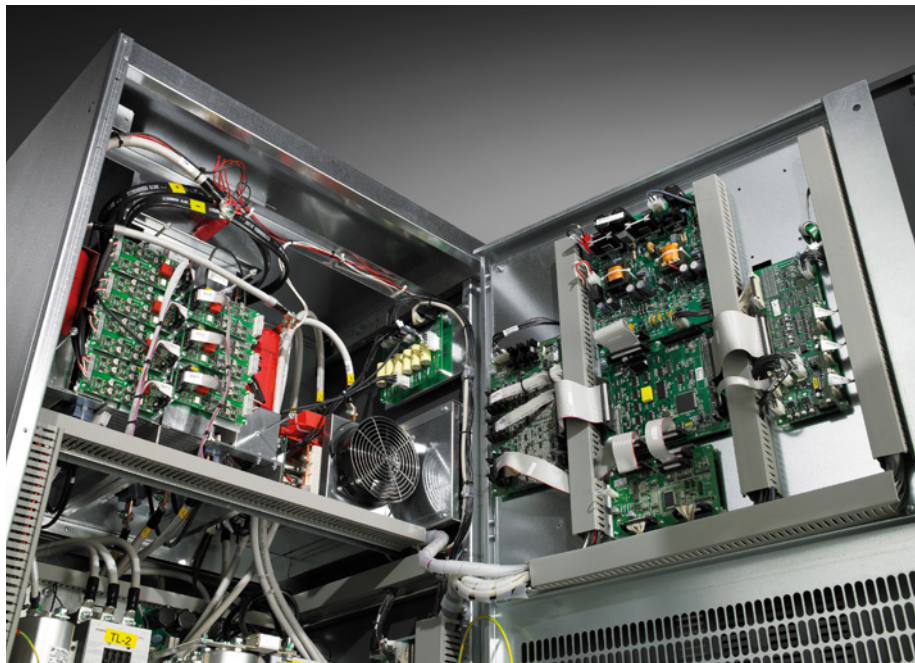
- ≤ 3% input current distortion
- Input power factor 0,99
- power walk-in function - to ensure a progressive rectifier start-up
- start-up delay function - to restart the rectifier when the mains power supply is restored.

Battery care system

Master HP series UPS include a range of features designed to prolong battery life and reduce their usage.

Output isolation transformer

- Better load protection from DC/Battery problems
- The UPS can be supplied from 2 independent lines
- Fault on DC bus will not affect the by-pass availability



- High Short circuit current
- Higher immunity to harmonics or energy backfeed generated by the load.

Advanced supervision

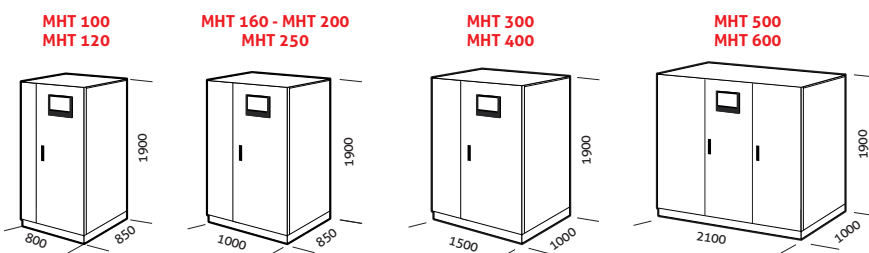
Master HP series UPS have a front panel mounted graphic display providing UPS information, measurements, status updates and alarms in different languages, with wave form displays including voltage/current and providing a kWh reading that can be used to measure IT loads and calculate a datacentre PUE (power usage effectiveness) ratio.

Smart Grid Ready

Being smart grid ready, Master HP allows for the implementation of power accumulation solutions, and at the same time ensures extremely high levels of efficiency. It is also able to independently select the most efficient operating method based on the status of the grid. Master HP UPS are also able to electronically interface with the energy manager using the smart grid communication network.



DIMENSIONS



OPTIONS

SOFTWARE

PowerShield³
PowerNetGuard

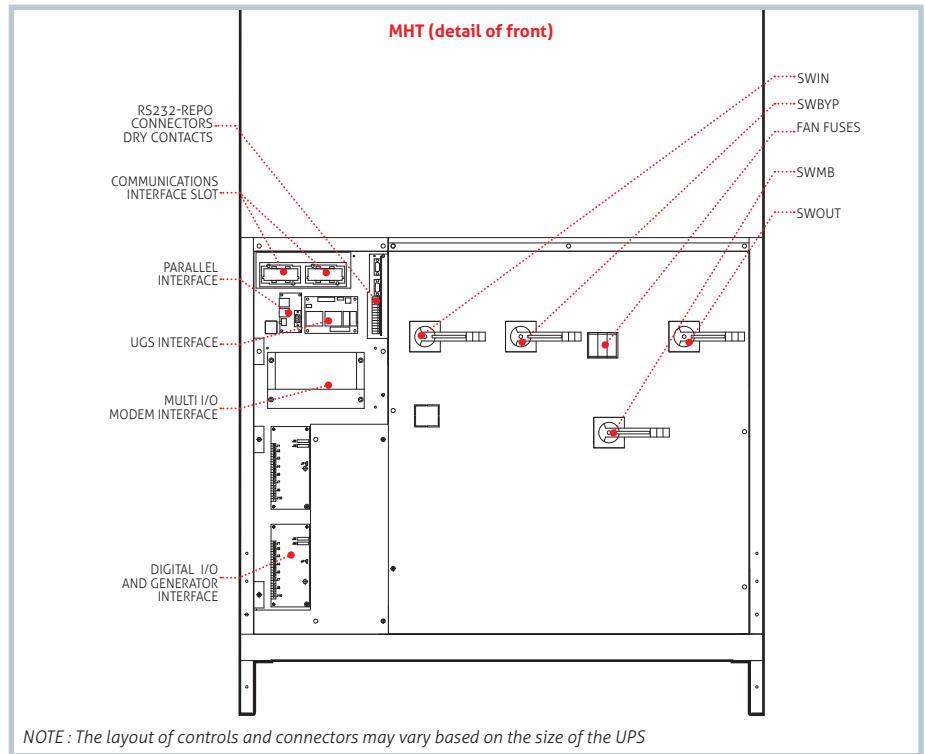
ACCESSORIES

NETMAN 204
MULTICOM 302
MULTICOM 352
MULTICOM 401
MULTI I/O
Interface kit AS400
MULTIPANEL
RTG 100
56K Modem
GSM Modem

PRODUCT ACCESSORIES

Isolation transformer
Synchronisation device (UGS):
see Master MPS on page 82
Hot connection device (PSJ): *see Master MPS on page 82*
Digital I/O and Generator interface
Parallel configuration kit (Closed Loop)
Battery cabinets empty or for extended runtimes
Top Cable Entry cabinets
IP rating IP31/IP42

DETAILS



BATTERY BOX

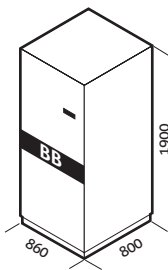
MODELS

BB 1900 480-V6 / BB 1900 480-V7
BB 1900 480-V8 / BB 1900 480-V9

UPS MODELS

MHT 100-600

Dimensions
(mm)



CABINETS WITH TOP ACCESS FOR CABLES

MODELS

TCE MHT 100-250

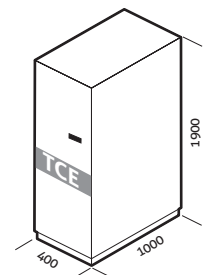
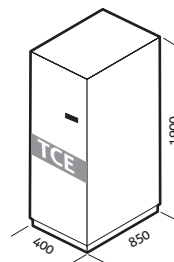
TCE MHT 300-600

UPS MODELS

MHT 100-250

MHT 300-600

Dimensions
(mm)



THREE-PHASE ISOLATION TRANSFORMERS

MODELS

TBX 100 T - TBX 160 T

TBX 200 T - TBX 250 T

TBX 300 T - TBX 600 T

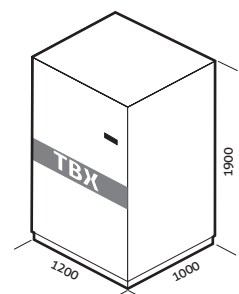
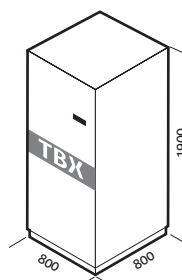
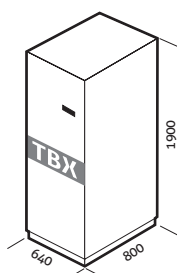
UPS MODELS

MPT 100-160 / MHT 100-160

MPT 200 / MHT 200-250

MHT 300-600

Dimensions
(mm)



MODELS	MHT 100	MHT 120	MHT 160	MHT 200	MHT 250	MHT 300	MHT 400	MHT 500	MHT 600
INPUT									
Nominal voltage	380 - 400 - 415 Vac three-phase								
Frequency	45 - 65 Hz								
Power factor	> 0,99								
Harmonic current distortion	<3% THDi								
Soft start	0 - 100% in 120" (selectable)								
Frequency tolerance	± 2% (selectable from ± 1% to ± 5% from front panel)								
Standard equipment provided	Back Feed protection; separable bypass line								
BYPASS									
Nominal voltage	360-400-420 Vac three-phase + N								
Nominal frequency	50 or 60 Hz (selectable)								
OUTPUT									
Nominal power (kVA)	100	120	160	200	250	300	400	500	600
Active power (kW)	90	108	144	180	225	270	360	450	540
Number of phases	3 + N								
Nominal voltage	380 - 400 - 415 Vac three-phase + N (selectable)								
Static stability	± 1%								
Dynamic stability	± 5% in 10 ms								
Voltage distortion	< 1% with linear load / < 3% with non-linear load								
Crest factor	3:1 I _{peak} /I _{rms}								
Frequency stability on battery	0,05%								
Frequency	50 or 60 Hz (selectable)								
Overload	110% for 60'; 125% for 10'; 150% for 1'								
BATTERIES									
Type	VRLA AGM / GEL; NiCd; Supercaps; Li-ion; Flywheels								
Ripple current	Zero								
Recharge voltage compensation	-0,5 Vx°C								
INFO FOR INSTALLATION									
Weight (kg)	656	700	800	910	1000	1400	1700	2100	2400
Dimensions (WxDxH) (mm)	800 x 850 x 1900		1000 x 850 x 1900			1500 x 1000 x 1900		2100 x 1000 x 1900	
Remote signals	dry contacts (configurable)								
Remote controls	ESD and bypass (configurable)								
Communications	Double RS232 + dry contacts + 2 slots for communications interface								
Operating temperature	0 °C / +40 °C								
Relative humidity	<90% non-condensing								
Colour	Dark grey RAL 7016								
Noise level at 1 m	63 - 68 dBA					70 - 72 dBA			
IP rating	IP20 (others on request)								
Smart Active efficiency	up to 98,5%								
Standards	Safety: EN 62040-1-1 (Directive 2006/95/EC); EMC: EN 62040-2 (Directive 2004/108/EC)								
Classification in accordance with IEC 62040-3	(Voltage Frequency Independent) VFI - SS - 111								
Moving the UPS	transpallet								

Master HE



DATACENTRE



E-MEDICAL



INDUSTRY



TRANSPORT



EMERGENCY



ONLINE



Tower



3:3 100-800 kVA



SmartGrid ready



Flywheel compatible



Supercaps UPS



Service 1st start

HIGHLIGHTS

- **High efficiency**
up to 95,5% in on-line mode
- **kW = kVA (pf 1)**
10-40 °C no downgrading
- **Rectifier IGBT based technology**
- **Galvanic isolation**
- **High overload capacity**
- **LCD Display**

HE - High Efficiency

Master HE series is available from 100 to 800 kVA. The UPS features a new on-line double-conversion technology utilising IGBT and DSP (Digital Signal Processor) control to provide maximum protection, power quality and green energy for any type of application including datacentres, disaster recover sites, telecoms rooms, industrial processes and security applications. High efficiency stands for higher active power available if compared with legacy UPS thanks to output unitary power factor (up to +25% if compared unity with same UPS at p.f. 0,8). Nominal power is granted with no downgrading independently from operating

temperature in the range 10+40°C. Furthermore, control circuits and specifically designed firmware grant outstanding online double conversion efficiency up to 95,5%, comparable with the best transformeless UPS available on the market.

Maximised cost savings

The build specifications offered by the Master HE range and the exceptional level of efficiency help to absorb the TCO, from the installation stage to daily operation, reducing power costs for the UPS, air conditioning system and installation area costs thanks to its reduced size and weight.



Complete galvanic separation

Master HE UPS feature an output isolation transformer (delta zig/zag type) on the inverter as part of the inverter circuit inside the UPS cabinet, providing galvanic isolation between the load and the battery with improved versatility in system configuration, allowing:

- Complete UPS output galvanic isolation for critical infrastructures from the battery DC power source;
- two truly separated supply inputs (main and bypass), which can be taken from two different power sources (with different neutrals); this is particularly well suited to parallel systems in order to ensure selectivity between the two sources, thus improving the reliability of the entire installation;
- No neutral input connection is required at the UPS rectifier input stage; this method is particularly favourable in order to prevent the transmission of common neutral disturbances via the neutral conductor;
- No effects to the UPS output performance or reduced impact of the inverter power components whilst supplying specific loads; in addition the inverter transformer minimizes the impact of third harmonic disturbances, prevents the effects of energy back-feed into the inverter when supplying industrial load applications and can supply unbalanced loads.
- High inverter short circuit current to clear faults which occur between phase and neutral on load side (up to three times nominal current).

Output transformer housed within the cabinet which allows for a significant reduction in the footprint and provides space savings.

Zero impact source

The Master HE series features the added advantages of the Zero Impact Source formula offered by an IGBT-based rectifier assembly. This eliminates problems connected with installation in networks with limited power capacity, where the UPS is supplied by a generator set or anywhere there are compatibility problems with loads that generate current harmonics. Master HE series UPS have zero impact on the power supply source, whether it is a mains grid or generator set:

- input current distortion < 3%
- input power factor 0,99
- power walk-in function that ensures progressive rectifier start up
- start-up delay function, to restart the rectifiers when mains power is restored if there are several UPS in the system.

This provides savings in installation costs via:

- a smaller electrical infrastructure.
- smaller circuit protection devices
- less wiring.

Master HE also performs the role of a filter and power factor corrector, protecting the upstream power supply from any harmonics and reactive power generated by the critical load.

Flexibility

Master HE is suitable for a wide range of applications including IT and the most demanding industrial environments and processes. With several operational configurations including On-Line, Eco, Smart Active, Stand By, Frequency Converter and Voltage Stabiliser. A broad range of accessories and options, complex configurations and system architectures can be achieved to guarantee maximum power availability and the option to add new UPS without interruption to existing users. Using the Riello UPS Group Synchroniser (UGS) and Parallel Systems Joiner (PSJ), sophisticated inter group parallel and redundant systems can be achieved to provide the highest possible levels of resilience and availability.

Specific solutions

The UPS can be adapted to meet your requirements. Contact our TEC team to discuss specific solutions and options not listed in this catalogue.

Battery care system: maximum battery care

Master HE series UPS include a range of features designed to prolong battery life and reduce their usage such as different recharging methods, deep discharge protection, current limitation and voltage compensation according with battery room temperature.

Thanks to the STEP-UP/STEP-DOWN converter, that provides to recharge and discharge the battery, the current ripple

in the battery is extremely reduced; this arrangement enhance the battery reliability since it is no longer connected to UPS DC bus.

Main features

- High efficiency up to 99,4% (stand by on mode)
- Compact size: e.g.: only 0,85 m² for the Master HE 250 kVA
- Reduced weight for transformer based UPS
- Double load protection, both electronic and galvanic, towards the battery.

The entire Master HE range is suitable for use in a wide range of applications. Thanks to the flexibility of configuration, available options and accessories, it is suitable for supplying any type of load, e.g. capacitive loads such as blade servers, rather than motor drivers or any other critical vertical application.

Power supply reliability and availability are ensured for critical applications by distributed or centralised parallel configurations of up to 8 units, for redundant (N+1) or power parallel configurations and all the different configurations offered by the Master MPS range.

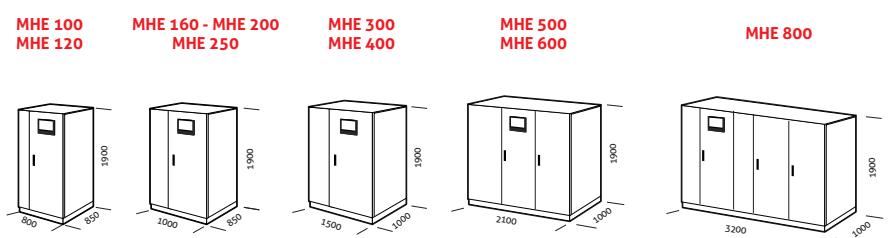
Smart Grid Ready

Being smart grid ready, Master HP allows for the implementation of power accumulation solutions, and at the same time ensures extremely high levels of efficiency. It is also able to independently select the most efficient operating method based on the status of the grid. Master HE UPS are also able to electronically interface with the energy manager using the smart grid communication network.

Advanced supervision

Master HE series UPS have a front panel graphic display providing UPS information, measurements, status updates and alarms in different languages, with wave form displays including voltage/current and provide a kWh reading that can be used to measure IT loads and calculate a datacentre PUE (power usage effectiveness) ratio.

DIMENSIONS



OPTIONS

SOFTWARE

PowerShield³
PowerNetGuard

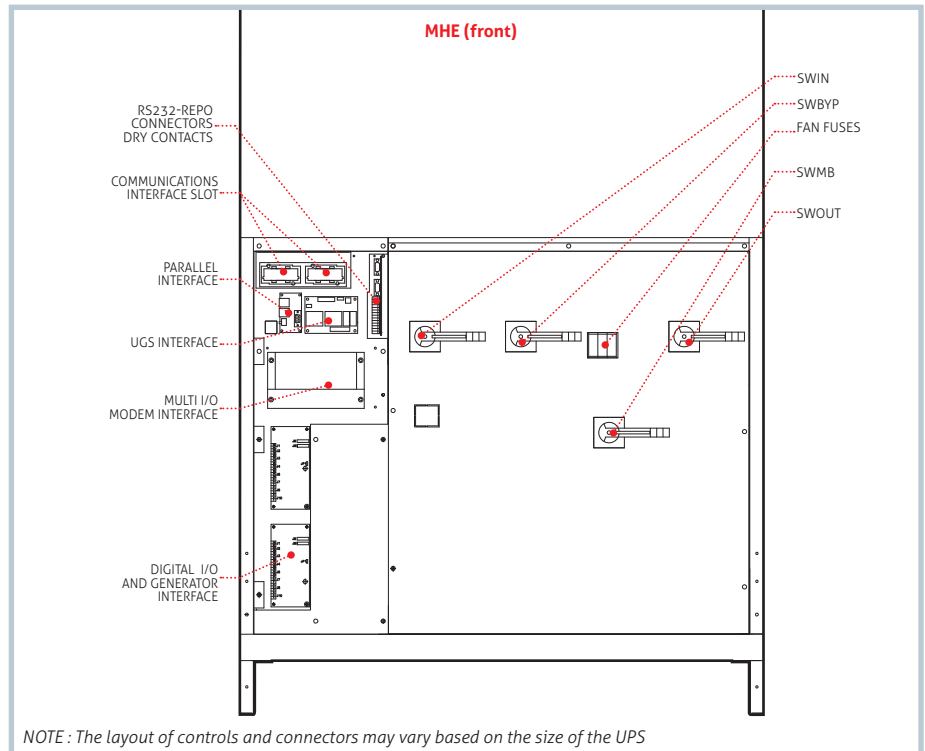
ACCESSORIES

NETMAN 204
MULTICOM 302
MULTICOM 352
MULTICOM 401
MULTI I/O
Interface kit AS400
MULTIPANEL
RTG 100
56K Modem
GSM Modem

PRODUCT ACCESSORIES

Isolation transformer
Synchronisation device (UGS):
see Master MPS on page 82
Hot connection device (PSI): *see Master MPS on page 82*
Digital I/O and Generator interface
Parallel configuration kit (Closed Loop)
Battery cabinets empty or for extended runtimes
Top Cable Entry cabinets
IP rating IP31/IP42

DETAILS



BATTERY BOX

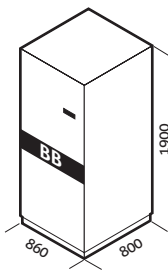
MODELS

BB 1900 480-V6 / BB 1900 480-V7
BB 1900 480-V8 / BB 1900 480-V9

UPS MODELS

MHE 100-800

Dimensions
(mm)



CABINETS WITH TOP ACCESS FOR CABLES

MODELS

TCE MHT 100-250

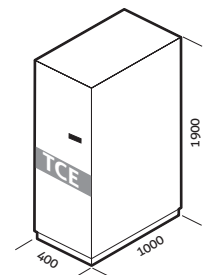
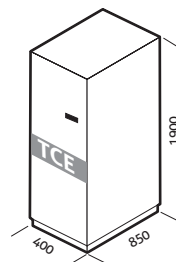
TCE MHT 300-600

UPS MODELS

MHE 100-250

MHE 300-600

Dimensions
(mm)



THREE-PHASE ISOLATION TRANSFORMERS

MODELS

TBX 100 T - TBX 160 T

TBX 200 T - TBX 250 T

TBX 300 T - TBX 600 T

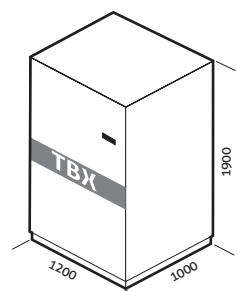
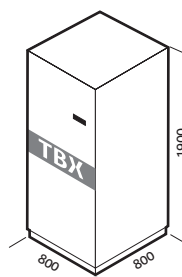
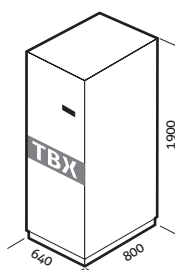
UPS MODELS

MPT 100-160 / MHE 100-160

MPT 200 / MHE 200-250

MHE 300-600

Dimensions
(mm)



MODELS	MHE 100	MHE 120	MHE 160	MHE 200	MHE 250	MHE 300	MHE 400	MHE 500	MHE 600	MHE 800
INPUT										
Nominal voltage	380 - 400 - 415 Vac 3-phase									
Frequency	45 ÷ 65 Hz									
Power factor	> 0,99									
Harmonic current distortion	<3% THDi									
Soft start	0 ÷ 100% in 120" (selectable)									
Frequency tolerance	± 2% (selectable from ± 1% to ± 5% from front panel)									
Standard equipment	Back Feed protection; separable bypass line									
BYPASS										
Nominal voltage	360-400-420 Vac 3-phase + N									
Frequency	50 or 60 Hz selectable									
OUTPUT										
Nominal power (kVA)	100	120	160	200	250	300	400	500	600	800
Active power (kW)	100	120	160	200	250	300	400	500	600	800
Number of phases	3 + N									
Nominal voltage	380 - 400 - 415 Vac 3-phase + N (selectable)									
Static stability	± 1%									
Dynamic stability	± 5% in 10 ms									
Voltage distortion	< 1% with linear load / < 3% with non-linear load									
Crest factor (I _{peak} /I _{rms})	3:1									
Frequency stability on battery	0,05%									
Frequency	50 or 60 Hz (selectable)									
Overload	110% for 60'; 125% for 10'; 150% for 1'									
BATTERIES										
Type	VRLA AGM / GEL; NiCd; Supercaps; Li-ion; Flywheels									
Ripple current	Zero									
Charge voltage compensation	-0,5 Vx°C									
INFO FOR INSTALLATION										
Weight (kg)	730	785	865	990	1090	1520	1670	2500	2830	3950
Dimensions (WxDxH) (mm)	800 x 850 x 1900		1000 x 850 x 1900			1500 x 1000 x 1900		2100 x 1000 x 1900		3200 x 1000 x 1900
Remote signals	volt-free contacts (configurable)									
Remote controls	ESD and bypass (configurable)									
Communication	Double RS232 + remote contacts + 2 slots for communications interface									
Ambient temperature	0 °C / +40 °C									
Relative humidity	< 90% non-condensing									
Colour	Dark grey RAL 7016									
Noise level (@ 1 m)	63 ÷ 68 dBA					70 ÷ 72 dBA				
Protection level	IP20 (others upon request)									
Smart Active Efficiency	> 99%									
Double Conversion Efficiency	up to 95,5%									
Regulations	Safety: EN 62040-1 (directive 2006/95/EC); EMC: EN 62040-2 (directive 2004/108/EC)									
Classification according to IEC 62040-3	(Voltage Frequency Independent) VFI - SS - 111									

Master HP UL



DATACENTRE



E-MEDICAL



INDUSTRY



TRANSPORT



EMERGENCY



ONLINE



Tower



3:3 65-250 kVA



Service
1st start



UL certified



SmartGrid
ready



Flywheel
compatible



Supercaps
UPS



HIGHLIGHTS

- **High efficiency**
- **IGBT-based rectifier technology**
- **Compact and reliable**
- **Galvanic isolation**
- **High overload capacity**
- **North American voltage (480 Vac)**

The incredible levels of quality, reliability and energy savings offered by the Master HP range of UPS have been extended to include a 480 Vac - 60 Hz version, certified as UL, with power ratings from 65 to 250 kVA. IT department managers, facility managers and CTOs are under increasing pressure to achieve zero downtime and to size data centre or industrial installations to be flexible in the face of continuous changes and expansion. As the search for the most reliable and efficient power supply system becomes ever-increasingly critical, Riello UPS has been continuously investing in power solutions to meet the demands of a range of our clients; a commitment that resulted in the Master HP UL range.

More than just an innovative and technologically-advanced UPS, it is a leap into the future of three-phase technology.

Thanks to its double conversion on-line technology based entirely on IGBT and digital signal processors (DSP), the Master HP UL range ensures maximum power supply protection and quality for any type of load, IT or industrial, in particular for mission critical applications, with VFI SS 111 classification (Voltage and Frequency Independent) in accordance with IEC EN 62040-3. This range was designed using a new configuration that includes an IGBT sinusoidal input rectifier instead of the conventional thyristor system.



Differently from other UPS technologies available on the market, double conversion technology with galvanic isolated output guarantees a quality power supply that is completely protected from all electrical anomalies at the input. Even in the event of serious power supply problems, the output power remains stable.

Zero impact source

Master HP UL features the added advantages of the Zero Impact Source formula offered by an IGBT-based rectifier assembly. This eliminates problems connected with installation in networks with limited power capacity, where the UPS is supplied by a generator set or in any case anywhere there are compatibility problems with loads that generate current harmonics. Master HP UL has zero impact on the power supply source, whether it is a mains grid or generator set:

- input current distortion < 3%
- input power factor 0,99
- power walk-in function that ensures progressive rectifier start up
- start-up delay function, to restart the rectifiers when mains power is restored if there are several UPS in the system.

Master HP UL also performs the role of a filter and power factor corrector, protecting the upstream power supply from any harmonics and reactive power generated by the consumers.

Battery Care System: maximum battery care

Master HP UL uses the Battery Care System, which optimises battery performance in order to extend the battery life for as long as possible.

Flexibility

The output isolation transformer ensures the galvanic isolation of the load towards the battery and improved versatility in system configuration: it allows for two truly separate network inputs (main and emergency), coming from two different power sources; this is particularly suited to parallel systems in order to ensure selectivity between the two sources, thus improving the reliability of the entire installation.



OPTIONS

SOFTWARE

PowerShield³
PowerNetGuard

ACCESSORIES

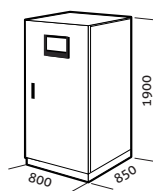
NETMAN 204

PRODUCT ACCESSORIES

Generator interface
Parallel configuration kit (Closed Loop)
Battery cabinets empty or for extended runtimes

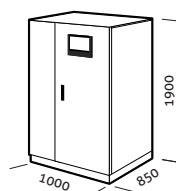
DIMENSIONS

MHT UL 65 - MHT UL 80
MHT UL 100 - MHT UL 125



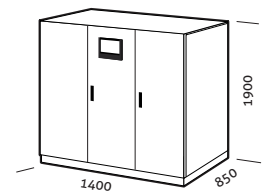
including manual bypass

MHT UL 160 - MHT UL 200
MHT UL 250



excluding manual bypass

MHT UL 160 - MHT UL 200
MHT UL 250



including manual bypass
Top Cable Entry cabinets

MODELS	MHT UL 65	MHT UL 80	MHT UL 100	MHT UL 125	MHT UL 160	MHT UL 200	MHT UL 250
INPUT							
Nominal voltage	480 Vac three-phase + N						
Frequency	45 - 65 Hz						
Power factor	> 0,99						
Harmonic current distortion	<3% THDi						
Soft start	0 - 100% in 30" (selectable)						
Frequency tolerance	± 2% (selectable from ± 1% to ± 5% from front panel)						
Standard equipment provided	Back Feed protection; separable bypass line						
BATTERIES							
Type	VRLA AGM / GEL; NiCd; Li-ion; Supercaps and Flywheel						
Ripple current	Zero						
Recharge voltage compensation	-0,5 Vx°C						
OUTPUT							
Nominal power (kVA)	65	80	100	125	160	200	250
Active power (kW)	58,5	72	90	112,5	144	180	225
Number of phases	3 + N						
Nominal voltage	480 Vac three-phase + N						
Static stability	± 1%						
Dynamic stability	from ± 5% to ± 1% in 20 ms						
Voltage distortion	< 1% with linear load / < 3% with non-linear load						
Crest factor	3:1 lpeak/lrms						
Frequency stability on battery	0,05%						
Frequency	60 Hz						
Overload	110% for 60'; 125% for 10'; 150% for 1'						
INFO FOR INSTALLATION							
Weight (lbs [kg])	1500 [680]	1610 [730]	1742 [720]	1851 [840] *	2138 [970] *	2247 [1110] *	
Weight without manual bypass (lbs [kg])	-	-	-	1984 [900]	2534 [1145]	2799 [1270]	
Dimensions (WxDxH) (inches [mm])	31,5 x 33,5 x 75 [800 x 850 x 1900]				55 x 33,5 x 75 [1400 x 850 x 1900] *		
Dimensions without manual bypass (WxDxH) (inches [mm])	-				39 x 33,5 x 75 [1000 x 850 x 1900]		
Remote signals	dry contacts (configurable)						
Remote controls	ESD and bypass (configurable)						
Communications	Double RS232 + dry contacts + 2 slots for communications interface						
Operating temperature	0 °C / +40 °C						
Relative humidity	<95% non-condensing						
Colour	Dark grey RAL 7016						
Noise level at 1 m (ECO Mode)	65 dBA				68 dBA		
IP rating	IP20						
Smart Active efficiency	up to 98,5%						
Standards	UL Standard 1778: 2nd edition from 65 to 125 kVA, 4th edition from 160 to 250 kVA; National Electrical Code (NFPA-70); NEMA PE-1; CUL - CSA C22.2; ASME; ASA-C-39.1-1984; FCC section 15 subsection J class A; NEC; OSHA; IEEE 587; ANSI C 62.41-1980; ISO 9000 Lighting and Power Equipment, Auxiliary (OUST)						
Classification in accordance with IEC 62040-3	(Voltage Frequency Independent) VFI - SS - 111						
Moving the UPS	transpallet						

* with Top Cable Entry







INDUSTRY



TRANSPORT

Master Industrial



ONLINE



Tower



3:1

30-80 kVA
DC BUS 220 Vdc



Service
1st start



HIGHLIGHTS

- **Battery voltage: 220 Vdc**
- **Galvanic isolation of input and output**
- **High short-circuit current**
- **Redundant ventilation**

Industrial application protection

Master Industrial series UPS provide maximum protection and power quality for any type of load, especially industrial applications, such as manufacturing and petrochemical processes, electrical distribution and power plants. Master Industrial is an on-line double conversion UPS (class VFI SS 111 in accordance with IEC EN 62040-3) with input and output isolation transformers.

Industrial environment

Master Industrial is suited to the most demanding installation environments where there are vibrations, mechanical stresses, dust

and in general where operating conditions are unfavourable to products created for the standard UPS market.

High ICC

The high short-circuit current (ICC = 3xIn) makes it suitable for loads that require high current peaks during switch-on or during normal operation.

DC voltage 220 V

The input and inverter transformers guarantee the isolation of the batteries, which are sized for a voltage of 220 Vdc (from 108 to 114 elements), the standard industrial value.



Redundant ventilation

Redundant ventilation at 100% load is standard, ensuring operation with a normal load with half of the fans operating; in addition, each fan is monitored and an alarm signal is provided in the event of failure. The Easy Source input features, the Battery Care System, and the flexibility and communications capabilities are the same as those of the conventional Master MPS range (page 82).

OPTIONS

SOFTWARE & ACCESSORIES

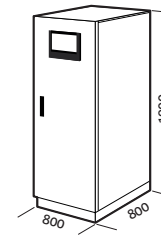
See Master MPS

PRODUCT ACCESSORIES

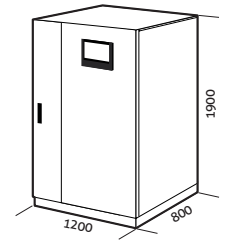
Isolation transformer
Synchronisation device (UGS)
Hot connection device (PSI)
Digital I/O and Generator interface
Parallel configuration kit (Closed Loop)
Battery cabinets empty or for extended runtimes
Top Cable Entry cabinets
IP rating IP31/IP42

DIMENSIONS

MIM 30 - MIM 40



MIM 60 - MIM 80



MODELS	MIM 30	MIM 40	MIM 60	MIM 80
INPUT				
Nominal voltage	380 - 400 - 415 Vac three-phase			
Voltage tolerance	400 V \pm 20%			
Frequency	45 - 65 Hz			
Power factor	> 0,93			
Current distortion	< 6%			
Soft start	0 \div 100% in 120" configurable			
Permitted frequency tolerance	\pm 2% (selectable from \pm 1% to \pm 5% from front panel)			
Standard equipment provided	Back Feed protection; separable bypass line; battery isolation			
BATTERIES				
Type	VRLA AGM / GEL; NiCd			
Number of cells	108/114			
Maximum charging voltage	274 V			
Temperature compensation	-0,5 V \times °C			
OUTPUT				
Nominal power (kVA)	30	40	60	80
Active power (kW)	24	32	48	64
Nominal voltage	230 Vac single-phase			
Static stability	\pm 1%			
Dynamic stability	\pm 5%			
Voltage distortion	< 1% with linear load / < 3% with non-linear load			
Frequency	50 or 60 Hz (selectable)			
Crest factor	3:1 I _{peak} /I _{rms}			
Overload	110% for 60'; 125% for 10'; 150% for 1'			
Short-circuit current	3 x I _{nom} .			
INFO FOR INSTALLATION				
Weight (kg)	640	650	910	940
Dimensions (WxDxH) (mm)	800 x 800 x 1900		1200 x 800 x 1900	
Remote signals	dry contacts			
Remote controls	ESD and bypass			
Communications	Double RS232 + dry contacts + 2 slots for communications interface			
Operating temperature	0 °C / +40 °C			
Relative humidity	<95% non-condensing			
Colour	Light grey RAL 7035			
Noise level at 1 m (ECO Mode)	68 \div 70 dBA			
Ventilation	Redundant fans (front-top)			
IP rating	IP20			
Efficiency	up to 94%			
Standards	Directives LV 2006/95/EC - 2004/108/EC; Safety IEC EN 62040-1; EMC IEC EN 62040-2; Performance IEC EN 62040-3			
Classification in accordance with IEC 62040-3	(Voltage Frequency Independent) VFI - SS - 111			
Moving the UPS	transpallet			



TRANSPORT

Master FC400



ONLINE



Tower



3:3 30-125 kVA



Service
1st start



Airport/
Shipyards

HIGHLIGHTS

- **Frequency converter 50/400 Hz**
- **Output voltage: 208 V - 3F**
- **Galvanic isolation**
- **Applications: airport, military and naval**
- **Battery backup**

Master FC400 series static frequency converters are available from 30 to 120 kVA, with 50 or 60 Hz input and 400 Hz output. The result of extensive experience acquired in the UPS industry, the Master FC 400 series is distinguished by the use of technologically advanced components and for excellent reliability, ease of maintenance and ease of operation.

The Master FC400 series uses double conversion technology (VFI SS 111 voltage and frequency independent compliant with IEC EN 62040-3), with an integrated output transformer to ensure the galvanic isolation of the load from mains disturbances under all conditions.

The output voltage is 208 Vca three-phase

(adjustable 200±215 Vac). Thanks to high frequency IGBT technology and digital control, Master FC400 frequency converters are ideal for airport, military and naval applications.

Minimum impact on mains – easy source

The Master FC400 was designed to reduce to a minimum the impact on the mains or generator located upstream, thanks to the low harmonic content input and the progressive start of the rectifier. These features make the Master FC400 frequency converters especially compatible with generators.



Easy installation and maintenance

The Master FC400 requires a small space for installation (only 0,86m² for a 125 kVA model). The main assemblies of the UPS can be easily accessed for maintenance, via the removable front panel. Fans located in the top of the UPS cabinet, eliminate the need for side or rear access, and allow the UPS to be placed against a wall.

Applications

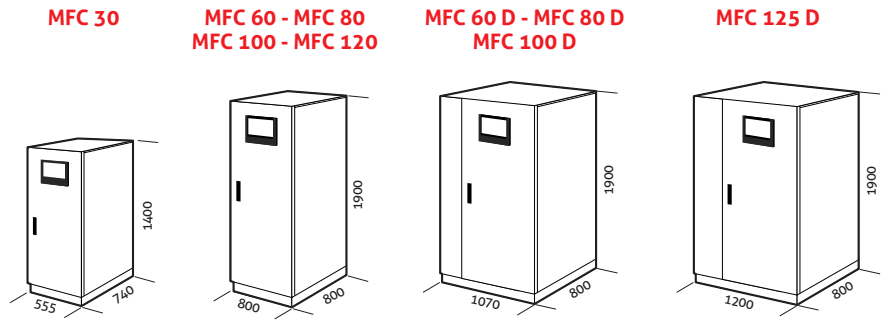
Master FC400 provides additional protection for a wide range of applications, including:

- Powering airplanes in airports
- Radar and flight-control systems
- Naval applications
- Military applications
- Power for test benches.

Battery Back-up

MFC is also available as UPS with battery back-up.

DIMENSIONS



OPTIONS

SOFTWARE & ACCESSORIES

See Master MPS

PRODUCT ACCESSORIES

Input isolation transformer

IP rating IP31/IP42

Parallel configuration kit (Closed Loop)
12 pulse version (D)

Filtering of 5th and 11th harmonics (HC)

Top Cable Entry cabinets

Digital I/O and Generator interface

MODELS	MFC 30	MFC 60	MFC 80	MFC 100	MFC 125
INPUT					
Nominal voltage	380 - 400 - 415 Vac three-phase				
Voltage tolerance	400 V ± 20%				
Frequency	45 - 65 Hz				
Current distortion	< 5% C (HC Version)				
Soft start	0 - 100% in 120" configurable				
OUTPUT					
Nominal power (kVA)	30	60	80	100	125
Active power (kW)	24	48	64	80	100
Nominal voltage	208 Vac three-phase + N				
Static stability	± 1%				
Dynamic stability	± 5%				
Voltage distortion	< 3% with linear load / < 4% with non-linear load				
Frequency	400 Hz				
Crest factor (I _{peak} /I _{rms})	3/1				
Overload	110% for 60'; 125% for 10'; 150% for 1'				
INFO FOR INSTALLATION					
Weight (kg)	330	480	500	530	590
Dimensions (WxDxH) (mm)	555 x 740 x 1400	800 x 800 x 1900			
Remote signals	dry contacts				
Remote controls	ESD and ON/OFF				
Communications	Double RS232 + dry contacts + 2 slots for communications interface				
Operating temperature	0°C / +40°C (50°C @ 75% load)				
Relative humidity	<95% non-condensing				
Colour	Light grey RAL 7036				
Noise level at 1 m (ECO Mode)	62 dBA	65 dBA	68 dBA	70 dBA	72 dBA
IP rating	IP20 (others on request)				
Efficiency	up to 92%				
Standards	Directives LV 2006/95/EC - 2004/108/EC; Safety IEC EN 62040-1; EMC IEC EN 62040-2; Performance IEC EN 62040-3				
Classification in accordance with IEC 62040-3	(Voltage Frequency Independent) VFI - SS - 111				
Moving the UPS	transpallet				



Modular UPS



DATA CENTRE



TRANSPORT

Multi Power



ONLINE



Modular



3:3

1-28 x 42 kW
up to 1 MW
+ redundancy



USB
plug



SmartGrid
ready



HIGHLIGHTS

- **Utmost Availability**
- **Ultimate Scalability**
- **Unmatching Power Density**
- **Efficiency > 96,5%**
- **Multi Control**
- **Multi Flexible**
- **Multi Communication**

The Riello MULTI POWER (MPW) is the ultimate modular UPS for DATA CENTERS and other CRITICAL LOADS. The MULTI POWER is designed to protect any critical high-density computer and IT environment, whilst achieving maximum availability. The MPW grows along with the demands of the business without over-sizing the UPS - optimizing both the initial investment and the Total Cost of Ownership. As soon as demand increases, the Riello MPW modular solution can expand its power capability, maintaining the highest levels of power protection, availability, redundancy and investment savings. Digital technology has an increasingly strong influence on day-to-day activities in almost all sectors and applications such

as healthcare, power generation, social networking, telecommunications, commerce and education. Subsequently, any activities and equipment related to data storage, processing and transfer should be supplied from the most reliable power source. Multi Power ensures that a scalable, secure, high quality power supply is available for a variety of critical load applications. The new MPW **Power Modules** feature the very latest in UPS technology. With its three level Neutral Point Clamped (NPC) inverter and Power Factor Corrected (PFC) input control, the MPW ensures the highest level of performance in terms of overall efficiency, input power factor and harmonic impact on the supply source.



Advanced Technology

To ensure the highest levels of power availability, only the most reliable, cutting edge power components and innovative control technologies have been used in the development of the MPW power modules and other major aspects of the system. The major power components and assemblies within the MPW have been specifically designed and tailor made in conjunction with the respective component manufacturers. This design work ensures that the MPW achieves the highest levels of power and performance. In order to optimize the overall performance of the finished product, Riello's R&D team made the decision to specifically design certain power components, including the IGBT modules and associated packages. Rather than using standard components that are readily available in the marketplace, the Multi Power hosts one single optimised and reliable power assembly which guarantees the best availability and overall efficiency. The Power Module itself utilizes a "wireless power principle" meaning that the power interconnection distances between the cards, power components and connectors are shorter. In this way we reduce any risk related to connection problems between the assemblies and also minimize the overall power losses.

Scalability

Multi Power provides a comprehensive, easy-to-integrate power protection solution for data centers and any critical IT application matching the evolving demands of a networked environment.

The end user can easily increase power, redundancy level and battery autonomy by simply adding additional UPS **Power Modules** and **Battery Units**.

Two different cabinet frames are available to build the system: The **Power Cabinet** and the **Battery Cabinet**.

The available UPS power and redundancy level can expand vertically from 42 to 294kW in one single Power cabinet (1 to 7 Power Modules including redundancy). Similarly up to four Power Cabinets can be connected in parallel, increasing the capacity from 294kW up to 1176kW. The Battery cabinet accommodates multiples of 4 battery units, with up to 36 units within a single frame with a maximum of 10 Battery cabinets connected in parallel.

In addition, the MPW is available as an optimized solution providing a Multi Power/ Battery combination with three UPS Power Module slots and five battery shelves. This solution can be utilized within extremely compact areas requiring a small footprint with

maximum power density. This modular and reliable solution is perfect for any small to medium business applications.

Outstanding Performances

- The advanced technologies deployed within the MPW guarantees full rated power even with unity power factor loads (kVA=kW) without any power downgrading even when operating at temperatures up to 40°C.
- High system efficiency whilst operating in on-line double-conversion mode greater than 96,5%. Even when loaded at only 20%, the MPW still achieves an outstanding performance greater than 95%. This superior performance ensures extremely low losses at any load level whilst maintaining a true modular solution for any changing UPS environment in terms power demands.
- Low input harmonic pollution, with near unity input power factor and an extremely wide input voltage operating range (+20/-40%), requiring only a minimum upstream power source rating and subsequent reduced investment costs.

Multiple Controls

The entire Multi Power solution was developed with particular care to ensure operational reliability and prevent any possible failures due to miscommunication between the component parts of the system. The Power Modules are not controlled by one



Power Module 42 kW



Battery Shelf - 4 x Battery Units

unique microprocessor, but by three - each having different and specific duties. Likewise, the Power cabinet features two separate microprocessors; one to regulate the overall UPS operations and a separate one to manage communication with the user. In addition, three dedicated communications bus manage and transmit the data. In terms of the monitoring and control of the overall system, all major components are continually temperature monitored within



Power Cabinet (1+7 x Power Modules) x 4



each of the Power Modules. In addition, up to four-temperature sensors are embedded within the Power cabinet to ensure constant and efficient operation. The UPS module is equipped with three

speed controlled fans to ensure there is no energy wasted as the load level applied to the system increases or decreases. At the same time each fan features a so-called third wire (the controller) which immediately warns the microprocessor in the event of a fault; in which case the microprocessor will increase the speed of the remaining operational fans in order to compensate for the cooling deficiency. The Battery unit also contains dedicated internal protection and a sophisticated control system to monitor the status of each module. This makes it possible to check the voltage/current supplied by each single battery module and therefore identify and warn the user if one of them is defective or beginning to fail. This significantly reduces the risk of a battery pack failure causing a problem to the system by immediately warning the user of the impending issue in order for the appropriate preventive actions to be taken before it is too late.



Battery Cabinet with open and closed door.



Combo Cabinet 1÷3 x Power Modules + 1÷5 Battery Shelves.

Flexible Modularity

Multi Power grows both horizontally and vertically from 1 to 28 Power Modules increasing from 42 to 1176kW (including redundancy) as well as battery units (from 1 cabinet up to 10), therefore the system is completely scalable in accordance with any business requirements. The Plug & Play modular concept simplifies any power or battery autonomy expansion process, rather than a complete Power Module or Battery unit replacement.

The modular hot-swappable principle is further extended to all major elements of the system, resulting in convenient replacement of parts such as fans from within individual Power Modules rather than accessing major components within the cabinet. Furthermore, all power modules and critical components are easily accessible from the front of the

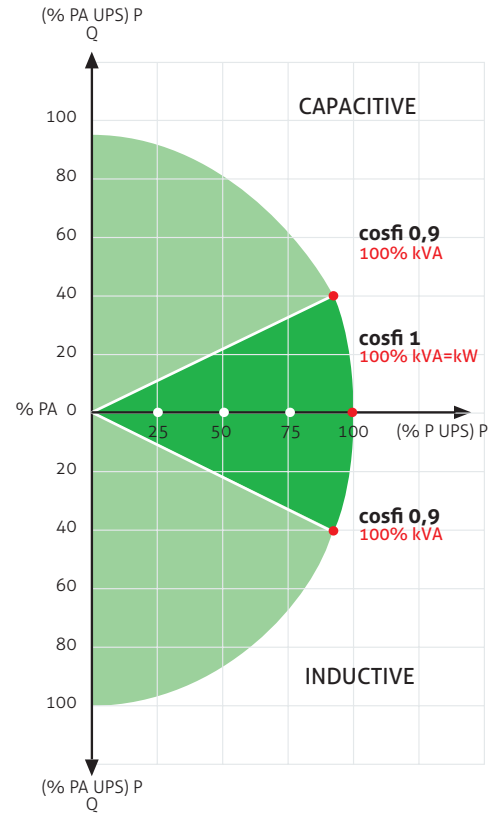
unit as standard. The system is equipped with a **Manual bypass** change over switch and **Backfeed** control with a mechanical interlock contactor inbuilt, eliminating any maintenance-related downtime. Combination systems (Power cabinet with Battery cabinet) are supplied with a battery switch and shunt trip to enable remote battery switch operation. All these features ensure easy UPS expansion, operation and maintenance; minimizing downtime, decreasing the Mean Time to Repair (MTTR) and removing any possible risk to power continuity, when carried out by authorized service personnel. Flexibility is measured by the ease of both on site installation and the operations undertaken by the user. Input/Output/ battery terminal bars are deployed enabling authorized installers to easily terminate the cables either from the top or the bottom of the system. Mechanical supports and cable glands as well as the terminal bar positioning (in the centre of the cabinet) are purposely positioned to reduce the installation time and costs.

Advanced Communications

Users can benefit from the different communication systems developed specifically for IT personnel, facilities managers and service engineers. The 7" LCD touch screen, communication slots, relay cards along with the dedicated service ports, all ensure that the UPS setup, control and monitoring is easy, along with the intergration into any building management system and data center infrastructure management (DCIM). Multi Power is compatible with the very latest operating systems including

- Windows 7, 8
- Hyper-V
- Windows Server 2012, 2008, and previous versions
- Mac OS X
- Linux
- VMWare ESXi
- Citrix XenServer

and many other Unix operating systems.



OPTIONS

SOFTWARE

PowerShield³
PowerNetGuard

ACCESSORIES

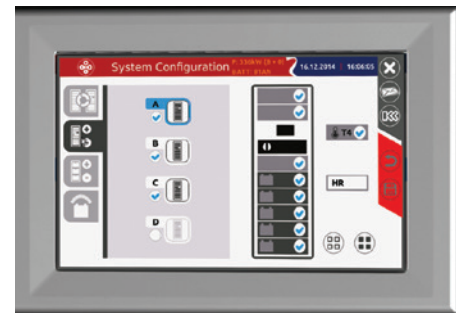
NETMAN 204
MULTICOM 302
MULTICOM 352
MULTICOM 372
MULTICOM 382
MULTICOM 401

MULTI I/O

Interface kit AS400
MULTIPANEL
RTG 100
GSM Modem

PRODUCT ACCESSORIES

Battery temperature sensor
Programmable relay board
MULTICOM 392

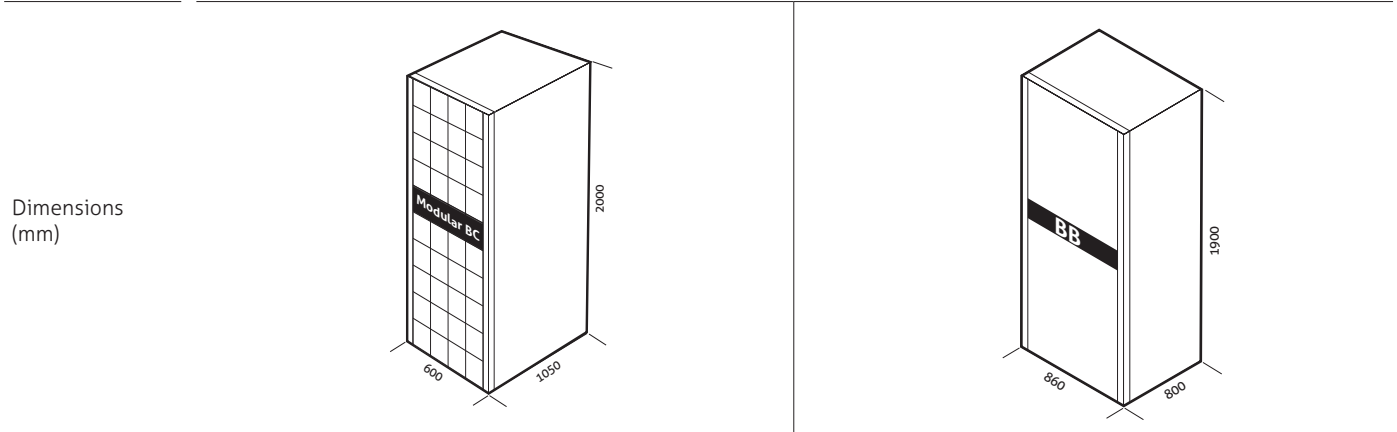


MPW LCD Touch screen: user friendly UPS configuration and monitoring display.

CABINETS

MODELS	CABINET MPW BATTERY	BB 1900 480-V6 / BB 1900 480-V7 BB 1900 480-V8 / BB 1900 480-V9 AB 1900 480-V9
--------	---------------------	--

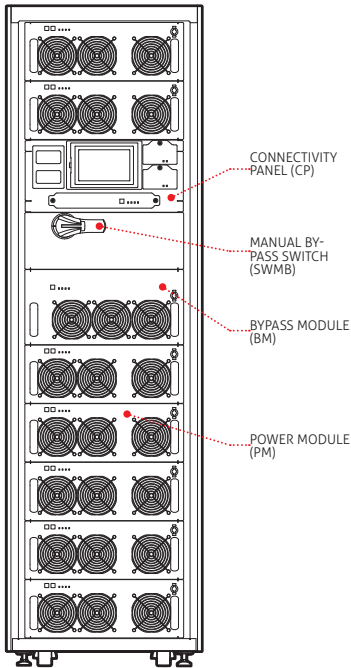
UPS MODELS Select the Battery configuration according Multi Power range



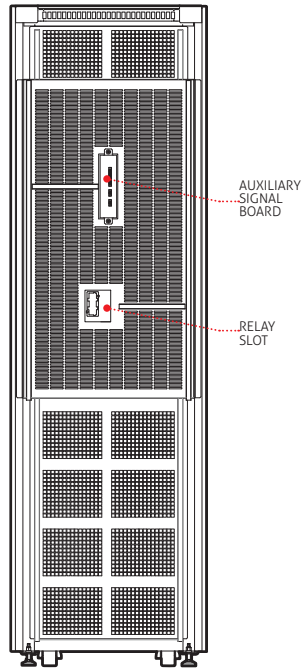
Dimensions (mm)

DETAILS

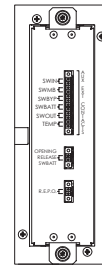
**MPW Power Cabinet
42-294 kW
(front)**



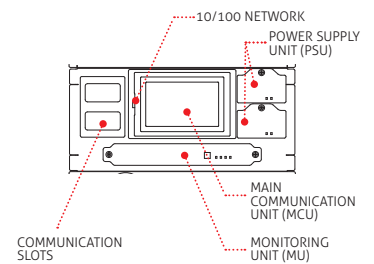
**MPW Power Cabinet
42-294 kW
(back)**



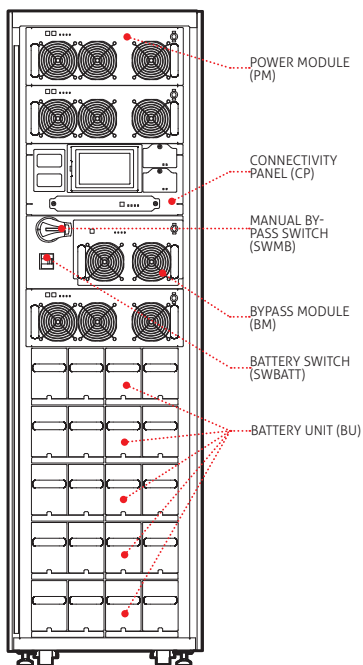
AUXILIARY SIGNAL BOARD



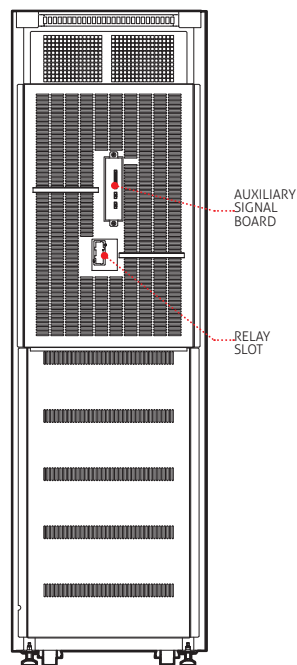
CONNECTIVITY PANEL (CP)



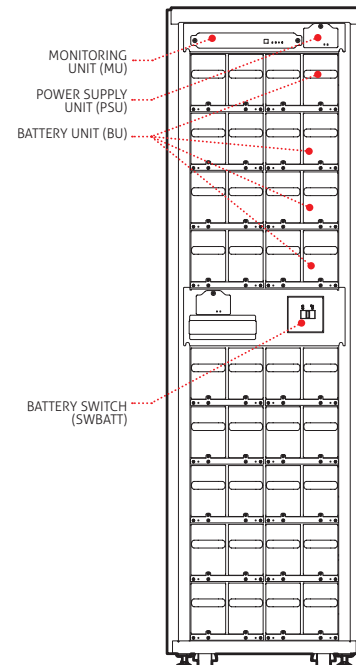
**MPW Combo Cabinet
42-126
(front)**



**MPW Combo Cabinet
42-126
(back)**



**MPW Battery Cabinet
(front)**



MODEL	MPW - from 42 to 294 kW ¹		
INPUT			
Voltage [V]	380-400-415 Vac Three-Phase plus neutral		
Voltage tolerance [V]	240 to 480 ²		
Frequency tolerance [Hz]	40 to 72		
Power factor	1		
THDI [%]	< 3,5		
BYPASS			
Nominal power [kW]	252 (Power Cabinet) / 126 (Combo cabinet)		
Nominal voltage [V]	380-400-415 Vac Three-Phase plus neutral		
Voltage tolerance [V]	from 180 (adjustable 180-200) to 264 (adjustable 250-264) referring to Neutral		
Nominal frequency [Hz]	50 or 60		
Overload	125% for 10 minutes; 150% for 1 minute		
BATTERIES			
Layout	Modular type made up by Battery Unit (named BU) or Free Standing Battery Box / Shelf		
Battery Unit features	VRLA batteries lined up Constant voltage and current measuring Battery status monitoring via MPW LCD display		
OUTPUT			
Nominal voltage [V]	380/400/415 Vac Three-Phase plus neutral		
Nominal frequency [Hz]	50 or 60		
Voltage stability [%]	± 0,5		
Dynamic stability	EN62040-3 class performance 1 distorting load		
OVERALL SPECIFICATION			
Power Module nominal power [kW] (Named PM)	42		
Output power factor [pf]	1		
Eco Mode Efficiency	Up to 99%		
Cabinet type	Power Cabinet	Combo Cabinet	Battery Cabinet
Nominal Power [kW]	294	126	N.A.
Parallelable (up to)	4	4	N.A.
Cabinet lay out description	7 x PM ³	3 x PM ³ 5 x Battery shelves	9 x Battery shelves
Dimensions [WxDxH]	600x1050x2000	600x1050x2000	600x1050x2000
Weight [kg] (without PM ³ /BU ⁴)	320	360	280
System Noise Level at 1 m [dBA±2] (Smart Active)	< 68	<65	N.A.
Cabinet IP rating	IP20 finger proof (either with cabinet doors open or close)		
Cable input	Rear side either top or bottom		
Color	RAL 9005		
Standards	Safety: IEC EN62040-1 EMC: IEC EN 62040-2-category C3		
Moving cabinet types UPS	Castors (any cabinet type is shipped without PM and BU)		

¹ Including Redundancy

² Contitions applied

³ PM = Power Module (42 kW)

⁴ BU = Battery Unit

NOTE: All performances quoted in a single row refer to any UPS system configuration from one to seven modules running in parallel unless specified differently.



DATACENTRE



E-MEDICAL

Multi Guard



ONLINE



Modular



3:3 1-8 x 15 kVA



Service
1st start

HIGHLIGHTS

- **Power flexibility 15-120 kVA**
- **UPS module with hot-swap function**
- **Modular power and runtime**
- **Intelligent battery charging system**
- **High MTBF and low MTTR**

The Multi Guard modular UPS is a scalable three-phase / three-phase uninterruptible power supply system with double conversion technology. Its power capacity ranges from 15kVA to 120kVA, delivering the best combination of reliability, functionality and flexibility.

The Multi Guard N+X parallel architecture adopts a highly intelligent modular design to achieve maximum power availability and redundancy.

It is specially designed to meet the protection demands of mission critical loads in data centres or other important applications.

Each module has an individual power capacity of 15 kVA, and a standard cabinet can be fitted with up to 8 modules to reach 120 kVA. If the load is within permitted limits, modules can be hot-swapped to enable true power continuity without any interruptions.

System features

- Maximum 120kVA capacity in a 19" rack.
- Input power factor >0,99
THDi <2% and output voltage distortion equal to 1,5%.
- 15 kVA per module with hot-swap function.



- The LCD display on the front panel displays unit status and important information such as input and output nominal values, capacity, temperature and autonomy.
- Communication port for standard Ethernet and relay contact board.
- DSP technology, IGBT input.
- 36 Ampere battery charge current on a 120 kVA system.

Further advantages

- The Multi Guard UPS power modules use the latest DSP microchip technology. This reduces hardware components, increases UPS reliability and also makes it easier to update and maintain the software.
- The UPS operates with load sharing technology. Should any of the UPS modules fail, the load will be taken over by the rest of the modules without interruption. This increases the real time operation and power availability compared to other standby UPS.
- The Multi Guard UPS is designed to connect to external battery banks in order to ensure the required battery run time.

Advanced Modular Design

The Multi Guard system contains UPS modules, a LCD Display module, the PDU and other accessories. Each UPS module is a fully independent 15kVA UPS. Thanks to the advanced wireless parallel control technology and smart communication, the UPS modules and LCD display modules can be easily replaced at any time without affecting UPS operation. The user friendly "plug & play" design simplifies UPS servicing and maintenance. The Multi Guard de-centralises the control units in each UPS Module. The LCD Display module is for display and communication purposes only. If the LCD Display module fails, the UPS system still functions and supports the load without any interruption.

High capacity MTBF

System MTBF for two modules in parallel is more than 1.000.000 hours and power availability is above 99,999%. Each 15-120 kVA redundant configuration guarantees correct operation even in the event of the failure of one of the UPS modules. The module replacement procedure only takes 5 minutes for full system recovery. This solution allows you to:

- Minimise downtime;
- Reduce the number of stored spare parts;
- Avoid the need for specialised technicians

Intelligent recharging system

The Multi Guard UPS system applies a two-step intelligent charging system. The first stage is a constant charging current that can recharge the battery capacity to 90% very quickly. The system then transfers to a constant voltage mode to guarantee the battery can stay fully charged all the time. This intelligent charging system not only reduces the battery recharging time but also extends battery life, saving on battery replacement costs.

Modular Autonomy

The Multi Guard 30 and 60 versions are designed to build up internal run time using a single battery module for all power and autonomy requirements. The same battery module is also used to build up the required autonomy in an external cabinet.

Low total Cost of Ownership (TCO):

- Lower system set-up costs
- Lower energy costs
- Lower cooling costs
- Lower expansion costs
- Lower maintenance costs.

UPS power selection

The Multi Guard can be configured from 1 up to 8 modules in its cabinet to form the most suitable N + X configuration for the application. Multi Guard grows as your needs grow by simply adding further UPS modules and battery modules to the existing frame. The initial investment is recuperated in cost savings. New power supply requirements can be satisfied without complex and costly replacement operations.



GMT 60 kVA

Easy maintenance

Redundancy



Scalability



OPTIONS

PRODUCT ACCESSORIES

Modular battery cabinet
(9 shelves, 36 battery modules)

Relay alarm board

Battery cabinets for any autonomy requirements

MULTI GUARD 30

Multi Guard 30 is the entry level to the range. It is the ideal solution for supplying medium-power loads that require one level of redundancy.

The solution is very compact and allows the possibility to expand autonomy up to one and a half hours for a 15 kVA model in a N+1 configuration.

The power rating ranges from 15 kVA to 30 kVA with 1 or 2 UPS modules in a 19" rack cabinet, which is able to house up to 4 battery shelves.

No. OF POWER MODULES	kVA	Typical autonomy (min) ^(*)
1	15	90
2	30	42

^(*) The autonomy refers to the max. number of installed batteries inside the UPS



OPTIONAL

MULTI GUARD 60

The Multi Guard 60 system allows you to install from one to four UPS modules (15 kVA to 60 kVA) in a 19" rack cabinet, which is able to house up to 5 battery shelves.

If redundancy is required (N+1 modules) the max. output power will be 45 kVA.

No. OF POWER MODULES	kVA	Typical autonomy (min) ^(*)
1	15	113
2	30	54
3	45	30
4	60	21

^(*) The autonomy refers to the max. number of installed batteries inside the UPS



OPTIONAL

MULTI GUARD 120

The Multi Guard 120 system allows you to install from one to eight UPS modules (15 kVA to 120 kVA) in a 19" rack cabinet, with batteries housed in an external cabinet. This cabinet houses the same battery modules as those used for the GMT 30/60 versions, up to a maximum of 9 battery shelves.

No. OF POWER MODULES	kVA	Typical autonomy (min) ^(*)
1	15	217
2	30	103
3	45	65
4	60	49
5	75	36
6	90	30
7	105	22
8	120	10

^(*) The autonomy refers to the max. number of installed batteries inside the modular battery cabinet (9 shelves).



MODEL	GMT - from 15 kVA to 120 kVA
INPUT	
Voltage	380-400-415 Vac, three-phase + N
Voltage tolerance	from 294 Vac to 520 Vac
Frequency tolerance	between 40 Hz and 70 Hz
Power factor	>0,99
THDI	< 2%
BYPASS	
Voltage	380-400-415 Vac, three-phase + N
Voltage tolerance	from 323 Vac to 437 Vac
Transfer time from on-line to off-line or vice versa	0 sec
OUTPUT	
Voltage	380-400-415 Vac, three-phase + N (selectable)
Voltage stability	≤ 1,5%
Frequency	50 Hz / 60 Hz
UPS MODULE	
Power	15 kVA / 13,5 kW
Output power	15 kVA x number of modules, up to a maximum of 8
SPECIFICATIONS	
Noise level at 1 m (ECO Mode)	from ≤ 60 dBA to ≤ 62 dBA
Operating temperature	0 °C / +40 °C
Humidity	20% - 90% non-condensing
Storage temperature	-15 °C +55 °C
UPS module weight (kg)	35
UPS module dimensions (WxDxH) (mm)	440 x 700 x 131
GMT 30 cabinet dimensions (WxDxH) (mm)	600 x 1000 x 1500
GMT 60 cabinet dimensions (WxDxH) (mm)	600 x 1000 x 2000
GMT 120 cabinet dimensions (WxDxH) (mm)	600 x 1000 x 2000
Modular battery cabinet dimensions (WxDxH) (mm)	9 battery shelves, 36 battery modules 597x1003x2000
Eco Mode efficiency	up to 99%
Standards	Safety: IEC 62040-1 EMC: IEC 62040-2
Moving the UPS	transpallet

Multi Guard Industrial



DATACENTRE



E-MEDICAL



INDUSTRY



TRANSPORT



ONLINE



Modular



1-3:1 1-8 x 20 kVA

1-3:3 1-8 x 20 kVA



USB
plug



SmartGrid
ready



Service
1st start

HIGHLIGHTS

- **High adaptability to input voltage**
- **Zero impact source**
- **Compatible with industrial environments**
- **Modular Plug & Play solution**
- **Complete flexibility**

The Multi Guard Industrial range was specially developed to ensure power continuity in all sectors deemed critical due to the specific environmental conditions or industrial processes requiring protection. Multi Guard Industrial is available in a 20 kVA stand alone version and in modular versions from 20 to 160 kVA. The two versions are available in both single-phase and three-phase output configurations. This high level of flexibility allows Multi Guard Industrial to accept both single-phase and three-phase inputs with no need for special set ups or operator intervention, ensuring full compatibility with any power supply network.

High adaptability to input voltage

Multi Guard Industrial is available in two versions: single-phase and three-phase output, whilst the input stage accepts both a triplet of three-phase supplies out-of-phase by 120° (three-phase 400 V+N) or a triplet of power supplies in phase (single-phase 230 V+N). Thanks to its power supply recognition function the UPS is able to adapt to the input power supply with no need for additional configuration, ensuring the same performance under both applied voltage conditions.

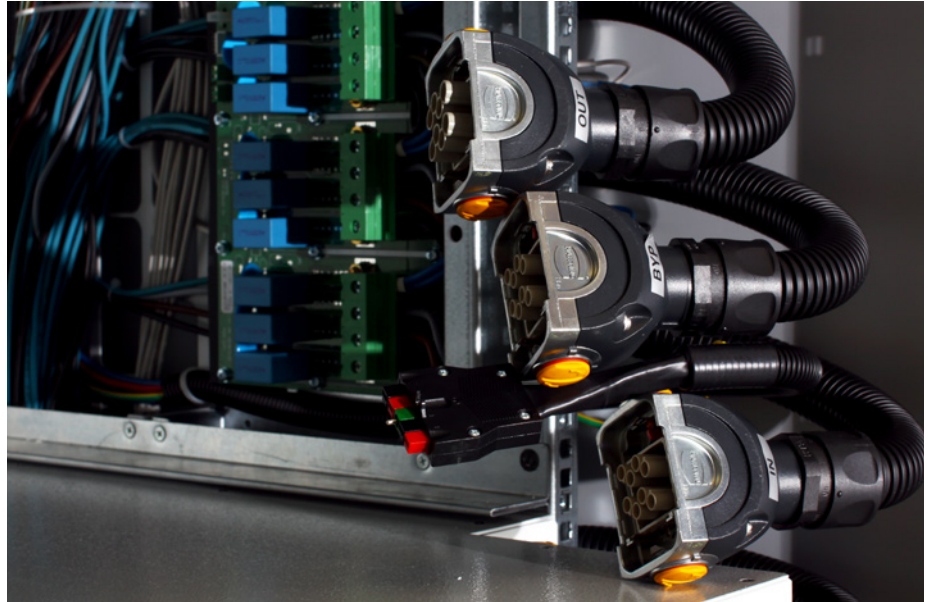
Zero impact source

Thanks to the technology it employs,





Parallel configuration and programmable relay contacts board



Harting connectors

Multi Guard Industrial solves all problems connected with insertion into power supply grids with limited power, where the UPS is supplied by a generator and where the same network includes single-phase (e.g. railway voltage) and three-phase (e.g. emergency power supply from a generator) supplies. Multi Guard Industrial has zero impact on the power supply source, whether it is a mains grid or generator set, single-phase or three-phase:

- power supply voltage recognition (single/ three-phase), with no need for setting up or reconfiguring parameters
- input current distortion < 3%
- input power factor 0,99
- power walk-in function that ensures progressive rectifier start up
- start-up delay function, to restart the rectifiers when mains power is restored if there are several UPS in the system.
- 'cold start' function for starting the UPS from the battery.

In addition, Multi Guard Industrial plays a filtering and power factor correction role in the power network upstream of the UPS as it eliminates harmonic components and reactive power generated by utility suppliers.

Compatible with industrial environments

The mechanical structure of Multi Guard Industrial makes it particularly versatile for use in many different sectors.

The basic building blocks are 20 kVA UPS. The cabinet is able to house up to four 20 kVA modules and up to two cabinets can be connected in parallel for a total of eight UPS modules and 160 kVA of power.

The module connection clamps are laid

out so that the communication signal connections are segregated and separated from the power connections (input, output, bypass line, battery), thus ensuring complete immunity from interference generated by the power supply grid, which is typically disturbed in industrial environments.

Both versions (single-phase and three-phase output) are provided with a bypass line separated from the power supply line. This ensures greater availability in that the customer may have a preferential line for the bypass that is not restricted by the potential interference or interruptions that the UPS power supply line may be subject to. The UPS module has a front to back air flow, allowing the UPS to be installed in any environment and preventing the types of ingress problems associated with top-vented circulations cabinets.

Every UPS module in the Multi Guard Industrial range can be equipped with a parallel board, a relay board with eight programmable outputs and three inputs (one of which is programmable), and two slots for housing communications interface boards from the MultiCOM range, making the UPS compatible with the various types of protocols and supervision systems typical of the industrial environment.

The cabinet is designed to house up to four UPS modules. It has an area that contains all the protection devices and disconnectors for the individual modules (4 input disconnectors, 4 battery disconnectors, 4 bypass line disconnectors and 4 output disconnectors), as well as a manual bypass for isolating the four modules and guaranteeing power continuity in the event of the complete failure of all the UPS units or in the event of scheduled system overhaul.

The cabinet is also equipped with an area that can be used for the insertion of a whole range of accessories for monitoring power that the user can request (surge arresters, energy meters, earth discharge detectors, output distribution, release coils, etc), making the solution compact and optimised for any field of use.

Modular Plug & Play solution

Multi Guard Industrial can be purchased as a single 20 kVA UPS module and installed in any cabinet or mechanical support provided by the user. The power terminals (input, output, battery) are connected by Harting connectors, ensuring simplicity and operating safety during insertion/removal, protection against electrical contacts and immunity from environmental conditions typical of industrial environments (dust, humidity, suspended chemical particles). The removal and replacement of a faulty module or the addition into the system of a further UPS module to increase available power or redundancy can be carried out easily by the operator responsible for the system.

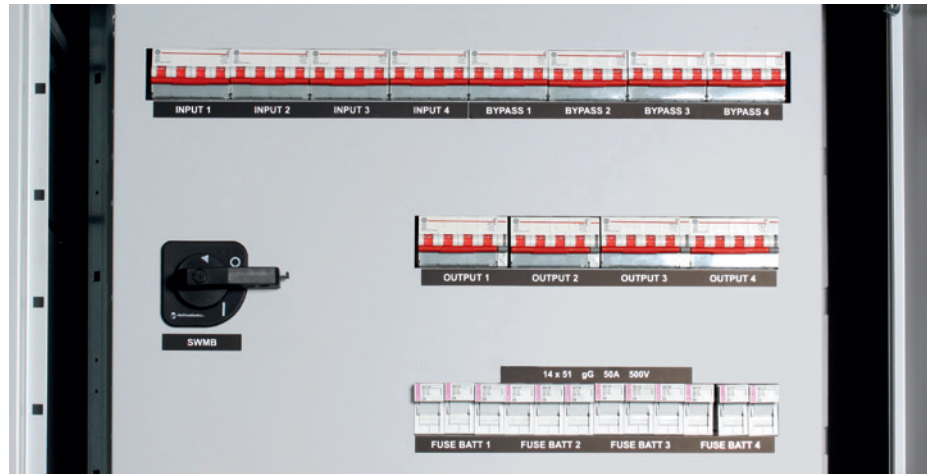
Complete flexibility

Multi Guard Industrial is the ideal solution for industrial environments in which the UPS must adapt to the various requirements typical of this application. Aside from the distinction between single-phase and three-phase output voltages, the UPS module can be used as a stand-alone unit or in a parallel configuration; by simply adding the parallel configuration board in the slot on the front of the module, the UPS can grow as requirements demand (from 20 to 160 kVA). Multiguard Industrial ensures horizontal

scalability that minimises the system footprint, the user can thus have power capabilities from 20 to 80 kVA without increasing the footprint. This is particularly advantageous when the system is installed in environments with space limitations (e.g. containers, historic buildings, sites spread out over a territory).

Each UPS is equipped with a graphic display, a programmable relay board slot and two slots for communications interfaces, all situated at the front for quick and organised installation.

Every UPS module in the Multi Guard Industrial range is completely independent with regards to the control and management of the operator interfaces; this facilitates all monitoring, control and fault-detection operations, ensuring increased reliability in that any malfunctions in parts or accessory will not propagate through the entire system. Multi Guard Industrial is a UPS that uses many components also used in the Multi Sentry range; in particular the display and navigation menus are the



Detail of protective devices and disconnectors

same: this allows for rapid and intuitive access to information as well as simplified management of the spare parts in storage.

Stand-alone version:

Different from the cabinet version, the stand alone system is supplied with input, bypass line, output and battery connectors with loose cables three metres in length and filter

boards that the installation technician must position inside the destination cabinet or near the module.

OPTIONS

SOFTWARE

- PowerShield³
- PowerNetGuard

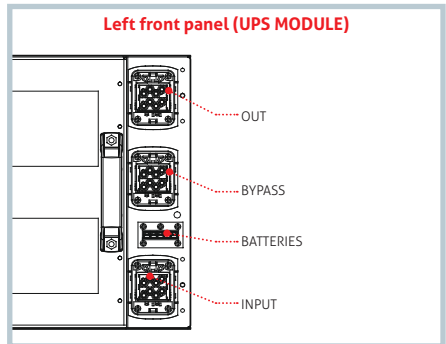
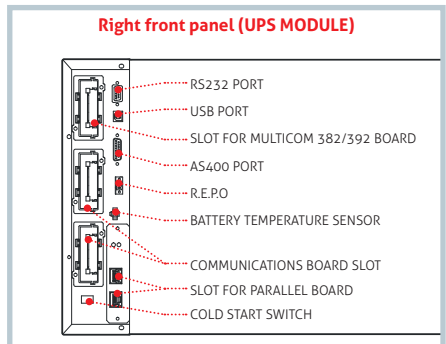
ACCESSORIES

- NETMAN 204
- MULTICOM 302
- MULTICOM 352
- MULTICOM 382
- MULTICOM 401
- MULTI I/O
- MULTIPANEL
- RTG 100

PRODUCT ACCESSORIES

- Battery temperature sensor
- Powerful battery charger
- Programmable relay board MULTICOM 392
- IP rating IP31/IP42
- Internal batteries
- MST range battery cabinets

DETAILS



MODEL	GMI single-phase output (GMI M) from 20 kVA to 160 kVA	GMI three-phase output (GMI T) from 20 kVA to 160 kVA
INPUT		
Voltage	380-400-415 Vac, three-phase + N and 220-230-240 Vac single-phase + N (input voltage recognition function)	
Voltage tolerance	-40/+20% *	
Frequency tolerance	between 40 Hz and 72 Hz	
Power factor	>0,99	
THDI	< 3%	
BYPASS		
Voltage	220-230-240 Vac, single-phase + N	380-400-415 Vac, three-phase + N
Voltage tolerance	180 - 264 V (selectable) referring to neutral phase	
Overload	125% for 60 minutes; 150% for 18 minutes	
OUTPUT		
Voltage	220-230-240 Vac, single-phase + N (selectable)	380-400-415 Vac, three-phase + N (selectable)
Voltage stability	≤ 1%	
Frequency	50 Hz / 60 Hz	
UPS MODULE		
Power	20 kVA / 18 kW	
Output power	20 kVA x number of modules, up to a maximum of 8 (max. 160 kVA)	
BATTERIES		
Layout	independent batteries for each UPS module or shared by the UPS system	
Type	VRLA AGM/GEL	
Recharge time	6 hours	
SPECIFICATIONS		
Noise level at 1 m (ECO Mode)	from ≤ 52 dBA to ≤ 70 dBA	
Operating temperature	0 °C / +40 °C	
Humidity	20% - 90% non-condensing	
Storage temperature	-15° +55°	
UPS module weight (kg)	64	
UPS module dimensions (WxDxH) (mm)	620 x 745 x 320	
GMI cabinet weight (kg)	200 (UPS modules excluded)	
GMI cabinet dimensions (WxDxH) (mm)	850 x 850 x 2060	
Modular battery cabinet dimensions (WxDxH) (mm)	9 battery shelves, 36 battery modules 597 x 1003 x 2000	
Eco Mode efficiency	up to 99%	
Standards	Safety: IEC 62040-1 EMC: IEC 62040-2	
Moving the UPS	transpallet (UPS cabinet) - 2 operators (UPS module)	

* conditions applied

NOTE: The GMI UPS is also compatible with the battery cabinets in the Multi Sentry range (MST)



CPSS

Central Power Supply Systems

Central Supply Systems

CSS

1:1 **3:1** 6-15 kVA

3:3 10-100 kVA

EN50171 CERTIFIED
PRODUCTS VERIFIED BY
IMQ



HIGHLIGHTS

CERTIFIED COMPLIANCE WITH STANDARD EN 50171

Ideal for emergency lighting and alarm systems.

DUAL INPUT

Simplicity and safety for the periodical system operation check.

PROTECTION AGAINST BATTERY INVERSION

Protection for emergency services and safety for operators.

HIGH RECHARGE CURRENT

Reduced recharge times.

CONTINUOUS OVERLOAD OF 120%

Large power reserve.

CASING COMPLIANT WITH STANDARD EN 60598-1

High mechanical protection.

BATTERIES WITH 10 YEAR LIFE

Long battery life.

The CSS (Central Supply Systems) range by Riello UPS is certified and designed in compliance with standard EN 50171 and is therefore the ideal solution for installation in buildings subject to fire safety regulations and in particular for the power supply of emergency lighting systems. In addition the CSS range by Riello UPS is also suitable for supplying power to other emergency systems such as automatic fire extinguishing systems, alarm systems and emergency detection systems, smoke extraction equipment and carbon monoxide detection devices as well as dedicated security systems in sensitive areas.

The use of centralised supply systems (CSS) ensures a significant reduction in system set-up and maintenance costs as well as making periodical checks simpler and faster to perform.

DUAL INPUT

The Riello UPS CSS range is equipped with DUAL INPUT as standard on all models.

This important feature allows the mandatory scheduled checks on system operation and

autonomy to be carried out with extreme ease and in complete safety by simply operating an input switch. This switch interrupts the power supply to the machine without interrupting the bypass line, which is able to support the load in the event of test failure.

HIGH RECHARGE CURRENT AND BATTERY CARE SYSTEM

Proper battery care is critical to ensuring correct CSS operation in emergency conditions.

The Riello UPS battery care system consists of a series of features and capabilities designed to obtain the best performance, extend operating life and satisfy the recharge times imposed by the standard. The Riello UPS CSS range is designed in compliance with standard EN 50171 and ensures high current levels are available for the batteries, allowing recharge of up to 80% of full autonomy within 12 hours. Riello UPS CSS are suitable for use with hermetically sealed lead-acid (VRLA), AGM and GEL batteries and Open Vent and Nickel



Cadmium batteries. Different charging methods are available depending on the battery type.

The recharge voltage compensation function based on temperature prevents excessive battery charges and overheating.

The deep discharge protection prevents reduced battery performance and battery damage.

HIGH OVERLOAD CAPACITY

As required by standard EN 50171, the Riello UPS CSS range is designed and sized to support continuous overloads (with no time limits) of up to 120% of the machine's nominal power rating.

PROTECTION AGAINST BATTERY INVERSION

Mandatory in line with standard EN 50171, protection against battery inversion ensures the safety of those carrying out maintenance operations on the devices and at the same time prevents damage to the system in the event that the batteries are inadvertently connected with the wrong polarity.

GENERAL FEATURES

In addition to the features mentioned here, the Riello UPS CSS range has all the features of reliability and flexibility common to the UPS range it derives from, as well as offering compatibility with the main options and accessories.

MODELS

The Riello UPS CSS range is based on both single-phase and three-phase models divided into two product families, 1h and 3h, optimised to offer maximum runtimes of 1 hour and 3 hours respectively at nominal load

in accordance with the parameters set out in standard EN 50171.

In particular the models in the 3h range feature transformer-based technology and provide maximum protection for the connected load.

The models in the 3h range are based on transformer-less technology, therefore providing improved efficiency and reduced footprints.

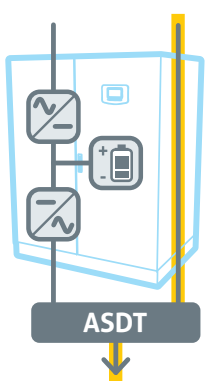


OPERATING MODE

Every Riello CSS model supports all the operating modes set out and described in standard EN50171, as below:

A Changeover mode

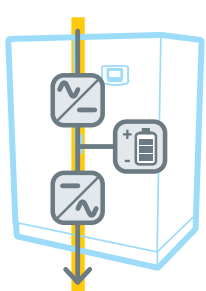
The load is supplied via the CSS bypass line (always supplied output "AS").



In the event of power supply failure the internal automatic device (ATSD) transfers the load to the inverter. The battery provides power to the inverter, ensuring the required runtime.

B Mode without interruption

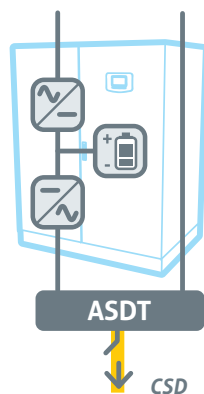
The load is supplied constantly by the CSS inverter (always supplied output "AS").



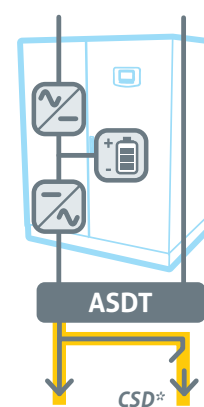
In the event of power supply failure the battery provides power to the inverter, ensuring the required runtime with no interruptions at all.

C Changeover mode with additional control switching device for control switching of the load

In addition to that described in points A and B, the equipment includes one or more switching devices (CSD), which rely on the availability of the normal power supply. On power supply failure the CSD device connects the load that up until that moment was not supplied (emergency only output "EO").



D Changeover mode with additional control switching device for partial switching of the load



Differently to that described in point C, part of the load is supplied without interruption whilst the remaining part is only supplied upon power supply failure thanks to the CSD device (always supplied + emergency only output "AS+EO").

*Requires EOS optional accessory

EOS optional accessory

The EOS (Emergency Only Switch) accessory is required whenever one part of the load must always be supplied (always supplied output "AS"), and one part must be supplied only when mains power fails (emergency only

output "EO"), in order to create the operating mode described in point D. By connecting several EOS accessories in a cascade configuration it is also possible to provide for the sequential delayed switching on of loads in order to reduce inrush switching on currents.

CSS 1h models	6 1 ph	10 1 ph	15 1 ph	10 3 ph	15 3 ph	20 3 ph	30 3 ph	40 3 ph	60 3 ph	80 3 ph	100 3 ph
INPUT											
Nominal voltage	220 - 230 - 240 Vac 1 ph 380 - 400 - 415 Vac 3 ph + N			380 - 400 - 415 Vac 3 ph + N							
Nominal frequency	50/60 Hz										
Frequency tolerance	40 - 72 Hz										
BYPASS											
Nominal voltage	220 - 230 - 240 Vac 1 ph			380 - 400 - 415 Vac 3 ph + N							
Number of phases	1			3 + N							
Voltage tolerance	180 - 264 V (selectable)										
Nominal frequency	50 or 60 Hz (selectable)										
Frequency tolerance	±5 (selectable)										
OUTPUT											
Nominal power (kVA)	6	10	15	10	15	20	30	40	60	80	100
Active power (kW)	5,4	9	13,5	9	13,5	18	27	36	54	72	90
Power factor	0,9										
Number of phases	1			3 + N							
Nominal voltage	220 - 230 - 240 Vac 1 ph			380 - 400 - 415 Vac 3 ph + N							
Static variation	± 1%										
Dynamic variation	± 3%										
Crest factor	3 : 1 I _{peak} /I _{rms}										
Voltage distortion	≤ 1% with linear load / ≤ 3% with non-linear load										
Frequency	50/60 Hz										
Frequency stability during battery operation	0,01%										
Overload	120% continuous, 132% 10 min, 160% 1 min, 180% 5 s										
BATTERIES											
Type	VRLA AGM/GEL 10 years (external)										
Recharge time	80% of full autonomy in 12 hours										
Typical recharge current	0,2 x C ₁₀										
Temperature compensation	-0,5 V/°C										
INFO FOR INSTALLATION											
Weight without batteries (kg)	107	112	122	112	122	138	148	194	204	224	250
Dimensions (WxDxH) (mm)	440 x 850 x 1320							500 x 850 x 1600			650 x 840 x 1600
Communications	3 slots for communications interface / USB / RS232										
Operating temperature	0°C / +40°C										
Relative humidity	90% non-condensing										
Colour	Dark grey RAL 7016										
Noise level at 1 m [dBA±2] (Smart Active)	< 40 dBA							< 63 dBA			
IP rating	IP20										
Smart Active efficiency	up to 99%										
Standards	EN 50171 - European Directives: L V 2006/95/CE low voltage Directive EMC 2004/108/CE electromagnetic compatibility Directive Standards: Safety IEC EN 62040-1; EMC IEC EN 62040-2 C2 Classification in accordance with IEC 62040-3 (Voltage Frequency Independent) VFI - SS - 111										
Moving the CSS	castors (6 - 80 kVA) / transpallet (100 kVA)										



CSS 3h models	6 1 ph	10 1 ph	15 1 ph	10 3 ph	15 3 ph	20 3 ph	30 3 ph	40 3 ph	60 3 ph	80 3 ph	100 3 ph	
INPUT												
Nominal voltage	380 - 400 - 415 Vac three-phase											
Nominal frequency	50/60 Hz											
Frequency tolerance	40 - 72 Hz											
BYPASS												
Nominal voltage	220 - 230 - 240 Vac 1 ph			380 - 400 - 415 Vac 3 ph + N								
Number of phases	1			3								
Voltage tolerance	± 5% ÷ ± 25%											
Nominal frequency	50 or 60 Hz (selectable)											
Frequency tolerance	± 1% ÷ ± 6%											
OUTPUT												
Nominal power (kVA)	6	10	15	10	15	20	30	40	60	80	100	
Active power (kW)	5,4	9	13,5	9	13,5	18	27	36	54	72	90	
Power factor	0,9											
Number of phases	1			3 + N								
Nominal voltage	220 - 230 - 240 Vac 1 ph			380 - 400 - 415 Vac 3 ph + N								
Static variation	± 1%											
Dynamic variation	± 3%											
Crest factor	3 : 1 I _{peak} /I _{rms}											
Voltage distortion	≤ 1% with linear load / ≤ 3% with non-linear load											
Frequency	50/60 Hz											
Frequency stability during battery operation	0,05%											
Overload	120% continuous, 130% 60 min, 145% 10 min, 170% 1 s											
BATTERIES												
Type	VRLA AGM/GEL; NiCd; Li-ion 10 years (external)											
Recharge time	80% of full autonomy in 12 hours											
Typical recharge current	0,2 × C ₁₀											
Temperature compensation	-0,5 V/°C											
INFO FOR INSTALLATION												
Weight without batteries (kg)	200	220	230	241	256	315	335	460	540	600	610	
Dimensions (WxDxH) (mm)	555 x 740 x 1400							800 x 740 x 1400		800 x 800 x 1900		
Communications	2 slots for communications interface / 2 RS232 / dry contacts											
Operating temperature	0°C / +40°C											
Relative humidity	90% non-condensing											
Colour	Dark grey RAL 7016											
Noise level at 1 m	60 dBA					62 dBA			65 dBA	68 dBA		
IP rating	IP20											
Smart Active efficiency	up to 98%											
Standards	EN 50171 - European Directives: L V 2006/95/CE low voltage Directive EMC 2004/108/CE electromagnetic compatibility Directive Standards: Safety IEC EN 62040-1; EMC IEC EN 62040-2 C2 Classification in accordance with IEC 62040-3 (Voltage Frequency Independent) VFI - SS - 111											
Moving the CSS	transpallet											



Transfer Systems



Multi Switch

1:1 16 A



Plug & Play installation



HIGHLIGHTS

- Redundant power supply
- Load protection
- Versatile to use

The Riello UPS Multi Switch is a high availability and versatile intelligent switch that provides redundant power to connected equipment with two AC input sources. The Riello UPS Multi Switch supplies power to the connected loads from a primary mains source. If that primary source becomes unavailable, the Riello UPS Multi Switch automatically transfers loads to the secondary source. The transfer time from one source according to the ITI (CBEMA) chart does not impact the operation of the connected equipment as the switching occurs safely between the two input sources regardless of any phase differences. The Riello UPS Multi Switch monitors the current and provides warnings when power consumption draws near the maximum rating which helps prevent downtime to the equipment. Riello UPS Multi Switch has 8 independent IEC 10 A outlets allowing several devices can be plugged directly into the Rack without the need for an additional Rack PDU. The units have a connectivity slot which allows for LAN connection and remote management through PowerShield3 software, Web interface, SNMP,

or SSH which makes the Riello UPS Multi Switch an ideal device for the IT manager who needs flexibility and protection for their IT equipment.

Multi Switch provides installations with power supply continuity. Its operating principle ensures higher reliability than a single UPS, (with or without its own internal bypass).

Operating principle

Multi Switch provides direct distribution of eight 10 A IEC outlets in a system with two input powerlines (two mains inputs, or two UPS).

Multi Switch is able to connect to either of the two input power lines, whilst simultaneously monitoring the power uptake.

Protection against load faults

If one of the loads fails (e.g. short circuit), Multi Switch disconnects the group of sockets where the load is connected, thus preventing other loads from being switched off (i.e. in the event of poor discrimination of the protection devices).

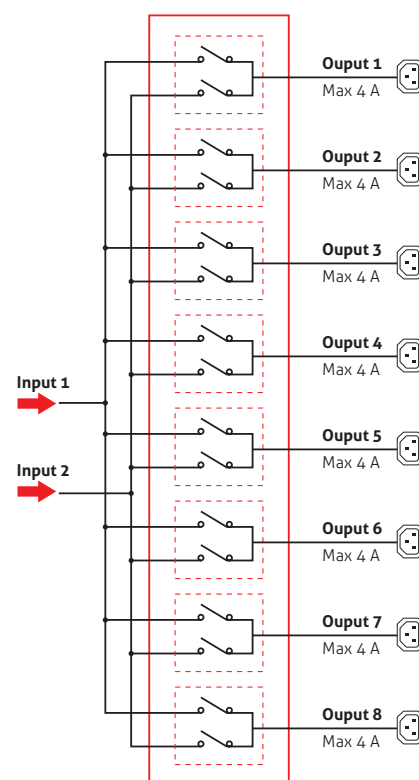
Protection against power supply faults

If one of the two power sources falls outside tolerance levels, Multi Switch will transfer the load to the second powersource (switching is instantaneous if the two sources are in phase).

Multi Switch units switch power with no impact to IT equipment. Per the ITI Curve, typical power supplies will operate 20ms

after AC voltage drops to zero. The IEEE 1100-1999 standard also references the ITI curve. The SSI (Server System Infrastructure) standard recommends a hold-up time for power supplies to be a minimum of 21ms for a voltage range of 100-240V.

Multi Switch units switch sources under these



industry standard times.

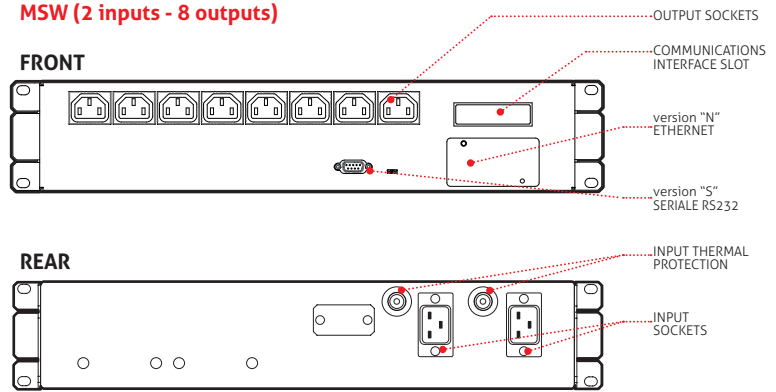
The switching time includes the time for the built-in intelligence to determine whether the voltage and frequency are in range. Any point of failure in the electronics does not cause a drop out of the output voltage because the unit incorporates redundancy of its electronic circuitry to avoid fault tolerance.

Features

- Full protection for loads against mains and load failures
- Redundant power supply
- Versatile to use: Multi Switch can be powered with 2 different power supplies (including 2UPS of different sizes/types)
- 19" cabinet installation
- LCD Display panel
- Can be connected to PowerNetGuard supervision software
- No signal connection between the MultiSwitch and the power sources or loads is necessary

DETAILS

MSW (2 inputs - 8 outputs)



OPTIONS

- Slot for communications boards: the optional network card allows for remote in network connectivity, and management through HTTP, SNMP, and SSH protocol.

SOFTWARE

PowerNetGuard

ACCESSORIES

NETMAN 204

MODELS	MSW
NOMINAL CURRENT (A)	16
INPUT	
Nominal voltage - sources S1/S2	230 Vac single-phase + N
Input voltage tolerance	180-276 Vac (selectable)
Switched input phases	ph+N (two poles)
Nominal frequency	50/60 Hz
Input sockets	2 IEC 320 (16 A)
OPERATING SPECIFICATIONS	
Transfer type	"Break Before Make" (no overlapping sources)
Transfer time following source failure	< 8 msec (S1/S2 synchronised) 20 msec (S1/S2 non synchronised)
OUTPUT	
Nominal voltage	choice of one of the two input power sources
Max. load for each output	4 A
Output sockets	8 IEC 320 10 A
ENVIRONMENTAL SPECIFICATIONS	
Efficiency at full load	> 99%
Noise at 1 m from front (from 0 to full load)	< 35 dBA
Storage temperature	-10 °C up to +50 °C
Operating temperature	0 °C - 40 °C
Relative humidity	90% non-condensing
Max. installation height	1000 m at nominal power (-1% power for every 100 m above 1000 m) - Max 4000 m
Reference standard	EN 62310-1 (safety) EN 62310-2 (electro-magnetic compatibility)
INFO FOR INSTALLATION	
Weight (kg)	10
Dimensions (WxDxH) (mm)	19" x 360 x 2U
Colour	RAL 5004
IP rating	IP 20
Communications	RS232 / Slot for communication interface



DATACENTRE

Multi Switch ATS

1:1 16 A



Plug & Play
installation



HIGHLIGHTS

- **Redundant power supply**
- **Load protection**
- **Versatile to use**

The Riello UPS Multi Switch ATS is a high availability intelligent switch that provides redundant power to connected equipment with two AC input sources. The Riello UPS Multi Switch ATS supplies power to the connected loads from a primary mains source. If that primary source becomes unavailable, the Riello UPS Multi Switch automatically transfers loads to the secondary source. The transfer time from one source according the ITI (CBEMA) chart does not impact the operation of the connected equipment as the switching occurs safely between the two input sources regardless of any phase differences. The Riello UPS Multi Switch ATS monitors the current and provides warnings when power consumption draws near the maximum rating which helps prevent downtime to the equipment.

Riello UPS Multi Switch ATS has 8 IEC 10 A and 1 IEC 16 A outlets allowing several devices to be plugged directly into the ATS without the need for an additional PDU. The units have a connectivity slot which allows for LAN connection and remote management through PowerShield3 software, Web

interface, SNMP, or SSH which makes the Riello UPS Multi Switch ATS an ideal device for the IT manager who needs flexibility and protection of their IT equipment. Multi Switch ATS provides installations with power supply continuity. Its operating principle ensures higher reliability than a single UPS, (with or without its own internal bypass).

Operating principle

Multi Switch ATS provides direct distribution of eight 10 A IEC outlets or one 16 A IEC outlet in a system with two input powerlines (two mains inputs, or two UPS). Multi Switch ATS is able to connect to either of the two input power lines, whilst simultaneously monitoring the power uptake.

Protection against load faults

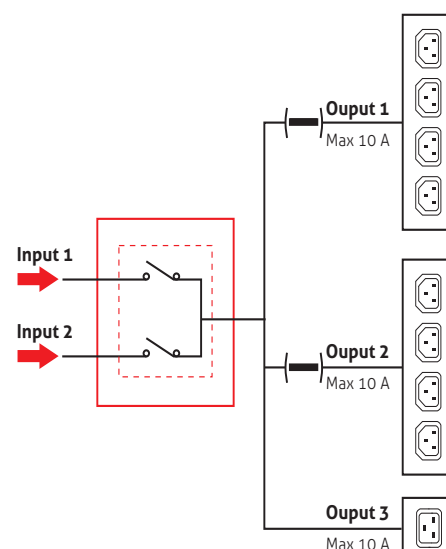
If one of the loads fails (e.g. short circuit), the Multi Switch ATS disconnects the group of sockets where the load is connected, thus preventing other loads from being switched off (i.e. in the event of poor discrimination of the protection devices).

Protection against power supply faults

If one of the two power sources falls outside tolerance levels, Multi Switch ATS will transfer the load to the second powersource (switching is instantaneous if the two sources are in phase).

Multi Switch ATS units switch power with no impact to IT equipment. Per the ITI Curve, typical power supplies will operate 20ms

after AC voltage drops to zero. The IEEE 1100-1999 standard also references the ITI curve. The SSI (Server System Infrastructure) standard recommends a hold-up time for power supplies to be a minimum of 21ms for a voltage range of 100-240V. Multi Switch ATS units switch sources under these industry standard times. The switching time includes the time for the built-in intelligence to determine whether the voltage and frequency are in range. Any point of failure in the electronics does not cause a drop out of the output voltage because the unit incorporates redundancy of its electronic circuitry to avoid fault tolerance.



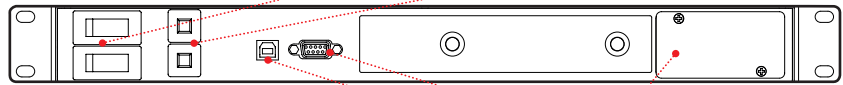
Features

- Full protection for loads against mains and load failures
- Redundant power supply
- Versatile to use: Multi Switch ATS can be powered with 2 different power supplies (including 2UPS of different sizes/types)
- 19" cabinet installation
- Display panel
- Can be connected to PowerNetGuard supervision software
- No signal connection between the MultiSwitch ATS and the power sources or loads is necessary
- Compatible with PowerShield³ software
- Slot for communications boards: the optional network card allows for remote in network connectivity, and management through HTTP, SNMP, and SSH protocol.

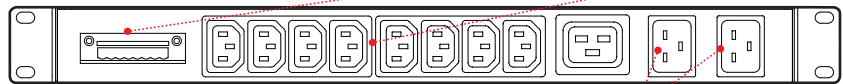
DETAILS

MTA

FRONT



REAR



OPTIONS

SOFTWARE

PowerShield³

ACCESSORIES

NETMAN 204

MULTICOM 302

MULTICOM 352

MODELS

NOMINAL CURRENT (A)

INPUT

Nominal voltage - sources S1/S2

Input voltage tolerance

Switched input phases

Nominal frequency

Input sockets

OPERATING SPECIFICATIONS

Transfer type

Transfer time following source failure

OUTPUT

Nominal voltage

Max. load for each output

Output sockets

ENVIRONMENTAL SPECIFICATIONS

Efficiency at full load

Noise at 1 m from front (from 0 to full load)

Storage temperature

Operating temperature

Relative humidity

Max. installation height

Reference standard

INFO FOR INSTALLATION

Weight (kg)

Dimensions (WxDxH) (mm)

Colour

IP rating

Communications

MTA

16

230 Vac single-phase + N

180-276 Vac (selectable)

ph+N (two poles)

50/60 Hz

2 IEC 320 (16 A)

"Break Before Make" (no overlapping sources)

< 8 msec (S1/S2 synchronised) 20 msec (S1/S2 non synchronised)

choice of one of the two input power sources

10 A on IEC-320 C13 - 16 A on IEC-320 C19

4+4 IEC-320 C13 (10 A) + 1 IEC-320 C19 (16 A)

> 99%

< 35 dBA

-10 °C up to +50 °C

0 °C - 40 °C

90% non-condensing

1000 m at nominal power (-1% power for every 100 m above 1000 m) - Max 4000 m

EN 62310-1 (safety) EN 62310-2 (electro-magnetic compatibility)

6

19" x 330 x 1U

RAL 5004

IP 20

RS232 / USB / Slot for communication interface / Relay contacts port



DATACENTRE



E-MEDICAL



INDUSTRY



TRANSPORT

Master Switch STS *Single-phase*

1:1 32-63-120 A



Plug & Play installation

HIGHLIGHTS

- **Operating flexibility**
- **Load protection**
- **Complete diagnostics**
- **Hot Swap function**

Master Switch Single-phase (MMS) is part of the Master Switch range and offers solutions suitable for protecting single-phase loads with different power ratings. MMS is available in three sizes - 32, 63 and 120 A - and is therefore able to satisfy various requirements for the protection of single-phase loads.

Flexibility of use

All MMS versions are designed with criteria that facilitate on-site installation as well as diagnostics, control and maintenance operations. All models are equipped with a manual bypass and the hot swap function allows for rapid corrective interventions by non-specialised personnel in the event of faults.

Load protection

With MMS transfer switch loads are protected against critical environmental situations and mains power interference. Microprocessor control and the use of thyristor static switches ensure continuous monitoring of the power supply sources and reduced switching times between the two sources in the event of a fault.

The constant monitoring of the output current allows for the rapid identification of any short circuit currents in the consumers, preventing short circuits from propagating to other loads.

MMS is equipped with thermal-magnetic protection for the two sources, ensuring rapid intervention in the event of faults and integrated back feed protection.

MMS ensures switching times between the two power sources of less than a quarter of a cycle, both in the event of manual switching and in the event automatic switching triggered by a fault in the power source.

Complete diagnostics

All MMS versions are equipped with 32-character LCD displays and control panels with multi-function keys. This allows for rapid and intuitive monitoring of supply readings, switch status and environmental conditions. MMS is equipped with three standard programmable dry contacts, an input for emergency shutdown, a 232 serial connection and a slot for housing the expansion board, thus ensuring complete availability of interface solutions for remote control and monitoring.



MODELS	MMS 32	MMS 63	MMS 120
NOMINAL CURRENT (A)	32	63	120
INPUT			
Nominal voltage - sources S1/S2	220 - 230 - 240 Vac single-phase + N		
Input voltage tolerance	180-264 Vac (selectable)		
Switched input phases	ph+N (two poles)		
Nominal frequency	50/60 Hz		
Input frequency tolerance range	+/-10% (selectable)		
Distribution compatibility	IT, TT, TNS, TNC		
OPERATING SPECIFICATIONS			
Transfer type	"Break Before Make" (no overlapping sources)		
Intervention method in the event of failure	hot swap function		
Available transfer methods	Automatic / Manual / Remote		
Transfer time following source failure	< 4 msec (S1/S2 synchronised) 10 msec (S1/S2 non synchronised)		
ENVIRONMENTAL SPECIFICATIONS			
Efficiency at full load	> 99%		
Noise at 1 m from front (from 0 to full load)	< 40 dBA		
Storage temperature	-10 °C up to +50 °C		
Operating temperature	0 °C - 40 °C		
Relative humidity	90% non-condensing		
Max. installation height	1000 m at nominal power (-1% power for every 100 m above 1000 m) - Max 4000 m		
Reference standard	EN 62310-1 (safety) EN 62310-2 (electro-magnetic compatibility)		
INFO FOR INSTALLATION			
Weight (kg)	10	12	20
Dimensions (WxDxH) (mm)	19" x 520 x 2U		19" x 520 x 3U
Colour	RAL 7016		
IP rating	IP 20		

OPTIONS

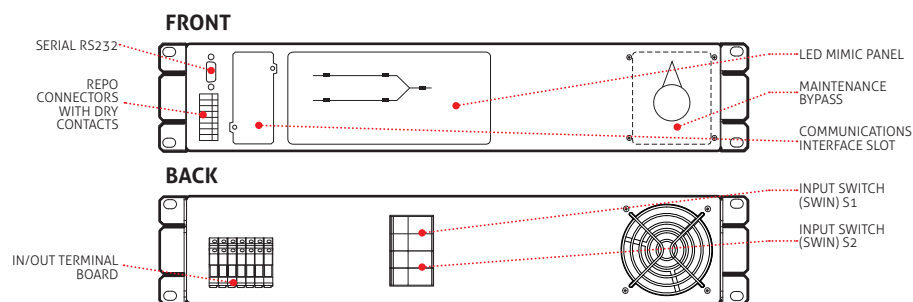
SOFTWARE

PowerShield³
PowerNetGuard

ACCESSORIES

NETMAN 204
MULTICOM 302
MULTICOM 352

DIAGRAM



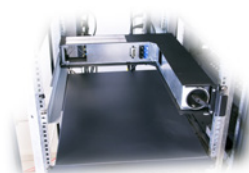
Hot swap replacement:



Carry out manual bypass operation on faulty unit selecting S1 or S2



Remove the screws placed on left/right side and extract the unit



Replace the faulty unit with a new one



Fix the parts, follow start up procedure and return back from manual bypass

All operations are carefully described on operating manual.



DATACENTRE



E-MEDICAL



TRANSPORT



EMERGENCY

Master Switch STS *Three-phase*

3:3 100-600 A



Service
1st start

HIGHLIGHTS

- **High reliability**
- **Hot Replacement function**
- **3- or 4-pole version**
- **Advanced communications**

Installing a Master Switch static transfer switch provides additional resilience and protection from the disruption that can be caused by the failure of a single power source.

The result is the absolute protection of industrial utilities and critical information technology against power supply and load faults.

Operating principle

Master Switch guarantees a source of redundant power, allowing the load to be switched between to alternative and independent power sources. Switching can be automatic (when a supply source falls outside of acceptable

tolerances) or manually done by an operator from the front panel or remotely.

Protection against power supply faults

If one of the two power sources falls outside tolerance levels, Master Switch will transfer the consumers to the second power source (switching is instantaneous if the two sources are in phase).

Protection against environmental disturbances

Overloads and load faults

In the event of an overload, the user can decide the level of intervention of the internal protection devices in order to block

the power supply. In the extreme case of a downstream short circuit, Master Switch disconnects the load in order to avoid jeopardising the operation of the other loads (i.e. in the event of poor selectivity of the protection devices).

Total microprocessor control

Microprocessor control logic ensures:

- Fast and safe switching between power sources
- Monitoring of all parameters via LCD display
- Constant monitoring of SCR operation
- Advanced remote diagnostics (RS232 and TCP/IP).

Redundant design

Power is supplied to the internal logic by two physically separate supply circuits that are fully independent and that can be replaced in **"hot replacement"** mode without causing power supply interruptions to the load. In the event that the power supplied by both sources fails, full system operation is guaranteed by the **"Power Supply back up"** function, which provides auxiliary power supply to the circuits from an external, independent power source. Master Switch is equipped with a dual redundant ventilation system known as: **"fan redundancy plus"**. Thanks to this feature, and in the unlikely event that two fans fail at the same time, those remaining would still be able to dissipate the heat generated at nominal load and with an ambient temperature of up to 40° C. Also the fans can be replaced in **"hot replacement"** mode, ensuring continuity during the replacement operation.

Superior protection

In the event of an output short circuit, Master Switch blocks the transfer between the two power sources, eliminating the risk of propagating the short circuit and its effects to the other loads. A back feed control circuit ensures the

automatic intervention of the protection devices when a return of power to one of the two Master Switch inputs is detected.

Accessibility

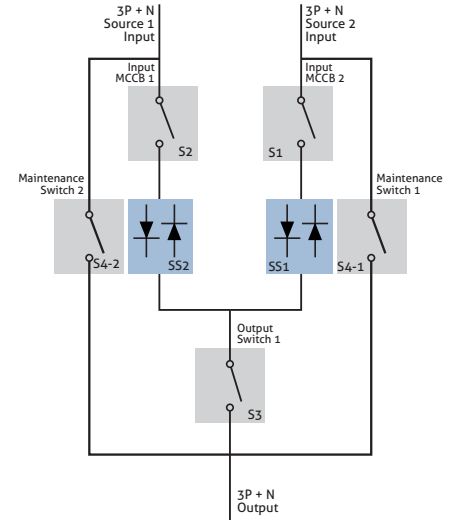
The layout of the moving components and parts is designed to ensure easy frontal access:

- power cable connections that are easily accessed with entry from below
- boards housed in a dedicated area for rapid diagnosis / replacement
- all parts subject to monitoring, maintenance and/or replacement.

Advanced communications

Master Switch provides information, measurements, statuses, and alarms via the LCD display.

The STS is compatible with PowerShield³ supervision and shutdown software for Windows operating systems 8, 7, Hyper-V, 2012, 2008, and previous versions, Mac OS X, Linux, VMWare ESXi, Citrix XenServer and other Unix operating systems.



OPTIONS

SOFTWARE

PowerShield³

ACCESSORIES

NETMAN 204 + Communication card adapter

MULTICOM 302 + Communication card adapter

MULTICOM 352 + Communication card adapter

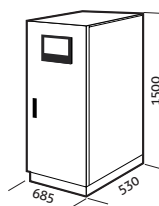
PRODUCT ACCESSORIES

"no neutral on input" kit

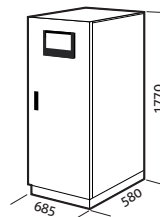
IP rating IP31

DIMENSIONS

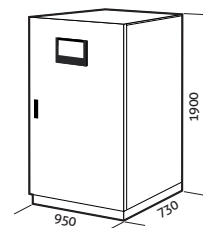
MTS 100
MTS 150



MTS 200 - MTS 250
MTS 300 - MTS 400

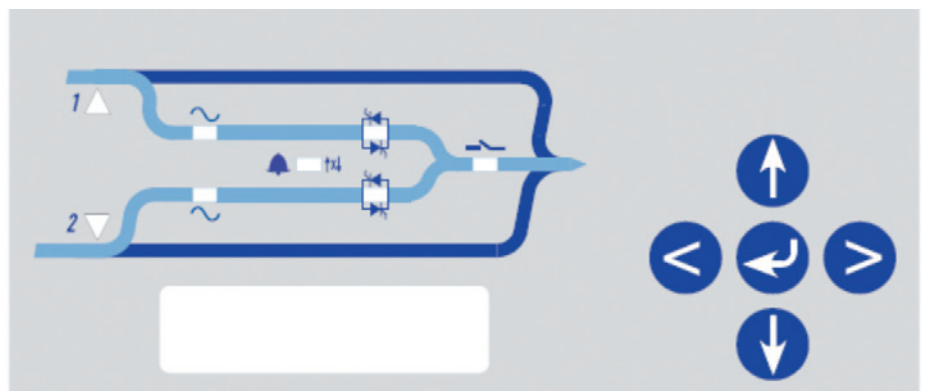


MTS 600



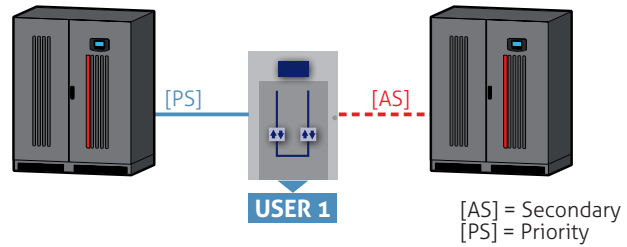
LEDs	FUNCTION
L1	S1 Priority Source
L2	S2 Priority Source
L3	S1 Present
L4	S2 Present
L5	Static transfer switch SS1 closed
L6	Static transfer switch SS2 closed
L7	Alarm indicator
L8	Output selector ON/OFF

5 function keys and LCD operation



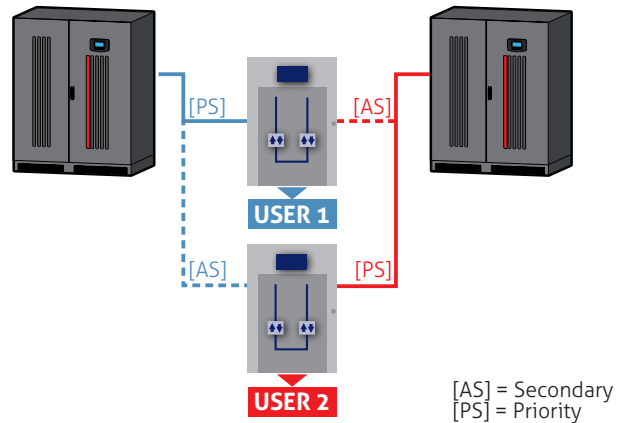
MASTER SWITCH IN REDUNDANT MODE

The secondary power source [AS], although highly reliable, only powers the load in the event of a failure with the priority power source [PS], ensuring maximum redundancy and power quality to the loads.



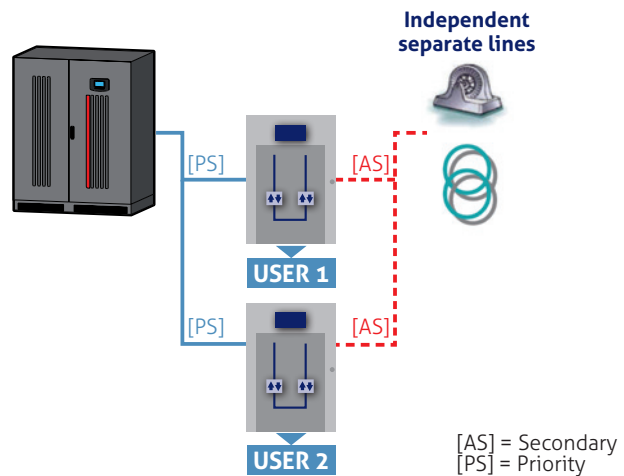
MASTER SWITCH IN CROSS FEEDING MODE

The two sources power critical loads using Master Switches configured to selected one of the two power sources as the priority source [PS]. In case of a failure in one of two sources, the other will be able to supply power to all the loads connected to the system).



MASTER SWITCH IN BACK-UP MODE

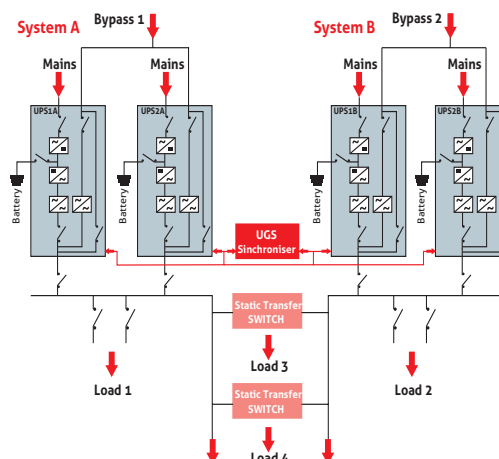
Master Switches power utilities via the priority energy source [PS]; the secondary energy source [AS] is made up of independent, separate power sources and to make up for any faults in the priority power source [PS].



DYNAMIC DUAL BUS CONFIGURATION

The Riello UPS solution guarantees maximum reliability and ensures continuity of power supply under all operating conditions thanks to the UGS option that keeps the two systems, A and B, perfectly synchronised.

The flexibility of the UGS system ensures synchronism between the sources even when one of the two systems is not a Riello UPS model, but made by another manufacturer, or when the input sources are not from uninterruptible power supplies.



MODELS	MTS 100	MTS 150	MTS 200	MTS 250	MTS 300	MTS 400	MTS 600
NOMINAL CURRENT	100 A	150 A	200 A	250 A	300 A	400 A	600 A
INPUT							
Nominal voltage - sources S1/S2	380 - 400 - 415 Vac three-phase + N						
Input voltage tolerance	180-264 Vac (selectable)						
Switched input phases	3+N (4-pole) - 3 (3-pole)						
Nominal frequency	50/60 Hz						
Input frequency tolerance range	+/-10% (selectable)						
Distribution compatibility	IT, TT, TNS, TNC						
OPERATING SPECIFICATIONS							
Transfer type	"Break Before Make" (no overlapping sources)						
Available transfer methods	Automatic / Manual / Remote						
Transfer time following source failure	< 4 msec (S1/S2 synchronised) 10 msec (S1/S2 non synchronised)						
ENVIRONMENTAL SPECIFICATIONS							
Efficiency at full load	> 99%						
Noise at 1 m from front (from 0 to full load)	55 dBA	55 dBA	55 dBA	55 dBA	55 dBA	55 dBA	57 dBA
Storage temperature	-10 °C up to +50 °C						
Operating temperature	0 °C - 40 °C						
Relative humidity	95% non-condensing						
Max. installation height	1000 m at nominal power (-1% power for every 100 m above 1000 m) - Max 4000 m						
Reference standard	EN 62310-1 (safety) EN 62310-2 (electro-magnetic compatibility)						
INFO FOR INSTALLATION							
Weight (kg)	155	160	205	210	235	240	375
Dimensions (WxDxH) (mm)	685 x 530 x 1500		685 x 580 x 1770				950 x 730 x 1900
Colour	RAL 7016						
IP rating	IP 20						
Moving the STS	transpallet						

Master Static Bypass



DATA CENTRE



INDUSTRY



TRANSPORT

3:3 800-3000 kVA



Service
1st start

HIGHLIGHTS

- **Flexibility**
- **The ideal solution for installations with UPS in parallel greater than 1 MVA**
- **High system reliability**
- **Centralised diagnostics**

The centralised bypass is an alternative to the distributed bypass. Technically the two solutions fulfil the same purpose, i.e. to guarantee power continuity, but have different architectures.

Whilst it is true that distributed bypass solutions are the most common due to their flexibility of use and low initial cost, it is also true that in the medium/large data centre market centralised bypass solutions are preferable in terms of technical performance, footprint and sometimes cost, above all in large installations where the number and type of protections as well as system wiring have an impact. The data centre and data-storage market in general is destined for large growth. It is therefore important to respond to the

various requirements with flexible solutions that are able to adapt to the growing demands of the market in terms of the levels of power and performance required.

Flexibility

The Riello UPS centralised bypass (named MSB) is available in four standard power ratings: 800, 1200, 2000 and 3000 kVA. Intermediate solutions within this range can be made, as well as solutions greater than 3000 kVA based on the requirements of the customer or application. The MSB centralised bypass can be integrated with the Master HP range; in fact it can be associated with up to 7 UPS modules in the range, obviously without static bypass and associated bypass line

(named MHU). Based on requirements, MSB can also be compatible with the Master MPS range, thus ensuring complete flexibility aimed at satisfying all power and power supply requirements.

Riello UPS provides the same flexibility as the Master HP for the battery bus, so that the MHU units can operate with both shared or separate batteries.

The 800 kVA MSB is supplied with a comprehensive cabinet including bypass line input switch (SWBY), system output switch (SWOUT) and manual bypass (SWMB). The 1200 kVA model is supplied as standard without any switches but can be equipped with the same, suitably proportioned, switches provided for the 800 kVA model (SWBY, SWOUT, SWMB).

The more powerful models are supplied with no switches; the bulky sizes of disconnection devices at these power levels are such as to favour tailor-made engineering solutions as an additional part of the system attestation and distribution cabinets where the centralised bypass and MHU modules are fitted.

The ideal solution for installations with UPS in parallel greater than 1 MVA

Medium-high power systems are often comprised of N UPS of small-medium power ratings arranged in parallel. It is clear that the larger the size of the individual UPS modules or the number of units configured in parallel, the more complex and extensive the system wiring shall be. Particular attention should be paid to the length of the power lines for the individual UPS bypasses, so that they are equidistant from

the common points. Even minimal variations in the line impedances of the individual bypasses can cause current equipartition problems between the UPS and associated overcurrent in the cables whenever they supply from the bypass. This can lead to the inappropriate cut-in of protection devices and can generate heat, with the end result of minimising power continuity and increasing power consumption for cooling the system. The Riello UPS centralised bypass (MSB) is the ideal solution for eliminating all critical issues connected with power distribution over bypass lines. When activated, all power flows through a single static bypass module, ensuring:

- High reliability
- Improved energy efficiency
- Exceptional ability to withstand short-circuits downstream of the system
- Centralised system control both with regards to accessibility to system information and with regards to manoeuvrability since the system is equipped with a single manual system bypass.

By opting for the solution with a centralised bypass, the individual MHU units are provided without integrated static bypasses, thus eliminating critical components (static circuit and associated line protections such as disconnectors and/or fuses). This translates into a lower installation cost by eliminating the cables for the auxiliary power supply lines to the individual modules.

These advantages grow exponentially as the power levels at play and number of modules increase. This is why the centralised bypass solution is technically and economically

preferable for power levels above one megawatt.

High system reliability

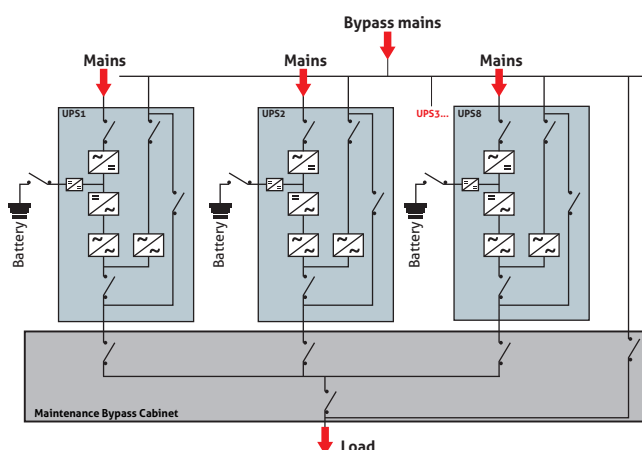
When compared to a solution with a distributed bypass and a considerable number of UPS modules arranged in parallel (more than 4), the MSB solution significantly reduces the amount of components (SCR, switches, control elements for individual static bypasses, coupling inductances), consequently increasing system reliability.

Power supply from bypass line: "On Line" mode

Recent design philosophies for data centres are pushing towards making systems operate on bypass lines not only in the event of an emergency, but as an alternative to "ON-Line" mode, thus improving system efficiency. For this reason power circulation through a single line (centralised bypass), eliminates all problems connected with current distribution, which must be ensured in the event of the operation of UPS modules in parallel with distributed by-passes. The greater the power rating of the UPS, the exponentially greater the risk of minimal impedance differences in the bypass lines generating large imbalances in current circulation, with a serious risk of protection cut-in, compromising power supply continuity. With the centralised bypass the static circuit is single and independent and the current flows through a single channel, ensuring immunity from interaction problems between individual UPS units.

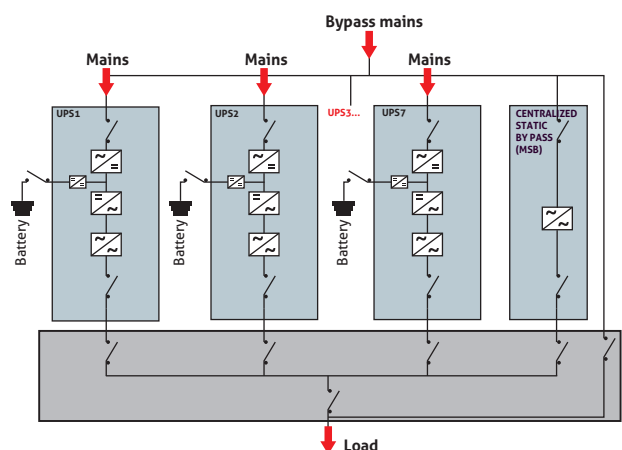
PARALLEL CONFIGURATION OF UP TO 8 UPS UNITS WITH DISTRIBUTED BYPASS

Parallel architecture to ensure redundancy of the power source.
+ Flexibility and modularity and no single point of failure.



PARALLEL CONFIGURATION OF UP TO 7 MHU UNITS WITH CENTRALISED BYPASS

Parallel architecture to ensure redundancy of the power source, with autonomous bypass management.
+ Selectivity of downstream faults in bypass mode



Power supply from bypass line: in an emergency

The static bypass is a support device aimed at ensuring power continuity in the event of inverter failure. In the event of N UPS configured in parallel the failure of a single inverter module should automatically exclude it from the parallel system, ensuring the correct operation of the other units and the reliability of the system.

For this reason automatic switching to bypass lines takes place only when there is a serious fault with the inverter or due to external forces, such as a short circuit downstream of the system. These events are both rapid and unpredictable and, based on the power available on the line, can generate short circuit currents that can be extremely high. In the event of distributed parallel configurations where N static by-passes are arranged in parallel, minimal differences (even in the order of fractions of a millisecond), can generate uncontrolled transients and current flow between UPS units such as to trigger protection devices or

even damage the bypass thyristors. Riello UPS are equipped with sophisticated parallel control logics that ensure synchronism between the various units arranged in parallel under all operating conditions. The Riello MSB centralised bypass in any case ensures complete immunity from any problem connected with switching synchronism between modules even in the most extreme cases as long as the static module is single and independent. In addition, differently from a distributed parallel configuration of the same power rating, the centralised bypass can be oversized to guarantee increased overload capacity and the ability to withstand short circuits. The ventilation system for the MSB static bypass is designed to guarantee operation even in the event of the failure of several fans. In order to constantly monitor the status of the fans, a control circuit can be provided to control the operation of each individual ventilation fan.

Centralised diagnostics

The use of the MSB centralised bypass centralises the diagnostics and control of the bypass line. The display provides information concerning the voltage and current supplied and the status of the individual UPS modules (MHU). Differently from a system with distributed bypass, the centralised bypass is equipped with a single disconnection device for the bypass line and can be provided with an integrated manual bypass. The single disconnection device guarantees that the manoeuvres are carried out quickly and with a minimum margin of error, guaranteeing once again improved system reliability. The MSB bypass provides dedicated housings for the various remote control systems such as: three-contact relay board (standard), two communications slots and full compatibility with the communications interfaces in the Riello UPS range for UPS in the MHT / MPT ranges.

OPTIONS

SOFTWARE

PowerShield³
PowerNetGuard

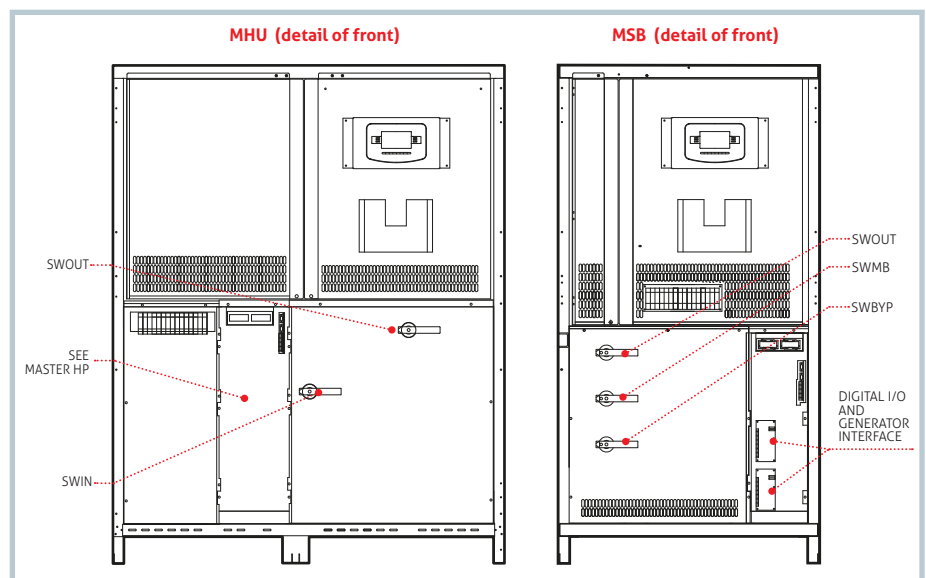
ACCESSORIES

NETMAN 204
MULTICOM 302
MULTICOM 352
MULTICOM 401
MULTI I/O
Interface kit AS400
MULTIPANEL
RTG 100
56K Modem
GSM Modem

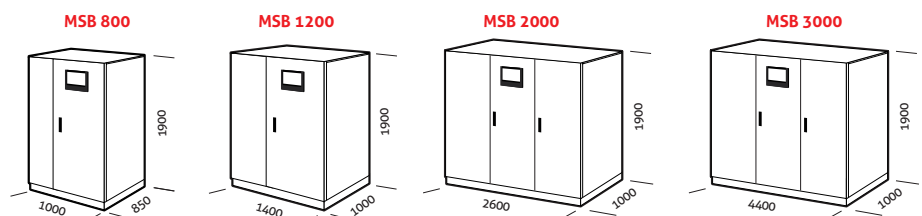
PRODUCT ACCESSORIES

Top Cable Entry cabinets
IP rating IP31/IP42
Manoeuvring switches
Digital I/O and Generator interface

DETAILS



DIMENSIONS



MODELS	MSB 800	MSB 1200	MSB 2000	MSB 3000
OPERATING SPECIFICATIONS				
Nominal power (kVA)	800	1200	2000	3000
Nominal voltage	380 - 400 - 415 Vac three-phase + N			
Input voltage tolerance	± 15% (selectable from ± 10% to ± 25% from front panel)			
Frequency	50/60 Hz			
Frequency tolerance	± 2% (selectable from ± 1% to ± 6% from front panel)			
Standard equipment provided	Back Feed protection			
Permitted overload*	110% for 60 min; 125% for 10 min; 150% for 1 min			
ENVIRONMENTAL SPECIFICATIONS				
Noise at 1 m from front (from 0 to full load)	< 65 dBA			
Storage temperature	-10 °C up to +50 °C			
Operating temperature	0 °C - 40 °C			
Relative humidity	90% non-condensing			
Max. installation height	1000 m at nominal power (-1% power for every 100 m above 1000 m) - Max 4000 m			
Reference standard	EN 62040-1 general safety requirements; IEC 62040-2 electromagnetic compatibility			
INFO FOR INSTALLATION				
Weight (kg)	570	800	1200	2400
Dimensions (WxDxH) (mm)	1000 x 850 x 1900	** 1400 x 1000 x 1900	2600 x 1000 x 1900	4400 x 1000 x 1900
Communications	Double RS232 + dry contacts + 2 slots for communications interface			
Colour	Dark grey RAL 7016			
IP rating	IP20 (others on request)			
Moving the UPS	transpallet			

* under certain conditions ** 1800 mm version with switches



Power Solutions

Power solutions

SuperCaps UPS

SOLUTIONS WITH SUPERCAPS



DATA CENTRE



E-MEDICAL



INDUSTRY



HIGHLIGHTS

CLEAN ENERGY

An eco-friendly, battery-free uninterruptible power system.

HIGH EFFICIENCY INNOVATIVE TECHNOLOGY

Modular expansion options for more power and runtime.

LONG OPERATING LIFE

5 to 10 times standard lead batteries

HIGH NUMBER OF CYCLES

Million vs. ca 300 of lead batteries

LOW MAINTENANCE COSTS

Easy to install and maintain.

HIGH WORKING TEMPERATURE

No need of cooling or heating systems

LOW FOOTPRINT & WEIGHT

SuperCaps module



SuperCaps UPS are a type of uninterruptible power supply developed by Riello UPS, which use super capacitors to accumulate energy instead of conventional batteries. Autonomy in the range of seconds (1 to 60 sec). The innovative Riello SuperCaps UPS are designed to provide complete power supply protection for sensitive and mission-critical loads, protecting them from mains disturbances and providing sufficient power to compensate for interruptions in mains supply. SuperCaps UPS are a type of uninterruptible power supply developed by Riello UPS, which use super capacitors to accumulate energy instead of conventional batteries.

Traditionally UPS rely on batteries for accumulating energy, but at least 87% of power supply interruptions last for less than a second⁽¹⁾. SuperCaps UPS provide greater energy efficiency, lower costs and reduced footprints – ideal for installations where floor space is at a premium.

At the heart of the Riello SuperCaps UPS is a sophisticated control system that manages the charge-discharge cycle of the super-capacitors and optimises their lifecycle, which may exceed a million cycles.

Their back-up time is dependent on the load but is sufficient to supply it until the mains power is restored or until reserve power from a generator starts automatically. Most UPS are installed as standard with batteries lasting 5-10 minutes to protect the load against generator start up failure. For modern data centres, electro-medical and industrial applications, an efficient generator set supported by a UPS with a relatively brief autonomy offers the most efficient and effective power continuity solution, with conventional batteries providing sufficient runtime to cover most power interruptions.

However, SuperCaps UPS do not have batteries and therefore provide long term savings in terms of battery installation, monitoring, maintenance, replacement and recycling costs. In addition, when compared to the 5-7 year lifecycle of standard batteries, SuperCaps UPS have a theoretically infinite lifecycle. These cost savings, along with the reduced footprint make SuperCaps UPS the ideal solution for critical installations that are particularly sensitive to short power supply interruptions.

⁽¹⁾ Electric Power Research Institute study

SENTINELPROSC

MODELS		SEP 700 SC	SEP 1000 SC	SEP 1500 SC	SEP 3000 SC
INPUT	Nominal voltage	220-230-240 Vac 1ph			
	Nominal frequency	50/60 Hz			
	Power factor	> 0,99			
	Current distortion	≤7%			
OUTPUT	Nominal power (VA)	700	1000	1500	3000
	Power (W)	560	800	1200	1780
	Nominal voltage	220-230-240 Vac 1ph			
BACKUP	Autonomy	16 s	11 s	7 s	11 s
	Recharge time (min)	15-30 min			
	Expandability	no	yes	no	yes
DATA	Net weight (kg)	8	8,1	9,2	17,6
	Dimensions (WxDxH) (mm)	422 x 235 x 158			446 x 333 x 190

SENTINELPOWERSC

MODELS		SPW 6000 SC	SPT 8000 SC	SPT 10000 SC
INPUT	Nominal voltage	220-230-240 Vac 1ph	220-230-240 Vac 1ph or 380-400-415 Vac 3ph	
	Nominal frequency	50/60 Hz		
	Power factor	> 0,99		
	Current distortion	≤5%		
OUTPUT	Nominal power (VA)	6000	8000	10000
	Power (W)	4800	6400	8000
	Nominal voltage	220-230-240 Vac 1ph		
BACKUP	Autonomy	11 s	9 s	7 s
	Recharge time	15-30 min		
DATA	Net weight (kg)	61	62	64
	Dimensions (WxDxH) (mm)	785 x 615 x 282		

MULTISENTRYSC

MODELS		MST 10 SC	MST 12 SC	MST 15 SC	MST 20 SC	MST 30 SC	MST 40 SC	MST 60 SC	MST 80 SC	MST 100 SC	MST 120 SC
INPUT	Nominal voltage	220-230-240 Vac 1ph / 380-400-415 Vac 3ph									
	Nominal frequency	50/60 Hz									
	Power factor	0,99									
	Current distortion	≤ 3%									
OUTPUT	Nominal power (VA)	10	12	15	20	30	40	60	80	100	120
	Power (W)	9	10,8	13,5	18	27	36	54	72	90	108
	Nominal voltage	220-230-240 Vac 1ph / 380-400-415 Vac 3ph									
BACKUP	Autonomy	21 s	17 s	14 s	10 s	14 s	9 s	7 s	15 s	11 s	20 s
	Recharge time	6-8 min									
DATA	Net weight (kg)	123	128	133	138	163	171	190*	200*	220*	380*
	Dimensions (WxDxH) (mm)	850 x 1320 x 440						850 x 1600 x 500			855 x 1900 x 750

* Supercaps are not included in the UPS cabinet

MASTERHPSC

contact our TEC service for configurations.

Power solutions

Master VDC

FLYWHEEL SOLUTIONS

3:3 100-600 kVA
modular



DATA CENTRE



E-MEDICAL



INDUSTRY



TRANSPORT



EMERGENCY



Flywheel compatible



Service 1st start

HIGHLIGHTS

CLEAN ENERGY

An eco-friendly, battery-free uninterruptible power system.

HIGH EFFICIENCY INNOVATIVE TECHNOLOGY

Modular expansion options for more power and runtime.

LONG OPERATING LIFE

20 year design life for the flywheel component compared with 7 years for a typical battery.

LOW MAINTENANCE COSTS

Easy to install and maintain.

Master VDC is a scalable system comprised of one or more UPS units and VDC-XE flywheels. Master VDC is ideal for modern ECO targeted data centres looking to achieve the lowest possible PUE ratios and highest levels of reliability.

Master VDC UPS provide a number of advantages over more traditional battery-equipped systems including: up to 99% efficiency, a compact footprint (up to 50% reduction), lower Total Cost of Ownership (TCO) and almost instantaneous recharge times. A single flywheel module provides sufficient runtime for the start-up of a local standby generator to power the UPS, which then provides a continuous quality power supply. The entire system can be scaled for reliable power (N+x) and increased runtime via the parallel operation of several UPS and/or flywheel modules (and a small battery pack if required, for additional reliability). In a standard configuration (1 x UPS and 1 x flywheel), the runtime available is more than

sufficient to allow the UPS to ride through short breaks in mains power.

Flywheel VDC-XE

Thanks to their extremely high levels of reliability, the VDC series of flywheel energy storage systems provide UPS with a secure and reliable source of power that forms the first line of defence against interruptions to the mains power supply; a fundamental defence for all mission critical applications. The VDC flywheel systems are fully independent standalone devices. They are designed for applications such as data centres, hospitals and industrial installations. They provide a clean source of back up power by converting the kinetic energy stored within a rotating mass into electrical power using a built-in IGBT-based converter. VDC series flywheels store kinetic energy in the form of a rotating mass (spinning at 36,000 RPM) within a vacuum-sealed container. The VDC build technology includes

MASTER VDC CONFIGURATION EXAMPLES

MODULARITY

MHF 100

100kVA UPS + VDC-XE FLYWHEEL + VDC-XE FLYWHEEL

Autonomy:
example with load at 100%:
42s, 1xVDC-XE
82s, 2xVDC-XE

MHF 300

300kVA UPS + VDC-XE FLYWHEEL + VDC-XE FLYWHEEL

Autonomy:
example with load at 50%:
27s, 1xVDC-XE
54s, 2xVDC-XE

REDUNDANCY (PARALLEL CONFIGURATIONS N+1)

MHF 300P

300kVA UPS + 300kVA UPS + VDC-XE FLYWHEEL + VDC-XE FLYWHEEL

N+1 Parallel UPS Configuration

Autonomy:
example with load at 50%:
54s, 2xVDC-XE
or 27s, 1xVDC-XE

BATTERY HARDENING

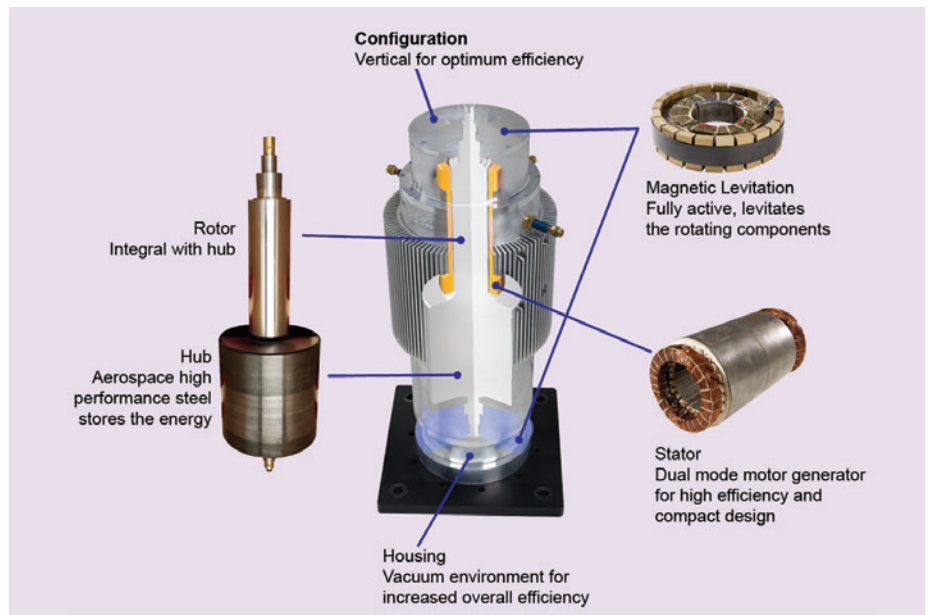
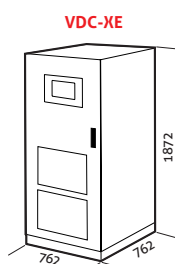
MHF 300

300kVA UPS + VDC-XE FLYWHEEL + BATTERY BOX

Autonomy:
example with load at 50%:
27s, 1xVDC-XE
Plus 10 minutes from an additional battery set

a rotor made from aerospace-grade steel, a high speed permanent magnet motor/generator and contact-free magnetic bearings that levitate and sustain the rotor during operation with no mechanical friction. These technical features allow VDC models to achieve very high levels of efficiency.

DIMENSIONS



MASTER VDC: UPS MODULE SPECIFICATIONS

MODELS	MHF 100	MHF 120	MHF 160	MHF 200	MHF 250	MHF 300	MHF 400	MHF 500	MHF 600
INPUT									
Nominal voltage	380 - 400 - 415 Vac three-phase								
Frequency	45 - 65 Hz								
Power factor	> 0,99								
Harmonic current distortion	<3% THDi								
Soft start	0 - 100% in 120" (selectable)								
Frequency tolerance	± 2% (selectable from ± 1% to ± 5% from front panel)								
Standard equipment provided	Back Feed protection; separable bypass line								
BATTERIES									
Type	Flywheels								
Ripple current	Zero								
Recharge voltage compensation	-0,5 Vx°C								
OUTPUT									
Nominal power (kVA)	100	120	160	200	250	300	400	500	600
Active power (kW)	90	108	144	180	225	270	360	450	540
Number of phases	3 + N								
Nominal voltage	380 - 400 - 415 Vac three-phase + N								
Static stability	± 1%								
Dynamic stability	± 5% in 10 ms								
Voltage distortion	< 1% with linear load / < 3% with non-linear load								
Crest factor	3:1 I _{peak} /I _{rms}								
Frequency stability on battery	0,05%								
Frequency	50 or 60 Hz (selectable)								
Overload	110% for 60'; 125% for 10'; 150% for 1'								
INFO FOR INSTALLATION									
Weight (kg)	656	700	800	910	1000	1400	1700	2100	2400
Dimensions (WxDxH) (mm)	800 x 850 x 1900		1000 x 850 x 1900			1500 x 1000 x 1900		2100 x 1000 x 1900	
Remote signals	dry contacts (configurable)								
Remote controls	ESD and bypass (configurable)								
Communications	Double RS232 + dry contacts + 2 slots for communications interface								
Ambient temperature	0°C / +40°C								
Relative humidity	<95% non-condensing								
Colour	Dark grey RAL 7016								
Noise level at 1 m	63 - 68 dBA				70 - 72 dBA			70 dBA	70 dBA
IP rating	IP20 (others on request)								
Smart Active efficiency	up to 98,5%								
Standards	Safety: EN 62040-1-1 (Directive 2006/95/EC); EMC: EN 62040-2 (Directive 2004/108/EC)								
Classification in accordance with IEC 62040-3	(Voltage Frequency Independent) VFI - SS - 111								
Moving the UPS	transpallet								

MASTER VDC: FLYWHEEL MODULE SPECIFICATIONS

MODEL	VDC-XE
POWER	
Maximum power	300 kW
Max. energy storage	4000 kWsec @ 100 kW
Flywheel rotation speed	from 14500 to 36750 rpm
INPUT	
Recharge voltage	400-600 Vdc
Recharge current	15-50 A (adjustable)
Efficiency	99.4% at max. power
OUTPUT	
Discharge voltage	400-520 Vdc (adjustable)
Voltage stability	+/- 1%
Voltage ripple	≤ 2%
INFO FOR INSTALLATION	
Ambient temperature	-20°C / +40°C
Relative humidity	95% non-condensing
Colour	Dark grey RAL 7016
Noise level at 1 m	≤ 68dBA
Dimensions (WxDxH) (mm)	762 x 762 x 1872
Weight (kg)	705
IP rating	IP 20
Standards	EMC EN 61000-6-4:2001; EMC EN 61000-6-2:2001; Safety EN 60204-1; Directives: 2004/108/EC; 98/37/EC

MASTER VDC: (FLYWHEEL ONLY) RUNTIME IN SECONDS

VDC-XE 300 kW		MHF 100	MHF 120	MHF 160	MHF 200	MHF 250	MHF 300	MHF 400	MHF 500	MHF 600
Number of FLYWHEELS	POWER	100	120	160	200	250	300	400	500	600
1	100%	40	33	22	15	9	5	-	-	-
2		79	65	49	39	30	24	14	8	-
3		118	98	73	58	46	38	28	20	14
4		156	129	97	77	61	51	38	30	23
5		195	162	121	97	77	60	48	38	31
Number of FLYWHEELS	POWER	100	120	160	200	250	300	400	500	600
1	75%	54	45	33	25	17	11	5	-	-
2		106	88	65	52	41	34	24	16	10
3		157	131	98	78	62	51	38	30	23
4		208	173	129	103	82	68	51	40	33
5		260	217	162	129	103	86	64	51	42
Number of FLYWHEELS	POWER	100	120	160	200	250	300	400	500	600
1	50%	82	68	51	40	32	25	11	5	4
2		159	132	99	79	63	52	39	30	23
3		237	197	147	118	94	78	58	46	38
4		313	260	195	156	124	103	77	61	51
5		391	326	244	195	156	129	97	77	64
Number of FLYWHEELS	POWER	100	120	160	200	250	300	400	500	600
1	25%	39	135	101	80	64	53	39	26	23
2		313	260	195	156	124	103	77	61	50
3		465	387	290	232	185	154	115	92	76
4		614	511	383	306	245	204	152	122	101
5		767	639	479	383	306	255	191	152	126

All runtimes refer to UPS with 0,9pf and 94% efficiency for 100%, 75% and 50% load, and 92% efficiency for 25% load. With no battery connected.



Software and accessories

Software

PowerShield³

SHUTDOWN SOFTWARE



PowerShield³ is available for download at www.riello-ups.com

HIGHLIGHTS

GRAPHIC MONITORING OF UPS AND ENVIRONMENTAL SENSOR STATUS

PowerShield³ is a simple but powerful UPS management tool. A graphic version is available for all operating systems.

DETAILED DISPLAY OF ALL UPS AND ENVIRONMENTAL SENSOR PARAMETERS

PowerShield³ provides all the information required for first level diagnostics.

EVENTS LOG AND GRAPHIC DISPLAY OF MAIN PARAMETERS

All changes in UPS operating states are logged, as well as the main physical values and parameters. These constantly recorded values are displayed in graphic format.

UPS CONTROL PROGRAMMING

This allows you to automate all the actions normally carried out by the user: turning the server on and off, UPS battery test, etc.

BLOCK DIAGRAM OF OPERATION

A display of UPS operation in the form of a block diagram makes the analysis of UPS operating states more intuitive.

PowerShield³ provides efficient, user-friendly UPS management, displaying all major operational information such as input voltage, applied load and battery charge. The software also provides detailed information on fault conditions and UPS operating states. Developed with a client/server architecture, it is the ideal tool for managing multi-platform network systems.

Features

- PowerShield³ free version: supports a single UPS for the operating systems highlighted in green.
- PowerShield³ full version: supports up to maximum of 32 UPS for all operating systems.
- With sequential and priority-based shutdown, PowerShield³ provides unattended shut-down of all networked

PCs, saving any active work on the most widely used applications. Users can define the shutdown priorities for the various computers in the network and can also customise the procedure.

- With multi-platform compatibility, PowerShield³ uses the TCP/IP communications protocol to achieve standardised management and monitoring across the widest possible range of platforms. This makes it possible to monitor computers with different operating systems from a single console, for example monitoring a UNIX server from a PC running Windows and also connecting to UPS located in different geographical areas using dedicated networks (intranets) or the Internet.
- With event scheduling, PowerShield³ users can program their own shutdown procedures, detailing power-off and power-up scenarios to increase system security and save energy.
- With messages management, PowerShield³ keeps users constantly informed about the status of UPS and environmental sensors, either locally or via network messages. A list can also be defined of users who should receive e-mails, faxes, voice messages and SMS messages when faults or sudden mains power supply failures occur.
- Integrated SNMP agent: PowerShield³ features an integrated SNMP agent for UPS management which can send all the information required and generate traps using the RFC1628 standard, and environmental sensors.
- Secure, easy to use and connect; communication is now password protected

to ensure UPS system security. Using the new discovery/ browsing function, all UPS connected to a protected computer and/or LAN can be displayed in a list format for monitoring. In the absence of a LAN connection, support is provided for modem-based communication.

Developed for virtualized systems

PowerShield³ permits to initiate live migration of virtual machines (VM) to automatically and transparently migrate VMs during power disturbance to protected devices by UPS with migration systems such as VMware vMotion™ and Microsoft Live Migration. PowerShield³ can monitor and manage UPS either inside or outside the data centre. Can also measure power consumption to help calculate power usage effectiveness (PUE), a the standard metric utilized for gauging data centre power efficiency.

Supported operating systems

- Windows 2000, 2003 Server, XP, Vista, 2008 Server, 7, 8, on X86, X86_64 and IA 64 processors
- Microsoft Hyper-V
- Microsoft SCVMM™
- Linux on X86, X86_64 and IA64 processors
- Novell Netware 3.x, 4.x, 5.x, 6
- Mac OS X
- VMWare ESX, ESXi.
- Citrix@ XenServer,
- Xen@ open source platforms
- The most common UNIX operating systems such as: IBM AIX, HP, SUN Solaris INTEL and SPARC, SCO Unixware and Open Server, Silicon Graphics IRIX, Compaq Tru64 UNIX and DEC UNIX, Open BSD UNIX and FreeBSD UNIX, NCR UNIX
- HP OPEN VMS.



PowerNetGuard

INVENTORY MANAGER SOFTWARE



PowerNetGuard is available for download at www.riello-ups.com

HIGHLIGHTS

GRAPHIC MONITORING OF UPS AND ENVIRONMENTAL SENSOR STATUS

PowerNetGuard is a simple but powerful UPS management and display tool. A graphic version is available for all operating systems.

DETAILED DISPLAY OF ALL UPS AND ENVIRONMENTAL SENSOR PARAMETERS

PowerNetGuard provides all the information required for first level diagnostics.

EVENTS LOG AND GRAPHIC DISPLAY OF MAIN PARAMETERS

All changes in UPS operating states are logged, as well as the main physical values and parameters. These constantly recorded values are displayed in graphic format.

CENTRALISED MANAGEMENT

PowerNetGuard is the ideal solution for managing all UPS in an infrastructure using a single application. With this one application you can monitor and manage all your UPS, ensuring prompt warnings in the event of faults or malfunctions.

SUPPORT FOR THIRD PARTY UPS

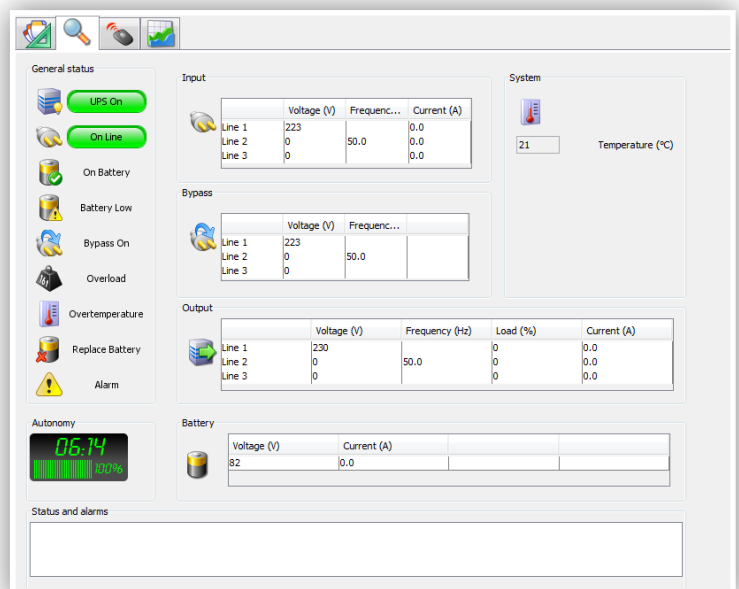
PowerNetGuard also allows you to manage UPS made by other manufacturers via SNMP using their own network boards. This allows you to centralise the management of the UPS fleet into a single system without the need for many different applications, simplifying management and use.

PowerNetGuard software centralises UPS management using network interface (SNMP) communications. It is ideal for Data Centre EDP managers and medium to large-sized networks. Using the RFC1628 Management Information Base (MIB), it ensures standardised management for all UPS compliant with this worldwide standard.

Features

- Centralised control of remote UPS via Ethernet with SNMP protocol
- Multi-level display of geographical areas, building plans, maps, etc.

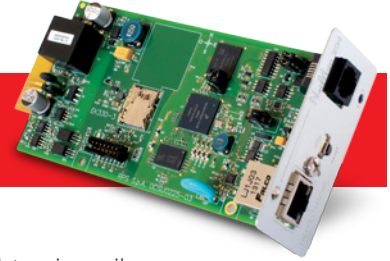
- Multi-user access with various security levels
- Compatible with NetMan and RFC1628 standard SNMP agents
- Creation of graphs of input and output values and data back-up to file
- Alarm notifications via e-mail and SMS
- Windows operating systems 8, 7, 2012, 2008, and previous versions, Mac OS X, Linux.



Accessories

NetMan 204

CARD - ETHERNET - SNMP



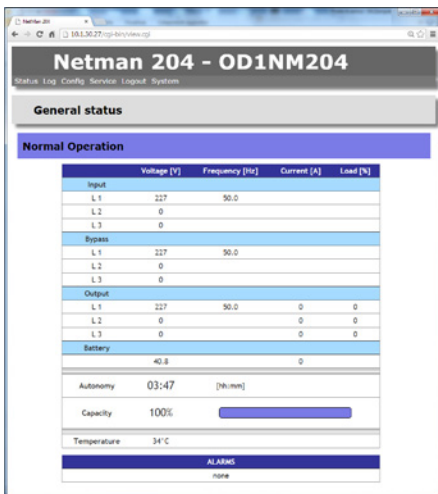
The NetMan 204 network agent allows UPS directly connected over LAN 10/100 Mb connections to be managed using the main network communication protocols (TCP/IP, HTTP and SNMP). It is the ideal solution for the integration of UPS over Ethernet networks with MODBUS/TCP or BACNET/IP protocols. It was developed to integrate UPS into medium-sized and large networks, to provide a high level of reliability in communication between the UPS and associated management systems.

Features

- 32bit RISC processor
- Compatible with 10/100 Mbps Ethernet and IPv4/6 networks
- wifi ready
- Compatible with PowerShield³ and TeleNetGuard
- SNMP v1 and v3 with RFC1628 for PowerNetGuard and NMS connection
- SNMP v1, v2 and v3 with RFC3433 for the management of environmental sensors
- HTTP for UPS control via web browser
- SMTP for alarm notifications and UPS status

updates via email

- MODBUS/TCP
- BACNET/IP
- Maximum expandability
- USB host for Pendrive USB connection
- Events log and data management
- Wake-on-LAN management for starting computers via TCP/IP network
- Other standards: DHCP, DNS, RARP, FTP, NTP, ICMP, IGMP
- Management of environmental sensors
- Configurable via Telnet or SSH sessions, and web
- Firmware upgradeable via USB port, FTP and HTTP.



Environmental sensors

FOR NETMAN 204



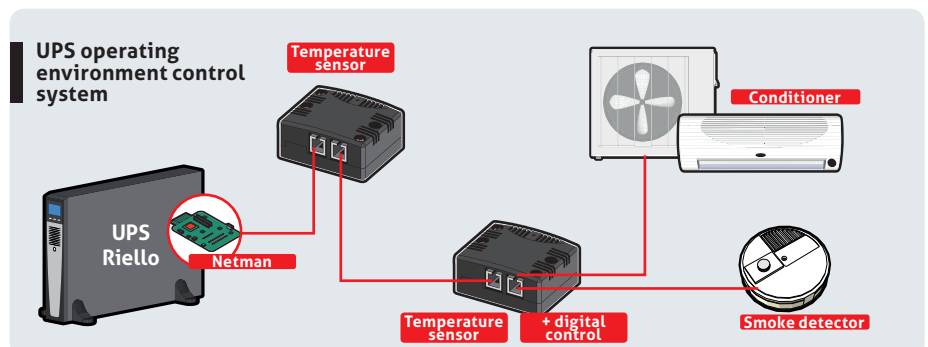
The NetMan environmental sensors are able to monitor and record environmental conditions as well as activities in protected areas and the area where the UPS is installed. The environmental sensors allow management and control to be extended to cover the area around the UPS, monitoring the temperature and humidity and driving cooling fans or locks. Values are provided via Internet, SNMP and via PowerShield³ software.

PowerShield³ can be used to manage sensor operating states in order to send messages. Refer to PowerShield³ software documentation for further information. NetMan can manage up to 6 separate sensors. Environmental sensors are quick

to install thanks to their small footprint, and they do not require a separate external power supply. Thanks to the self-learning sensors, configuration is also rapid and intuitive.

The following sensors are available:

- -55 +125 °C Temperature Sensor
- -55 +125 °C Temperature and 0-100% humidity Sensor
- -55 +125 °C Temperature and I/O digital 0-12 Vdc In, 1A max Out at 48 Vdc Sensor.



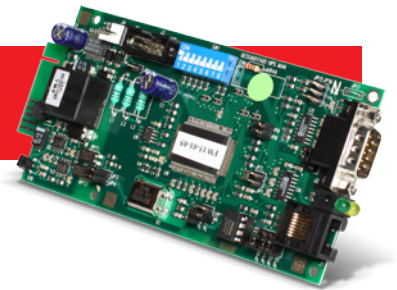
MultiCOM 302

CARD - MODBUS/JBUS INTERFACE

The MultiCOM 302 protocol converter allows UPS monitoring using the MODBUS/JBUS protocol over RS232 or RS485 serial lines. In addition, it also manages a second independent RS232 serial line that can be used to connect to other devices such as the PLC or a PC running PowerShield³ software.

Features

- Port configuration for MODBUS/JBUS as RS232 or RS485
- Management of two independent serial lines
- Suitable for integration with the main BMS management programs.



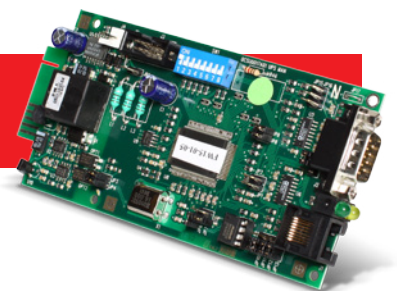
MultiCOM 352

CARD - INTERFACE DUPLEXER

The MultiCOM 352 serial duplicator is an accessory that allows two devices to be connected to a single communication serial port on the UPS. It can be used anywhere where several serial connections are required for multiple polling of the UPS. It is ideal for LAN networks with firewalls, where a high level of security is required, or for the management of separate LAN networks supplied by a single UPS.

Features

- Cascading configuration giving a maximum of 4 serial communication ports
- LED communication flow indicator
- Firmware upgradeable via serial port.



MultiCOM 372

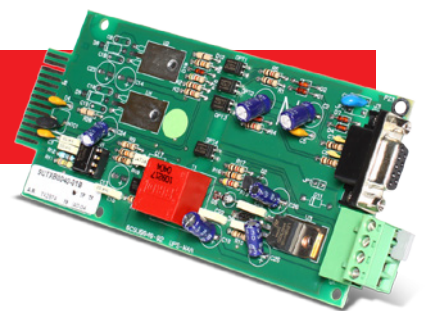
CARD - RS232 INTERFACE

The MultiCOM 372 allows an additional communication port to be added to the UPS to control and monitor the UPS via the RS232 serial line. The board is supplied with an ESD (UPS Emergency Shutdown) input and an RSD (Remote Shutdown) input, both available on a removable terminal board and directly connectible to emergency buttons or other buttons.

Features

- Management of ESD input and UPS Shutdown
- Ability to supply devices at 12 V 80 mA max.

For compatibility, refer to the Table on page 16



MultiCOM 382

CARD - RELAY I/O INTERFACE

The MultiCOM 382 provides a set of relay contacts for managing UPS alarm notifications and operating states. The board has two removable terminal boards. One of these terminal boards includes the ESD (UPS Emergency Shut Down) and RSD (Remote Shut Down) signals.

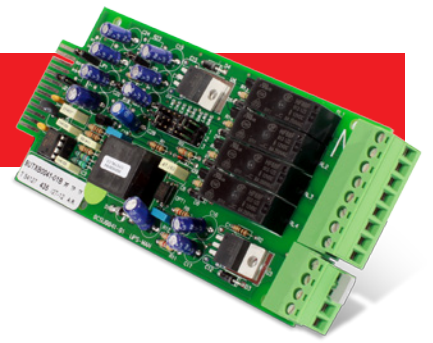
The board also provides the possibility of associating Battery Working, Bypass, Alarm

and Battery Low warnings with potential free changeover or normally open contacts.

Features

- Max. current 3A at 250Vac
- Signal-contact customisation.

For compatibility, refer to the Table on page 16



MultiCOM 401

BOX - PROFIBUS DP INTERFACE

The MultiCOM 401 is an accessory that allows UPS to be connected to a Profibus DP network. The device integrates UPS management and monitoring in a control system based on a field bus that is among the most widely used in the industrial sector for communication between control / automation systems and distributed I/O.

Features

- Profibus DP-V1 protocol
- Configurable addresses from 0 to 99
- Data format: Profidrive V2 PP05
- Communication speed configurable from 9,6 kBit/s to 12 MBit/s
- LED displaying the communication flow.



Multi I/O

BOX - RELAY I/O CARD & MODBUS/JBUS INTERFACE

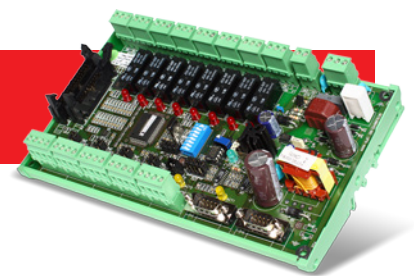
The Multi I/O is a device that integrates UPS into a control system using fully configurable input and output relay signals. It can be used to connect two devices to a single UPS serial communication port.

It can be used anywhere where several serial connections are required for multiple polling of the UPS.

It can also communicate on RS485 lines using the MODBUS/JBUS protocol.

Features

- 8 analogue/digital inputs
- 8 relay outputs (3A at 250Vac) that can be configured using UPS and input operating states
- Can communicate with UPS via RS232
- It can control two independent RS232/RS485 serial lines to monitor the UPS and its operating states using the MODBUS/JBUS protocol
- Firmware upgradeable via serial port.



I/O

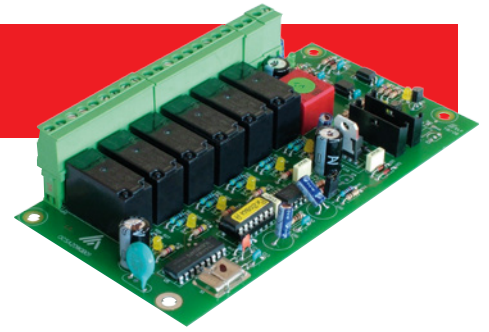
EXPANSION BOARD

The I/O expansion board for the Master range is equipped with:

- 6 outputs with NC/NO potential-free contacts (250 V/5 A), electrically isolated from each other and from other circuits
- 2 self-powered inputs.

Each output or input can be configured with different meanings, using the associated menu.

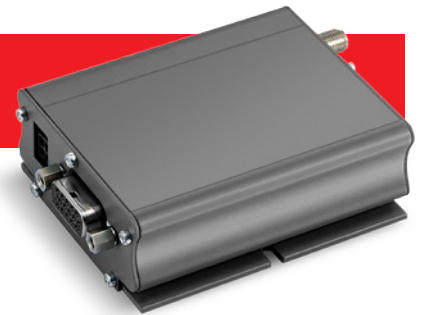
For compatibility, refer to the Table on page 16



Modem GSM

MODEM

The GSM modem is able to send SMS messages detailing operating states and alarm warnings for devices monitored by PowerShield³ control software and PowerNetGuard supervision software.



RTG 100

GPRS MODEM

The GPRS RTG 100 terminal is able to manage UPS connected directly to the GSM mobile telephone network.

It was developed to integrate UPS into the TeleNetGuard remote control system for complete control of UPS and diagnostics in the event of failure

without the need for landline connections.

The RTG 100 is able to communicate constantly with UPS to provide the TeleNetGuard remote control system

or PowerShield³ software with a valid alternative to connection systems employing communication cables.

Features

- Ability to send SMS messages detailing UPS operating states and alarms
- Compatible with PowerShield³ and TeleNetGuard
- Events log management
- Firmware upgradeable via GSM.



Multi Panel

REMOTE DISPLAY INTERFACE

The Multi Panel is a remote monitoring device that can provide a detailed UPS status overview in real time. This device is able to display mains power, output and battery readings as well as UPS operating states. The high visibility graphic display supports English, Italian, German, French, Spanish, Russian, Chinese and many other languages.

It has 3 independent serial ports, one of which allows for UPS monitoring via the MODBUS/JBUS protocol (on either an RS485 or RS232 serial line). The other independent serial lines can be used to connect devices such as the Netman 101 Plus or a PC running PowerShield³ software.

Features

- High visibility LCD with graphic functions
- Management of three independent serial lines
- Port configuration for MODBUS/JBUS as RS232 or RS485
- Suitable for integration with the main BMS management programs
- Firmware upgradeable via serial port.



Multi Pass 10, 16, and 16-R

MAINTENANCE BYPASS

The Multi Pass manual bypass cuts out UPS in the event of malfunction or breakage. Multi Pass ensures that the connected consumers are automatically switched to mains power if a UPS is switched off or goes into blocked status. Multi Pass is available for rack or wall installations (box).

Features

- 16 A rack version
- 10 A and 16 A wall version
- Standard back-feed protection
- Automatic switching during mains failure
- Mains power present LED indicator
- Available with different socket standards (IEC, British socket, terminal boards).



MBB32A

MAINTENANCE BYPASS

Available in a 32 A single-phase configuration, enables UPS servicing up to 6kVA in a quick and safe manner ensuring power continuity. Equipped with a metal bracket for wall mounting.



MBB125A 4P, MBB100A 2P

MAINTENANCE BYPASS

Available in a single configuration that allows for manual bypass operations on any single-phase UPS from 10-20 kVA and three-phase UPS from 10-60 kVA. The device is equipped with three disconnect switches as shown in the attached diagram to allow for the complete isolation of the UPS in the event of maintenance or removal, whilst guaranteeing power supply continuity to the consumers. The device is equipped with a manual

bypass closure warning micro-switch to be connected to the dedicated input on the UPS in order to prevent simultaneous supply from the manual bypass and inverter.

RIELLO UPS offers a wide range of external bypasses and static switches for UPS up to 800 kVA, and for parallel systems up to 6,4 MVA.



MBB125A 4P



Connectivity

Connectivity

Index of configurations

Connecting a UPS to other devices, sensors, computers and other specific devices, means on the one hand allowing the user to monitor UPS operating parameters and prevent critical situations, and on the

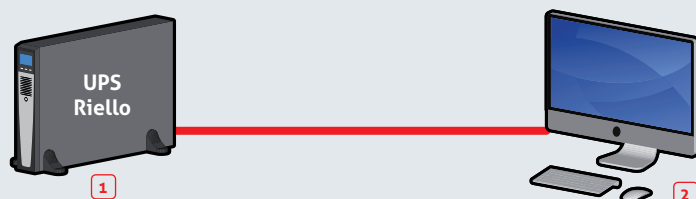
other hand provides the UPS with input parameters from the working environment. By processing these parameters the UPS is able to activate/deactivate itself, communicate its status and much more.

This brief overview summarises some of the basic connectivity configurations, grouped according to the end purpose and situation surrounding each case.

- Point to point connections
- Multipoint connection
- Connection for UPS in parallel setup
- Connection with several systems in parallel setup and STS

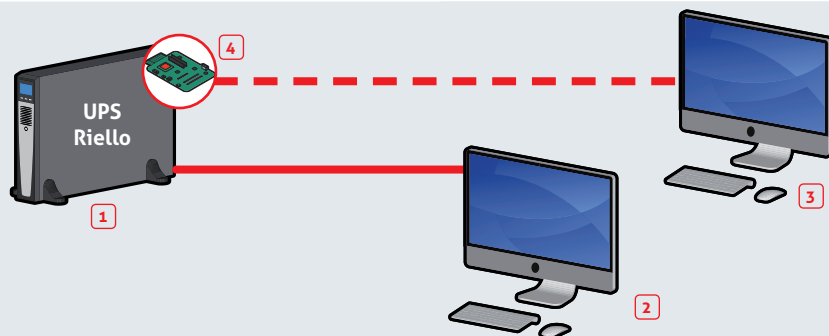
- Field bus connections
- Bus connections over Ethernet
- Field bus connections
- Serial bus connections

POINT TO POINT CONNECTIONS



Controlling the UPS from 1 workstation

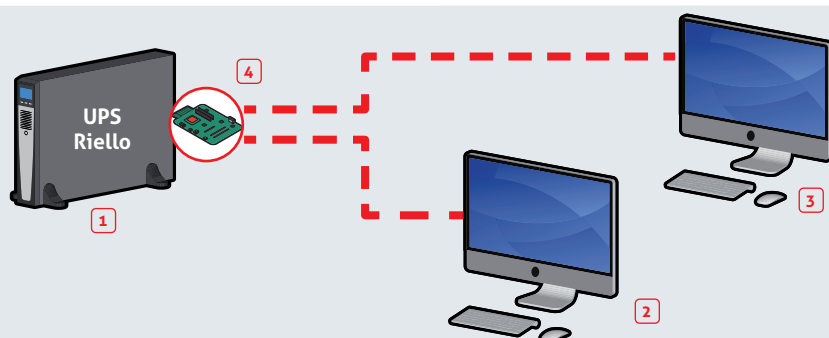
- 1 UPS connected to load
 - 2 Local computer with PowerShield³ version FREE
- USB or RS232



Controlling the UPS from different workstations

- 1 UPS connected to load
- 2 Local computer with PowerShield³ version FREE
- 3 Local computer with PowerShield³ software version FULL
- 4 MultiCOM 372 board

--- RS232
— USB or RS232

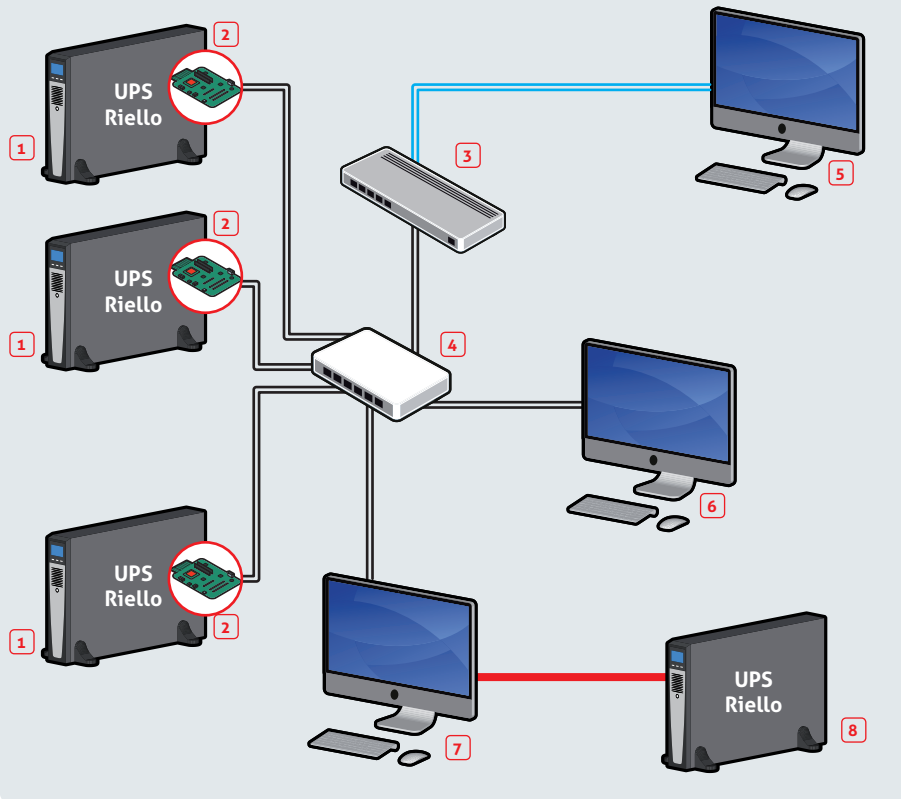


UPS control from several workstations, using 2 serial ports

- 1 UPS connected to load
- 2 Local computer with PowerShield³ version FREE
- 3 Local computer with PowerShield³ version FREE
- 4 MultiCOM 352 board

--- RS232

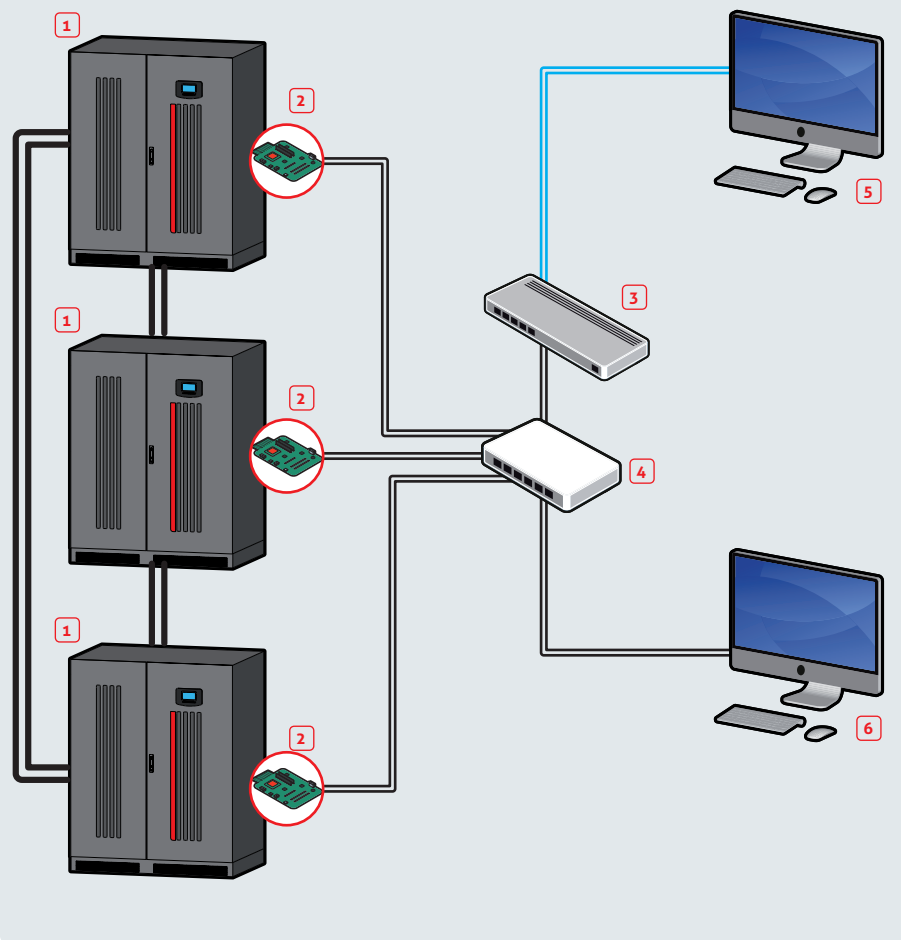
DISTRIBUTED CONNECTION (MULTIPOINT)



Connection with more than 1 UPS. The FULL version of PowerShield³ software is required as well as a NetMan 204 communication board on each UPS.

- 1 UPS connected to load
 - 2 NetMan 204 board
 - 3 Firewall
 - 4 Switch
 - 5 Remote computer connected via web
 - 6 Local computer
 - 7 Local computer that controls the UPS (8) via USB or RS232, and UPS (1) via LAN and Ethernet
 - 8 UPS connected to load
- USB or RS232
 Ethernet
— World Wide Web

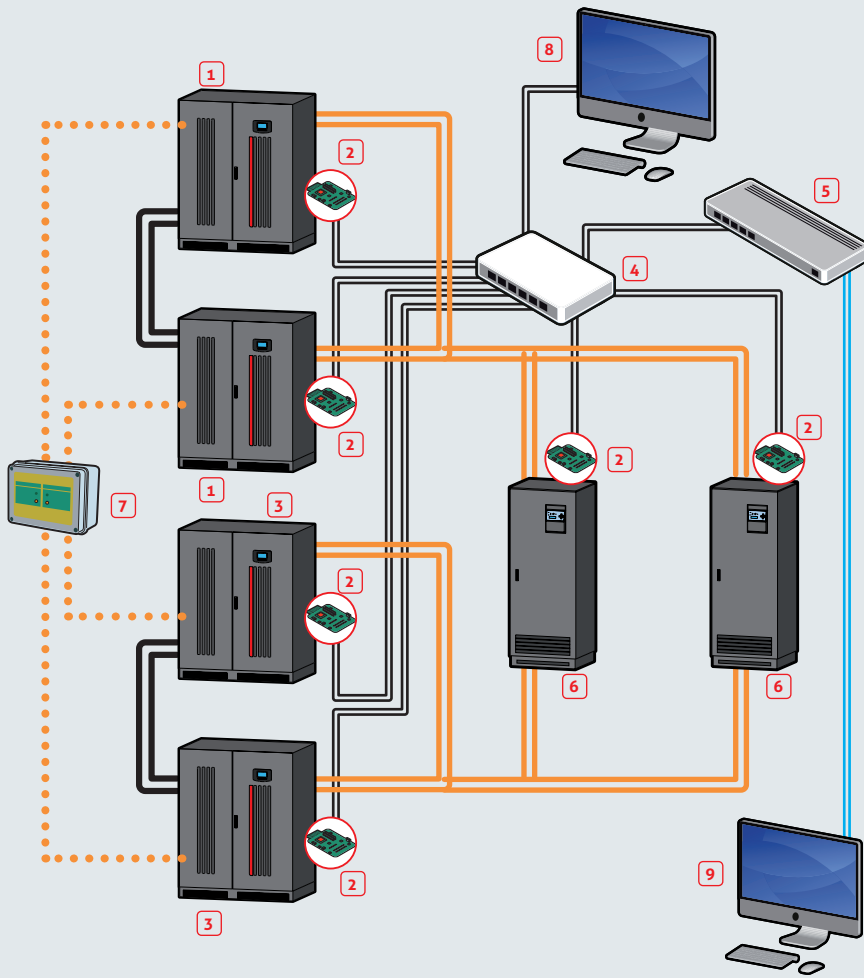
CONNECTION FOR UPS IN PARALLEL SETUP



The FULL version of PowerShield³ software should be used for managing setups with several UPS installed in parallel, and each UPS must have a NetMan 204 board installed.

- 1 UPS in parallel setup connected to the load
 - 2 NetMan 204 board
 - 3 Firewall
 - 4 Switch
 - 5 Remote computer connected via web
 - 6 Local computer
- Parallel setup bus
 Ethernet
— World Wide Web

CONNECTION WITH SEVERAL SYSTEMS IN PARALLEL AND STS



The FULL version of PowerShield³ software should be used for managing setups with several UPS installed in parallel, and each UPS must have a NetMan 204 board installed.

- 1 UPS arranged in parallel connected to an STS channel
- 2 NetMan 204 board
- 3 UPS arranged in parallel connected to an STS channel
- 4 Switch
- 5 Firewall
- 6 STS connected to load
- 7 UGS
- 8 Local computer with PowerShield³ software version FULL
- 9 Remote computer connected via web, running PowerShield³ software version FULL

●●●● UGS management of parallel setup

●●●● Parallel setup bus

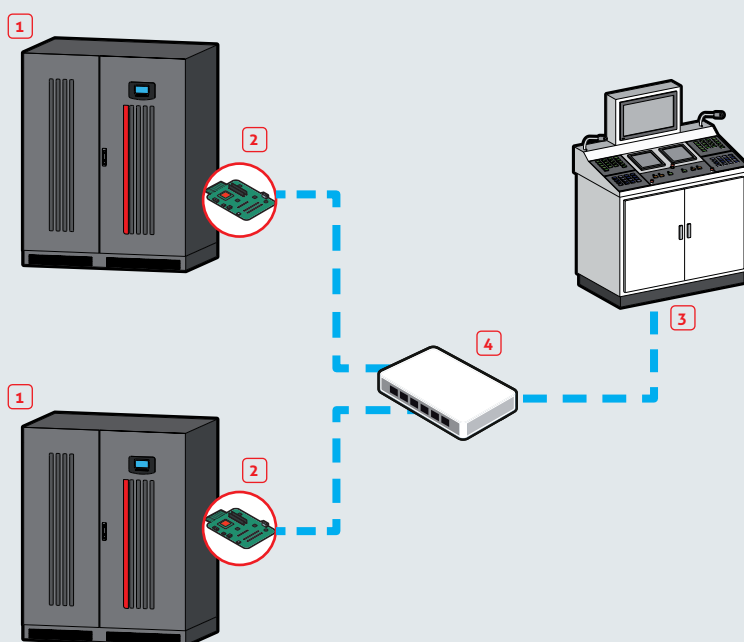
— Ethernet

— World Wide Web

— Parallel setup bus

— Power connection

FIELD BUS CONNECTION OVER ETHERNET



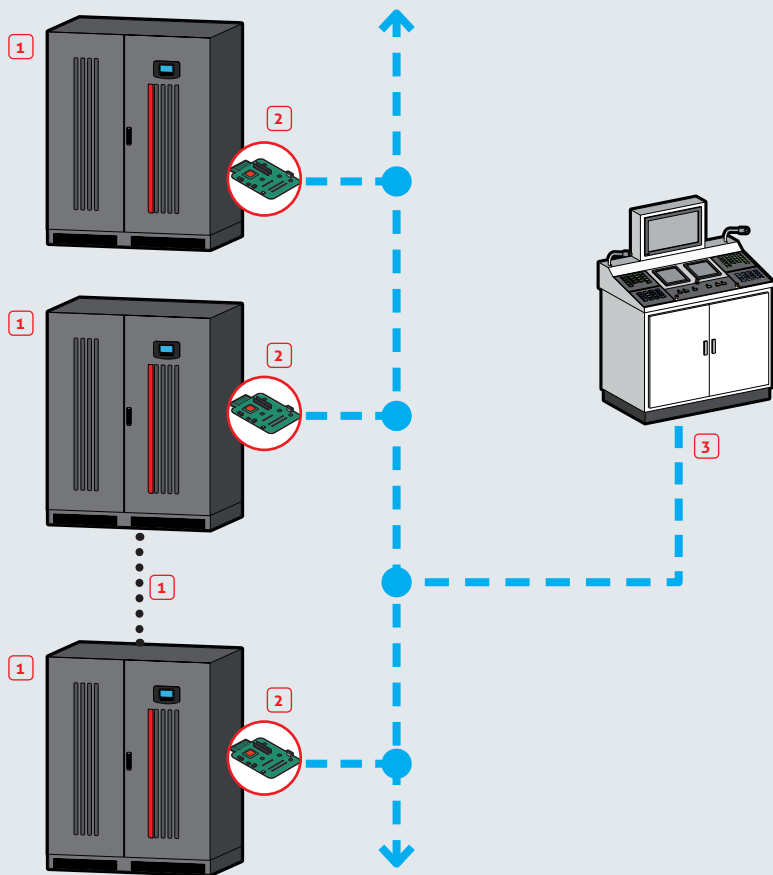
For UPS management in industrial or civil environments requiring Modbus protocol communication over Ethernet.

- 1 UPS connected to load
- 2 NetMan 204 board
- 3 SCADA management system
- 4 Switch

— Ethernet

— Modbus / TCP over Ethernet

MODBUS SERIAL FIELD BUS CONNECTION

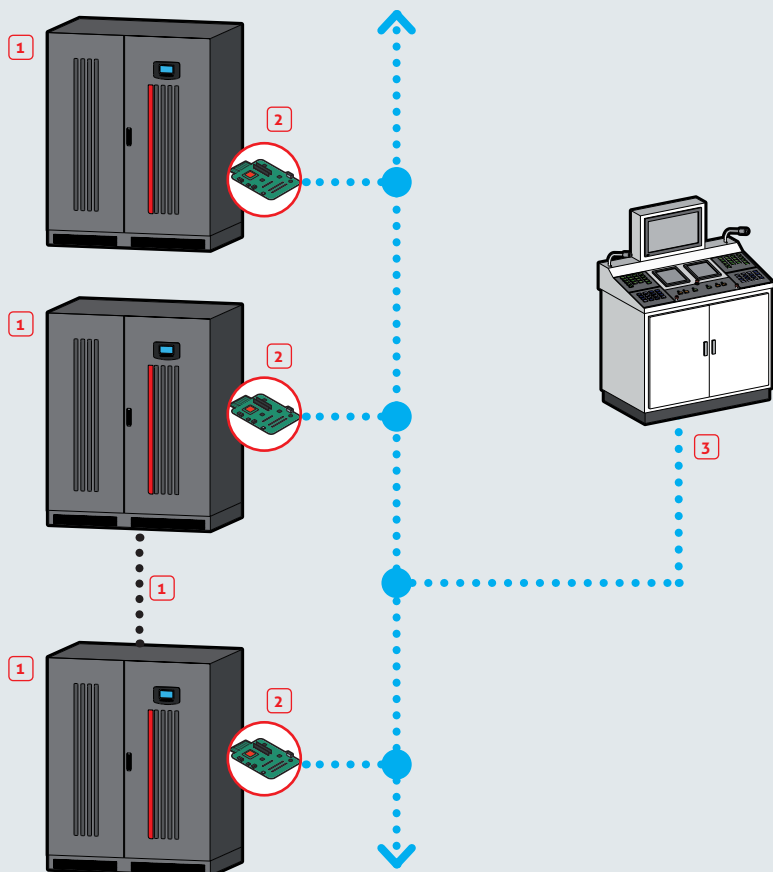


For UPS management in industrial or civil environments requiring Modbus protocol communication over RS 485 line.

- 1 UPS connected to load
- 2 NetMan 302 board
- 3 SCADA management system

— Ethernet
 - - - Modbus RS485

PROFIBUS DP SERIAL FIELD BUS CONNECTION

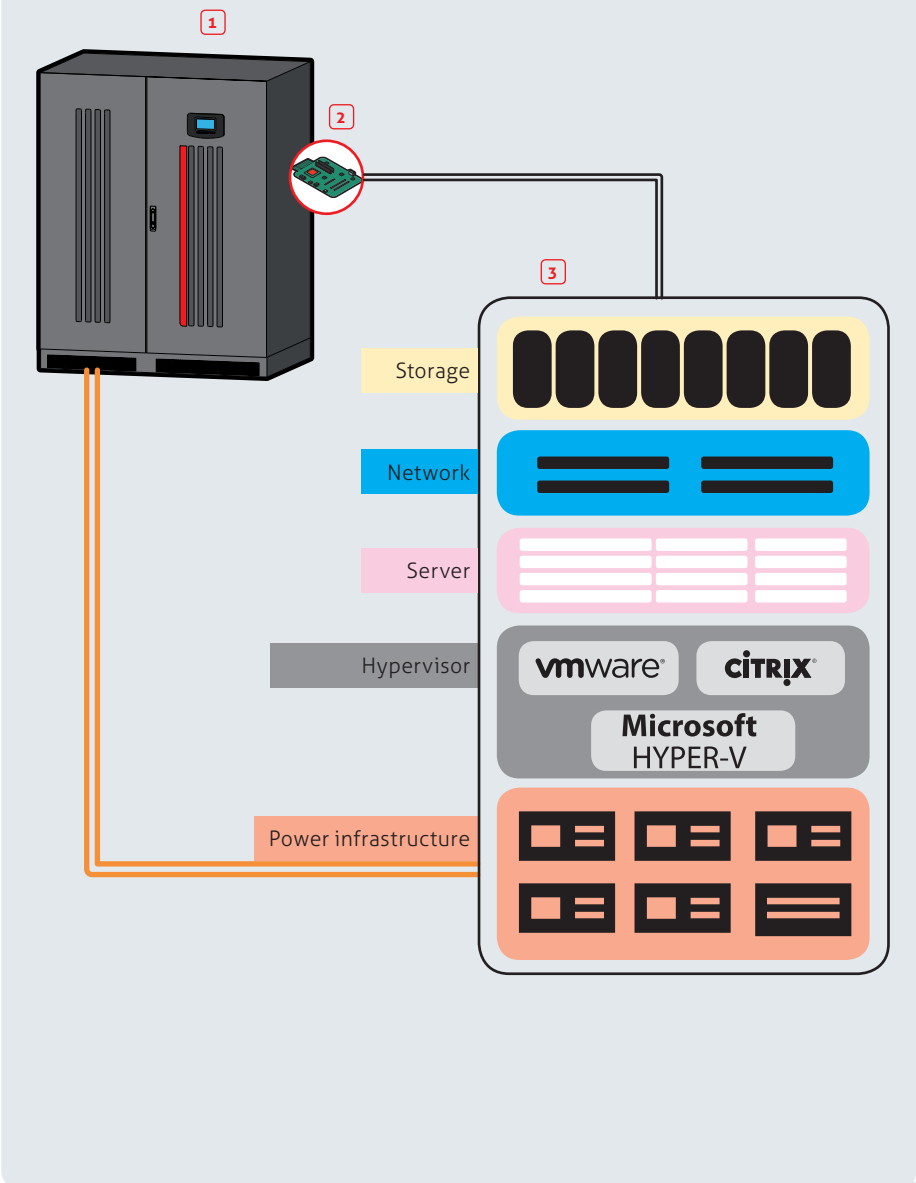


For UPS management in industrial or civil environments requiring communication via Profibus DP protocol.

- 1 UPS connected to load
- 2 NetMan 401
- 3 SCADA management system

— Ethernet
 . . . Profibus DP

POWERSHIELD³ ON VIRTUALIZED SYSTEMS: VMWARE ESX; MICROSOFT HYPER-V; CITRIX



PowerShield³ software should be used for managing setup with UPS, a specific script to shut down the virtualized system must be used, UPS must have a NetMan 204 board installed.

- 1 UPS
 - 2 NetMan 204
 - 3 Virtualized system
- Ethernet
 Power connection







Technical pages

POWER PROBLEMS

Why an Uninterruptible Power Supply?

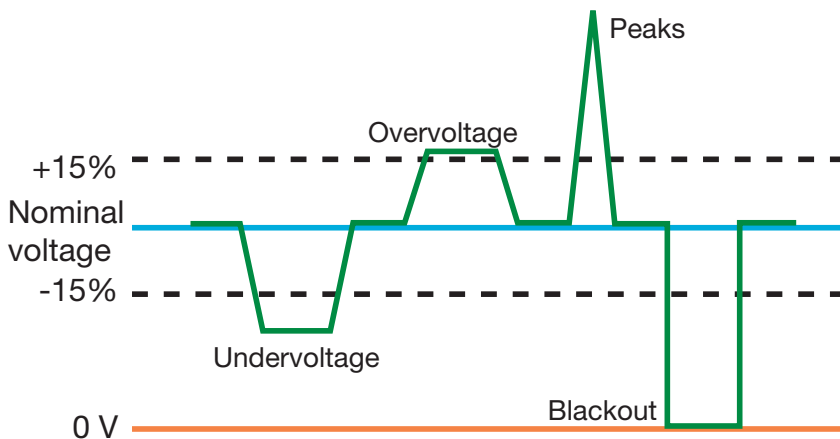
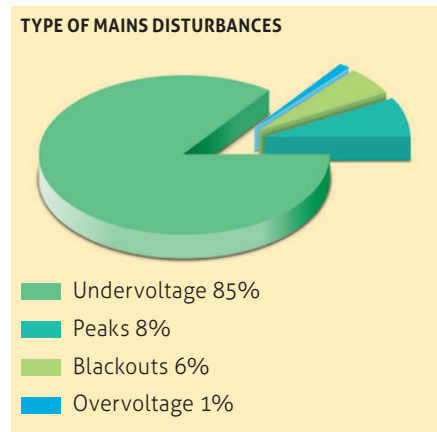
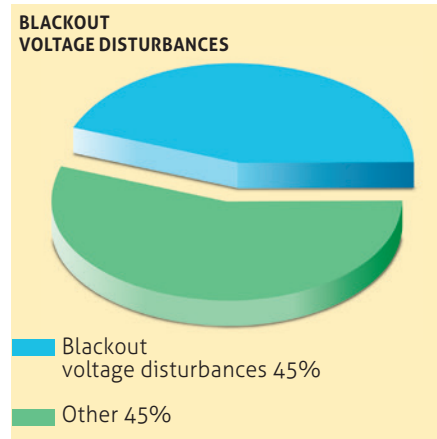
Data centres, servers, LAN nodes and telecommunication systems must always be protected against possible problems with power supply. Sudden blackouts and variations in the mains supply may lead to system malfunctions and severe data losses. But even other types of electrical equipment can be damaged or in turn cause damage or inconvenience if there is a fault in the mains supply.

You only need to think about the check-outs in supermarkets, lighting systems and industrial production units, not to mention safety systems, medical equipment, pumping installations and automatic devices in general.

The simplest and most effective way of coping with these disturbances in the electricity network is to install a UPS unit (UPS stands for Uninterruptible Power Supply). Acting as an interface between the mains and the loads, a UPS guarantees the continuity and the quality of the electricity supplied to the loads, regardless of the condition of the mains.

In fact these machines stabilise the voltage perfectly, eliminating all disturbances and when the mains supply fails, they even supply voltage via a series of batteries which provide power long enough to guarantee the safety of persons and the system. In order to select the type of appliance that is best suited to ensure the required level of protection, you need to be aware of the types of problems with the mains supply that may disturb your appliances.

Most blackouts are caused by incorrect operations during plant maintenance operations or, more trivially, due to improper use of equipment leading to overloads or short circuits.



Reference technical standards


Safety

EN 62040-1-1 is the reference standard regulating the basic safety requirements for UPSs used in areas accessible to operators. *EN 62040-1-2* is the reference standard regulating UPS used in restricted access locations (control panels, electricity cabinets etc.).

Electromagnetic compatibility

UPSs are designed to operate in situations where disturbances can occur but, at the same time, to emit the lowest possible number of disturbances so as not to cause inconvenience with other appliances in the system. The immunity and emission limits as well as the test methods are defined in the IEC *EN 62040-2* standard.

Performance

The reference document is "Method of specifying the performance and test requirements" *EN 62040-3*; this standard is a guide to achieving better understanding between manufacturers and users, as it defines the performance levels that must be declared and the test methods for this. All UPS Riello UPS are designed and constructed in compliance with the above standards and thus they bear the CE marking .

CEI, CENELEC and IEC are the recognized standardization bodies respectively at Italian, European and international level. The following internationally-recognized European standards on UPS, ensure compliance with EC Directives.



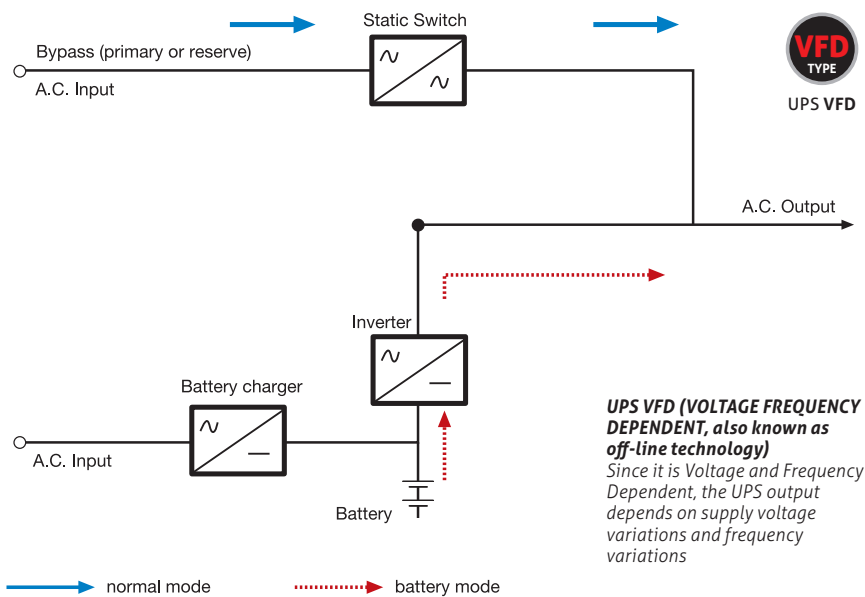
TYPES OF UPS

Classification of UPS according to the CEI EN 62040-3 standard (method of specifying performance and test requirements).

Off-line (VFD)

In normal operating mode, the load is powered directly from the mains through the UPS static switch.

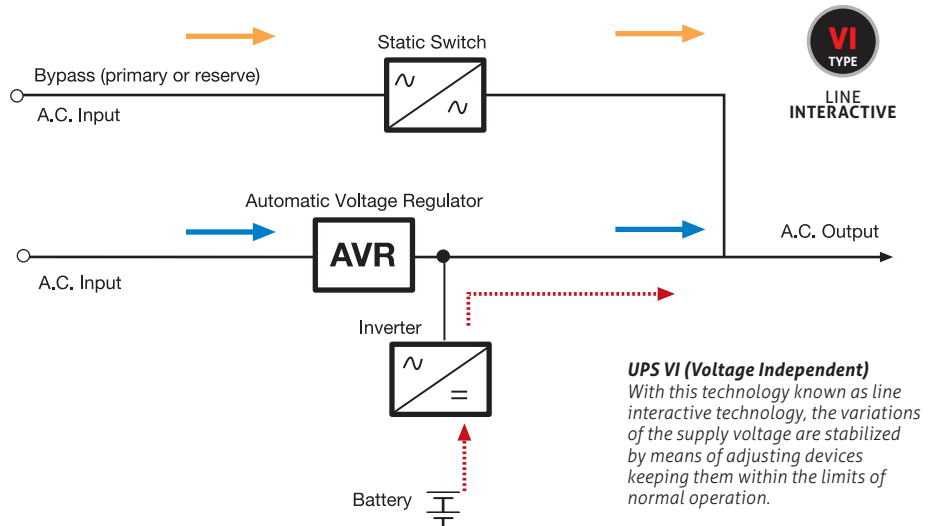
When the mains voltage is not within the UPS preset tolerances, the load is transferred to the inverter in about 2-4 ms using battery power. The voltage generated by the inverter is typically step-wave or square-wave.



Line Interactive (VI)

In normal operating mode, the load is powered from the mains through an AVR (Auto Voltage Regulator) circuit.

This device corrects voltage variations within its capacity for regulation, returning the voltage to its default values. When the variations in the power supply are not within the capacity for regulation of the AVR circuit, the inverter intervenes and through the stored energy in its batteries it ensures the continuity and quality of the power supply. The transition from stabilised mains to inverter supply takes place in about 2-4 ms and the voltage generated by the inverter can be of a sinusoidal type or step-wave (square-wave) type depending on the UPS model.

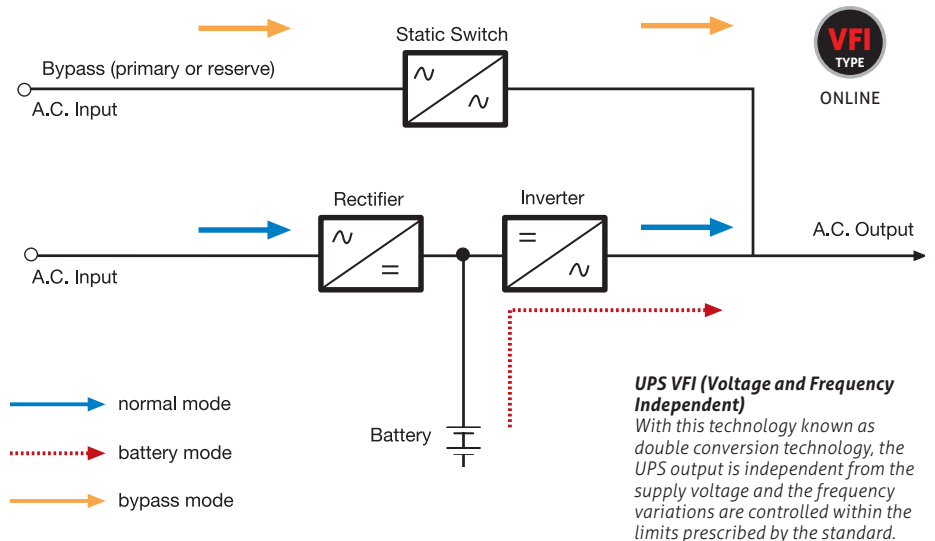


Double Conversion (VFI)

In normal operating mode, the load is powered by the combination of rectifier/inverter.

When the AC input supply is not within the voltage and frequency tolerances, the unit enters into battery mode operation where the battery/inverter combination continues to power the load for as long as its power lasts, or until the AC input power returns within the required tolerances. The intervention time for battery operation is instantaneous (0 ms).

If the rectifier/inverter fails or in the event of an overload, either in the permanent or transition mode, the unit goes into bypass mode (0 ms), where the load is temporarily supplied via the reserve line.



EVALUATION PARAMETERS

Apparent power (in VA or kVA)

It is defined as:

$$VA = V \times I$$

for single-phase load

$$VA = V \times I \times \sqrt{3}$$

for three-phase load

where **V** is the load voltage supply and **I** is the current absorbed by the load in normal load conditions. This information is normally shown on documents and/or load nameplates though it is often shown as an oversized value.

Active Power in W or kW

It is defined as:

Watt: VA x Pf

(the PF sometimes is identified with the **COSφ**)

The PF or the **COSφ** is rarely indicated so the correct sizing requires you to know the active power (W) of the loads.

However the experience shows that the new IT system loads, such as the computer servers, typically have the power factor 0,9 or greater while the personal computers have the Pf 0,60 - 0,75.

Crest factor

A linear load absorbs a sinusoidal current that has an effective value (**IEFF** usually measured and declared) and a peak value (**IPK**).

The Crest Factor value is defined as:

$$CF = \frac{IPK}{IEFF}$$

The normal value for a linear load is CF = 1.41. Most loads applied to UPS are non-linear loads; they absorb distorted currents that have a CF greater than 1.41 and therefore require higher peak currents resulting in increased distortion of the output compared to equivalent linear loads. The EN62040-1 Standard defines a typical non-linear load with CF = 3, used for testing UPS that can be used in the absence of other data.

Overload

Overloads are temporary requests from users that exceed absorption in continuous operation. They are caused by current peaks which may occur when one or more appliances are switched on.

If the overload exceeds the admissible limits, the UPS guarantees the energy supply via the automatic bypass line. In the event of an "On line" UPS, the transfer is effected without any break in power (transfer time = 0 ms).

The by-pass is a safety device with protection and its own auxiliary power supply and therefore it supplies the load with its own circuit that is independent from the rest of the UPS.

Input current harmonics

The rectifier/battery-charger in the UPS absorbs a distorted current from the mains, containing multiple harmonics compared to the fundamental frequency of 50Hz. When these harmonics are returned to the mains upstream, they can lead to a distortion in voltage that, if high, can affect the normal operation of the non-privileged users. The harmonic input values of Riello UPS are set at a level that meets with current regulations.

To reduce them further, the Riello UPS use rectifiers with PFC (Power Factor Control) or IGBT that absorb current from the mains by generating a low harmonic content. Another solution is to use resonant filters at the input which provide a local way for the harmonics to circulate and that therefore should not affect the mains in a significant way. The filters are available as accessories.

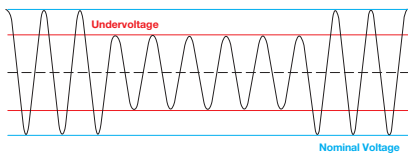
Runtime

The batteries supplied with the UPS are valve-regulated batteries (VRLA) better known as sealed batteries with immobilized electrolyte and very low gas loss and which, therefore, can be installed in public places and offices without special precautions. Normally batteries are supplied together with the UPS and may be kept in the same cabinet or in additional cabinets with an isolation switch.

MAINS DISTURBANCES

Undervoltage

An undervoltage is a reduction in the amplitude of the voltage for a time ranging from 10ms to 1s. The voltage variation is expressed as a percentage of the nominal voltage between 10 and 100%. A voltage drop of 100% is called an opening or is normally known as blackout. Micro-interruptions or micro-openings, can be induced by transient faults (between 10ms and 1s).



Short openings can be induced, on the other hand, by the operation of protection devices (1s to 1 min.). Long openings are usually induced by problems that occur on the high-voltage grid (\geq to 1min).



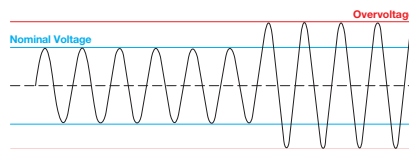
Consequences:

- **Computer Applications:** system blackouts with corruption or loss of data, overheating and ageing of electronic components resulting in operational paralysis.

- **Industrial applications:** Instability of asynchronous motors and loss of synchronization of synchronous motors, opening of contactors (undervoltage > 30%), power-off of discharge lamps with undervoltage > 50% for 20-40ms, with subsequent return of power that only occurs after several minutes, resulting in operational paralysis.

Overvoltages

An overvoltage is an increase in voltage for a time of over 10ms. Overvoltages can be induced by the disconnection of heavy loads (interruption of production processes in industries: the reduction in speed of electric motors, arc furnaces, rolling mills etc.) or by natural events such as lightning.



Consequences:

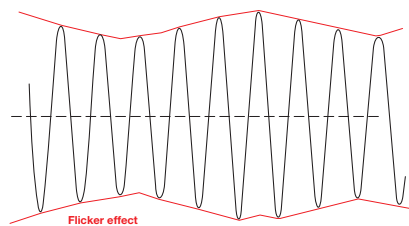
- Faults with all electrical/electronic equipment (100% < overvoltage < 150%): e.g. damage to circuit boards, power packs, computers/servers, faults with lighting systems etc.

Flicker effect

The flicker effect is a flickering of lights induced by rapid variations in voltage. These voltage variations are caused by loads in which the power absorption varies very quickly: arc furnaces, welding machines, rolling machines, laser cutters.

Consequences:

the flickering of lights is very unpleasant for those who witness it.

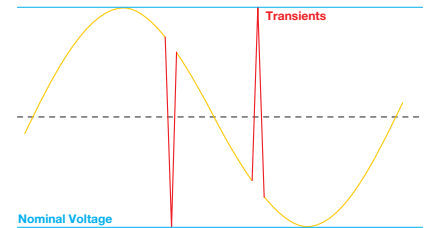


Transient effect

Transient phenomena consist of very high and fast overvoltages that reach as much as 20kV. These transients are caused mainly by lightning (random phenomenon according to location, duration and amplitude) but also by manoeuvres or faults on the high voltage grid, by inductive load switching or by the powering of highly capacitive loads.

Consequences:

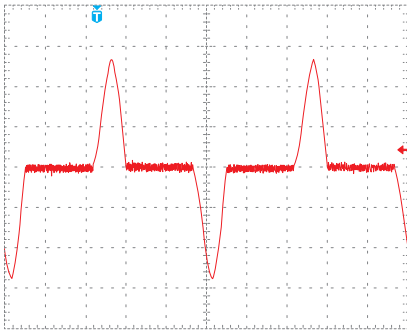
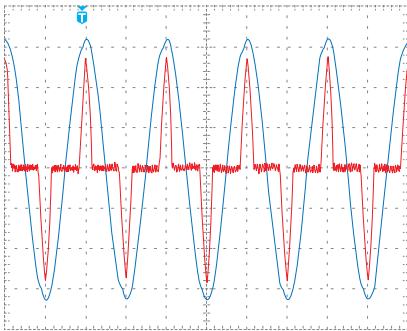
Transients destroy inadequately protected equipment (melting of wires, perforation of insulation in motors, badly-timed releases of protection devices, etc.).



HARMONICS

Definition of harmonics

Given a sinusoidal (fundamental) magnitude, one can define as harmonic a sinusoidal multiple frequency magnitude. The order of the harmonic is the relationship between its frequency and that of the fundamental: for example, if the fundamental is 50 Hz, the third-order harmonic, or third harmonic has a frequency of 150 Hz. The sum of the fundamental and the harmonics gives rise to a function that is periodic but not sinusoidal (distorted waveform). A distorted waveform is therefore equivalent to a presence of harmonics, and vice versa. In general, any periodic function can be broken down into a series of sinusoidal functions (Fourier series).



Origin of harmonics

Devices that generate harmonics are present in the industrial sector, the service sector and also in the home. Harmonics are generated by non-linear loads: a load is defined as non-linear when the current which it absorbs does not have the same form as the voltage that supplies it. Power electronics such as rectifiers, inverters, electronic starters, variable frequency motor drives, switching power supplies, discharge lamps are classic examples of non-linear loads. The powering of non-linear loads causes the appearance of THDIs (Total Harmonic Distortion Currents) circulating in the system. In turn, harmonic currents that pass through the power supply circuit (lines and transformers), cause the deformation of the mains voltage: the harmonic distortion in voltage THDU (Total Harmonic Distortion Voltage).

Consequences: the damage caused by harmonics can be summarized as follows:

- the electronic power regulation systems may be disturbed by the fact of having to work with voltages that are not perfectly sinusoidal.
- the electronic signal systems, designed to work with very low currents, can easily be "fooled" by the presence of disturbances induced by high-frequency electromagnetic fields.
- the harmonic components of order 3 (150 Hz) in three-phase systems become homopolar, i.e. they converge on the neutral conductor and overload it. In the absence of the neutral, circulating currents may occur inside the three-phase appliances, connected in triangular form, generating dangerous overloads in this situation, too. In single-phase systems, personal computers are classic examples of heavily-distorted loads with a high content of 3rd order harmonics which, as described above, will have an effect on the neutral. The conductor of the latter must therefore be sized appropriately, otherwise overheating will occur, thus reducing its life and quality.

- the magnetic fields generated by the high order harmonics are at high frequency and easily generate unwanted inductive couplings that can produce malfunctions in the most sensitive components such as differentials.

In general, therefore, the economic effects of harmonics can be seen in terms of a shorter useful life of an installation, of a lower yield and a high likelihood of reduced performance.

An Uninterruptible Power Supply (UPS) in a double conversion configuration is a possible solution to the problem of harmonics generated by loads. Since the UPS is interposed between the loads and the mains, it absorbs all the harmonics of the loads and only provides the mains with the harmonics originating from the operation of the UPS itself. These values are certain and defined in the properties shown on the nameplate.

Riello offers UPS with various technological solutions for the input stage ranging from six-pulse or twelve-pulse rectifiers with optional anti-harmonic filters to the ultra-modern IGBT rectifiers with PFC (Power Factor Control).

UPS CONNECTED IN PARALLEL

Introduction

UPS can be connected in parallel in order to increase reliability in the supply of power to the load and the power available on output. Up to 8 units can be connected in parallel. Our recommendation is to connect units of the same power.

It is necessary, therefore, to install an electronic card (on each UPS) which guarantees the frequency synchronicity of the UPS connected in parallel together with the mains supply, in order to avoid exchanges of current among the UPS in parallel and between the UPS in parallel and the mains supply (only in inverter/mains and/or mains/inverter switching).

The load that can be applied to a system with multiple machines in parallel can be higher than the load that can be sustained by each unit thanks to automatic power-sharing. Increased reliability is only achieved on condition that the total system power, with one unit deactivated, remains higher than the demand. This condition is always achieved by adding a redundant unit. A redundant unit is obtained with a UPS that is additional to the minimum number of elements required to power the load, so that after the automatic exclusion of a faulty unit, the power supply can continue in a correct manner.

The UPS connected in parallel are coordinated by a board, which controls the exchanges of information. The information is exchanged between the UPS via a cable that connects them in a ring circuit. The ring connection provides a redundancy in the connection cable (communication by cable between the single units). This is the most reliable way to connect the UPS with each other. It also allows the connection and hot disconnection of a UPS.

Each UPS has its own controller that continuously communicates with the entire system so as to ensure correct operation. The cable transmits signals from a "Master" UPS to the other "Slaves" with an opto-isolated system so as to maintain the control systems electrically isolated from each other.

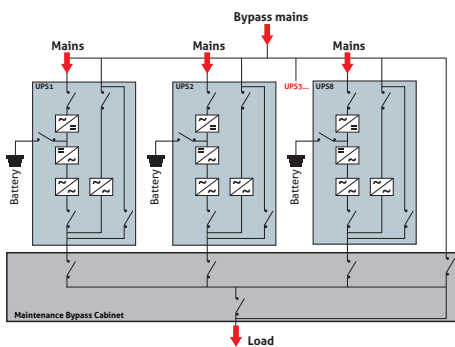
The operating logic provides for one unit, the first one that is activated, to become "Master" and to take control of the other "Slaves". In the event of failure of the "Master" unit, there will be an immediate transfer of control to a "Slave" who in turn will become "Master".

The parallel systems may work with one battery on each UPS module or one battery for the whole system. The exact connection in parallel provides for the connection from a single mains node to the input terminals

of the various UPS, and the connection from their output terminals to a single node for the power supply to the load, with the cables having the same section and total length. This recommendation is necessary to ensure the distribution of power during operation on the by-pass line: UPS in distributed parallel have a static switch for each UPS, while the centralized parallel system (increasingly less used) has a single static switch (with by-pass function) external to the UPS and is dimensioned for the entire power of the parallel system. The distribution of the load in normal operation is automatic. Normally parallel systems are available for UPS with power exceeding 10kVA; further details about the types of configurations can be found in the description of the individual products.

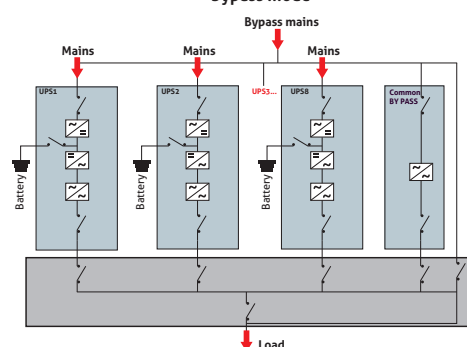
PARALLEL CONFIGURATION OF UP TO 8 UPS UNITS WITH DISTRIBUTED BYPASS

Parallel architecture to ensure redundancy of the power source. + **Flexibility and modularity and no single point of failure.**



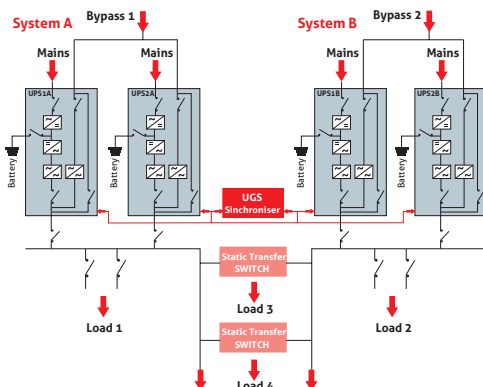
PARALLEL CONFIGURATION OF UP TO 8 UPS UNITS WITH COMMON BYPASS

Parallel architecture to ensure redundancy of the power source, with autonomous bypass management. + **Selectivity of downstream faults in bypass mode**



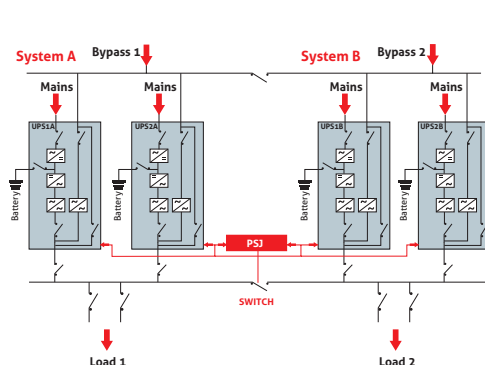
DYNAMIC DUAL BUS CONFIGURATION

Solution to ensure redundancy up to the distribution of the power supply to the loads and improved STS operation. + **Downstream fault discrimination**



DUAL BUS SYSTEM CONFIGURATION

Solution to ensure redundancy of the power supply even during maintenance. + **High availability and redundancy**



BATTERIES

The battery is a delicate part of the UPS system. For this reason it is necessary to pay attention to the selection and to the installation conditions. A low-quality battery or one not installed correctly can result in a loss of load.

Requirements on installing batteries

The internal gas recombination or VRLA batteries, can be installed in places normally frequented by people; in fact, the necessary air exchange is negligible but should not be overlooked, as prescribed in the European standard EN 50272-2. Although VRLA batteries function within the specified temperature limits for UPS, they do have an accelerated ageing if the temperature is higher than the nominal working temperature (20°-25°C). For every 10°C over the nominal temperature the expected life of the battery is halved.

Example: battery with a nominal T of 25°C = 4-5 years of life; operating at 35°C the life duration becomes 2-2.5 years.

One normally provides for the replacement of batteries during the life of a UPS.

When positioning the batteries, check the equipment manual to avoid making this operation difficult!

The room where the batteries are located should be maintained at temperatures between 20-25°C to maximize the life expectancy of the batteries; in addition, the area must be at least 2 m high to facilitate installation.

The floor must be able to withstand a load equal to the weight of the batteries, which may reach a total of about 2,300-2,400 kg/sq.m. The doors of these rooms must open outwards.

When the batteries are mounted inside a cabinet, access must only be possible after the battery has been isolated and a door has been opened using the special tool. The correct charging voltage for the batteries varies according to the ambient temperature.

Modern UPS are able to regulate the charging voltage by means of temperature sensors. In the event of batteries connected externally to the unit and if the room temperature is not stable, it is advisable to mount a temperature sensor which will transmit information to the battery-charger. If the batteries are open vase, they must be installed in a special room following the EN 50272 standard on premises, in particular complying with the air exchange calculation in accordance with the formula specified in paragraph 1.2 of the standard. If forced air ventilation is used, any failure of this must be reported to the UPS so that the battery-charger is stopped, thereby avoiding the possible build-up of hydrogen inside the room.

Batteries are an independent source of energy and so it is absolutely necessary to install a protection device with adjustments appropriate to their capacity and the discharge currents. It is advisable to have a protection device for each battery branch if the batteries were installed with multiple branches in parallel.

Ventilation requirements for batteries according to the EN50272-2 standard

The batteries shown in this catalogue, are all of the internal gas recombination or VRLA type, also known as sealed Pb batteries. These batteries do not require any particular devices, except in the event of large capacity installations (more than 100 Ah). With larger capacity facilities, it is necessary to provide adequate ventilation.

The purpose of ventilating the room where the batteries are installed is to maintain the hydrogen concentration below the 4% threshold of the Lower Explosion Limit (LEL). The rooms where the batteries are installed are considered safe from the point of view of explosions when the concentration of hydrogen is kept below this safety limit, with natural or forced (artificial) air ventilation. The minimum air flow for ventilating the rooms where the batteries are installed must be calculated in accordance with local specifications. In the absence of such specifications, one can use the European EN 50272 as the reference standard.

BATTERY CURRENT VALUES CHARGING WITH VOLTAGE-CURRENT CONTROLLED CHARGER

	Open cells of lead batteries	VRLA cells of lead batteries	Open cells of nickel-cadmium batteries
Gas emission factor <i>FG</i>	1	0.20	1
Gas emission safety factor <i>FS</i>	5	5	5
Trickle-charging voltage <i>Ufloat [V/cell]</i>	2.23	2.27	1.40
Typical trickle-charging current <i>Ifloat [mA per Ah]</i>	1	1	1
Current (in buffer) <i>Igas [mA per Ah]</i>	5	1	5
Rapid-charging voltage <i>Uboost [V/cell]</i>	2.40	2.40	1.55
Typical rapid-charging current <i>Iboost [mA per Ah]</i>	4	8	10
Rapid current <i>Igas [mA per Ah]</i>	20	8	50

The trickle-charging and rapid-charging current values increase with temperature. The result of any increase in temperature up to a maximum of 40°C has been taken into account in the values in the table. If recombination vent plugs (catalysts) are used, the *Igas* current that produces gas can be reduced by up to 50% of the values for open cells.

Natural ventilation

The flow quantity of ventilation air must be ensured, preferably by means of natural ventilation, or else by means of forced (artificial) air ventilation.

The battery rooms or casings for the batteries require an inlet and outlet of air with a minimum, free surface opening calculated according to the following:

$$A = 28 * Q$$

and

Q = flow rate of fresh air for ventilation [m³/h]

A = free surface of the air inlet and air outlet opening [cm²]

For the purposes of this calculation it is assumed that the air speed is 0.1 m/s

The air inlet and outlet must be placed in the best possible way to create the most favourable conditions for changing air, for example:

- openings on opposite walls,
- minimum separation distance of 2 m, when the openings are on the same wall.

Forced air ventilation

When an adequate air flow Q cannot be achieved through natural ventilation and one has to resort to forced air ventilation, the battery-charger must be interlocked with the ventilation system or an alarm must be activated to ensure the required airflow in relation to the chosen charging mode. The air extracted from the batteries must be removed into the atmosphere outside the building.

NOTE: For input/output cable sections sizing please refer to UPS manuals where you can find maximum current indications.

YORKSHIRE WATER UPS PRICE LIST

TRUE ONLINE DOUBLE CONVERSION UPS'S

MAKE/MODEL	KVA RATING	PRICE	SINGLE PHASE INPUT & OUTPUT	THREE PHASE	Page No
			THREE PHASE INPUT / SINGLE PHASE OUTPUT		
SENTINEL PRO 10 MINUTES BACKUP	700VA	£197.65	YES		48-51
SENTINEL PRO 10 MINUTES BACKUP	1KVA	£245.29	YES		48-51
SENTINEL PRO 10 MINUTES BACKUP	2KVA	£396.40	YES		48-51
SENTINEL PRO 10 MINUTES BACKUP	3KVA	£452.26	YES		48-51
SENTINEL PRO 19 MINUTES BACKUP	1KVA	£348.60	YES		48-51
SENTINEL PRO 19 MINUTES BACKUP	2KVA	£414.44	YES		48-51
SENTINEL PRO 19 MINUTES BACKUP	3KVA	£587.55	YES		48-51
SENTINEL PRO 30 MINUTES BACKUP	1KVA	£615.42	YES		48-51
SENTINEL PRO 30 MINUTES BACKUP	2KVA	£662.80	YES		48-51
SENTINEL PRO 30 MINUTES BACKUP	3KVA	£543.97	YES		48-51
SENTINEL DUAL 10 MINUTES BACKUP	3.3KVA	£617.01	YES		56-60
SENTINEL DUAL 10 MINUTES BACKUP	4KVA	£683.45	YES		56-60
SENTINEL DUAL 10 MINUTES BACKUP	5KVA	£986.96	YES		56-60
SENTINEL DUAL 10 MINUTES BACKUP	6KVA	£1,048.50	YES		56-60
SENTINEL DUAL 15 MINUTES BACKUP	8KVA	£1,361.19	YES		56-60
SENTINEL DUAL 15 MINUTES BACKUP	3.3KVA	£858.36	YES		56-60
SENTINEL DUAL 15 MINUTES BACKUP	4KVA	£1,134.23	YES		56-60
SENTINEL DUAL 15 MINUTES BACKUP	5KVA	£1,416.40	YES		56-60
SENTINEL DUAL 15 MINUTES BACKUP	6KVA	£1,494.48	YES		56-60
SENTINEL DUAL 15 MINUTES BACKUP	8KVA	£2,016.76	YES		56-60
MSM 10 MINUTES BACKUP	10KVA	£2,935.22	YES		70-73
MSM 10 MINUTES BACKUP	12KVA	£2,990.00	YES		70-73
MSM 10 MINUTES BACKUP	15KVA	£3,122.22	YES		70-73
MSM 10 MINUTES BACKUP	20KVA	£3,317.26	YES		70-73
MSM 28 MINUTES BACKUP	10KVA	£3,022.69	YES		70-73
MSM 22 MINUTES BACKUP	12KVA	£3,081.61	YES		70-73
MSM 18 MINUTES BACKUP	15KVA	£3,213.83	YES		70-73
MSM 12 MINUTES BACKUP	20KVA	£3,317.26	YES		70-73
MST 14 MINUTES BACKUP	10KVA	£3,063.67		YES	70-73
MST 10 MINUTES BAKUP	12KVA	£3,122.22		YES	70-73
MST 8 MINUTES BACKUP	15KVA	£3,196.37		YES	70-73
MST 5 MINUTES BACKUP	20KVA	£3,298.89		YES	70-73
MST 28 MINUTES BACKUP	10KVA	£3,155.28		YES	70-73
MST 22 MINUTES BACKUP	12KVA	£3,213.83		YES	70-73
MST 18 MINUTES BACKUP	15KVA	£3,287.50		YES	70-73
SOME OF THE UPS SYSTEMS HAVE 110V STEP DOWN TRANSFORMERS WHICH REQUIRE A QUOTATION					
ANY UPS REQUIRE LONGER BACKUP TIMES REQUIRE A QUOTATION FROM THE SUPPLIERS					

YORKSHIRE WATER UPS PRICE LIST

WALL MOUNTED EXTERNAL BYPASS SWITCHES			Page		
16AMP SINGLE PHASE 1-3KVA	£196.00		159		
32AMP SINGLE PHASE 4-6KVA	£410.00		159		
63AMP SINGLE PHASE 8KVA-20KVA	£581.05		159		
63AMP THREEE PHASE 8KVA - 20KVA	£653.05		159		
SNMP 204	£112.52		154		
MULTICOM 382 PROVIDES A UPS WITH A SET OF RELAYS TO CONNECT TO PLC SYSTEMS	£69.02		156		
BATTERIES ARE AT QUOTED PRICE ONLY AS THESE CHANGE PRICES QUITE OFTEN					