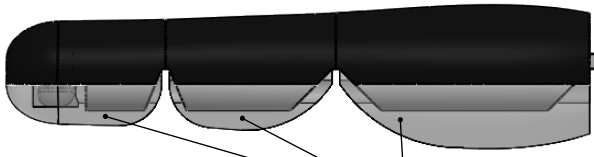
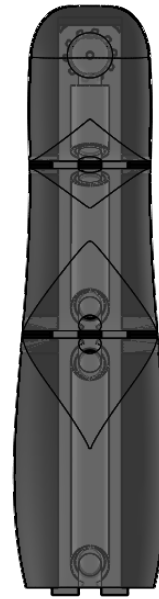
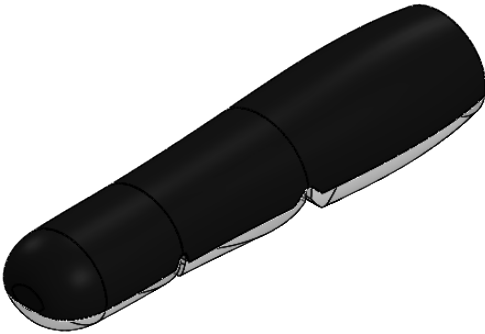


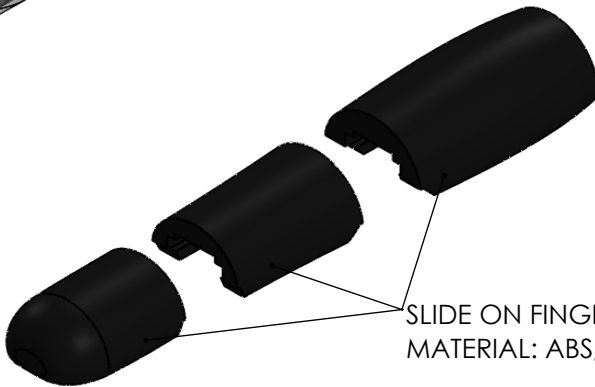
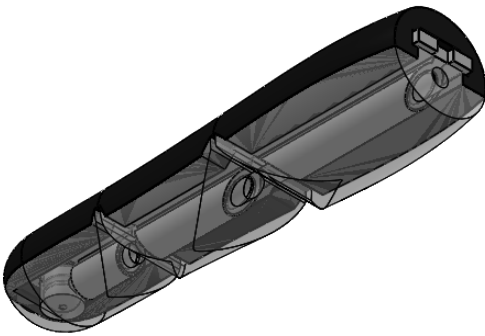
CONCEPT: LEFT HAND INDEX FINGER



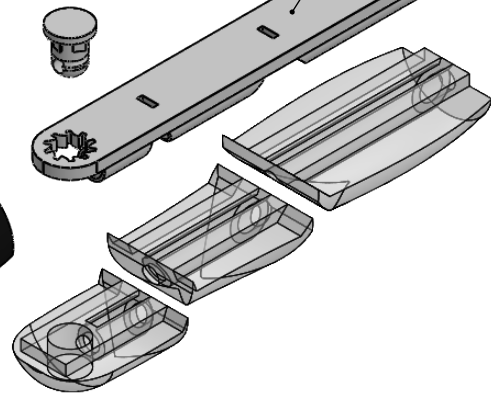
REMOVABLE SILICON GRIPS
SHORE RATING: 25



BASE SKELETON
MATERIAL: NINJAFLEX



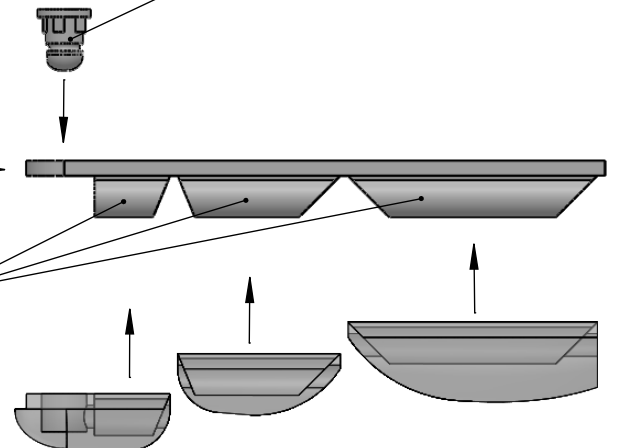
SLIDE ON FINGER CASING
MATERIAL: ABS/PLA



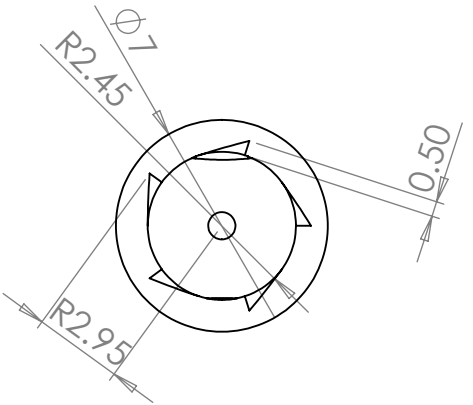
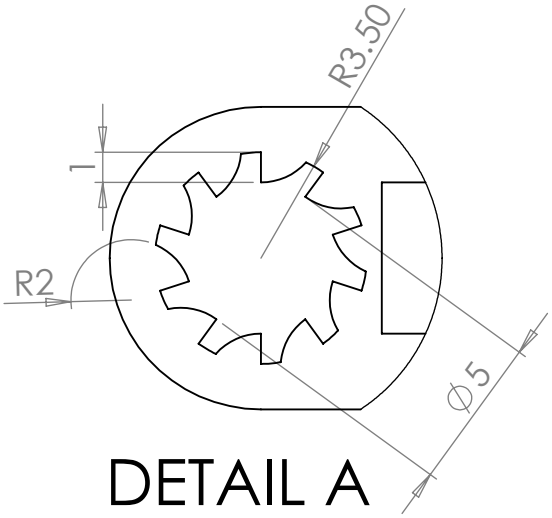
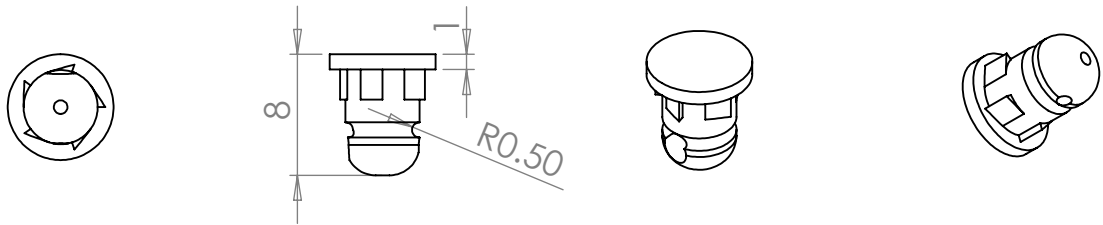
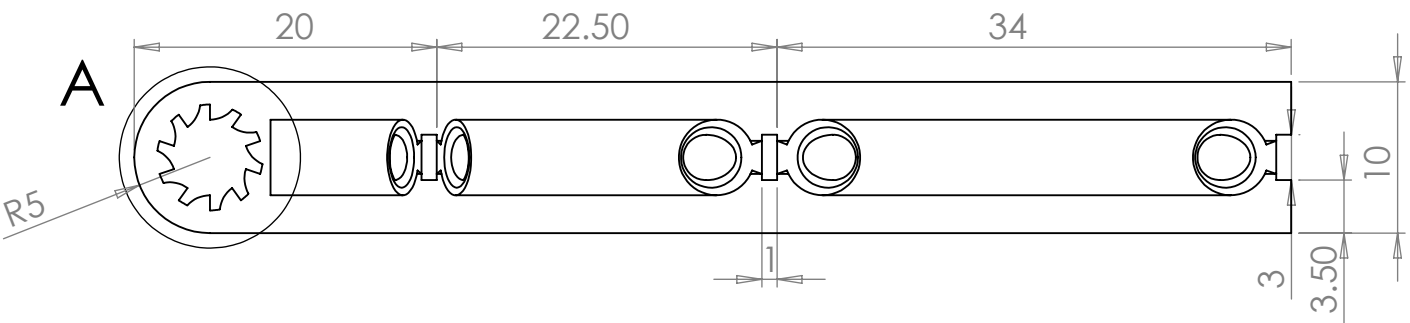
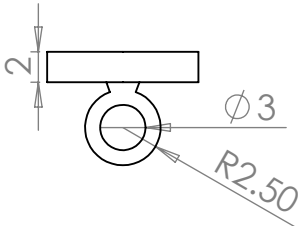
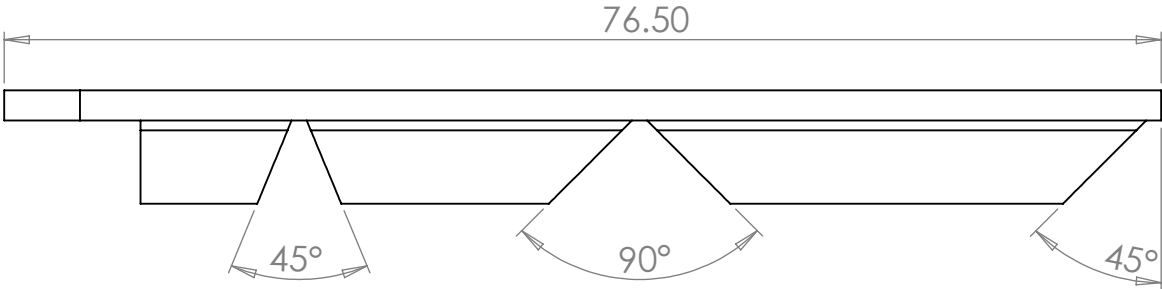
TENSION MECHANISM
MATERIAL: ABS/PLA



CHANNEL FOR TENDON CORD



SKELETON AND TENDON TENSIONER



DETAIL A
SCALE 4 : 1