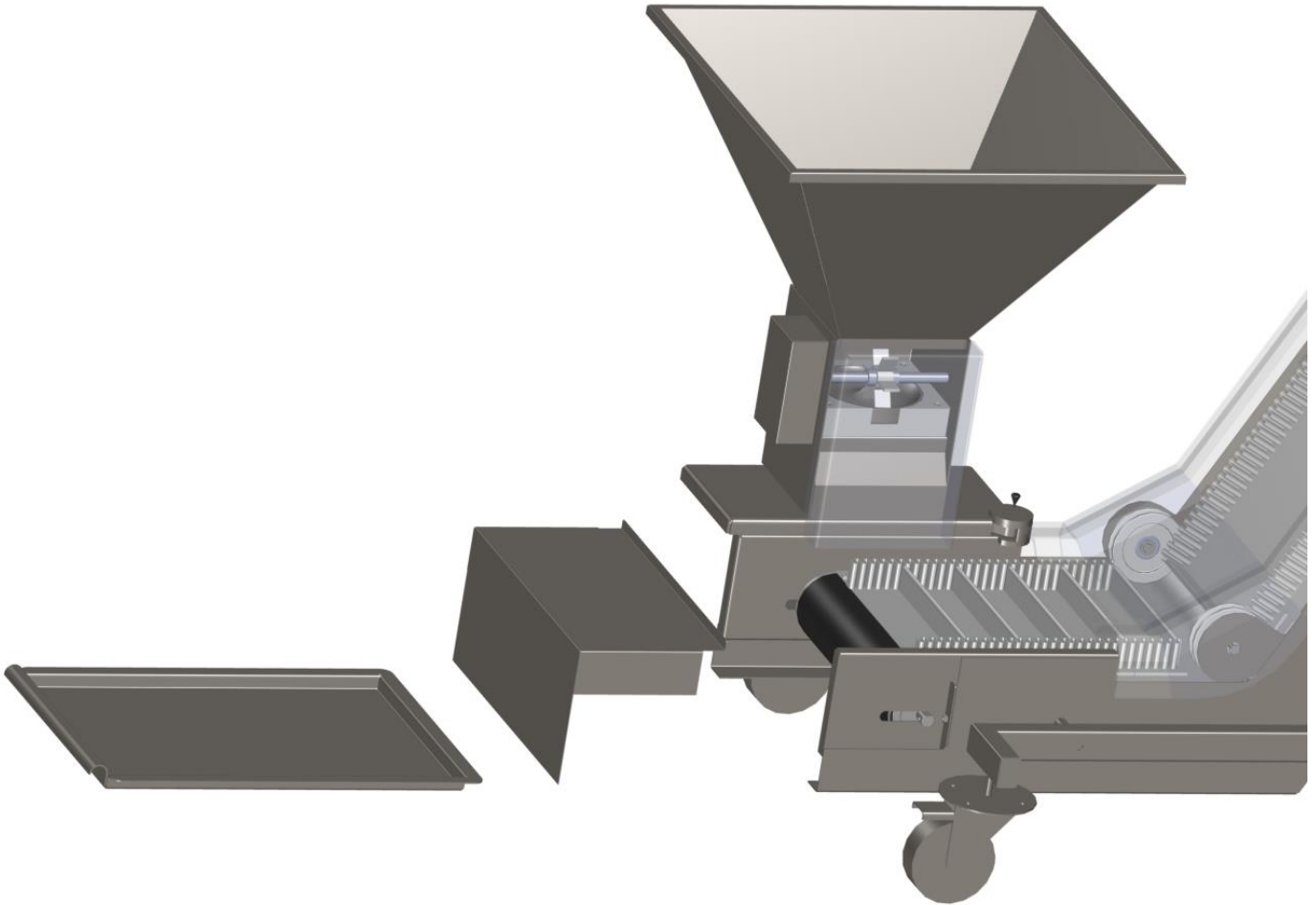


## Cleaning manual



- This conveyor belt is completely rust-free.  
All metal parts are high-grade stainless steel.
- All covers are removeable without any tools.

## 1. Hopper



- Pull out the drawer and empty it
- Remove the front-cover it is mounted with knurled head screws.
- Pull the locating pin up and swing the whole hopper to the side.
- If needed remove additional covers by loosening the particular knurled head screws.

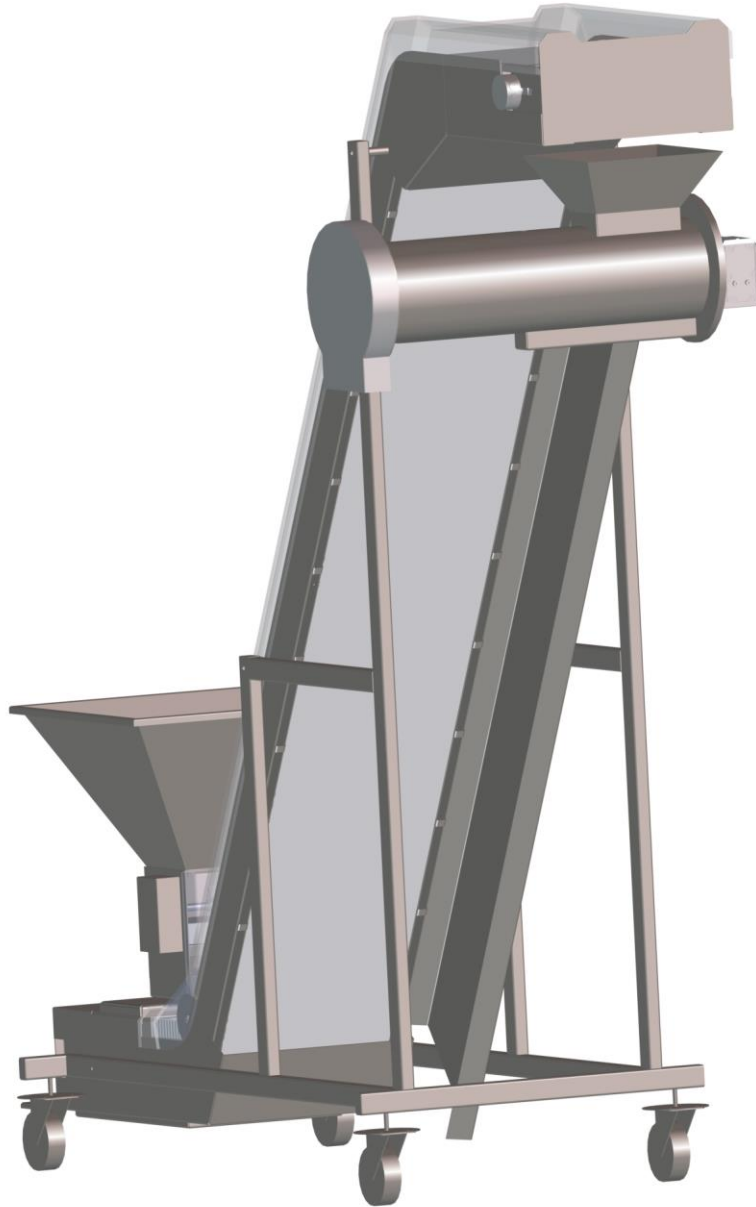
## 2. Conveyor belt

- The conveyor belt can be replaced with a clean one:
  - In the system control choose “position conveyor belt”.



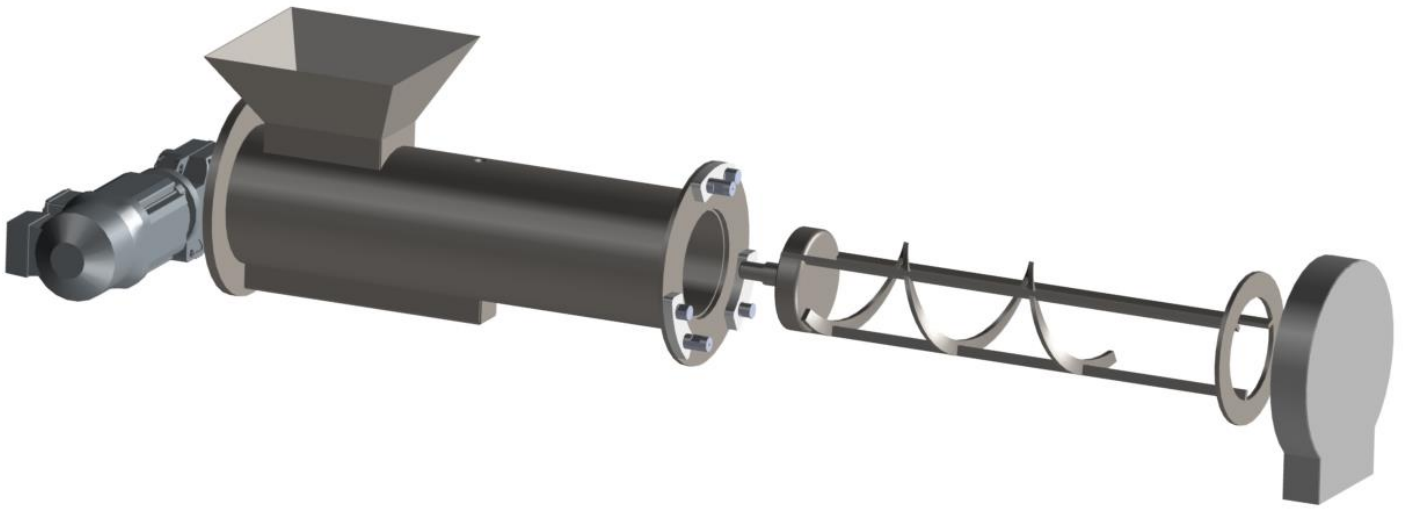
- Loosen the belt tensioner and open the wire hook.
- Attach the clean conveyor belt to the one in the machine.
- Push “position conveyor belt” again and the clean conveyor belt will be pulled through.
- Open the wire hook again and take away the used conveyor belt. It can now be cleaned ideally without any difficulty.
- Fasten the belt tensioner.

- If it isn't necessary to replace the conveyor belt:
  - All upper covers can be removed by loosening the knurled head screws.



- The lower side cover is attached to the machine on the one side with hinges and on the other side with quick release clamps. It can be swung to the side.

### **3. Homogenising screw**



- To clean the homgenising screw remove the front cover.
- If needed the spiral can be withdrawn:  
Push the fixing clamps aside and pull the front ring.