



SECTION 26 50 00  
ARCHITECTURAL LIGHTING SPECIFICATIONS

Contents:

LIGHTING FIXTURE SCHEDULE  
LIGHTING ZONE SCHEDULE  
LIGHTING FIXTURE CATALOG CUT SHEETS

Date:  
MARCH 24, 2017 - ADDENDUM 2

Project:  
GREENWICH LANE 14TH FLOOR, APT 15S  
NEW YORK, NEW YORK

Lighting Consultant:  
Ventresca Design, LLC  
44-02 Eleventh Street, Suite 203  
Long Island City, NY 11101 USA  
T. 212 600 0033  
info@ventrescadesign.com

Architect:  
Groves & Co.  
210 Eleventh Ave, No.502  
New York, NY 10001  
T.212 929 5221  
F.212 929 4463

The Architect and Contract Partner shall protect the use, ownership and integrity of this document and agrees to use the information only for the project stated above, and shall not distribute this document to third parties.

The following Specifications shall be read in conjunction with all related drawings, calculations, reports and data sheets provided.

The information contained in this document is Copyright ©2017 Ventresca Design, LLC.

# Greenwich Lane Fixture Schedule

**Note:** Verify all components and quantities. Refer to product specifications for complete fixture data.

FixtureType	Fixture Specification	Lamp Specification	Fixture Wattage	Load Type	Fixture Voltage		Accessories	Mounting
<b>L01</b>	USAI 2433-B1-S-10 LSLA3-8418-WGD1 -2722KH-30-NC-120V-DIML3-AL20D	Integral warm dimming LED, 2700K to 2200K, 900 lm, 90+ CRI, 32lm/w	18w	FWD PHASE	120		AL20D 35° Optic lens	Recessed ceiling

Recessed adjustable LED downlight with 3" square trimless beveled lensed trim. Finish White

- 1) Fixture is flangeless, for installation in sheetrock ceiling.
- 2) Contractor to order housing/frame-in kit as required.
- 3) Verify ceiling thickness and finish with Architect prior to ordering.
- 4) Verify fixture finish with Architect prior to ordering.
- 5) Furnish fixture with Lutron Hi-Lume 2-wire phase dimming driver.
- 6) Furnish fixture with 90+CRI LED.

<b>L01A</b>	USAI 2433-B1-S-10 LSLA3-8412-WGD1 -2722KH-30-NC-120V-DIML3-AL20D	Integral warm dimming LED, 2700K to 2200K, 675lm, 90+ CRI, 37lm/w	12w	FWD PHASE	120		AL30D 40° Optic lens	Recessed ceiling
-------------	--	---	-----	-----------	-----	--	----------------------	------------------

Recessed adjustable LED downlight with 3" square trimless beveled lensed trim. Finish White

- 1) Fixture is flangeless, for installation in sheetrock ceiling.
- 2) Contractor to order housing/frame-in kit as required.
- 3) Verify ceiling thickness and finish with Architect prior to ordering.
- 4) Verify fixture finish with Architect prior to ordering.
- 5) Furnish fixture with Lutron Hi-Lume 2-wire phase dimming driver.
- 6) Furnish fixture with 90+CRI LED.

<b>L01B</b>	USAI 2411W-B1-S-10/LSLD3-9020-M2-27KH -50-FT-120V-DIML9-CM27	Integral 2700K LED, 840lm, 90+ CRI, 42lm/w, 50° beam	20w	FWD PHASE	120			Recessed ceiling
-------------	--	--	-----	-----------	-----	--	--	------------------

Recessed adjustable LED downlight with 3" square trimless beveled lensed trim and low profile housing. Finish White

- 1) Fixture is flangeless, for installation in sheetrock ceiling.
- 2) Contractor to order housing/frame-in kit as required.
- 3) Verify ceiling thickness and finish with Architect prior to ordering.
- 4) Verify fixture finish with Architect prior to ordering.

<b>L02</b>	USAI 2433-W-B1-S-10 LSLA3-8418-WGD1 -2722KH-30-NC-120W-DIML3-AL20D (HOUSING)	Integral warm dimming LED, 2700K to 2200K, 900lm, 90+ CRI, 32lm/w	18w	FWD PHASE	120		AL20D 35° Optic lens	Recessed ceiling
------------	---	---	-----	-----------	-----	--	----------------------	------------------

Recessed adjustable LED downlight with 3" square trimless beveled lensed trim. Finish White

- 1) Fixture is flangeless, for installation in sheetrock ceiling.
- 2) Contractor to order housing/frame-in kit as required.
- 3) Verify ceiling thickness and finish with Architect prior to ordering.
- 4) Verify fixture finish with Architect prior to ordering.
- 5) Furnish fixture with Lutron Hi-Lume 2-wire phase dimming driver.
- 6) Furnish fixture with 90+ CRI LED.

# Greenwich Lane Fixture Schedule

**Note:** Verify all components and quantities. Refer to product specifications for complete fixture data.

FixtureType	Fixture Specification	Lamp Specification	Fixture Wattage	Load Type	Fixture Voltage		Accessories	Mounting
<b>L03</b>	USAI 2553-B1-10 LSLW3-6018-WGD1 -2722KH-NC-120V-DIML3	Integral warm dimming LED, 2700K to 2200K, 900 lm, 90+ CRI, 24lm/w	18w	FWD PHASE	120V			Recessed Ceiling

Recessed adjustable LED wall washer with 3" square trimless beveled lensed trim. Finish white

- 1) Fixture is flangeless, for installation in sheetrock ceiling.
- 2) Verify ceiling thickness and finish with Architect prior to ordering.
- 3) Contractor to order housing/frame-in kit as required.
- 4) Verify fixture finish with Architect prior to ordering.
- 5) Furnish fixture with Lutron Hi-Lume 2-wire phase dimming driver.
- 6) Furnish fixture with 90+ CRI LED.

<b>L03A</b>	USAI B3SWP-20M2-27KH-WH-FT-120V-D19- CM27	Integral 2700K LED, 900 lm, 90+ CRI, 45lm/w	20w	FWD PHASE	120V			Recessed Ceiling
-------------	---	--	-----	--------------	------	--	--	------------------

Recessed adjustable LED wall washer with 3" square trimless beveled lensed trim and low profile housing. Finish white

- 1) Fixture is flangeless, for installation in sheetrock ceiling.
- 2) Verify ceiling thickness and finish with Architect prior to ordering.
- 3) Contractor to order housing/frame-in kit as required.
- 4) Verify fixture finish with Architect prior to ordering.

<b>L04</b>	USAI 1011-B1-10 LSLD4-9014-M2-27KS-50- NCSM1-120V-DIML2	Integral 2700K LED, 1100lm, 68lm/w. Furnish fixture with 90+CRI LED.	14w	0-10V	120VAC			Recessed
------------	---	---	-----	-------	--------	--	--	----------

Recessed 4.5" square flangeless, bevel, lensed downlight.

- 1) Verify ceiling thickness and finish with Architect prior to ordering.

<b>L05</b>	USAI 2433-B1-F-10 LSLA3-8418-WGD1 -2722KH-30-NC-120V-DIML3-AL55D	Integral warm dimming LED, 2700K to 2200K, 900 lm, 90+ CRI, 32lm/w	18w	FWD PHASE	120V		AL20D 55° Optic lens	Recessed ceiling
------------	--	---	-----	--------------	------	--	----------------------	------------------

Recessed adjustable LED downlight with 3" square trimless beveled frosted lensed trim. Finish White

- 1) Verify ceiling thickness and finish with Architect prior to ordering.
- 2) Fixture is flangeless, for installation in sheetrock ceiling.
- 3) Contractor to order housing/frame-in kit as required.

<b>L10</b>	Pinnacle Architectural Lighting EV1HE-27-2-SF-120-1C-W	Integral 2700K LED, 90+ CRI, 880 lm	14w	0-10V	120			Recessed
------------	---	-------------------------------------	-----	-------	-----	--	--	----------

Recessed linear lensed flangeless LED fixture. Nominal fixture dimensions 24" L x 1.5" W x 3.5" H

- 1) Fixture shall be furnished with mounting and electrical connection hardware accessories as required for proper installation.
- 2) Verify required fixture lengths with final architectural drawings prior to ordering.

# Greenwich Lane Fixture Schedule

**Note:** Verify all components and quantities. Refer to product specifications for complete fixture data.

FixtureType	Fixture Specification	Lamp Specification	Fixture Wattage	Load Type	Fixture Voltage		Accessories	Mounting
<b>L11</b>	Backlight Magic Cloud-14W-2700K (See notes for size)	Integral 2700K LED, 4.3w/ft of longest edge of panel. 80+CRI, 554lm/ft.	21.5w	FWD PHASE	120VAC			Surface

Luminous LED light panel with acrylic lens, custom size, 4" x 60"

Driver: Remote dimming LED driver, sized as required per application.

- 1) Verify final lengths and quantities with millwork drawings prior to ordering.
- 2) Fixture shall be furnished with mounting and electrical connection hardware accessories as required for proper installation.
- 3) Lighting supplier shall allow for furnishing samples for bath vanity mockup.
- 4) For availability and pricing contact:  
LitesOn West - 212.775-6363

<b>L11X</b>	Lutron LTEA4U1UKL-CV240			FWD PHASE	120VAC			Surface
-------------	----------------------------	--	--	-----------	--------	--	--	---------

Remote forward phase dimming driver, 40W 120VAC primary, 24 V secondary.

- 1) Contractor to verify location of remote ballasts/ drivers/transformers/power supplies with Architect.
- 2) Verify final capacity and quantity of drivers with application prior to ordering.
- 3) Remote drivers shall be located in a nearby, accessible, well-ventilated, dry, location.

<b>L12</b>	Backlight Magic Cloud-14W-2700K (See notes for size)	Integral 2700K LED, 4.3w/ft of longest edge of panel. 80+CRI, 554lm/ft.	21.5w	FWD PHASE	120VAC			Surface
------------	---	---	-------	-----------	--------	--	--	---------

Luminous LED light panel with acrylic lens, custom size, 4" x 60"

Driver: Remote dimming LED driver, sized as required per application.

- 1) Verify final lengths and quantities with millwork drawings prior to ordering.
- 2) Fixture shall be furnished with mounting and electrical connection hardware accessories as required for proper installation.
- 3) Lighting supplier shall allow for furnishing samples for bath vanity mockup.
- 4) For availability and pricing contact:  
LitesOn West - 212.775-6363

<b>L12X</b>	Lutron LTEA4U1UKL-CV240			FWD PHASE	120VAC			Surface
-------------	----------------------------	--	--	-----------	--------	--	--	---------

Remote forward phase dimming driver, 40W 120VAC primary, 24 V secondary.

- 1) Contractor to verify location of remote ballasts/ drivers/transformers/power supplies with Architect.
- 2) Verify final capacity and quantity of drivers with application prior to ordering.
- 3) Remote drivers shall be located in a nearby, accessible, well-ventilated, dry, location.

# Greenwich Lane Fixture Schedule

**Note:** Verify all components and quantities. Refer to product specifications for complete fixture data.

FixtureType	Fixture Specification	Lamp Specification	Fixture Wattage	Load Type	Fixture Voltage		Accessories	Mounting
<b>L13</b>	Backlight Magic Cloud-14W-2700K (See notes for size)	Integral 2700K LED, 4.3w/ft of longest edge of panel. 80+CRI, 554lm/ft.	36w	FWD PHASE	120VAC			Surface

Luminous LED light panel with acrylic lens, custom size, 4" x 100"

Driver: Remote dimming LED driver, sized as required per application.

- 1) Verify final lengths and quantities with millwork drawings prior to ordering.
- 2) Fixture shall be furnished with mounting and electrical connection hardware accessories as required for proper installation.
- 3) Lighting supplier shall allow for furnishing samples for bath vanity mockup.
- 4) For availability and pricing contact:  
LitesOn West - 212.775-6363

<b>L13X</b>	Lutron LTEA4U1UKL-CV240			FWD PHASE	120VAC			Surface
-------------	----------------------------	--	--	-----------	--------	--	--	---------

Remote forward phase dimming driver, 40W 120VAC primary, 24 V secondary.

- 1) Contractor to verify location of remote ballasts/ drivers/transformers/power supplies with Architect.
- 2) Verify final capacity and quantity of drivers with application prior to ordering.
- 3) Remote drivers shall be located in a nearby, accessible, well-ventilated, dry, location.

<b>L14/ L14X</b>	Cantalupi Lighting YO-CARPI-L03WA-SA-SS-13-M000	Integral LED	3w	NON-DIM	120VAC			
------------------	--	--------------	----	---------	--------	--	--	--

Small profile LED nightlight. 1.7" diameter, .4" tall. Polished stainless steel finish. Wet listed.

Driver: Requires remote constant current LED driver.

- 1) Verify finish with Architect prior to ordering.

<b>L20</b>	Viabizzuno 89 24-27-LE	5.3W/ft Integral 2700K LED, 90+ CRI	5w/LF	MLV	24V			
------------	---------------------------	-------------------------------------	-------	-----	-----	--	--	--

Surface mount linear LED strip, 96" linear fixture with frosted lens, finished white .

- 1) Verify final lengths and quantities with millwork drawings prior to ordering.
- 2) Fixture shall be furnished with mounting and electrical connection hardware accessories as required for proper installation.

<b>L20X</b>	Justin Inc. 961-24DCR	n/a	96w	MLV	120			Surface
-------------	--------------------------	-----	-----	-----	-----	--	--	---------

120VAC Primary, 24VDC Secondary, 4A, 96W Dimmable Remote Driver

- 1) Contractor to order power supplies/ballasts/transformers/drivers as required.
- 2) Contractor to verify location of remote ballasts/ drivers/transformers/power supplies with Architect.
- 3) Fixture shall be furnished with mounting and electrical connection hardware accessories as required for proper installation.
- 4) All remote drivers shall be located in an accessible, well-ventilated, dry location.

# Greenwich Lane Fixture Schedule

**Note:** Verify all components and quantities. Refer to product specifications for complete fixture data.

FixtureType	Fixture Specification	Lamp Specification	Fixture Wattage	Load Type	Fixture Voltage		Accessories	Mounting
<b>L21</b>	Viabizzuno Angolo 13 x 13 Series - 2700K LED	Integral 2700K LED, 5w/ft, 323lm/ft, 95 CRI	5w/LF	MLV	24			Surface

Low profile linear LED fixture with angled aluminum channel for asymmetrical distribution and polycarbonate diffuser. Nominal fixture dimensions 0.5" W x 0.5" H  
Driver: See L21X spec for remote constant voltage LED driver

- 1) Verify final lengths and quantities with millwork drawings prior to ordering.
- 2) Fixture shall be furnished with mounting and electrical connection hardware accessories as required for proper installation.
- 3) Verify aluminum extrusion finish with Architect prior to ordering.

<b>L21X</b>	Justin Inc. 961-24DCR	n/a	96w	MLV	120			Surface
-------------	--------------------------	-----	-----	-----	-----	--	--	---------

120VAC Primary, 24VDC Secondary, 4A, 96W Dimmable Remote Driver

- 1) Contractor to order power supplies/ballasts/transformers/drivers as required.
- 2) Contractor to verify location of remote ballasts/ drivers/transformers/power supplies with Architect.
- 3) Fixture shall be furnished with mounting and electrical connection hardware accessories as required for proper installation.
- 4) All remote drivers shall be located in an accessible, well-ventilated, dry location.

<b>L31</b>	BK MN-LED-E70-NFL-BZP-12-11-B-360SL	3W 2700K Integral LED, 100 lm	3w	MLV	12		SK Stake	Stake
------------	--	-------------------------------	----	-----	----	--	----------	-------

Exterior rated stake mounted LED accent light with narrow flood optics. Requires remote driver. Finish: Bronze

- 1) Fixture shall be furnished with mounting and electrical connection hardware accessories as required for proper installation.
- 2) Verify fixture finishes with Architect prior to ordering.

<b>L31X</b>	BK TR150-120	N/A		MLV	120			Surface
-------------	-----------------	-----	--	-----	-----	--	--	---------

150W Outdoor rated remote Magnetic transformer in metal enclosure

- 1) Contractor to verify location of remote ballasts/ drivers/transformers/power supplies with Architect.
- 2) Fixture shall be furnished with mounting and electrical connection hardware accessories as required for proper installation.
- 3) Remote driver to be located in nearby, accessible, well-ventilated location.

<b>L32</b>	MP Lighting L370-L01-2-W27H-N-F-D-S-0-BZ	Integral LED, 2700K 82 lm, 90+ CRI, 30° beam optic	3w	ELV	120			Recessed at Trellis
------------	---	---	----	-----	-----	--	--	---------------------

Exterior rated recessed downlight with tempered glass lens.

Finish: Bronze

- 1) Fixture shall be furnished with mounting and electrical connection hardware accessories as required for proper installation.
- 2) Verify fixture finish with Architect prior to ordering.

# Greenwich Lane Fixture Schedule

**Note:** Verify all components and quantities. Refer to product specifications for complete fixture data.

FixtureType	Fixture Specification	Lamp Specification	Fixture Wattage	Load Type	Fixture Voltage		Accessories	Mounting
L32X	MP Lighting LED18W700iB	N/A		ELV	120			Surface

18W 700mA constant current driver

- 1) Contractor to verify location of remote ballasts/ drivers/transformers/power supplies with Architect.
- 2) Fixture shall be furnished with mounting and electrical connection hardware accessories as required for proper installation.
- 3) Remote driver to be located in nearby, accessible, well-ventilated location.

L33	BK CM-LED-e70-Finish TBD	Integral 2700K LED, 120lm, 90 CRI	3w	LED	12			Recessed wall mount
-----	-----------------------------	-----------------------------------	----	-----	----	--	--	---------------------

Recessed wall mount LED step light.

- 1) Confirm fixture finish with Architect prior to ordering.
- 2) Fixture shall be furnished with mounting and electrical connection hardware accessories as required for proper installation.

LCD	Decorative Pendant TBD Per Interior Design FF&E Specs	Refer to interior design FF&E specification for more information.	300w	INC	120VAC			Ceiling
-----	--	--	------	-----	--------	--	--	---------

- DECORATIVE PENDANT/CEILING LIGHT PER INTERIOR DESIGN FF&E.  
REFER TO INTERIOR DESIGN FF&E SPECIFICATIONS FOR MORE INFORMATION.  
\*\*ALLOW 300W PER LOCATION\*\*
- 1) Verify lighting load and load type with final interior design specifications.

LFR	By Others Wall Switched Outlet	N/A		INC	120VAC			
-----	-----------------------------------	-----	--	-----	--------	--	--	--

Floor switched or dimming receptacle for the purpose of powering cord & plug decorative lighting fixtures.

- 1) Shown for intent only, refer to Architect's specifications for the exact model and finish of wall receptacles. If dimming is required, only NEC compliant receptacles for dimming circuits shall be used.

LOR	TBD Exterior Half Switched Outlet	N/A		INC	120VAC			
-----	--------------------------------------	-----	--	-----	--------	--	--	--

Exterior half switched outlet for the purpose of powering cord & plug decorative lighting fixtures.

- 1) Shown for intent only, refer to Architect's specifications for the exact model and finish of wall receptacles. If dimming is required, only NEC compliant receptacles for dimming circuits shall be used.

LWR	TBD Wall Switched Outlet	N/A		INC	120VAC			
-----	-----------------------------	-----	--	-----	--------	--	--	--

Wall switched or dimming receptacle for the purpose of powering cord & plug decorative lighting fixtures.

- 1) Shown for intent only, refer to Architect's specifications for the exact model and finish of wall receptacles. If dimming is required, only NEC compliant receptacles for dimming circuits shall be used.

Greenwich Lane						Addendum 2 - Lighting Zone Schedule				
New York, New York						Revised: 03-24-2017				
FIXTURE	ZONE	ZONE	FIX.	FIXTURE	FIXTURE	LAMP	LOAD	CIRCUIT	FIXTURE	TOTAL
LOCATION	NUMBER	DESCRIPTION	QTY.	TYPE	DESCRIPTION	TYPE	TYPE	VOLTAGE	WATTS	WATTS
ENTRY 100	01.01	GENERAL DOWNLIGHTS	2	L01	RECESSED LED DOWNLIGHT TRIMLESS	INTEGRAL WARM DIM LED	FWD PHASE	120VAC	18 w	36 w
	01.02	SWITCHED/ DIMMING WALL OUTLET	1	L-WR	SWITCHED/ DIMMING WALL RECEPTACLE (LUTRON NTR-15-HFDU OR EQUIVALENT)	N/A	N/A	120VAC	w	w
GALLERY 101	01.03	ART ACCENTS AND DOWNLIGHTS	9	L01	RECESSED LED DOWNLIGHT TRIMLESS	INTEGRAL WARM DIM LED	FWD PHASE	120VAC	18 w	162 w
	01.04	GENERAL DOWNLIGHTS	4	L01	RECESSED LED DOWNLIGHT TRIMLESS	INTEGRAL WARM DIM LED	FWD PHASE	120VAC	18 w	72 w
	01.05	SWITCHED/ DIMMING WALL OUTLET	1	L-WR	SWITCHED/ DIMMING WALL RECEPTACLE (LUTRON NTR-15-HFDU OR EQUIVALENT)	N/A	N/A	120VAC	w	w
		SWITCHED/ DIMMING FLOOR OUTLET	1	L-FR	SWITCHED/ DIMMING FLOOR RECEPTACLE	N/A	N/A	120VAC	w	w
KITCHEN 102	01.06	CEILING MOUNT DECORATIVE	3	L-CD	DECORATIVE CEILING LIGHT TBD PER INTERIOR DESIGNER	TBD	INC	120VAC	300 w	900 w
	01.07	GENERAL DOWNLIGHTS	13	L01	RECESSED LED DOWNLIGHT TRIMLESS	INTEGRAL WARM DIM LED	FWD PHASE	120VAC	18 w	234 w
	01.08	UNDERCABINET TASK LIGHT	22 ft.	L20	UNDERCABINET LINEAR LED LIGHT	INTEGRAL 2700K LED	MLV	24VDC	5 w/ft	110 w
		REMOTE DRIVER	3	L20X	REMOTE DRIVER	N/A	MLV	120VAC	w	w
BREAKFAST RM 103	01.09	CEILING MOUNT DECORATIVE	1	L-CD	DECORATIVE CEILING LIGHT TBD PER INTERIOR DESIGNER	TBD	INC	120VAC	300 w	300 w
	01.10	GENERAL DOWNLIGHTS	7	L01	RECESSED LED DOWNLIGHT TRIMLESS	INTEGRAL WARM DIM LED	FWD PHASE	120VAC	18 w	126 w
	01.11	SWITCHED/ DIMMING WALL OUTLET	1	L-WR	SWITCHED/ DIMMING WALL RECEPTACLE (LUTRON NTR-15-HFDU OR EQUIVALENT)	N/A	N/A	120VAC	w	w
DINING RM 104	01.13	DINING DOWNLIGHTS	2	L01	RECESSED LED DOWNLIGHT TRIMLESS	INTEGRAL WARM DIM LED	FWD PHASE	120VAC	18 w	36 w
	01.14	NICHE ACCENT DOWNLIGHT	1	L01A	RECESSED LED DOWNLIGHT TRIMLESS	INTEGRAL WARM DIM LED	FWD PHASE	120VAC	12 w	12 w
	01.15	CEILING MOUNT DECORATIVE	1	L-CD	DECORATIVE CEILING LIGHT TBD PER INTERIOR DESIGNER	TBD	INC	120VAC	300 w	300 w
	01.16	SWITCHED/ DIMMING WALL OUTLET	1	L-WR	SWITCHED/ DIMMING WALL RECEPTACLE (LUTRON NTR-15-HFDU OR EQUIVALENT)	N/A	N/A	120VAC	w	w
		SWITCHED/ DIMMING FLOOR OUTLET	1	L-FR	SWITCHED/ DIMMING FLOOR RECEPTACLE	N/A	N/A	120VAC	w	w

FIXTURE	ZONE	ZONE	FIX.	FIXTURE	FIXTURE	LAMP	LOAD	CIRCUIT	FIXTURE	TOTAL
LOCATION	NUMBER	DESCRIPTION	QTY.	TYPE	DESCRIPTION	TYPE	TYPE	VOLTAGE	WATTS	WATTS
LIVING RM 105	01.17	STTING AREA DOWNLIGHTs	6	L01	RECESSED LED DOWNLIGHT TRIMLESS	INTEGRAL WARM DIM LED	FWD PHASE	120VAC	18 w	108 w
	01.18	SWITCHED/ DIMMING WALL OUTLET	2	L-WR	SWITCHED/ DIMMING WALL RECEPTACLE (LUTRON NTR-15-HFDU OR EQUIVALENT)	N/A	N/A	120VAC	w	w
		SWITCHED/ DIMMING FLOOR OUTLET	2	L-FR	SWITCHED/ DIMMING FLOOR RECEPTACLE	N/A	N/A	120VAC	w	w
	01.19	GENERAL DOWNLIGHT	4	L01	RECESSED LED DOWNLIGHT TRIMLESS	INTEGRAL WARM DIM LED	FWD PHASE	120VAC	18 w	72 w
	01.20	GENERAL DOWNLIGHT	1	L01	RECESSED LED DOWNLIGHT TRIMLESS	INTEGRAL WARM DIM LED	FWD PHASE	120VAC	18 w	18 w
		ART LIGHT	10	L03	RECESSED WALL WASHER TRIMLESS	INTEGRAL WARM DIM LED	FWD PHASE	120VAC	18 w	180 w
01.21	DRAPERY LIGHTING	8	L01	RECESSED LED DOWNLIGHT TRIMLESS	INTEGRAL WARM DIM LED	FWD PHASE	120VAC	18 w	144 w	
MEDIA RM 106	01.25	GENERAL DOWNLIGHTS	9	L01	RECESSED LED DOWNLIGHT TRIMLESS	INTEGRAL WARM DIM LED	FWD PHASE	120VAC	18 w	162 w
	01.26	SWITCHED/ DIMMING WALL OUTLET	2	L-WR	SWITCHED/ DIMMING WALL RECEPTACLE (LUTRON NTR-15-HFDU OR EQUIVALENT)	N/A	N/A	120VAC	w	w
POWDER RM 108	01.27	GENERAL DOWNLIGHTS	2	L01	RECESSED LED DOWNLIGHT TRIMLESS	INTEGRAL WARM DIM LED	FWD PHASE	120VAC	18 w	36 w
	01.28	VANITY LIGHT	2	L11	GUEST BATH VANITY LIGHT	INTEGRAL 2700K LED	FWD PHASE	120VAC	22 w	43 w
		REMOTE DRIVER	2	L11X	REMOTE DRIVER	0 w	FWD	120VAC	w	w
CORRIDOR 107	01.29	GENERAL DOWNLIGHTS	1	L01	RECESSED LED DOWNLIGHT TRIMLESS	INTEGRAL WARM DIM LED	FWD PHASE	120VAC	18 w	18 w
		ART LIGHTING	7	L03	RECESSED WALL WASHER TRIMLESS	INTEGRAL WARM DIM LED	FWD PHASE	120VAC	18 w	126 w
	01.30	GENERAL DOWNLIGHTS	2	L01	RECESSED LED DOWNLIGHT TRIMLESS	INTEGRAL WARM DIM LED	FWD PHASE	120VAC	18 w	36 w
		ART LIGHTING	3	L03	RECESSED WALL WASHER TRIMLESS	INTEGRAL WARM DIM LED	FWD PHASE	120VAC	18 w	54 w
	LOCAL JAMB	DELETED	0	L10	LED CLOSET LIGHT	INTEGRAL 2700K LED	0-10V	120VAC	14 w	w
	LOCAL JAMB	LINEN CLOSET LIGHTING	1	L10	LED CLOSET LIGHT	INTEGRAL 2700K LED	0-10V	120VAC	14 w	14 w
	LOCAL JAMB	AV CLOSET LIGHTING	1	L10	LED CLOSET LIGHT	INTEGRAL 2700K LED	0-10V	120VAC	14 w	14 w
	LOCAL JAMB	OFFICE CLOSET LIGHTING	3 ft.	L21	INTEGRAL MILLWORK LED LIGHTING	INTEGRAL 2700K LED	MLV	24VDC	5 w	15 w
			1	L21X	TRANSFORMER	N/A	MLV	120VAC	w	w

FIXTURE	ZONE	ZONE	FIX.	FIXTURE	FIXTURE	LAMP	LOAD	CIRCUIT	FIXTURE	TOTAL
LOCATION	NUMBER	DESCRIPTION	QTY.	TYPE	DESCRIPTION	TYPE	TYPE	VOLTAGE	WATTS	WATTS
LOCAL JAMB	LOCAL JAMB	COAT/LUGGAGE CLOSET LIGHT	1	L10	LED CLOSET LIGHT	INTEGRAL 2700K LED	0-10V	120VAC	14 w	14 w
			5 ft.	L21	INTEGRAL MILLWORK LED LIGHTING	INTEGRAL 2700K LED	MLV	24VDC	5 w/ft	25 w
			1	L21X	TRANSFORMER	N/A	MLV	120VAC	w	w
BEDROOM 109	01.31	SWITCHED/ DIMMING WALL OUTLET	2	L-WR	SWITCHED/ DIMMING WALL RECEPTACLE (LUTRON NTR-15-HFDU OR EQUIVALENT)	N/A	N/A	120VAC	w	w
	01.32	SWITCHED/ DIMMING WALL OUTLET	2	L-WR	SWITCHED/ DIMMING WALL RECEPTACLE (LUTRON NTR-15-HFDU OR EQUIVALENT)	N/A	N/A	120VAC	w	w
	01.33	GENERAL DOWNLIGHTS	6	L01	RECESSED LED DOWNLIGHT TRIMLESS	INTEGRAL WARM DIM LED	FWD PHASE	120VAC	18 w	108 w
	LOCAL JAMB	CLOSET LIGHTING	5 ft.	L21	INTEGRAL MILLWORK LED LIGHTING	INTEGRAL 2700K LED	MLV	24VDC	5 w/ft	25 w
		REMOTE DRIVER	1	L21X	TRANSFORMER	N/A	MLV	120VAC	w	w
	LOCAL JAMB	CLOSET LIGHTING	10 ft.	L21	INTEGRAL MILLWORK LED LIGHTING	INTEGRAL 2700K LED	MLV	24VDC	5 w/ft	50 w
		REMOTE DRIVER	1	L21X	TRANSFORMER	N/A	MLV	120VAC	w	w
	LOCAL JAMB	CLOSET LIGHTING	5 ft.	L21	INTEGRAL MILLWORK LED LIGHTING	INTEGRAL 2700K LED	MLV	24VDC	5 w/ft	25 w
REMOTE DRIVER		1	L21X	TRANSFORMER	N/A	MLV	120VAC	w	w	
GUEST BATH 110	01.34	VANITY LIGHT	2	L11	GUEST BATH VANITY LIGHT	INTEGRAL 2700K LED	FWD PHASE	120VAC	22 w	43 w
		REMOTE DRIVER	2	L11X	REMOTE DRIVER	0 w	FWD	120VAC	w	w
	01.35	GENERAL DOWNLIGHTS	2	L01	RECESSED LED DOWNLIGHT TRIMLESS	INTEGRAL WARM DIM LED	FWD PHASE	120VAC	18 w	36 w
		SHOWER DOWNLIGHT	1	L02	RECESSED LED DOWNLIGHT TRIMLESS -WET	INTEGRAL WARM DIM LED	FWD PHASE	120VAC	18 w	18 w
GYM 111	01.36	GENERAL DOWNLIGHT	3	L01	RECESSED LED DOWNLIGHT TRIMLESS	INTEGRAL WARM DIM LED	FWD PHASE	120VAC	18 w	54 w
	01.37	CEILING MOUNT RECESSED LIGHT	4	L05	RECESSED GYM LIGHT	INTEGRAL WARM DIM LED	FWD PHASE	120VAC	18 w	72 w
	LOCAL JAMB	DELETED	0 ft.	L21	INTEGRAL MILLWORK LED LIGHTING	INTEGRAL 2700K LED	MLV	24VDC	5 w/ft	w
		DELETED	0	L21X	TRANSFORMER	N/A	MLV	120VAC	w	w
BATHROOM 112	01.38	VANITY LIGHT	2	L11	GUEST BATH VANITY LIGHT	INTEGRAL 2700K LED	FWD PHASE	120VAC	22 w	43 w
		REMOTE DRIVER	1	L11X	REMOTE DRIVER	0 w	FWD	120VAC	w	w
	01.39	GENERAL DOWNLIGHTS	2	L01	RECESSED LED DOWNLIGHT TRIMLESS	INTEGRAL WARM DIM LED	FWD PHASE	120VAC	18 w	36 w
		SHOWER DOWNLIGHT	2	L02	RECESSED LED DOWNLIGHT TRIMLESS -WET	INTEGRAL WARM DIM LED	FWD PHASE	120VAC	18 w	36 w

FIXTURE	ZONE	ZONE	FIX.	FIXTURE	FIXTURE	LAMP	LOAD	CIRCUIT	FIXTURE	TOTAL
LOCATION	NUMBER	DESCRIPTION	QTY.	TYPE	DESCRIPTION	TYPE	TYPE	VOLTAGE	WATTS	WATTS
LIBRARY 113	01.40	WALL WASHERS	4	L03	RECESSED WALL WASHER TRIMLESS	INTEGRAL WARM DIM LED	FWD PHASE	120VAC	18 w	72 w
	LOCAL JAMB	CLOSET LIGHTING	5 ft.	L21	INTEGRAL MILLWORK LED LIGHTING	INTEGRAL 2700K LED	MLV	24VDC	5 w/ft	25 w
		REMOTE DRIVER	1	L21X	TRANSFORMER	N/A	MLV	120VAC	w	w
SITTING ROOM 114	01.41	GENERAL DOWNLIGHT	3	L01	RECESSED LED DOWNLIGHT TRIMLESS	INTEGRAL WARM DIM LED	FWD PHASE	120VAC	18 w	54 w
	01.42	GENERAL DOWNLIGHT	5	L01	RECESSED LED DOWNLIGHT TRIMLESS	INTEGRAL WARM DIM LED	FWD PHASE	120VAC	18 w	90 w
	01.43	SWITCHED/ DIMMING WALL OUTLET	2	L-WR	SWITCHED/ DIMMING WALL RECEPTACLE (LUTRON NTR-15-HFDU OR EQUIVALENT)	N/A	N/A	120VAC	w	w
MASTER BEDROOM 115	01.44	GENERAL DOWNLIGHTS	2	L01	RECESSED LED DOWNLIGHT TRIMLESS	INTEGRAL WARM DIM LED	FWD PHASE	120VAC	18 w	36 w
	01.45	GENERAL DOWNLIGHTS	7	L01	RECESSED LED DOWNLIGHT TRIMLESS	INTEGRAL WARM DIM LED	FWD PHASE	120VAC	18 w	126 w
	01.46	SWITCHED/ DIMMING WALL OUTLET	1	L-WR	SWITCHED/ DIMMING WALL RECEPTACLE (LUTRON NTR-15-HFDU OR EQUIVALENT)	N/A	N/A	120VAC	w	w
	01.47	BEDSIDE WALL OUTLET	1	L-WR	SWITCHED/ DIMMING WALL RECEPTACLE (LUTRON NTR-15-HFDU OR EQUIVALENT)	N/A	N/A	120VAC	w	w
	01.48	BEDSIDE WALL OUTLET	1	L-WR	SWITCHED/ DIMMING WALL RECEPTACLE (LUTRON NTR-15-HFDU OR EQUIVALENT)	N/A	N/A	120VAC	w	w
DRESSING RM 116	ELEC PANEL ALWAYS ON	NIGHTLIGHT	2	L14	NIGHTLIGHT	INTEGRAL 2700K LED	LED	300mA	3 w	6 w
		REMOTE DRIVER	1	L14X	REMOTE DRIVER	0 w	NON-DIM	120VAC	w	w
	01.50	GENERAL DOWNLIGHTS	7	L01B	RECESSED LED DOWNLIGHT TRIMLESS	INTEGRAL 2700K LED	FWD PHASE	120VAC	20 w	140 w
		CLOSET WASH LIGHT	15	L03A	RECESSED WALL WASHER TRIMLESS	INTEGRAL 2700K LED	FWD PHASE	120VAC	20 w	300 w
	01.51	GENERAL DOWNLIGHTS	3	L01B	RECESSED LED DOWNLIGHT TRIMLESS	INTEGRAL 2700K LED	FWD PHASE	120VAC	20 w	60 w
	01.52	DRESSING MIRROR	2	L13	DRESSING ROOM VANITY LIGHT	INTEGRAL 2700K LED	FWD PHASE	120VAC	22 w	43 w
		REMOTE DRIVER	2	L13X	REMOTE DRIVER	0 w	FWD PHASE	120VAC	w	w
	01.53	INTEGRAL CLOSET LIGHT	47 ft.	L21	INTEGRAL MILLWORK LED LIGHTING	INTEGRAL 2700K LED	MLV	24VDC	5 w/ft	235 w
REMOTE DRIVER		5	L21X	TRANSFORMER	N/A	MLV	120VAC	w	w	
MASTER BATHROOM 117	01.55	GENERAL DOWNLIGHTS	3	L01	RECESSED LED DOWNLIGHT TRIMLESS	INTEGRAL WARM DIM LED	FWD PHASE	120VAC	18 w	54 w
	LOCAL JAMB	CLOSET LIGHT	1	L10	LED CLOSET LIGHT	INTEGRAL 2700K LED	0-10V	120VAC	14 w	14 w
	01.58	WET RATED DOWNLIGHTS	7	L02	RECESSED LED DOWNLIGHT TRIMLESS -WET	INTEGRAL WARM DIM LED	FWD PHASE	120VAC	18 w	126 w

FIXTURE	ZONE	ZONE	FIX.	FIXTURE	FIXTURE	LAMP	LOAD	CIRCUIT	FIXTURE	TOTAL
LOCATION	NUMBER	DESCRIPTION	QTY.	TYPE	DESCRIPTION	TYPE	TYPE	VOLTAGE	WATTS	WATTS
	01.59	VANITY LIGHT	2	L12	MASTER BATH VANITY LIGHT	INTEGRAL 2700K LED	FWD PHASE	120VAC	22 w	43 w
		REMOTE DRIVER	2	L12X	REMOTE DRIVER	0 w	FWD	120VAC	w	w
	01.60	SINK DOWNLIGHTS	2	L02	RECESSED LED DOWNLIGHT TRIMLESS -WET	INTEGRAL WARM DIM LED	FWD PHASE	120VAC	18 w	36 w
	01.61	SHOWER HEAD LIGHT	3	L02	RECESSED LED DOWNLIGHT TRIMLESS -WET	INTEGRAL WARM DIM LED	FWD PHASE	120VAC	18 w	54 w
<b>WATER CLOSET 118</b>	01.63	GENERAL DOWNLIGHTS	1	L01	RECESSED LED DOWNLIGHT TRIMLESS	INTEGRAL WARM DIM LED	FWD PHASE	120VAC	18 w	18 w
	ELEC PANEL ALWAYS ON	NIGHTLIGHT	1	L14	NIGHTLIGHT	INTEGRAL 2700K LED	LED	300mA	3 w	3 w
<b>TERRACE 120</b>	01.65	PLANTER UPLIGHTS	42	L31	STAKE MOUNTED PLANTER ACCENTS	INTEGRAL 2700K LED	MLV	12VAC	3 w	126 w
		REMOTE TRANSFORMER	3	L31X	TRANSFORMER	N/A	MLV	120VAC	w	w
		STEPLIGHTS	8	L33	PLANTER WALL RECESSED STEPLIGHT	INTEGRAL 2700K LED	120	12VAC	3 w	24 w
	01.66	TRELLIS DOWNLIGHTS	28	L32	TRELLIS MOUNTED RECESSED PINSPOT	INTEGRAL 2700K LED	ELV	120VAC	3 w	84 w
		REMOTE DRIVER	7	L32X	DRIVER	N/A	ELV	120VAC	w	w
	01.67	SWITCHED OUTLET	1	L-OR	EXTERIOR RATED SWITCHED WALL RECEPTACLE	N/A	N/A	120VAC	w	w
<b>SEG ENTRY 121</b>	01.68	GENERAL DOWNLIGHT	3	L04	RECESSED SERVICE DOWNLIGHT	INTEGRAL LED 2700K	0-10V	120VAC	14 w	42 w
	01.69	TASK LIGHT	7 ft.	L20	UNDERCABINET LINEAR LED LIGHT	INTEGRAL 2700K LED	MLV	24VDC	5 w/ft	35 w
		REMOTE DRIVER	1	L20X	REMOTE DRIVER	N/A	MLV	120VAC	w	w

Recessed adjustable LED downlight with 3" square trimless beveled lensed trim. Finish White

*Manufacturer:* USAI

*Fixture Wattage:* 18w

*Fixture Line:* BeveLEDmini

*Fixture Voltage:* 120

*Fixture:* Adjustable 2433

*Load Type:* FWD PHASE

*Catalog #:* 2433-B1-S-10 LSLA3-8418-WGD1-2722KH-30-NC-120V-DIML3-AL20D

*Mounting:* Recessed ceiling

*Accessories:* AL20D 35° Optic lens

*Lamp Spec:* Integral warm dimming LED, 2700K to 2200K, 900 lm, 90+ CRI, 32lm/w

*Lamp Voltage:* 120V

**Fixture Specification Notes**

- 1) Fixture is flangeless, for installation in sheetrock ceiling.
- 2) Contractor to order housing/frame-in kit as required.
- 3) Verify ceiling thickness and finish with Architect prior to ordering.
- 4) Verify fixture finish with Architect prior to ordering.
- 5) Furnish fixture with Lutron Hi-Lume 2-wire phase dimming driver.
- 6) Furnish fixture with 90+CRI LED.



**BeveLED<sup>®</sup> mini Trimless**  
**WARM GLOW<sup>®</sup> DIMMING**



Covered By US Patent 8,456,109 and 8,581,520

**PROJECT INFORMATION**

PROJECT \_\_\_\_\_  
DATE \_\_\_\_\_  
TYPE \_\_\_\_\_

**ADJUSTABLE 2433**



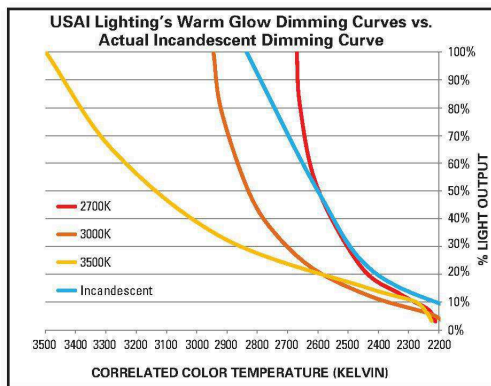
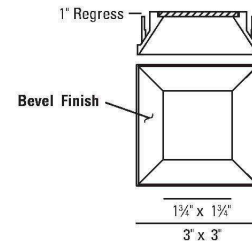
1" REGRESS

**BeveLED mini Warm Glow Dimming Trimless Recessed Adjustable** - Gradually transitions from 2700K, 3000K or 3500K down to 2200K, creating intimacy while enhancing the mood and feeling of space.

**DELIVERED PERFORMANCE - Adjustable**

Maximum Wattage	12Watts					18Watts				
	2700K		3000K		3500K	2700K		3000K		3500K
Maximum Color Temperature	80+	90+	80+	90+	80+	80+	90+	80+	90+	80+
Color Rendering Index	46	37	47	40	50	41	32	42	34	45
Lumens per Watt	850	675	900	725	975	1125	900	1200	950	1275
Source Lumens	<b>550</b>	<b>450</b>	<b>600</b>	<b>475</b>	<b>625</b>	<b>725</b>	<b>575</b>	<b>775</b>	<b>625</b>	<b>825</b>
Delivered Lumens	2-Step MacAdam Ellipse									
Color Consistency	2-Step MacAdam Ellipse									

Performance based on 3000K



**HOW TO SPECIFY**

**Ordering Example:** Specify trim code and housing code to order: **2433W - B1 - S - 10 - LSLA3 - 8418 - WGD1 - 2722KS - 30 - NC1 - 277V - DIML2 - CB27**

**TRIM ORDERING INFORMATION**

TRIM	OPTION	BEVEL STYLE	LENS	B1 BEVEL FINISH
2433	W	B1	S	10
Square 30° Trimless Adjustable, solite lens	Wet location <sup>1</sup>	1" Regress Bevel, Painted Die Cast	Solite (provided standard) F Frosted	White Statuary Bronze Black Metalized Grey RAL Custom Color (specify RAL #)
	<sup>1</sup> Wet location, use with B1 trims only.	AB1 1" Regress Bevel, Black Anodized Finish AC1 1" Regress Bevel, Clear Matte Anodized Finish	S Solite (provided standard) F Frosted	(Leave blank for AB1 and AC1 Bevel Styles)

BeveLED Mini Optical Accessories Matrix	
if you want...	& you have...
35° beam	AL20D
40° beam	AL30D
45° beam	AL40D
55° beam	AL55D
60° beam	AL80D
40x60° beam	AS61D
	size D

**HOUSING ORDERING INFORMATION**

HOUSING CODE	WATTAGE	ENGINE CODE	COLOR	REFLECTOR	HOUSING TYPE	VOLTAGE	DIMMING DRIVER OPTIONS	ACCESSORIES	OPTICAL ACCESSORIES
LSLA3	8412 12W LED, 600 lumens 8418 18W LED, 775 lumens	WGD1	2722KS 2700K-2200K, 80+ CRI 3022KS 3000K-2200K, 80+ CRI 3522KS 3500K-2200K, 80+ CRI 2722KH 2700K-2200K, 90+ CRI 3022KH 3000K-2200K, 90+ CRI	30 30° beam	NC1 New Construction CP Chicago Plenum <sup>2</sup> IC Insulation-Contact Rated / Airtight <sup>2</sup>	120V 277V	DIML2 0-10V dim, 10% (provided standard) DIML3 Lutron Hi-Lume 1% 2-wire, 120V only DIML4 Lutron Hi-Lume 1% 3-wire/ECO DIML6A EldoLED 0-10V, 0.1%, logarithmic/Lutron controls DIML6B EldoLED 0-10V, 0.1%, linear controls DIML6E EldoLED 0-10V, 1%, logarithmic/Lutron controls DIML6F EldoLED 0-10V, 1%, linear controls DIML7 EldoLED DALI, 0.1%	CB27 27" C-Channel Bars CB52 52" C-Channel Bars EML Emergency battery <sup>3</sup> EMLW Emergency battery, wet location <sup>3</sup> MLX Millwork Adapter XX-Specify Color (Millwork not wet listed)	AL20D Refer to optical accessories matrix on next page for resulting beamspreads when accessory lens is combined with 30° optics AL30D AL40D AL55D AL80D AS61D
				2 Step MacAdam ellipse is standard for all	<sup>2</sup> Not available with EM			<sup>3</sup> EM requires above ceiling access. For use with NC1 housing only.	(Order separately)

**BeveLED<sup>®</sup> mini Trimless**

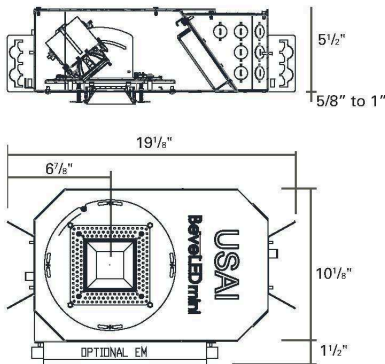
**WARM GLOW<sup>®</sup> DIMMING**

Covered By US Patents: 8,581,520 and 8,456,109

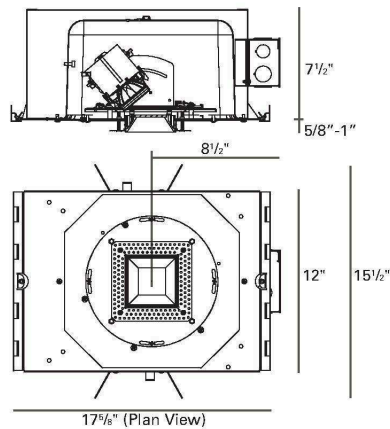


**HOUSING INFORMATION**

**New Construction Housing - NC1**



**IC / Airtight - IC  
Chicago Plenum - CP**



**SPECIFICATIONS**

**TRIM:** 3" square aperture with a 1" regressed bevel, retained by two mounting clips. Die cast aluminum bevel is available in white, statuary bronze, black, and metalized grey finishes. Also available in black anodized or clear matte anodized bevel. Custom colors available (provide RAL#).

**TRIM LENS:** 30° trim is shipped with integral solite lens. Frosted lens is available as an option.

**REFLECTOR:** Proprietary 30° high efficiency molded optic.

**ADJUSTMENT:** True hot aiming with center beam optics is adjustable, with a screw driver. 0°-40° lockable vertical tilt with toolless 362° lockable rotation.

**FIELD REPLACEABLE LIGHT ENGINE:** Available in 2 lumen packages: 12W (600 delivered lumens), 18W (775 delivered lumens). Engine is field replaceable through the aperture.

**COLOR:** BeveLED mini is available in 3 color temperatures with Warm Glow dimming. All color temperatures will dim down from initial CCT at 100% output to 2200K at minimum output. All color options are tightly binned for fixture-to-fixture color consistency within a 2-Step MacAdam Ellipse. 80+ color rendering index provided standard.

**RATED LIFE:** Based on IESNA LM80-2008 50,000 hours at 70% lumen maintenance (L70).

**THERMAL MANAGEMENT:** Proprietary high performance aluminum die cast heatsink for maximum LED life. Ambient temperatures at fixture location should not exceed 40°C during normal operation.

**FIELD REPLACEABLE DRIVER:** 0-10V, 100%-10% DIML2 dimming driver, with a high power factor provided standard and sources 2mA. Specify 120V or 277V. Driver complies with IEEE C62.41 surge protection.

**DIMMING OPTIONS:** Multiple dimming drivers available. See compatibility chart attached. Note: DIML6A and DIML6E logarithmic control are intended for use with Lutron control systems; DIML6B and DIML6F linear control are intended for use with non-Lutron controls. DIML6 dimming driver sources 2mA.

**EMERGENCY:** Emergency lighting battery pack with remote test switch requires above ceiling access for service. Bodine 17C provides 200mA for 90 minute. EMLW wet location option is available with B1 trim only and requires remote test switch. EM option is available with NC1 housings only.

**MOUNTING:** Butterfly brackets and adjustable nailer bars with integral nails provided. Nailer bars are extendible from 14" to 24" centers.

**HOUSING:** All-Ways Square<sup>®</sup> (covered by US Pat. No: US 7,832,889) housing allows alignment of square aperture (up to 20° rotation) after housing installation and prior to finish ceiling installation. Fabricated of 20 ga. galvanized steel with thru wire J-box, 4 in 4 out at min. 90°C, #12 AWG thru branch circuit wiring.

**MAXIMUM CEILING THICKNESS:** As per drawings above. Millwork for 1" max wood.

**ACCESSORY HOLDER:** Snap in accessory holder shipped with fixture. Accepts maximum of two accessories, size D.

**CEILING CUT OUT:** Millwork: 3-5/16" x 3-5/16"  
All others: 3-1/2" x 3-1/2"

**LISTINGS:** Dry/Damp. Wet location option available. NRTL/CSA-US tested to UL standards. IBEW union made.

**WARRANTY:** 5 years



**NOTES:**

- Not for use in corrosive environment.
- Use of pressure washer voids warranty.
- For interior use only.
- Not for use with acoustical ceilings.
- Trimless for drywall installation only.
- Millwork option for non-spackle installations.
- Consult factory for video capture applications.

**PHOTOMETRICS:** Consult factory or website for IES files. Tested in accordance with IESNA LM79-2008.



**DIMMING DRIVER COMPATIBILITY  
SELECTION GUIDE  
DIML2**

**DIMMING DRIVER WIRING SCHEMES:**

**NOTES:**

Wiring diagrams are examples of typical installations intended to illustrate the number of wires that must be run to fixture. These diagrams are not intended to specify all equipment necessary for a given dimming circuit. Refer to specific dimmer manufacturer's documentation for details.

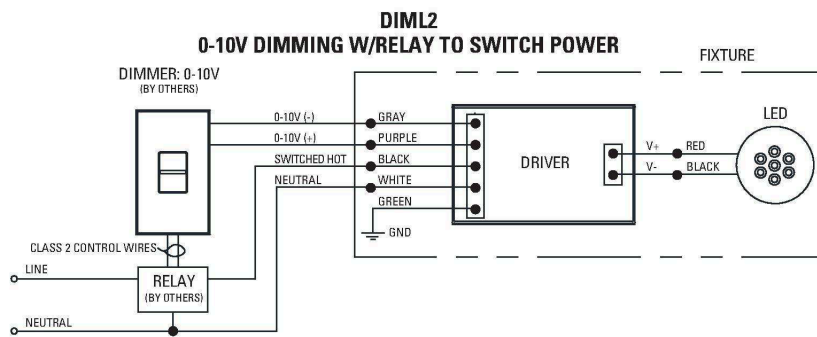
**IMPORTANT SAFETY INSTRUCTIONS  
- SAVE THESE INSTRUCTIONS**

1. Keep these instructions in a safe place for future reference.
2. Only qualified electricians in accordance to local codes should install these fixtures.
3. De-energize the electrical circuit at the circuit breaker prior to installation process or servicing.
4. Make sure all connections are in accordance with the National Electrical Code and any local regulations.
5. Cap any wires not used separately (not together).

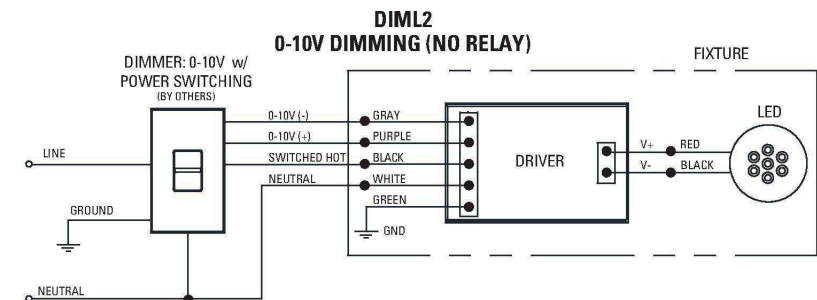
**DIML2 LED: 0-10V Dimming Driver Wiring (Dims down to 10%)**

DIML2 Dimmer Compatibility Chart				
Manufacturer	Product	Part Number	Dimmed Light Output Range	Qty Fixtures Per Dimmer*
<b>120V / 277V</b>				
Crestron	iLux dimmer expansion module	CLS-EXP-DIMFLV	100% - 10%	Use source current per fixture specification sheet to determine number of fixtures per dimmer. Max number of fixtures is limited by dimmer load rating.
Crestron	DIN Rail dimmer	DIN-4DIMFLV4	100% - 10%	
Crestron	DIN Rail analog output module	DIN-A08	100% - 10%	
Crestron	8 Channel dimmer module	GLX-DIMFLV8	100% - 10%	
Crestron	8 Channel dimmer module	GLXP-DIMFLV8	100% - 10%	
Leviton	IllumaTech dimmer	IP710-DLX	100% - 10%	
Lightolier (Philips)	Vega	V2000FAMU	100% - 10%	
Lutron	Diva	DVTV-XX	100% - 10%	

\* NOTE: Refer to dimmer manufacturer's documentation for installation instructions and circuit details.



**NOTE:**  
If switched, non-dimming operation is desired, cap off purple and gray wires individually at installation. Do NOT cap purple and gray wires together.



**NOTE:**  
If switched, non-dimming operation is desired, cap off purple and gray wires individually at installation. Do NOT cap purple and gray wires together.



**DIMMING DRIVER COMPATIBILITY  
SELECTION GUIDE  
DIML3**

**DIMMING DRIVER WIRING SCHEMES:**

**NOTES:**

Wiring diagrams are examples of typical installations intended to illustrate the number of wires that must be run to fixture. These diagrams are not intended to specify all equipment necessary for a given dimming circuit. Refer to specific dimmer manufacturer's documentation for details.

**IMPORTANT SAFETY INSTRUCTIONS  
- SAVE THESE INSTRUCTIONS**

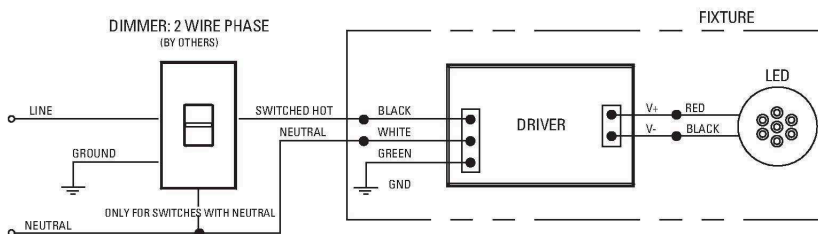
1. Keep these instructions in a safe place for future reference.
2. Only qualified electricians in accordance to local codes should install these fixtures.
3. De-energize the electrical circuit at the circuit breaker prior to installation process or servicing.
4. Make sure all connections are in accordance with the National Electrical Code and any local regulations.
5. Cap any wires not used separately (not together).

**DIML3 LED: Lutron Hi-Lume A-Series 2 Wire Fwd Phase (with neutral) / LED Dimming Driver Wiring (Dims down to 1%) 120V only.**

DIML3 Dimmer Compatibility Chart					
Manufacturer	Product	Part Number	Dimmed Light Output Range	Qty Fixtures Per Dimmer*	
				39W and Less	40W - 80W
<b>120V Only</b>					
ETC	Sensor+ Cabinet	ELV10	100% - 1%	1 - 26	1 - 13
ETC	Unison DRD Cabinet	ELV10	100% - 1%	1 - 26	1 - 13
Lutron	Maestro Wireless® 600W dimmer	MRF2-6ND-120-	100% - 1%	1 - 8	1 - 4
Lutron	Maestro Wireless® 1000W dimmer	MRF2-10ND-120-	100% - 1%	1 - 13	1 - 6
Lutron	HomeWorks® QS adaptive dimmer	HQRD-6NA-	100% - 1%	1 - 8	1 - 4
Lutron	HomeWorks® QS 600W dimmer	HQRD-6ND-	100% - 1%	1 - 8	1 - 4
Lutron	HomeWorks® QS 1000 W dimmer	HQRD-10ND-	100% - 1%	1 - 13	1 - 6
Lutron	Caseta Wireless® Pro 1000W dimmer	PD-10NXD-	100% - 1%	1 - 13	1 - 6
Lutron	Stanza® dimmer	SZ-6ND-	100% - 1%	1 - 8	1 - 4
Lutron	RadioRA® 2 adaptive dimmer	RRD-6NA-	100% - 1%	1 - 8	1 - 4
Lutron	RadioRA® 2 1000 W dimmer	RRD-10ND-	100% - 1%	1 - 6	1 - 3
Lutron	myRoom DIN power module	MQSE-4A1-D	100% - 1%	1 - 6	1 - 3
Lutron	HomeWorks® QS wallbox power module	HQRJ-WPM-6D-120-	100% - 1%	1 - 26	1 - 13
Lutron	Homeworks® DIN power module	LQSE-4A1-D	100% - 1%	1 - 6	1 - 3
Lutron	HomeWorks® wallbox power module	HWI-WPM-6D-120	100% - 1%	1 - 26	1 - 13
Lutron	GRAFIK Eye® QS control unit	QSGR-, QSGRJ-	100% - 1%	1 - 26	1 - 13
Lutron	GRAFIK Eye® 3000 control unit	GRX-3100-, GRX-3500-	100% - 1%	1 - 26	1 - 13
Lutron	RPM-4U module	HW-RPM-4U-120, LP-RPM-4U-120	100% - 1%	1 - 26	1 - 13
Lutron	RPM-4A module	HW-RPM-4A-120, LP-RPM-4A-120	100% - 1%	1 - 26	1 - 13
Lutron	GP dimming panels	Various	100% - 1%	1 - 26	1 - 13
Lutron	Ariadni CL 250W dimmer	AYCL-253P-	100%-1%	1 - 8	1 - 4
Lutron	Diva CL 250W dimmer	DVCL-253P-, DVSCCL-253P-	100%-1%	1 - 8	1 - 4
Lutron	Grafik T CL or RFCL dimmer	GT-250M-, GTJ-250M-	100%-1%	1 - 8	1 - 4
Lutron	Nova T CL 250W dimmer	NTCL-250-	100%-1%	1 - 10	1 - 5

\* NOTE: Refer to dimmer manufacturer's documentation for installation instructions and circuit details.

**DIML3  
2 WIRE PHASE DIMMING**





**DIMMING DRIVER COMPATIBILITY  
SELECTION GUIDE  
DIML4**

**DIMMING DRIVER WIRING SCHEMES:**

**NOTES:**

Wiring diagrams are examples of typical installations intended to illustrate the number of wires that must be run to fixture. These diagrams are not intended to specify all equipment necessary for a given dimming circuit. Refer to specific dimmer manufacturer's documentation for details.

**IMPORTANT SAFETY INSTRUCTIONS**

**- SAVE THESE INSTRUCTIONS**

1. Keep these instructions in a safe place for future reference.
2. Only qualified electricians in accordance to local codes should install these fixtures.
3. De-energize the electrical circuit at the circuit breaker prior to installation process or servicing.
4. Make sure all connections are in accordance with the National Electrical Code and any local regulations.
5. Cap any wires not used separately (not together).

**DIML4 LED: Lutron Hi-Lume A-Series LED Driver with 3-Wire FL Control / LED Dimming Driver Wiring (Dims down to 1%)**

<b>DIML4 3-Wire Dimmer Compatibility Chart</b>					
Manufacturer	Product	Part Number	Dimmed Light Output Range	Qty Fixtures Per Control*	
				Fixture Wattage	
<b>120V Only</b>				39W and Less	40W - 80W
ETC	Sensor+ Cabinet	D20 Dimming module	100% - 1%	1-53	1-26
ETC	Unison DRd Cabinet	D20F Dimming module	100% - 1%	1-53	1-26
Lutron	Nova T	NTF-10-	100%-1%	1-41	1-20
Lutron	Nova T	NTF-103P-	100%-1%	1-20	1-10
Lutron	Nova	NF-10-	100%-1%	1-41	1-20
Lutron	Nova	NF-103P-	100%-1%	1-20	1-10
Lutron	Vareo	VF-10-	100%-1%	1-20	1-10
Lutron	Skylark	SF-10P-, SF-103P-	100%-1%	1-20	1-10
Lutron	Diva	DVF-103P-, DVSCF-103P-	100%-1%	1-20	1-10
Lutron	Ariadni	AYF-103P-	100%-1%	1-20	1-10
Lutron	Vierti	VTF-6A-	100%-1%	1-15	1-7
Lutron	Maestro	MAF-6AM-, MSCF-6AM-	100%-1%	1-15	1-7
Lutron	Maestro Wireless	MRF2-F6AN-DV-	100%-1%	1-15	1-7
Lutron	RadioRA 2	RRD-F6AN-DV-	100%-1%	1-15	1-7
Lutron	HomeWorks QS	HQRD-F6AN-DV	100%-1%	1-15	1-7
Lutron	Interfaces	PHPM-3F-120, PHPM-3F-DV	100%-1%	1-41	1-20
Lutron	GP Dimming Panels	Various	100%-1%	1-41	1-20
<b>277V Only</b>				40W and Less	41W - 80W
ETC	Sensor+ Cabinet	D20 Dimming module	100% - 1%	1-53	1-26
ETC	Unison DRd Cabinet	D20F Dimming module	100% - 1%	1-53	1-26
Lutron	Nova T	NTF-10-277-	100%-1%	1-44	1-22
Lutron	Nova T	NTF-103P-277-	100%-1%	1-33	1-16
Lutron	Nova	NF-10-277-	100%-1%	1-44	1-22
Lutron	Nova	NF-103P-277-	100%-1%	1-33	1-16
Lutron	Skylark	SF-12P-277-, SF-12P-277-3	100%-1%	1-33	1-16
Lutron	Diva	DVF-103P-277-, DVSCF-103P-277-	100%-1%	1-33	1-16
Lutron	Ariadni	AYF-103P-277-	100%-1%	1-44	1-22
Lutron	Vierti	VTF-6A-	100%-1%	1-33	1-16
Lutron	Maestro	MAF-6AM-277-, MSCF-6AM-277-	100%-1%	1-20	1-10
Lutron	Maestro Wireless	MRF2-F6AN-DV-	100%-1%	1-33	1-16
Lutron	RadioRA 2	RRD-F6AN-DV-	100%-1%	1-33	1-16
Lutron	HomeWorks QS	HQRD-F6AN-DV	100%-1%	1-33	1-16
Lutron	Interfaces	PHPM-3F-DV	100%-1%	1-88	1-44
Lutron	GP Dimming Panels	Various	100%-1%	1-88	1-44

\* NOTE: Number of fixtures may be higher if wattage is less than maximum values shown. Refer to dimmer manufacturer's documentation for installation instructions and circuit details.

**DIML4 wiring diagrams continued on next page**



**DIMMING DRIVER COMPATIBILITY  
SELECTION GUIDE**

**DIML4 Continued**

**DIMMING DRIVER WIRING SCHEMES:**

**NOTES:**

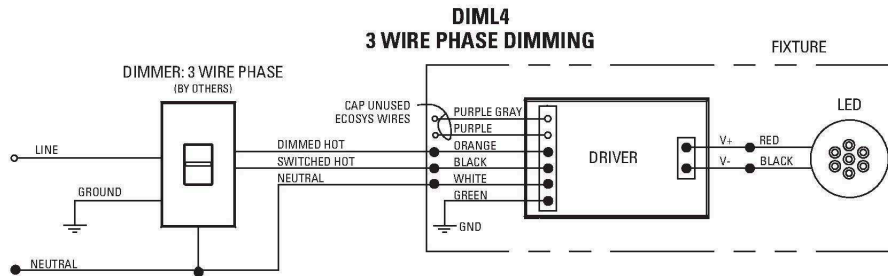
Wiring diagrams are examples of typical installations intended to illustrate the number of wires that must be run to fixture. These diagrams are not intended to specify all equipment necessary for a given dimming circuit. Refer to specific dimmer manufacturer's documentation for details.

**IMPORTANT SAFETY INSTRUCTIONS**

**- SAVE THESE INSTRUCTIONS**

1. Keep these instructions in a safe place for future reference.
2. Only qualified electricians in accordance with local codes should install these fixtures.
3. De-energize the electrical circuit at the circuit breaker prior to installation process or servicing.
4. Make sure all connections are in accordance with the National Electrical Code and any local regulations.
5. Cap any wires not used separately (not together).

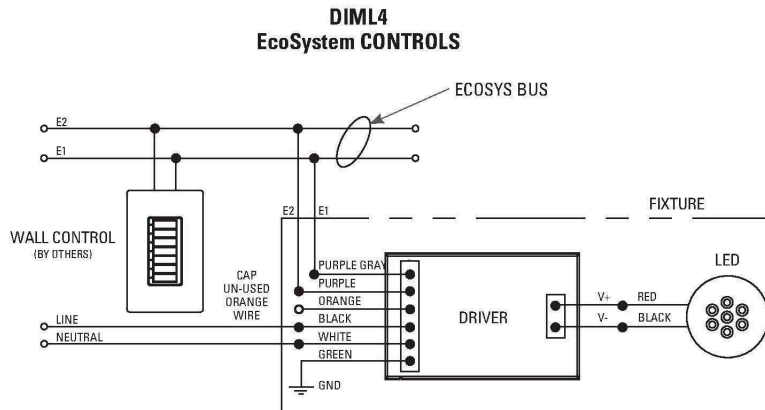
**DIML4 LED: Lutron Hi-Lume A-Series LED Driver with 3-Wire FL Control / LED Dimming Driver Wiring (Dims down to 1%)**



**DIML4 LED: Lutron Hi-Lume A-Series LED Driver with EcoSystem Control / LED Dimming Driver Wiring (Dims down to 1%)**

DIML4 EcoSystem Dimmer Compatibility Chart					
Manufacturer	Product	Part Number	Dimmed Light Output Range	Qty Fixtures Per Control*	
				Fixture Wattage	
<b>120V / 277V</b>					
Lutron	PowPak dimming module	RMJ-EC032-DV-B	100%–1%	39W and Less	40W - 80W
Lutron	Energi Savr Node	QSN-1ECO-S, QSN-2ECO-S	100%–1%	1-64	1-32
Lutron	GRAFIK Eye QS (120V ONLY)	QSGRJ- E, QSGR- E	100%–1%	1-64	1-32
Lutron	Quantum	Various	100%–1%	1-64	1-32

\* NOTE: Number of fixtures may be higher if wattage is less than maximum values shown. Refer to dimmer manufacturer's documentation for installation instructions and circuit details.





**DIMMING DRIVER COMPATIBILITY SELECTION GUIDE**

**DIML6A, 6E  
DIML6B, 6F**

**IMPORTANT SAFETY INSTRUCTIONS  
- SAVE THESE INSTRUCTIONS**

1. Keep these instructions in a safe place for future reference.
2. Only qualified electricians in accordance with local codes should install these fixtures.
3. De-energize the electrical circuit at the circuit breaker prior to installation process or servicing.
4. Make sure all connections are in accordance with the National Electrical Code and any local regulations.
5. Cap any wires not used separately (not together).

**DIML6A and DIML6E LED Dimming Compatibility Table**

DIML6A and DIML6E are linearly programmed dimming drivers for use with logarithmic-style dimming controls (e.g., Lutron and others listed in the table below)  
DIML6A = EldoLED SOLDrive 0-10V control dims from 100% to 0.1%  
DIML6E = EldoLED ECOdrive 0-10V control dims from 100% to 1%

Manufacturer	Product	Part Number	Dimmed Light Output Range	Qty Fixtures Per Dimmer*
<b>120V &amp; 277V</b>			<b>DIML6A / E</b>	
Lutron	Diva	DVTV/NFTV/NTFTV with PP-20	99% - 0.1% / 1%	Refer to manufacturer's dimmer load rating for maximum and minimum fixture quantities per dimmer.
Lutron	Energi Savr Node	QSN-4T16-S	100% - 0.1% / 1%	
Lutron	GP Dimming Panels	TVM2 Module	99% - 0.1% / 1%	
Lutron	Interfaces	GRX-TVI w/ GRX3503	100% - 0.1% / 1%	
Sensor Switch	nIO	nIO EZ	100% - 0.1% / 1%	

\* NOTE: Refer to dimmer manufacturer's documentation for installation instructions and circuit details.

**DIML6B and DIML6F LED Dimming Compatibility Table**

DIML6B and DIML6F are logarithmic-programmed dimming drivers for use with linear-style dimming controls (e.g., Crestron, non-Lutron and others listed in the table below)  
DIML6B = EldoLED SOLDrive 0-10V control dims from 100% to 0.1%  
DIML6F = EldoLED ECOdrive 0-10V control dims from 100% to 1%

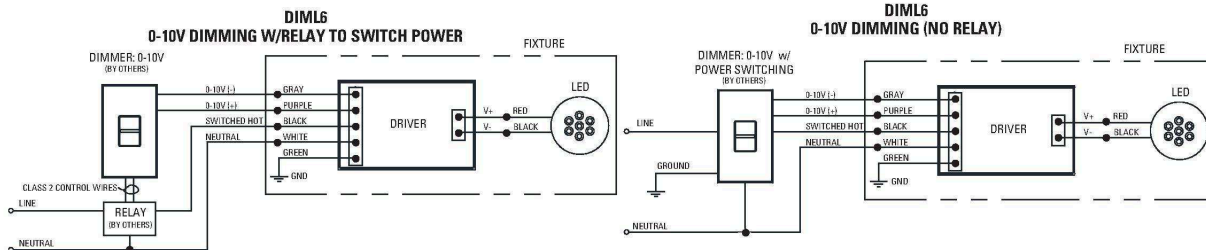
<b>DIML6B Dimmer Compatibility Chart</b>				
Manufacturer	Product	Part Number	Dimmed Light Output Range	Qty Fixtures Per Dimmer*
<b>120V &amp; 277V</b>			<b>DIML6B / F</b>	
Bush-Jaeger	Electronic potentiometer	2112U-101	100% - 0.1% / 1%	Refer to manufacturer's dimmer load rating for maximum and minimum fixture quantities per dimmer.
Jung	Electronic potentiometer	240-10	100% - 0.1% / 1%	
Leviton	IllumaTech dimmer	IP710-DLX	100% - 0.1% / 1%	
Lightolier (Philips)	Momentum (120V ONLY)	ZP600FAM120	100% - 0.1% / 1%	
Merten	Electronic potentiometer	5729	100% - 0.1% / 1%	
Pass & Seymour	Titan	CD4FB-W	100% - 0.1% / 1%	
Watt Stopper	Miro	DCLV1	100% - 0.1% / 1%	
Synergy	Wallbox Dimmers	ISD BC	100% - 0.1% / 1%	
ABB	i-bus	SD/S 2.16.1	100% - 0.1% / 1%	
Crestron	Modules	GLX-DIMFLV8, GLXP-DIMFLV8	100% - 0.1% / 1%	
Crestron	Green Light	GLPAC-DIMFLV4-, GLPAC-DIMFLV8-	100% - 0.1% / 1%	
Crestron	Green Light Power Pack	GLPP-DIMFLVEX-PM, GLPP-1DIMFLV2EX-PM, GLPP-1DIMFLV3EX-PM	100% - 0.1% / 1%	
Crestron	DIN Rail Analog Output Module	DIN-A08	100% - 0.1% / 1%	
Crestron	DIN Rail 0-10V Fluorescent Dimmer	DIN-4DIMFLV4	100% - 0.1% / 1%	
Crestron	iLux 0-10V Dimmer Expansion Module	CLS-EXP-DIMFLV	100% - 0.1% / 1%	

\* NOTE: Refer to dimmer manufacturer's documentation for installation instructions and circuit details.

**DIMMING DRIVER WIRING SCHEMES:**

**NOTES:**

Wiring diagrams are examples of typical installations intended to illustrate the number of wires that must be run to fixture. These diagrams are not intended to specify all equipment necessary for a given dimming circuit. Refer to specific dimmer manufacturer's documentation for details.





## DIMMING DRIVER COMPATIBILITY SELECTION GUIDE DIML7

### DIMMING DRIVER WIRING SCHEMES:

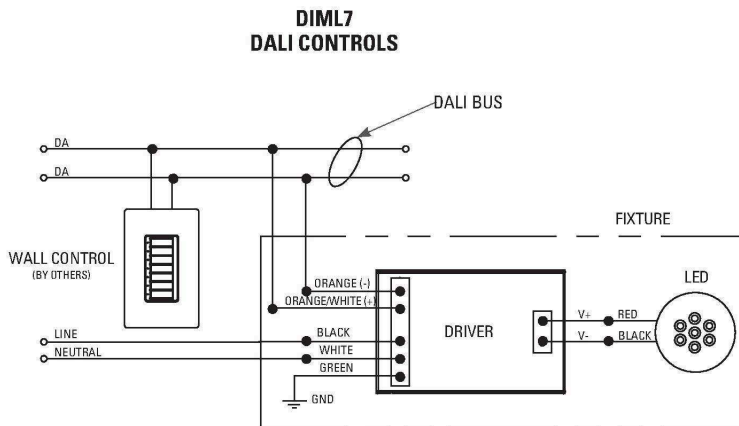
**NOTES:**

Wiring diagrams are examples of typical installations intended to illustrate the number of wires that must be run to fixture. These diagrams are not intended to specify all equipment necessary for a given dimming circuit. Refer to specific dimmer manufacturer's documentation for details.

**IMPORTANT SAFETY INSTRUCTIONS  
- SAVE THESE INSTRUCTIONS**

1. Keep these instructions in a safe place for future reference.
2. Only qualified electricians in accordance to local codes should install these fixtures.
3. De-energize the electrical circuit at the circuit breaker prior to installation process or servicing.
4. Make sure all connections are in accordance with the National Electrical Code and any local regulations.
5. Cap any wires not used separately (not together).

**DIML7 LED: EldoLED DALI Dimming Driver Wiring (Dims down to 0.1%)**



Recessed adjustable LED downlight with 3" square trimless beveled lensed trim. Finish White

*Manufacturer:* USAI

*Fixture Wattage:* 12w

*Fixture Line:* BeveLEDmini

*Fixture Voltage:* 120

*Fixture:* Adjustable 2433

*Load Type:* FWD PHASE

*Catalog #:* 2433-B1-S-10 LSLA3-8412-WGD1-2722KH-30-NC-120V-DIML3-AL20D

*Mounting:* Recessed ceiling

*Accessories:* AL30D 40° Optic lens

*Lamp Spec:* Integral warm dimming LED, 2700K  
to 2200K, 675lm, 90+ CRI, 37lm/w

*Lamp Voltage:* 120V

**Fixture Specification Notes**

- 1) Fixture is flangeless, for installation in sheetrock ceiling.
- 2) Contractor to order housing/frame-in kit as required.
- 3) Verify ceiling thickness and finish with Architect prior to ordering.
- 4) Verify fixture finish with Architect prior to ordering.
- 5) Furnish fixture with Lutron Hi-Lume 2-wire phase dimming driver.
- 6) Furnish fixture with 90+CRI LED.



**BeveLED<sup>®</sup> mini Trimless**  
**WARM GLOW<sup>®</sup> DIMMING**



Covered By US Patent 8,456,109 and 8,581,520

**PROJECT INFORMATION**

PROJECT \_\_\_\_\_  
DATE \_\_\_\_\_  
TYPE \_\_\_\_\_

**ADJUSTABLE 2433**



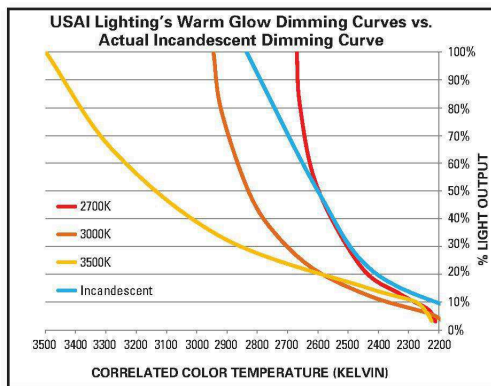
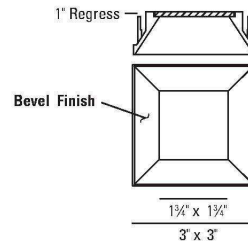
1" REGRESS

**BeveLED mini Warm Glow Dimming Trimless Recessed Adjustable** - Gradually transitions from 2700K, 3000K or 3500K down to 2200K, creating intimacy while enhancing the mood and feeling of space.

**DELIVERED PERFORMANCE - Adjustable**

Maximum Wattage	12Watts					18Watts				
	2700K		3000K		3500K	2700K		3000K		3500K
Maximum Color Temperature	2700K	3000K	3000K	3000K	3500K	2700K	3000K	3000K	3000K	3500K
Color Rendering Index	80+	90+	80+	90+	80+	80+	90+	80+	90+	80+
Lumens per Watt	46	37	47	40	50	41	32	42	34	45
Source Lumens	850	675	900	725	975	1125	900	1200	950	1275
Delivered Lumens	550	450	600	475	625	725	575	775	625	825
Color Consistency	2-Step MacAdam Ellipse									

Performance based on 3000K



**HOW TO SPECIFY**

**Ordering Example:** Specify trim code and housing code to order: **2433W - B1 - S - 10 - LSLA3 - 8418 - WGD1 - 2722KS - 30 - NC1 - 277V - DIML2 - CB27**

**TRIM ORDERING INFORMATION**

TRIM	OPTION	BEVEL STYLE	LENS	B1 BEVEL FINISH
2433	W	B1	S	10
Square 30° Trimless Adjustable, solite lens	Wet location <sup>1</sup>	1" Regress Bevel, Painted Die Cast	Solite (provided standard) F Frosted	10 White 13 Statuary Bronze 21 Black 28 Metalized Grey RAL Custom Color (specify RAL #)
	<sup>1</sup> Wet location, use with B1 trims only.	AB1 1" Regress Bevel, Black Anodized Finish AC1 1" Regress Bevel, Clear Matte Anodized Finish	S Solite (provided standard) F Frosted	(Leave blank for AB1 and AC1 Bevel Styles)

BeveLED Mini Optical Accessories Matrix	
if you want...	& you have...
35° beam	AL20D
40° beam	AL30D
45° beam	AL40D
55° beam	AL55D
60° beam	AL80D
40x60° beam	AS61D
	size D

**HOUSING ORDERING INFORMATION**

HOUSING CODE	WATTAGE	ENGINE CODE	COLOR	REFLECTOR	HOUSING TYPE	VOLTAGE	DIMMING DRIVER OPTIONS	ACCESSORIES	OPTICAL ACCESSORIES
LSLA3	8412 12W LED, 600 lumens 8418 18W LED, 775 lumens	WGD1	2722KS 2700K-2200K, 80+ CRI 3022KS 3000K-2200K, 80+ CRI 3522KS 3500K-2200K, 80+ CRI 2722KH 2700K-2200K, 90+ CRI 3022KH 3000K-2200K, 90+ CRI	30 30° beam	NC1 New Construction CP Chicago Plenum <sup>2</sup> IC Insulation-Contact Rated / Airtight <sup>2</sup>	120V 277V	DIML2 0-10V dim, 10% (provided standard) DIML3 Lutron Hi-Lume 1% 2-wire, 120V only DIML4 Lutron Hi-Lume 1% 3-wire/ECO DIML6A EldoLED 0-10V, 0.1%, logarithmic/Lutron controls DIML6B EldoLED 0-10V, 0.1%, linear controls DIML6E EldoLED 0-10V, 1%, logarithmic/Lutron controls DIML6F EldoLED 0-10V, 1%, linear controls DIML7 EldoLED DALI, 0.1%	CB27 27" C-Channel Bars CB52 52" C-Channel Bars EML Emergency battery <sup>3</sup> EMLW Emergency battery, wet location <sup>3</sup> MLX Millwork Adapter XX-Specify Color (Millwork not wet listed)	AL20D Refer to optical accessories matrix on next page for resulting beamspreads when accessory lens is combined with 30° optics AL30D AL40D AL55D AL80D AS61D
				2 Step MacAdam ellipse is standard for all	<sup>2</sup> Not available with EM			<sup>3</sup> EM requires above ceiling access. For use with NC1 housing only.	(Order separately)

**BeveLED<sup>®</sup> mini Trimless**

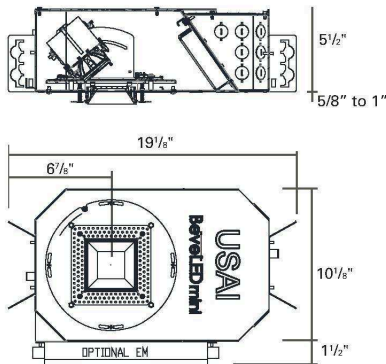
**WARM GLOW<sup>®</sup> DIMMING**

Covered By US Patents: 8,581,520 and 8,456,109

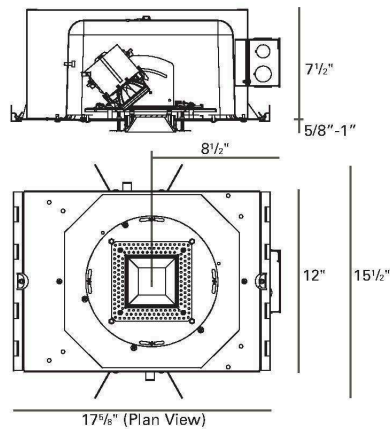


**HOUSING INFORMATION**

**New Construction Housing - NC1**



**IC / Airtight - IC  
Chicago Plenum - CP**



**SPECIFICATIONS**

**TRIM:** 3" square aperture with a 1" regressed bevel, retained by two mounting clips. Die cast aluminum bevel is available in white, statuary bronze, black, and metalized grey finishes. Also available in black anodized or clear matte anodized bevel. Custom colors available (provide RAL#).

**TRIM LENS:** 30° trim is shipped with integral solite lens. Frosted lens is available as an option.

**REFLECTOR:** Proprietary 30° high efficiency molded optic.

**ADJUSTMENT:** True hot aiming with center beam optics is adjustable, with a screw driver. 0°-40° lockable vertical tilt with toolless 362° lockable rotation.

**FIELD REPLACEABLE LIGHT ENGINE:** Available in 2 lumen packages: 12W (600 delivered lumens), 18W (775 delivered lumens). Engine is field replaceable through the aperture.

**COLOR:** BeveLED mini is available in 3 color temperatures with Warm Glow dimming. All color temperatures will dim down from initial CCT at 100% output to 2200K at minimum output. All color options are tightly binned for fixture-to-fixture color consistency within a 2-Step MacAdam Ellipse. 80+ color rendering index provided standard.

**RATED LIFE:** Based on IESNA LM80-2008 50,000 hours at 70% lumen maintenance (L70).

**THERMAL MANAGEMENT:** Proprietary high performance aluminum die cast heatsink for maximum LED life. Ambient temperatures at fixture location should not exceed 40°C during normal operation.

**FIELD REPLACEABLE DRIVER:** 0-10V, 100%-10% DIML2 dimming driver, with a high power factor provided standard and sources 2mA. Specify 120V or 277V. Driver complies with IEEE C62.41 surge protection.

**DIMMING OPTIONS:** Multiple dimming drivers available. See compatibility chart attached. Note: DIML6A and DIML6E logarithmic control are intended for use with Lutron control systems; DIML6B and DIML6F linear control are intended for use with non-Lutron controls. DIML6 dimming driver sources 2mA.

**EMERGENCY:** Emergency lighting battery pack with remote test switch requires above ceiling access for service. Bodine 17C provides 200mA for 90 minute. EMLW wet location option is available with B1 trim only and requires remote test switch. EM option is available with NC1 housings only.

**MOUNTING:** Butterfly brackets and adjustable nailer bars with integral nails provided. Nailer bars are extendible from 14" to 24" centers.

**HOUSING:** All-Ways Square<sup>®</sup> (covered by US Pat. No: US 7,832,889) housing allows alignment of square aperture (up to 20° rotation) after housing installation and prior to finish ceiling installation. Fabricated of 20 ga. galvanized steel with thru wire J-box, 4 in 4 out at min. 90°C, #12 AWG thru branch circuit wiring.

**MAXIMUM CEILING THICKNESS:** As per drawings above. Millwork for 1" max wood.

**ACCESSORY HOLDER:** Snap in accessory holder shipped with fixture. Accepts maximum of two accessories, size D.

**CEILING CUT OUT:** Millwork: 3-5/16" x 3-5/16"  
All others: 3-1/2" x 3-1/2"

**LISTINGS:** Dry/Damp. Wet location option available. NRTL/CSA-US tested to UL standards. IBEW union made.

**WARRANTY:** 5 years



**NOTES:**

- Not for use in corrosive environment.
- Use of pressure washer voids warranty.
- For interior use only.
- Not for use with acoustical ceilings.
- Trimless for drywall installation only.
- Millwork option for non-spackle installations.
- Consult factory for video capture applications.

**PHOTOMETRICS:** Consult factory or website for IES files. Tested in accordance with IESNA LM79-2008.



## DIMMING DRIVER COMPATIBILITY SELECTION GUIDE DIML2

### DIMMING DRIVER WIRING SCHEMES:

**NOTES:**

Wiring diagrams are examples of typical installations intended to illustrate the number of wires that must be run to fixture. These diagrams are not intended to specify all equipment necessary for a given dimming circuit. Refer to specific dimmer manufacturer's documentation for details.

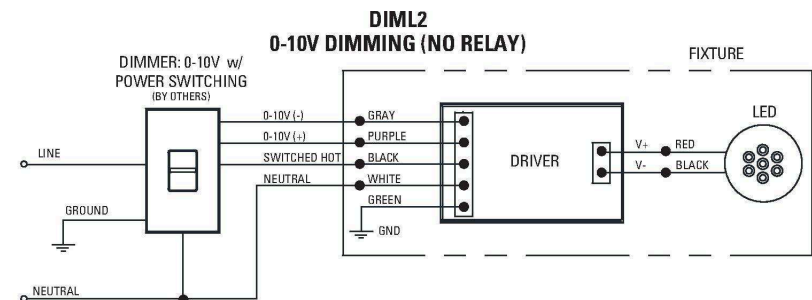
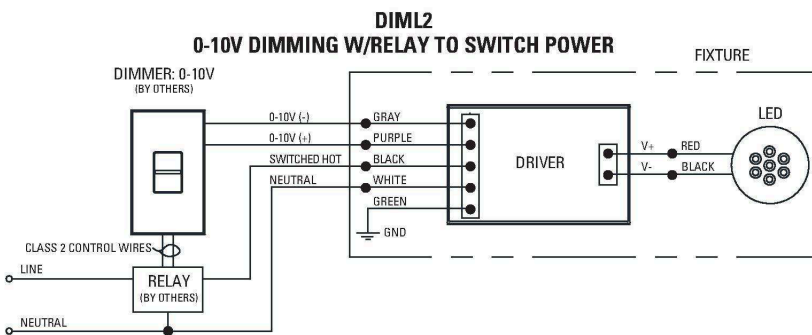
### IMPORTANT SAFETY INSTRUCTIONS - SAVE THESE INSTRUCTIONS

1. Keep these instructions in a safe place for future reference.
2. Only qualified electricians in accordance to local codes should install these fixtures.
3. De-energize the electrical circuit at the circuit breaker prior to installation process or servicing.
4. Make sure all connections are in accordance with the National Electrical Code and any local regulations.
5. Cap any wires not used separately (not together).

### DIML2 LED: 0-10V Dimming Driver Wiring (Dims down to 10%)

DIML2 Dimmer Compatibility Chart				
Manufacturer	Product	Part Number	Dimmed Light Output Range	Qty Fixtures Per Dimmer*
<b>120V / 277V</b>				
Crestron	iLux dimmer expansion module	CLS-EXP-DIMFLV	100% - 10%	Use source current per fixture specification sheet to determine number of fixtures per dimmer. Max number of fixtures is limited by dimmer load rating.
Crestron	DIN Rail dimmer	DIN-4DIMFLV4	100% - 10%	
Crestron	DIN Rail analog output module	DIN-A08	100% - 10%	
Crestron	8 Channel dimmer module	GLX-DIMFLV8	100% - 10%	
Crestron	8 Channel dimmer module	GLXP-DIMFLV8	100% - 10%	
Leviton	IllumaTech dimmer	IP710-DLX	100% - 10%	
Lightolier (Philips)	Vega	V2000FAMU	100% - 10%	
Lutron	Diva	DVTV-XX	100% - 10%	

\* NOTE: Refer to dimmer manufacturer's documentation for installation instructions and circuit details.





## DIMMING DRIVER COMPATIBILITY SELECTION GUIDE DIML3

### DIMMING DRIVER WIRING SCHEMES:

**NOTES:**

Wiring diagrams are examples of typical installations intended to illustrate the number of wires that must be run to fixture. These diagrams are not intended to specify all equipment necessary for a given dimming circuit. Refer to specific dimmer manufacturer's documentation for details.

**IMPORTANT SAFETY INSTRUCTIONS  
- SAVE THESE INSTRUCTIONS**

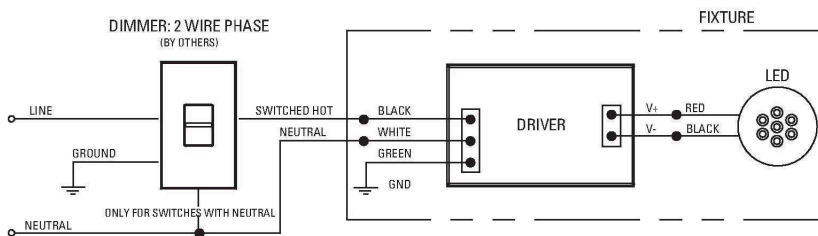
1. Keep these instructions in a safe place for future reference.
2. Only qualified electricians in accordance to local codes should install these fixtures.
3. De-energize the electrical circuit at the circuit breaker prior to installation process or servicing.
4. Make sure all connections are in accordance with the National Electrical Code and any local regulations.
5. Cap any wires not used separately (not together).

**DIML3 LED: Lutron Hi-Lume A-Series 2 Wire Fwd Phase (with neutral) / LED Dimming Driver Wiring (Dims down to 1%) 120V only.**

DIML3 Dimmer Compatibility Chart					
Manufacturer	Product	Part Number	Dimmed Light Output Range	Qty Fixtures Per Dimmer*	
				Fixture Wattage	
120V Only					
				39W and Less	40W - 80W
ETC	Sensor+ Cabinet	ELV10	100% - 1%	1 - 26	1 - 13
ETC	Unison DRD Cabinet	ELV10	100% - 1%	1 - 26	1 - 13
Lutron	Maestro Wireless® 600W dimmer	MRF2-6ND-120-	100% - 1%	1 - 8	1 - 4
Lutron	Maestro Wireless® 1000W dimmer	MRF2-10ND-120-	100% - 1%	1 - 13	1 - 6
Lutron	HomeWorks® QS adaptive dimmer	HQRD-6NA-	100% - 1%	1 - 8	1 - 4
Lutron	HomeWorks® QS 600W dimmer	HQRD-6ND-	100% - 1%	1 - 8	1 - 4
Lutron	HomeWorks® QS 1000 W dimmer	HQRD-10ND-	100% - 1%	1 - 13	1 - 6
Lutron	Caseta Wireless® Pro 1000W dimmer	PD-10NXD-	100% - 1%	1 - 13	1 - 6
Lutron	Stanza® dimmer	SZ-6ND-	100% - 1%	1 - 8	1 - 4
Lutron	RadioRA® 2 adaptive dimmer	RRD-6NA-	100% - 1%	1 - 8	1 - 4
Lutron	RadioRA® 2 1000 W dimmer	RRD-10ND-	100% - 1%	1 - 6	1 - 3
Lutron	myRoom DIN power module	MQSE-4A1-D	100% - 1%	1 - 6	1 - 3
Lutron	HomeWorks® QS wallbox power module	HQRJ-WPM-6D-120-	100% - 1%	1 - 26	1 - 13
Lutron	Homeworks® DIN power module	LQSE-4A1-D	100% - 1%	1 - 6	1 - 3
Lutron	HomeWorks® wallbox power module	HWI-WPM-6D-120	100% - 1%	1 - 26	1 - 13
Lutron	GRAFIK Eye® QS control unit	QSGR-, QSGRJ-	100% - 1%	1 - 26	1 - 13
Lutron	GRAFIK Eye® 3000 control unit	GRX-3100-, GRX-3500-	100% - 1%	1 - 26	1 - 13
Lutron	RPM-4U module	HW-RPM-4U-120, LP-RPM-4U-120	100% - 1%	1 - 26	1 - 13
Lutron	RPM-4A module	HW-RPM-4A-120, LP-RPM-4A-120	100% - 1%	1 - 26	1 - 13
Lutron	GP dimming panels	Various	100% - 1%	1 - 26	1 - 13
Lutron	Ariadni CL 250W dimmer	AYCL-253P-	100%-1%	1 - 8	1 - 4
Lutron	Diva CL 250W dimmer	DVCL-253P-, DVSCCL-253P-	100%-1%	1 - 8	1 - 4
Lutron	Grafik T CL or RFCL dimmer	GT-250M-, GTJ-250M-	100%-1%	1 - 8	1 - 4
Lutron	Nova T CL 250W dimmer	NTCL-250-	100%-1%	1 - 10	1 - 5

\* NOTE: Refer to dimmer manufacturer's documentation for installation instructions and circuit details.

**DIML3  
2 WIRE PHASE DIMMING**





**DIMMING DRIVER COMPATIBILITY  
SELECTION GUIDE  
DIML4**

**DIMMING DRIVER WIRING SCHEMES:**

**NOTES:**

Wiring diagrams are examples of typical installations intended to illustrate the number of wires that must be run to fixture. These diagrams are not intended to specify all equipment necessary for a given dimming circuit. Refer to specific dimmer manufacturer's documentation for details.

**IMPORTANT SAFETY INSTRUCTIONS**

**- SAVE THESE INSTRUCTIONS**

1. Keep these instructions in a safe place for future reference.
2. Only qualified electricians in accordance to local codes should install these fixtures.
3. De-energize the electrical circuit at the circuit breaker prior to installation process or servicing.
4. Make sure all connections are in accordance with the National Electrical Code and any local regulations.
5. Cap any wires not used separately (not together).

**DIML4 LED: Lutron Hi-Lume A-Series LED Driver with 3-Wire FL Control / LED Dimming Driver Wiring (Dims down to 1%)**

DIML4 3-Wire Dimmer Compatibility Chart					
Manufacturer	Product	Part Number	Dimmed Light Output Range	Qty Fixtures Per Control*	
				Fixture Wattage	
<b>120V Only</b>				39W and Less	40W - 80W
ETC	Sensor+ Cabinet	D20 Dimming module	100% - 1%	1-53	1-26
ETC	Unison DRd Cabinet	D20F Dimming module	100% - 1%	1-53	1-26
Lutron	Nova T	NTF-10-	100%-1%	1-41	1-20
Lutron	Nova T	NTF-103P-	100%-1%	1-20	1-10
Lutron	Nova	NF-10-	100%-1%	1-41	1-20
Lutron	Nova	NF-103P-	100%-1%	1-20	1-10
Lutron	Vareo	VF-10-	100%-1%	1-20	1-10
Lutron	Skylark	SF-10P-, SF-103P-	100%-1%	1-20	1-10
Lutron	Diva	DVF-103P-, DVSCF-103P-	100%-1%	1-20	1-10
Lutron	Ariadni	AYF-103P-	100%-1%	1-20	1-10
Lutron	Vierti	VTF-6A-	100%-1%	1-15	1-7
Lutron	Maestro	MAF-6AM-, MSCF-6AM-	100%-1%	1-15	1-7
Lutron	Maestro Wireless	MRF2-F6AN-DV-	100%-1%	1-15	1-7
Lutron	RadioRA 2	RRD-F6AN-DV-	100%-1%	1-15	1-7
Lutron	HomeWorks QS	HQRD-F6AN-DV	100%-1%	1-15	1-7
Lutron	Interfaces	PHPM-3F-120, PHPM-3F-DV	100%-1%	1-41	1-20
Lutron	GP Dimming Panels	Various	100%-1%	1-41	1-20
<b>277V Only</b>				40W and Less	41W - 80W
ETC	Sensor+ Cabinet	D20 Dimming module	100% - 1%	1-53	1-26
ETC	Unison DRd Cabinet	D20F Dimming module	100% - 1%	1-53	1-26
Lutron	Nova T	NTF-10-277-	100%-1%	1-44	1-22
Lutron	Nova T	NTF-103P-277-	100%-1%	1-33	1-16
Lutron	Nova	NF-10-277-	100%-1%	1-44	1-22
Lutron	Nova	NF-103P-277-	100%-1%	1-33	1-16
Lutron	Skylark	SF-12P-277-, SF-12P-277-3	100%-1%	1-33	1-16
Lutron	Diva	DVF-103P-277-, DVSCF-103P-277-	100%-1%	1-33	1-16
Lutron	Ariadni	AYF-103P-277-	100%-1%	1-44	1-22
Lutron	Vierti	VTF-6A-	100%-1%	1-33	1-16
Lutron	Maestro	MAF-6AM-277-, MSCF-6AM-277-	100%-1%	1-20	1-10
Lutron	Maestro Wireless	MRF2-F6AN-DV-	100%-1%	1-33	1-16
Lutron	RadioRA 2	RRD-F6AN-DV-	100%-1%	1-33	1-16
Lutron	HomeWorks QS	HQRD-F6AN-DV	100%-1%	1-33	1-16
Lutron	Interfaces	PHPM-3F-DV	100%-1%	1-88	1-44
Lutron	GP Dimming Panels	Various	100%-1%	1-88	1-44

\* NOTE: Number of fixtures may be higher if wattage is less than maximum values shown. Refer to dimmer manufacturer's documentation for installation instructions and circuit details.

**DIML4 wiring diagrams continued on next page**



**DIMMING DRIVER COMPATIBILITY  
SELECTION GUIDE**

**DIML4 Continued**

**DIMMING DRIVER WIRING SCHEMES:**

**NOTES:**

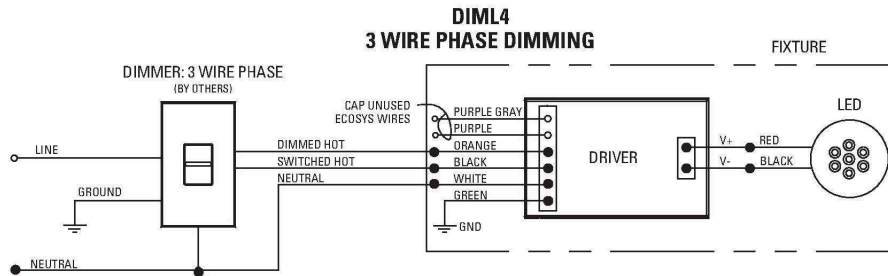
Wiring diagrams are examples of typical installations intended to illustrate the number of wires that must be run to fixture. These diagrams are not intended to specify all equipment necessary for a given dimming circuit. Refer to specific dimmer manufacturer's documentation for details.

**IMPORTANT SAFETY INSTRUCTIONS**

**- SAVE THESE INSTRUCTIONS**

1. Keep these instructions in a safe place for future reference.
2. Only qualified electricians in accordance with local codes should install these fixtures.
3. De-energize the electrical circuit at the circuit breaker prior to installation process or servicing.
4. Make sure all connections are in accordance with the National Electrical Code and any local regulations.
5. Cap any wires not used separately (not together).

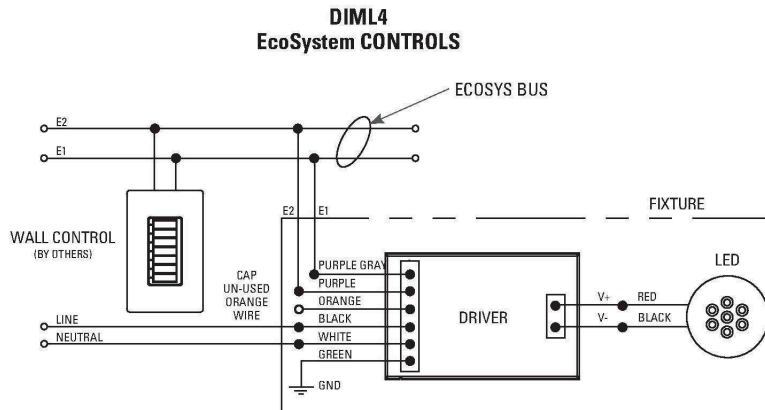
**DIML4 LED: Lutron Hi-Lume A-Series LED Driver with 3-Wire FL Control / LED Dimming Driver Wiring (Dims down to 1%)**



**DIML4 LED: Lutron Hi-Lume A-Series LED Driver with EcoSystem Control / LED Dimming Driver Wiring (Dims down to 1%)**

DIML4 EcoSystem Dimmer Compatibility Chart					
Manufacturer	Product	Part Number	Dimmed Light Output Range	Qty Fixtures Per Control*	
				Fixture Wattage	
<b>120V / 277V</b>					
Lutron	PowPak dimming module	RMJ-EC032-DV-B	100%-1%	39W and Less	40W - 80W
Lutron	Energi Savr Node	QSN-1ECO-S, QSN-2ECO-S	100%-1%	1-64	1-32
Lutron	GRAFIK Eye QS (120V ONLY)	QSGRJ- E, QSGR- E	100%-1%	1-64	1-32
Lutron	Quantum	Various	100%-1%	1-64	1-32

\* NOTE: Number of fixtures may be higher if wattage is less than maximum values shown. Refer to dimmer manufacturer's documentation for installation instructions and circuit details.





**DIMMING DRIVER COMPATIBILITY SELECTION GUIDE**

**DIML6A, 6E  
DIML6B, 6F**

**IMPORTANT SAFETY INSTRUCTIONS  
- SAVE THESE INSTRUCTIONS**

1. Keep these instructions in a safe place for future reference.
2. Only qualified electricians in accordance with local codes should install these fixtures.
3. De-energize the electrical circuit at the circuit breaker prior to installation process or servicing.
4. Make sure all connections are in accordance with the National Electrical Code and any local regulations.
5. Cap any wires not used separately (not together).

**DIML6A and DIML6E LED Dimming Compatibility Table**

DIML6A and DIML6E are linearly programmed dimming drivers for use with logarithmic-style dimming controls (e.g., Lutron and others listed in the table below)  
DIML6A = EldoLED SOLDrive 0-10V control dims from 100% to 0.1%  
DIML6E = EldoLED ECOdrive 0-10V control dims from 100% to 1%

Manufacturer	Product	Part Number	Dimmed Light Output Range	Qty Fixtures Per Dimmer*
<b>120V &amp; 277V</b>			<b>DIML6A / E</b>	
Lutron	Diva	DVTV/NFTV/NTFTV with PP-20	99% - 0.1% / 1%	Refer to manufacturer's dimmer load rating for maximum and minimum fixture quantities per dimmer.
Lutron	Energi Savr Node	QSN-4T16-S	100% - 0.1% / 1%	
Lutron	GP Dimming Panels	TVM2 Module	99% - 0.1% / 1%	
Lutron	Interfaces	GRX-TVI w/ GRX3503	100% - 0.1% / 1%	
Sensor Switch	nIO	nIO EZ	100% - 0.1% / 1%	

\* NOTE: Refer to dimmer manufacturer's documentation for installation instructions and circuit details.

**DIML6B and DIML6F LED Dimming Compatibility Table**

DIML6B and DIML6F are logarithmic-programmed dimming drivers for use with linear-style dimming controls (e.g., Crestron, non-Lutron and others listed in the table below)  
DIML6B = EldoLED SOLDrive 0-10V control dims from 100% to 0.1%  
DIML6F = EldoLED ECOdrive 0-10V control dims from 100% to 1%

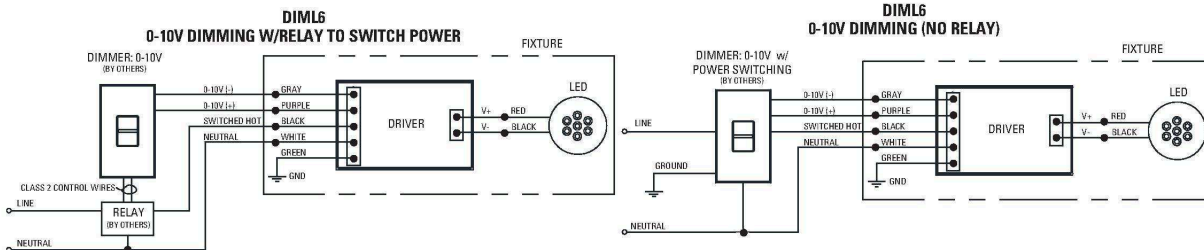
<b>DIML6B Dimmer Compatibility Chart</b>				
Manufacturer	Product	Part Number	Dimmed Light Output Range	Qty Fixtures Per Dimmer*
<b>120V &amp; 277V</b>			<b>DIML6B / F</b>	
Bush-Jaeger	Electronic potentiometer	2112U-101	100% - 0.1% / 1%	Refer to manufacturer's dimmer load rating for maximum and minimum fixture quantities per dimmer.
Jung	Electronic potentiometer	240-10	100% - 0.1% / 1%	
Leviton	IllumaTech dimmer	IP710-DLX	100% - 0.1% / 1%	
Lightolier (Philips)	Momentum (120V ONLY)	ZP600FAM120	100% - 0.1% / 1%	
Merten	Electronic potentiometer	5729	100% - 0.1% / 1%	
Pass & Seymour	Titan	CD4FB-W	100% - 0.1% / 1%	
Watt Stopper	Miro	DCLV1	100% - 0.1% / 1%	
Synergy	Wallbox Dimmers	ISD BC	100% - 0.1% / 1%	
ABB	i-bus	SD/S 2.16.1	100% - 0.1% / 1%	
Crestron	Modules	GLX-DIMFLV8, GLXP-DIMFLV8	100% - 0.1% / 1%	
Crestron	Green Light	GLPAC-DIMFLV4-, GLPAC-DIMFLV8-	100% - 0.1% / 1%	
Crestron	Green Light Power Pack	GLPP-DIMFLVEX-PM, GLPP-1DIMFLV2EX-PM, GLPP-1DIMFLV3EX-PM	100% - 0.1% / 1%	
Crestron	DIN Rail Analog Output Module	DIN-A08	100% - 0.1% / 1%	
Crestron	DIN Rail 0-10V Fluorescent Dimmer	DIN-4DIMFLV4	100% - 0.1% / 1%	
Crestron	iLux 0-10V Dimmer Expansion Module	CLS-EXP-DIMFLV	100% - 0.1% / 1%	

\* NOTE: Refer to dimmer manufacturer's documentation for installation instructions and circuit details.

**DIMMING DRIVER WIRING SCHEMES:**

**NOTES:**

Wiring diagrams are examples of typical installations intended to illustrate the number of wires that must be run to fixture. These diagrams are not intended to specify all equipment necessary for a given dimming circuit. Refer to specific dimmer manufacturer's documentation for details.





## DIMMING DRIVER COMPATIBILITY SELECTION GUIDE DIML7

### DIMMING DRIVER WIRING SCHEMES:

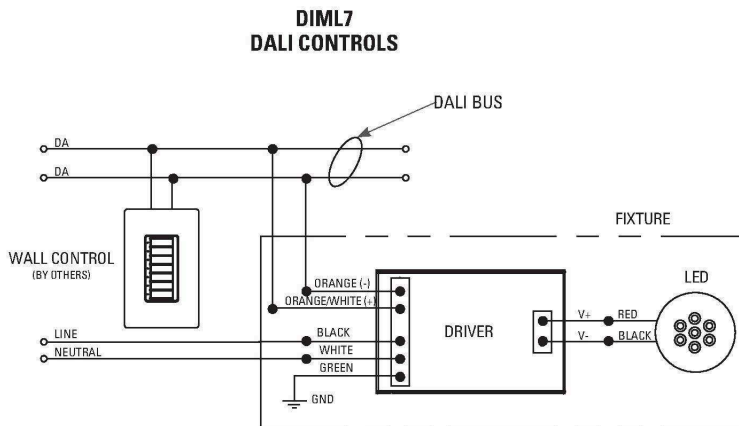
**NOTES:**

Wiring diagrams are examples of typical installations intended to illustrate the number of wires that must be run to fixture. These diagrams are not intended to specify all equipment necessary for a given dimming circuit. Refer to specific dimmer manufacturer's documentation for details.

**IMPORTANT SAFETY INSTRUCTIONS  
- SAVE THESE INSTRUCTIONS**

1. Keep these instructions in a safe place for future reference.
2. Only qualified electricians in accordance to local codes should install these fixtures.
3. De-energize the electrical circuit at the circuit breaker prior to installation process or servicing.
4. Make sure all connections are in accordance with the National Electrical Code and any local regulations.
5. Cap any wires not used separately (not together).

**DIML7 LED: EldoLED DALI Dimming Driver Wiring (Dims down to 0.1%)**



Recessed adjustable LED downlight with 3" square trimless beveled lensed trim and low profile housing. Finish White

*Manufacturer:* USAI

*Fixture Wattage:* 20w

*Fixture Line:* BeveLEDmini Trimless

*Fixture Voltage:* 120

*Fixture:* BabyLED Downlight

*Load Type:* FWD PHASE

*Catalog #:* 2411W-B1-S-10/LSLD3-9020-M2-27KH-50-FT-120V-DIML9-CM27

*Mounting:* Recessed ceiling

*Lamp Spec:* Integral 2700K LED, 840lm, 90+ CRI, 42lm/w, 50° beam

*Lamp Voltage:* 120V

**Fixture Specification Notes**

- 1) Fixture is flangeless, for installation in sheetrock ceiling.
- 2) Contractor to order housing/frame-in kit as required.
- 3) Verify ceiling thickness and finish with Architect prior to ordering.
- 4) Verify fixture finish with Architect prior to ordering.



**BeveLED<sup>®</sup> mini Trimless**

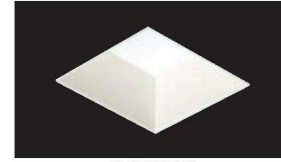


Covered By US Patents 7,832,889 and 8,684,570

**PROJECT INFORMATION**

PROJECT \_\_\_\_\_  
DATE \_\_\_\_\_  
TYPE \_\_\_\_\_

**DOWNLIGHT 2411**



1" REGRESS

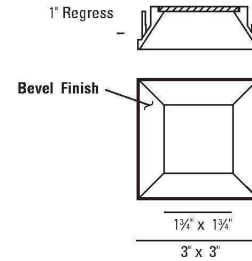
**BeveLED mini Recessed Downlight** - The BeveLED mini provides maximum delivered lumens and optical performance through the optimization of thermal, optical and LED science in the smallest possible aperture.

**DELIVERED PERFORMANCE**

BeveLED mini DOWNLIGHT	14 Watts		20 Watts	
	80+ CRI	90+ HIGH CRI	80+ CRI	90+ HIGH CRI
Color Rendering Index	80+	90+	80+	90+
Lumens per Watt	64	52	53	43
Source Lumens	1100	825	1500	1050
Delivered Lumens	900	725	1150	925
Color Consistency	2-Step MacAdam Ellipse			

Performance based on 3000K

CCT MULTIPLIER	2700K		3000K		3500K		4000K	
	80+ CRI	90+ HIGH CRI	80+ CRI	90+ HIGH CRI	80+ CRI	80+ CRI	80+ CRI	80+ CRI
Color Rendering Index Multiplier for Lumen Output	1.00	0.73	1.00	.80	1.15	1.07		



**HOW TO SPECIFY**

**Ordering Example:** Specify trim code and housing code to order: Example : **2411W - B1 - S - 10 - LSLD3 - 9014 - M2 - 27KS - 25 - NC1 - 277V - DIML2 - CB27**

**TRIM ORDERING INFORMATION**

TRIM	OPTION	BEVEL STYLE	LENS	B1 BEVEL FINISH
2411	W	B1	S	10
2411 Square Trimless Downlight 1" Regress	Wet location <sup>1</sup>	1" Regress Bevel, Painted Die Cast	S Solite (provided standard) F Frosted	10 White 13 Statuary Bronze 21 Black 28 Metalized Grey RAL Custom Color (specify RAL #)
	<sup>1</sup> Wet location, use with B1 trims only. N/A with millwork	AB1 1" Regress Bevel, Black Anodized Finish AC1 1" Regress Bevel, Clear Matte Anodized Finish	S Solite (provided standard) F Frosted	(Leave blank for AB1 and AC1 Bevel Styles)

**HOUSING ORDERING INFORMATION**

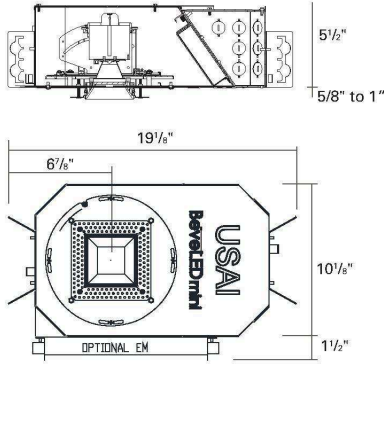
HOUSING CODE	WATTAGE	ENGINE CODE	COLOR	REFLECTOR	HOUSING TYPE	SELECT ONE VOLTAGE	DIMMING DRIVER OPTIONS	ACCESSORIES
LSLD3	9014 14W LED, 900 lumens 9020 20W LED, 1150 lumens	M2	27KS 2700K, 80+ CRI 30KS 3000K, 80+ CRI 35KS 3500K, 80+ CRI 40KS 4000K, 80+ CRI 27KH 2700K, 90+ CRI 30KH 3000K, 90+ CRI	25 25° beam 35 35° beam 50 50° beam	NC1 New Construction CP Chicago Plenum <sup>2</sup> IC Insulation-Contact Rated / Airtight <sup>2</sup> FT BabyLED <sup>2</sup>	120V 277V	For use with 120V or 277V DIML2 0-10V dim, 10% (provided standard) DIML4 Lutron A3-wire/ECO, 1% <sup>3</sup> DIML4E Lutron 5 ECO, 5% <sup>3</sup> DIML4H Lutron H ECO, 1% Fade <sup>3</sup> DIML6A EldoLED 0-10V, 0.1%, logarithmic/ Lutron controls <sup>3</sup> DIML6B EldoLED 0-10V, 0.1%, linear controls <sup>3</sup> DIML6E EldoLED 0-10V, 1%, logarithmic/ Lutron controls <sup>3</sup> DIML6F EldoLED 0-10V, 1%, linear controls <sup>3</sup> DIML7 EldoLED DALI, 0.1% <sup>3</sup>	CB27 27" C-Channel Bars CB52 52" C-Channel Bars CM27 27" C-Channel Bars (use with FT housing only) CMS2 52" C-Channel Bars (use with FT housing only) EML Emergency battery <sup>4</sup> EMLW Emergency battery, wet location <sup>4</sup> MLXX Millwork Adapter XX=Specify Color (Millwork not wet listed)
			2 Step MacAdam ellipse is standard for all		<sup>2</sup> Not available with EM.	120V 347V	For use with 120V only DIML3 Lutron A 2-wire, 1%, 120V only <sup>3</sup> DIML19 Phase 2-wire dimming, 1% 120V only For use with 347V only DIML15 0-10V dim, 1% 347 only <sup>3</sup> <sup>3</sup> N/A with FT housing	<sup>4</sup> EM requires above ceiling access. For use with NC1 housing only.

# BeveLED<sup>®</sup> mini Trimless

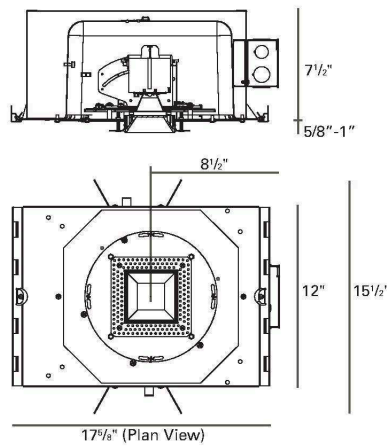


## HOUSING INFORMATION

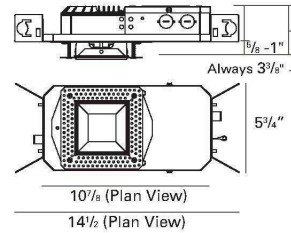
### New Construction Housing - NC1



### IC / Airtight - IC Chicago Plenum - CP



### BabyLED - FT



## SPECIFICATIONS

**TRIM:** 3" square aperture with a 1" regressed bevel, retained by two mounting clips. Die cast aluminum bevel is available in white, statuary bronze, black, and metalized grey finishes. Also available in black anodized or clear matte anodized bevel. Custom colors available (provide RAL#).

**TRIM LENS:** Trim is shipped with integral solite lens. Frosted lens available as an option.

**REFLECTOR:** Interchangeable precision injection molded specular polycarbonate reflector optimized for 25°, 35° or 50° beam distribution.

**FIELD REPLACEABLE LIGHT ENGINE:** Available in 2 lumen packages: 14W (900 delivered lumens), 20W (1150 lm). Engine is field replaceable through the aperture without tools.

**COLOR:** BeveLED mini is available in 4 color temperatures (2700K, 3000K, 3500K, 4000K). All color options are tightly binned for fixture-to-fixture color consistency within a 2-Step MacAdam Ellipse. 80+ color rendering index provided standard. 90+ CRI available for 2700K and 3000K CCTs.

**RATED LIFE:** Based on IESNA LM80-2008 50,000 hours at 70% lumen maintenance (L70).

**THERMAL MANAGEMENT:** Proprietary high performance aluminum die cast heatsink for maximum LED life. Ambient temperatures at fixture location should not exceed 40°C during normal operation.

**FIELD REPLACEABLE DRIVER:** 0-10V, 100%-10% solid state electronic constant current DIML2 dimming driver with a high power factor provided standard and sources 2mA. Specify 120V or 277V. Driver complies with IEEE C62.41 surge protection.

**DIMMING OPTIONS:** Multiple dimming drivers available. See compatibility chart attached. Some on-time delay may be experienced depending on control system used. Note: DIML6A and DIML6E logarithmic control are intended for use with Lutron control systems; DIML6B and DIML6F linear control are intended for use with non-Lutron controls. DIML6 dimming drivers source 2mA.

**EMERGENCY:** Emergency lighting battery pack with remote test switch requires above ceiling access for service. Bodine 17C provides 200mA for 90 minutes; delivers 450 lumens. EMLW wet location option is available with B1 trim only and requires remote test switch. EM option is available with NC1 housings only.

**HOUSING:** All-Ways Square® (covered by US Pat. No: US 7,832,889) housing allows alignment of square aperture (up to 20° rotation) after housing installation and prior to finish ceiling installation. Fabricated of 20 ga. galvanized steel with thru wire J-box, 4 in 4 out at min. 90°C, #12 AWG thru branch circuit wiring. IC-rated housings for use with 14W light engines only are rated for direct contact with insulation of R-42 or less. IC-rated housings for use with 20W light engines are rated for direct contact with insulation of R-30 or less. FT housing not for use with through-branch circuit wiring.

**MOUNTING:** Butterfly brackets and adjustable nailer bars with integral nails provided standard. Nailers are extendible from 14" to 24" centers. If channel bars are specified for FT housing, special reduced height channel bars (CM27 or CM52) will be provided.

**MAXIMUM CEILING THICKNESS:** As per drawings above. Millwork option for 1" max wood.

**CEILING CUT OUT:** Millwork: 3-5/16" x 3-5/16"  
All others: 3-1/2" x 3-1/2"

**LISTINGS:** Dry/Damp. Wet location option available with B1 trim only. Millwork dry/damp only. NRTL/CSA-US tested to UL standards. IBEW union made.

**WARRANTY:** 5 years



### NOTES:

- Not for use in corrosive environment.
- Use of pressure washer voids warranty.
- For interior use only.
- Not for use with acoustical ceilings.
- Trimless for drywall installation only.
- Millwork option for non-spackle installations.

**PHOTOMETRICS:** Consult factory or website for IES files. Tested in accordance with IESNA LM79-2008.

**BeveLED<sup>mini</sup> Trimless**



**DELIVERED PERFORMANCE**

**2110 / 2411 14W 30KS 25°**

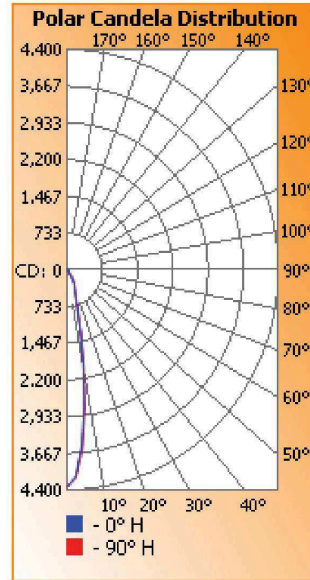
**Coefficients Of Utilization - Zonal Cavity Method**

Effective Floor Cavity Reflectance: 20%

RCC %:	80				70				50				30				10				0			
RW %:	70	50	30	0	70	50	30	0	50	30	20	0	50	30	20	0	50	30	20	0	50	30	20	0
RCR: 0	1.19	1.19	1.19	1.19	1.16	1.16	1.16	1.00	1.11	1.11	1.11	1.11	1.06	1.06	1.06	1.06	1.02	1.02	1.02	1.02	1.00	1.00	1.00	1.00
1	1.14	1.12	1.10	1.08	1.12	1.10	1.08	.96	1.06	1.04	1.03	1.03	1.02	1.01	1.00	1.00	.99	.98	.97	.95	.95	.94	.92	.91
2	1.10	1.06	1.03	1.00	1.08	1.04	1.01	.92	1.01	.99	.96	.96	.98	.96	.94	.94	.95	.94	.92	.91	.92	.90	.88	.87
3	1.06	1.00	.96	.93	1.04	.99	.95	.88	.97	.93	.91	.91	.94	.92	.90	.90	.92	.90	.88	.87	.89	.86	.84	.83
4	1.02	.96	.91	.88	1.00	.95	.90	.84	.93	.89	.86	.86	.91	.88	.85	.85	.89	.86	.84	.83	.86	.83	.81	.79
5	.98	.91	.87	.83	.97	.90	.86	.80	.89	.85	.82	.82	.87	.84	.81	.81	.86	.83	.81	.79	.85	.82	.80	.78
6	.95	.87	.83	.79	.93	.87	.82	.77	.85	.81	.78	.78	.84	.81	.78	.78	.83	.80	.78	.76	.82	.79	.77	.75
7	.91	.84	.79	.76	.90	.83	.79	.74	.82	.78	.75	.75	.81	.78	.75	.75	.80	.77	.75	.73	.79	.76	.74	.72
8	.88	.81	.76	.73	.87	.80	.76	.72	.79	.75	.72	.72	.78	.75	.72	.72	.78	.74	.72	.71	.77	.73	.71	.69
9	.86	.78	.73	.70	.85	.78	.73	.69	.77	.73	.70	.70	.76	.72	.70	.70	.75	.72	.69	.68	.74	.70	.67	.66
10	.83	.75	.71	.68	.82	.75	.71	.67	.74	.70	.68	.68	.74	.70	.67	.67	.73	.70	.67	.66	.73	.70	.67	.66

**Zonal Lumen Summary**

Zone	Lumens	% Luminaire
0-30	733.9	83.5%
0-40	836.5	95.1%
0-60	871.9	99.2%
60-90	7.4	0.8%
70-100	1.7	0.2%
90-120	0	0%



**2110 / 2411 20W 30KS 25°**

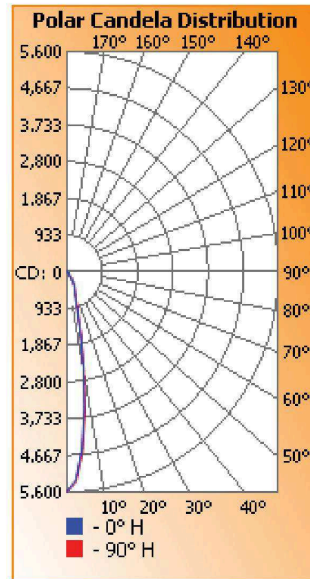
**Coefficients Of Utilization - Zonal Cavity Method**

Effective Floor Cavity Reflectance: 20%

RCC %:	80				70				50				30				10				0			
RW %:	70	50	30	0	70	50	30	0	50	30	20	0	50	30	20	0	50	30	20	0	50	30	20	0
RCR: 0	1.19	1.19	1.19	1.19	1.16	1.16	1.16	1.00	1.11	1.11	1.11	1.11	1.06	1.06	1.06	1.06	1.02	1.02	1.02	1.02	1.00	1.00	1.00	1.00
1	1.14	1.12	1.10	1.08	1.12	1.10	1.08	.96	1.06	1.04	1.03	1.03	1.02	1.01	1.00	1.00	.99	.98	.97	.95	.95	.94	.92	.91
2	1.10	1.06	1.03	1.00	1.08	1.04	1.01	.92	1.01	.99	.96	.96	.98	.96	.94	.94	.95	.94	.92	.91	.92	.90	.88	.87
3	1.06	1.00	.96	.93	1.04	.99	.95	.88	.97	.93	.91	.91	.94	.92	.90	.90	.92	.90	.88	.87	.89	.86	.84	.83
4	1.02	.96	.91	.88	1.00	.95	.90	.84	.93	.89	.86	.86	.91	.88	.85	.85	.89	.86	.84	.83	.86	.83	.81	.79
5	.98	.91	.87	.83	.97	.90	.86	.80	.89	.85	.82	.82	.87	.84	.81	.81	.86	.83	.81	.79	.85	.82	.80	.78
6	.95	.87	.83	.79	.93	.87	.82	.77	.85	.81	.78	.78	.84	.81	.78	.78	.83	.80	.78	.76	.82	.79	.77	.75
7	.91	.84	.79	.76	.90	.83	.79	.74	.82	.78	.75	.75	.81	.78	.75	.75	.80	.77	.75	.73	.79	.76	.74	.72
8	.88	.81	.76	.73	.87	.80	.76	.72	.79	.75	.72	.72	.78	.75	.72	.72	.78	.74	.72	.71	.77	.73	.71	.69
9	.86	.78	.73	.70	.85	.78	.73	.69	.77	.73	.70	.70	.76	.72	.70	.70	.75	.72	.69	.68	.74	.70	.67	.66
10	.83	.75	.71	.68	.82	.75	.71	.67	.74	.70	.68	.68	.74	.70	.67	.67	.73	.70	.67	.66	.73	.70	.67	.66

**Zonal Lumen Summary**

Zone	Lumens	% Luminaire
0-30	943.3	83.5%
0-40	1,075.2	95.1%
0-60	1,120.7	99.2%
60-90	9.5	0.8%
70-100	2.1	0.2%
90-120	0	0%



**BeveLED<sup>®</sup>mini Trimless**



**DELIVERED PERFORMANCE**

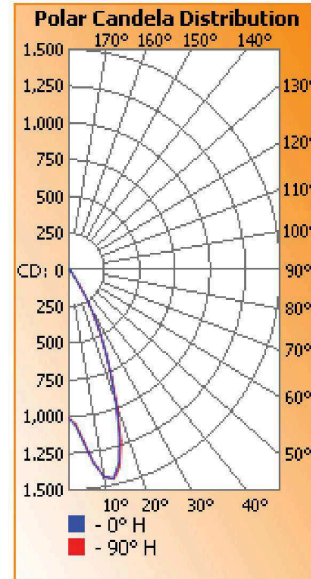
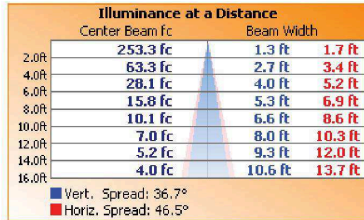
**2110 / 2411 14W 30KS 35°**

**Coefficients Of Utilization - Zonal Cavity Method**  
Effective Floor Cavity Reflectance: 20%

RCC %:	80				70				50				30				10				0			
RW %:	70	50	30	0	70	50	30	0	50	30	20	0	50	30	20	0	50	30	20	0	50	30	20	0
RCR: 0	1.19	1.19	1.19	1.19	1.16	1.16	1.16	1.00	1.11	1.11	1.11	1.11	1.06	1.06	1.06	1.06	1.02	1.02	1.02	1.02	1.00	1.00	1.00	1.00
1	1.14	1.11	1.09	1.07	1.12	1.09	1.07	.95	1.05	1.04	1.02	1.01	1.01	1.00	.99	.98	.98	.97	.96	.94	.94	.94	.94	.94
2	1.09	1.04	1.01	.98	1.07	1.03	.99	.90	.99	.97	.94	.97	.94	.92	.92	.94	.92	.90	.89	.89	.89	.87	.85	.84
3	1.04	.98	.94	.90	1.02	.97	.93	.85	.94	.91	.88	.92	.89	.86	.86	.90	.87	.85	.85	.84	.84	.83	.82	.81
4	.99	.93	.87	.84	.98	.91	.87	.80	.89	.85	.82	.87	.84	.81	.81	.86	.83	.80	.80	.79	.79	.78	.77	.76
5	.95	.87	.82	.78	.93	.86	.82	.76	.85	.80	.77	.83	.79	.76	.76	.82	.78	.76	.76	.74	.74	.73	.72	.71
6	.91	.83	.77	.73	.89	.82	.77	.72	.81	.76	.73	.79	.75	.72	.72	.78	.74	.72	.72	.70	.70	.69	.68	.67
7	.87	.79	.73	.69	.86	.78	.73	.68	.77	.72	.69	.76	.71	.68	.68	.74	.71	.68	.68	.67	.67	.66	.65	.64
8	.83	.75	.69	.66	.82	.74	.69	.64	.73	.68	.65	.72	.68	.65	.65	.71	.67	.65	.65	.63	.63	.62	.61	.60
9	.80	.71	.66	.62	.79	.71	.66	.61	.70	.65	.62	.69	.65	.62	.62	.68	.64	.61	.61	.60	.60	.59	.58	.57
10	.77	.68	.63	.59	.76	.67	.62	.58	.67	.62	.59	.66	.62	.59	.59	.65	.61	.58	.58	.57	.57	.56	.55	.54

**Zonal Lumen Summary**

Zone	Lumens	% Luminaire
0-30	739.7	82.5%
0-40	856.9	95.5%
0-60	890.6	99.3%
60-90	6.2	0.7%
70-100	1.3	0.1%
90-120	0	0%



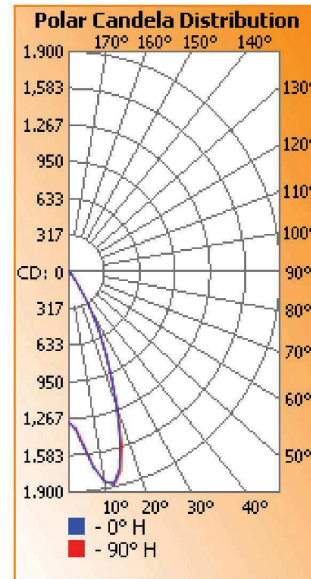
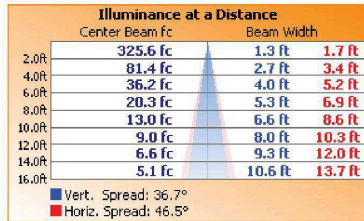
**2110 / 2411 20W 30KS 35°**

**Coefficients Of Utilization - Zonal Cavity Method**  
Effective Floor Cavity Reflectance: 20%

RCC %:	80				70				50				30				10				0			
RW %:	70	50	30	0	70	50	30	0	50	30	20	0	50	30	20	0	50	30	20	0	50	30	20	0
RCR: 0	1.19	1.19	1.19	1.19	1.16	1.16	1.16	1.00	1.11	1.11	1.11	1.11	1.06	1.06	1.06	1.06	1.02	1.02	1.02	1.02	1.00	1.00	1.00	1.00
1	1.14	1.11	1.09	1.07	1.12	1.09	1.07	.95	1.05	1.04	1.02	1.01	1.01	1.00	.99	.98	.98	.97	.96	.94	.94	.94	.94	.94
2	1.09	1.04	1.01	.98	1.07	1.03	.99	.90	.99	.97	.94	.97	.94	.92	.92	.94	.92	.90	.89	.89	.89	.87	.85	.84
3	1.04	.98	.94	.90	1.02	.97	.93	.85	.94	.91	.88	.92	.89	.86	.86	.90	.87	.85	.85	.84	.84	.83	.82	.81
4	.99	.93	.87	.84	.98	.91	.87	.80	.89	.85	.82	.87	.84	.81	.81	.86	.83	.80	.80	.79	.79	.78	.77	.76
5	.95	.87	.82	.78	.93	.86	.82	.76	.85	.80	.77	.83	.79	.76	.76	.82	.78	.76	.76	.74	.74	.73	.72	.71
6	.91	.83	.77	.73	.89	.82	.77	.72	.81	.76	.73	.79	.75	.72	.72	.78	.74	.72	.72	.70	.70	.69	.68	.67
7	.87	.79	.73	.69	.86	.78	.73	.68	.77	.72	.69	.76	.71	.68	.68	.74	.71	.68	.68	.67	.67	.66	.65	.64
8	.83	.75	.69	.66	.82	.74	.69	.64	.73	.68	.65	.72	.68	.65	.65	.71	.67	.65	.65	.63	.63	.62	.61	.60
9	.80	.71	.66	.62	.79	.71	.66	.61	.70	.65	.62	.69	.65	.62	.62	.68	.64	.61	.61	.60	.60	.59	.58	.57
10	.77	.68	.63	.59	.76	.67	.62	.58	.67	.62	.59	.66	.62	.59	.59	.65	.61	.58	.58	.57	.57	.56	.55	.54

**Zonal Lumen Summary**

Zone	Lumens	% Luminaire
0-30	950.8	82.5%
0-40	1,101.4	95.5%
0-60	1,144.7	99.3%
60-90	8.0	0.7%
70-100	1.6	0.1%
90-120	0	0%



**BeveLED<sup>mini</sup> Trimless**



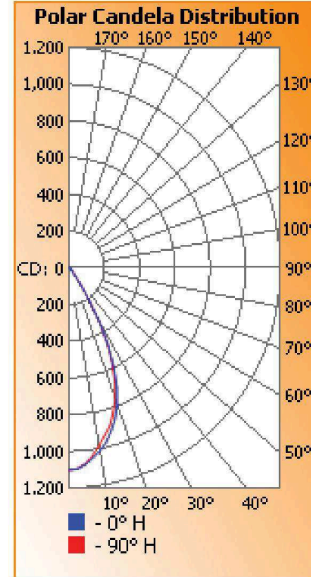
**DELIVERED PERFORMANCE**

**2110 / 2411 14W 30KS 50°**

**Coefficients Of Utilization - Zonal Cavity Method**

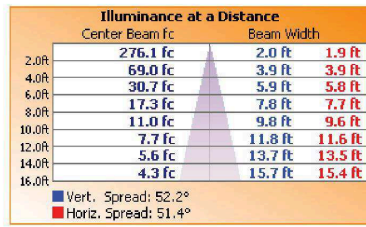
Effective Floor Cavity Reflectance: 20%

RCC %:	80				70				50				30				10				0
RW %:	70	50	30	0	70	50	30	0	50	30	20	0	50	30	20	0	50	30	20	0	0
RCC: 0	1.19	1.19	1.19	1.19	1.16	1.16	1.16	1.00	1.11	1.11	1.11	1.06	1.06	1.06	1.02	1.02	1.02	1.00	1.00	1.00	1.00
1	1.14	1.11	1.09	1.06	1.11	1.09	1.07	.94	1.05	1.03	1.01	1.01	1.00	.98	.98	.97	.96	.94	.94	.94	.94
2	1.08	1.03	1.00	.96	1.06	1.02	.98	.88	.99	.96	.93	.96	.93	.91	.93	.91	.89	.88	.88	.88	.88
3	1.03	.97	.92	.88	1.01	.95	.91	.83	.93	.89	.86	.90	.87	.85	.88	.86	.83	.82	.82	.82	.82
4	.98	.91	.85	.81	.96	.90	.85	.78	.87	.83	.80	.85	.82	.79	.84	.81	.78	.77	.77	.77	.77
5	.93	.85	.80	.75	.92	.84	.79	.73	.83	.78	.74	.81	.77	.74	.79	.76	.73	.72	.72	.72	.72
6	.89	.80	.75	.70	.87	.80	.74	.69	.78	.73	.70	.77	.72	.69	.75	.72	.69	.67	.67	.67	.67
7	.85	.76	.70	.66	.83	.75	.70	.65	.74	.69	.65	.73	.68	.65	.72	.68	.65	.63	.63	.63	.63
8	.81	.72	.66	.62	.80	.71	.66	.61	.70	.65	.62	.69	.65	.61	.68	.64	.61	.60	.60	.60	.60
9	.77	.68	.62	.58	.76	.68	.62	.58	.67	.62	.58	.66	.61	.58	.65	.61	.58	.57	.57	.57	.57
10	.74	.65	.59	.55	.73	.64	.59	.55	.63	.58	.55	.63	.58	.55	.62	.58	.55	.54	.54	.54	.54



**Zonal Lumen Summary**

Zone	Lumens	% Luminaire
0-30	630.1	76.9%
0-40	766.9	93.6%
0-60	809.5	98.9%
60-90	9.4	1.1%
70-100	2.1	0.3%
90-120	0	0%

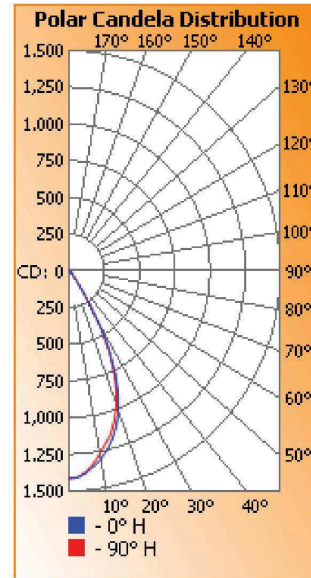


**2110 / 2411 20W 30KS 50°**

**Coefficients Of Utilization - Zonal Cavity Method**

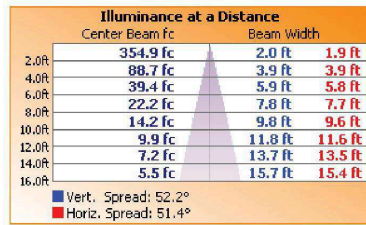
Effective Floor Cavity Reflectance: 20%

RCC %:	80				70				50				30				10				0
RW %:	70	50	30	0	70	50	30	0	50	30	20	0	50	30	20	0	50	30	20	0	0
RCC: 0	1.19	1.19	1.19	1.19	1.16	1.16	1.16	1.00	1.11	1.11	1.11	1.06	1.06	1.06	1.02	1.02	1.02	1.00	1.00	1.00	1.00
1	1.14	1.11	1.09	1.06	1.11	1.09	1.07	.94	1.05	1.03	1.01	1.01	1.00	.98	.98	.97	.96	.94	.94	.94	.94
2	1.08	1.03	1.00	.96	1.06	1.02	.98	.88	.99	.96	.93	.96	.93	.91	.93	.91	.89	.88	.88	.88	.88
3	1.03	.97	.92	.88	1.01	.95	.91	.83	.93	.89	.86	.90	.87	.85	.88	.86	.83	.82	.82	.82	.82
4	.98	.91	.85	.81	.96	.90	.85	.78	.87	.83	.80	.85	.82	.79	.84	.81	.78	.77	.77	.77	.77
5	.93	.85	.80	.75	.92	.84	.79	.73	.83	.78	.74	.81	.77	.74	.79	.76	.73	.72	.72	.72	.72
6	.89	.80	.75	.70	.87	.80	.74	.69	.78	.73	.70	.77	.72	.69	.75	.72	.69	.67	.67	.67	.67
7	.85	.76	.70	.66	.83	.75	.70	.65	.74	.69	.65	.73	.68	.65	.72	.68	.65	.63	.63	.63	.63
8	.81	.72	.66	.62	.80	.71	.66	.61	.70	.65	.62	.69	.65	.61	.68	.64	.61	.60	.60	.60	.60
9	.77	.68	.62	.58	.76	.68	.62	.58	.67	.62	.58	.66	.61	.58	.65	.61	.58	.57	.57	.57	.57
10	.74	.65	.59	.55	.73	.64	.59	.55	.63	.58	.55	.63	.58	.55	.62	.58	.55	.54	.54	.54	.54



**Zonal Lumen Summary**

Zone	Lumens	% Luminaire
0-30	809.9	76.9%
0-40	985.7	93.6%
0-60	1,040.5	98.9%
60-90	12.0	1.1%
70-100	2.7	0.3%
90-120	0	0%





**DIMMING DRIVER COMPATIBILITY  
SELECTION GUIDE  
D19 / DIML19**

**DIMMING DRIVER WIRING SCHEMES:**

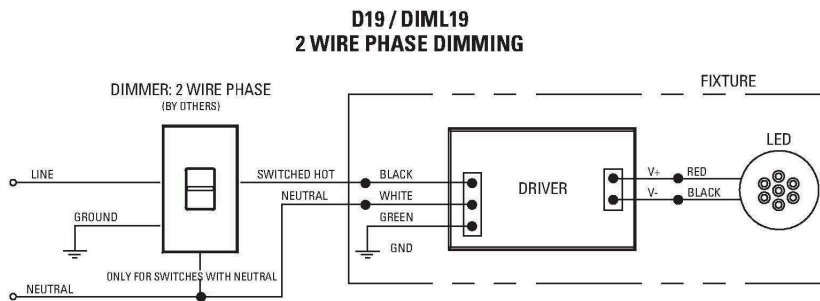
**NOTES:**

Wiring diagrams are examples of typical installations intended to illustrate the number of wires that must be run to fixture. These diagrams are not intended to specify all equipment necessary for a given dimming circuit. Refer to specific dimmer manufacturer's documentation for details.

**IMPORTANT SAFETY INSTRUCTIONS  
- SAVE THESE INSTRUCTIONS**

1. Keep these instructions in a safe place for future reference.
2. Only qualified electricians in accordance with local codes should install these fixtures.
3. De-energize the electrical circuit at the circuit breaker prior to installation process or servicing.
4. Make sure all connections are in accordance with the National Electrical Code and any local regulations.
5. Cap any wires not used separately (not together).

**D19 / DIML19 LED:** Hatch XTC series or equivalent - Forward and Reverse Phase Dimming Driver.  
**Dims down to 1% contingent upon dimmer specification and load. 120V only.**



**D19 / DIML19 Dimmer Compatibility Chart**

120V ONLY		
Forward Phase / TRIAC Dimming		
Manufacturer	Product	Qty Fixtures Per Dimmer
Leviton	IPL06-10Z	Use fixture wattage per fixture specification sheet to determine number of fixtures per dimmer. Max number of fixtures is limited by dimmer load rating.
	6613-xxx	
Lutron	S-600P	
	S-603P	
	DV-600P	
	DV-603P	
	DVSC-603P	
CT-600P		
CT-603P		

120V ONLY		
Reverse Phase / ELV Dimming		
Manufacturer	Product	Qty Fixtures Per Dimmer
Leviton	6615	Use fixture wattage per fixture specification sheet to determine number of fixtures per dimmer. Max number of fixtures is limited by dimmer load rating.
	IPE04-xxx	
Lutron	NTELV-300	
	NTELV-600	
	SELV-300P	
	SELV-303P	
	DVELV-300P	
DVELV-303P		

Recessed adjustable LED downlight with 3" square trimless beveled lensed trim. Finish White

*Manufacturer:* USAI

*Fixture Wattage:* 18w

*Fixture Line:* BeveLEDmini

*Fixture Voltage:* 120

*Fixture:* Adjustable 2433

*Load Type:* FWD PHASE

*Catalog #:* 2433-W-B1-S-10 LSLA3-8418-WGD1-2722KH-30-NC-120W-DIML3-AL20D (HOUSING)

*Mounting:* Recessed ceiling

*Accessories:* AL20D 35° Optic lens

*Lamp Spec:* Integral warm dimming LED, 2700K to 2200K, 900lm, 90+ CRI, 32lm/w

*Lamp Voltage:* 120V

**Fixture Specification Notes**

- 1) Fixture is flangeless, for installation in sheetrock ceiling.
- 2) Contractor to order housing/frame-in kit as required.
- 3) Verify ceiling thickness and finish with Architect prior to ordering.
- 4) Verify fixture finish with Architect prior to ordering.
- 5) Furnish fixture with Lutron Hi-Lume 2-wire phase dimming driver.
- 6) Furnish fixture with 90+ CRI LED.



**BeveLED<sup>®</sup> mini Trimless**  
**WARM GLOW<sup>®</sup> DIMMING**



Covered By US Patent 8,456,109 and 8,581,520

**PROJECT INFORMATION**

PROJECT \_\_\_\_\_  
DATE \_\_\_\_\_  
TYPE \_\_\_\_\_

**ADJUSTABLE 2433**



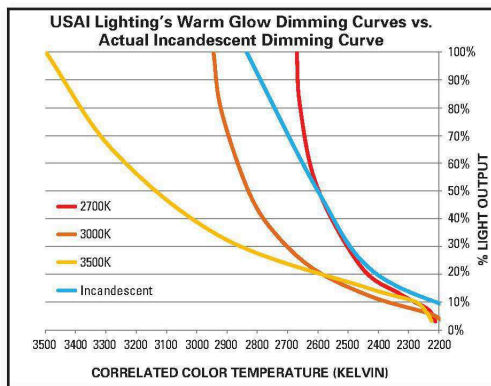
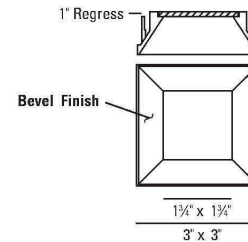
1" REGRESS

**BeveLED mini Warm Glow Dimming Trimless Recessed Adjustable** - Gradually transitions from 2700K, 3000K or 3500K down to 2200K, creating intimacy while enhancing the mood and feeling of space.

**DELIVERED PERFORMANCE - Adjustable**

Maximum Wattage	12Watts					18Watts				
	2700K		3000K		3500K	2700K		3000K		3500K
Maximum Color Temperature	80+	90+	80+	90+	80+	80+	90+	80+	90+	80+
Color Rendering Index	46	37	47	40	50	41	32	42	34	45
Lumens per Watt	850	675	900	725	975	1125	900	1200	950	1275
Source Lumens	<b>550</b>	<b>450</b>	<b>600</b>	<b>475</b>	<b>625</b>	<b>725</b>	<b>575</b>	<b>775</b>	<b>625</b>	<b>825</b>
Delivered Lumens	2-Step MacAdam Ellipse									
Color Consistency	2-Step MacAdam Ellipse									

Performance based on 3000K



**HOW TO SPECIFY**

**Ordering Example:** Specify trim code and housing code to order: **2433W - B1 - S - 10 - LSLA3 - 8418 - WGD1 - 2722KS - 30 - NC1 - 277V - DIML2 - CB27**

**TRIM ORDERING INFORMATION**

TRIM	OPTION	BEVEL STYLE	LENS	B1 BEVEL FINISH
2433	W	B1	S	10
Square 30° Trimless Adjustable, solite lens	Wet location <sup>1</sup>	1" Regress Bevel, Painted Die Cast	Solite (provided standard) F Frosted	10 White 13 Statuary Bronze 21 Black 28 Metalized Grey RAL Custom Color (specify RAL #)
	<sup>1</sup> Wet location, use with B1 trims only.	AB1 1" Regress Bevel, Black Anodized Finish AC1 1" Regress Bevel, Clear Matte Anodized Finish	S Solite (provided standard) F Frosted	(Leave blank for AB1 and AC1 Bevel Styles)

BeveLED Mini Optical Accessories Matrix	
if you want...	& you have...
35° beam	AL20D
40° beam	AL30D
45° beam	AL40D
55° beam	AL55D
60° beam	AL80D
40x60° beam	AS61D
	size D

**HOUSING ORDERING INFORMATION**

HOUSING CODE	WATTAGE	ENGINE CODE	COLOR	REFLECTOR	HOUSING TYPE	VOLTAGE	DIMMING DRIVER OPTIONS	ACCESSORIES	OPTICAL ACCESSORIES
LSLA3	8412 12W LED, 600 lumens 8418 18W LED, 775 lumens	WGD1	2722KS 2700K-2200K, 80+ CRI 3022KS 3000K-2200K, 80+ CRI 3522KS 3500K-2200K, 80+ CRI 2722KH 2700K-2200K, 90+ CRI 3022KH 3000K-2200K, 90+ CRI	30 30° beam	NC1 New Construction CP Chicago Plenum <sup>2</sup> IC Insulation-Contact Rated / Airtight <sup>2</sup>	120V 277V	DIML2 0-10V dim, 10% (provided standard) DIML3 Lutron Hi-Lume 1% 2-wire, 120V only DIML4 Lutron Hi-Lume 1% 3-wire/ECO DIML6A EldoLED 0-10V, 0.1%, logarithmic/Lutron controls DIML6B EldoLED 0-10V, 0.1%, linear controls DIML6E EldoLED 0-10V, 1%, logarithmic/Lutron controls DIML6F EldoLED 0-10V, 1%, linear controls DIML7 EldoLED DALI, 0.1%	CB27 27" C-Channel Bars CB52 52" C-Channel Bars EML Emergency battery <sup>3</sup> EMLW Emergency battery, wet location <sup>3</sup> MLX Millwork Adapter XX-Specify Color (Millwork not wet listed)	AL20D Refer to optical accessories matrix on next page for resulting beamspreads when accessory lens is combined with 30° optics AL30D AL40D AL55D AL80D AS61D
				2 Step MacAdam ellipse is standard for all	<sup>2</sup> Not available with EM			<sup>3</sup> EM requires above ceiling access. For use with NC1 housing only.	(Order separately)

**BeveLED<sup>®</sup> mini Trimless**

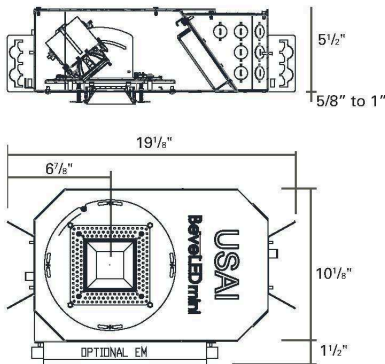
**WARM GLOW<sup>®</sup> DIMMING**

Covered By US Patents: 8,581,520 and 8,456,109

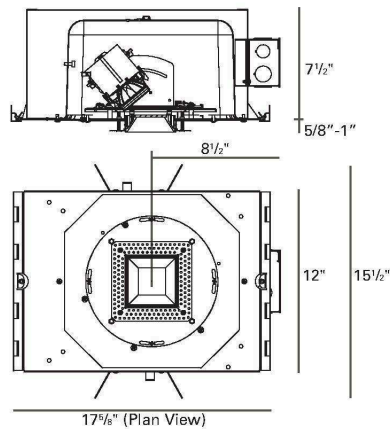


**HOUSING INFORMATION**

**New Construction Housing - NC1**



**IC / Airtight - IC  
Chicago Plenum - CP**



**SPECIFICATIONS**

**TRIM:** 3" square aperture with a 1" regressed bevel, retained by two mounting clips. Die cast aluminum bevel is available in white, statuary bronze, black, and metalized grey finishes. Also available in black anodized or clear matte anodized bevel. Custom colors available (provide RAL#).

**TRIM LENS:** 30° trim is shipped with integral solite lens. Frosted lens is available as an option.

**REFLECTOR:** Proprietary 30° high efficiency molded optic.

**ADJUSTMENT:** True hot aiming with center beam optics is adjustable, with a screw driver. 0°-40° lockable vertical tilt with toolless 362° lockable rotation.

**FIELD REPLACEABLE LIGHT ENGINE:** Available in 2 lumen packages: 12W (600 delivered lumens), 18W (775 delivered lumens). Engine is field replaceable through the aperture.

**COLOR:** BeveLED mini is available in 3 color temperatures with Warm Glow dimming. All color temperatures will dim down from initial CCT at 100% output to 2200K at minimum output. All color options are tightly binned for fixture-to-fixture color consistency within a 2-Step MacAdam Ellipse. 80+ color rendering index provided standard.

**RATED LIFE:** Based on IESNA LM80-2008 50,000 hours at 70% lumen maintenance (L70).

**THERMAL MANAGEMENT:** Proprietary high performance aluminum die cast heatsink for maximum LED life. Ambient temperatures at fixture location should not exceed 40°C during normal operation.

**FIELD REPLACEABLE DRIVER:** 0-10V, 100%-10% DIML2 dimming driver, with a high power factor provided standard and sources 2mA. Specify 120V or 277V. Driver complies with IEEE C62.41 surge protection.

**DIMMING OPTIONS:** Multiple dimming drivers available. See compatibility chart attached. Note: DIML6A and DIML6E logarithmic control are intended for use with Lutron control systems; DIML6B and DIML6F linear control are intended for use with non-Lutron controls. DIML6 dimming driver sources 2mA.

**EMERGENCY:** Emergency lighting battery pack with remote test switch requires above ceiling access for service. Bodine 17C provides 200mA for 90 minute. EMLW wet location option is available with B1 trim only and requires remote test switch. EM option is available with NC1 housings only.

**MOUNTING:** Butterfly brackets and adjustable nailer bars with integral nails provided. Nailer bars are extendible from 14" to 24" centers.

**HOUSING:** All-Ways Square<sup>®</sup> (covered by US Pat. No: US 7,832,889) housing allows alignment of square aperture (up to 20° rotation) after housing installation and prior to finish ceiling installation. Fabricated of 20 ga. galvanized steel with thru wire J-box, 4 in 4 out at min. 90°C, #12 AWG thru branch circuit wiring.

**MAXIMUM CEILING THICKNESS:** As per drawings above. Millwork for 1" max wood.

**ACCESSORY HOLDER:** Snap in accessory holder shipped with fixture. Accepts maximum of two accessories, size D.

**CEILING CUT OUT:** Millwork: 3-5/16" x 3-5/16"  
All others: 3-1/2" x 3-1/2"

**LISTINGS:** Dry/Damp. Wet location option available. NRTL/CSA-US tested to UL standards. IBEW union made.

**WARRANTY:** 5 years



**NOTES:**

- Not for use in corrosive environment.
- Use of pressure washer voids warranty.
- For interior use only.
- Not for use with acoustical ceilings.
- Trimless for drywall installation only.
- Millwork option for non-spackle installations.
- Consult factory for video capture applications.

**PHOTOMETRICS:** Consult factory or website for IES files. Tested in accordance with IESNA LM79-2008.



**DIMMING DRIVER COMPATIBILITY  
SELECTION GUIDE  
DIML2**

**DIMMING DRIVER WIRING SCHEMES:**

**NOTES:**

Wiring diagrams are examples of typical installations intended to illustrate the number of wires that must be run to fixture. These diagrams are not intended to specify all equipment necessary for a given dimming circuit. Refer to specific dimmer manufacturer's documentation for details.

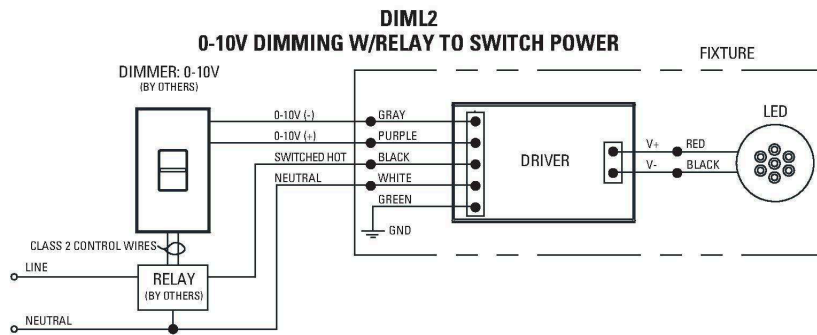
**IMPORTANT SAFETY INSTRUCTIONS  
- SAVE THESE INSTRUCTIONS**

1. Keep these instructions in a safe place for future reference.
2. Only qualified electricians in accordance to local codes should install these fixtures.
3. De-energize the electrical circuit at the circuit breaker prior to installation process or servicing.
4. Make sure all connections are in accordance with the National Electrical Code and any local regulations.
5. Cap any wires not used separately (not together).

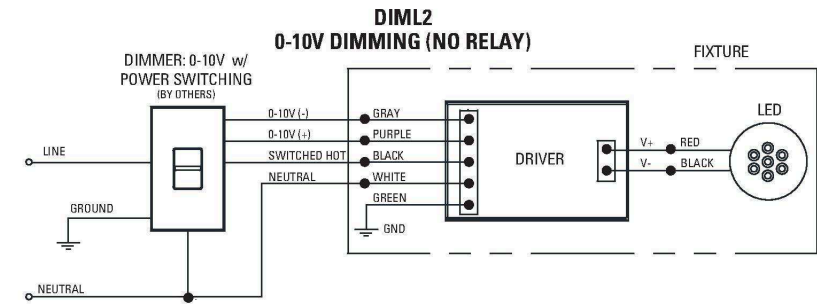
**DIML2 LED: 0-10V Dimming Driver Wiring (Dims down to 10%)**

DIML2 Dimmer Compatibility Chart				
Manufacturer	Product	Part Number	Dimmed Light Output Range	Qty Fixtures Per Dimmer*
<b>120V / 277V</b>				
Crestron	iLux dimmer expansion module	CLS-EXP-DIMFLV	100% - 10%	Use source current per fixture specification sheet to determine number of fixtures per dimmer. Max number of fixtures is limited by dimmer load rating.
Crestron	DIN Rail dimmer	DIN-4DIMFLV4	100% - 10%	
Crestron	DIN Rail analog output module	DIN-A08	100% - 10%	
Crestron	8 Channel dimmer module	GLX-DIMFLV8	100% - 10%	
Crestron	8 Channel dimmer module	GLXP-DIMFLV8	100% - 10%	
Leviton	IllumaTech dimmer	IP710-DLX	100% - 10%	
Lightolier (Philips)	Vega	V2000FAMU	100% - 10%	
Lutron	Diva	DVTV-XX	100% - 10%	

\* NOTE: Refer to dimmer manufacturer's documentation for installation instructions and circuit details.



**NOTE:**  
If switched, non-dimming operation is desired, cap off purple and gray wires individually at installation. Do NOT cap purple and gray wires together.



**NOTE:**  
If switched, non-dimming operation is desired, cap off purple and gray wires individually at installation. Do NOT cap purple and gray wires together.



## DIMMING DRIVER COMPATIBILITY SELECTION GUIDE DIML3

### DIMMING DRIVER WIRING SCHEMES:

**NOTES:**

Wiring diagrams are examples of typical installations intended to illustrate the number of wires that must be run to fixture. These diagrams are not intended to specify all equipment necessary for a given dimming circuit. Refer to specific dimmer manufacturer's documentation for details.

**IMPORTANT SAFETY INSTRUCTIONS  
- SAVE THESE INSTRUCTIONS**

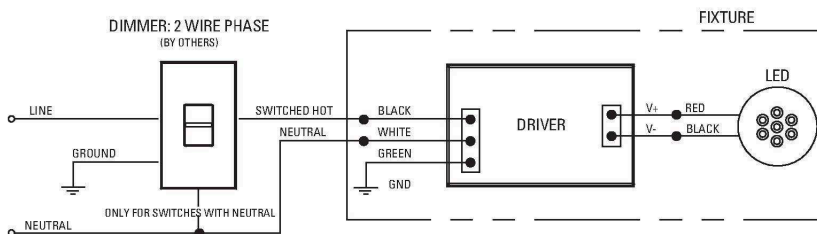
1. Keep these instructions in a safe place for future reference.
2. Only qualified electricians in accordance to local codes should install these fixtures.
3. De-energize the electrical circuit at the circuit breaker prior to installation process or servicing.
4. Make sure all connections are in accordance with the National Electrical Code and any local regulations.
5. Cap any wires not used separately (not together).

**DIML3 LED: Lutron Hi-Lume A-Series 2 Wire Fwd Phase (with neutral) / LED Dimming Driver Wiring (Dims down to 1%) 120V only.**

DIML3 Dimmer Compatibility Chart					
Manufacturer	Product	Part Number	Dimmed Light Output Range	Qty Fixtures Per Dimmer*	
				Fixture Wattage	
120V Only					
				39W and Less	40W - 80W
ETC	Sensor+ Cabinet	ELV10	100% - 1%	1 - 26	1 - 13
ETC	Unison DRD Cabinet	ELV10	100% - 1%	1 - 26	1 - 13
Lutron	Maestro Wireless® 600W dimmer	MRF2-6ND-120-	100% - 1%	1 - 8	1 - 4
Lutron	Maestro Wireless® 1000W dimmer	MRF2-10ND-120-	100% - 1%	1 - 13	1 - 6
Lutron	HomeWorks® QS adaptive dimmer	HQRD-6NA-	100% - 1%	1 - 8	1 - 4
Lutron	HomeWorks® QS 600W dimmer	HQRD-6ND-	100% - 1%	1 - 8	1 - 4
Lutron	HomeWorks® QS 1000 W dimmer	HQRD-10ND-	100% - 1%	1 - 13	1 - 6
Lutron	Caseta Wireless® Pro 1000W dimmer	PD-10NXD-	100% - 1%	1 - 13	1 - 6
Lutron	Stanza® dimmer	SZ-6ND-	100% - 1%	1 - 8	1 - 4
Lutron	RadioRA® 2 adaptive dimmer	RRD-6NA-	100% - 1%	1 - 8	1 - 4
Lutron	RadioRA® 2 1000 W dimmer	RRD-10ND-	100% - 1%	1 - 6	1 - 3
Lutron	myRoom DIN power module	MQSE-4A1-D	100% - 1%	1 - 6	1 - 3
Lutron	HomeWorks® QS wallbox power module	HQRJ-WPM-6D-120-	100% - 1%	1 - 26	1 - 13
Lutron	Homeworks® DIN power module	LQSE-4A1-D	100% - 1%	1 - 6	1 - 3
Lutron	HomeWorks® wallbox power module	HWI-WPM-6D-120	100% - 1%	1 - 26	1 - 13
Lutron	GRAFIK Eye® QS control unit	QSGR-, QSGRJ-	100% - 1%	1 - 26	1 - 13
Lutron	GRAFIK Eye® 3000 control unit	GRX-3100-, GRX-3500-	100% - 1%	1 - 26	1 - 13
Lutron	RPM-4U module	HW-RPM-4U-120, LP-RPM-4U-120	100% - 1%	1 - 26	1 - 13
Lutron	RPM-4A module	HW-RPM-4A-120, LP-RPM-4A-120	100% - 1%	1 - 26	1 - 13
Lutron	GP dimming panels	Various	100% - 1%	1 - 26	1 - 13
Lutron	Ariadni CL 250W dimmer	AYCL-253P-	100%-1%	1 - 8	1 - 4
Lutron	Diva CL 250W dimmer	DVCL-253P-, DVSCCL-253P-	100%-1%	1 - 8	1 - 4
Lutron	Grafik T CL or RFCL dimmer	GT-250M-, GTJ-250M-	100%-1%	1 - 8	1 - 4
Lutron	Nova T CL 250W dimmer	NTCL-250-	100%-1%	1 - 10	1 - 5

\* NOTE: Refer to dimmer manufacturer's documentation for installation instructions and circuit details.

### DIML3 2 WIRE PHASE DIMMING





**DIMMING DRIVER COMPATIBILITY  
SELECTION GUIDE  
DIML4**

**DIMMING DRIVER WIRING SCHEMES:**

**NOTES:**

Wiring diagrams are examples of typical installations intended to illustrate the number of wires that must be run to fixture. These diagrams are not intended to specify all equipment necessary for a given dimming circuit. Refer to specific dimmer manufacturer's documentation for details.

**IMPORTANT SAFETY INSTRUCTIONS**

**- SAVE THESE INSTRUCTIONS**

1. Keep these instructions in a safe place for future reference.
2. Only qualified electricians in accordance to local codes should install these fixtures.
3. De-energize the electrical circuit at the circuit breaker prior to installation process or servicing.
4. Make sure all connections are in accordance with the National Electrical Code and any local regulations.
5. Cap any wires not used separately (not together).

**DIML4 LED: Lutron Hi-Lume A-Series LED Driver with 3-Wire FL Control / LED Dimming Driver Wiring (Dims down to 1%)**

DIML4 3-Wire Dimmer Compatibility Chart					
Manufacturer	Product	Part Number	Dimmed Light Output Range	Qty Fixtures Per Control*	
				Fixture Wattage	
<b>120V Only</b>				39W and Less	40W - 80W
ETC	Sensor+ Cabinet	D20 Dimming module	100% - 1%	1-53	1-26
ETC	Unison DRd Cabinet	D20F Dimming module	100% - 1%	1-53	1-26
Lutron	Nova T	NTF-10-	100%-1%	1-41	1-20
Lutron	Nova T	NTF-103P-	100%-1%	1-20	1-10
Lutron	Nova	NF-10-	100%-1%	1-41	1-20
Lutron	Nova	NF-103P-	100%-1%	1-20	1-10
Lutron	Vareo	VF-10-	100%-1%	1-20	1-10
Lutron	Skylark	SF-10P-, SF-103P-	100%-1%	1-20	1-10
Lutron	Diva	DVF-103P-, DVSCF-103P-	100%-1%	1-20	1-10
Lutron	Ariadni	AYF-103P-	100%-1%	1-20	1-10
Lutron	Vierti	VTF-6A-	100%-1%	1-15	1-7
Lutron	Maestro	MAF-6AM-, MSCF-6AM-	100%-1%	1-15	1-7
Lutron	Maestro Wireless	MRF2-F6AN-DV-	100%-1%	1-15	1-7
Lutron	RadioRA 2	RRD-F6AN-DV-	100%-1%	1-15	1-7
Lutron	HomeWorks QS	HQRD-F6AN-DV	100%-1%	1-15	1-7
Lutron	Interfaces	PHPM-3F-120, PHPM-3F-DV	100%-1%	1-41	1-20
Lutron	GP Dimming Panels	Various	100%-1%	1-41	1-20
<b>277V Only</b>				40W and Less	41W - 80W
ETC	Sensor+ Cabinet	D20 Dimming module	100% - 1%	1-53	1-26
ETC	Unison DRd Cabinet	D20F Dimming module	100% - 1%	1-53	1-26
Lutron	Nova T	NTF-10-277-	100%-1%	1-44	1-22
Lutron	Nova T	NTF-103P-277-	100%-1%	1-33	1-16
Lutron	Nova	NF-10-277-	100%-1%	1-44	1-22
Lutron	Nova	NF-103P-277-	100%-1%	1-33	1-16
Lutron	Skylark	SF-12P-277-, SF-12P-277-3	100%-1%	1-33	1-16
Lutron	Diva	DVF-103P-277-, DVSCF-103P-277-	100%-1%	1-33	1-16
Lutron	Ariadni	AYF-103P-277-	100%-1%	1-44	1-22
Lutron	Vierti	VTF-6A-	100%-1%	1-33	1-16
Lutron	Maestro	MAF-6AM-277-, MSCF-6AM-277-	100%-1%	1-20	1-10
Lutron	Maestro Wireless	MRF2-F6AN-DV-	100%-1%	1-33	1-16
Lutron	RadioRA 2	RRD-F6AN-DV-	100%-1%	1-33	1-16
Lutron	HomeWorks QS	HQRD-F6AN-DV	100%-1%	1-33	1-16
Lutron	Interfaces	PHPM-3F-DV	100%-1%	1-88	1-44
Lutron	GP Dimming Panels	Various	100%-1%	1-88	1-44

\* NOTE: Number of fixtures may be higher if wattage is less than maximum values shown. Refer to dimmer manufacturer's documentation for installation instructions and circuit details.

**DIML4 wiring diagrams continued on next page**



## DIMMING DRIVER COMPATIBILITY SELECTION GUIDE

### DIML4 Continued

#### DIMMING DRIVER WIRING SCHEMES:

**NOTES:**

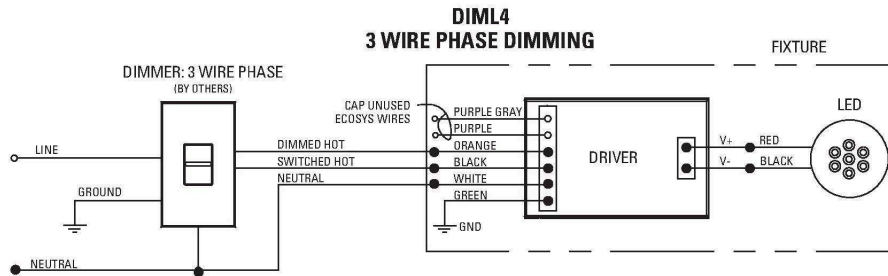
Wiring diagrams are examples of typical installations intended to illustrate the number of wires that must be run to fixture. These diagrams are not intended to specify all equipment necessary for a given dimming circuit. Refer to specific dimmer manufacturer's documentation for details.

**IMPORTANT SAFETY INSTRUCTIONS**

**- SAVE THESE INSTRUCTIONS**

1. Keep these instructions in a safe place for future reference.
2. Only qualified electricians in accordance with local codes should install these fixtures.
3. De-energize the electrical circuit at the circuit breaker prior to installation process or servicing.
4. Make sure all connections are in accordance with the National Electrical Code and any local regulations.
5. Cap any wires not used separately (not together).

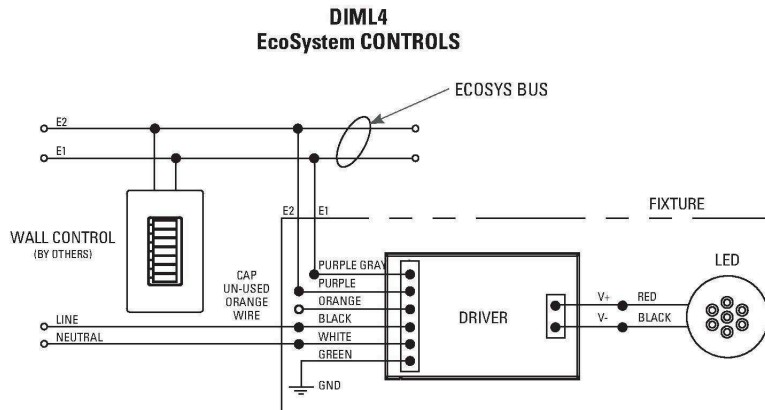
**DIML4 LED: Lutron Hi-Lume A-Series LED Driver with 3-Wire FL Control / LED Dimming Driver Wiring (Dims down to 1%)**



**DIML4 LED: Lutron Hi-Lume A-Series LED Driver with EcoSystem Control / LED Dimming Driver Wiring (Dims down to 1%)**

DIML4 EcoSystem Dimmer Compatibility Chart					
Manufacturer	Product	Part Number	Dimmed Light Output Range	Qty Fixtures Per Control*	
				Fixture Wattage	
<b>120V / 277V</b>					
Lutron	PowPak dimming module	RMJ-EC032-DV-B	100%–1%	39W and Less	40W - 80W
Lutron	Energi Savr Node	QSN-1ECO-S, QSN-2ECO-S	100%–1%	1-64	1-32
Lutron	GRAFIK Eye QS (120V ONLY)	QSGRJ- E, QSGR- E	100%–1%	1-64	1-32
Lutron	Quantum	Various	100%–1%	1-64	1-32

\* NOTE: Number of fixtures may be higher if wattage is less than maximum values shown. Refer to dimmer manufacturer's documentation for installation instructions and circuit details.





**DIMMING DRIVER COMPATIBILITY SELECTION GUIDE**

**DIML6A, 6E  
DIML6B, 6F**

**IMPORTANT SAFETY INSTRUCTIONS  
- SAVE THESE INSTRUCTIONS**

1. Keep these instructions in a safe place for future reference.
2. Only qualified electricians in accordance with local codes should install these fixtures.
3. De-energize the electrical circuit at the circuit breaker prior to installation process or servicing.
4. Make sure all connections are in accordance with the National Electrical Code and any local regulations.
5. Cap any wires not used separately (not together).

**DIML6A and DIML6E LED Dimming Compatibility Table**

DIML6A and DIML6E are linearly programmed dimming drivers for use with logarithmic-style dimming controls (e.g., Lutron and others listed in the table below)  
DIML6A = EldoLED SOLDrive 0-10V control dims from 100% to 0.1%  
DIML6E = EldoLED ECOdrive 0-10V control dims from 100% to 1%

Manufacturer	Product	Part Number	Dimmed Light Output Range	Qty Fixtures Per Dimmer*
<b>120V &amp; 277V</b>				
			DIML6A / E	Refer to manufacturer's
Lutron	Diva	DVTV/NFTV/NTFTV with PP-20	99% - 0.1% / 1%	dimmer load rating for maximum and minimum fixture quantities per dimmer.
Lutron	Energi Savr Node	QSN-4T16-S	100% - 0.1% / 1%	
Lutron	GP Dimming Panels	TVM2 Module	99% - 0.1% / 1%	
Lutron	Interfaces	GRX-TVI w/ GRX3503	100% - 0.1% / 1%	
Sensor Switch	nIO	nIO EZ	100% - 0.1% / 1%	

\* NOTE: Refer to dimmer manufacturer's documentation for installation instructions and circuit details.

**DIML6B and DIML6F LED Dimming Compatibility Table**

DIML6B and DIML6F are logarithmic-programmed dimming drivers for use with linear-style dimming controls (e.g., Crestron, non-Lutron and others listed in the table below)  
DIML6B = EldoLED SOLDrive 0-10V control dims from 100% to 0.1%  
DIML6F = EldoLED ECOdrive 0-10V control dims from 100% to 1%

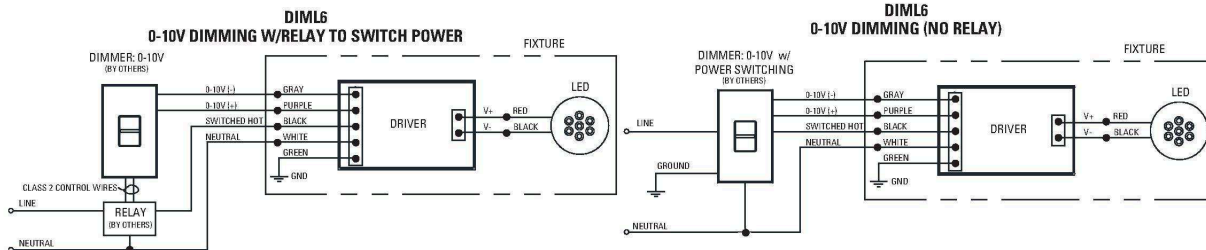
<b>DIML6B Dimmer Compatibility Chart</b>				
Manufacturer	Product	Part Number	Dimmed Light Output Range	Qty Fixtures Per Dimmer*
			DIML6B / F	Refer to
<b>120V &amp; 277V</b>				
Bush-Jaeger	Electronic potentiometer	2112U-101	100% - 0.1% / 1%	manufacturer's dimmer load rating for maximum and minimum fixture quantities per dimmer.
Jung	Electronic potentiometer	240-10	100% - 0.1% / 1%	
Leviton	IllumaTech dimmer	IP710-DLX	100% - 0.1% / 1%	
Lightolier (Philips)	Momentum (120V ONLY)	ZP600FAM120	100% - 0.1% / 1%	
Merten	Electronic potentiometer	5729	100% - 0.1% / 1%	
Pass & Seymour	Titan	CD4FB-W	100% - 0.1% / 1%	
Watt Stopper	Miro	DCLV1	100% - 0.1% / 1%	
Synergy	Wallbox Dimmers	ISD BC	100% - 0.1% / 1%	
ABB	i-bus	SD/S 2.16.1	100% - 0.1% / 1%	
Crestron	Modules	GLX-DIMFLV8, GLXP-DIMFLV8	100% - 0.1% / 1%	
Crestron	Green Light	GLPAC-DIMFLV4-, GLPAC-DIMFLV8-	100% - 0.1% / 1%	
Crestron	Green Light Power Pack	GLPP-DIMFLVEX-PM, GLPP-1DIMFLV2EX-PM, GLPP-1DIMFLV3EX-PM	100% - 0.1% / 1%	
Crestron	DIN Rail Analog Output Module	DIN-A08	100% - 0.1% / 1%	
Crestron	DIN Rail 0-10V Fluorescent Dimmer	DIN-4DIMFLV4	100% - 0.1% / 1%	
Crestron	iLux 0-10V Dimmer Expansion Module	CLS-EXP-DIMFLV	100% - 0.1% / 1%	

\* NOTE: Refer to dimmer manufacturer's documentation for installation instructions and circuit details.

**DIMMING DRIVER WIRING SCHEMES:**

**NOTES:**

Wiring diagrams are examples of typical installations intended to illustrate the number of wires that must be run to fixture. These diagrams are not intended to specify all equipment necessary for a given dimming circuit. Refer to specific dimmer manufacturer's documentation for details.





## DIMMING DRIVER COMPATIBILITY SELECTION GUIDE DIML7

### DIMMING DRIVER WIRING SCHEMES:

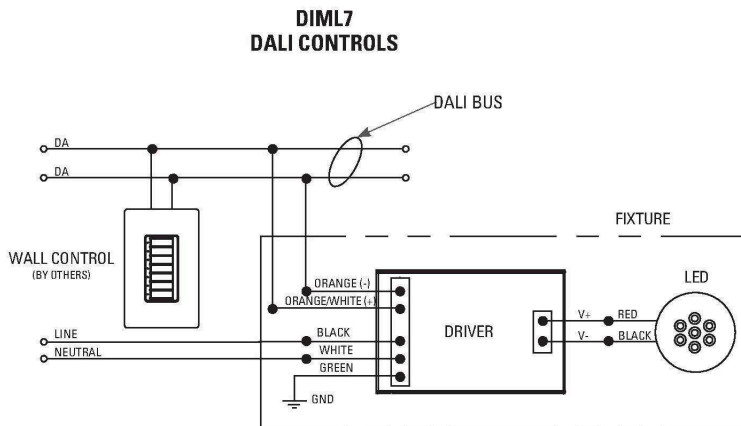
**NOTES:**

Wiring diagrams are examples of typical installations intended to illustrate the number of wires that must be run to fixture. These diagrams are not intended to specify all equipment necessary for a given dimming circuit. Refer to specific dimmer manufacturer's documentation for details.

**IMPORTANT SAFETY INSTRUCTIONS  
- SAVE THESE INSTRUCTIONS**

1. Keep these instructions in a safe place for future reference.
2. Only qualified electricians in accordance to local codes should install these fixtures.
3. De-energize the electrical circuit at the circuit breaker prior to installation process or servicing.
4. Make sure all connections are in accordance with the National Electrical Code and any local regulations.
5. Cap any wires not used separately (not together).

**DIML7 LED: EldoLED DALI Dimming Driver Wiring (Dims down to 0.1%)**



Recessed adjustable LED wall washer with 3" square trimless beveled lensed trim. Finish white

*Manufacturer:* USAI

*Fixture Line:* BeveLEDmini Trimless

*Fixture:* Wall Wash 2553

*Catalog #:* 2553-B1-10 LSLW3-6018-WGD1-2722KH-NC-120V-DIML3

*Mounting:* Recessed Ceiling

*Fixture Wattage:* 18w

*Fixture Voltage:* 120V

*Load Type:* FWD PHASE

*Lamp Spec:* Integral warm dimming LED, 2700K to 2200K, 900 lm, 90+ CRI, 24lm/w

*Lamp Voltage:* 120V

**Fixture Specification Notes**

- 1) Fixture is flangeless, for installation in sheetrock ceiling.
- 2) Verify ceiling thickness and finish with Architect prior to ordering.
- 3) Contractor to order housing/frame-in kit as required.
- 4) Verify fixture finish with Architect prior to ordering.
- 5) Furnish fixture with Lutron Hi-Lume 2-wire phase dimming driver.
- 6) Furnish fixture with 90+ CRI LED.



**BeveLED<sup>®</sup> mini Trimless**  
**WARM GLOW<sup>®</sup> DIMMING**



Covered By US Patent 8,456,109 and 8,581,520

**PROJECT INFORMATION**

PROJECT \_\_\_\_\_  
DATE \_\_\_\_\_  
TYPE \_\_\_\_\_

**WALL WASH 2553**



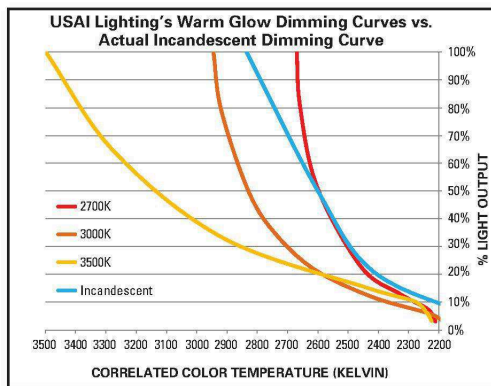
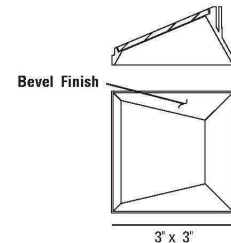
1" REGRESS

**BeveLED mini Warm Glow Dimming Trimless Recessed Wall Wash** - Gradually transitions from 2700K, 3000K or 3500K down to 2200K, creating intimacy while enhancing the mood and feeling of space.

**DELIVERED PERFORMANCE - Wall Wash**

Maximum Wattage	12Watts					18Watts				
	2700K		3000K		3500K	2700K		3000K		3500K
Maximum Color Temperature	2700K	3000K	3000K	3000K	3500K	2700K	3000K	3000K	3000K	3500K
Color Rendering Index	80+	90+	80+	90+	80+	80+	90+	80+	90+	80+
Lumens per Watt	35	28	38	30	42	31	24	33	27	36
Source Lumens	850	675	900	675	975	1125	900	1200	900	1275
Delivered Lumens	425	350	450	375	500	550	450	600	475	650
Color Consistency	2-Step MacAdam Ellipse									

Performance based on 3000K



**HOW TO SPECIFY**

**Ordering Example:** Specify trim code and housing code to order: Example : **2553W - B1 - 10 - LSLW3 - 6018 - WGD1 - 2722KS - NC1 - 277V - DIML2 - CB27**

**TRIM ORDERING INFORMATION**

TRIM OPTION	BEVEL STYLE	B1 BEVEL FINISH
2553		
2553 Square Trimless Wall Wash 1" Regress	B1 1" Regress Bevel, Painted Die Cast	10 White 13 Statuary Bronze 21 Black 28 Metalized Grey RAL Custom Color (specify RAL #)
	AB1 1" Regress Bevel, Black Anodized Finish AC1 1" Regress Bevel, Clear Matte Anodized Finish	(Leave blank for AB1 and AC1 Bevel Styles)

**HOUSING ORDERING INFORMATION**

HOUSING CODE	WATTAGE	ENGINE CODE	COLOR	HOUSING TYPE	VOLTAGE	DIMMING DRIVER OPTIONS	ACCESSORIES
LSLW3		WGD1					
LSLW3	6012 12W LED, 450 lumens 6018 18W LED, 600 lumens	WGD1	2722KS 2700K-2200K, 80+ CRI 3022KS 3000K-2200K, 80+ CRI 3522KS 3500K-2200K, 80+ CRI 2722KH 2700K-2200K, 90+ CRI 3022KH 3000K-2200K, 90+ CRI	NC1 New Construction CP Chicago Plenum 2 IC Insulation-Contact Rated / Airtight 2	120V 277V	DIML2 0-10V dim, 10% (provided standard) DIML3 Lutron Hi-Lume 1% 2-wire, 120V only DIML4 Lutron Hi-Lume 1% 3-wire/ECO DIML6A EldoLED 0-10V, 0.1%, logarithmic / Lutron controls DIML6B EldoLED 0-10V, 0.1%, linear controls DIML6E EldoLED 0-10V, 1%, logarithmic/Lutron controls DIML6F EldoLED 0-10V, 1%, linear controls DIML7 EldoLED DALI, 0.1%	CB27 27" C-Channel Bars CB52 52" C-Channel Bars EML Emergency battery 3 EMLW Emergency battery, wet location 3 MLXX Millwork Adapter XX=Specify Color (Millwork not wet listed)

**BeveLED<sup>®</sup> mini Trimless**

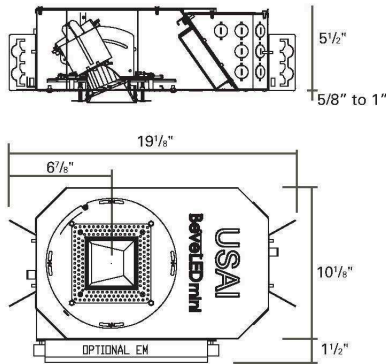
**WARM GLOW<sup>®</sup> DIMMING**

Covered By US Patents: 8,581,520 and 8,456,109

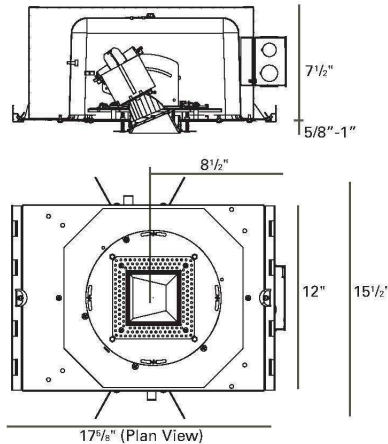
**HOUSING INFORMATION**



**New Construction Housing - NC1**



**IC / Airtight - IC  
Chicago Plenum - CP**



**SPECIFICATIONS**

**TRIM:** 3" square aperture with a 1" regressed bevel retained by two mounting clips. Die cast aluminum bevel is available in white, statuary bronze, black, and metalized grey finishes. Also available in black anodized or clear matte anodized bevel. Custom colors available (provide RAL#).

**TRIM LENS:** Micro diffusion wall wash lens.

**REFLECTOR:** Proprietary injection molded wall wash reflector.

**ADJUSTMENT:** 362° horizontal rotation, locking in 90° increments.

**FIELD REPLACEABLE LIGHT ENGINE:** Available in 2 lumen packages: 12W (450 delivered lumens), 18W (600 delivered lumens). Engine is field replaceable through the aperture.

**COLOR:** BeveLED mini is available in 3 color temperatures with Warm Glow dimming. All color temperatures will dim down from initial CCT at 100% output to 2200K at minimum output. All color options are tightly binned for fixture-to-fixture color consistency within a 2-Step MacAdam Ellipse. 80+ color rendering index provided standard.

**RATED LIFE:** Based on IESNA LM80-2008 50,000 hours at 70% lumen maintenance (L70).

**THERMAL MANAGEMENT:** Proprietary high performance aluminum die cast heatsink for maximum LED life. Ambient temperatures at fixture location should not exceed 40°C during normal operation.

**FIELD REPLACEABLE DRIVER:** 0-10V, 100%-10% DIML2 dimming driver, with a high power factor provided standard and sources 2mA. Specify 120V or 277V. Driver complies with IEEE C62.41 surge protection.

**DIMMING OPTIONS:** Multiple dimming drivers available. See compatibility chart attached. Note: DIML6A and DIML6E logarithmic control are intended for use with Lutron control systems; DIML6B and DIML6F linear control are intended for use with non-Lutron controls. DIML6 dimming driver sources 2mA.

**EMERGENCY:** Emergency lighting battery pack with remote test switch requires above ceiling access for service. Bodine 17C provides 200mA for 90 minutes. EMLW wet location option is available with B1 trim only and requires remote test switch. EM option is available with NC1 housings only.

**MOUNTING:** Butterfly brackets and adjustable nailer bars with integral nails provided. Nailer bars are extendible from 14" to 24" centers.

**HOUSING:** All-Ways Square® (covered by US Pat. No: US 7,832,889) housing allows alignment of square aperture (up to 20° rotation) after housing installation and prior to finish ceiling installation. Fabricated of 20 ga. galvanized steel with thru wire J-box, 4 in 4 out at min. 90°C, #12 AWG thru branch circuit wiring.

**MAXIMUM CEILING THICKNESS:** As per drawings above. Millwork option for 1" max wood.

**CEILING CUT OUT:** Millwork: 3-5/16" x 3-5/16"  
All others: 3-1/2" x 3-1/2"

**LISTINGS:** Dry/Damp. Wet location option available. NRTL/CSA-US tested to UL standards. IBEW union made.

**WARRANTY:** 5 years



**NOTES:**

- Not for use in corrosive environment.
- Use of pressure washer voids warranty.
- For interior use only.
- Not for use with acoustical ceilings.
- Trimless for drywall installation only.
- Millwork option for non-spackle installations.
- Consult factory for video capture applications.

**PHOTOMETRICS:** Consult factory or website for IES files. Tested in accordance with IESNA LM79-2008.



## DIMMING DRIVER COMPATIBILITY SELECTION GUIDE DIML2

### DIMMING DRIVER WIRING SCHEMES:

**NOTES:**

Wiring diagrams are examples of typical installations intended to illustrate the number of wires that must be run to fixture. These diagrams are not intended to specify all equipment necessary for a given dimming circuit. Refer to specific dimmer manufacturer's documentation for details.

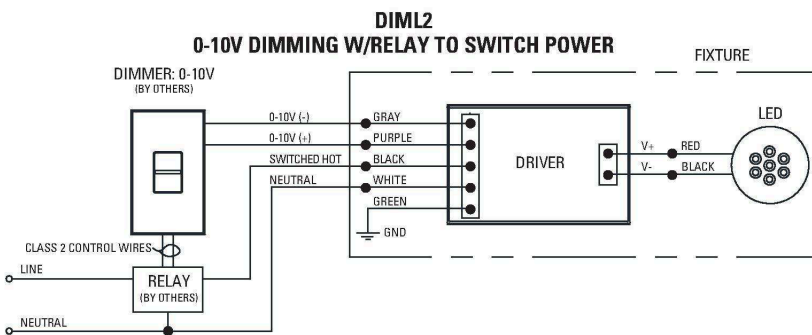
### IMPORTANT SAFETY INSTRUCTIONS - SAVE THESE INSTRUCTIONS

1. Keep these instructions in a safe place for future reference.
2. Only qualified electricians in accordance to local codes should install these fixtures.
3. De-energize the electrical circuit at the circuit breaker prior to installation process or servicing.
4. Make sure all connections are in accordance with the National Electrical Code and any local regulations.
5. Cap any wires not used separately (not together).

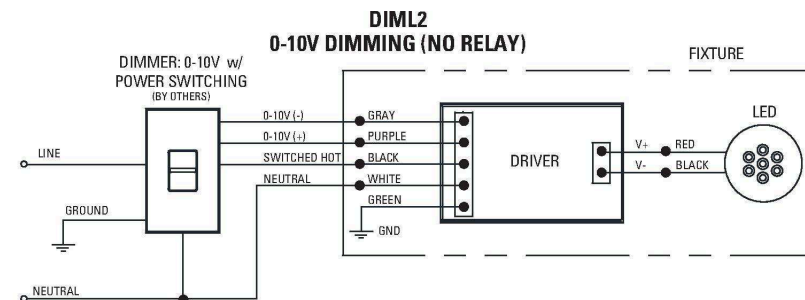
### DIML2 LED: 0-10V Dimming Driver Wiring (Dims down to 10%)

DIML2 Dimmer Compatibility Chart				
Manufacturer	Product	Part Number	Dimmed Light Output Range	Qty Fixtures Per Dimmer*
<b>120V / 277V</b>				
Crestron	iLux dimmer expansion module	CLS-EXP-DIMFLV	100% - 10%	Use source current per fixture specification sheet to determine number of fixtures per dimmer. Max number of fixtures is limited by dimmer load rating.
Crestron	DIN Rail dimmer	DIN-4DIMFLV4	100% - 10%	
Crestron	DIN Rail analog output module	DIN-A08	100% - 10%	
Crestron	8 Channel dimmer module	GLX-DIMFLV8	100% - 10%	
Crestron	8 Channel dimmer module	GLXP-DIMFLV8	100% - 10%	
Leviton	IllumaTech dimmer	IP710-DLX	100% - 10%	
Lightolier (Philips)	Vega	V2000FAMU	100% - 10%	
Lutron	Diva	DVTV-XX	100% - 10%	

\* NOTE: Refer to dimmer manufacturer's documentation for installation instructions and circuit details.



**NOTE:**  
If switched, non-dimming operation is desired, cap off purple and gray wires individually at installation. Do NOT cap purple and gray wires together.



**NOTE:**  
If switched, non-dimming operation is desired, cap off purple and gray wires individually at installation. Do NOT cap purple and gray wires together.



## DIMMING DRIVER COMPATIBILITY SELECTION GUIDE DIML3

### DIMMING DRIVER WIRING SCHEMES:

**NOTES:**

Wiring diagrams are examples of typical installations intended to illustrate the number of wires that must be run to fixture. These diagrams are not intended to specify all equipment necessary for a given dimming circuit. Refer to specific dimmer manufacturer's documentation for details.

**IMPORTANT SAFETY INSTRUCTIONS  
- SAVE THESE INSTRUCTIONS**

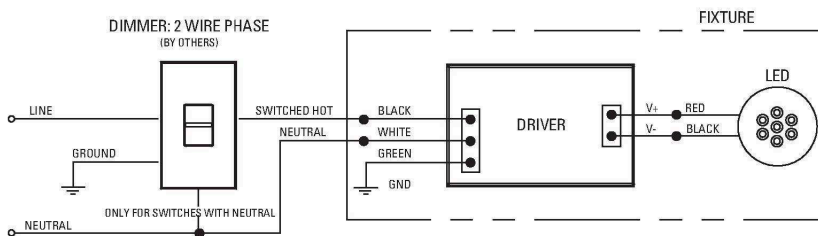
1. Keep these instructions in a safe place for future reference.
2. Only qualified electricians in accordance to local codes should install these fixtures.
3. De-energize the electrical circuit at the circuit breaker prior to installation process or servicing.
4. Make sure all connections are in accordance with the National Electrical Code and any local regulations.
5. Cap any wires not used separately (not together).

**DIML3 LED: Lutron Hi-Lume A-Series 2 Wire Fwd Phase (with neutral) / LED Dimming Driver Wiring (Dims down to 1%) 120V only.**

DIML3 Dimmer Compatibility Chart					
Manufacturer	Product	Part Number	Dimmed Light Output Range	Qty Fixtures Per Dimmer*	
				Fixture Wattage	
120V Only					
				39W and Less	40W - 80W
ETC	Sensor+ Cabinet	ELV10	100% - 1%	1 - 26	1 - 13
ETC	Unison DRD Cabinet	ELV10	100% - 1%	1 - 26	1 - 13
Lutron	Maestro Wireless® 600W dimmer	MRF2-6ND-120-	100% - 1%	1 - 8	1 - 4
Lutron	Maestro Wireless® 1000W dimmer	MRF2-10ND-120-	100% - 1%	1 - 13	1 - 6
Lutron	HomeWorks® QS adaptive dimmer	HQRD-6NA-	100% - 1%	1 - 8	1 - 4
Lutron	HomeWorks® QS 600W dimmer	HQRD-6ND-	100% - 1%	1 - 8	1 - 4
Lutron	HomeWorks® QS 1000 W dimmer	HQRD-10ND-	100% - 1%	1 - 13	1 - 6
Lutron	Caseta Wireless® Pro 1000W dimmer	PD-10NXD-	100% - 1%	1 - 13	1 - 6
Lutron	Stanza® dimmer	SZ-6ND-	100% - 1%	1 - 8	1 - 4
Lutron	RadioRA® 2 adaptive dimmer	RRD-6NA-	100% - 1%	1 - 8	1 - 4
Lutron	RadioRA® 2 1000 W dimmer	RRD-10ND-	100% - 1%	1 - 6	1 - 3
Lutron	myRoom DIN power module	MQSE-4A1-D	100% - 1%	1 - 6	1 - 3
Lutron	HomeWorks® QS wallbox power module	HQRJ-WPM-6D-120-	100% - 1%	1 - 26	1 - 13
Lutron	Homeworks® DIN power module	LQSE-4A1-D	100% - 1%	1 - 6	1 - 3
Lutron	HomeWorks® wallbox power module	HWI-WPM-6D-120	100% - 1%	1 - 26	1 - 13
Lutron	GRAFIK Eye® QS control unit	QSGR-, QSGRJ-	100% - 1%	1 - 26	1 - 13
Lutron	GRAFIK Eye® 3000 control unit	GRX-3100-, GRX-3500-	100% - 1%	1 - 26	1 - 13
Lutron	RPM-4U module	HW-RPM-4U-120, LP-RPM-4U-120	100% - 1%	1 - 26	1 - 13
Lutron	RPM-4A module	HW-RPM-4A-120, LP-RPM-4A-120	100% - 1%	1 - 26	1 - 13
Lutron	GP dimming panels	Various	100% - 1%	1 - 26	1 - 13
Lutron	Ariadni CL 250W dimmer	AYCL-253P-	100%-1%	1 - 8	1 - 4
Lutron	Diva CL 250W dimmer	DVCL-253P-, DVSCCL-253P-	100%-1%	1 - 8	1 - 4
Lutron	Grafik T CL or RFCL dimmer	GT-250M-, GTJ-250M-	100%-1%	1 - 8	1 - 4
Lutron	Nova T CL 250W dimmer	NTCL-250-	100%-1%	1 - 10	1 - 5

\* NOTE: Refer to dimmer manufacturer's documentation for installation instructions and circuit details.

**DIML3  
2 WIRE PHASE DIMMING**





**DIMMING DRIVER COMPATIBILITY  
SELECTION GUIDE  
DIML4**

**DIMMING DRIVER WIRING SCHEMES:**

**NOTES:**

Wiring diagrams are examples of typical installations intended to illustrate the number of wires that must be run to fixture. These diagrams are not intended to specify all equipment necessary for a given dimming circuit. Refer to specific dimmer manufacturer's documentation for details.

**IMPORTANT SAFETY INSTRUCTIONS**

**- SAVE THESE INSTRUCTIONS**

1. Keep these instructions in a safe place for future reference.
2. Only qualified electricians in accordance to local codes should install these fixtures.
3. De-energize the electrical circuit at the circuit breaker prior to installation process or servicing.
4. Make sure all connections are in accordance with the National Electrical Code and any local regulations.
5. Cap any wires not used separately (not together).

**DIML4 LED: Lutron Hi-Lume A-Series LED Driver with 3-Wire FL Control / LED Dimming Driver Wiring (Dims down to 1%)**

<b>DIML4 3-Wire Dimmer Compatibility Chart</b>					
Manufacturer	Product	Part Number	Dimmed Light Output Range	Qty Fixtures Per Control*	
				Fixture Wattage	
<b>120V Only</b>				39W and Less	40W - 80W
ETC	Sensor+ Cabinet	D20 Dimming module	100% - 1%	1-53	1-26
ETC	Unison DRd Cabinet	D20F Dimming module	100% - 1%	1-53	1-26
Lutron	Nova T	NTF-10-	100%-1%	1-41	1-20
Lutron	Nova T	NTF-103P-	100%-1%	1-20	1-10
Lutron	Nova	NF-10-	100%-1%	1-41	1-20
Lutron	Nova	NF-103P-	100%-1%	1-20	1-10
Lutron	Vareo	VF-10-	100%-1%	1-20	1-10
Lutron	Skylark	SF-10P-, SF-103P-	100%-1%	1-20	1-10
Lutron	Diva	DVF-103P-, DVSCF-103P-	100%-1%	1-20	1-10
Lutron	Ariadni	AYF-103P-	100%-1%	1-20	1-10
Lutron	Vierti	VTF-6A-	100%-1%	1-15	1-7
Lutron	Maestro	MAF-6AM-, MSCF-6AM-	100%-1%	1-15	1-7
Lutron	Maestro Wireless	MRF2-F6AN-DV-	100%-1%	1-15	1-7
Lutron	RadioRA 2	RRD-F6AN-DV-	100%-1%	1-15	1-7
Lutron	HomeWorks QS	HQRD-F6AN-DV	100%-1%	1-15	1-7
Lutron	Interfaces	PHPM-3F-120, PHPM-3F-DV	100%-1%	1-41	1-20
Lutron	GP Dimming Panels	Various	100%-1%	1-41	1-20
<b>277V Only</b>				40W and Less	41W - 80W
ETC	Sensor+ Cabinet	D20 Dimming module	100% - 1%	1-53	1-26
ETC	Unison DRd Cabinet	D20F Dimming module	100% - 1%	1-53	1-26
Lutron	Nova T	NTF-10-277-	100%-1%	1-44	1-22
Lutron	Nova T	NTF-103P-277-	100%-1%	1-33	1-16
Lutron	Nova	NF-10-277-	100%-1%	1-44	1-22
Lutron	Nova	NF-103P-277-	100%-1%	1-33	1-16
Lutron	Skylark	SF-12P-277-, SF-12P-277-3	100%-1%	1-33	1-16
Lutron	Diva	DVF-103P-277-, DVSCF-103P-277-	100%-1%	1-33	1-16
Lutron	Ariadni	AYF-103P-277-	100%-1%	1-44	1-22
Lutron	Vierti	VTF-6A-	100%-1%	1-33	1-16
Lutron	Maestro	MAF-6AM-277-, MSCF-6AM-277-	100%-1%	1-20	1-10
Lutron	Maestro Wireless	MRF2-F6AN-DV-	100%-1%	1-33	1-16
Lutron	RadioRA 2	RRD-F6AN-DV-	100%-1%	1-33	1-16
Lutron	HomeWorks QS	HQRD-F6AN-DV	100%-1%	1-33	1-16
Lutron	Interfaces	PHPM-3F-DV	100%-1%	1-88	1-44
Lutron	GP Dimming Panels	Various	100%-1%	1-88	1-44

\* NOTE: Number of fixtures may be higher if wattage is less than maximum values shown. Refer to dimmer manufacturer's documentation for installation instructions and circuit details.

**DIML4 wiring diagrams continued on next page**



## DIMMING DRIVER COMPATIBILITY SELECTION GUIDE

### DIML4 Continued

#### DIMMING DRIVER WIRING SCHEMES:

**NOTES:**

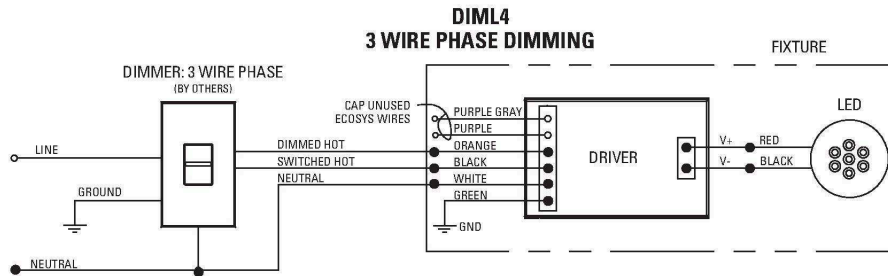
Wiring diagrams are examples of typical installations intended to illustrate the number of wires that must be run to fixture. These diagrams are not intended to specify all equipment necessary for a given dimming circuit. Refer to specific dimmer manufacturer's documentation for details.

**IMPORTANT SAFETY INSTRUCTIONS**

**- SAVE THESE INSTRUCTIONS**

1. Keep these instructions in a safe place for future reference.
2. Only qualified electricians in accordance with local codes should install these fixtures.
3. De-energize the electrical circuit at the circuit breaker prior to installation process or servicing.
4. Make sure all connections are in accordance with the National Electrical Code and any local regulations.
5. Cap any wires not used separately (not together).

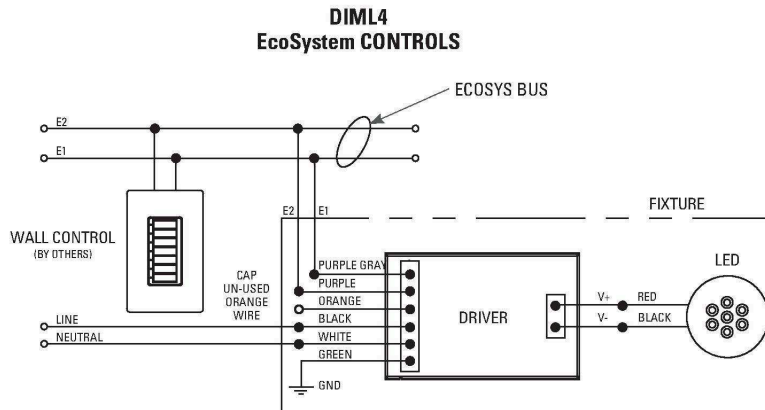
**DIML4 LED: Lutron Hi-Lume A-Series LED Driver with 3-Wire FL Control / LED Dimming Driver Wiring (Dims down to 1%)**



**DIML4 LED: Lutron Hi-Lume A-Series LED Driver with EcoSystem Control / LED Dimming Driver Wiring (Dims down to 1%)**

DIML4 EcoSystem Dimmer Compatibility Chart					
Manufacturer	Product	Part Number	Dimmed Light Output Range	Qty Fixtures Per Control*	
				Fixture Wattage	
<b>120V / 277V</b>					
Lutron	PowPak dimming module	RMJ-EC032-DV-B	100%–1%	39W and Less	40W - 80W
Lutron	Energi Savr Node	QSN-1ECO-S, QSN-2ECO-S	100%–1%	1-64	1-32
Lutron	GRAFIK Eye QS (120V ONLY)	QSGRJ- E, QSGR- E	100%–1%	1-64	1-32
Lutron	Quantum	Various	100%–1%	1-64	1-32

\* NOTE: Number of fixtures may be higher if wattage is less than maximum values shown. Refer to dimmer manufacturer's documentation for installation instructions and circuit details.





**DIMMING DRIVER COMPATIBILITY SELECTION GUIDE**

**DIML6A, 6E  
DIML6B, 6F**

**IMPORTANT SAFETY INSTRUCTIONS  
- SAVE THESE INSTRUCTIONS**

1. Keep these instructions in a safe place for future reference.
2. Only qualified electricians in accordance with local codes should install these fixtures.
3. De-energize the electrical circuit at the circuit breaker prior to installation process or servicing.
4. Make sure all connections are in accordance with the National Electrical Code and any local regulations.
5. Cap any wires not used separately (not together).

**DIML6A and DIML6E LED Dimming Compatibility Table**

DIML6A and DIML6E are linearly programmed dimming drivers for use with logarithmic-style dimming controls (e.g., Lutron and others listed in the table below)  
DIML6A = EldoLED SOLDrive 0-10V control dims from 100% to 0.1%  
DIML6E = EldoLED ECOdrive 0-10V control dims from 100% to 1%

Manufacturer	Product	Part Number	Dimmed Light Output Range	Qty Fixtures Per Dimmer*
<b>120V &amp; 277V</b>			<b>DIML6A / E</b>	
Lutron	Diva	DVTV/NFTV/NTFTV with PP-20	99% - 0.1% / 1%	Refer to manufacturer's dimmer load rating for maximum and minimum fixture quantities per dimmer.
Lutron	Energi Savr Node	QSN-4T16-S	100% - 0.1% / 1%	
Lutron	GP Dimming Panels	TVM2 Module	99% - 0.1% / 1%	
Lutron	Interfaces	GRX-TVI w/ GRX3503	100% - 0.1% / 1%	
Sensor Switch	nIO	nIO EZ	100% - 0.1% / 1%	

\* NOTE: Refer to dimmer manufacturer's documentation for installation instructions and circuit details.

**DIML6B and DIML6F LED Dimming Compatibility Table**

DIML6B and DIML6F are logarithmic-programmed dimming drivers for use with linear-style dimming controls (e.g., Crestron, non-Lutron and others listed in the table below)  
DIML6B = EldoLED SOLDrive 0-10V control dims from 100% to 0.1%  
DIML6F = EldoLED ECOdrive 0-10V control dims from 100% to 1%

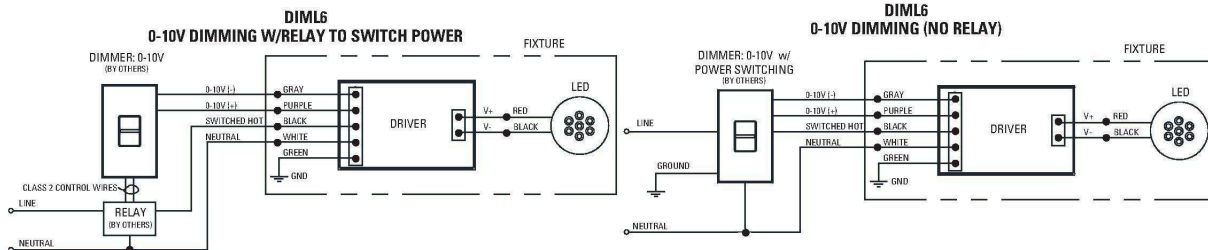
<b>DIML6B Dimmer Compatibility Chart</b>				
Manufacturer	Product	Part Number	Dimmed Light Output Range	Qty Fixtures Per Dimmer*
<b>120V &amp; 277V</b>			<b>DIML6B / F</b>	
Bush-Jaeger	Electronic potentiometer	2112U-101	100% - 0.1% / 1%	Refer to manufacturer's dimmer load rating for maximum and minimum fixture quantities per dimmer.
Jung	Electronic potentiometer	240-10	100% - 0.1% / 1%	
Leviton	IllumaTech dimmer	IP710-DLX	100% - 0.1% / 1%	
Lightolier (Philips)	Momentum (120V ONLY)	ZP600FAM120	100% - 0.1% / 1%	
Merten	Electronic potentiometer	5729	100% - 0.1% / 1%	
Pass & Seymour	Titan	CD4FB-W	100% - 0.1% / 1%	
Watt Stopper	Miro	DCLV1	100% - 0.1% / 1%	
Synergy	Wallbox Dimmers	ISD BC	100% - 0.1% / 1%	
ABB	i-bus	SD/S 2.16.1	100% - 0.1% / 1%	
Crestron	Modules	GLX-DIMFLV8, GLXP-DIMFLV8	100% - 0.1% / 1%	
Crestron	Green Light	GLPAC-DIMFLV4-, GLPAC-DIMFLV8-	100% - 0.1% / 1%	
Crestron	Green Light Power Pack	GLPP-DIMFLVEX-PM, GLPP-1DIMFLV2EX-PM, GLPP-1DIMFLV3EX-PM	100% - 0.1% / 1%	
Crestron	DIN Rail Analog Output Module	DIN-A08	100% - 0.1% / 1%	
Crestron	DIN Rail 0-10V Fluorescent Dimmer	DIN-4DIMFLV4	100% - 0.1% / 1%	
Crestron	iLux 0-10V Dimmer Expansion Module	CLS-EXP-DIMFLV	100% - 0.1% / 1%	

\* NOTE: Refer to dimmer manufacturer's documentation for installation instructions and circuit details.

**DIMMING DRIVER WIRING SCHEMES:**

**NOTES:**

Wiring diagrams are examples of typical installations intended to illustrate the number of wires that must be run to fixture. These diagrams are not intended to specify all equipment necessary for a given dimming circuit. Refer to specific dimmer manufacturer's documentation for details.





## DIMMING DRIVER COMPATIBILITY SELECTION GUIDE DIML7

### DIMMING DRIVER WIRING SCHEMES:

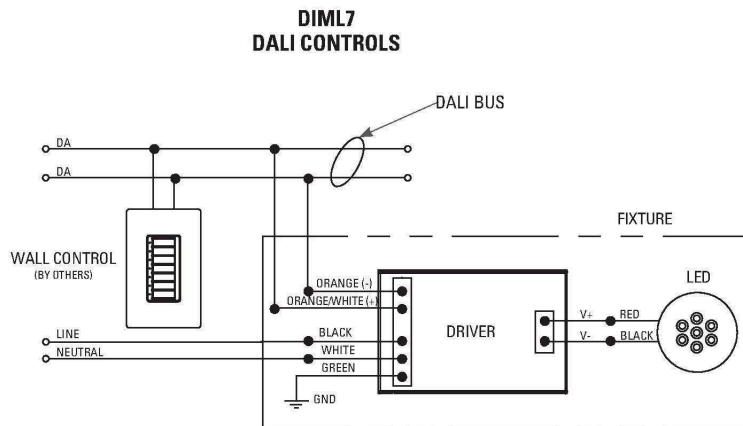
**NOTES:**

Wiring diagrams are examples of typical installations intended to illustrate the number of wires that must be run to fixture. These diagrams are not intended to specify all equipment necessary for a given dimming circuit. Refer to specific dimmer manufacturer's documentation for details.

**IMPORTANT SAFETY INSTRUCTIONS  
- SAVE THESE INSTRUCTIONS**

1. Keep these instructions in a safe place for future reference.
2. Only qualified electricians in accordance to local codes should install these fixtures.
3. De-energize the electrical circuit at the circuit breaker prior to installation process or servicing.
4. Make sure all connections are in accordance with the National Electrical Code and any local regulations.
5. Cap any wires not used separately (not together).

**DIML7 LED: EldoLED DALI Dimming Driver Wiring (Dims down to 0.1%)**



Recessed adjustable LED wall washer with 3" square trimless beveled lensed trim and low profile housing. Finish white

*Manufacturer:* USAI

*Fixture Line:* BeveLEDmini Trimless

*Fixture:* BabyLED Wall Wash

*Catalog #:* B3SWP-20M2-27KH-WH-FT-120V-D19-CM27

*Mounting:* Recessed Ceiling

*Fixture Wattage:* 20w

*Fixture Voltage:* 120V

*Load Type:* FWD PHASE

*Lamp Spec:* Integral 2700K LED, 900 lm, 90+  
CRI, 45lm/w

*Lamp Voltage:* 120V

**Fixture Specification Notes**

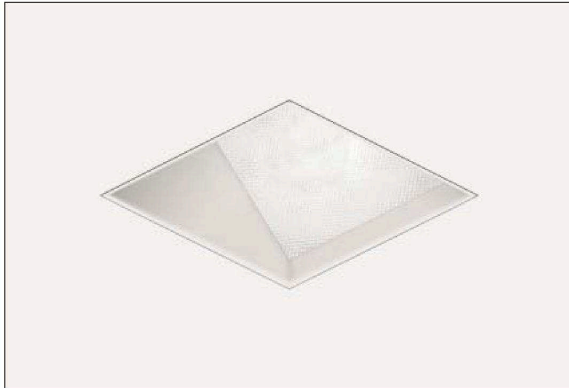
- 1) Fixture is flangeless, for installation in sheetrock ceiling.
- 2) Verify ceiling thickness and finish with Architect prior to ordering.
- 3) Contractor to order housing/frame-in kit as required.
- 4) Verify fixture finish with Architect prior to ordering.



## BabyLED® Wall Wash - B3SWP 3" Square Trimless



**BabyLED Wall Wash - 3" Square With Plaster Frame Trim**



**BabyLED Shallow Fit Housing for Use with BeveLED Mini**



Good things come in small packages. BeveLED mini is the smallest member of the BeveLED family with an aperture of only 3", and is now available with more BeveLED trim finishes, innovative housings, and dimming driver options than ever before. Specify the FT housing option to get BabyLED, with the industry's shortest housing at only 3" overall height for a shallow plenum fit. Plenty of long-lasting light output and an optional field-paintable primer finish make BabyLED perfect for residential, hospitality, and corporate projects.

### FEATURES

- Iconic beveled trim style provides a discrete aesthetic with classic glare-free illumination
- Factory painted finishes in white, black, bronze, and metallic grey, with standard anodized options of clear matte and black gloss. Field-paintable primer finish and custom RAL colors available as well
- Plaster frame trims are compatible with sheetrock mud-in ceiling applications up to 1" thick.
- Industry leading illumination and craftsmanship
- FTIC ultra shallow low profile housing for easy installation is IC-rated for light engines 14W and less

### BABYLED WALL WASH PERFORMANCE DATA

DELIVERED* PERFORMANCE:	Classic White	
	14W	20W
SOURCE LUMENS:	1100	1500
LUMENS PER WATT:	52	45
DELIVERED LUMENS:	725	950

\*Performance data based on 3000K, 80+ CRI,

CORRELATED COLOR TEMPERATURE	Classic White						EM MODE
	2700K	3000K	3500K	4000K			
COLOR RENDERING INDEX:	80+	90+	80+	90+	80+	80+	
MULTIPLIER FOR LUMEN OUTPUT:	1.00	0.73	1.00	0.80	1.15	1.07	0.62

**HOW TO SPECIFY**

**BabyLED® Wall Wash - B3SWP**  
**3" Square Trimless**



Specify fixture part number. All boxes must be filled in to correctly order.

B3SWP							
BabyLED	Wattage Options	LED Color Temperature Options	Bevel Finish Options	Housing Options	Voltage Options <i>Select one</i>	Dimming Driver Options	Accessories (Optional)
<b>B3SWP</b> BabyLED 3" Square Wall Wash Plaster Frame	<b>Classic White</b>		<b>WH</b> White  <b>GR</b> Grey  <b>BL</b> Black  <b>BZ</b> Bronze  <b>AB</b> Anodized Black Gloss  <b>AC</b> Anodized Clear Matte  <b>PR</b> Primer Finish  <b>RAL</b> Custom Color Specify RAL #	<b>FT</b> Flat Housing  <b>FTIC</b> Flat Housing, IC-rated (up to 14W maximum)	<b>INTEGRAL DIMMING</b>		<b>CM27</b> 27" C-Channel Bars  <b>CM52</b> 52" C-Channel Bars  <b>SB</b> Standby Battery available with remote dimming drivers only; not available with 347V
	<b>14M2</b> 14W LED  <b>20M2</b> 20W LED	<b>27KS</b> 2700K, 80+ CRI  <b>30KS</b> 3000K, 80+ CRI  <b>35KS</b> 3500K, 80+ CRI  <b>40KS</b> 4000K, 80+ CRI  <b>27KH</b> 2700K, 90+ CRI  <b>30KH</b> 3000K, 90+ CRI			<b>UNV</b> 120V-277V   <b>120V</b>	<b>For use with Universal Voltage 120V - 277V</b> <b>D2</b> 0-10V dim, 10% (provided standard)  <b>D19</b> Phase dimming 1%, 120V only	
					<b>REMOTE LOCATION</b>		
	<b>UNV</b> 120V-277V   <b>120V</b>   <b>347V</b>	<b>R2</b> 0-10V dim, 10%  <b>R4</b> Lutron Hi-Lume 1% 3-wire/ECO  <b>R6A</b> EldoLED 0-10V, 0.1%, logarithmic/Lutron controls  <b>R6B</b> EldoLED 0-10V, 0.1%, linear controls  <b>R6E</b> EldoLED 0-10V, 1%, logarithmic/Lutron controls  <b>R6F</b> EldoLED 0-10V, 1%, linear controls  <b>R7</b> EldoLED DALI, 0.1%  <b>R8</b> EldoLED DMX, 0.1%  <b>For use with 120V only</b> <b>R3</b> Lutron Hi-Lume 1% 2-wire, 120V only  <b>R19</b> Phase dimming 1%, 120V only  <b>For use with 347V only</b> <b>R15</b> 0-10V dim, 1% 347V only					

**BABYLED SPECIFICATIONS**

**FIELD REPLACEABLE LED LIGHT ENGINE**  
is serviceable through the aperture with a Philips screwdriver. All USAI Lighting Classic White light engines feature industry-leading color consistency.

**FIELD REPLACEABLE DRIVER**  
Integral D2 dimming driver provided standard and sources 2mA. D2 and D19 dimming drivers are located within FT housing and are serviceable from below the ceiling through the aperture. All remote dimming driver options require enclosures by others and must be located in an accessible service panel within 100 ft of the light fixture. All dimming drivers comply with IEEE C62.41 surge protection.

**EMERGENCY**  
Standby battery backup requires an enclosure by others and must be located in an accessible service panel within 50 ft of the remotely located dimming driver. IOTA ILB-CP07 provides backup power (200mA) to one fixture for 90 minutes. Standby battery is not available with integral dimming driver options or 347V.

**FIXTURE WEIGHT**  
FT and FTIC housings weigh 4 lbs.

**HOUSING**  
All-Ways Square® (covered by US Pat. No: US 7,832,889) housing allows alignment of square aperture (up to 20° rotation) after housing installation and prior to finish ceiling installation. Fabricated of 20 ga. steel construction with thru wire J-box, 4 in 4 out at min. 90°C, #12 AWG thru branch circuit wiring. FTIC housing is rated for direct contact with insulation up to R30 or less with light engines 14W and lower.

**MOUNTING**  
BabyLED trimless fixtures are provided with a spackle frame and are designed for use in sheetrock mud-in ceiling applications up to 1" thick maximum. Butterfly brackets and adjustable nailer bars extendible from 14" to 24" centers with integral nails are provided for attachment to building structure. Reduced height C-channel bars are optionally available.

**WARRANTY**  
Based on IESNA LM80-2008, BabyLED has a 50,000 hour rated life at 70% lumen maintenance (L70). USAI Lighting Warranty covers replacement parts for 5 years from date of shipment.

**CEILING CUT OUT**  
3-1/2" X 3-1/2"

**LISTINGS**  
Dry/Damp/Wet location. UL2043 rated for use in air handling plenums. NRTL/CSA-US tested to UL standards. IBEW union made.



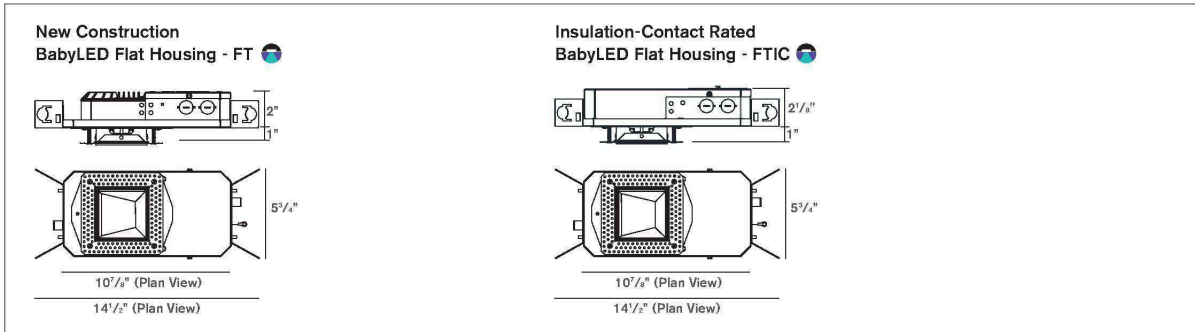
**NOTES**  
• Not for use in corrosive environment  
• Use of pressure washer voids warranty  
• Not for use in acoustical ceiling tile.

**PHOTOMETRICS**  
Consult factory or website for IES files. Tested in accordance with IESNA LM79.



**BabyLED® Wall Wash - B3SWP**  
**3" Square Trimless**

**HOUSING OPTIONS**



**REMOTE DRIVER OPTIONS**

All remote dimming driver options shown below require enclosures by others and must be located in an accessible service panel within 100 ft of the light fixture. The standby battery backup option also requires an enclosure by others and must be located in an accessible service panel within 50 ft of the remotely located dimming driver. Sizes of component provided by USAI are shown below for coordination purposes, additional equipment by others is required for complete installation.

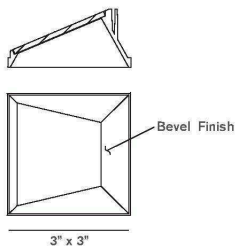
**R2                  R3, R4                  R6                  R7                  R8                  R15                  R19**

Largest remote driver size is 3"W x 5.2"L x 1.2"H.  
Enclosure size (by others) must be coordinated appropriately.  
Location must be within 100 ft of light fixture.

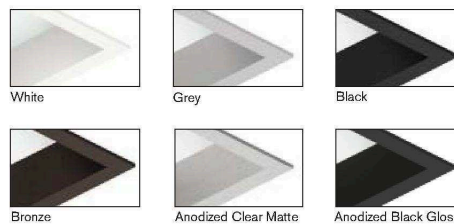
**SB**

Remote standby battery size is 13"L x 2.2"W x 1.25"H.  
Enclosure size (by others) must be coordinated appropriately.  
Location must be within 50 ft of dimming driver.

**TRIM DETAILS**



**TRIM FINISH OPTIONS**



Primer finish and custom colors also available



**DIMMING DRIVER COMPATIBILITY  
SELECTION GUIDE  
D19 / DIML19**

**DIMMING DRIVER WIRING SCHEMES:**

**NOTES:**

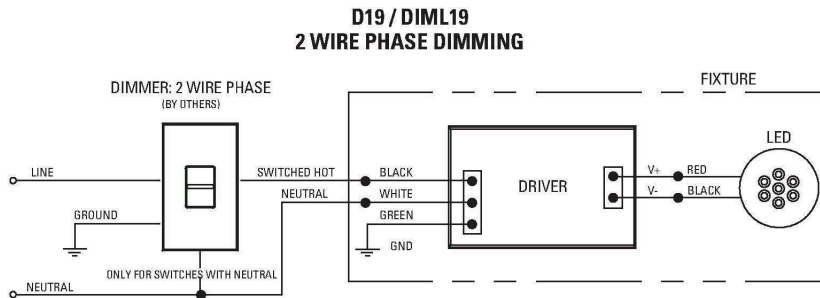
Wiring diagrams are examples of typical installations intended to illustrate the number of wires that must be run to fixture. These diagrams are not intended to specify all equipment necessary for a given dimming circuit. Refer to specific dimmer manufacturer's documentation for details.

**IMPORTANT SAFETY INSTRUCTIONS**

**- SAVE THESE INSTRUCTIONS**

1. Keep these instructions in a safe place for future reference.
2. Only qualified electricians in accordance to local codes should install these fixtures.
3. De-energize the electrical circuit at the circuit breaker prior to installation process or servicing.
4. Make sure all connections are in accordance with the National Electrical Code and any local regulations.
5. Cap any wires not used separately (not together).

**D19 / DIML19 LED:** Hatch XTC series or equivalent - Forward and Reverse Phase Dimming Driver.  
**Dims down to 1% contingent upon dimmer specification and load. 120V only.**



**D19 / DIML19 Dimmer Compatibility Chart**

<b>120V ONLY</b>		
<b>Forward Phase / TRIAC Dimming</b>		
Manufacturer	Product	Qty Fixtures Per Dimmer
Leviton	IPL06-10Z	Use fixture wattage per fixture specification sheet to determine number of fixtures per dimmer. Max number of fixtures is limited by dimmer load rating.
	6613-xxx	
Lutron	S-600P	Use fixture wattage per fixture specification sheet to determine number of fixtures per dimmer. Max number of fixtures is limited by dimmer load rating.
	S-603P	
	DV-600P	
	DV-603P	
	DVSC-603P	
	CT-600P	
	CT-603P	

<b>120V ONLY</b>		
<b>Reverse Phase / ELV Dimming</b>		
Manufacturer	Product	Qty Fixtures Per Dimmer
Leviton	6615	Use fixture wattage per fixture specification sheet to determine number of fixtures per dimmer. Max number of fixtures is limited by dimmer load rating.
	IPE04-xxx	
Lutron	NTELV-300	Use fixture wattage per fixture specification sheet to determine number of fixtures per dimmer. Max number of fixtures is limited by dimmer load rating.
	NTELV-600	
	SELV-300P	
	SELV-303P	
	DVELV-300P	
	DVELV-303P	

Recessed 4.5" square flangeless, bevel, lensed downlight.

*Manufacturer:* USAI

*Fixture Line:* BeveLED Basic Trimless

*Fixture:* 4" Square LED Downlight 1" Regress

*Catalog #:* 1011-B1-10 LSLD4-9014-M2-27KS-50-NCSM1-120V-DIML2

*Mounting:* Recessed

*Fixture Wattage:* 14w

*Fixture Voltage:* 120VAC

*Load Type:* 0-10V

*Lamp Spec:* Integral 2700K LED, 1100lm,  
68lm/w. Furnish fixture with 90  
+CRI LED.

*Lamp Voltage:* 120

**Fixture Specification Notes**

1) Verify ceiling thickness and finish with Architect  
prior to ordering.



**BeveLED<sup>®</sup> BASIC Trimless**



**PROJECT INFORMATION**

PROJECT \_\_\_\_\_  
DATE \_\_\_\_\_  
TYPE \_\_\_\_\_

**DOWNLIGHT 1011**



1" REGRESS

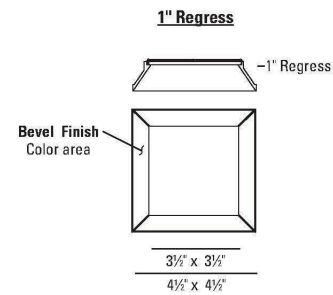
**BeveLED Basic Recessed Downlight** - Our narrow footprint housing provides an economical architectural solution while delivering high performance with LEDs.

**DELIVERED PERFORMANCE**

BeveLED Basic DOWNLIGHT	14 Watts	20 Watts
Color Rendering Index	80+ CRI	80+ CRI
Lumens per Watt	68	60
Source Lumens	1100	1500
<b>Delivered Lumens</b>	<b>1000</b>	<b>1300</b>
Color Consistency	2-Step MacAdam Ellipse	

Performance based on 3000K

CCT MULTIPLIER	2700K	3000K	3500K
Color Rendering Index	80+ CRI	80+ CRI	80+ CRI
R9 Value	10	10	10
Multiplier for Lumen Output	1.00	1.00	1.08

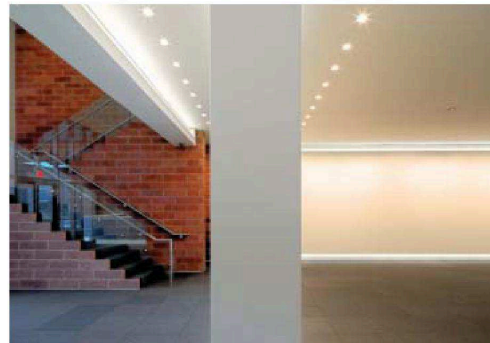


**HOW TO SPECIFY**

**Ordering Example:** Specify trim code and housing code to order: Example : **1011W - B1 - 10 - LSLD4 - 9014 - M2 - 27KS - 30 - NCSM - 277V - DIML2 - CB27**

**TRIM ORDERING INFORMATION**

TRIM	OPTION	BEVEL STYLE	BEVEL FINISH
1011	_____	B1	_____
1011 Square Trimless Downlight 1" Regress	<b>W</b> Wet location <sup>1</sup> <b>EML</b> Emergency <sup>2</sup> <b>EMLW</b> Emergency and wet location <sup>1,2</sup>	<b>B1</b> 1" Regress Bevel, Die Cast	<b>10</b> White <b>13</b> Statuary Bronze <b>21</b> Black <b>28</b> Metalized Grey <b>RAL</b> Custom Color (specify RAL #)
	<sup>1</sup> Wet location, use with B1 trims only. <sup>2</sup> not for use with IC housing.		



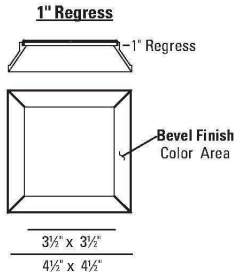
**HOUSING ORDERING INFORMATION**

HOUSING CODE	WATTAGE	ENGINE CODE	COLOR	REFLECTOR	HOUSING TYPE	VOLTAGE	OPTIONAL DIMMING DRIVER	ACCESSORIES
LSLD4	_____	M2	_____	_____	_____	_____	_____	_____
LSLD4	<b>9014</b> 14W LED, 1000 lumens <b>9020</b> 20W LED, 1300 lumens	M2	<b>27KS</b> 2700K, 80+ CRI <b>30KS</b> 3000K, 80+ CRI <b>35KS</b> 3500K, 80+ CRI	<b>30</b> 30° beam <b>50</b> 50° beam <b>80</b> 80° beam	<b>NCSM1</b> New Construction 5/8" - 1-1/4" Ceiling Thickness <b>NCSM2</b> New Construction 1-1/4" - 2-1/4" Ceiling Thickness <b>IC</b> Insulation-Contact Rated / Airtight	<b>120V</b> <b>277V</b>	<b>DIML2</b> 0-10V dim, 15% <b>DIML3</b> Lutron Hi-Lume 1% 2-wire, 120V only <b>DIML4</b> Lutron Hi-Lume 1% 3-wire/ECO <b>DIML6A</b> ELDO 0-10V 0.1%, logarithmic <b>DIML6B</b> ELDO 0-10V 0.1%, linear <b>DIML7</b> ELDO DALI 0.1% <b>DIML9</b> TRIAC 15% 2-wire, 120V only <b>DIML10</b> ELV 15% 2-wire, 120V only	<b>CB27</b> 27" C-Channel Bars <b>CB52</b> 52" C-Channel Bars <b>EML</b> Emergency battery <sup>3</sup> <b>EMLW</b> Emergency battery, wet location <sup>3</sup> <b>MLXX</b> Millwork Adapter <sup>4</sup> XX=Specify Color (10, 13, 21, 28, RAL) Millwork not wet listed
			2 Step MacAdam ellipse is standard for all					<sup>3</sup> NCSM housings require above ceiling access. Not for use with IC housing. <sup>4</sup> N/A with NCSM1 housing

# BeveLED<sup>®</sup> BASIC Trimless

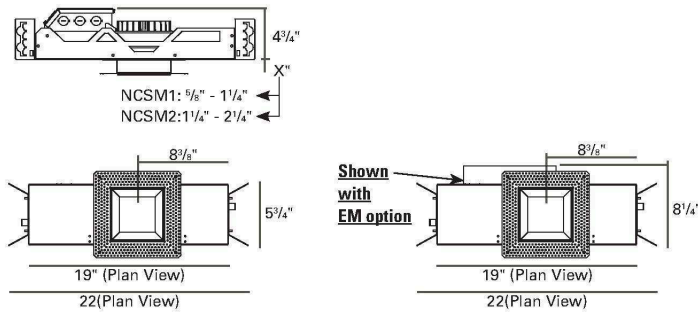


## TRIM INFORMATION

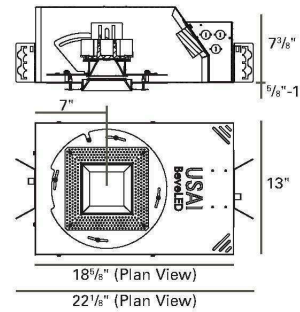


## HOUSING INFORMATION

### New Construction Narrow Width - NCSM



### IC / Airtight - IC



## SPECIFICATIONS

**TRIM:** 4-1/2" square aperture with a 1" regressed bevel, retained by four mounting clips. Die cast aluminum bevel is available in white, staturary bronze, black, and metalized grey finishes. Custom color available (provide RAL#).

**TRIM LENS:** Trim is shipped with integral solite lens standard.

**REFLECTOR:** Interchangeable precision injection molded specular polycarbonate reflector optimized for 30°, 50° or 80° beam distribution.

**FIELD REPLACEABLE LIGHT ENGINE:** Available in 2 lumen packages: 14W (1000 delivered lumens) and 20W (1300 delivered lumens). Engine is field replaceable through the aperture without tools.

**COLOR:** BeveLED is available in 3 color temperatures (2700K, 3000K, 3500K). All color options are tightly binned for fixture-to-fixture color consistency within a 2-Step MacAdam Ellipse. 80+ color rendering index provided standard.

**RATED LIFE:** Based on IESNA LM80-2008 50,000 hours at 70% lumen maintenance (L70).

**THERMAL MANAGEMENT:** Proprietary high performance aluminum die cast heatsink for maximum LED life. Ambient temperatures at fixture location should not exceed 40°C during normal operation.

**FIELD REPLACEABLE DRIVER:** Solid state electronic constant current driver with a high power factor provided standard. Specify 120V or 277V. Driver complies with IEEE C62.41 surge protection.

**DIMMING OPTIONS:** Multiple dimming drivers available. See compatibility chart attached. Note: DIML6A logarithmic control is intended for use with Lutron control systems; DIML6B linear control is intended for use with non-Lutron controls. DIML2 and DIML6 drivers source 2mA.

**EMERGENCY:** Emergency lighting battery pack is provided with remote test switch and require above ceiling access for service. EM option is not available with IC housings.

**MOUNTING:** Butterfly brackets and adjustable nailer bars with integral nails provided. Nailer bars are extendible from 14" to 24" centers.

**HOUSING:** Fabricated of 20 ga. galvanized steel with thru wire J-box, 4 in 4 out at min. 90°C, #12 AWG thru branch circuit wiring. IC rated housing is rated for direct contact with insulation. All-Ways Square® (covered by US Pat. No: US 7,832,889) housing allows alignment of square aperture (up to 20° rotation) after housing installation and prior to finish ceiling installation.

**MAXIMUM CEILING THICKNESS:** As per drawings above. ML option is for 1" max thickness wood with IC housing and for 2-1/4" max thickness wood with NCSM2 housing. Millwork option is not available with NCSM1 housing.

**CEILING CUT OUT:** 5-1/16" x 5-1/16"  
Millwork: 4-13/16" x 4-13/16"

**LISTINGS:** Dry/Damp. Wet location option available with B1 trim only. Millwork Dry/Damp only. NRTL/CSA-US tested to UL standards. IBEW union made.

**WARRANTY:** 5 years



**NOTES:**

- Not for use in corrosive environment.
- Use of pressure washer voids warranty.
- Trimless for drywall installation only.

**PHOTOMETRICS:** Consult factory or website for IES files. Tested in accordance with IESNA LM79-2008.



**DIMMING DRIVER COMPATIBILITY  
SELECTION GUIDE  
DIML2**

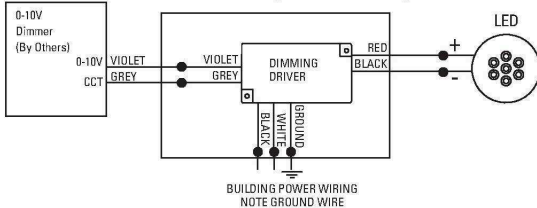
**DIMMING DRIVER WIRING SCHEMES:**

**DIML2 LED: 0-10V Dimming Driver Wiring (Dims down to 15%)**

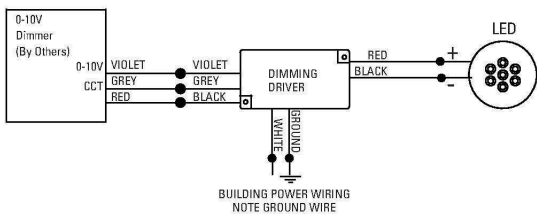
DIML2 Dimmer Compatibility Chart				
Manufacturer	Product	Part Number	Dimmed Light Output Range	Qty Fixtures Per Dimmer*
<b>120V Only</b>				
Crestron	iLux dimmer expansion module	CLS-EXP-DIMFLV	100% - 15%	Use source current per fixture specification sheet to determine number of fixtures per dimmer. Max number of fixtures is limited by dimmer load rating.
Crestron	DIN Rail dimmer	DIN-4DIMFLV4	100% - 15%	
Crestron	DIN Rail analog output module	DIN-A08	100% - 15%	
Crestron	8 Channel dimmer module	GLX-DIMFLV8	100% - 15%	
Crestron	8 Channel dimmer module	GLXP-DIMFLV8	100% - 15%	
Leviton	IllumaTech dimmer	IP710-DLX	100% - 15%	
Lightolier (Philips)	Vega	V2000FAMU	100% - 15%	
Lutron	Diva	DVTV-XX	100% - 15%	

\* NOTE: Refer to dimmer manufacturer's documentation for installation instructions and circuit details.

**DIML2 Dimming Driver Wiring**



**DIML2 Dimming Driver Wiring  
(Lightolier and Leviton dimmers)**





**DIMMING DRIVER COMPATIBILITY  
SELECTION GUIDE  
DIML3**

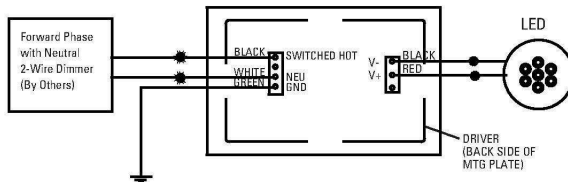
**DIMMING DRIVER WIRING SCHEMES:**

**DIML3 LED: Lutron Hi-Lume A-Series 2 Wire Fwd Phase (with neutral) / LED Dimming Driver Wiring (Dims down to 1%) 120V only.**

DIML3 Dimmer Compatibility Chart						
Manufacturer	Product	Part Number	Dimmed Light Output Range	Qty Fixtures Per Dimmer*		
				Typical	High Wattage	
<b>120V Only</b>				40W and Less	41W - 80W	
ETC	Sensor+ Cabinet	D20 Dimming module	100% - 1%	*	*	
ETC	Unison DRd Cabinet	D20F Dimming module	100% - 1%	*	*	
Lutron	Maestro Wireless® dimmer	MRF2-6ND-120-	100% - 1%	1 - 8	1 - 4	
Lutron	HomeWorks® QS adaptive dimmer	HQRD-6NA-	100% - 1%	1 - 8	1 - 4	
Lutron	HomeWorks® QS 60W dimmer	HQRD-6ND-	100% - 1%	1 - 8	1 - 4	
Lutron	HomeWorks® QS 1000 W dimmer	HQRD-10ND-	100% - 1%	1 - 13	1 - 6	
Lutron	Stanza® dimmer	SZ-6ND-	100% - 1%	1 - 8	1 - 4	
Lutron	RadioRA® 2 adaptive dimmer	RRD-6NA-	100% - 1%	1 - 8	1 - 4	
Lutron	RadioRA® 2 1000 W dimmer	RRD-10ND-	100% - 1%	1 - 13	1 - 6	
Lutron	HomeWorks® QS wallbox power module	HQRJ-WPM-6D-120-	100% - 1%	1 - 26	1 - 13	
Lutron	HomeWorks® wallbox power module	HWI-WPM-6D-120	100% - 1%	1 - 26	1 - 13	
Lutron	GRAFIK Eye® QS control unit	QSGR-, QSGRJ-	100% - 1%	1 - 26	1 - 13	
Lutron	GRAFIK Eye® 3000 control unit	GRX-3100-, GRX-3500-	100% - 1%	1 - 26	1 - 13	
Lutron	RPM-4U module	HW-RPM-4U-120, LP-RPM-4U-120	100% - 1%	1 - 26	1 - 13	
Lutron	RPM-4A module	HW-RPM-4A-120, LP-RPM-4A-120	100% - 1%	1 - 26	1 - 13	
Lutron	GP dimming panels	Various	100% - 1%	1 - 26	1 - 13	

\* NOTE: Refer to dimmer manufacturer's documentation for installation instructions and circuit details.

**Wire Diagram for 2-Wire Control**





**DIMMING DRIVER COMPATIBILITY  
SELECTION GUIDE  
DIML4**

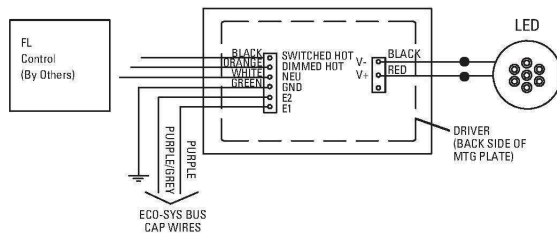
**DIMMING DRIVER WIRING SCHEMES:**

**DIML4 LED: Lutron Hi-Lume A-Series LED Driver with 3-Wire FL Control / LED Dimming Driver Wiring (Dims down to 1%)**

DIML4 3-Wire Dimmer Compatibility Chart					
Manufacturer	Product	Part Number	Dimmed Light Output Range	Qty Fixtures Per Control*	
				Typical	High Wattage
<b>120V Only</b>				<b>40W and Less</b>	<b>41W - 80W</b>
ETC	Sensor+ Cabinet	D20 Dimming module	100% - 1%	*	*
ETC	Unison DRd Cabinet	D20F Dimming module	100% - 1%	*	*
Lutron	Nova T	NTF-10-	100%-1%	1-41	1-20
Lutron	Nova T	NTF-103P-	100%-1%	1-20	1-10
Lutron	Nova	NF-10-	100%-1%	1-41	1-20
Lutron	Nova	NF-103P-	100%-1%	1-20	1-10
Lutron	Vareo	VF-10-	100%-1%	1-20	1-10
Lutron	SkyLark	SF-10P-, SF-103P-	100%-1%	1-20	1-10
Lutron	Diva	DVF-103P-, DVSCF-103P-	100%-1%	1-20	1-10
Lutron	Ariadni	AYF-103P-	100%-1%	1-20	1-10
Lutron	Vierti	VTF-6A-	100%-1%	1-15	1-7
Lutron	Maestro	MAF-6AM-, MSCF-6AM-	100%-1%	1-15	1-7
Lutron	Maestro Wireless	MRF2-F6AN-DV-	100%-1%	1-15	1-7
Lutron	RadioTouch	RTA-RX-F-	100%-1%	1-41	1-20
Lutron	Spacer System	SPSF-6A-, SPSF-6AM-	100%-1%	1-15	1-7
Lutron	Lyneo Lx	LXF-103PL-	100%-1%	1-20	1-10
Lutron	RadioRA 2	RRD-F6AN-DV-	100%-1%	1-15	1-7
Lutron	HomeWorks QS	HQRD-F6AN-DV	100%-1%	1-15	1-7
Lutron	Interfaces	PHPM-3F-120, PHPM-3F-DV, GRX-FDBI-16A	100%-1%	1-41	1-20
Lutron	GP Dimming Panels	Various	100%-1%	1-41	1-20
<b>277V Only</b>				<b>40W and Less</b>	<b>41W - 80W</b>
ETC	Sensor+ Cabinet	D20 Dimming module	100% - 1%	*	*
ETC	Unison DRd Cabinet	D20F Dimming module	100% - 1%	*	*
Lutron	Nova T	NTF-10-277-	100%-1%	1-44	1-22
Lutron	Nova T	NTF-103P-277-	100%-1%	1-33	1-16
Lutron	Nova	NF-10-277-	100%-1%	1-44	1-22
Lutron	Nova	NF-103P-277-	100%-1%	1-33	1-16
Lutron	SkyLark	SF-12P-277-, SF-12P-277-3	100%-1%	1-33	1-16
Lutron	Diva	DVF-103P-277-, DVSCF-103P-277-	100%-1%	1-33	1-16
Lutron	Ariadni	AYF-103P-277-	100%-1%	1-44	1-22
Lutron	Vierti	VTF-6A-	100%-1%	1-33	1-16
Lutron	Maestro	MAF-6AM-277-, MSCF-6AM-277-	100%-1%	1-20	1-10
Lutron	Maestro Wireless	MRF2-F6AN-DV-	100%-1%	1-33	1-16
Lutron	RadioTouch	RTA-RX-F-	100%-1%	1-88	1-44
Lutron	Spacer System	SPSF-6A-277-, SPSF-6AM-277-	100%-1%	1-20	1-10
Lutron	Lyneo Lx	LXF-103PL-277-	100%-1%	1-33	1-16
Lutron	RadioRA 2	RRD-F6AN-DV-	100%-1%	1-33	1-16
Lutron	HomeWorks QS	HQRD-F6AN-DV	100%-1%	1-33	1-16
Lutron	Interfaces	PHPM-3F-DV, GRX-FDBI-16A	100%-1%	1-88	1-44
Lutron	GP Dimming Panels	Various	100%-1%	1-88	1-44

\* NOTE: Number of fixtures may be higher if wattage is less than maximum values shown. Refer to dimmer manufacturer's documentation for installation instructions and circuit details.

**Wire Diagram for 3-Wire FL Control (no Eco System Control)**



**DIML4 wiring diagrams continued on next page**



**DIMMING DRIVER COMPATIBILITY  
SELECTION GUIDE**

**DIML4 Continued**

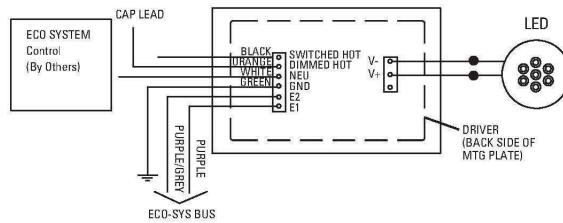
**DIMMING DRIVER WIRING SCHEMES:**

**DIML4 LED: Lutron Hi-Lume A-Series LED Driver with Eco System Control / LED Dimming Driver Wiring (Dims down to 1%)**

DIML4 3-Wire Dimmer Compatibility Chart					
Manufacturer	Product	Part Number	Dimmed Light Output Range	Qty Fixtures Per Control*	
				Typical	High Wattage
<b>120V Only</b>					
Lutron	PowPak dimming module	RMJ-ECO32-DV-B	100%-1%	1-32	1-16
Lutron	Energi Savr Node	QSN-1ECO-S, QSN-2ECO-S	100%-1%	1-64	1-32
Lutron	GRAFIK Eye QS (120V ONLY)	QSGRJ- E, QSGR- E	100%-1%	1-64	1-32
Lutron	Quantum	Various	100%-1%	1-64	1-32

\* NOTE: Number of fixtures may be higher if wattage is less than maximum values shown. Refer to dimmer manufacturer's documentation for installation instructions and circuit details.

**Wire Diagram for ECO System Digital Control**





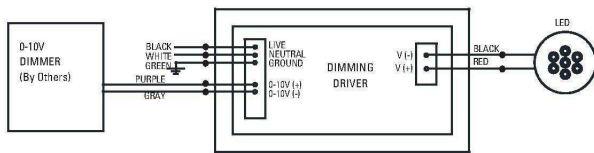
**DIMMING DRIVER COMPATIBILITY  
SELECTION GUIDE  
DIML6A, 6B**

**DIMMING DRIVER WIRING SCHEMES:**

**DIML6A LED: EldoLED SOLOdrive 561/S 0-10V control 100%-0.1% dimming driver For Lutron Controls.**

DIML6A Dimmer Compatibility Chart				
Manufacturer	Product	Part Number	Dimmed Light Output Range	Qty Fixtures Per Dimmer*
<b>120V &amp; 277V</b>				
Lutron	Diva	DVTV/NFTV/N TFTV with PP-20	99% - 0.1%	Refer to manufacturer's dimmer load rating for maximum and minimum fixture quantities per dimmer.
Lutron	Energi Savr Node	QSN-4T16-S	100% - 0.1%	
Lutron	GP Dimming Panels	TVM2 Module	99% - 0.1%	
Lutron	Interfaces	GRX-TVI w/ GRX3503	100% - 0.1%	

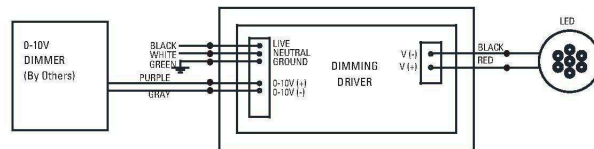
\* NOTE: Refer to dimmer manufacturer's documentation for installation instructions and circuit details.



**DIML6B LED: EldoLED SOLOdrive 561/S 0-10V control 100%-0.1% dimming driver For Non-Lutron Controls.**

DIML6B Dimmer Compatibility Chart				
Manufacturer	Product	Part Number	Dimmed Light Output Range	Qty Fixtures Per Dimmer*
<b>120V &amp; 277V</b>				
Bush-Jaeeger	Electronic potentiometer	2112U-101	100% - 0.1%	Refer to manufacturer's dimmer load rating for maximum and minimum fixture quantities per dimmer.
Jung	Electronic potentiometer	240-10	100% - 0.1%	
Leviton	IllumaTech dimmer	IP710-DLX	100% - 0.1%	
Lightolier (Philips)	Momentum (120V ONLY)	ZP600FAM120	100% - 0.1%	
Merten	Electronic potentiometer	5729	100% - 0.1%	
Pass & Seymour	Titan	CD4FB-W	100% - 0.1%	
Watt Stopper	Miro	DCLV1	100% - 0.1%	

\* NOTE: Refer to dimmer manufacturer's documentation for installation instructions and circuit details.

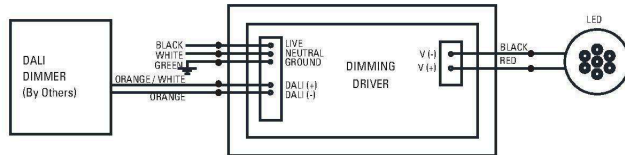




## DIMMING DRIVER COMPATIBILITY SELECTION GUIDE DIML7

### DIMMING DRIVER WIRING SCHEMES:

#### **DIML7 LED: EldoLED DALI Dimming Driver Wiring (Dims down to 0.1%)**

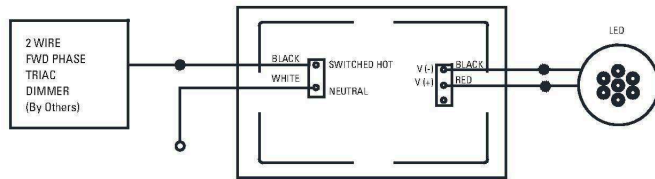




## DIMMING DRIVER COMPATIBILITY SELECTION GUIDE DIML9

### DIMMING DRIVER WIRING SCHEMES:

#### DIML9 LED: TRIAC Forward Phase Dimming Driver Wiring (Dims down to 15%) 120V Only

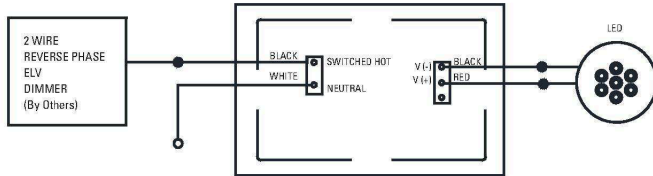




**DIMMING DRIVER COMPATIBILITY  
SELECTION GUIDE  
DIML10**

**DIMMING DRIVER WIRING SCHEMES:**

**DIML10 LED: ELV Reverse Phase Dimming Driver Wiring (Dims down to 15%) 120V Only**



Recessed adjustable LED downlight with 3" square trimless beveled frosted lensed trim. Finish White

*Manufacturer:* USAI

*Fixture Wattage:* 18w

*Fixture Line:* BeveLEDmini

*Fixture Voltage:* 120V

*Fixture:* Adjustable 2433

*Load Type:* FWD PHASE

*Catalog #:* 2433-B1-F-10 LSLA3-8418-WGD1-2722KH-30-NC-120V-DIML3-AL55D

*Mounting:* Recessed ceiling

*Accessories:* AL20D 55° Optic lens

*Lamp Spec:* Integral warm dimming LED, 2700K to 2200K, 900 lm, 90+ CRI, 32lm/w

*Lamp Voltage:* 120V

**Fixture Specification Notes**

- 1) Verify ceiling thickness and finish with Architect prior to ordering.
- 2) Fixture is flangeless, for installation in sheetrock ceiling.
- 3) Contractor to order housing/frame-in kit as required.



**BeveLED<sup>®</sup> mini Trimless**  
**WARM GLOW<sup>®</sup> DIMMING**



Covered By US Patent 8,456,109 and 8,581,520

**PROJECT INFORMATION**

PROJECT \_\_\_\_\_  
DATE \_\_\_\_\_  
TYPE \_\_\_\_\_

**ADJUSTABLE 2433**



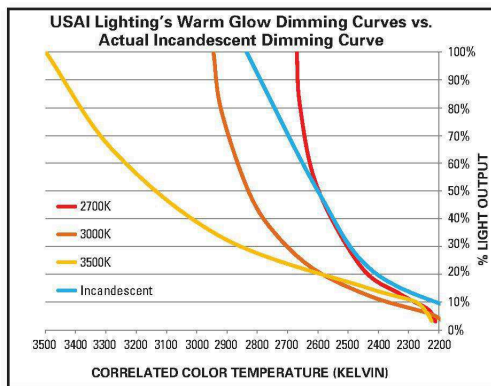
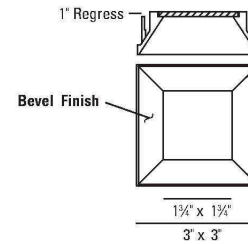
1" REGRESS

**BeveLED mini Warm Glow Dimming Trimless Recessed Adjustable** - Gradually transitions from 2700K, 3000K or 3500K down to 2200K, creating intimacy while enhancing the mood and feeling of space.

**DELIVERED PERFORMANCE - Adjustable**

Maximum Wattage	12Watts					18Watts				
	2700K		3000K		3500K	2700K		3000K		3500K
Maximum Color Temperature	2700K	3000K	3000K	3000K	3500K	2700K	3000K	3000K	3000K	3500K
Color Rendering Index	80+	90+	80+	90+	80+	80+	90+	80+	90+	80+
Lumens per Watt	46	37	47	40	50	41	32	42	34	45
Source Lumens	850	675	900	725	975	1125	900	1200	950	1275
Delivered Lumens	550	450	600	475	625	725	575	775	625	825
Color Consistency	2-Step MacAdam Ellipse									

Performance based on 3000K



**HOW TO SPECIFY**

**Ordering Example:** Specify trim code and housing code to order: **2433W - B1 - S - 10 - LSLA3 - 8418 - WGD1 - 2722KS - 30 - NC1 - 277V - DIML2 - CB27**

**TRIM ORDERING INFORMATION**

TRIM	OPTION	BEVEL STYLE	LENS	B1 BEVEL FINISH
2433	W	B1	S	10
Square 30° Trimless Adjustable, solite lens	Wet location <sup>1</sup>	1" Regress Bevel, Painted Die Cast	Solite (provided standard) F Frosted	10 White 13 Statuary Bronze 21 Black 28 Metalized Grey RAL Custom Color (specify RAL #)
	<sup>1</sup> Wet location, use with B1 trims only.	AB1 1" Regress Bevel, Black Anodized Finish AC1 1" Regress Bevel, Clear Matte Anodized Finish	S Solite (provided standard) F Frosted	(Leave blank for AB1 and AC1 Bevel Styles)

BeveLED Mini Optical Accessories Matrix	
if you want...	& you have...
35° beam	AL20D
40° beam	AL30D
45° beam	AL40D
55° beam	AL55D
60° beam	AL80D
40x60° beam	AS61D
	size D

**HOUSING ORDERING INFORMATION**

HOUSING CODE	WATTAGE	ENGINE CODE	COLOR	REFLECTOR	HOUSING TYPE	VOLTAGE	DIMMING DRIVER OPTIONS	ACCESSORIES	OPTICAL ACCESSORIES
LSLA3	8412 12W LED, 600 lumens 8418 18W LED, 775 lumens	WGD1	2722KS 2700K-2200K, 80+ CRI 3022KS 3000K-2200K, 80+ CRI 3522KS 3500K-2200K, 80+ CRI 2722KH 2700K-2200K, 90+ CRI 3022KH 3000K-2200K, 90+ CRI	30 30° beam	NC1 New Construction CP Chicago Plenum <sup>2</sup> IC Insulation-Contact Rated / Airtight <sup>2</sup>	120V 277V	DIML2 0-10V dim, 10% (provided standard) DIML3 Lutron Hi-Lume 1% 2-wire, 120V only DIML4 Lutron Hi-Lume 1% 3-wire/ECO DIML6A EldoLED 0-10V, 0.1%, logarithmic/Lutron controls DIML6B EldoLED 0-10V, 0.1%, linear controls DIML6E EldoLED 0-10V, 1%, logarithmic/Lutron controls DIML6F EldoLED 0-10V, 1%, linear controls DIML7 EldoLED DALI, 0.1%	CB27 27" C-Channel Bars CB52 52" C-Channel Bars EML Emergency battery <sup>3</sup> EMLW Emergency battery, wet location <sup>3</sup> MLX Millwork Adapter XX-Specify Color (Millwork not wet listed)	AL20D Refer to optical accessories matrix on next page for resulting beamspreads when accessory lens is combined with 30° optics AL30D AL40D AL55D AL80D AS61D
					<sup>2</sup> Not available with EM			<sup>3</sup> EM requires above ceiling access. For use with NC1 housing only.	(Order separately)

**BeveLED<sup>®</sup> mini Trimless**

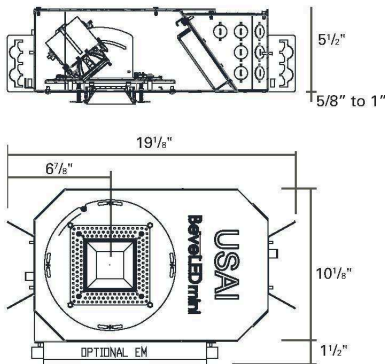
**WARM GLOW<sup>®</sup> DIMMING**

Covered By US Patents: 8,581,520 and 8,456,109

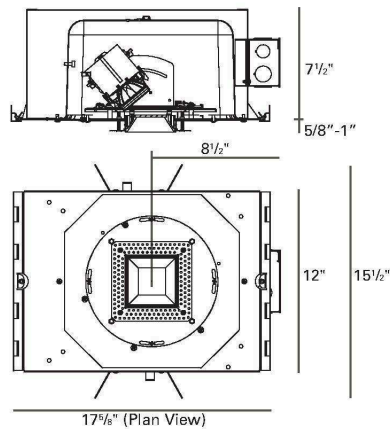


**HOUSING INFORMATION**

**New Construction Housing - NC1**



**IC / Airtight - IC  
Chicago Plenum - CP**



**SPECIFICATIONS**

**TRIM:** 3" square aperture with a 1" regressed bevel, retained by two mounting clips. Die cast aluminum bevel is available in white, statuary bronze, black, and metalized grey finishes. Also available in black anodized or clear matte anodized bevel. Custom colors available (provide RAL#).

**TRIM LENS:** 30° trim is shipped with integral solite lens. Frosted lens is available as an option.

**REFLECTOR:** Proprietary 30° high efficiency molded optic.

**ADJUSTMENT:** True hot aiming with center beam optics is adjustable, with a screw driver. 0°-40° lockable vertical tilt with toolless 362° lockable rotation.

**FIELD REPLACEABLE LIGHT ENGINE:** Available in 2 lumen packages: 12W (600 delivered lumens), 18W (775 delivered lumens). Engine is field replaceable through the aperture.

**COLOR:** BeveLED mini is available in 3 color temperatures with Warm Glow dimming. All color temperatures will dim down from initial CCT at 100% output to 2200K at minimum output. All color options are tightly binned for fixture-to-fixture color consistency within a 2-Step MacAdam Ellipse. 80+ color rendering index provided standard.

**RATED LIFE:** Based on IESNA LM80-2008 50,000 hours at 70% lumen maintenance (L70).

**THERMAL MANAGEMENT:** Proprietary high performance aluminum die cast heatsink for maximum LED life. Ambient temperatures at fixture location should not exceed 40°C during normal operation.

**FIELD REPLACEABLE DRIVER:** 0-10V, 100%-10% DIML2 dimming driver, with a high power factor provided standard and sources 2mA. Specify 120V or 277V. Driver complies with IEEE C62.41 surge protection.

**DIMMING OPTIONS:** Multiple dimming drivers available. See compatibility chart attached. Note: DIML6A and DIML6E logarithmic control are intended for use with Lutron control systems; DIML6B and DIML6F linear control are intended for use with non-Lutron controls. DIML6 dimming driver sources 2mA.

**EMERGENCY:** Emergency lighting battery pack with remote test switch requires above ceiling access for service. Bodine 17C provides 200mA for 90 minute. EMLW wet location option is available with B1 trim only and requires remote test switch. EM option is available with NC1 housings only.

**MOUNTING:** Butterfly brackets and adjustable nailer bars with integral nails provided. Nailer bars are extendible from 14" to 24" centers.

**HOUSING:** All-Ways Square<sup>®</sup> (covered by US Pat. No: US 7,832,889) housing allows alignment of square aperture (up to 20° rotation) after housing installation and prior to finish ceiling installation. Fabricated of 20 ga. galvanized steel with thru wire J-box, 4 in 4 out at min. 90°C, #12 AWG thru branch circuit wiring.

**MAXIMUM CEILING THICKNESS:** As per drawings above. Millwork for 1" max wood.

**ACCESSORY HOLDER:** Snap in accessory holder shipped with fixture. Accepts maximum of two accessories, size D.

**CEILING CUT OUT:** Millwork: 3-5/16" x 3-5/16"  
All others: 3-1/2" x 3-1/2"

**LISTINGS:** Dry/Damp. Wet location option available. NRTL/CSA-US tested to UL standards. IBEW union made.

**WARRANTY:** 5 years



**NOTES:**

- Not for use in corrosive environment.
- Use of pressure washer voids warranty.
- For interior use only.
- Not for use with acoustical ceilings.
- Trimless for drywall installation only.
- Millwork option for non-spackle installations.
- Consult factory for video capture applications.

**PHOTOMETRICS:** Consult factory or website for IES files. Tested in accordance with IESNA LM79-2008.



## DIMMING DRIVER COMPATIBILITY SELECTION GUIDE DIML2

### DIMMING DRIVER WIRING SCHEMES:

**NOTES:**

Wiring diagrams are examples of typical installations intended to illustrate the number of wires that must be run to fixture. These diagrams are not intended to specify all equipment necessary for a given dimming circuit. Refer to specific dimmer manufacturer's documentation for details.

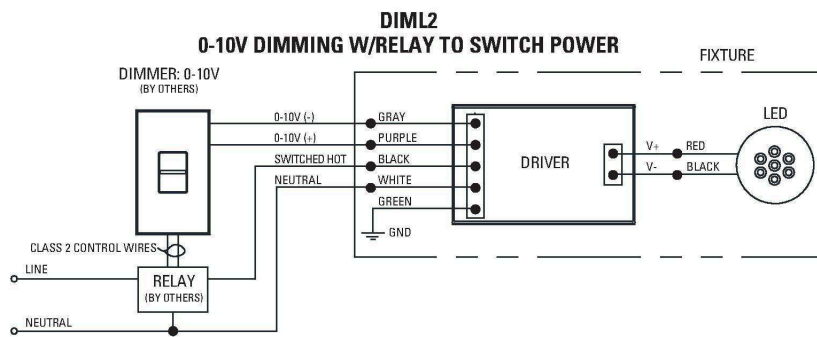
**IMPORTANT SAFETY INSTRUCTIONS  
- SAVE THESE INSTRUCTIONS**

1. Keep these instructions in a safe place for future reference.
2. Only qualified electricians in accordance to local codes should install these fixtures.
3. De-energize the electrical circuit at the circuit breaker prior to installation process or servicing.
4. Make sure all connections are in accordance with the National Electrical Code and any local regulations.
5. Cap any wires not used separately (not together).

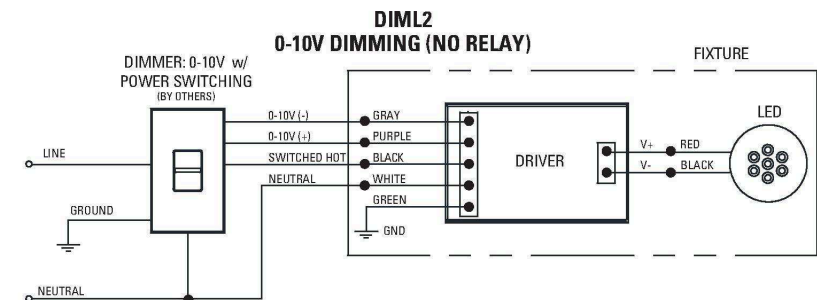
**DIML2 LED: 0-10V Dimming Driver Wiring (Dims down to 10%)**

DIML2 Dimmer Compatibility Chart				
Manufacturer	Product	Part Number	Dimmed Light Output Range	Qty Fixtures Per Dimmer*
<b>120V / 277V</b>				
Crestron	iLux dimmer expansion module	CLS-EXP-DIMFLV	100% - 10%	Use source current per fixture specification sheet to determine number of fixtures per dimmer. Max number of fixtures is limited by dimmer load rating.
Crestron	DIN Rail dimmer	DIN-4DIMFLV4	100% - 10%	
Crestron	DIN Rail analog output module	DIN-A08	100% - 10%	
Crestron	8 Channel dimmer module	GLX-DIMFLV8	100% - 10%	
Crestron	8 Channel dimmer module	GLXP-DIMFLV8	100% - 10%	
Leviton	IllumaTech dimmer	IP710-DLX	100% - 10%	
Lightolier (Philips)	Vega	V2000FAMU	100% - 10%	
Lutron	Diva	DVTV-XX	100% - 10%	

\* NOTE: Refer to dimmer manufacturer's documentation for installation instructions and circuit details.



**NOTE:**  
If switched, non-dimming operation is desired, cap off purple and gray wires individually at installation. Do NOT cap purple and gray wires together.



**NOTE:**  
If switched, non-dimming operation is desired, cap off purple and gray wires individually at installation. Do NOT cap purple and gray wires together.



## DIMMING DRIVER COMPATIBILITY SELECTION GUIDE DIML3

### DIMMING DRIVER WIRING SCHEMES:

**NOTES:**

Wiring diagrams are examples of typical installations intended to illustrate the number of wires that must be run to fixture. These diagrams are not intended to specify all equipment necessary for a given dimming circuit. Refer to specific dimmer manufacturer's documentation for details.

**IMPORTANT SAFETY INSTRUCTIONS  
- SAVE THESE INSTRUCTIONS**

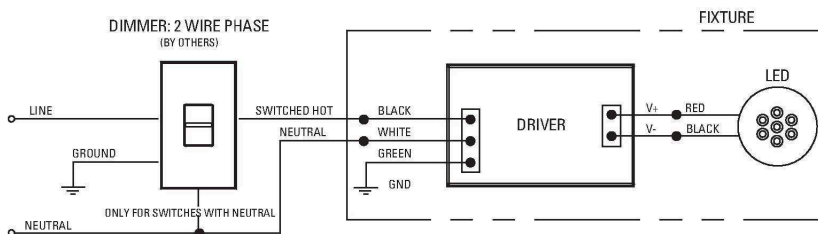
1. Keep these instructions in a safe place for future reference.
2. Only qualified electricians in accordance to local codes should install these fixtures.
3. De-energize the electrical circuit at the circuit breaker prior to installation process or servicing.
4. Make sure all connections are in accordance with the National Electrical Code and any local regulations.
5. Cap any wires not used separately (not together).

**DIML3 LED: Lutron Hi-Lume A-Series 2 Wire Fwd Phase (with neutral) / LED Dimming Driver Wiring (Dims down to 1%) 120V only.**

DIML3 Dimmer Compatibility Chart					
Manufacturer	Product	Part Number	Dimmed Light Output Range	Qty Fixtures Per Dimmer*	
				39W and Less	40W - 80W
<b>120V Only</b>					
ETC	Sensor+ Cabinet	ELV10	100% - 1%	1 - 26	1 - 13
ETC	Unison DRD Cabinet	ELV10	100% - 1%	1 - 26	1 - 13
Lutron	Maestro Wireless® 600W dimmer	MRF2-6ND-120-	100% - 1%	1 - 8	1 - 4
Lutron	Maestro Wireless® 1000W dimmer	MRF2-10ND-120-	100% - 1%	1 - 13	1 - 6
Lutron	HomeWorks® QS adaptive dimmer	HQRD-6NA-	100% - 1%	1 - 8	1 - 4
Lutron	HomeWorks® QS 600W dimmer	HQRD-6ND-	100% - 1%	1 - 8	1 - 4
Lutron	HomeWorks® QS 1000 W dimmer	HQRD-10ND-	100% - 1%	1 - 13	1 - 6
Lutron	Caseta Wireless® Pro 1000W dimmer	PD-10NXD-	100% - 1%	1 - 13	1 - 6
Lutron	Stanza® dimmer	SZ-6ND-	100% - 1%	1 - 8	1 - 4
Lutron	RadioRA® 2 adaptive dimmer	RRD-6NA-	100% - 1%	1 - 8	1 - 4
Lutron	RadioRA® 2 1000 W dimmer	RRD-10ND-	100% - 1%	1 - 6	1 - 3
Lutron	myRoom DIN power module	MQSE-4A1-D	100% - 1%	1 - 6	1 - 3
Lutron	HomeWorks® QS wallbox power module	HQRJ-WPM-6D-120-	100% - 1%	1 - 26	1 - 13
Lutron	Homeworks® DIN power module	LQSE-4A1-D	100% - 1%	1 - 6	1 - 3
Lutron	HomeWorks® wallbox power module	HWI-WPM-6D-120	100% - 1%	1 - 26	1 - 13
Lutron	GRAFIK Eye® QS control unit	QSGR-, QSGRJ-	100% - 1%	1 - 26	1 - 13
Lutron	GRAFIK Eye® 3000 control unit	GRX-3100-, GRX-3500-	100% - 1%	1 - 26	1 - 13
Lutron	RPM-4U module	HW-RPM-4U-120, LP-RPM-4U-120	100% - 1%	1 - 26	1 - 13
Lutron	RPM-4A module	HW-RPM-4A-120, LP-RPM-4A-120	100% - 1%	1 - 26	1 - 13
Lutron	GP dimming panels	Various	100% - 1%	1 - 26	1 - 13
Lutron	Ariadni CL 250W dimmer	AYCL-253P-	100%-1%	1 - 8	1 - 4
Lutron	Diva CL 250W dimmer	DVCL-253P-, DVSCCL-253P-	100%-1%	1 - 8	1 - 4
Lutron	Grafik T CL or RFCL dimmer	GT-250M-, GTJ-250M-	100%-1%	1 - 8	1 - 4
Lutron	Nova T CL 250W dimmer	NTCL-250-	100%-1%	1 - 10	1 - 5

\* NOTE: Refer to dimmer manufacturer's documentation for installation instructions and circuit details.

**DIML3  
2 WIRE PHASE DIMMING**





**DIMMING DRIVER COMPATIBILITY  
SELECTION GUIDE  
DIML4**

**DIMMING DRIVER WIRING SCHEMES:**

**NOTES:**

Wiring diagrams are examples of typical installations intended to illustrate the number of wires that must be run to fixture. These diagrams are not intended to specify all equipment necessary for a given dimming circuit. Refer to specific dimmer manufacturer's documentation for details.

**IMPORTANT SAFETY INSTRUCTIONS**

**- SAVE THESE INSTRUCTIONS**

1. Keep these instructions in a safe place for future reference.
2. Only qualified electricians in accordance to local codes should install these fixtures.
3. De-energize the electrical circuit at the circuit breaker prior to installation process or servicing.
4. Make sure all connections are in accordance with the National Electrical Code and any local regulations.
5. Cap any wires not used separately (not together).

**DIML4 LED: Lutron Hi-Lume A-Series LED Driver with 3-Wire FL Control / LED Dimming Driver Wiring (Dims down to 1%)**

DIML4 3-Wire Dimmer Compatibility Chart					
Manufacturer	Product	Part Number	Dimmed Light Output Range	Qty Fixtures Per Control*	
				Fixture Wattage	
<b>120V Only</b>				39W and Less	40W - 80W
ETC	Sensor+ Cabinet	D20 Dimming module	100% - 1%	1-53	1-26
ETC	Unison DRd Cabinet	D20F Dimming module	100% - 1%	1-53	1-26
Lutron	Nova T	NTF-10-	100%-1%	1-41	1-20
Lutron	Nova T	NTF-103P-	100%-1%	1-20	1-10
Lutron	Nova	NF-10-	100%-1%	1-41	1-20
Lutron	Nova	NF-103P-	100%-1%	1-20	1-10
Lutron	Vareo	VF-10-	100%-1%	1-20	1-10
Lutron	Skylark	SF-10P-, SF-103P-	100%-1%	1-20	1-10
Lutron	Diva	DVF-103P-, DVSCF-103P-	100%-1%	1-20	1-10
Lutron	Ariadni	AYF-103P-	100%-1%	1-20	1-10
Lutron	Vierti	VTF-6A-	100%-1%	1-15	1-7
Lutron	Maestro	MAF-6AM-, MSCF-6AM-	100%-1%	1-15	1-7
Lutron	Maestro Wireless	MRF2-F6AN-DV-	100%-1%	1-15	1-7
Lutron	RadioRA 2	RRD-F6AN-DV-	100%-1%	1-15	1-7
Lutron	HomeWorks QS	HQRD-F6AN-DV	100%-1%	1-15	1-7
Lutron	Interfaces	PHPM-3F-120, PHPM-3F-DV	100%-1%	1-41	1-20
Lutron	GP Dimming Panels	Various	100%-1%	1-41	1-20
<b>277V Only</b>				40W and Less	41W - 80W
ETC	Sensor+ Cabinet	D20 Dimming module	100% - 1%	1-53	1-26
ETC	Unison DRd Cabinet	D20F Dimming module	100% - 1%	1-53	1-26
Lutron	Nova T	NTF-10-277-	100%-1%	1-44	1-22
Lutron	Nova T	NTF-103P-277-	100%-1%	1-33	1-16
Lutron	Nova	NF-10-277-	100%-1%	1-44	1-22
Lutron	Nova	NF-103P-277-	100%-1%	1-33	1-16
Lutron	Skylark	SF-12P-277-, SF-12P-277-3	100%-1%	1-33	1-16
Lutron	Diva	DVF-103P-277-, DVSCF-103P-277-	100%-1%	1-33	1-16
Lutron	Ariadni	AYF-103P-277-	100%-1%	1-44	1-22
Lutron	Vierti	VTF-6A-	100%-1%	1-33	1-16
Lutron	Maestro	MAF-6AM-277-, MSCF-6AM-277-	100%-1%	1-20	1-10
Lutron	Maestro Wireless	MRF2-F6AN-DV-	100%-1%	1-33	1-16
Lutron	RadioRA 2	RRD-F6AN-DV-	100%-1%	1-33	1-16
Lutron	HomeWorks QS	HQRD-F6AN-DV	100%-1%	1-33	1-16
Lutron	Interfaces	PHPM-3F-DV	100%-1%	1-88	1-44
Lutron	GP Dimming Panels	Various	100%-1%	1-88	1-44

\* NOTE: Number of fixtures may be higher if wattage is less than maximum values shown. Refer to dimmer manufacturer's documentation for installation instructions and circuit details.

**DIML4 wiring diagrams continued on next page**



## DIMMING DRIVER COMPATIBILITY SELECTION GUIDE

### DIML4 Continued

#### DIMMING DRIVER WIRING SCHEMES:

**NOTES:**

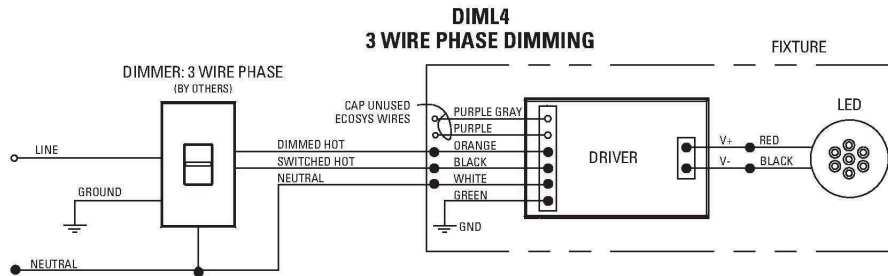
Wiring diagrams are examples of typical installations intended to illustrate the number of wires that must be run to fixture. These diagrams are not intended to specify all equipment necessary for a given dimming circuit. Refer to specific dimmer manufacturer's documentation for details.

**IMPORTANT SAFETY INSTRUCTIONS**

**- SAVE THESE INSTRUCTIONS**

1. Keep these instructions in a safe place for future reference.
2. Only qualified electricians in accordance to local codes should install these fixtures.
3. De-energize the electrical circuit at the circuit breaker prior to installation process or servicing.
4. Make sure all connections are in accordance with the National Electrical Code and any local regulations.
5. Cap any wires not used separately (not together).

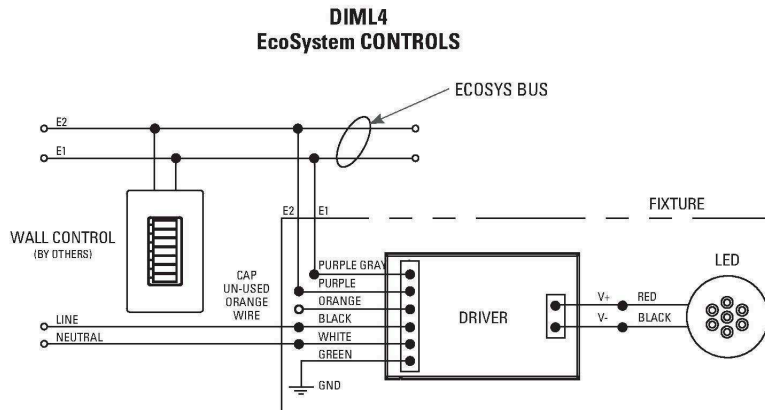
**DIML4 LED: Lutron Hi-Lume A-Series LED Driver with 3-Wire FL Control / LED Dimming Driver Wiring (Dims down to 1%)**



**DIML4 LED: Lutron Hi-Lume A-Series LED Driver with EcoSystem Control / LED Dimming Driver Wiring (Dims down to 1%)**

DIML4 EcoSystem Dimmer Compatibility Chart					
Manufacturer	Product	Part Number	Dimmed Light Output Range	Qty Fixtures Per Control*	
				Fixture Wattage	
<b>120V / 277V</b>					
Lutron	PowPak dimming module	RMJ-EC032-DV-B	100%-1%	39W and Less	40W - 80W
Lutron	Energi Savr Node	QSN-1ECO-S, QSN-2ECO-S	100%-1%	1-64	1-32
Lutron	GRAFIK Eye QS (120V ONLY)	QSGRJ- E, QSGR- E	100%-1%	1-64	1-32
Lutron	Quantum	Various	100%-1%	1-64	1-32

\* NOTE: Number of fixtures may be higher if wattage is less than maximum values shown. Refer to dimmer manufacturer's documentation for installation instructions and circuit details.





**DIMMING DRIVER COMPATIBILITY SELECTION GUIDE**

**DIML6A, 6E  
DIML6B, 6F**

**IMPORTANT SAFETY INSTRUCTIONS  
- SAVE THESE INSTRUCTIONS**

1. Keep these instructions in a safe place for future reference.
2. Only qualified electricians in accordance with local codes should install these fixtures.
3. De-energize the electrical circuit at the circuit breaker prior to installation process or servicing.
4. Make sure all connections are in accordance with the National Electrical Code and any local regulations.
5. Cap any wires not used separately (not together).

**DIML6A and DIML6E LED Dimming Compatibility Table**

DIML6A and DIML6E are linearly programmed dimming drivers for use with logarithmic-style dimming controls (e.g., Lutron and others listed in the table below)  
DIML6A = EldoLED SOLDrive 0-10V control dims from 100% to 0.1%  
DIML6E = EldoLED ECOdrive 0-10V control dims from 100% to 1%

Manufacturer	Product	Part Number	Dimmed Light Output Range	Qty Fixtures Per Dimmer*
<b>120V &amp; 277V</b>			<b>DIML6A / E</b>	
Lutron	Diva	DVTV/NFTV/NTFTV with PP-20	99% - 0.1% / 1%	Refer to manufacturer's dimmer load rating for maximum and minimum fixture quantities per dimmer.
Lutron	Energi Savr Node	QSN-4T16-S	100% - 0.1% / 1%	
Lutron	GP Dimming Panels	TVM2 Module	99% - 0.1% / 1%	
Lutron	Interfaces	GRX-TVI w/ GRX3503	100% - 0.1% / 1%	
Sensor Switch	nIO	nIO EZ	100% - 0.1% / 1%	

\* NOTE: Refer to dimmer manufacturer's documentation for installation instructions and circuit details.

**DIML6B and DIML6F LED Dimming Compatibility Table**

DIML6B and DIML6F are logarithmic-programmed dimming drivers for use with linear-style dimming controls (e.g., Crestron, non-Lutron and others listed in the table below)  
DIML6B = EldoLED SOLDrive 0-10V control dims from 100% to 0.1%  
DIML6F = EldoLED ECOdrive 0-10V control dims from 100% to 1%

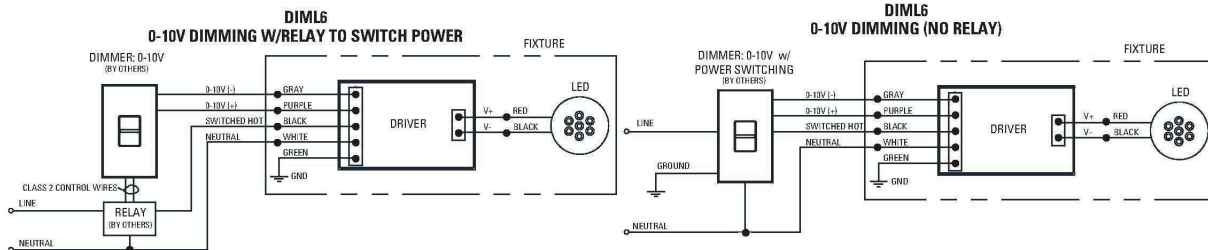
<b>DIML6B Dimmer Compatibility Chart</b>				
Manufacturer	Product	Part Number	Dimmed Light Output Range	Qty Fixtures Per Dimmer*
<b>120V &amp; 277V</b>			<b>DIML6B / F</b>	
Bush-Jaeger	Electronic potentiometer	2112U-101	100% - 0.1% / 1%	Refer to manufacturer's dimmer load rating for maximum and minimum fixture quantities per dimmer.
Jung	Electronic potentiometer	240-10	100% - 0.1% / 1%	
Leviton	IllumaTech dimmer	IP710-DLX	100% - 0.1% / 1%	
Lightolier (Philips)	Momentum (120V ONLY)	ZP600FAM120	100% - 0.1% / 1%	
Merten	Electronic potentiometer	5729	100% - 0.1% / 1%	
Pass & Seymour	Titan	CD4FB-W	100% - 0.1% / 1%	
Watt Stopper	Miro	DCLV1	100% - 0.1% / 1%	
Synergy	Wallbox Dimmers	ISD BC	100% - 0.1% / 1%	
ABB	i-bus	SD/S 2.16.1	100% - 0.1% / 1%	
Crestron	Modules	GLX-DIMFLV8, GLXP-DIMFLV8	100% - 0.1% / 1%	
Crestron	Green Light	GLPAC-DIMFLV4-, GLPAC-DIMFLV8-	100% - 0.1% / 1%	
Crestron	Green Light Power Pack	GLPP-DIMFLVEX-PM, GLPP-1DIMFLV2EX-PM, GLPP-1DIMFLV3EX-PM	100% - 0.1% / 1%	
Crestron	DIN Rail Analog Output Module	DIN-A08	100% - 0.1% / 1%	
Crestron	DIN Rail 0-10V Fluorescent Dimmer	DIN-4DIMFLV4	100% - 0.1% / 1%	
Crestron	iLux 0-10V Dimmer Expansion Module	CLS-EXP-DIMFLV	100% - 0.1% / 1%	

\* NOTE: Refer to dimmer manufacturer's documentation for installation instructions and circuit details.

**DIMMING DRIVER WIRING SCHEMES:**

**NOTES:**

Wiring diagrams are examples of typical installations intended to illustrate the number of wires that must be run to fixture. These diagrams are not intended to specify all equipment necessary for a given dimming circuit. Refer to specific dimmer manufacturer's documentation for details.





## DIMMING DRIVER COMPATIBILITY SELECTION GUIDE DIML7

### DIMMING DRIVER WIRING SCHEMES:

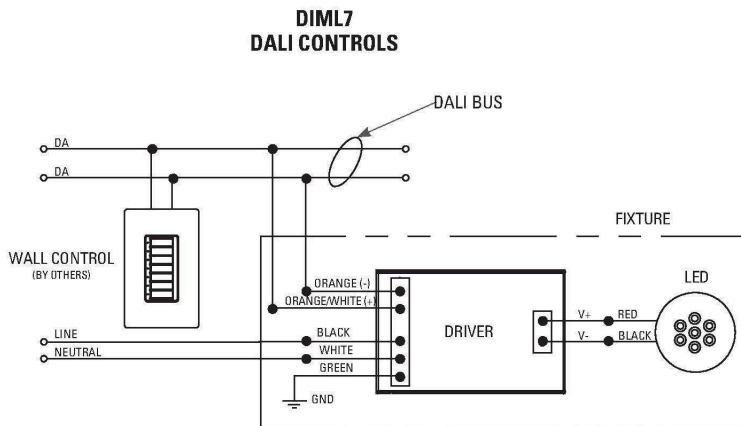
**NOTES:**

Wiring diagrams are examples of typical installations intended to illustrate the number of wires that must be run to fixture. These diagrams are not intended to specify all equipment necessary for a given dimming circuit. Refer to specific dimmer manufacturer's documentation for details.

**IMPORTANT SAFETY INSTRUCTIONS  
- SAVE THESE INSTRUCTIONS**

1. Keep these instructions in a safe place for future reference.
2. Only qualified electricians in accordance to local codes should install these fixtures.
3. De-energize the electrical circuit at the circuit breaker prior to installation process or servicing.
4. Make sure all connections are in accordance with the National Electrical Code and any local regulations.
5. Cap any wires not used separately (not together).

**DIML7 LED: EldoLED DALI Dimming Driver Wiring (Dims down to 0.1%)**



Recessed linear lensed flangeless LED fixture. Nominal fixture dimensions 24" L x 1.5" W x 3.5" H

*Manufacturer:* Pinnacle Architectural Lighting  
*Fixture Line:* EDGE  
*Fixture:* EV1 HE Recessed LED  
*Catalog #:* EV1HE-27-2-SF-120-1C-W  
*Mounting:* Recessed

*Fixture Wattage:* 14w  
*Fixture Voltage:* 120  
*Load Type:* 0-10V

*Driver*

*Lamp Spec:* Integral 2700K LED, 90+ CRI, 880 lm

*Lamp Voltage:* 120

**Fixture Specification Notes**

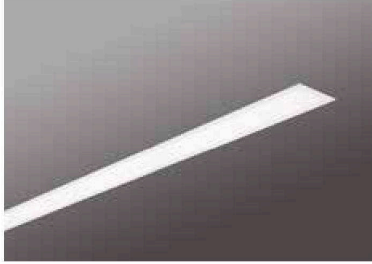
- 1) Fixture shall be furnished with mounting and electrical connection hardware accessories as required for proper installation.
- 2) Verify required fixture lengths with final architectural drawings prior to ordering.



# EDGE EV1HE

EVOLUTION

LED Recessed Linear with High Efficiency Lens



Project Name	Date
Catalog Number	Type

**CONSTRUCTION** Extruded aluminum trim with formed cold rolled 20 gauge steel back box housing. Highly reflective die-formed white painted steel reflector, 3/16" snap-in acrylic lens, removable for maintenance.

**ELECTRICAL** Electronic, 120 to 277 volt input and 36V output. 0-10 volt dimming standard. Must specify 1D in circuiting for dimming.

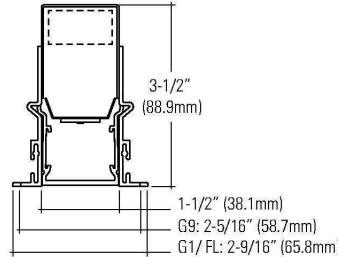
**LED** All luminaire configurations tested in accordance with IES LM-79. Diodes tested in accordance with IES LM-80. R9>20, 27K is CRI>90, 30K, 35K, and 40K is CRI>82. Minimum lifetime greater than 60,000.

**MOUNTING** Edge Evolution is designed to install into acoustical grid and inaccessible ceilings. Specify GXG, FLF, SFS, NFN for individual, unjoinable units (individual units will fall on-grid). Specify GX, FL, SF, NF for continuous runs (runs designed to fall on-grid). Consult factory for detailed installation instructions.

**FINISH** Standard powder-coat textured white, metallic silver, textured black, graphite or bronze painted finish. Consult factory for chip of standard paint finishes. Contact factory for additional custom color and finish options.

**WARRANTY** Edge Evolution LED offered with a 5-year limited warranty. Covers LED, driver and fixture.

**LABELS** IC Rated, UL and cUL Listed, approved for dry/damp location unless otherwise noted.



**LUMINAIRE SPECIFICATION**

Sample Catalog #: EV1HE-30-24-FL-120-1C-W

HOUSING	COLOR/LUMENS	LENGTH	MOUNTING <sup>1</sup>	VOLTAGE	CIRCUITING	FINISH	OPTIONS
<b>EV1HE-</b> Edge Evolution 1, High Efficiency Lens <b>EV1BW-</b> Edge Evolution 1, High Efficiency Lens with Batwing Insert <b>EV1WA-</b> Edge Evolution 1, High Efficiency Lens with Asymmetric Insert	<b>Individual Units<sup>3</sup></b> 2- 23" (584.2mm) <sup>3</sup> 3- 35" (889mm) <sup>3</sup> 4- 47" (1193.8mm) <sup>3</sup> 5- 59" (1498.8mm) <sup>3</sup> 6- 71" (1803.4mm) <sup>3</sup> 7- 83" (2108.2mm) <sup>3</sup> 8- 95" (2413mm) <sup>3</sup> <b>Continuous Runs<sup>4</sup></b> xx"- Specify nominal overall row length in 1' (304.8mm) increments			120- 120 V 277- 277 V UNV- UNV (120-277)	1C- Single Circuit 1D- Single Circuit Dimming <sup>6</sup> 1B- Single Circuit with Battery <sup>5</sup> 1E- Single Circuit with Emergency Circuit <sup>6</sup>	W- Matte White S- Metallic Silver BL- Textured Black BR- Bronze GR- Graphite CC- Custom Color	<b>Individual Units (CANNOT BE JOINED)<sup>2</sup></b> <b>Acoustical Grid Ceiling</b> G1G- 1" (25.4mm) Ceiling Grid G9G- 9/16" (14.3mm) Ceiling Grid GSG- Screw Slot Ceiling Grid GBG- 9/16" (14.3mm) Grid with Bevel Trim <b>Inaccessible Ceiling</b> FLF- Standard 1/2" (127.7mm) Flange SFS- Spackle Flange NFN- Flangeless <sup>5</sup> <b>Continuous Runs (JOINABLE)<sup>4</sup></b> <b>Acoustical Grid Ceiling</b> G1- 1" (25.4mm) Ceiling Grid G9- 9/16" (14.3mm) Ceiling Grid GS- Screw Slot Ceiling Grid GB- 9/16" (14.3mm) Grid with Bevel Trim <b>Inaccessible Ceiling</b> FL- Standard 1/2" (127.7mm) Flange SF- Spackle Flange NF- Flangeless <sup>5</sup> <b>CP-</b> Chicago Plenum <b>CL-</b> 90° Horizontal Corner <b>CI-</b> 90° Inside Corner <b>CO-</b> 90° Outside Corner <b>CT-</b> T Intersection <b>CX-</b> X Intersection <b>RC-</b> Rotating Crossbar <sup>8</sup> <b>PM-</b> Perimeter Mount <sup>7</sup> <b>FW6-</b> 6', 18 gauge, Flex Whip <b>FW12-</b> 12', 18 gauge, Flex Whip <b>EI__-</b> Factory Installed Illuminated Extension <sup>9</sup> <b>EN__-</b> Factory Installed Non-Illuminated Extensions <sup>10</sup>
<b>27K Color Temperature Lumen Options</b> 27- 27K CT, Standard Output 27HO- 27K CT, High Output <b>30K Color Temperature Lumen Options</b> 30- 30K CT, Standard Output 30HO- 30K CT, High Output <b>35K Color Temperature Lumen Options</b> 35- 35K CT, Standard Output 35HO- 35K CT, High Output <b>40K Color Temperature Lumen Options</b> 40- 40K CT, Standard Output 40HO- 40K CT, High Output <b>Custom Output<sup>2</sup></b> CL____- Specify color temp. and lumens/ft. (i.e. CL35600) CW____- Specify color temp. and wattage/ft. (i.e. CW407.5)							

<sup>1</sup>See back page for mounting detail. <sup>2</sup>Specify lumens/watts between standard offering listed above. Lumens are specified per color temp. <sup>3</sup>Individual units cannot be joined. All end trims are factory installed and cannot be removed in the field. <sup>4</sup>Continuous Rows made up of both even and odd length fixtures. Designed to fall on-grid. <sup>5</sup>NF and NFN to be utilized for metal pan / millwork ceiling. <sup>6</sup>Some Edge Evolution configurations will not accommodate all electrical options. Consult factory. <sup>7</sup>Available for acoustical grid ceilings. Wall rail painted white unless otherwise specified. <sup>8</sup>1/2" to 5/8" drywall thickness. Available for standard 1/2" flange (FL). <sup>9</sup>Use "\_\_\_" to specify desired length. Minimum length is 3" <sup>10</sup>Use "\_\_\_" to specify desired length. Minimum length is .5".

Luminous LED light panel with acrylic lens, custom size, 4" x 60"

*Manufacturer:* Backlight

*Fixture Line:* LED Panel

*Fixture:* LED Panel

*Catalog #:* Magic Cloud-14W-2700K (See notes for size)

*Mounting:* Surface

*Fixture Wattage:* 21.5w

*Fixture Voltage:* 120VAC

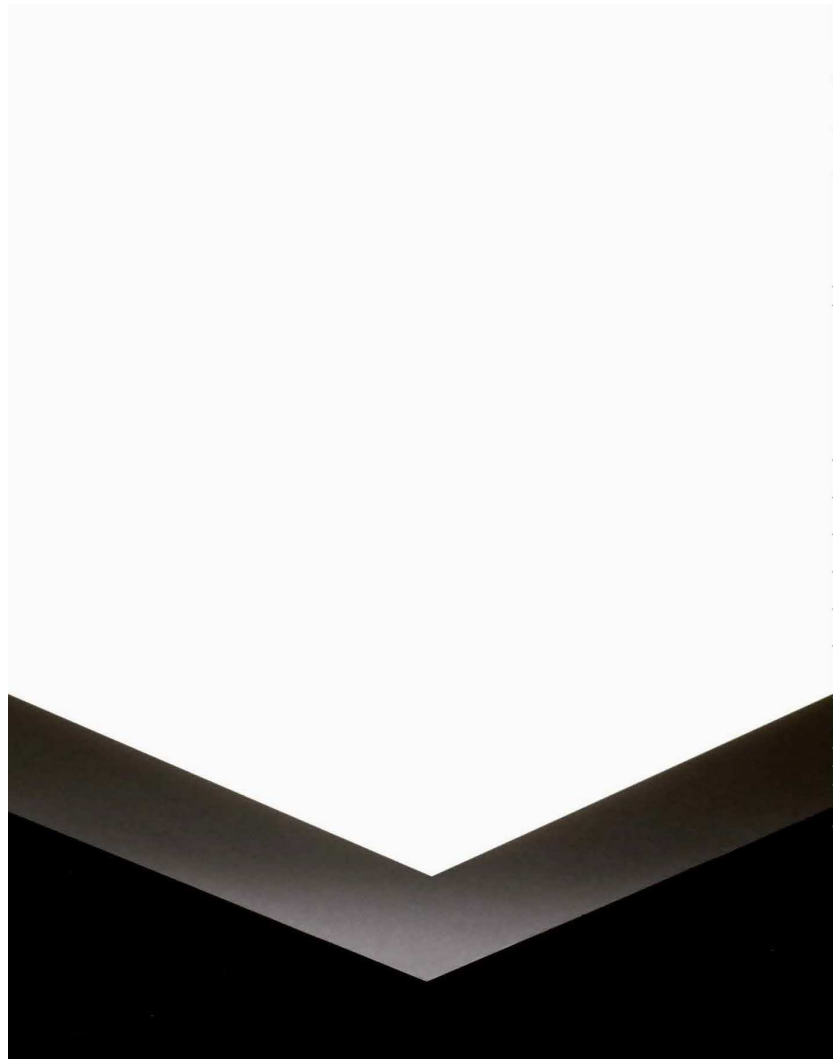
*Load Type:* FWD PHASE

*Driver* Remote dimming LED driver, sized as required per application.

*Lamp Spec:* Integral 2700K LED, 4.3w/ft of longest edge of panel. 80+CRI, 554lm/ft.

**Fixture Specification Notes**

- 1) Verify final lengths and quantities with millwork drawings prior to ordering.
- 2) Fixture shall be furnished with mounting and electrical connection hardware accessories as required for proper installation.
- 3) Lighting supplier shall allow for furnishing samples for bath vanity mockup.
- 4) For availability and pricing contact:  
LitesOn West - 212.775-6363



12

**MAGIC CLOUD**

background and rear lighting  
*fondali luminosi*



backlightsrl.com

**BACKLIGHT**

13

**background and rear lighting**  
*fondali luminosi*

## MAGIC CLOUD

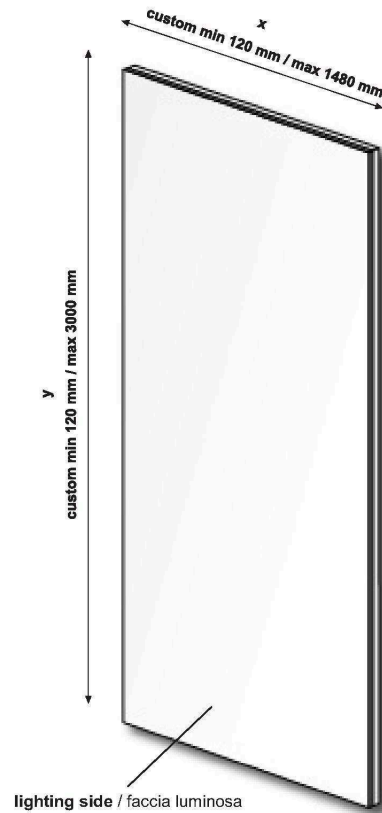
**technical specifications**  
*specifiche tecniche*



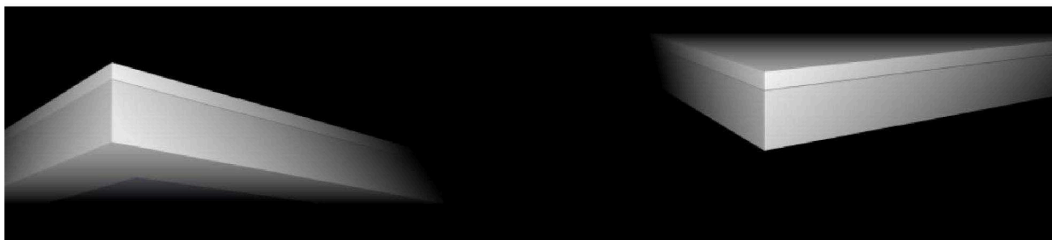
IP54 24 VDC dimmable

**section**  
*sezione*

**available lengths \***  
*lunghezze (mm)*



\* can be manufactured with holes and irregular shapes / puo' essere prodotto con scarichi, fori e in forme irregolari



**uniform lighting custom size / luce uniforme producibile su misura**

backlightsrl.com

BACKLIGHT

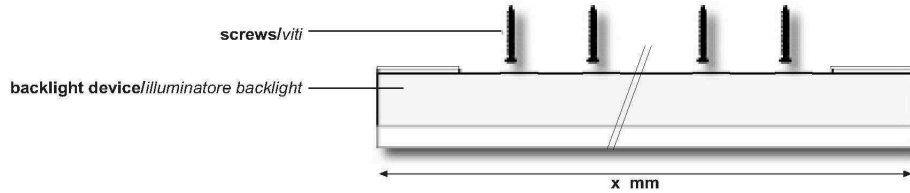
14

**background and rear lighting**  
*fondali luminosi*

**MAGIC CLOUD**

Kit

iron plate with holes + male and female velcron/  
*piattina in ferro zincato con fori + velcro marchio e femmina*



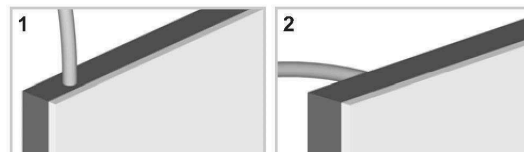
**technical specifications**  
*specifiche tecniche*



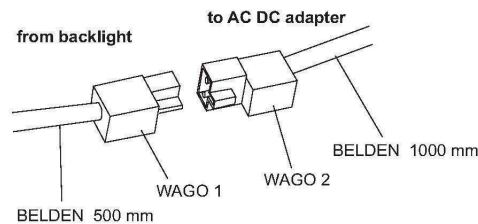
product name <i>nome</i>	standard sections <i>sezioni standard</i>	available lengths * <i>lunghezze (mm)</i>
MAGIC CLOUD	 25.0 mm custom	min 120 x 120 mm max 3000 x 1480 mm

product name <i>nome</i>	weight kg/msq <i>peso kg/mq.</i>	power consumption W <i>assorbimento W</i>	lumen lm/ml <i>pacchetto lumen lm/ml</i>	colour temperature K <i>temperatura colore K</i>
MAGIC CLOUD	22.0	14.0 W per linear mt of the longest side <i>14.0 W ogni mt lineare del lato piu lungo</i>	1820 lm per linear mt of the longest side <i>1820 lm ogni mt lineare del lato piu lungo</i>	<input type="radio"/> 2700
		28.0 W per linear mt of the longest side <i>14.0 W ogni mt lineare del lato piu lungo</i>	3640 lm per linear mt of the longest side <i>3640 lm ogni mt lineare del lato piu lungo</i>	<input type="radio"/> 3200 <input type="radio"/> 3500 <input type="radio"/> 4100 <input type="radio"/> 5000 <input type="radio"/> RGB

**cable options**  
*opzioni uscita cavo*



**cable length \***  
*lunghezza cavo*  
\* custom length of cables can be made  
*la lunghezza dei cavi può essere richiesta su misura*



**certification of lighting device /certificazioni degli apparecchi luminosi**



**uniform lighting custom size / luce uniforme producibile su misura**

**background and rear lighting**  
*fondali luminosi*

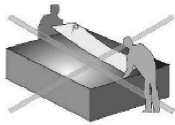
**MAGIC CLOUD**

**technical specifications**  
*specifiche tecniche*



**how handling**  
*come maneggiare*

1



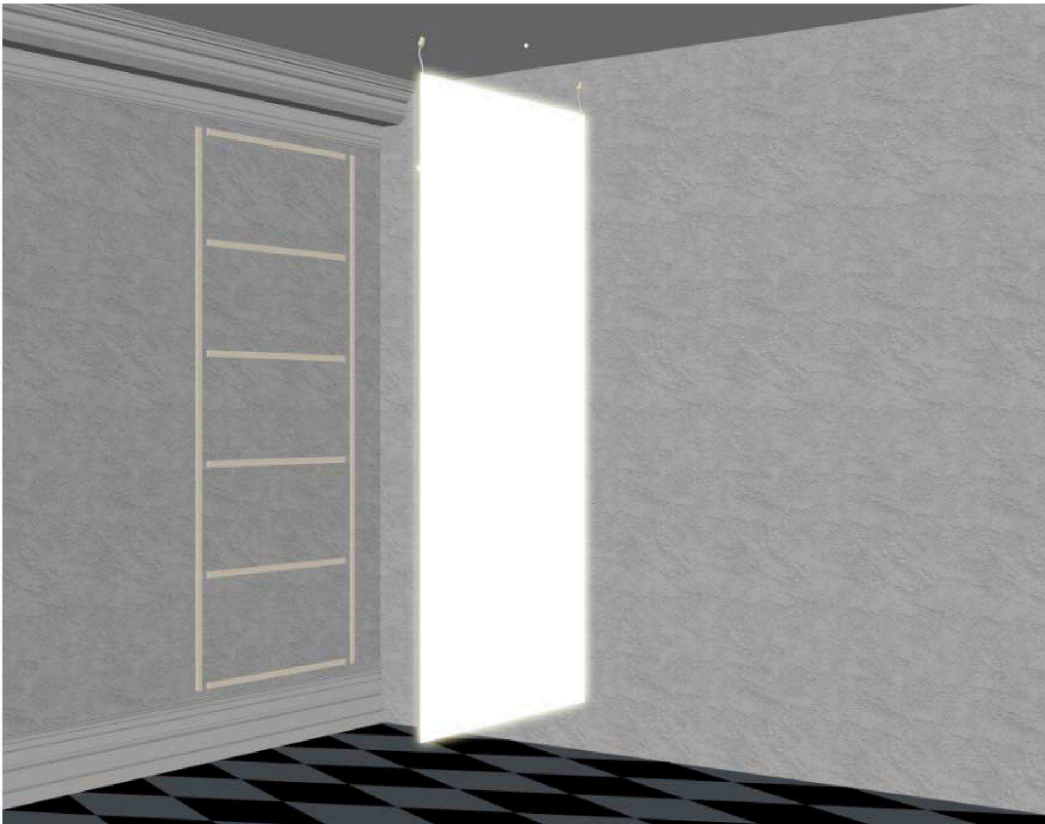
2



**installation**  
*installazione*

**available lengths \***  
*lunghezze (mm)*

- 1) **screw the iron bars on the wall/** avvitare le piattine metalliche alla parete
- 2) **put male + female structural velcron together and adhesive on the iron plates/** attaccare il velcro adesivo maschio+femmina alle piattine metalliche
- 3) **remove the protective film from velcron/** rimuovere il film protettivo dal velcro
- 4) **connect the lighting panel to the AC DC adapter/** connettere il pannello luminoso all' alimentatore
- 5) **put the panel in the right position and press/** posizionare il pannello correttamente e pressare



**uniform lighting custom size / luce uniforme producibile su misura**

Remote forward phase dimming driver, 40W 120VAC primary, 24 V secondary.

**Manufacturer:** Lutron  
**Fixture Line:** Hi-Lume A-Series LTE  
**Fixture:** Forward-Phase Control  
**Catalog #:** LTEA4U1UKL-CV240  
**Mounting:** Surface

**Fixture Voltage:** 120VAC  
**Load Type:** FWD PHASE

**Fixture Specification Notes**

- 1) Contractor to verify location of remote ballasts/ drivers/transformers/power supplies with Architect.
- 2) Verify final capacity and quantity of drivers with application prior to ordering.
- 3) Remote drivers shall be located in a nearby, accessible, well-ventilated, dry, location.



**LED Dimming Driver**

**Hi-lume® A-Series LTE**

**Architectural Dimming**

369543h 1 01.21.15

## Hi-lume® A-Series Driver Overview Forward-Phase Control

Hi-lume® A-Series Driver is a high-performance LED driver that provides smooth, continuous 1% dimming for virtually any LED fixture, whether it requires constant-current or constant-voltage. It is the most versatile LED driver offered today due to its compatibility with a wide variety of LED arrays, multiple form factors, and numerous control options.

### Features

- Continuous, flicker-free dimming from 100% to 1%.
- Guaranteed compatibility with selected Maestro Wireless®, RadioRA®2, HomeWorks® QS, GRAFIK Eye® QS, GRAFIK Systems™, Quantum®, and C•L® dimmers. Please see **Compatible Controls** chart or contact Lutron for details regarding compatible controls.
- QwikFig™ compatible. For more information please refer to Lutron® P/N 041473 (K and M case only).
- 100% performance tested at factory.
- A rated lifetime of 50,000 hours @  $t_c = 149^\circ\text{F}$  ( $65^\circ\text{C}$ ).
- UL® recognized for United States and Canada.
- Type TL Rated.
- FCC Part 15 compliant for commercial and residential applications at 120 V~.
- Pulse width modulation (PWM) or constant-current reduction (CCR) dimming methods available. See Application Note #360 for details.
- RoHS Compliant
- For more information please go to: [www.lutron.com/HiLumeLED](http://www.lutron.com/HiLumeLED)



### Hi-lume® A-Series, case type K

3.00 in (76 mm) W x 1.00 in (25 mm) H x  
4.90 in (124 mm) L



### Hi-lume® A-Series, case type M

1.18 in (30 mm) W x 1.00 in (25 mm) H x  
14.25 in (362 mm) L



### Hi-lume® A-Series, case type KL

K-case mounted on a 4.00 in (102 mm) W x  
1.50 in (38 mm) H x 4.00 in (102 mm) L junction  
box to provide UL® listed wiring compartment

**LUTRON® SPECIFICATION SUBMITTAL**

Page 1

Job Name:	Model Numbers:	
<input type="text"/>	<input type="text"/>	<input type="text"/>
Job Number:	<input type="text"/>	<input type="text"/>

**LED Dimming Driver**

**Hi-lume® A-Series LTE**

**Architectural Dimming**

369543h 2 01.21.15

**Specifications**

**Regulatory Approvals**

- Meets ANSI C62.41 category A surge protection standards up to and including 4 kV.
- FCC Part 15 compliant for commercial and residential applications.
- Manufacturing facilities employ ESD reduction practices that comply with the requirements of ANSI/ESD S20.20.
- Lutron® Quality Systems registered to ISO 9001.2008.
- UL® 8750 recognized.
- UL® 8750 listed form factor available.
- Class 2 output available.
- Models available to meet LED Driver requirements for Energy Star 1.1.
- Type TL Rated.

**UL® 8750 Listed Option**

- cULus® for United States and Canada available for certain operating regions.
- Pre-wired and installation ready.
- See **KL Case: Case Dimensions** page for more specific details regarding UL® listed option.

**Environmental**

- Sound Rating: Inaudible in 27 dB ambient.
- Relative Humidity: Maximum 90% non-condensing.
- Minimum operating ambient temperature ( $t_a$ ) = 32 °F (0 °C).

**Performance**

- Dimming Range: 100% to 1%.
- Operating Voltage: 120 V ~ at 50/60 Hz
- Requires Forward Phase Control; please see **Compatible Controls** chart.
- A rated lifetime of 50,000 hours @  $t_c = 149$  °F (65 °C).  
– For rated warranty,  $t_c$  not to exceed the maximum rated temperatures.<sup>1</sup>
- Patented thermal foldback protection.
- LEDs turn on to any dimmed level without going to full brightness.
- Non-volatile memory restores all driver settings after power failure.
- Power Factor: > 0.90 at 40 W.
- Total Harmonic Distortion (THD): < 20% at 40 W.
- Inrush Current: < 2 A.
- Inrush Current Limiting Circuitry: eliminates circuit breaker tripping, switch arcing and relay failure.
- Open circuit protected.
- Short circuit protected.
- Turn-on time: ≤ 1.5 seconds.<sup>2</sup>
- PWM Dimming Frequency: 550 Hz.

**Driver Wiring & Mounting**

- Driver is grounded by a mounting screw to the grounded fixture (or by terminal connection on the K case).
- Terminal blocks on the driver accept one solid wire per terminal from 18 AWG to 16 AWG (0.75 mm<sup>2</sup> to 1.5 mm<sup>2</sup>).
- Fixture must be grounded in accordance with local and national electrical codes.
- For maximum driver-to-LED light engine wire length, see charts in **Driver Leads** section at the end of the document.

<sup>1</sup> Installer is responsible for ensuring that the driver case temperature does not exceed the maximum rated temperature.

<sup>2</sup> Models available with turn-on time ≤ 1 second.

<b>Job Name:</b> <input type="text"/>	<b>Model Numbers:</b> <input type="text"/>	
<b>Job Number:</b> <input type="text"/>	<input type="text"/>	<input type="text"/>

LED Dimming Driver

Hi-lume® A-Series LTE

Architectural Dimming

369543h 3 01.21.15

**How to Build a Model Number: Hi-lume® A-Series LTE**

**LTEA4U1U**

**Case Size:**

K = Compact  
M = Stick

**Case Style:**

S = Studded  
(K case only)  
N = Non-Studded  
L = UL® Listed  
(K case only)

**Example: LTEA4U1UKS-HC070**

For further assistance selecting your model number, contact our LED Center of Excellence at 1.877.346.5338 or LEDs@lutron.com

**Current Level (for Constant-Current):**

020 = 0.20 A; 021 = 0.21 A...070 = 0.70 A...210 = 2.10 A

**Voltage Level (for Constant-Voltage):**

100 = 10.0 V; 105 = 10.5 V...600 = 60.0 V

**Driver Output:**

C = Constant-current driver  
with pulse width modulation (PWM) dimming  
A = Constant-current driver  
with constant-current reduction (CCR) dimming  
V = Constant-voltage driver  
with pulse width modulation (PWM) dimming

**LED Load Output Range (see the following pages for more detail):**

Class 2 Constant-Voltage

A = 10.0 V–12.0 V  
B = 12.5 V–20.0 V\*  
C = 20.5 V–24.0 V\*  
D = 24.5 V–38.0 V\*

Isolated Non-Class 2  
Constant-Voltage

X = 38.5 V–60.0 V\*

Class 2 Constant-Current

E = 0.20 A–0.50 A 30 V–54 V  
F = 0.51 A–1.00 A 30 V–54 V\*  
G = 0.20 A–0.70 A 8 V–20 V  
H = 0.20 A–0.70 A 15 V–38 V  
I = 0.71 A–1.05 A 8 V–20 V  
J = 0.71 A–1.05 A 15 V–38 V  
K = 1.06 A–1.50 A 8 V–20 V  
L = 1.06 A–1.50 A 15 V–38 V\*  
M = 1.51 A–2.10 A 8 V–19.9 V\*

Isolated Non-Class 2  
Constant-Current

Y = 0.20 A–0.50 A 30 V–60 V  
Z = 0.51 A–1.00 A 30 V–60 V\*

\* Output parameter is power-limited for these output ranges. Consult detailed specifications on the following pages for each range.

Job Name: <input type="text"/>	Model Numbers: <input type="text"/>	
Job Number: <input type="text"/>	<input type="text"/>	<input type="text"/>

LED Dimming Driver

Hi-lume® A-Series LTE

Architectural Dimming

369543h 4 01.21.15

**How to Build a Bulk Model Number (For use with Lutron® QwikFig™ technology):  
Hi-lume® A-Series LTE**

**LTEA4U1U - BLK**

<p><b>Case Size:</b> K = Compact M = Stick</p>	<p><b>Bulk Models:</b> Coverage based on “LED Load Output Range” from standard non-configurable models shown in the <b>How to Build a Model Number</b> section. Example Standard Model Number: LTEA4U1UKS-<b>HC</b>070 has LED load output range = H</p> <p><u>K-case and M-case</u> 1A = Covers “LED Load Output Range” Y and Z 2A = Covers “LED Load Output Range” M 3A = Covers “LED Load Output Range” E and F (CCR dimming only)</p> <p><u>K-case only</u> 2G = Covers “LED Load Output Range” G 2H = Covers “LED Load Output Range” H 2R = Covers “LED Load Output Range” I and K 2S = Covers “LED Load Output Range” J and L</p> <p><u>M-case only</u> 2B = Covers “LED Load Output Range” H, J, and L 2C = Covers “LED Load Output Range” G, I, and K</p>
<p><b>Case Style:<sup>1</sup></b> S = Studded (K-case only) N = Non-Studded (All M-case models)</p>	

**Note:** Only the model numbers falling into the structure listed above can be configured with QwikFig™. Standard model numbers configured at Lutron will not be capable of being reconfigured at another facility.

<sup>1</sup> QwikFig™ bulk drivers are only available as UL® recognized.

<p><b>Job Name:</b></p> <input style="width: 95%; height: 20px;" type="text"/>	<p><b>Model Numbers:</b></p> <input style="width: 95%; height: 20px;" type="text"/>
<p><b>Job Number:</b></p> <input style="width: 95%; height: 20px;" type="text"/>	<input style="width: 95%; height: 20px;" type="text"/>


LED Dimming Driver

Hi-lume® A-Series LTE

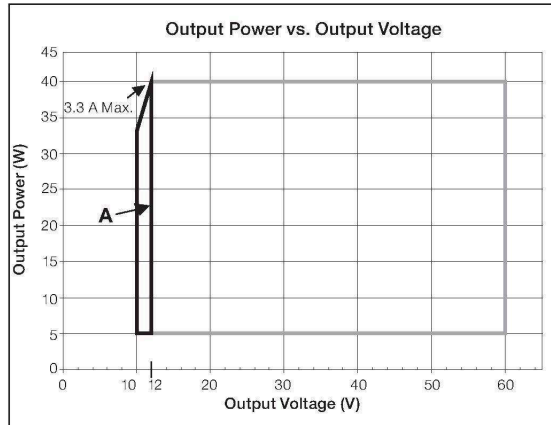
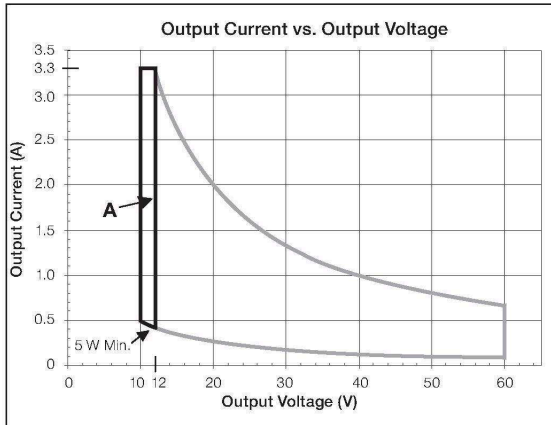
Architectural Dimming

369543h 5 01.21.15

**“A” Output Range, Voltage Driver Models**

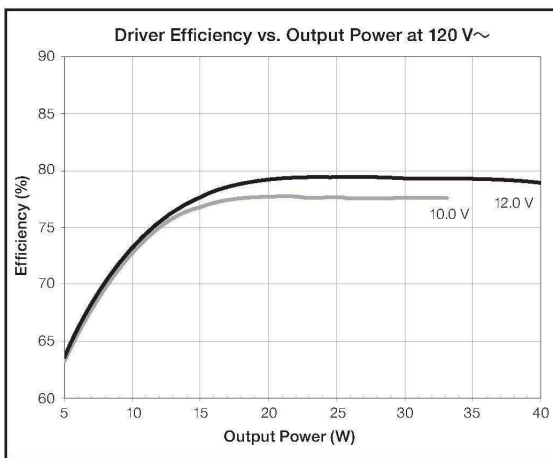
Driver Type	Output Dimming Method	Output Voltage	Output Current	Output Power	Standards Recognition	UL® Listed Option (KL case)
Constant-Voltage Driver (Class 2)	Pulse Width Modulation (PWM)	10.0–12.0 V PWM	0.42–3.3 A	5–40 W		Yes

**Voltage Driver Operation Range:**



**Typical Performance Specifications:**

Parameter	Value	Test Conditions
Input Current	410 mA	t <sub>a</sub> = 25 °C, 12.0 V 40 W load, Maximum Light Output, K case 120 V~ without a dimmer
Power Factor	0.98	
THD	16%	
Driver Efficiency	79%	



Job Name:	Model Numbers:	
<input type="text"/>	<input type="text"/>	<input type="text"/>
Job Number:	<input type="text"/>	<input type="text"/>


LED Dimming Driver

Hi-lume® A-Series LTE

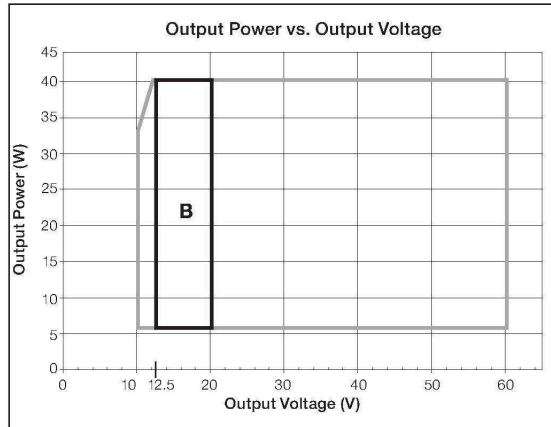
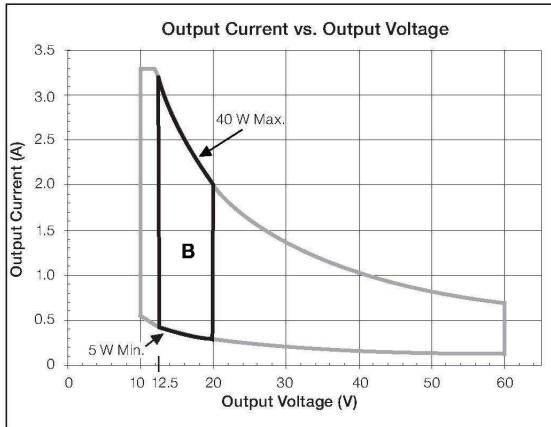
Architectural Dimming

369543h 6 01.21.15

**“B” Output Range, Voltage Driver Models**

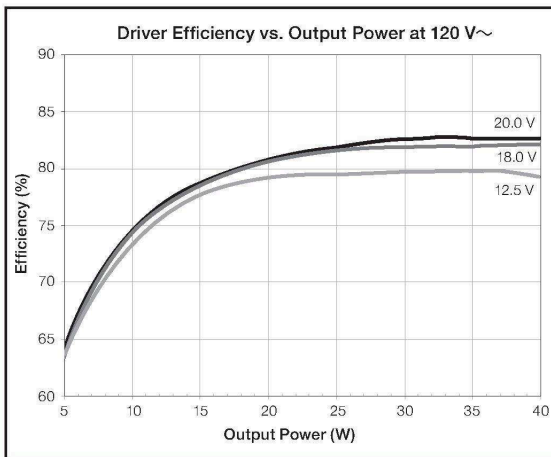
Driver Type	Output Dimming Method	Output Voltage	Output Current	Output Power	Standards Recognition	UL® Listed Option (KL case)
Constant-Voltage Driver (Class 2)	Pulse Width Modulation (PWM)	12.5–20.0 V PWM	0.25–3.2 A	5–40 W		Yes

**Voltage Driver Operation Range:**



**Typical Performance Specifications:**

Parameter	Value	Test Conditions
Input Current	400 mA	t <sub>a</sub> = 25 °C, 20.0 V 40 W load, Max. Light Output, K case 120 V~ without a dimmer
Power Factor	0.99	
THD	9%	
Driver Efficiency	83%	



Job Name:	Model Numbers:	
<input type="text"/>	<input type="text"/>	<input type="text"/>
Job Number:	<input type="text"/>	<input type="text"/>


LED Dimming Driver

Hi-lume® A-Series LTE

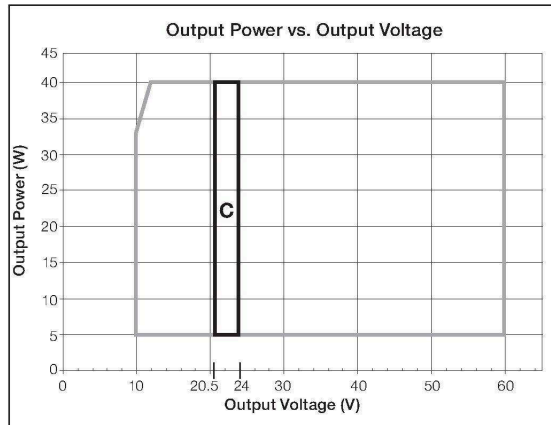
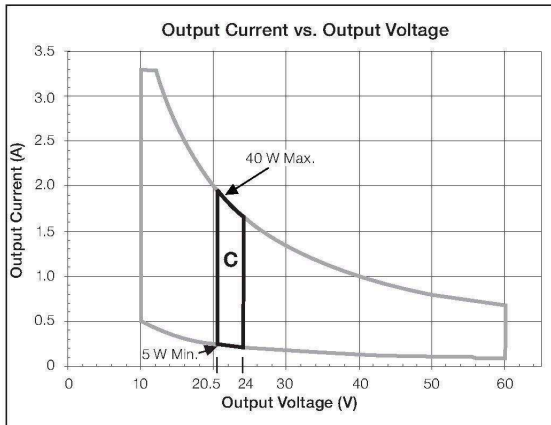
Architectural Dimming

369543h 7 01.21.15

**“C” Output Range, Voltage Driver Models**

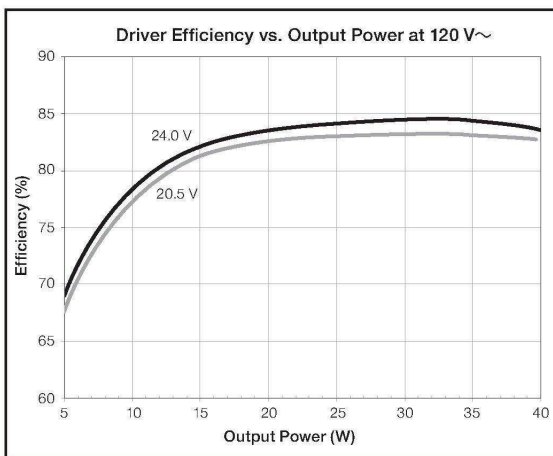
Driver Type	Output Dimming Method	Output Voltage	Output Current	Output Power	Standards Recognition	UL® Listed Option (KL case)
Constant-Voltage Driver (Class 2)	Pulse Width Modulation (PWM)	20.5–24.0 V PWM	0.21–1.95 A	5–40 W		Yes

**Voltage Driver Operation Range:**



**Typical Performance Specifications:**

Parameter	Value	Test Conditions
Input Current	370 mA	t <sub>a</sub> = 25 °C, 24.0 V 40 W load, Maximum Light Output, K case 120 V~ without a dimmer
Power Factor	0.99	
THD	10%	
Driver Efficiency	84%	



Job Name: <input style="width: 95%; height: 20px;" type="text"/>	Model Numbers: <input style="width: 95%; height: 20px;" type="text"/>
Job Number: <input style="width: 95%; height: 20px;" type="text"/>	<input style="width: 95%; height: 20px;" type="text"/>


LED Dimming Driver

Hi-lume® A-Series LTE

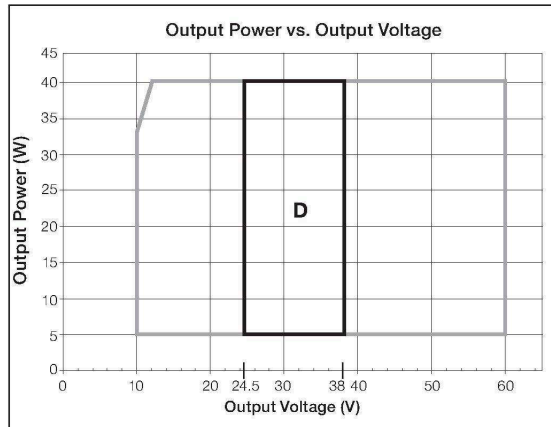
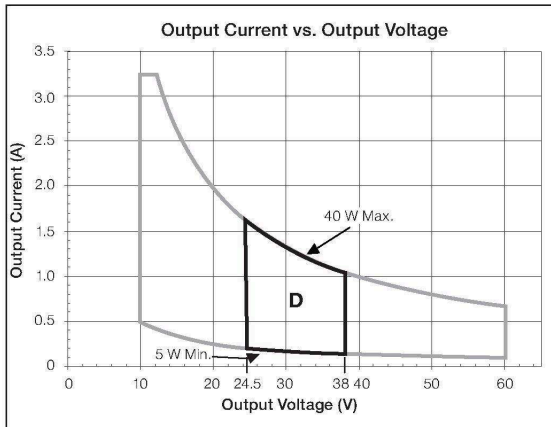
Architectural Dimming

369543h 8 01.21.15

**“D” Output Range, Voltage Driver Models**

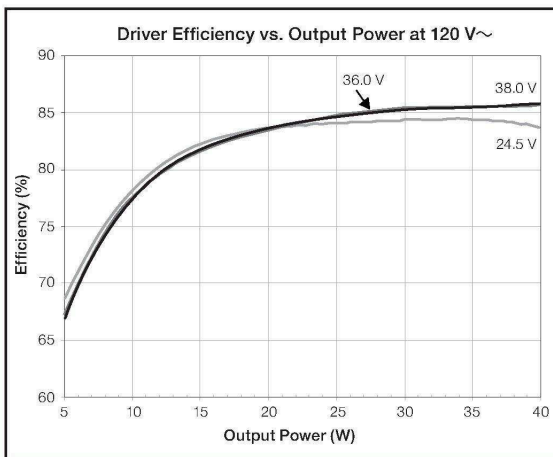
Driver Type	Output Dimming Method	Output Voltage	Output Current	Output Power	Standards Recognition	UL® Listed Option (KL case)
Constant-Voltage Driver (Class 2)	Pulse Width Modulation (PWM)	24.5–38.0 V PWM	0.13–1.63 A	5–40 W		Yes

**Voltage Driver Operation Range:**




**Typical Performance Specifications:**

Parameter	Value	Test Conditions
Input Current	380 mA	$t_a = 25\text{ }^\circ\text{C}$ ,
Power Factor	0.99	38.0 V 40 W load,
THD	7%	Maximum Light Output,
Driver Efficiency	86%	K case
		120 V~ without a dimmer



Job Name: <input style="width: 95%; height: 20px;" type="text"/>	Model Numbers: <input style="width: 95%; height: 20px;" type="text"/>
Job Number: <input style="width: 95%; height: 20px;" type="text"/>	<input style="width: 95%; height: 20px;" type="text"/>

**“E” Output Range, Current Driver Models**

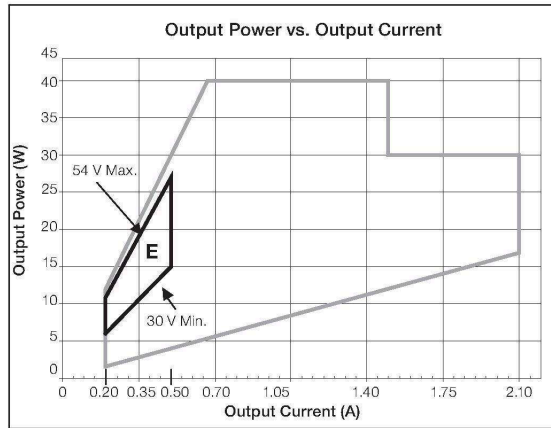
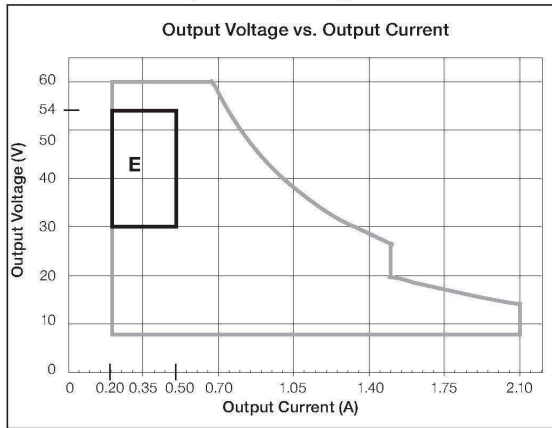
Driver Type	Output Dimming Method	Output Voltage	Output Current	Output Power	Standards Recognition	UL® Listed Option (KL case)
Constant-Current Driver (Class 2)	Constant-Current Reduction (CCR)	30–54 V $\sim$	0.20–0.50 A	6–27 W	 Type TL 82 °/74 °C - K-case Type TL 86 °/72 °C - M-case	Yes

When using QwikFig™ technology, these models can be built from the following bulk units:

K-case - LTEA4U1UKx-3ABLK\*; M-case - LTEA4U1UMN-3ABLK

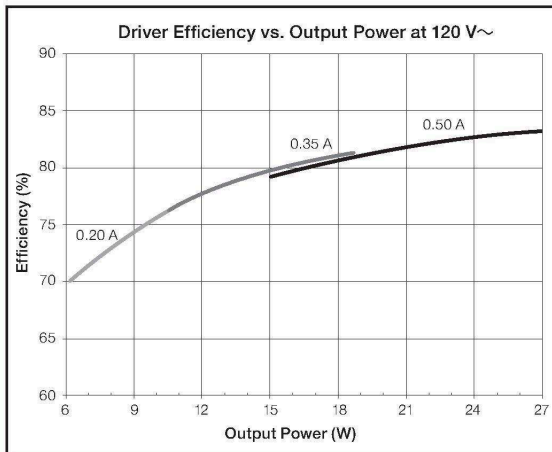
\* x = studed (S) or non-studded (N)

**Current Driver Operation Range:**



**Typical Performance Specifications:**

Parameter	Value	Test Conditions
Input Current	260 mA	$t_a = 25\text{ }^\circ\text{C}$ ,
Power Factor	0.99	0.50 A 27 W load,
THD	10%	Maximum Light Output,
Driver Efficiency	83%	K case
		120 V $\sim$ without a dimmer



<b>Job Name:</b> <input type="text"/>	<b>Model Numbers:</b> <input type="text"/>	
<b>Job Number:</b> <input type="text"/>	<input type="text"/>	<input type="text"/>

**“F” Output Range, Current Driver Models**

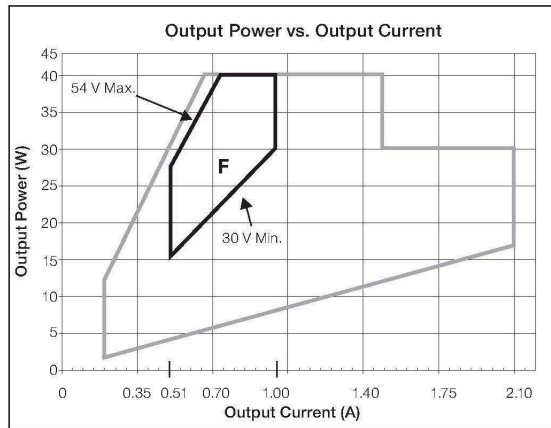
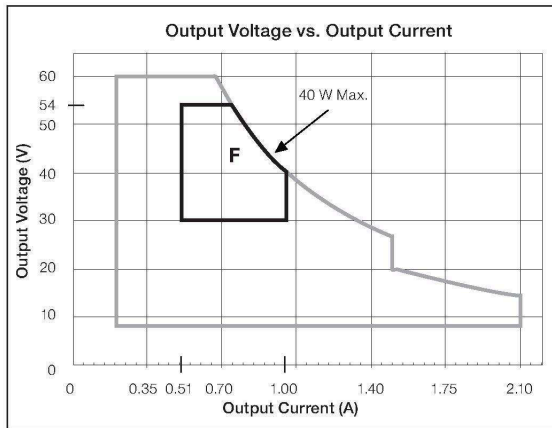
Driver Type	Output Dimming Method	Output Voltage	Output Current	Output Power	Standards Recognition	UL® Listed Option (KL case)
Constant-Current Driver (Class 2)	Constant-Current Reduction (CCR)	30–54 V $\approx$	0.51–1.00 A	15–40 W	<b>UL</b> Type TL 82 °/74 °C - K-case Type TL 86 °/72 °C - M-case	Yes

When using QwikFig™ technology, these models can be built from the following bulk units:

K-case - LTEA4U1UKx-3ABLK\*; M-case - LTEA4U1UMN-3ABLK

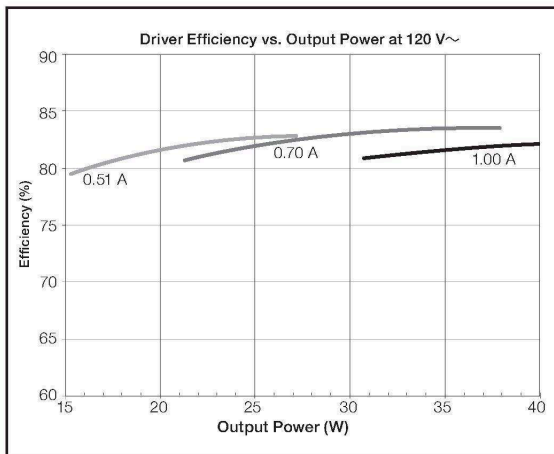
x = studded (S) or non-studded (N)

**Current Driver Operation Range:**



**Typical Performance Specifications:**

Parameter	Value	Test Conditions
Input Current	390 mA	$t_a = 25\text{ }^\circ\text{C}$ ,
Power Factor	0.99	1.00 A 40 W load,
THD	7%	Maximum Light Output,
Driver Efficiency	82%	K case
		120 V $\sim$ without a dimmer



Job Name:	Model Numbers:	
<input type="text"/>	<input type="text"/>	<input type="text"/>
Job Number:	<input type="text"/>	<input type="text"/>

Luminous LED light panel with acrylic lens, custom size, 4" x 60"

*Manufacturer:* Backlight

*Fixture Line:* LED Panel

*Fixture:* LED Panel

*Catalog #:* Magic Cloud-14W-2700K (See notes for size)

*Mounting:* Surface

*Fixture Wattage:* 21.5w

*Fixture Voltage:* 120VAC

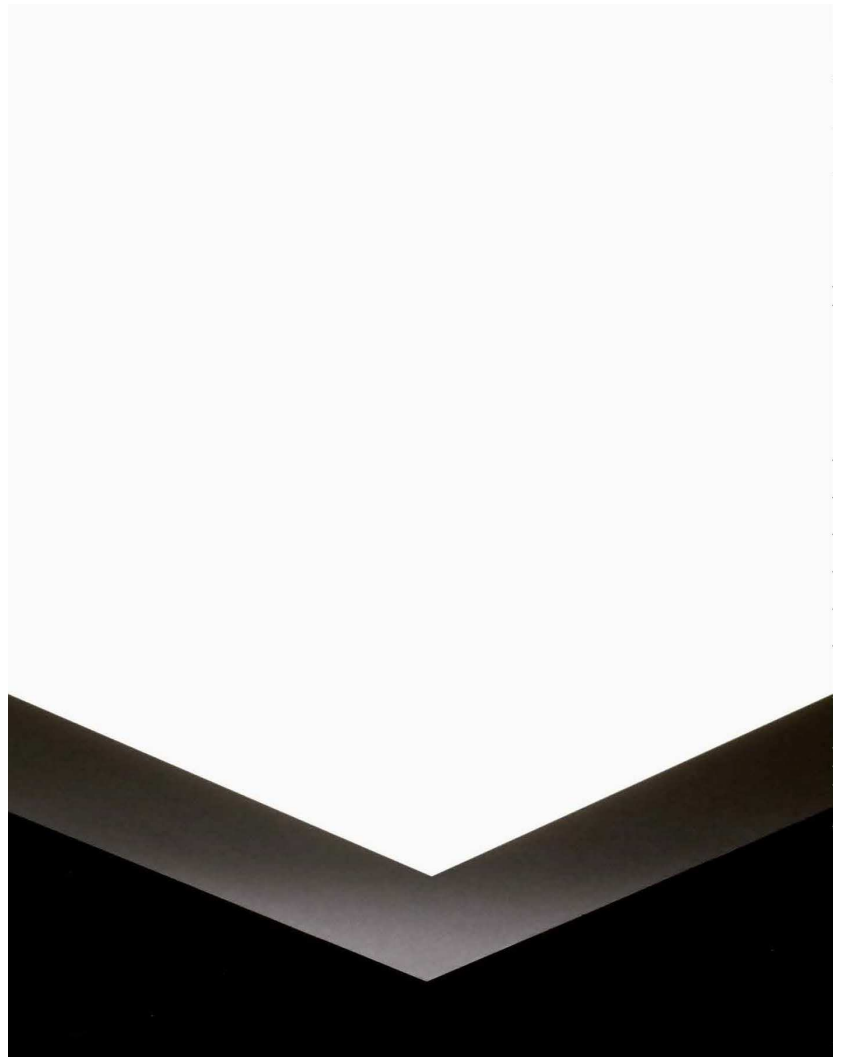
*Load Type:* FWD PHASE

*Driver* Remote dimming LED driver, sized as required per application.

*Lamp Spec:* Integral 2700K LED, 4.3w/ft of longest edge of panel. 80+CRI, 554lm/ft.

**Fixture Specification Notes**

- 1) Verify final lengths and quantities with millwork drawings prior to ordering.
- 2) Fixture shall be furnished with mounting and electrical connection hardware accessories as required for proper installation.
- 3) Lighting supplier shall allow for furnishing samples for bath vanity mockup.
- 4) For availability and pricing contact:  
LitesOn West - 212.775-6363



12

**MAGIC CLOUD**

background and rear lighting  
*fondali luminosi*



backlightsrl.com

**BACKLIGHT**

13

**background and rear lighting**  
*fondali luminosi*

## MAGIC CLOUD

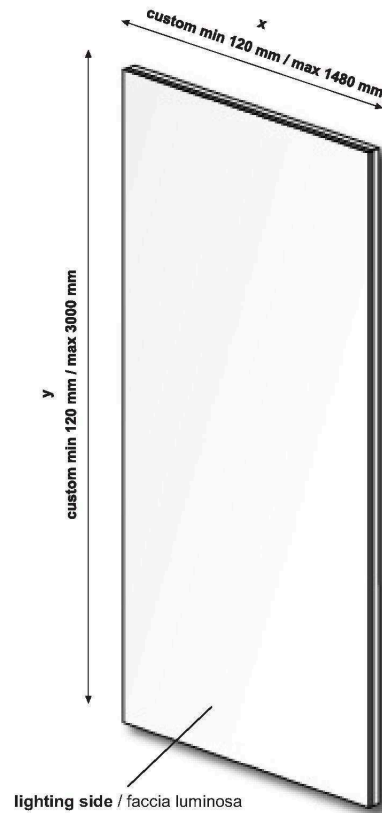
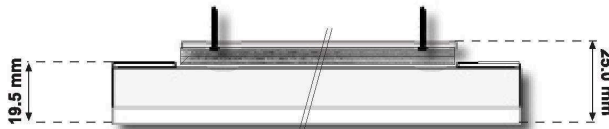
**technical specifications**  
*specifiche tecniche*



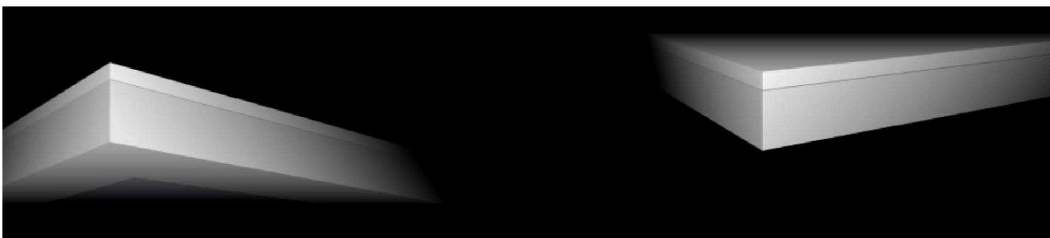
IP54 24 VDC dimmable

**section**  
*sezione*

**available lengths \***  
*lunghezze (mm)*



\* can be manufactured with holes and irregular shapes / puo' essere prodotto con scarichi, fori e in forme irregolari



uniform lighting custom size / luce uniforme producibile su misura

backlightsrl.com

BACKLIGHT

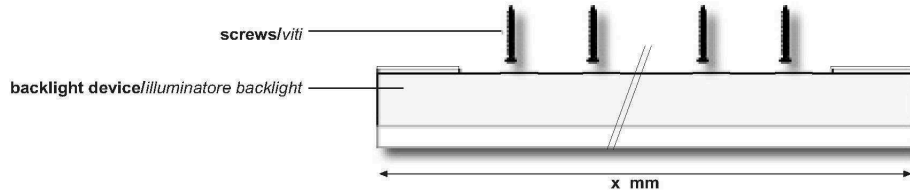
14

**background and rear lighting**  
*fondali luminosi*

**MAGIC CLOUD**

Kit

iron plate with holes + male and female velcron/  
*piattina in ferro zincato con fori + velcro marchio e femmina*



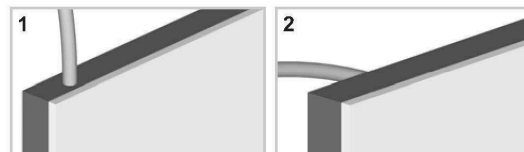
**technical specifications**  
*specifiche tecniche*



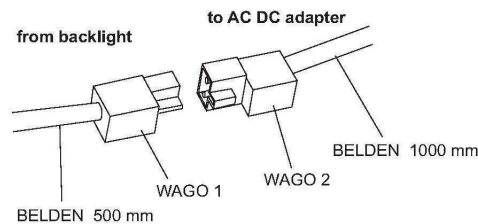
product name <i>nome</i>	standard sections <i>sezioni standard</i>	available lengths * <i>lunghezze (mm)</i>
MAGIC CLOUD	 25.0 mm custom	min 120 x 120 mm max 3000 x 1480 mm

product name <i>nome</i>	weight kg/msq <i>peso kg/mq.</i>	power consumption W <i>assorbimento W</i>	lumen lm/ml <i>pacchetto lumen lm/ml</i>	colour temperature K <i>temperatura colore K</i>
MAGIC CLOUD	22.0	14.0 W per linear mt of the longest side <i>14.0 W ogni mt lineare del lato piu lungo</i>	1820 lm per linear mt of the longest side <i>1820 lm ogni mt lineare del lato piu lungo</i>	<input type="radio"/> 2700
		28.0 W per linear mt of the longest side <i>14.0 W ogni mt lineare del lato piu lungo</i>	3640 lm per linear mt of the longest side <i>3640 lm ogni mt lineare del lato piu lungo</i>	<input type="radio"/> 3200 <input type="radio"/> 3500 <input type="radio"/> 4100 <input type="radio"/> 5000 <input type="radio"/> RGB

**cable options**  
*opzioni uscita cavo*



**cable length \***  
*lunghezza cavo*  
\* custom length of cables can be made  
*la lunghezza dei cavi può essere richiesta su misura*



**certification of lighting device /certificazioni degli apparecchi luminosi**



**uniform lighting custom size / luce uniforme producibile su misura**

**background and rear lighting**  
*fondali luminosi*

**MAGIC CLOUD**

**technical specifications**  
*specifiche tecniche*

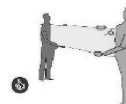


**how handling**  
*come maneggiare*

1



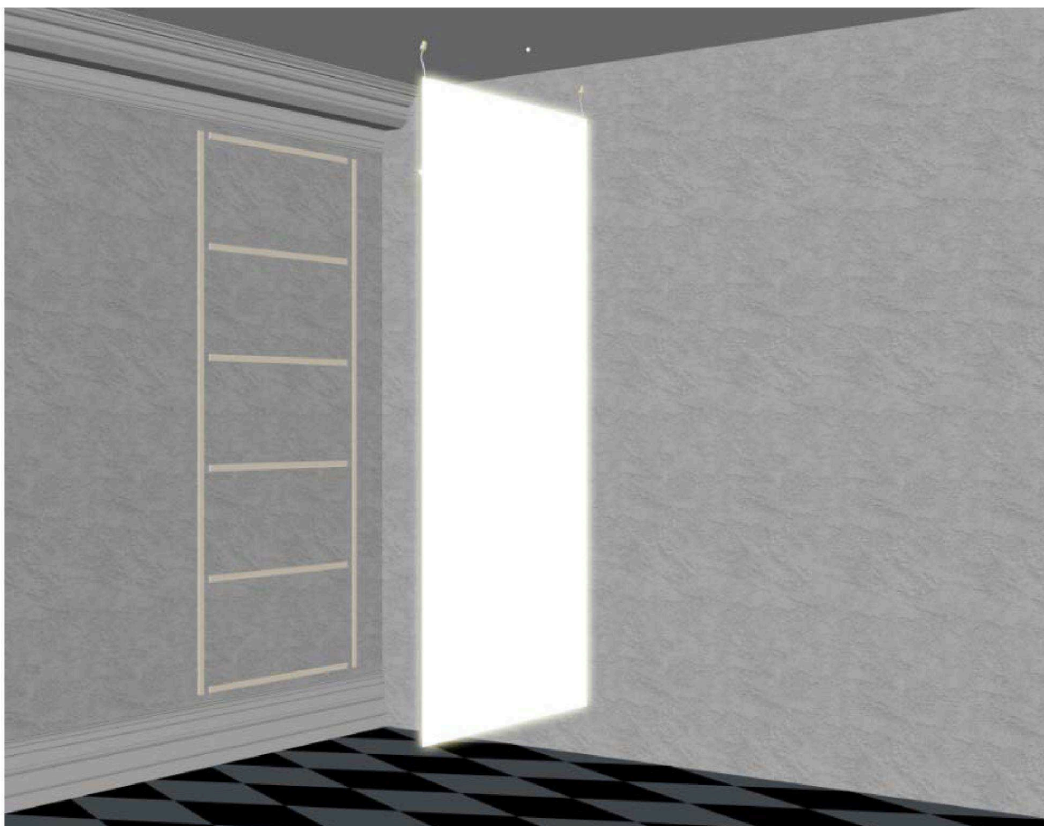
2



**installation**  
*installazione*

**available lengths \***  
*lunghezze (mm)*

- 1) **screw the iron bars on the wall/** avvitare le piattine metalliche alla parete
- 2) **put male + female structural velcron together and adhesive on the iron plates/** attaccare il velcro adesivo maschio+femmina alle piattine metalliche
- 3) **remove the protective film from velcron/** rimuovere il film protettivo dal velcro
- 4) **connect the lighting panel to the AC DC adapter/** connettere il pannello luminoso all' alimentatore
- 5) **put the panel in the right position and press/** posizionare il pannello correttamente e pressare



**uniform lighting custom size / luce uniforme producibile su misura**

Remote forward phase dimming driver, 40W 120VAC primary, 24 V secondary.

**Manufacturer:** Lutron  
**Fixture Line:** Hi-Lume A-Series LTE  
**Fixture:** Forward-Phase Control  
**Catalog #:** LTEA4U1UKL-CV240  
**Mounting:** Surface

**Fixture Voltage:** 120VAC  
**Load Type:** FWD PHASE

**Fixture Specification Notes**

- 1) Contractor to verify location of remote ballasts/ drivers/transformers/power supplies with Architect.
- 2) Verify final capacity and quantity of drivers with application prior to ordering.
- 3) Remote drivers shall be located in a nearby, accessible, well-ventilated, dry, location.



**LED Dimming Driver**

**Hi-lume® A-Series LTE**

**Architectural Dimming**

369543h 1 01.21.15

**Hi-lume® A-Series Driver Overview  
Forward-Phase Control**

Hi-lume® A-Series Driver is a high-performance LED driver that provides smooth, continuous 1% dimming for virtually any LED fixture, whether it requires constant-current or constant-voltage. It is the most versatile LED driver offered today due to its compatibility with a wide variety of LED arrays, multiple form factors, and numerous control options.

**Features**

- Continuous, flicker-free dimming from 100% to 1%.
- Guaranteed compatibility with selected Maestro Wireless®, RadioRA®2, HomeWorks® QS, GRAFIK Eye® QS, GRAFIK Systems™, Quantum®, and C•L® dimmers. Please see **Compatible Controls** chart or contact Lutron for details regarding compatible controls.
- QwikFig™ compatible. For more information please refer to Lutron® P/N 041473 (K and M case only).
- 100% performance tested at factory.
- A rated lifetime of 50,000 hours @  $t_c = 149^\circ\text{F}$  ( $65^\circ\text{C}$ ).
- UL® recognized for United States and Canada.
- Type TL Rated.
- FCC Part 15 compliant for commercial and residential applications at 120 V~.
- Pulse width modulation (PWM) or constant-current reduction (CCR) dimming methods available. See Application Note #360 for details.
- RoHS Compliant
- For more information please go to: [www.lutron.com/HiLumeLED](http://www.lutron.com/HiLumeLED)



**Hi-lume® A-Series, case type K**

3.00 in (76 mm) W x 1.00 in (25 mm) H x 4.90 in (124 mm) L



**Hi-lume® A-Series, case type M**

1.18 in (30 mm) W x 1.00 in (25 mm) H x 14.25 in (362 mm) L



**Hi-lume® A-Series, case type KL**

K-case mounted on a 4.00 in (102 mm) W x 1.50 in (38 mm) H x 4.00 in (102 mm) L junction box to provide UL® listed wiring compartment

**LUTRON® SPECIFICATION SUBMITTAL**

<b>Job Name:</b> <input type="text"/>	<b>Model Numbers:</b> <input type="text"/>	
<b>Job Number:</b> <input type="text"/>	<input type="text"/>	<input type="text"/>

**LED Dimming Driver**

**Hi-lume® A-Series LTE**

**Architectural Dimming**

369543h 2 01.21.15

**Specifications**

**Regulatory Approvals**

- Meets ANSI C62.41 category A surge protection standards up to and including 4 kV.
- FCC Part 15 compliant for commercial and residential applications.
- Manufacturing facilities employ ESD reduction practices that comply with the requirements of ANSI/ESD S20.20.
- Lutron® Quality Systems registered to ISO 9001.2008.
- UL® 8750 recognized.
- UL® 8750 listed form factor available.
- Class 2 output available.
- Models available to meet LED Driver requirements for Energy Star 1.1.
- Type TL Rated.

**UL® 8750 Listed Option**

- cULus® for United States and Canada available for certain operating regions.
- Pre-wired and installation ready.
- See **KL Case: Case Dimensions** page for more specific details regarding UL® listed option.

**Environmental**

- Sound Rating: Inaudible in 27 dB ambient.
- Relative Humidity: Maximum 90% non-condensing.
- Minimum operating ambient temperature ( $t_a$ ) = 32 °F (0 °C).

**Performance**

- Dimming Range: 100% to 1%.
- Operating Voltage: 120 V ~ at 50/60 Hz
- Requires Forward Phase Control; please see **Compatible Controls** chart.
- A rated lifetime of 50,000 hours @  $t_c = 149$  °F (65 °C).  
– For rated warranty,  $t_c$  not to exceed the maximum rated temperatures.<sup>1</sup>
- Patented thermal foldback protection.
- LEDs turn on to any dimmed level without going to full brightness.
- Non-volatile memory restores all driver settings after power failure.
- Power Factor: > 0.90 at 40 W.
- Total Harmonic Distortion (THD): < 20% at 40 W.
- Inrush Current: < 2 A.
- Inrush Current Limiting Circuitry: eliminates circuit breaker tripping, switch arcing and relay failure.
- Open circuit protected.
- Short circuit protected.
- Turn-on time: ≤ 1.5 seconds.<sup>2</sup>
- PWM Dimming Frequency: 550 Hz.

**Driver Wiring & Mounting**

- Driver is grounded by a mounting screw to the grounded fixture (or by terminal connection on the K case).
- Terminal blocks on the driver accept one solid wire per terminal from 18 AWG to 16 AWG (0.75 mm<sup>2</sup> to 1.5 mm<sup>2</sup>).
- Fixture must be grounded in accordance with local and national electrical codes.
- For maximum driver-to-LED light engine wire length, see charts in **Driver Leads** section at the end of the document.

<sup>1</sup> Installer is responsible for ensuring that the driver case temperature does not exceed the maximum rated temperature.

<sup>2</sup> Models available with turn-on time ≤ 1 second.

<b>Job Name:</b> <input type="text"/>	<b>Model Numbers:</b> <input type="text"/>	
<b>Job Number:</b> <input type="text"/>	<input type="text"/>	<input type="text"/>

LED Dimming Driver

Hi-lume® A-Series LTE

Architectural Dimming

369543h 3 01.21.15

**How to Build a Model Number: Hi-lume® A-Series LTE**

**LTEA4U1U**

**Case Size:**

K = Compact  
M = Stick

**Case Style:**

S = Studded  
(K case only)  
N = Non-Studded  
L = UL® Listed  
(K case only)

**Example: LTEA4U1UKS-HC070**

For further assistance selecting your model number, contact our LED Center of Excellence at 1.877.346.5338 or LEDs@lutron.com

**Current Level (for Constant-Current):**

020 = 0.20 A; 021 = 0.21 A...070 = 0.70 A...210 = 2.10 A

**Voltage Level (for Constant-Voltage):**

100 = 10.0 V; 105 = 10.5 V...600 = 60.0 V

**Driver Output:**

C = Constant-current driver  
with pulse width modulation (PWM) dimming  
A = Constant-current driver  
with constant-current reduction (CCR) dimming  
V = Constant-voltage driver  
with pulse width modulation (PWM) dimming

**LED Load Output Range (see the following pages for more detail):**

Class 2 Constant-Voltage

A = 10.0 V–12.0 V  
B = 12.5 V–20.0 V\*  
C = 20.5 V–24.0 V\*  
D = 24.5 V–38.0 V\*

Isolated Non-Class 2 Constant-Voltage

X = 38.5 V–60.0 V\*

Class 2 Constant-Current

E = 0.20 A–0.50 A 30 V–54 V  
F = 0.51 A–1.00 A 30 V–54 V\*  
G = 0.20 A–0.70 A 8 V–20 V  
H = 0.20 A–0.70 A 15 V–38 V  
I = 0.71 A–1.05 A 8 V–20 V  
J = 0.71 A–1.05 A 15 V–38 V  
K = 1.06 A–1.50 A 8 V–20 V  
L = 1.06 A–1.50 A 15 V–38 V\*  
M = 1.51 A–2.10 A 8 V–19.9 V\*

Isolated Non-Class 2 Constant-Current

Y = 0.20 A–0.50 A 30 V–60 V  
Z = 0.51 A–1.00 A 30 V–60 V\*

\* Output parameter is power-limited for these output ranges. Consult detailed specifications on the following pages for each range.

<b>Job Name:</b> <input type="text"/>	<b>Model Numbers:</b> <input type="text"/>	
<b>Job Number:</b> <input type="text"/>	<input type="text"/>	<input type="text"/>

LED Dimming Driver

Hi-lume® A-Series LTE

Architectural Dimming

369543h 4 01.21.15

**How to Build a Bulk Model Number (For use with Lutron® QwikFig™ technology):**  
**Hi-lume® A-Series LTE**

**LTEA4U1U - BLK**

<p><b>Case Size:</b></p> <p>K = Compact M = Stick</p>	<p><b>Bulk Models:</b></p> <p>Coverage based on “LED Load Output Range” from standard non-configurable models shown in the <b>How to Build a Model Number</b> section. Example Standard Model Number: LTEA4U1UKS-<u>HC</u>070 has LED load output range = H</p> <p><u>K-case and M-case</u></p> <p>1A = Covers “LED Load Output Range” Y and Z 2A = Covers “LED Load Output Range” M 3A = Covers “LED Load Output Range” E and F (CCR dimming only)</p> <p><u>K-case only</u></p> <p>2G = Covers “LED Load Output Range” G 2H = Covers “LED Load Output Range” H 2R = Covers “LED Load Output Range” I and K 2S = Covers “LED Load Output Range” J and L</p> <p><u>M-case only</u></p> <p>2B = Covers “LED Load Output Range” H, J, and L 2C = Covers “LED Load Output Range” G, I, and K</p>
<p><b>Case Style:<sup>1</sup></b></p> <p>S = Studded (K-case only) N = Non-Studded (All M-case models)</p>	

**Note:** Only the model numbers falling into the structure listed above can be configured with QwikFig™. Standard model numbers configured at Lutron will not be capable of being reconfigured at another facility.

<sup>1</sup> QwikFig™ bulk drivers are only available as UL® recognized.

<b>Job Name:</b>	<b>Model Numbers:</b>	
<input type="text"/>	<input type="text"/>	<input type="text"/>
<b>Job Number:</b>	<input type="text"/>	<input type="text"/>


LED Dimming Driver

Hi-lume® A-Series LTE

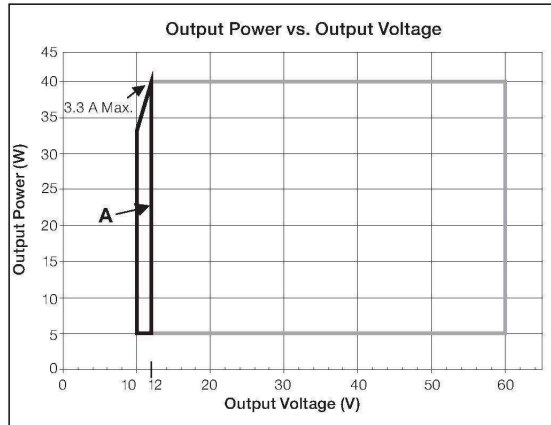
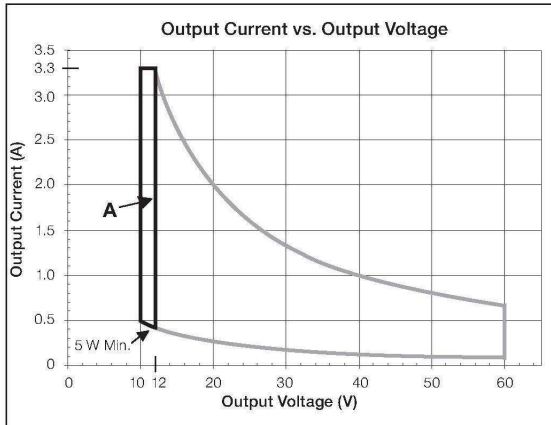
Architectural Dimming

369543h 5 01.21.15

**“A” Output Range, Voltage Driver Models**

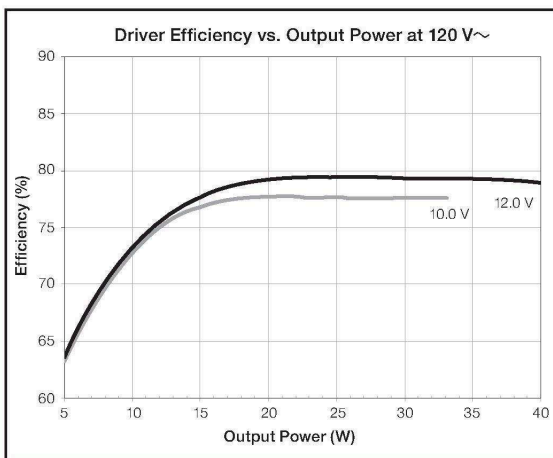
Driver Type	Output Dimming Method	Output Voltage	Output Current	Output Power	Standards Recognition	UL® Listed Option (KL case)
Constant-Voltage Driver (Class 2)	Pulse Width Modulation (PWM)	10.0–12.0 V PWM	0.42–3.3 A	5–40 W		Yes

**Voltage Driver Operation Range:**



**Typical Performance Specifications:**

Parameter	Value	Test Conditions
Input Current	410 mA	t <sub>a</sub> = 25 °C, 12.0 V 40 W load, Maximum Light Output, K case 120 V~ without a dimmer
Power Factor	0.98	
THD	16%	
Driver Efficiency	79%	



Job Name: <input style="width: 95%;" type="text"/>	Model Numbers: <input style="width: 95%;" type="text"/>
Job Number: <input style="width: 95%;" type="text"/>	<input style="width: 95%;" type="text"/>

**LED Dimming Driver**

**Hi-lume® A-Series LTE**

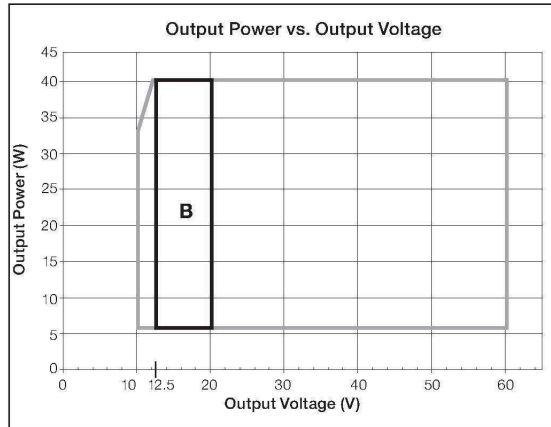
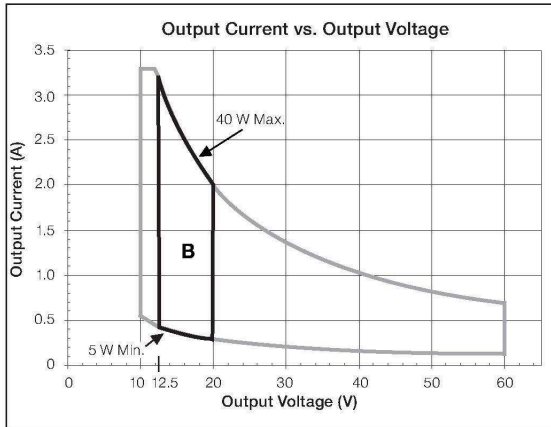
**Architectural Dimming**

369543h 6 01.21.15

**“B” Output Range, Voltage Driver Models**

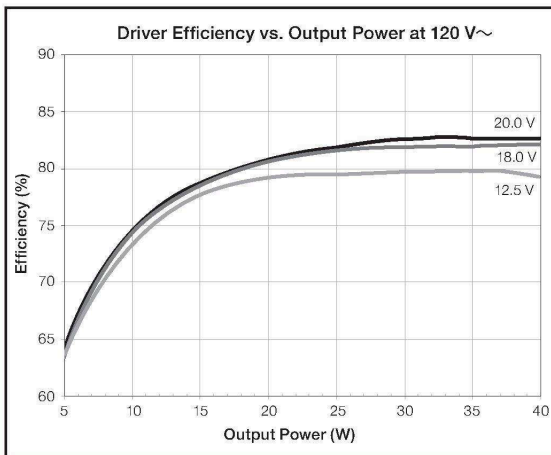
Driver Type	Output Dimming Method	Output Voltage	Output Current	Output Power	Standards Recognition	UL® Listed Option (KL case)
Constant-Voltage Driver (Class 2)	Pulse Width Modulation (PWM)	12.5–20.0 V PWM	0.25–3.2 A	5–40 W		Yes

**Voltage Driver Operation Range:**



**Typical Performance Specifications:**

Parameter	Value	Test Conditions
Input Current	400 mA	t <sub>a</sub> = 25 °C, 20.0 V 40 W load, Max. Light Output, K case 120 V~ without a dimmer
Power Factor	0.99	
THD	9%	
Driver Efficiency	83%	



<b>Job Name:</b> <input type="text"/>	<b>Model Numbers:</b> <input type="text"/>
<b>Job Number:</b> <input type="text"/>	<input type="text"/>


LED Dimming Driver

Hi-lume® A-Series LTE

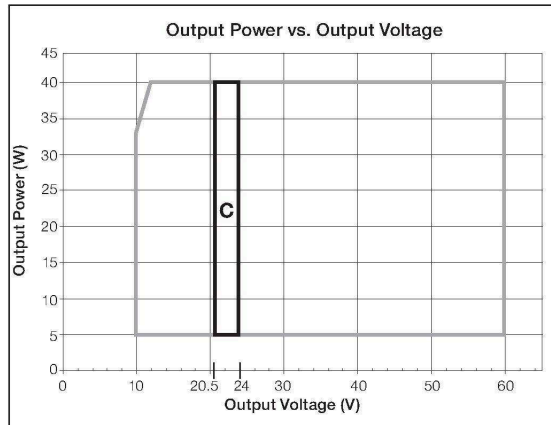
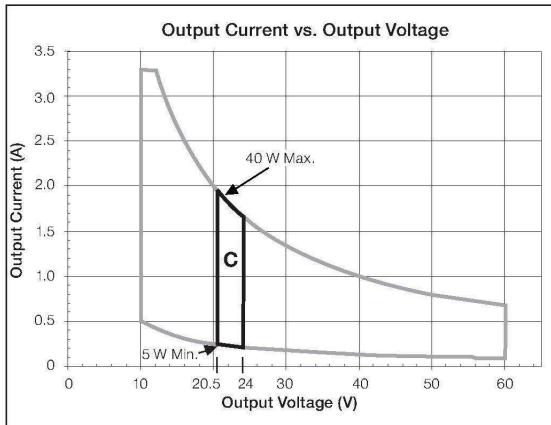
Architectural Dimming

369543h 7 01.21.15

**“C” Output Range, Voltage Driver Models**

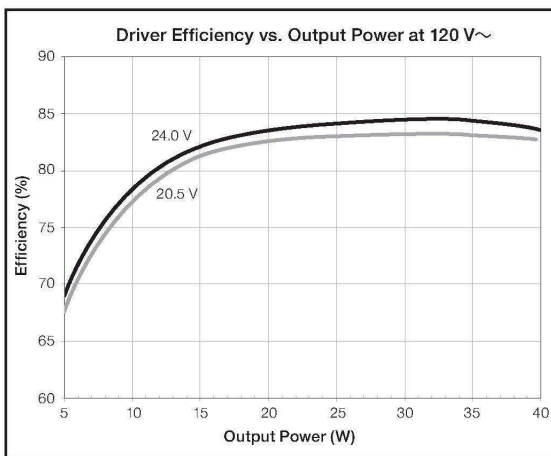
Driver Type	Output Dimming Method	Output Voltage	Output Current	Output Power	Standards Recognition	UL® Listed Option (KL case)
Constant-Voltage Driver (Class 2)	Pulse Width Modulation (PWM)	20.5–24.0 V PWM	0.21–1.95 A	5–40 W		Yes

**Voltage Driver Operation Range:**



**Typical Performance Specifications:**

Parameter	Value	Test Conditions
Input Current	370 mA	t <sub>a</sub> = 25 °C, 24.0 V 40 W load, Maximum Light Output, K case 120 V~ without a dimmer
Power Factor	0.99	
THD	10%	
Driver Efficiency	84%	



Job Name: <input style="width: 95%;" type="text"/>	Model Numbers: <input style="width: 95%;" type="text"/>
Job Number: <input style="width: 95%;" type="text"/>	<input style="width: 95%;" type="text"/>


LED Dimming Driver

Hi-lume® A-Series LTE

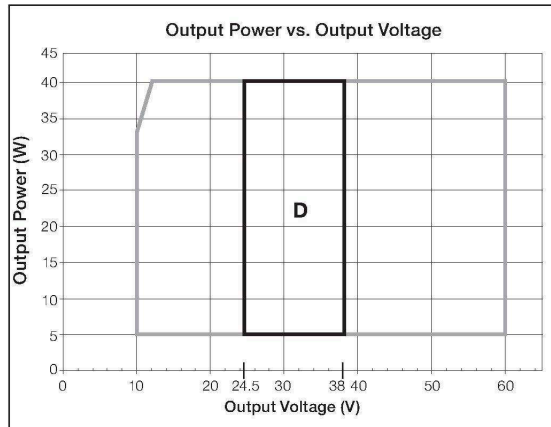
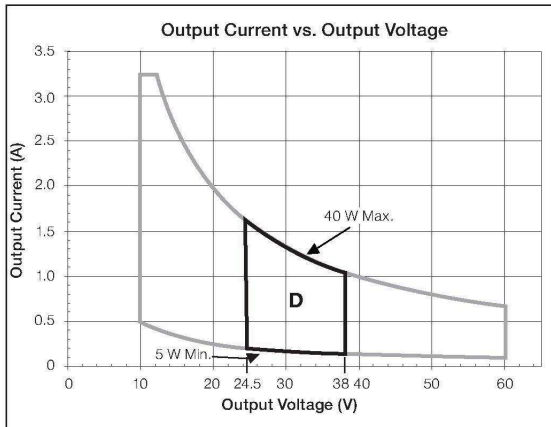
Architectural Dimming

369543h 8 01.21.15

**“D” Output Range, Voltage Driver Models**

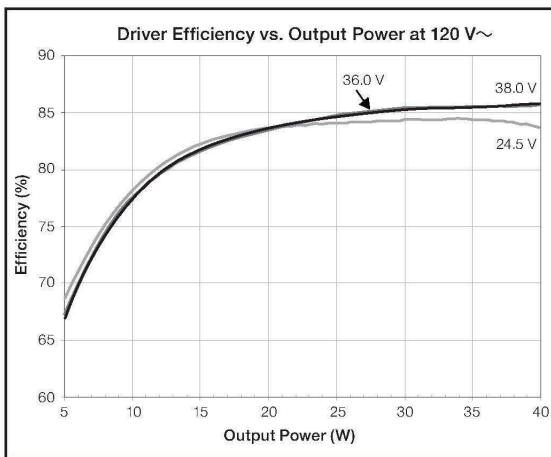
Driver Type	Output Dimming Method	Output Voltage	Output Current	Output Power	Standards Recognition	UL® Listed Option (KL case)
Constant-Voltage Driver (Class 2)	Pulse Width Modulation (PWM)	24.5–38.0 V PWM	0.13–1.63 A	5–40 W		Yes

**Voltage Driver Operation Range:**




**Typical Performance Specifications:**

Parameter	Value	Test Conditions
Input Current	380 mA	$t_a = 25\text{ }^\circ\text{C}$ ,
Power Factor	0.99	38.0 V 40 W load,
THD	7%	Maximum Light Output,
Driver Efficiency	86%	K case
		120 V~ without a dimmer



Job Name:	Model Numbers:	
<input type="text"/>	<input type="text"/>	<input type="text"/>
Job Number:	<input type="text"/>	<input type="text"/>

**“E” Output Range, Current Driver Models**

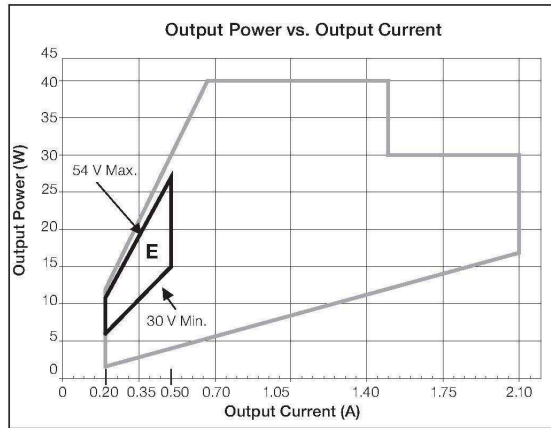
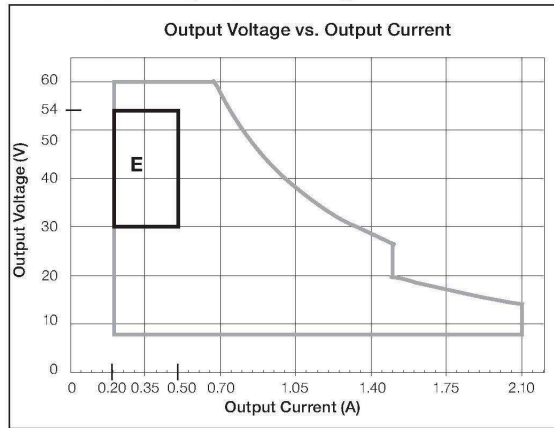
Driver Type	Output Dimming Method	Output Voltage	Output Current	Output Power	Standards Recognition	UL <sup>®</sup> Listed Option (KL case)
Constant-Current Driver (Class 2)	Constant-Current Reduction (CCR)	30–54 V <sup>~</sup>	0.20–0.50 A	6–27 W	 Type TL 82 °/74 °C - K-case Type TL 86 °/72 °C - M-case	Yes

When using QwikFig<sup>™</sup> technology, these models can be built from the following bulk units:

K-case - LTEA4U1UKx-3ABLK\*; M-case - LTEA4U1UMN-3ABLK

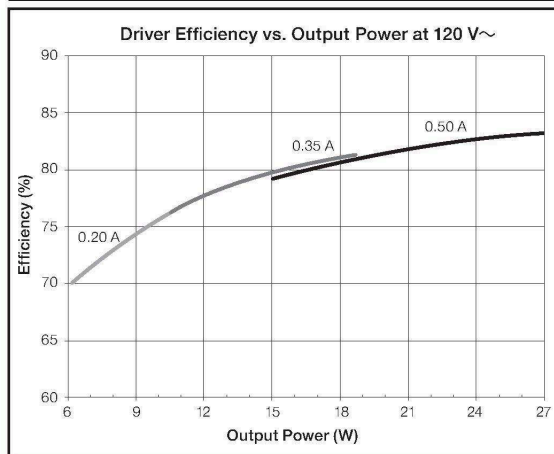
\* x = studed (S) or non-studded (N)

**Current Driver Operation Range:**



**Typical Performance Specifications:**

Parameter	Value	Test Conditions
Input Current	260 mA	$t_a = 25\text{ }^\circ\text{C}$ ,
Power Factor	0.99	0.50 A 27 W load,
THD	10%	Maximum Light Output,
Driver Efficiency	83%	K case
		120 V <sup>~</sup> without a dimmer



Job Name:	Model Numbers:	
<input type="text"/>	<input type="text"/>	<input type="text"/>
Job Number:	<input type="text"/>	<input type="text"/>

**“F” Output Range, Current Driver Models**

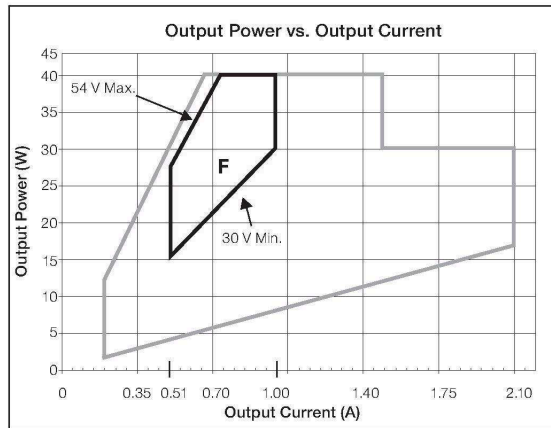
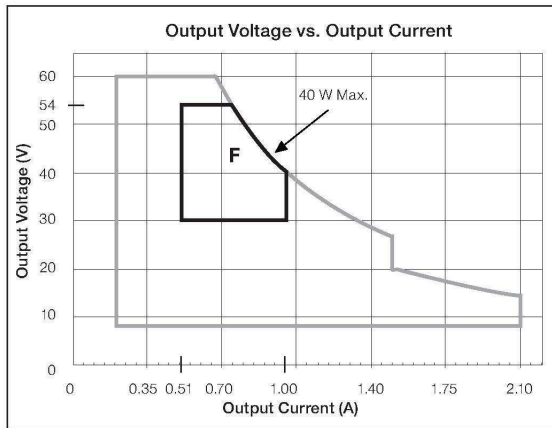
Driver Type	Output Dimming Method	Output Voltage	Output Current	Output Power	Standards Recognition	UL® Listed Option (KL case)
Constant-Current Driver (Class 2)	Constant-Current Reduction (CCR)	30–54 V $\approx$	0.51–1.00 A	15–40 W	<b>UL</b> Type TL 82 °/74 °C - K-case Type TL 86 °/72 °C - M-case	Yes

When using QwikFig™ technology, these models can be built from the following bulk units:

K-case - LTEA4U1UKx-3ABLK\*; M-case - LTEA4U1UMN-3ABLK

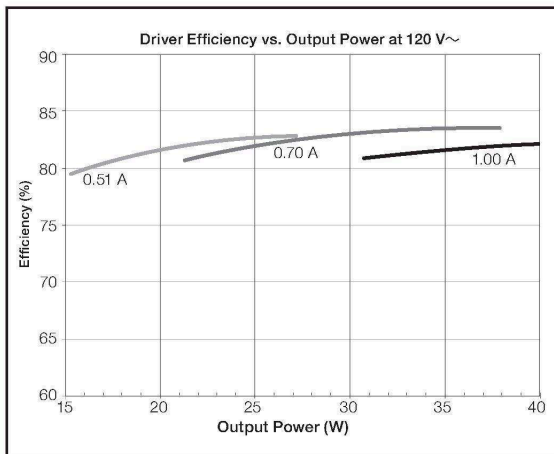
\* x = studded (S) or non-studded (N)

**Current Driver Operation Range:**



**Typical Performance Specifications:**

Parameter	Value	Test Conditions
Input Current	390 mA	$t_a = 25^\circ\text{C}$ ,
Power Factor	0.99	1.00 A 40 W load,
THD	7%	Maximum Light Output,
Driver Efficiency	82%	K case
		120 V $\sim$ without a dimmer



Job Name:	Model Numbers:	
<input type="text"/>	<input type="text"/>	<input type="text"/>
Job Number:	<input type="text"/>	<input type="text"/>

Luminous LED light panel with acrylic lens, custom size, 4" x 100"

*Manufacturer:* Backlight

*Fixture Line:* LED Panel

*Fixture:* LED Panel

*Catalog #:* Magic Cloud-14W-2700K (See notes for size)

*Mounting:* Surface

*Fixture Wattage:* 36w

*Fixture Voltage:* 120VAC

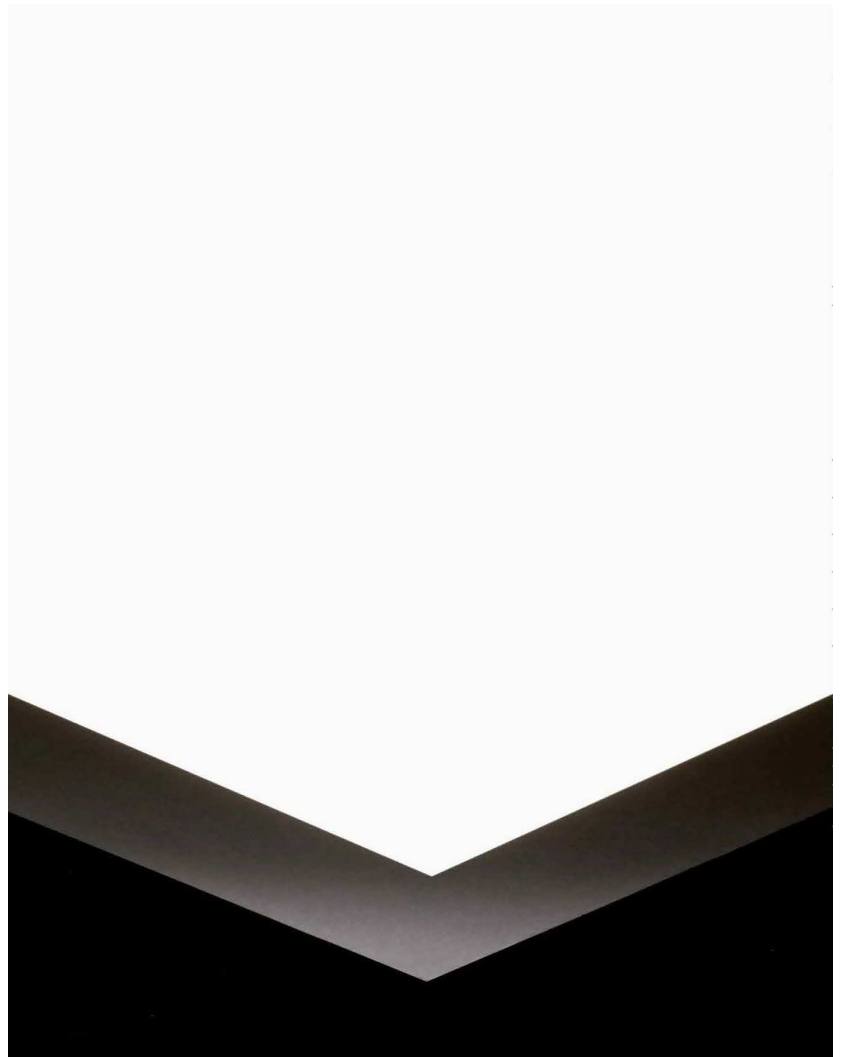
*Load Type:* FWD PHASE

*Driver* Remote dimming LED driver, sized as required per application.

*Lamp Spec:* Integral 2700K LED, 4.3w/ft of longest edge of panel. 80+CRI, 554lm/ft.

**Fixture Specification Notes**

- 1) Verify final lengths and quantities with millwork drawings prior to ordering.
- 2) Fixture shall be furnished with mounting and electrical connection hardware accessories as required for proper installation.
- 3) Lighting supplier shall allow for furnishing samples for bath vanity mockup.
- 4) For availability and pricing contact:  
LitesOn West - 212.775-6363



12

**MAGIC CLOUD**

**background and rear lighting**  
*fondali luminosi*



backlightsrl.com

**BACKLIGHT**

**13**

**background and rear lighting**  
*fondali luminosi*

**MAGIC CLOUD**

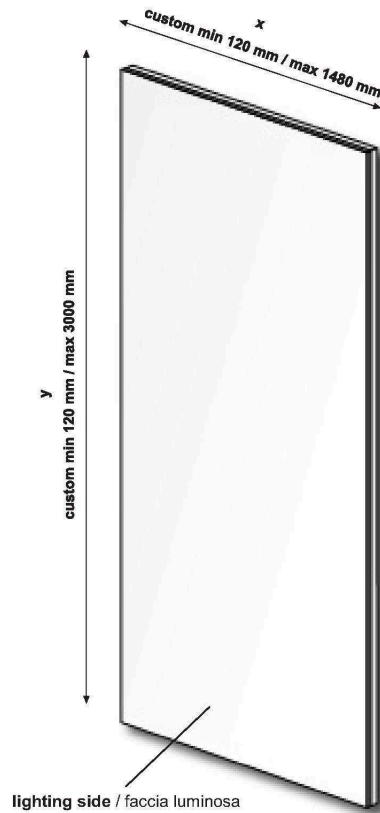
**technical specifications**  
*specifiche tecniche*



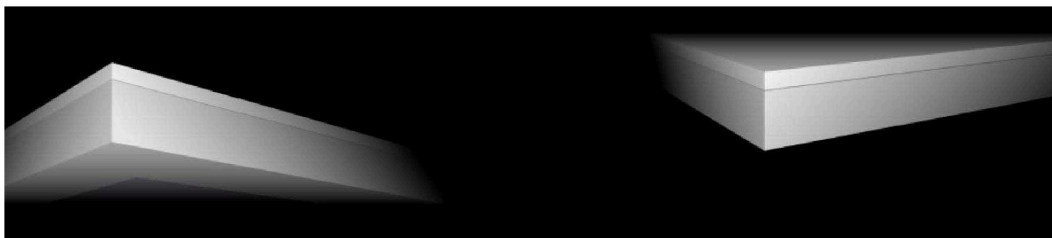
IP54 24 VDC dimmable

**section**  
*sezione*

**available lengths \***  
*lunghezze (mm)*



\* can be manufactured with holes and irregular shapes / puo' essere prodotto con scarichi, fori e in forme irregolari



**uniform lighting custom size / luce uniforme producibile su misura**

backlightsrl.com

BACKLIGHT

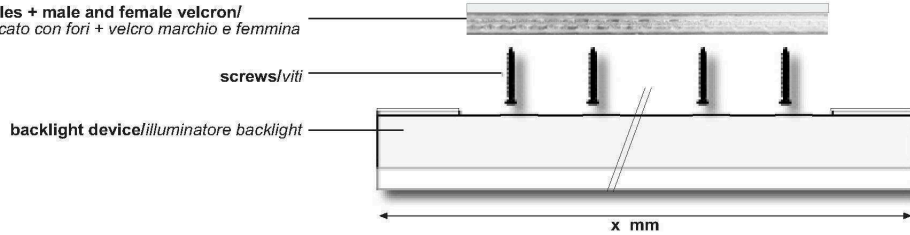
14

**background and rear lighting**  
*fondali luminosi*

**MAGIC CLOUD**

Kit

iron plate with holes + male and female velcron/  
*piattina in ferro zincato con fori + velcro marchio e femmina*



**technical specifications**  
*specifiche tecniche*

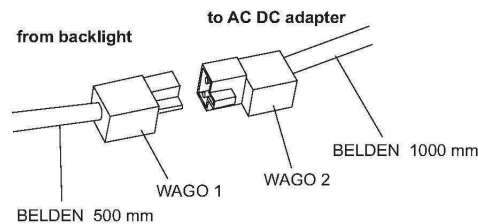
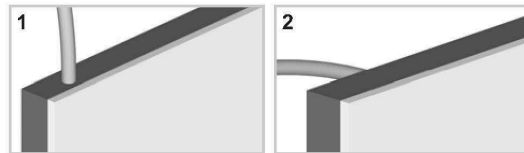


product name <i>nome</i>	standard sections <i>sezioni standard</i>	available lengths * <i>lunghezze (mm)</i>
MAGIC CLOUD	 custom	min 120 x 120 mm max 3000 x 1480 mm

product name <i>nome</i>	weight kg/msq <i>peso kg/mq.</i>	power consumption W <i>assorbimento W</i>	lumen lm/ml <i>pacchetto lumen lm/ml</i>	colour temperature K <i>temperatura colore K</i>
MAGIC CLOUD	22.0	14.0 W per linear mt of the longest side <i>14.0 W ogni mt lineare del lato piu lungo</i>	1820 lm per linear mt of the longest side <i>1820 lm ogni mt lineare del lato piu lungo</i>	<input type="radio"/> 2700
		28.0 W per linear mt of the longest side <i>14.0 W ogni mt lineare del lato piu lungo</i>	3640 lm per linear mt of the longest side <i>3640 lm ogni mt lineare del lato piu lungo</i>	<input type="radio"/> 3200 <input type="radio"/> 3500 <input type="radio"/> 4100 <input type="radio"/> 5000 <input type="radio"/> RGB

**cable options**  
*opzioni uscita cavo*

**cable lenght \***  
*lunghezza cavo*  
\* custom lenght of cables can be made  
*la lunghezza dei cavi può essere richiesta su misura*



**certification of lighting device /certificazioni degli apparecchi luminosi**



**uniform lighting custom size / luce uniforme producibile su misura**

**background and rear lighting**  
*fondali luminosi*

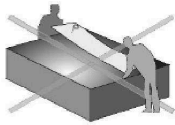
**MAGIC CLOUD**

**technical specifications**  
*specifiche tecniche*



**how handling**  
*come maneggiare*

1



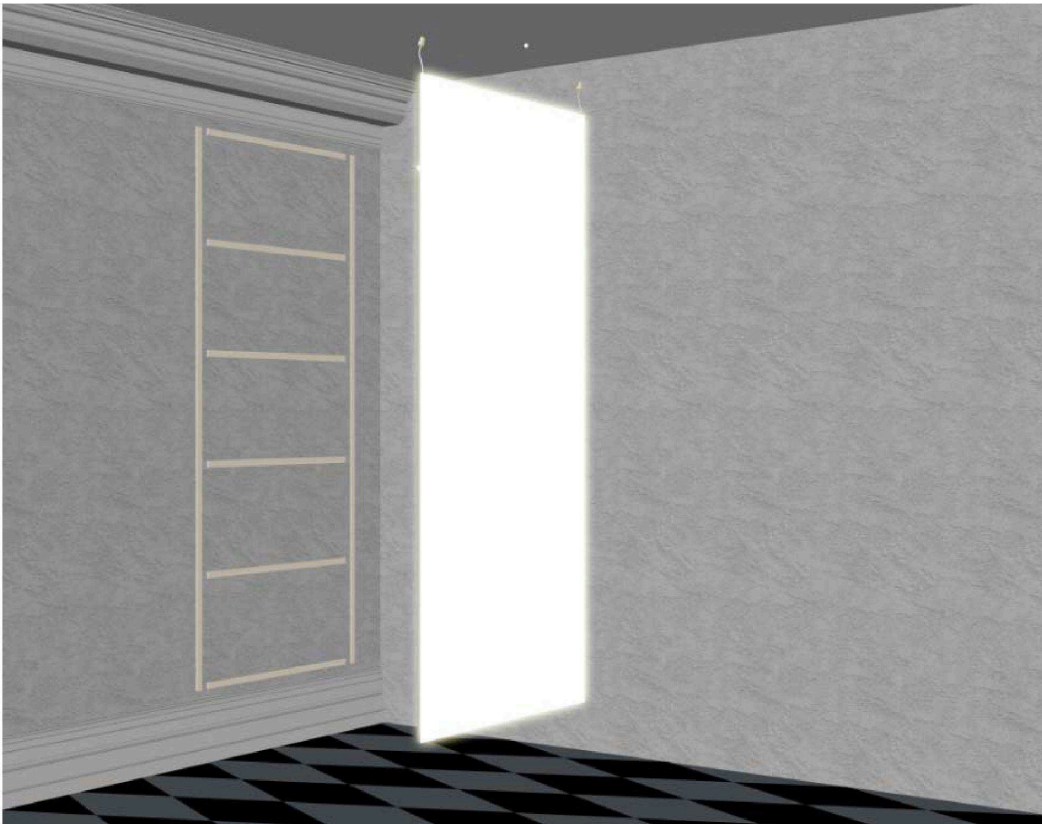
2



**installation**  
*installazione*

**available lengths \***  
*lunghezze (mm)*

- 1) **screw the iron bars on the wall/** avvitare le piattine metalliche alla parete
- 2) **put male + female structural velcron together and adhesive on the iron plates/** attaccare il velcro adesivo maschio+femmina alle piattine metalliche
- 3) **remove the protective film from velcron/** rimuovere il film protettivo dal velcro
- 4) **connect the lighting panel to the AC DC adapter/** connettere il pannello luminoso all' alimentatore
- 5) **put the panel in the right position and press/** posizionare il pannello correttamente e pressare



**uniform lighting custom size / luce uniforme producibile su misura**

Remote forward phase dimming driver, 40W 120VAC primary, 24 V secondary.

**Manufacturer:** Lutron  
**Fixture Line:** Hi-Lume A-Series LTE  
**Fixture:** Forward-Phase Control  
**Catalog #:** LTEA4U1UKL-CV240  
**Mounting:** Surface

**Fixture Voltage:** 120VAC  
**Load Type:** FWD PHASE

**Fixture Specification Notes**

- 1) Contractor to verify location of remote ballasts/ drivers/transformers/power supplies with Architect.
- 2) Verify final capacity and quantity of drivers with application prior to ordering.
- 3) Remote drivers shall be located in a nearby, accessible, well-ventilated, dry, location.



**LED Dimming Driver**

**Hi-lume® A-Series LTE**

**Architectural Dimming**

369543h 1 01.21.15

**Hi-lume® A-Series Driver Overview  
Forward-Phase Control**

Hi-lume® A-Series Driver is a high-performance LED driver that provides smooth, continuous 1% dimming for virtually any LED fixture, whether it requires constant-current or constant-voltage. It is the most versatile LED driver offered today due to its compatibility with a wide variety of LED arrays, multiple form factors, and numerous control options.

**Features**

- Continuous, flicker-free dimming from 100% to 1%.
- Guaranteed compatibility with selected Maestro Wireless®, RadioRA®2, HomeWorks® QS, GRAFIK Eye® QS, GRAFIK Systems™, Quantum®, and C•L® dimmers. Please see **Compatible Controls** chart or contact Lutron for details regarding compatible controls.
- QwikFig™ compatible. For more information please refer to Lutron® P/N 041473 (K and M case only).
- 100% performance tested at factory.
- A rated lifetime of 50,000 hours @  $t_c = 149^\circ\text{F}$  ( $65^\circ\text{C}$ ).
- UL® recognized for United States and Canada.
- Type TL Rated.
- FCC Part 15 compliant for commercial and residential applications at 120 V~.
- Pulse width modulation (PWM) or constant-current reduction (CCR) dimming methods available. See Application Note #360 for details.
- RoHS Compliant
- For more information please go to: [www.lutron.com/HiLumeLED](http://www.lutron.com/HiLumeLED)



**Hi-lume® A-Series, case type K**

3.00 in (76 mm) W x 1.00 in (25 mm) H x 4.90 in (124 mm) L



**Hi-lume® A-Series, case type M**

1.18 in (30 mm) W x 1.00 in (25 mm) H x 14.25 in (362 mm) L



**Hi-lume® A-Series, case type KL**

K-case mounted on a 4.00 in (102 mm) W x 1.50 in (38 mm) H x 4.00 in (102 mm) L junction box to provide UL® listed wiring compartment

**LUTRON® SPECIFICATION SUBMITTAL**

<b>Job Name:</b> <input type="text"/>	<b>Model Numbers:</b> <input type="text"/>	
<b>Job Number:</b> <input type="text"/>	<input type="text"/>	<input type="text"/>

**LED Dimming Driver**

**Hi-lume® A-Series LTE**

**Architectural Dimming**

369543h 2 01.21.15

**Specifications**

**Regulatory Approvals**

- Meets ANSI C62.41 category A surge protection standards up to and including 4 kV.
- FCC Part 15 compliant for commercial and residential applications.
- Manufacturing facilities employ ESD reduction practices that comply with the requirements of ANSI/ESD S20.20.
- Lutron® Quality Systems registered to ISO 9001.2008.
- UL® 8750 recognized.
- UL® 8750 listed form factor available.
- Class 2 output available.
- Models available to meet LED Driver requirements for Energy Star 1.1.
- Type TL Rated.

**UL® 8750 Listed Option**

- cULus® for United States and Canada available for certain operating regions.
- Pre-wired and installation ready.
- See **KL Case: Case Dimensions** page for more specific details regarding UL® listed option.

**Environmental**

- Sound Rating: Inaudible in 27 dB ambient.
- Relative Humidity: Maximum 90% non-condensing.
- Minimum operating ambient temperature ( $t_a$ ) = 32 °F (0 °C).

**Performance**

- Dimming Range: 100% to 1%.
- Operating Voltage: 120 V~ at 50/60 Hz
- Requires Forward Phase Control; please see **Compatible Controls** chart.
- A rated lifetime of 50,000 hours @  $t_c = 149$  °F (65 °C).  
– For rated warranty,  $t_c$  not to exceed the maximum rated temperatures.<sup>1</sup>
- Patented thermal foldback protection.
- LEDs turn on to any dimmed level without going to full brightness.
- Non-volatile memory restores all driver settings after power failure.
- Power Factor: > 0.90 at 40 W.
- Total Harmonic Distortion (THD): < 20% at 40 W.
- Inrush Current: < 2 A.
- Inrush Current Limiting Circuitry: eliminates circuit breaker tripping, switch arcing and relay failure.
- Open circuit protected.
- Short circuit protected.
- Turn-on time: ≤ 1.5 seconds.<sup>2</sup>
- PWM Dimming Frequency: 550 Hz.

**Driver Wiring & Mounting**

- Driver is grounded by a mounting screw to the grounded fixture (or by terminal connection on the K case).
- Terminal blocks on the driver accept one solid wire per terminal from 18 AWG to 16 AWG (0.75 mm<sup>2</sup> to 1.5 mm<sup>2</sup>).
- Fixture must be grounded in accordance with local and national electrical codes.
- For maximum driver-to-LED light engine wire length, see charts in **Driver Leads** section at the end of the document.

<sup>1</sup> Installer is responsible for ensuring that the driver case temperature does not exceed the maximum rated temperature.

<sup>2</sup> Models available with turn-on time ≤ 1 second.

<b>Job Name:</b> <input type="text"/>	<b>Model Numbers:</b> <input type="text"/>	
<b>Job Number:</b> <input type="text"/>	<input type="text"/>	<input type="text"/>

LED Dimming Driver

Hi-lume® A-Series LTE

Architectural Dimming

369543h 3 01.21.15

**How to Build a Model Number: Hi-lume® A-Series LTE**

**LTEA4U1U**

**Case Size:**

K = Compact  
M = Stick

**Case Style:**

S = Studded  
(K case only)  
N = Non-Studded  
L = UL® Listed  
(K case only)

**Example: LTEA4U1UKS-HC070**

For further assistance selecting your model number, contact our LED Center of Excellence at 1.877.346.5338 or LEDs@lutron.com

**Current Level (for Constant-Current):**

020 = 0.20 A; 021 = 0.21 A...070 = 0.70 A...210 = 2.10 A

**Voltage Level (for Constant-Voltage):**

100 = 10.0 V; 105 = 10.5 V...600 = 60.0 V

**Driver Output:**

C = Constant-current driver  
with pulse width modulation (PWM) dimming  
A = Constant-current driver  
with constant-current reduction (CCR) dimming  
V = Constant-voltage driver  
with pulse width modulation (PWM) dimming

**LED Load Output Range (see the following pages for more detail):**

Class 2 Constant-Voltage

A = 10.0 V–12.0 V  
B = 12.5 V–20.0 V\*  
C = 20.5 V–24.0 V\*  
D = 24.5 V–38.0 V\*

Isolated Non-Class 2 Constant-Voltage

X = 38.5 V–60.0 V\*

Class 2 Constant-Current

E = 0.20 A–0.50 A 30 V–54 V  
F = 0.51 A–1.00 A 30 V–54 V\*  
G = 0.20 A–0.70 A 8 V–20 V  
H = 0.20 A–0.70 A 15 V–38 V  
I = 0.71 A–1.05 A 8 V–20 V  
J = 0.71 A–1.05 A 15 V–38 V  
K = 1.06 A–1.50 A 8 V–20 V  
L = 1.06 A–1.50 A 15 V–38 V\*  
M = 1.51 A–2.10 A 8 V–19.9 V\*

Isolated Non-Class 2 Constant-Current

Y = 0.20 A–0.50 A 30 V–60 V  
Z = 0.51 A–1.00 A 30 V–60 V\*

\* Output parameter is power-limited for these output ranges. Consult detailed specifications on the following pages for each range.

Job Name:	Model Numbers:	
<input type="text"/>	<input type="text"/>	<input type="text"/>
Job Number:	<input type="text"/>	<input type="text"/>

LED Dimming Driver

Hi-lume® A-Series LTE

Architectural Dimming

369543h 4 01.21.15

**How to Build a Bulk Model Number (For use with Lutron® QwikFig™ technology):**  
**Hi-lume® A-Series LTE**

**LTEA4U1U - BLK**

<p><b>Case Size:</b></p> <p>K = Compact M = Stick</p>	<p><b>Bulk Models:</b></p> <p>Coverage based on “LED Load Output Range” from standard non-configurable models shown in the <b>How to Build a Model Number</b> section. Example Standard Model Number: LTEA4U1UKS-<u>HC</u>070 has LED load output range = H</p> <p><u>K-case and M-case</u></p> <p>1A = Covers “LED Load Output Range” Y and Z 2A = Covers “LED Load Output Range” M 3A = Covers “LED Load Output Range” E and F (CCR dimming only)</p> <p><u>K-case only</u></p> <p>2G = Covers “LED Load Output Range” G 2H = Covers “LED Load Output Range” H 2R = Covers “LED Load Output Range” I and K 2S = Covers “LED Load Output Range” J and L</p> <p><u>M-case only</u></p> <p>2B = Covers “LED Load Output Range” H, J, and L 2C = Covers “LED Load Output Range” G, I, and K</p>
<p><b>Case Style:<sup>1</sup></b></p> <p>S = Studded (K-case only) N = Non-Studded (All M-case models)</p>	

**Note:** Only the model numbers falling into the structure listed above can be configured with QwikFig™. Standard model numbers configured at Lutron will not be capable of being reconfigured at another facility.

<sup>1</sup> QwikFig™ bulk drivers are only available as UL® recognized.

<b>Job Name:</b>	<b>Model Numbers:</b>	
<input type="text"/>	<input type="text"/>	<input type="text"/>
<b>Job Number:</b>	<input type="text"/>	<input type="text"/>


LED Dimming Driver

Hi-lume® A-Series LTE

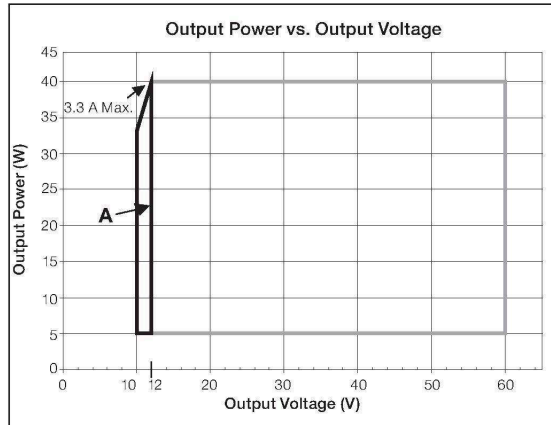
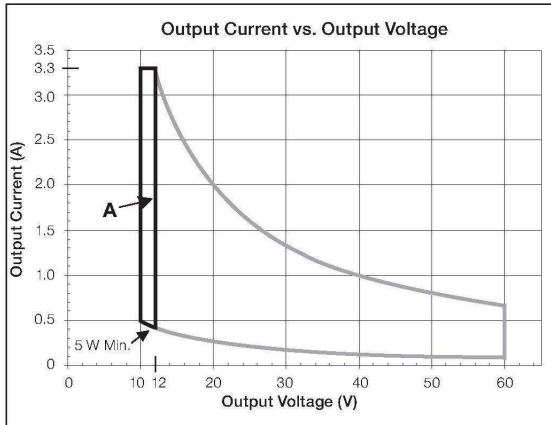
Architectural Dimming

369543h 5 01.21.15

**“A” Output Range, Voltage Driver Models**

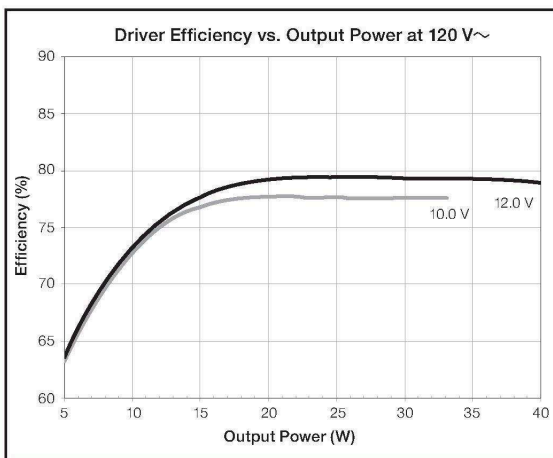
Driver Type	Output Dimming Method	Output Voltage	Output Current	Output Power	Standards Recognition	UL® Listed Option (KL case)
Constant-Voltage Driver (Class 2)	Pulse Width Modulation (PWM)	10.0–12.0 V PWM	0.42–3.3 A	5–40 W		Yes

**Voltage Driver Operation Range:**



**Typical Performance Specifications:**

Parameter	Value	Test Conditions
Input Current	410 mA	t <sub>a</sub> = 25 °C, 12.0 V 40 W load, Maximum Light Output, K case 120 V~ without a dimmer
Power Factor	0.98	
THD	16%	
Driver Efficiency	79%	



Job Name: <input style="width: 95%;" type="text"/>	Model Numbers: <input style="width: 95%;" type="text"/>
Job Number: <input style="width: 95%;" type="text"/>	<input style="width: 95%;" type="text"/>


**LED Dimming Driver**

**Hi-lume® A-Series LTE**

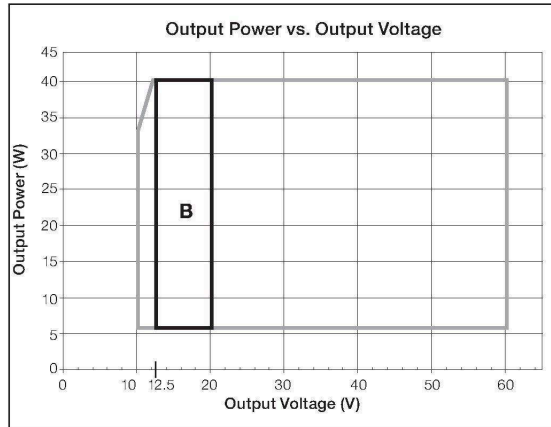
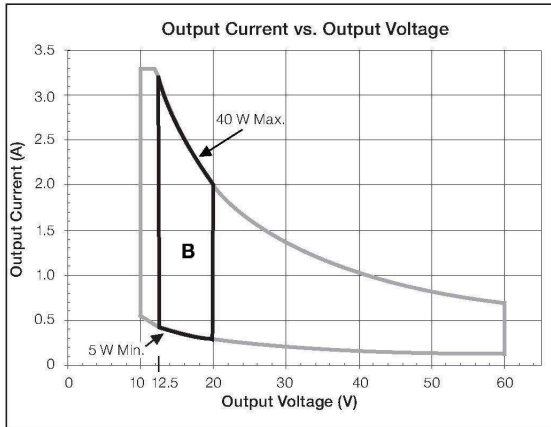
**Architectural Dimming**

369543h 6 01.21.15

**“B” Output Range, Voltage Driver Models**

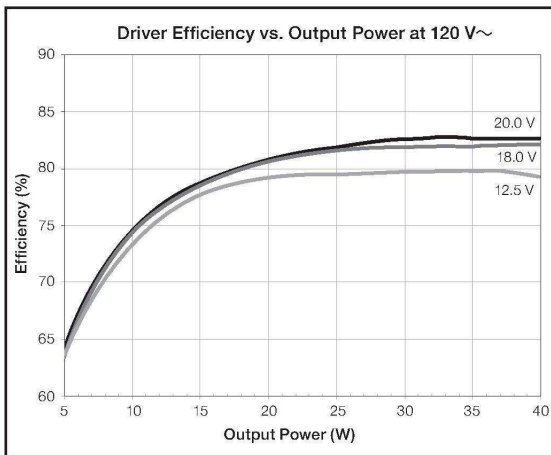
Driver Type	Output Dimming Method	Output Voltage	Output Current	Output Power	Standards Recognition	UL® Listed Option (KL case)
Constant-Voltage Driver (Class 2)	Pulse Width Modulation (PWM)	12.5–20.0 V PWM	0.25–3.2 A	5–40 W		Yes

**Voltage Driver Operation Range:**



**Typical Performance Specifications:**

Parameter	Value	Test Conditions
Input Current	400 mA	t <sub>a</sub> = 25 °C, 20.0 V 40 W load, Max. Light Output, K case 120 V~ without a dimmer
Power Factor	0.99	
THD	9%	
Driver Efficiency	83%	



<b>Job Name:</b> <input type="text"/>	<b>Model Numbers:</b> <input type="text"/>	
<b>Job Number:</b> <input type="text"/>	<input type="text"/>	<input type="text"/>


LED Dimming Driver

Hi-lume® A-Series LTE

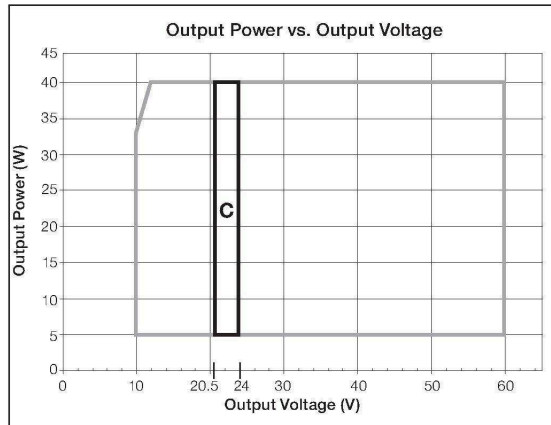
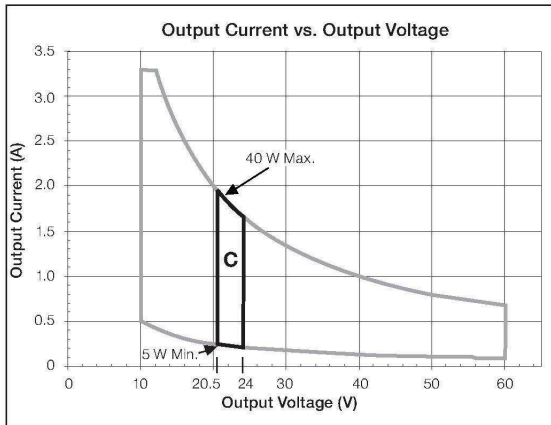
Architectural Dimming

369543h 7 01.21.15

**“C” Output Range, Voltage Driver Models**

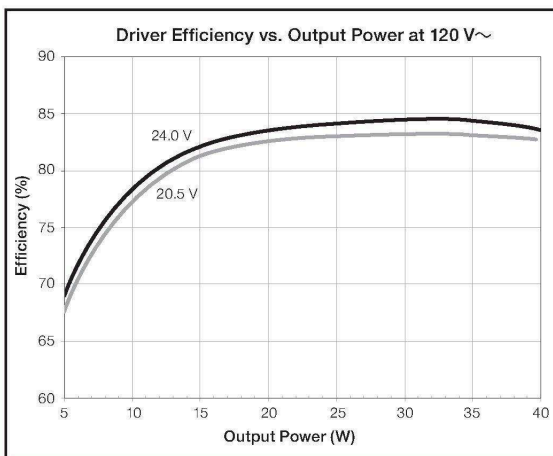
Driver Type	Output Dimming Method	Output Voltage	Output Current	Output Power	Standards Recognition	UL® Listed Option (KL case)
Constant-Voltage Driver (Class 2)	Pulse Width Modulation (PWM)	20.5–24.0 V PWM	0.21–1.95 A	5–40 W		Yes

**Voltage Driver Operation Range:**



**Typical Performance Specifications:**

Parameter	Value	Test Conditions
Input Current	370 mA	t <sub>a</sub> = 25 °C, 24.0 V 40 W load, Maximum Light Output, K case 120 V~ without a dimmer
Power Factor	0.99	
THD	10%	
Driver Efficiency	84%	



Job Name: <input style="width: 95%;" type="text"/>	Model Numbers: <input style="width: 95%;" type="text"/>	
Job Number: <input style="width: 95%;" type="text"/>	<input style="width: 95%;" type="text"/>	<input style="width: 95%;" type="text"/>


LED Dimming Driver

Hi-lume® A-Series LTE

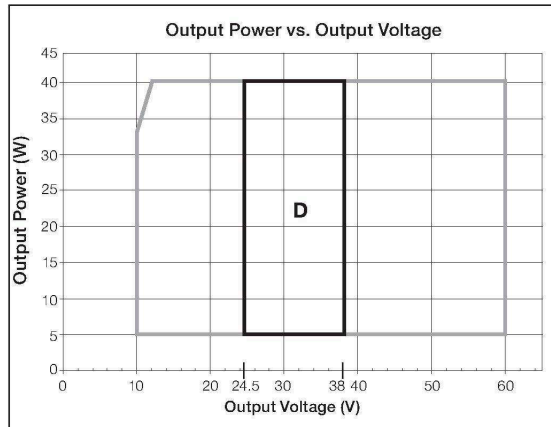
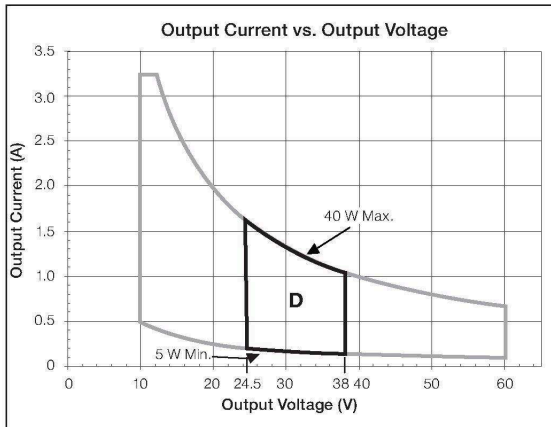
Architectural Dimming

369543h 8 01.21.15

**“D” Output Range, Voltage Driver Models**

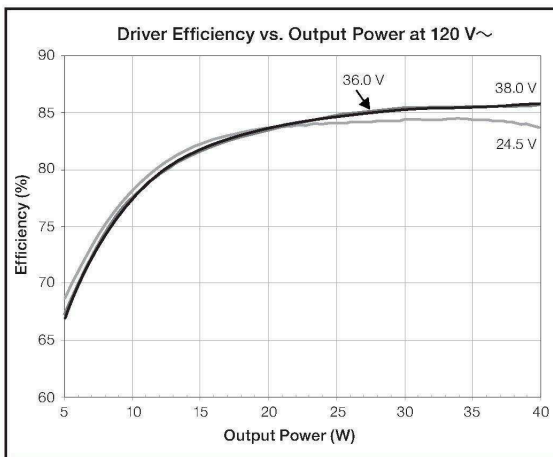
Driver Type	Output Dimming Method	Output Voltage	Output Current	Output Power	Standards Recognition	UL® Listed Option (KL case)
Constant-Voltage Driver (Class 2)	Pulse Width Modulation (PWM)	24.5–38.0 V PWM	0.13–1.63 A	5–40 W		Yes

**Voltage Driver Operation Range:**




**Typical Performance Specifications:**

Parameter	Value	Test Conditions
Input Current	380 mA	$t_a = 25\text{ }^\circ\text{C}$ ,
Power Factor	0.99	38.0 V 40 W load,
THD	7%	Maximum Light Output,
Driver Efficiency	86%	K case
		120 V~ without a dimmer



Job Name:	Model Numbers:	
<input type="text"/>	<input type="text"/>	<input type="text"/>
Job Number:	<input type="text"/>	<input type="text"/>

**“E” Output Range, Current Driver Models**

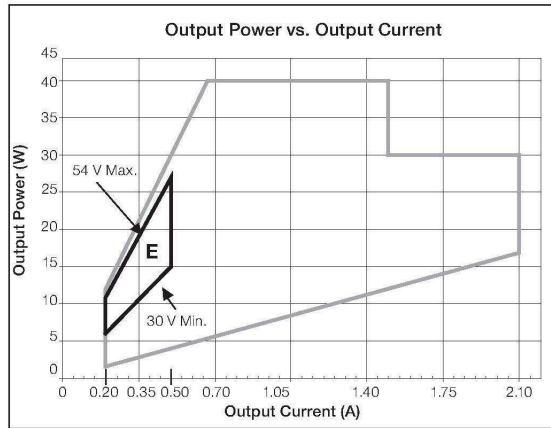
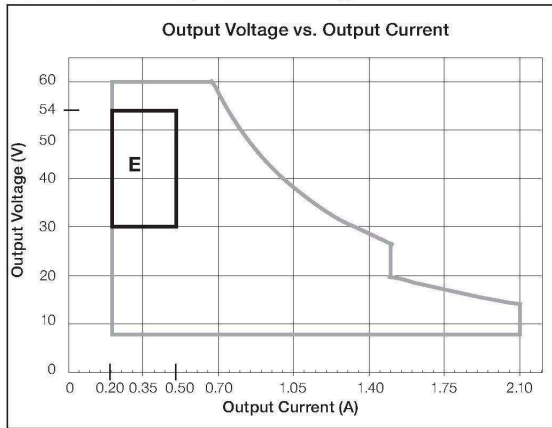
Driver Type	Output Dimming Method	Output Voltage	Output Current	Output Power	Standards Recognition	UL® Listed Option (KL case)
Constant-Current Driver (Class 2)	Constant-Current Reduction (CCR)	30–54 V $\sim$	0.20–0.50 A	6–27 W	 Type TL 82 °/74 °C - K-case Type TL 86 °/72 °C - M-case	Yes

When using QwikFig™ technology, these models can be built from the following bulk units:

K-case - LTEA4U1UKx-3ABLK\*; M-case - LTEA4U1UMN-3ABLK

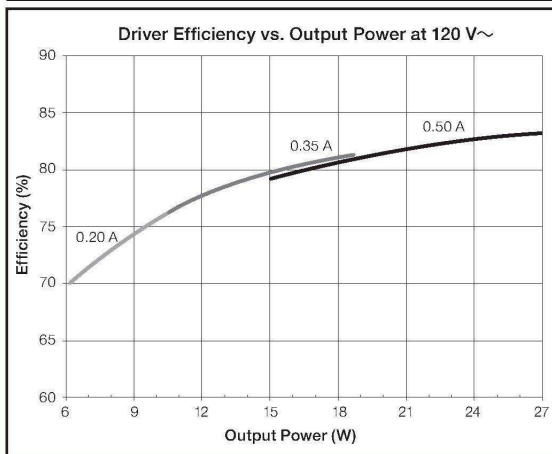
\* x = studed (S) or non-studded (N)

**Current Driver Operation Range:**



**Typical Performance Specifications:**

Parameter	Value	Test Conditions
Input Current	260 mA	$t_a = 25\text{ }^\circ\text{C}$ ,
Power Factor	0.99	0.50 A 27 W load,
THD	10%	Maximum Light Output,
Driver Efficiency	83%	K case
		120 V $\sim$ without a dimmer



Job Name:	Model Numbers:	
<input type="text"/>	<input type="text"/>	<input type="text"/>
Job Number:	<input type="text"/>	<input type="text"/>

**“F” Output Range, Current Driver Models**

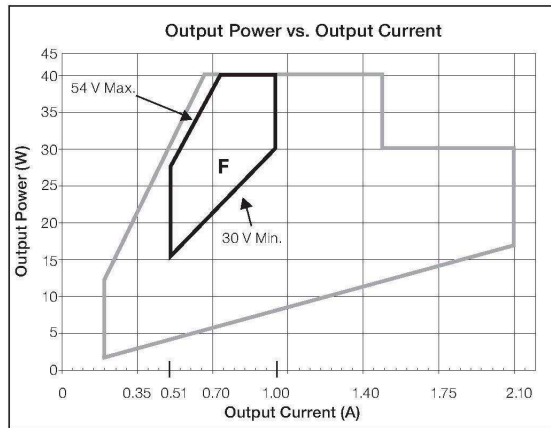
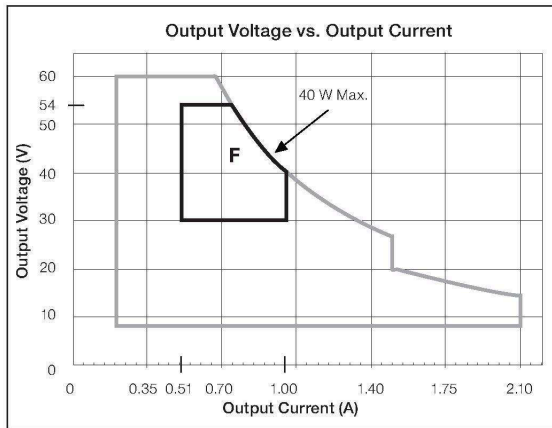
Driver Type	Output Dimming Method	Output Voltage	Output Current	Output Power	Standards Recognition	UL® Listed Option (KL case)
Constant-Current Driver (Class 2)	Constant-Current Reduction (CCR)	30–54 V $\approx$	0.51–1.00 A	15–40 W	<b>UL</b> Type TL 82 °/74 °C - K-case Type TL 86 °/72 °C - M-case	Yes

When using QwikFig™ technology, these models can be built from the following bulk units:

K-case - LTEA4U1UKx-3ABLK\*; M-case - LTEA4U1UMN-3ABLK

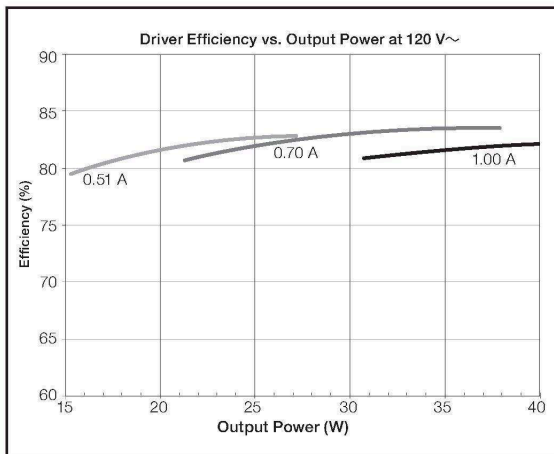
x = studded (S) or non-studded (N)

**Current Driver Operation Range:**



**Typical Performance Specifications:**

Parameter	Value	Test Conditions
Input Current	390 mA	$t_a = 25^\circ\text{C}$ ,
Power Factor	0.99	1.00 A 40 W load,
THD	7%	Maximum Light Output,
Driver Efficiency	82%	K case
		120 V $\sim$ without a dimmer



Job Name:	Model Numbers:	
<input type="text"/>	<input type="text"/>	<input type="text"/>
Job Number:	<input type="text"/>	<input type="text"/>

Small profile LED nightlight. 1.7" diameter, .4" tall. Polished stainless steel finish. Wet listed.

*Manufacturer:* Cantalupi Lighting

*Fixture Line:* Carpi

*Fixture:* Wet Location Accent Light

*Catalog #:* Y0-CARPI-L03WA-SA-SS-13-M000

*Fixture Wattage:* 3w

*Fixture Voltage:* 120VAC

*Load Type:* NON-DIM

*Driver* Requires remote constant current LED driver.

*Lamp Spec:* Integral LED

**Fixture Specification Notes**

- 1) Verify finish with Architect prior to ordering.



**Carpi**  
Stainless Steel

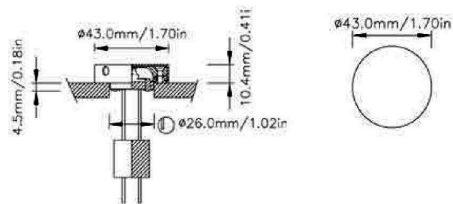


**Beautifully Simple**

- Suitable For Wet Locations
- Perfect Glow
- Pure Stainless Steel 316L
- Adding A Higher Standard Of Quality To The Area
- Easy To Install



**Measurements**



**Product Information**

**Carpi - Stainless Steel**

Product ID: #Y0-CARPI-L03WA-SA-SS-13-M000

**Also Available In**

OPTION/PRODUCT ID#

**Stainless Steel / #Y0-CARPI-L03WA-SA-SS-13-M000**

The Manufacturer Reserves The Right To Change Or Modify The Design, Dimensions, And Photometric Information At Any Time Without Notice. Manufacturer Accepts No Liability For Consequential Damage Which Is Occasioned To The User Based On The Data Provided.

Surface mount linear LED strip, 96" linear fixture with frosted lens, finished white .

*Manufacturer:* Viabizzuno

*Fixture Line:* 13x8

*Fixture:* Linear Lensed LED

*Catalog #:* 89 24-27-LE

*Watts/LF:* 5w

*Fixture Voltage:* 24V

*Load Type:* MLV

*Lamp Spec:* 5.3W/ft Integral 2700K LED, 90+ CRI

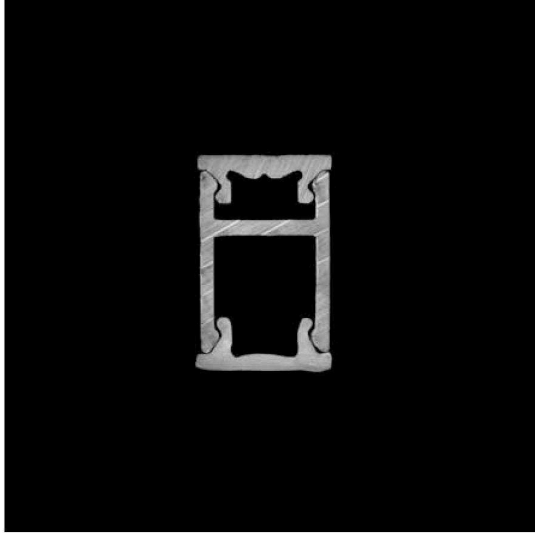
*Lamp Voltage:* 24V

**Fixture Specification Notes**

- 1) Verify final lengths and quantities with millwork drawings prior to ordering.
- 2) Fixture shall be furnished with mounting and electrical connection hardware accessories as required for proper installation.

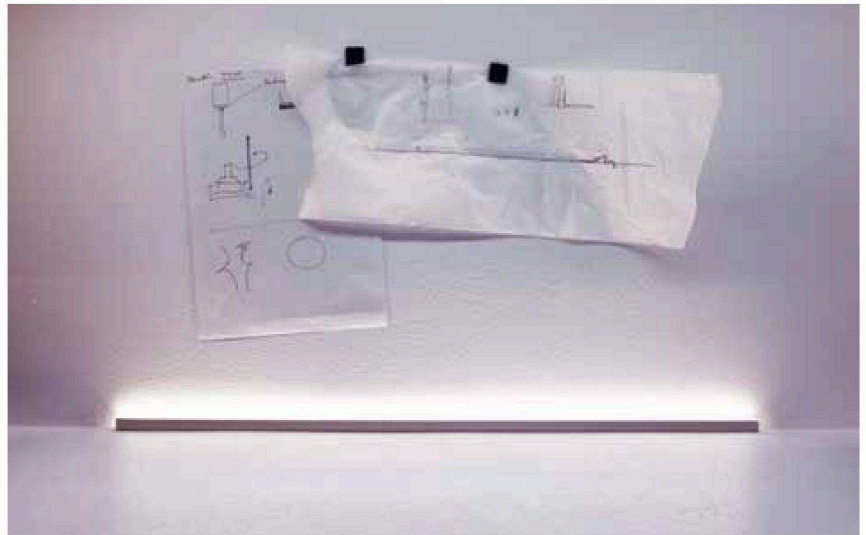
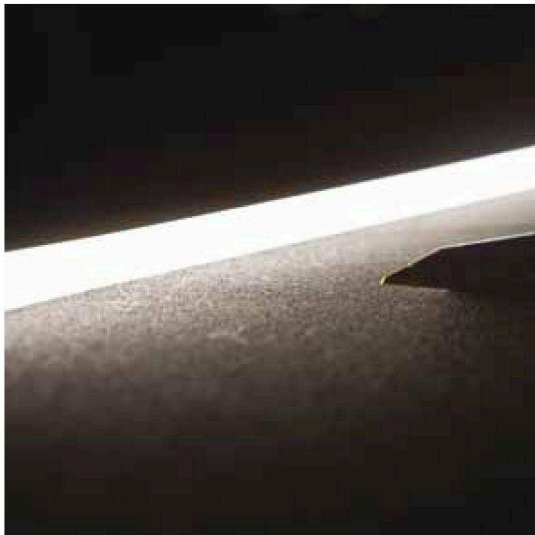


**13x8** mario nanni 2010



light fitting for indoor use suitable for wall and ceiling mounting. made up of a H-shaped profile available in matt silver anodized aluminum, it has a 13x8mm section and is long from 4.33" to 83" with a 3.93" pitch. the lower part of the extruded profile is lid with a cover to facilitate the wall mounting and has a polycarbonate extruded diffuser at the top to ensure uniform lighting. it has a amp2 connector and is fitted with 3000K linear led, 16W per meter 24Vdc.

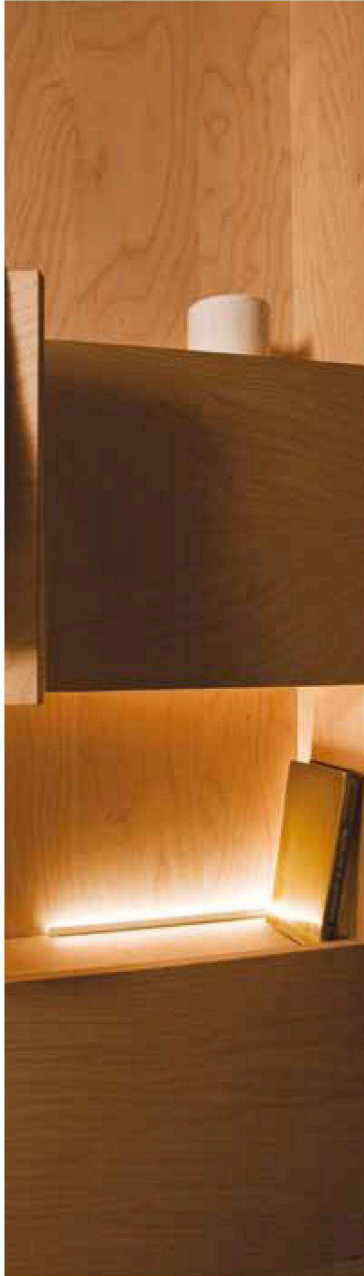
cuerpo iluminante en plafón para interiores formado por un perfil en H disponible en los acabados aluminio anodizado plateado opaco, con una sección de 13x8mm y una longitud de 4.33" a 83" con tramos de 3.93". el perfil se cierra con una tapa en la parte inferior del extruido para facilitar la fijación a la pared y con un difusor en policarbonato extruido en la parte superior para difundir la luz en modo homogéneo. preajustado con conector amp2, lleva led lineal de 3000K, 16W por metro 24Vcc.





13x8		24Vdc			
<b>F6.204.01</b>	led 3000K led 3000K	1,3W	110mm/4.3"	0,04	
<b>F6.204.02</b>	led 3000K led 3000K	2,6W	210mm/8.3"	0,07	
<b>F6.204.03</b>	led 3000K led 3000K	3,9W	310mm/12.2"	0,10	
<b>F6.204.04</b>	led 3000K led 3000K	5,2W	410mm/16.1"	0,13	
<b>F6.204.05</b>	led 3000K led 3000K	6,5W	510mm/20.12"	0,16	
<b>F6.204.06</b>	led 3000K led 3000K	7,8W	610mm/24.1"	0,20	
<b>F6.204.07</b>	led 3000K led 3000K	9,1W	710mm/27.9"	0,23	
<b>F6.204.08</b>	led 3000K led 3000K	10,4W	810mm/31.9"	0,26	
<b>F6.204.09</b>	led 3000K led 3000K	11,7W	910mm/35.8"	0,29	
<b>F6.204.10</b>	led 3000K led 3000K	13W	1010mm/39.8"	0,33	
<b>F6.204.11</b>	led 3000K led 3000K	14,3W	1110mm/43.7"	0,36	
<b>F6.204.12</b>	led 3000K led 3000K	15,6W	1210mm/47.6"	0,39	
<b>F6.204.13</b>	led 3000K led 3000K	16,9W	1310mm/51.6"	0,42	
<b>F6.204.14</b>	led 3000K led 3000K	18,2W	1410mm/55.5"	0,45	
<b>F6.204.15</b>	led 3000K led 3000K	19,5W	1510mm/59.4"	0,49	
<b>F6.204.16</b>	led 3000K led 3000K	20,8W	1610mm/63.4"	0,52	
<b>F6.204.17</b>	led 3000K led 3000K	22,1W	1710mm/67.3"	0,55	
<b>F6.204.18</b>	led 3000K led 3000K	23,4W	1810mm/71.3"	0,58	
<b>F6.204.19</b>	led 3000K led 3000K	24,7W	1910mm/75.2"	0,62	
<b>F6.204.20</b>	led 3000K led 3000K	26W	2010mm/79.1"	0,65	
<b>F6.204.21</b>	led 3000K led 3000K	27,3W	2110mm/83.1"	0,68	

n. 2 m/f amp2 connectors - n. 2 conectores macho/hembra amp2



13x8		24Vdc	ⓧ	⚠	Ⓢ	🔋
<b>F6.204.31</b>	led 3000K led 3000K	1,3W		110mm/4.3"	0,04	
<b>F6.204.32</b>	led 3000K led 3000K	2,6W		210mm/8.3"	0,07	
<b>F6.204.33</b>	led 3000K led 3000K	3,9W		310mm/12.2"	0,10	
<b>F6.204.34</b>	led 3000K led 3000K	5,2W		410mm/16.1"	0,13	
<b>F6.204.35</b>	led 3000K led 3000K	6,5W		510mm/20.12	0,16	
<b>F6.204.36</b>	led 3000K led 3000K	7,8W		610mm/24.1"	0,20	
<b>F6.204.37</b>	led 3000K led 3000K	9,1W		710mm/27.9"	0,23	
<b>F6.204.38</b>	led 3000K led 3000K	10,4W		810mm/31.9"	0,26	
<b>F6.204.39</b>	led 3000K led 3000K	11,7W		910mm/35.8"	0,29	
<b>F6.204.40</b>	led 3000K led 3000K	13W		1010mm/39.8"	0,33	
<b>F6.204.41</b>	led 3000K led 3000K	14,3W		1110mm/43.7"	0,36	
<b>F6.204.42</b>	led 3000K led 3000K	15,6W		1210mm/47.6"	0,39	
<b>F6.204.43</b>	led 3000K led 3000K	16,9W		1310mm/51.6"	0,42	
<b>F6.204.44</b>	led 3000K led 3000K	18,2W		1410mm/55.5"	0,45	
<b>F6.204.45</b>	led 3000K led 3000K	19,5W		1510mm/59.4"	0,49	
<b>F6.204.46</b>	led 3000K led 3000K	20,8W		1610mm/63.4"	0,52	
<b>F6.204.47</b>	led 3000K led 3000K	22,1W		1710mm/67.3"	0,55	
<b>F6.204.48</b>	led 3000K led 3000K	23,4W		1810mm/71.3"	0,58	
<b>F6.204.49</b>	led 3000K led 3000K	24,7W		1910mm/75.2"	0,62	
<b>F6.204.50</b>	led 3000K led 3000K	26W		2010mm/79.1"	0,65	
<b>F6.204.51</b>	led 3000K led 3000K	27,3W		2110mm/83.1"	0,68	

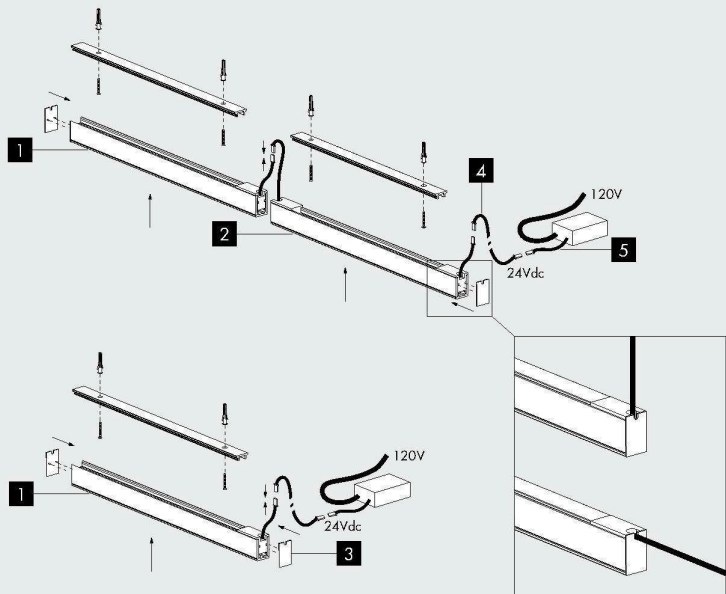
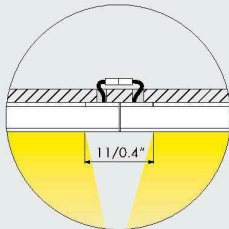
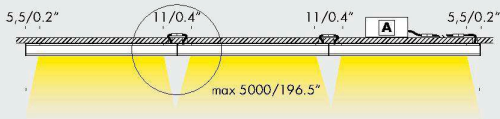
n. 1 male amp2 connector - n.1 conector amp2 macho

**accessories. accesorios.**



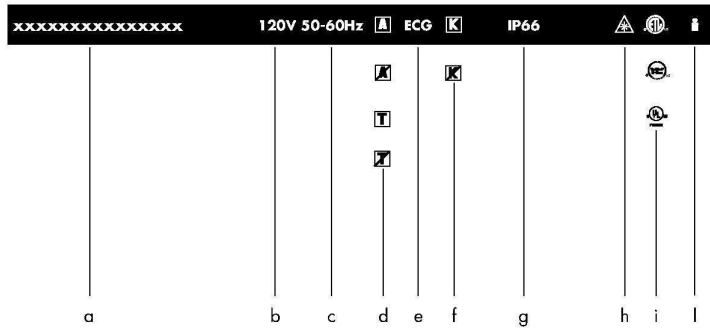
<b>F9.204.91</b>	cable 2x0,35 cable 2x0,35	2000mm/78.7"	0,30
	n. 2 m/f amp2 connectors n. 2 conectores amp2 macho/hembra		
<b>F9.204.90</b>	cable 2x0,35 cable 2x0,35	150mm/5.9"	0,09
	n. 1 female amp2 connector n. 1 conector amp2 hembra		

installation example  
ejemplo de instalación



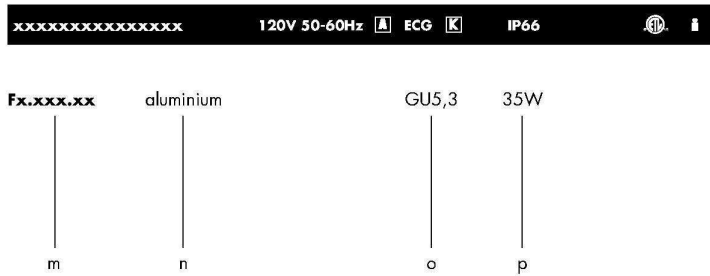
- 1** 13x8 n. 1 male amp2 connector  
13x8 n. 1 conector amp2 masculino
- 2** 13x8 n. 2 m/f amp2 connectors  
13x8 n. 2 conectores amp2 macho/hembra
- 3** end cap included  
tapa de cierre incluida
- 4** F9.204.91 cable l. 2000mm/78.7" n. 2 amp2 m/f connectors  
F9.204.91 cable l. 2000mm/78.7" n. 2 conectores amp2 macho/hembra
- 5** F9.204.90 cable l. 150mm/5.9" n. 1 female amp2 connector  
F9.204.90 cable l. 150mm/5.9" n. 1 conector amp2 hembra

**vademecum**



example of data plate. standard arrangement of symbols.  
ejemplo de recuadro técnico. posiciones estándar y símbolos.

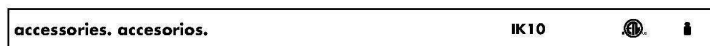
a	lighting system name nombre del aparato de iluminación
b	supply rating (Volt). tensión de alimentación.
c	supply frequency (Hertz). frecuencia de alimentación.
d	power supply unit/transformer included or not alimentador/transformador incluidos o no incluidos
e	type of control gear. tipo de alimentador.
f	wiring kit included or excluded capacitor for power factor correction only if indicated kit de cableado incluido o excluido condensador de reajuste de fase incluido sólo si se indica
g	protection rating. grado de la protección.
h	led light source. fuente luminosa led.
i	certification for safety and quality standards aparato aprobado, Marca de Calidad
l	net weight. Kg. peso neto.



m	code. código.
n	colours and finish. color y acabado.
o	lamp socket. conexión de la bombilla.
p	lamp wattage (Watt). potencia de la bombilla (Watt).



components - includes all items that are essential to the correct operation and installation of the light system  
componentes - indica todos los elementos indispensables para la instalación y el buen funcionamiento del cuerpo iluminante.



accessories - refers to items that can be added to the fitting  
accesorios - se refiere a otras partes que pueden instalarse en el cuerpo



kit - refers to the lighting kits available for installation in the body  
kit - se refiere a los kit de iluminación que pueden instalarse dentro del cuerpo.

Viabizzuno reserves the right to introduce any change to its own models, without prior notice. Viabizzuno se reserva el derecho de aportar a sus modelos, sin ningún preaviso, cualquier modificación que considere oportuna.

---

## legenda

- opal glass. cristal opalino.
- frosted glass. cristal arenado.
- transparent glass. cristal transparente.
- opal polycarbonate diffuser. policarbonado opalino.
- polycarbonate coextruded. extrusion de policarbonado.
- drive over. apto para tránsito de vehículos.
- L lamp included. all our lighting system led are with lamp included.  
bombilla incluida. todos nuestros cuerpos iluminantes cableados led llevan la fuente luminosa incluida.
- A control gear included. alimentador incluido.
- X control gear not included. alimentador excluido.
- T transformer not included. transformador incluido.
- X transformer not included. transformador excluido.
- K wiring kit. transformador excluido.
- X wiring kit not included. kit de cableaje excluido.
- S produced in compliance with showerheads northamerican directives. producto conforme a las normas norteamericanas de duchas.
- N produced in compliance with northamerican directives. producto conforme a las normas norteamericanas.
- L produced in compliance with lighting northamerican directives. producto conforme a las normas norteamericanas de iluminación.
- ECCG** electronic gears. alimentador electrónico halogenuros.
- CCG** electromechanic gear. alimentador electromecánico halogenuros.
- I net weight. Kg. peso neto.
- .T** trafo 12V spotlight with integral transformer. faro 12V con transformador instalado.
- A **ATTENTION: never look straight at the light source without eye protection**  
**ATENCIÓN: no mirar directamente a la fuente luminosa**

**installation shots do not necessary refer to northamerica projects**  
**las fotos de instalación no se refieren necesariamente a proyectos realizados en norteamérica**

120VAC Primary, 24VDC Secondary, 4A, 96W Dimmable Remote Driver

*Manufacturer:* Justin Inc.

*Fixture Line:* Power Supply

*Fixture:* Remote Power Supply

*Catalog #:* 961-24DCR

*Mounting:* Surface

*Fixture Wattage:* 96w

*Fixture Voltage:* 120

*Load Type:* MLV

*Lamp Spec:* n/a

*Lamp Voltage:* n/a

**Fixture Specification Notes**

- 1) Contractor to order power supplies/ballasts/transformers/drivers as required.
- 2) Contractor to verify location of remote ballasts/drivers/transformers/power supplies with Architect.
- 3) Fixture shall be furnished with mounting and electrical connection hardware accessories as required for proper installation.
- 4) All remote drivers shall be located in an accessible, well-ventilated, dry location.



# CLASS 2 DC POWER SUPPLIES

**UL LISTED CLASS 2 POWER SOURCE**

**36 THROUGH 300 WATT MODELS**  
**12 AND 24 VOLT DC Output**

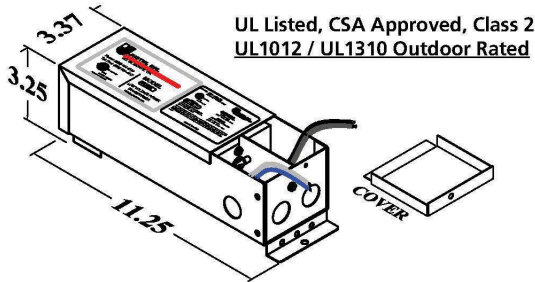


- ◀ Indoor/Outdoor Enclosure, Conduit Ready
- ◀ Magnetic Dimmer Ready, Input / Dimmable
- ◀ Manual Reset Overload Protection
- ◀ Made in USA
- ◀ Multiple Inputs 120, 240, 277V, 50/60Hz
- ◀ UL Listed / UL Recognized
- ◀ Reliable Power Source for LED Lighting Applications
- ◀ CSA Approved

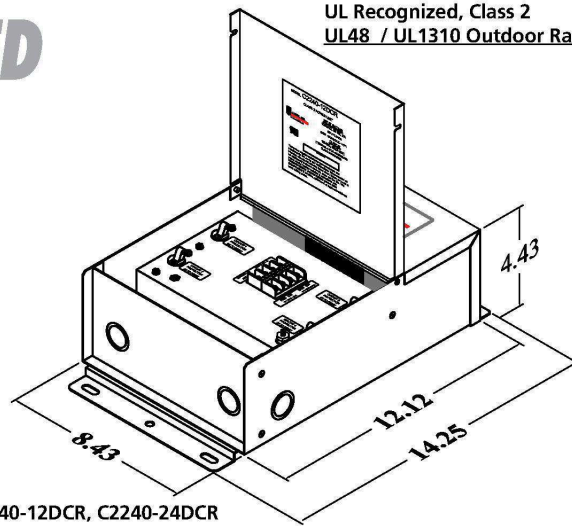
**JUSTIN, INC.**

**ELECTRONIC PRODUCTS DIVISION**  
2663 No. Lee Avenue  
South El Monte, CA 91733  
626 444-4516 • Fax 626 444-9462  
[www.justininc.com](http://www.justininc.com)

# CLASS 2 DC REGULATED POWER SUPPLIES



Model: 361-12DCR, 481-24DCR, 601-12DCR, 961-24DCR



Model: C2240-12DCR, C2240-24DCR

## SPECIFICATIONS AND ORDERING INFORMATION - SINGLE CIRCUIT DIMMABLE

INDOOR/OUTDOOR ENCLOSURE, UL LISTED, FILE E325754, CSA APPROVED, MANUAL RESET OVERLOAD PROTECTION

Model	Input			VDC	Output	
	VAC	Hz	AMPS (Max.)		AMPS (Max.)	WATTS
361-12DCR	120	50/60	0.58	12VDC	3A	36
362-12DCR-240	240	50/60	0.28	12VDC	3A	36
363-12DCR-277	277	50/60	0.24	12VDC	3A	36
481-24DCR	120	50/60	0.63	24VDC	2A	48
482-24DCR-240	240	50/60	0.33	24VDC	2A	48
483-24DCR-277	277	50/60	0.28	24VDC	2A	48
601-12DCR	120	50/60	0.81	12VDC	5A	60
602-12DCR-240	240	50/60	0.41	12VDC	5A	60
603-12DCR-277	277	50/60	0.38	12VDC	5A	60
961-24DCR	120	50/60	1.12	24VDC	4A	96
962-24DCR-240	240	50/60	0.57	24VDC	4A	96
963-24DCR-277	277	50/60	0.50	24VDC	4A	96

## SPECIFICATIONS AND ORDERING INFORMATION - MULTIPLE CIRCUIT DIMMABLE

INDOOR / OUTDOOR ENCLOSURE, UL RECOGNIZED, FILE E235322, MANUAL RESET OVERLOAD PROTECTION

Model	Input			VDC	Output	
	VAC	Hz	AMPS (Max.)		AMPS (Max.)	WATTS
C2240-12DCR	120	50/60	2.2	12VDC	5A Per Circuit	4 x 60VA Class 2 Circuits
C2240-24DCR	120	50/60	2.5	24VDC	4A Per Circuit	3 x 100VA Class 2 Circuits

Above units available in 240 or 277V inputs. Order "-240" or "-277". Important - Do not interconnect output circuits

### INDIVIDUAL CIRCUIT DC POWER SUPPLY SPECIFICATIONS

Description	24V Model Value	12V Model Value	Unit	Details	Unit	
Input Voltage	120 / 240 / 277	120 / 240 / 277	Volts AC, 1 AMP Max.	Load Regulation	0.1 Tol Volts	
Output Voltage	24.0 +/-0.3	12.0 +/-0.3	Volts DC	Line Regulation	0.1 Tol Volts	
Output Current	2A, 48W/4A, 96W	3A, 36W/5A, 60W	Amps	Input Frequency	50-60 Hertz	
Current Limit	2.5/4.5 +/-0.25	3.5/5.5 +/-0.25	Amps	Efficiency	80 Typical %	
<b>APPROVALS</b> - UL Listed, Class 2 Power Supplies, UL1012 UL1310, UL48 Recognized Sign Accessories <b>CONSTRUCTION</b> - Indoor/Outdoor Type 3R Enclosure <b>WALL MOUNTING</b> - Conduit Access Wiring Compartment <b>3 Year Limited Warranty</b>	MTBF	100,000	1 Hours	Operating Environment (AMB)	Minus 30 to +60 Deg "C"	
	Function Surface Temp. (25 C AMB)	-40 to +80	Deg "C"	Storage Temp.	Minus 65 to +90 Deg "C"	
	Humidity	100 (Non Cond)	%	Size	11.25x 3.37 x 3.25	Inches
	Shipping Weight	7.0	Pounds			

Compatible with forward phase dimmers designed specifically for magnetic or inductive circuits. See PDF for detailed application information.

### ELECTRONIC PRODUCTS DIVISION

2663 No. Lee Avenue  
South El Monte, CA 91733  
626 444-4516 • Fax 626 444-9462  
www.justininc.com



## **JUSTIN POWER SUPPLIES AND TRANSFORMERS**

### INPUT DIMMING AND LIGHTING LOAD NOTES

Justin power supplies and transformers have been factory tested for use with various **120VAC dimmers specifically designed for only magnetic or inductive loads.**

**PLEASE NOTE:** Input dimming of Justin power supplies may drop voltage delivered to the lighting load below 10% of rated power supply output, depending on what model dimmer is used.

Justin power supplies and transformers are compatible with some **Lutron and Leviton low voltage dimmers for magnetic or inductive loads.** However, we strongly recommend testing in the specific end application to confirm system operation within the rated limitations of all components. In addition, use of programmable multiple station dimming systems for control of Justin power supplies and transformers has not been evaluated and is not recommended without thorough testing in the end application.

Justin, Inc. will not qualify any dimming product for use with our lighting equipment. It remains the sole responsibility of the re-seller and/or installer to determine compatibility, including all input and output connected devices.

**NEVER CONNECT ANY DIMMER NOT DESIGNED FOR INDUCTIVE LOADS. DAMAGE TO THE DIMMER AND/OR THE POWER UNIT WILL RESULT, AND THE POWER UNIT WARRANTY WILL BE VOIDED.**

Please contact Justin technical support for further information (800) 989-4517.

Low profile linear LED fixture with angled aluminum channel for assymetrical distribution and polycarbonate diffuser.  
Nominal fixture dimensions 0.5" W x 0.5" H

**Manufacturer:** Viabizzuno  
**Fixture Line:** 13x13 Angolo  
**Fixture:** Linear Lensed LED Assymetric  
**Catalog #:** Angolo 13 x 13 Series - 2700K LED  
**Mounting:** Surface

**Watts/LF:** 5w  
**Fixture Voltage:** 24  
**Load Type:** MLV

**Driver** See L21X spec for remote constant voltage LED driver

**Lamp Spec:** Integral 2700K LED, 5w/ft,  
323lm/ft, 95 CRI

**Lamp Voltage:** 24V

**Fixture Specification Notes**

- 1) Verify final lengths and quantities with millwork drawings prior to ordering.
- 2) Fixture shall be furnished with mounting and electrical connection hardware accessories as required for proper installation.
- 3) Verify aluminum extrusion finish with Architect prior to ordering.



**Viabizzuno**

collezione. collection.	For m
nome prodotto. product name.	13mo angolo
progettista e anno designer and year	mario nanni 2014
codice prodotto. product code.	-
descrizione. description.	profilo in alluminio per sorgente led lineare aluminium profile provided with linear white led strip

**caratteristiche/specification**

tipo di sorgente type of light source	bobina led bianco white led strip
tipo di installazione type of installation	parete, soffitto wall, ceiling
peso. weight. (Kg)	
materiale. material	alluminio. aluminium
trattamento/colore treatment/colour	anodizzazione oro lucido anodisation polish gold
sezione section (mm)	13 x 13
grado protezione IP IP rating.	IP20
marcature. labelling.	CE RoHS

**ottiche-diffusori/diffuser-lenses**

emissione luce. light output.	diffusa. diffused
materiale/finitura diffusore diffuser material and finish	poli-carbonato sabbiato treated polycarbonate

**lampade/lamps**

potenza power (W/m)	13
temperatura di colore color temperature (K)	3000K
indice resa cromatica color rendering index (Ra)	95
flusso luminoso sorgente source luminous flux (lm/m)	1050
efficienza luminosa sorgente source luminous efficacy (lm/Wm)	80

**caratteristiche elettriche/electrical specifications**

tensione voltage (Vdc)	24
regolazione luce light regulation	con alimentatore dimmerabile with dimmable driver
classe d'isolamento IEC protection class	II

**note/notes**

fornito con connettori amp2  
supplied with amp2 connectors

**Viabizzuno**



collezione. collection.	For m
nome prodotto. product name.	13mo angolo
progettista e anno designer and year	mario nanni 2014
codice prodotto. product code.	-
descrizione. description.	profilo in alluminio per sorgente led lineare aluminium profile provided with linear white led strip

**caratteristiche/specification**

tipo di sorgente type of light source	bobina led bianco white led strip
tipo di installazione type of installation	parete, soffitto wall, ceiling
peso. weight. (Kg)	
materiale. material	alluminio. aluminium
trattamento/colore treatment/colour	anodizzazione oro lucido anodisation polish gold
sezione section (mm)	13 x 13
grado protezione IP IP rating.	IP20
marcature. labelling.	CE 


**ottiche-diffusori/diffuser-lenses**

emissione luce. light output.	diffusa. diffused
materiale/finitura diffusore diffuser material and finish	poli-carbonato sabbato frosted polycarbonate

**lampade/lamps**

potenza power (W/m)	13
temperatura di colore color temperature (K)	3000K
indice resa cromatica color rendering index (Ra)	95
flusso luminoso sorgente source luminous flux (lm/m)	1050
efficienza luminosa sorgente source luminous efficacy (lm/Wm)	80

**caratteristiche elettriche/electrical specifications**

tensione voltage (Vdc)	24
regolazione luce light regulation	con alimentatore dimmerabile with dimmable driver
classe d'isolamento IEC protection class	

**note/notes**

fornito con connettori amp2  
supplied with amp2 connectors

120VAC Primary, 24VDC Secondary, 4A, 96W Dimmable Remote Driver

*Manufacturer:* Justin Inc.  
*Fixture Line:* Power Supply  
*Fixture:* Remote Power Supply  
*Catalog #:* 961-24DCR  
*Mounting:* Surface

*Fixture Wattage:* 96w  
*Fixture Voltage:* 120  
*Load Type:* MLV

*Lamp Spec:* n/a

*Lamp Voltage:* n/a

**Fixture Specification Notes**

- 1) Contractor to order power supplies/ballasts/transformers/drivers as required.
- 2) Contractor to verify location of remote ballasts/drivers/transformers/power supplies with Architect.
- 3) Fixture shall be furnished with mounting and electrical connection hardware accessories as required for proper installation.
- 4) All remote drivers shall be located in an accessible, well-ventilated, dry location.



# CLASS 2 DC POWER SUPPLIES

**UL LISTED CLASS 2 POWER SOURCE**

**36 THROUGH 300 WATT MODELS**  
**12 AND 24 VOLT DC Output**

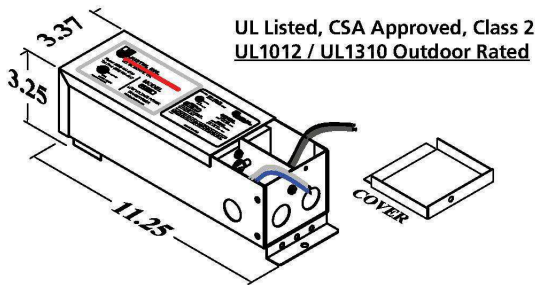


- ◀ Indoor/Outdoor Enclosure, Conduit Ready
- ◀ Magnetic Dimmer Ready, Input / Dimmable
- ◀ Manual Reset Overload Protection
- ◀ Made in USA
- ◀ Multiple Inputs 120, 240, 277V, 50/60Hz
- ◀ UL Listed / UL Recognized
- ◀ Reliable Power Source for LED Lighting Applications
- ◀ CSA Approved

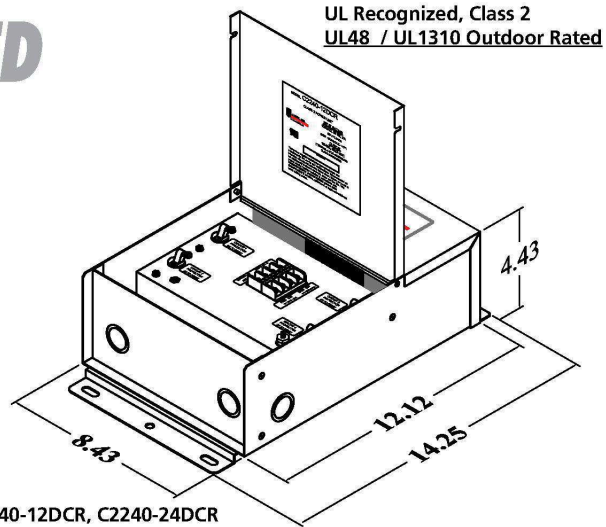
**J** **JUSTIN, INC.**

**ELECTRONIC PRODUCTS DIVISION**  
2663 No. Lee Avenue  
South El Monte, CA 91733  
626 444-4516 • Fax 626 444-9462  
[www.justininc.com](http://www.justininc.com)

# CLASS 2 DC REGULATED POWER SUPPLIES



Model: 361-12DCR, 481-24DCR, 601-12DCR, 961-24DCR



Model: C2240-12DCR, C2240-24DCR

## SPECIFICATIONS AND ORDERING INFORMATION - SINGLE CIRCUIT DIMMABLE

INDOOR/OUTDOOR ENCLOSURE, UL LISTED, FILE E325754, CSA APPROVED, MANUAL RESET OVERLOAD PROTECTION

Model	Input			VDC	Output	
	VAC	Hz	AMPS (Max.)		AMPS (Max.)	WATTS
361-12DCR	120	50/60	0.58	12VDC	3A	36
362-12DCR-240	240	50/60	0.28	12VDC	3A	36
363-12DCR-277	277	50/60	0.24	12VDC	3A	36
481-24DCR	120	50/60	0.63	24VDC	2A	48
482-24DCR-240	240	50/60	0.33	24VDC	2A	48
483-24DCR-277	277	50/60	0.28	24VDC	2A	48
601-12DCR	120	50/60	0.81	12VDC	5A	60
602-12DCR-240	240	50/60	0.41	12VDC	5A	60
603-12DCR-277	277	50/60	0.38	12VDC	5A	60
961-24DCR	120	50/60	1.12	24VDC	4A	96
962-24DCR-240	240	50/60	0.57	24VDC	4A	96
963-24DCR-277	277	50/60	0.50	24VDC	4A	96

## SPECIFICATIONS AND ORDERING INFORMATION - MULTIPLE CIRCUIT DIMMABLE

INDOOR / OUTDOOR ENCLOSURE, UL RECOGNIZED, FILE E235322, MANUAL RESET OVERLOAD PROTECTION

Model	Input			VDC	Output	
	VAC	Hz	AMPS (Max.)		AMPS (Max.)	WATTS
C2240-12DCR	120	50/60	2.2	12VDC	5A Per Circuit	4 x 60VA Class 2 Circuits
C2240-24DCR	120	50/60	2.5	24VDC	4A Per Circuit	3 x 100VA Class 2 Circuits

Above units available in 240 or 277V inputs. Order "-240" or "-277". Important - Do not interconnect output circuits

### INDIVIDUAL CIRCUIT DC POWER SUPPLY SPECIFICATIONS

Description	24V Model Value	12V Model Value	Unit	Details	Unit	
Input Voltage	120 / 240 / 277	120 / 240 / 277	Volts AC, 1 AMP Max.	Load Regulation	0.1 Tol Volts	
Output Voltage	24.0 +/-0.3	12.0 +/-0.3	Volts DC	Line Regulation	0.1 Tol Volts	
Output Current	2A, 48W/4A, 96W	3A, 36W/5A, 60W	Amps	Input Frequency	50-60 Hertz	
Current Limit	2.5/4.5 +/-0.25	3.5/5.5 +/-0.25	Amps	Efficiency	80 Typical %	
<b>APPROVALS</b> - UL Listed, Class 2 Power Supplies, UL1012 UL1310, UL48 Recognized Sign Accessories <b>CONSTRUCTION</b> - Indoor/Outdoor Type 3R Enclosure <b>WALL MOUNTING</b> - Conduit Access Wiring Compartment <b>3 Year Limited Warranty</b>	MTBF	100,000	1 Hours	Operating Environment (AMB)	Minus 30 to +60 Deg "C"	
	Function Surface Temp. (25 C AMB)	-40 to +80	Deg "C"	Storage Temp.	Minus 65 to +90 Deg "C"	
	Humidity	100 (Non Cond)	%	Size	11.25x 3.37 x 3.25	Inches
	Shipping Weight	7.0	Pounds			

Compatible with forward phase dimmers designed specifically for magnetic or inductive circuits. See PDF for detailed application information.



## **JUSTIN POWER SUPPLIES AND TRANSFORMERS**

### INPUT DIMMING AND LIGHTING LOAD NOTES

Justin power supplies and transformers have been factory tested for use with various **120VAC dimmers specifically designed for only magnetic or inductive loads.**

**PLEASE NOTE:** Input dimming of Justin power supplies may drop voltage delivered to the lighting load below 10% of rated power supply output, depending on what model dimmer is used.

Justin power supplies and transformers are compatible with some **Lutron and Leviton low voltage dimmers for magnetic or inductive loads.** However, we strongly recommend testing in the specific end application to confirm system operation within the rated limitations of all components. In addition, use of programmable multiple station dimming systems for control of Justin power supplies and transformers has not been evaluated and is not recommended without thorough testing in the end application.

Justin, Inc. will not qualify any dimming product for use with our lighting equipment. It remains the sole responsibility of the re-seller and/or installer to determine compatibility, including all input and output connected devices.

**NEVER CONNECT ANY DIMMER NOT DESIGNED FOR INDUCTIVE LOADS. DAMAGE TO THE DIMMER AND/OR THE POWER UNIT WILL RESULT, AND THE POWER UNIT WARRANTY WILL BE VOIDED.**

Please contact Justin technical support for further information (800) 989-4517.

Exterior rated stake mounted LED accent light with narrow flood optics. Requires remote driver. Finish: Bronze

*Manufacturer:* BK

*Fixture Line:* Mini Micro

*Fixture:* Floodlight

*Catalog #:* MN-LED-E70-NFL-BZP-12-11-B-360SL

*Mounting:* Stake

*Accessories:* SK Stake

*Fixture Wattage:* 3w

*Fixture Voltage:* 12

*Load Type:* MLV

*Lamp Spec:* 3W 2700K Integral LED, 100 lm

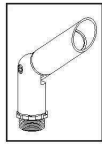
*Lamp Voltage:* 12VAC

**Fixture Specification Notes**

1) Fixture shall be furnished with mounting and electrical connection hardware accessories as required for proper installation.

2) Verify fixture finishes with Architect prior to ordering.



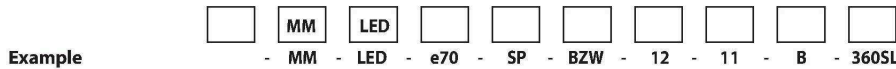


the power of

**MINI-MICRO™  
FLOODLIGHT**

<b>PROJECT:</b>	
<b>TYPE:</b>	
<b>CATALOG NUMBER:</b>	
<b>SOURCE:</b>	
<b>NOTES:</b>	

**CATALOG NUMBER LOGIC**



**Material**  
Blank - Aluminum  
B - Brass  
S - Stainless Steel

**Series**  
MM - Mini-Micro™ Floodlight

**Source**  
LED - 'e' Technology with Integral Driver  
*Designed for use with remote 12VAC BKSSL® transformers.*

**LED Type**  
e70 - 3WLED/2.7K      e72 - 3WLED/4K  
e71 - 3WLED/3K      e73 - 3WLED/Amber

**Optics\***  
NSP - Narrow Spot (Red Indicator)    SP - Spot (Green Indicator)    MFL - Medium Flood (Yellow indicator)    ASY - Asymmetrical (Purple Indicator)

Aluminum Finish			Brass Finish		Premium Finish		
<b>Powder Coat Color</b>	<b>Satin</b>	<b>Wrinkle</b>	Machined	<b>MAC</b>	<b>ABP</b> Antique Brass Powder	<b>CMG</b> Cascade Mountain Granite	<b>RMG</b> Rocky Mountain Granite
Bronze	<b>BZP</b>	<b>BZW</b>	Polished	<b>POL</b>	<b>AMG</b> Aleutian Mountain Granite	<b>CRI</b> Cracked Ice	<b>SDS</b> Sonoran Desert Sandstone
Black	<b>BLP</b>	<b>BLW</b>	Mitique™	<b>MIT</b>	<b>AQW</b> Antique White	<b>CRM</b> Cream	<b>SMG</b> Sierra Mountain Granite
White (Gloss)	<b>WHP</b>	<b>WHW</b>	<b>Stainless Finish</b>		<b>BCM</b> Black Chrome	<b>HUG</b> Hunter Green	<b>TXF</b> Textured Forest
Aluminum	<b>SAP</b>	—	Machined	<b>MAC</b>	<b>BGE</b> Beige	<b>MDS</b> Mojave Desert Sandstone	<b>WCP</b> Weathered Copper
Verde	—	<b>VER</b>	Polished	<b>POL</b>	<b>BPP</b> Brown Patina Powder	<b>NBP</b> Natural Brass Powder	<b>WIR</b> Weathered Iron
			Brushed	<b>BRU</b> <small>Interior use only.</small>	<b>CAP</b> Clear Anodized Powder	<b>OCP</b> Old Copper	<i>Also available in RAL Finishes See submittal SUB-1439-00</i>

**Lens Type**  
12 - Soft Focus Lens      13 - Rectilinear Lens

**Shielding**  
11 - Honeycomb Baffle

**Cap Style**  
A - 45°    B - 90°    C - Flush    D - 45° less Weep Hole (Interior Use Only)    E - 90° less Weep Hole (Interior Use Only)

**Option**  
360SL - 360SL™ Rotational Knuckle Mounting System

**LM79 DATA**

BK No.	CCT (Typ.)	Input Watts (Typ.)	CRI
e70	2700K	3	80
e71	3000K	3	80
e72	4000K	3	80
e73	Amber (590nm)	3	~

**L70 DATA**

Minimum Rated Life (hrs.) 70% of initial lumens (L70)
50,000
50,000
50,000
50,000

**\*OPTICAL DATA**

Beam Type	Angle	CBCP	Visual Indicator
NSP-Narrow Spot	17°	1585	Red Indicator
SP-Spot	21°	781	Green Indicator
MFL-Medium Flood	28°	616	Yellow Indicator
ASY-Asymmetrical	17°x31°	721	Purple Indicator

<b>B-K LIGHTING</b>	40429 Brickyard Drive • Madera, CA 93636 • USA 559.438.5800 • FAX 559.438.5900 www.bklighting.com • info@bklighting.com	RELEASED 07-25-16	DRAWING NUMBER SUB000931
---------------------	---	----------------------	-----------------------------

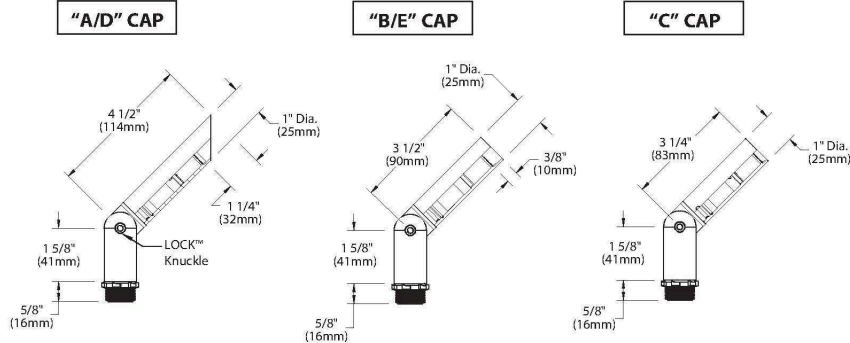
THIS DOCUMENT CONTAINS PROPRIETARY INFORMATION OF B-K LIGHTING, INC. AND ITS RECEIPT OR POSSESSION DOES NOT CONVEY ANY RIGHTS TO REPRODUCE, DISCLOSE ITS CONTENTS, OR TO MANUFACTURE, USE OR SELL ANYTHING IT MAY DESCRIBE. REPRODUCTION, DISCLOSURE OR USE WITHOUT SPECIFIC WRITTEN AUTHORIZATION OF B-K LIGHTING, INC. IS STRICTLY FORBIDDEN.



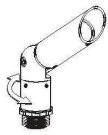
the power of

**MINI-MICRO™  
FLOODLIGHT**

PROJECT:	
TYPE:	



**360 SL™**

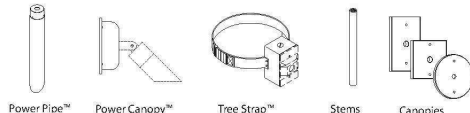


**Horizontal Rotation**  
(Optional 360SL™ Knuckle)

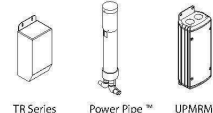
**Accessories** (Configure separately)

All dimensions indicated on this submittal are nominal.  
Contact Technical Sales if you require more stringent specifications.

**Mounting:**



**Remote Transformers:**



**SPECIFICATIONS**

**GreenSource Initiative™**

Metal and packaging components are made from recycled materials. Manufactured using renewable solar energy, produced on site. Returnable to manufacturer at end of life to ensure cradle-to-cradle handling. Packaging contains no chlorofluorocarbons (CFC's). Use of this product may qualify for GreenSource efficacy and recycling rebate(s). Consult [www.bklighting.com/greensource](http://www.bklighting.com/greensource) for program requirements.

**Materials**

Furnished in Copper-Free Aluminum (Type 6061-T6), Brass (Type 360) or Stainless Steel (Type 304).

**Body**

Fully machined from solid billet. Unibody design provides enclosed, water-proof wireway and integral heat sink for maximum component life. Integral knuckle for maximum mechanical strength. High temperature, silicone 'O' Ring provides water-tight seal.

**Knuckle**

The LOCK™ (Locking 'O' Ring Compression Knuckle) is comprised of two components. The first is integral to the body and features an interior, machined taper. The second is machined from solid billet and features a second, reverse angle taper. The resultant mechanical taper-lock allows a full 180° vertical adjustment without the use of serrated teeth, which inherently limit aiming. High temperature, silicone 'O' Ring provides water-tight seal and compressive resistance to maintain fixture position. Design withstands 73 lb. static load prior to movement to ensure decades of optical alignment. 1/2" pipe thread for mounting.

Optional 360SL™ additionally provides biaxial source control with 360° horizontal rotation in addition to vertical adjustment.

**Cap**

Fully machined. Accommodates [1] lens or louvre media. Choose from 45° cutoff ('A' or 'D'), 3/8" deep bezel with 90° cutoff ('B' or 'E'), or flush lens ('C') cap styles. 'A' and 'B' caps include weep-hole for water and debris drainage. 'D' and 'E' caps exclude weep-hole and are for interior use only.

**Lens**

Shock resistant, tempered, glass lens is factory adhered to fixture cap and provides hermetically sealed optical compartment. Specify soft focus (#12) or rectilinear (#13) lens.

**BKSSL®**

Integrated solid state system with 'e' technology. High power, forward throw source complies with ANSI C78.377 binning requirements. Exceeds ENERGY STAR® lumen maintenance requirements. LM-80 certified components.

Integral non-dimming driver. Minimum 50,000 hour rated life at 70% of initial lumens (L70). BKSSL technology provides long life, significant energy reduction and exceptional thermal management.

**Optics**

OPTIKIT™ modules are color-coded for easy reference: Narrow Spot (NSP) = Red, Spot (SP) = Green, Medium Flood (MFL) = Yellow and Asymmetrical (ASY) = Purple.

**Remote Transformer**

For use with 12VAC BKSSL remote transformer or magnetic transformers only. B-K Lighting cannot guarantee performance with third party manufacturers' transformers.

**Wiring**

Teflon® coated, 18AWG, 600V, 250° C rated and certified to UL 1659 standard.

**Hardware**

Tamper-resistant, stainless steel hardware. LOCK™ aiming screw is additionally black oxide treated for additional corrosion resistance.

**Finish**

StarGuard®, our exclusive RoHS compliant, 15 stage chromate-free process cleans and conversion coats aluminum components prior to application of Class 'A' TGIC polyester powder coating. Brass components are available in powder coat or handcrafted metal finish. Stainless steel components are available in handcrafted metal finish. (Brushed finish for interior use only).

**Warranty**

5 year limited warranty.

**Certification and Listing**

ITL tested to IESNA LM-79, UL Listed. Certified to CAN/CSA/ANSI Standards. RoHS compliant. Suitable for indoor or outdoor use. Suitable for use in wet locations. Suitable for installation within 4' of the ground. IP66 Rated. Made in USA.



\*Teflon is a registered trademark of DuPont Corporation.  
\*Energy Star is a registered trademark of the United States Environmental Protection Agency.

150W Outdoor rated remote Magnetic transformer in metal enclosure

**Manufacturer:** BK  
**Fixture Line:** Remote Transformers  
**Fixture:** 150W Remote Magnetic Transformer  
**Catalog #:** TR150-120  
**Mounting:** Surface

**Fixture Voltage:** 120  
**Load Type:** MLV

**Lamp Spec:** N/A

**Lamp Voltage:** N/A

**Fixture Specification Notes**

- 1) Contractor to verify location of remote ballasts/drivers/transformers/power supplies with Architect.
- 2) Fixture shall be furnished with mounting and electrical connection hardware accessories as required for proper installation.
- 3) Remote driver to be located in nearby, accessible, well-ventilated location.



**PROJECT:** \_\_\_\_\_

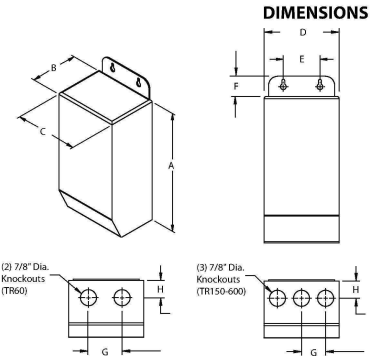
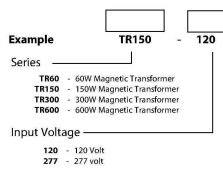
**TYPE:** \_\_\_\_\_

**CATALOG NUMBER:** \_\_\_\_\_

**SOURCE:** \_\_\_\_\_

**NOTES:** \_\_\_\_\_

**CATALOG NUMBER LOGIC**



**TRANSFORMER DATA**

Series	Input Voltage	Max. Load	Circuit Breaker	Weight	Height A	Depth B	C	D	E	F	G	H
TR60	120V	60W	8A	3.7 lbs.	7-1/2"	2-15/16"	3"	3-7/64"	1-1/2"	1-1/16"	1-1/2"	3/4"
TR150	120V	150W	25A	6 lbs.	8"	3-3/32"	4-3/32"	5-1/2"	4-1/8"	1-1/8"	1-5/16"	15/16"
TR300	120V	300W	25A	7.13 lbs.	8"	3-3/32"	4-3/32"	5-1/2"	4-1/8"	1-1/8"	1-5/16"	15/16"
TR600	120V	600W	25A	14.9 lbs.	9-13/32"	4-3/32"	4-19/32"	5-3/4"	4-5/8"	1-1/16"	1-1/2"	1-1/4"
TR60	277V	60W	8A	3.7 lbs.	7-1/2"	2-15/16"	3"	3-7/64"	1-1/2"	1-1/16"	1-1/2"	3/4"
TR150	277V	150W	25A	6 lbs.	8"	3-3/32"	4-3/32"	5-1/2"	4-1/8"	1-1/8"	1-5/16"	15/16"
TR300	277V	300W	25A	7.13 lbs.	8"	3-3/32"	4-3/32"	5-1/2"	4-1/8"	1-1/8"	1-5/16"	15/16"
TR600	277V	600W	25A	14.9 lbs.	9-13/32"	4-3/32"	4-19/32"	5-3/4"	4-5/8"	1-1/16"	1-1/2"	1-1/4"

**SPECIFICATIONS**

**Housing**  
Stainless steel, NEMA Outdoor 3R rated enclosure. (2) (TR60) or (3) (TR150-600) bottom entry 7/8" knockouts provide access to wiring compartment. Riveted, hinged cover opens vertically from bottom to top for service access.

**Transformer**  
Fully encapsulated, Class B insulated, low voltage magnetic transformer. 120VAC or 277VAC input. 120VAC output (fully loaded). 0.6A (120VAC) or 0.3A (277VAC) maximum no load input current. Manual thermal reset. Secondary circuit breaker. Enclosure temperature <math>65^{\circ}\text{C}</math> when fully loaded (in <math>40^{\circ}\text{C}</math> ambient).

For use with halogen and **OSRAM** products. Fully dimmable utilizing magnetic low voltage dimmers. Consult fixture specification for dimming capability.

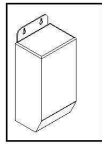
**Output Wiring**  
See B-K Lighting Low Voltage Design Guide on reverse.

**Warranty**  
Limited five year warranty.

**Certification and Listings**  
Nema Type 3R Enclosure. Suitable for indoor and outdoor use. UL Listed to ANS/UL Standard 1012.



<b>B-K LIGHTING</b>	40429 Brickyard Drive • Modesto, CA 95828 • USA 956-458-8800 • FAX 956-458-9900 www.bklighting.com • info@bklighting.com	SUBMITTAL DATE 7-30-13	SUBMITTAL NUMBER TR-SERIES
---------------------	--	---------------------------	-------------------------------

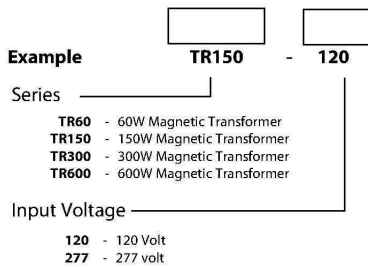


*Magnetic Transformer*

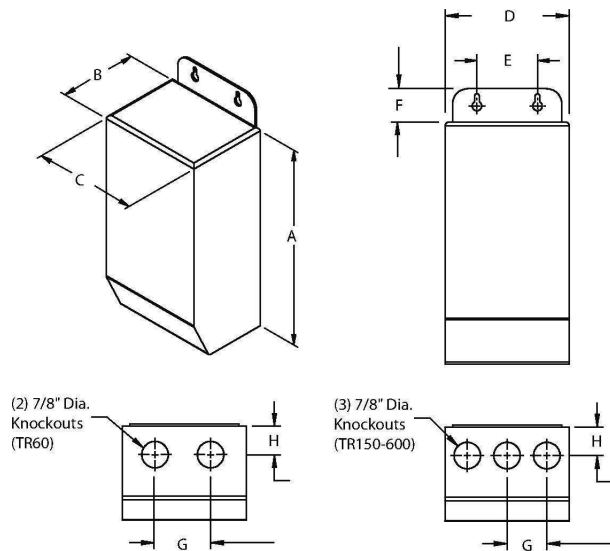
**TR SERIES**

<b>PROJECT:</b>	
<b>TYPE:</b>	
<b>CATALOG NUMBER:</b>	
<b>SOURCE:</b>	
<b>NOTES:</b>	

**CATALOG NUMBER LOGIC**



**DIMENSIONS**



**TRANSFORMER DATA**

All dimensions indicated on this submittal are nominal. Contact Technical Sales if you require more stringent specifications.

Series	Input Voltage	Max. Load	Circuit Breaker	Weight	Height A	Depth B	C	D	E	F	G	H
TR60	120V	60W	8A	3.7 lbs.	7-1/2"	2-15/16"	3"	3-7/64"	1-1/2"	1-1/16"	1-1/2"	3/4"
TR150	120V	150W	25A	6 lbs.	8"	3-3/32"	4-3/32"	5-1/2"	4-1/8"	1-1/8"	1-5/16"	15/16"
TR300	120V	300W	25A	7.13 lbs.	8"	3-3/32"	4-3/32"	5-1/2"	4-1/8"	1-1/8"	1-5/16"	15/16"
TR600	120V	600W	25A	14.9 lbs.	9-13/32"	4-3/32"	4-19/32"	5-3/4"	4-5/8"	1-1/16"	1-1/2"	1-1/4"
TR60	277V	60W	8A	3.7 lbs.	7-1/2"	2-15/16"	3"	3-7/64"	1-1/2"	1-1/16"	1-1/2"	3/4"
TR150	277V	150W	25A	6 lbs.	8"	3-3/32"	4-3/32"	5-1/2"	4-1/8"	1-1/8"	1-5/16"	15/16"
TR300	277V	300W	25A	7.13 lbs.	8"	3-3/32"	4-3/32"	5-1/2"	4-1/8"	1-1/8"	1-5/16"	15/16"
TR600	277V	600W	25A	14.9 lbs.	9-13/32"	4-3/32"	4-19/32"	5-3/4"	4-5/8"	1-1/16"	1-1/2"	1-1/4"

**SPECIFICATIONS**

**Housing**  
Stainless steel, NEMA Outdoor 3R rated enclosure. [2] (TR60) or [3] (TR150-600) bottom entry 7/8" knockouts provide access to wiring compartment. Riveted, hinged cover opens vertically from bottom to top for service access.

**Transformer**  
Fully encapsulated, Class B insulated, low voltage magnetic transformer. 120VAC or 277VAC input. 12VAC output (fully loaded). 0.6A (120VAC) or 0.3A (277VAC) maximum no load input current. Manual thermal reset. Secondary circuit breaker. Enclosure temperature <65° C when fully loaded (in 40° C ambient).

For use with halogen and **ESSL** products. Fully dimmable utilizing magnetic low voltage dimmers. Consult fixture specification for dimming capability.

**Output Wiring**  
See B-K Lighting Low Voltage Design Guide on reverse.

**Warranty**  
Limited five year warranty.

**Certification and Listings**  
Nema Type 3R Enclosure. Suitable for indoor and outdoor use. UL Listed to ANSI/UL Standard 1012.



<b>B-K LIGHTING</b>	40429 Brickyard Drive • Madera, CA 93636 • USA 559.438.5800 • FAX 559.438.5900 www.bklighting.com • info@bklighting.com	SUBMITTAL DATE	SUBMITTAL NUMBER
		7-30-13	TR-SERIES

THIS DOCUMENT CONTAINS PROPRIETARY INFORMATION OF B-K LIGHTING, INC. AND ITS RECEIPT OR POSSESSION DOES NOT CONVEY ANY RIGHTS TO REPRODUCE, DISCLOSE ITS CONTENTS, OR TO MANUFACTURE, USE OR SELL ANYTHING IT MAY DESCRIBE. REPRODUCTION, DISCLOSURE OR USE WITHOUT SPECIFIC WRITTEN AUTHORIZATION OF B-K LIGHTING, INC. IS STRICTLY FORBIDDEN.

# Low Voltage Guide

Many B-K LIGHTING fixtures operate on 12 volts. Taking advantage of these energy-saving fixtures requires appropriate care in planning the electrical wiring system. To maintain expected lamp performance, we recommend the following procedures in sizing your low-voltage wiring system.

## SIZING OF LOW VOLTAGE WIRING

1. Locate and plot fixtures on plan. Choose the lighting equipment necessary to create the desired lighting effects. Mark lamp wattage for each fixture location.
2. Identify potential transformer locations. The ideal locations are those which provide for the shortest possible low voltage distances (inconspicuous areas, behind rocks, shrubbery, etc., within the landscape). UPM, Power Pipe™, Power Pipe II™, or, if available, transformers integral in the fixture are good ways to hide the transformer and reduce voltage drop problems.
3. Add the total wattage for the proposed low voltage run. Measure the wire lengths from the transformer to the fixture locations. Find the distance to the "CENTER OF LOAD" of the low voltage run.

$$\text{CENTER OF LOAD} = \frac{\text{Distance from first to last fixture}}{(2) \text{ Two}} + \text{Distance from transformer to first fixture}$$

4. Using the B-K LIGHTING Wire Selection Table, select the wattage column which applies. Look down the column stopping at a distance, in feet, that is equal or greater than the "CENTER OF LOAD" distance. Look across to find the proper wire size for your layout.

*Note: In the event of multiple runs from a given transformer, treat each run separately.*

### 12-VOLT WIRE SELECTION TABLE

WIRE SIZE	TOTAL WATTAGE																
	12	20	24	35	40	50	60	70	80	100	105	120	140	150	160	200	250
12	178	106	89	60	53	42	35	30	26	21	20	17	15	13	—	—	—
10	283	169	141	96	85	67	56	48	42	33	32	28	24	22	19	17	13
8	450	269	225	154	135	107	90	77	67	54	51	45	38	36	31	27	21
6	715	428	357	245	214	171	143	122	107	85	81	71	61	57	49	42	34

### CENTER OF LOAD WIRING DISTANCES IN FEET

The Wire Selection Table provided is based on a maximum allowable voltage drop of 5%. Electrical designs which allow greater than 5% voltage drop, reduce rated light output beyond acceptable levels.

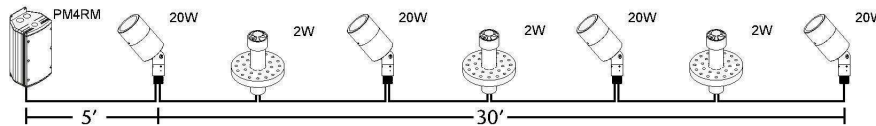
The importance of the proper wire selection is demonstrated below. Both examples have the same total watts and identical overall lengths of wire run, yet require different wire sizes, or multiple wire runs, to operate within the 5% maximum voltage drop B-K LIGHTING criteria.

#### EXAMPLE:

Total wattage:  
(20w x 4) + (2w x 3) = 86 watts

CENTER OF LOAD:  
 $(\frac{30'}{2}) + 5' = 20'$

SINGLE WIRE RUN:  
12 gauge

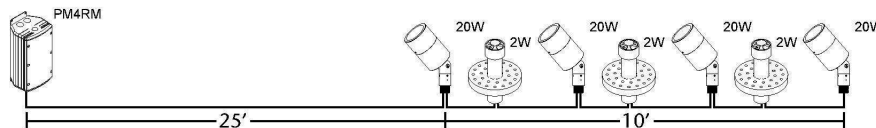


#### EXAMPLE:

Total wattage:  
(20w x 4) + (2w x 3) = 86 watts

CENTER OF LOAD:  
 $(\frac{10'}{2}) + 25' = 30'$

SINGLE WIRE RUN:  
10 gauge



## TRANSFORMERS

For areas which are far reaching from fixtures, running 120 volt power to each fixture location with individual transformers, such as TRSS75 or TRSS150, provides an excellent economic solution to voltage drop. These transformers can also be specified in the UPM, Power Pipe™, and Power Pipe II™ transformer housings.

*Note: Installations should be in accordance with the National Electric Code and applicable local codes.*

Exterior rated recessed downlight with tempered glass lens.  
Finish: Bronze

*Manufacturer:* MP Lighting

*Fixture Line:* L370-L01

*Fixture:* Exterior Recessed Light

*Catalog #:* L370-L01-2-W27H-N-F-D-S-0-BZ

*Mounting:* Recessed at Trellis

*Fixture Wattage:* 3w

*Fixture Voltage:* 120

*Load Type:* ELV

*Lamp Spec:* Integral LED, 2700K 82 lm, 90+  
CRI, 30° beam optic

*Lamp Voltage:* 120

**Fixture Specification Notes**

- 1) Fixture shall be furnished with mounting and electrical connection hardware accessories as required for proper installation.
- 2) Verify fixture finish with Architect prior to ordering.



Specification Sheet / Ingrade / L370-L01



**Type:**

**Project:**

**Modified:**

**Quantity:**

**Notes: PLEASE READ** - When using a control system, consult dimming system manufacturer with minimum load before installing 12V AC transformer. Malfunction and damage to product due to improper dimming system installation or misuse will not be covered under warranty. Only DC Drivers are recommended for dimming systems. Consult MP Lighting for recommended drivers.

**Order Guide**

Example: L370-L01-1-W27S-S-C-A-S-0-MA

Code	Wattage	Color	Beam	Lens	Input Voltage	Flange Height	Base Height	Finish
<b>L370-L01</b>	-							
	1 = 1W 2 = 2.5W	<b>W20S</b> = 2000K, std CRI <b>W22S</b> = 2200K, std CRI <b>W27S</b> = 2700K, std CRI <b>W30S</b> = 3000K, std CRI <b>W35S</b> = 3500K, std CRI <b>W41S</b> = 4100K, std CRI <b>W27H</b> = 2700K, high CRI <b>W30H</b> = 3000K, high CRI <b>W35H</b> = 3500K, high CRI	<b>S</b> = spot (7°) <b>N</b> = narrow flood (30°) <b>W</b> = wide flood (120°)	<b>C</b> = clear <b>F</b> = frosted	<b>A</b> = 12V AC <i>*12V AC not available for W22S/W41S &amp; high CRI</i> <b>D</b> = DC <i>*DC not available for W20S</i>	<b>S</b> = standard flange 7/8" (22mm)	<b>0</b> = no base <b>2</b> = 2" (51mm) <b>6</b> = 6" (152mm)	<b>MA</b> = matte clear anodized <b>BA</b> = black anodized <b>BZ</b> = bronze anodized <b>S6</b> = stainless steel 316
		<i>*12V AC not available for W22S/W41S &amp; high CRI</i> <i>*DC not available for W20S</i>						

**L370-L01**

**Application** Exterior/Interior directional in-grade luminaire for lighting walls, columns, architectural features or landscape features. Applicable for mounting into floors, walls, ceilings or other surfaces where a non-obtrusive luminaire is required.

Suitable for walk-over and drive-over applications up to 5,500 Kg (12,000lbs). For wet and dry locations.

**IP Rating** 66

**Mounting** Comes with splice box, aluminum flange and level gauge. Designed to be cast into concrete or inserted into paving stone. Includes 6" wire lead.

**Electrical** Powered by remote dimmable/ non-dimmable driver (sold separately).

*\*See website for recommended drivers*

*\*Remote emergency driver / inverter options available. Consult factory.*

**Power** 1.5 Watt (at 350 mA, 1.0 Watt)

**Consumption** 3.0 Watt (at 700 mA, 2.5 Watt)

**Light Output** 1.0 Watt, 51~61lm

2.5 Watt, 78~82lm

*\*For photometric data, see page 03*

**Warranty** 5 years limited warranty

Estimated useful life of LED is 50,000 hours.

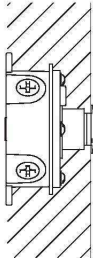
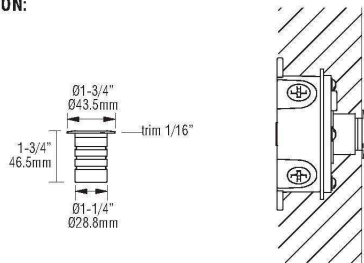
**Material** Solid anodized aluminum or marine grade stainless steel (316) with tempered glass lens, RoHS compliant.

**Weight** -

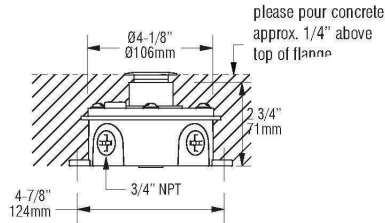
**Approval**

Specification Sheet / Ingrade / L370-L01

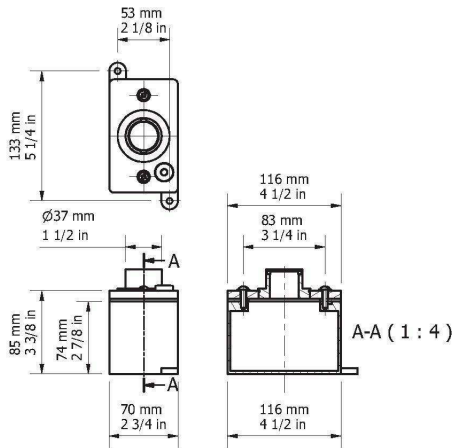
**DIMENSION:**



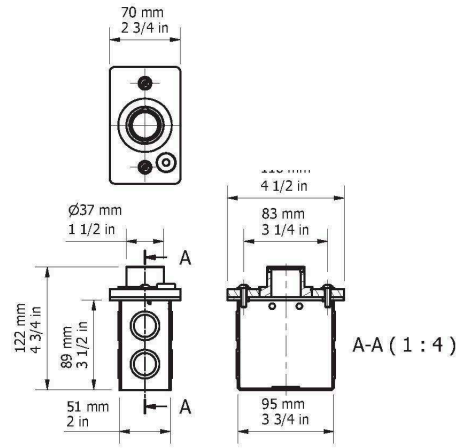
Wall mount



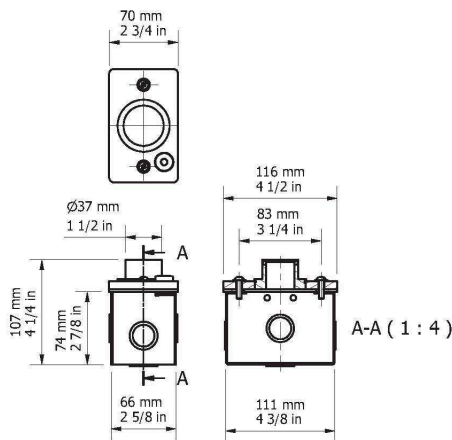
Standard flange



Scepter box (Scepter FD)



Single Gang Box 1 (Iberville BCMBD1-K)

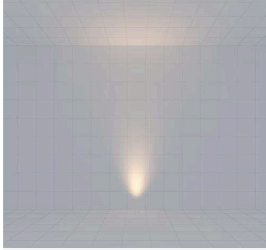


Single Gang Box 2

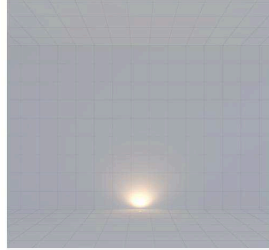
Specification Sheet / Ingrade / L370-L01

**LIGHT DISTRIBUTION:**

**1.0Watt**

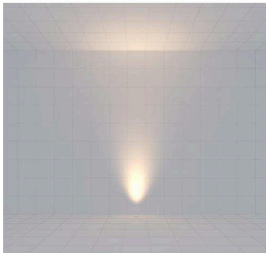


30° (Narrow Flood Beam), Clear lens,  
Matte clear anodized

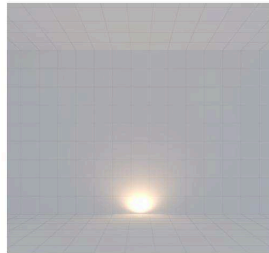


120° (Wide Flood Beam), Clear lens,  
Matte clear anodized

**2.5Watt**



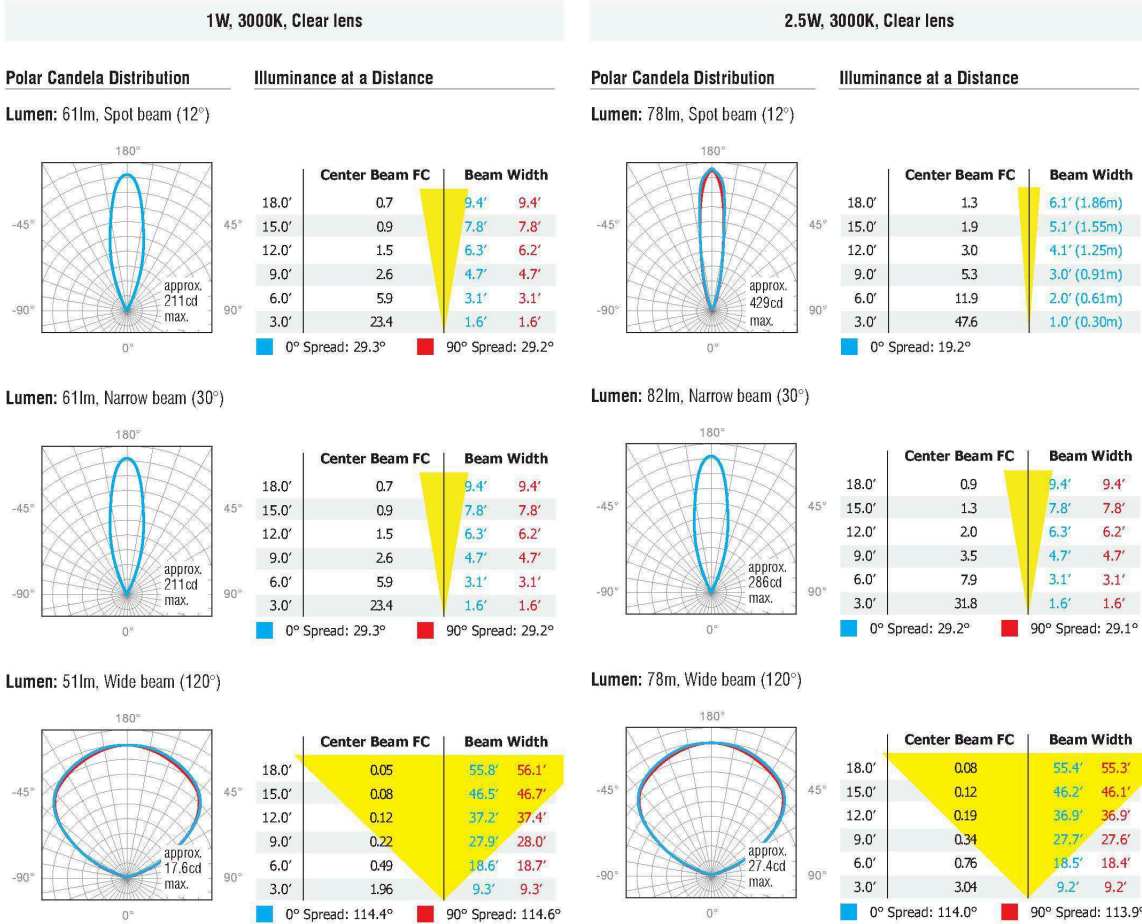
30° (Narrow Flood Beam), Clear lens,  
Matte clear anodized



120° (Wide Flood Beam), Clear lens,  
Matte clear anodized

Specification Sheet / Ingrade / L370-L01

**PHOTOMETRIC DATA:**



18W 700mA constant current driver

**Manufacturer:** MP Lighting  
**Fixture Line:** LED18W700i  
**Fixture:** 700mA constant current driver  
**Catalog #:** LED18W700iB  
**Mounting:** Surface

**Fixture Voltage:** 120  
**Load Type:** ELV

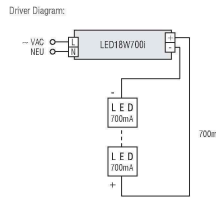
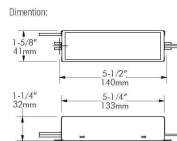
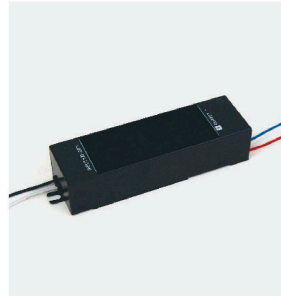
**Lamp Spec:** N/A

**Lamp Voltage:** N/A

**Fixture Specification Notes**

- 1) Contractor to verify location of remote ballasts/ drivers/transformers/power supplies with Architect.
- 2) Fixture shall be furnished with mounting and electrical connection hardware accessories as required for proper installation.
- 3) Remote driver to be located in nearby, accessible, well-ventilated location.

Copyright © MP Lighting. All technical information in this document is subject to change. 04-2014



For use with 3-6 2.5W LED light fixtures (700mA) in series. LED 700mA = 700mA LED Lighting Fixture  
 Minimum two 700mA LEDs

**Specification Sheet**  
**LED18W700iB**  
**LED18W700i**

Constant Current LED Driver

- Features:**
- Suitable for indoor and outdoor
  - High efficiency
  - UL Class 2
  - Phase dimmable (ELV)

AC Input Voltage:	120 ~ 277V, 50/60Hz
DC Output Voltage:	4-26V
DC Output Current:	700mA Constant
Output Wattage:	18W Max
Power Factor:	0.97 Min
Typical Efficiency:	83-84%
Short Circuit Protection:	Yes
Overload Protection:	Yes
Over-voltage Protection:	Yes
Dimming Function:	Dimmable with ELV dimmer (trailing edge)
Dimmable (trailing edge):	10% (down to)
Operating Temperature:	-25 ~ 50°C (-77 ~ 122°F)
Storage Temperature:	-10 ~ 70°C (-50 ~ 158°F)
Case Temperature:	90°C (194°F)
Case Material:	Aluminum
Weight:	280g (0.62lb)
Approval:	UL Class 2, IP67



**Note: Consult factory for maximum wiring length.**  
**Caution: Do not install on-off switch at the output (load) side of a constant current LED driver as it will damage the fixture(s). Warranty will be void on both driver and fixture(s).**

**\*USE WITH EBX-160-ZP ENCLOSURE**

ORDER CODE	ENCLOSURE
LED18W700i	B

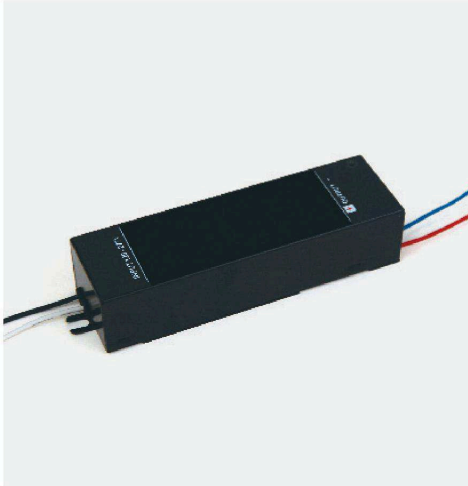
B = drive enclosure (8-1/4" x 5" x 2")

[ Project ]

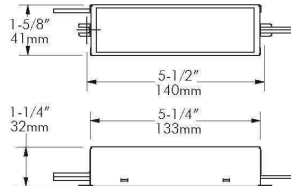
[ Quantity ]

[ Notes ]

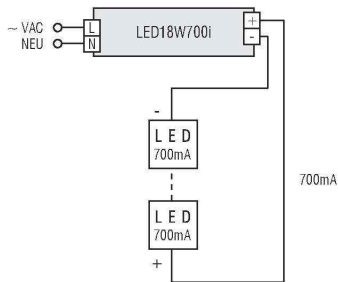
Copyright © MP Lighting. All technical information in this document is subject to change. 04-2014




Dimension:



Driver Diagram:



For use with 2-6 2.5W LED light fixtures (700mA) in series.  
 = 700mA LED Lighting Fixture  
 Minimum two 700mA LEDs

Specification Sheet

**LED18W700iB**  
**LED18W700i**

Constant Current LED Driver

**Features:**

- Suitable for indoor and outdoor
- High efficiency
- UL Class 2
- Phase dimmable (ELV)

AC Input Voltage:	120~277V, 50/60Hz
DC Output Voltage:	4-26V
DC Output Current:	700mA Constant
Output Wattage:	18W Max
Power Factor:	0.97 Min
Typical Efficiency:	83-84%
Short Circuit Protection:	Yes
Overload Protection:	Yes
Over-voltage Protection:	Yes
Dimming Function:	Dimmable with ELV dimmer (trailing edge)
Dimmable (trailing edge):	10% (down to)
Operating Temperature:	-25 ~ 50°C (-77 ~ 122°F)
Storage Temperature:	-10 ~ 70°C (-50 ~ 158°F)
Case Temperature:	90°C (194°F)
Case Material:	Aluminum
Weight:	280g (0.62lb)
Approval:	UL Class 2, IP67



**Note:** Consult factory for maximum wiring length.

**Caution:** Do not install on-off switch at the output (load) side of a constant current LED driver as it will damage the fixture(s).  
**Warranty will be void on both driver and fixture(s).**

**\*USE WITH EBX-160-ZP ENCLOSURE**

ORDER CODE	ENCLOSURE
<b>LED18W700i</b>	<b>B</b>

**B** = drive enclosure  
(6-1/4" x 5" x 2")

[ Project ]

[ Quantity ]

[ Notes ]

Recessed wall mount LED step light.

*Manufacturer:* BK  
*Fixture Line:* Mini Micro Step Star  
*Fixture:* Recessed Steplight  
*Catalog #:* CM-LED-e70-Finish TBD  
*Mounting:* Recessed wall mount

*Fixture Wattage:* 3w  
*Fixture Voltage:* 12  
*Load Type:* LED

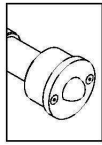
*Lamp Spec:* Integral 2700K LED, 120lm, 90 CRI

*Lamp Voltage:* 12V

**Fixture Specification Notes**

- 1) Confirm fixture finish with Architect prior to ordering.
- 2) Fixture shall be furnished with mounting and electrical connection hardware accessories as required for proper installation.



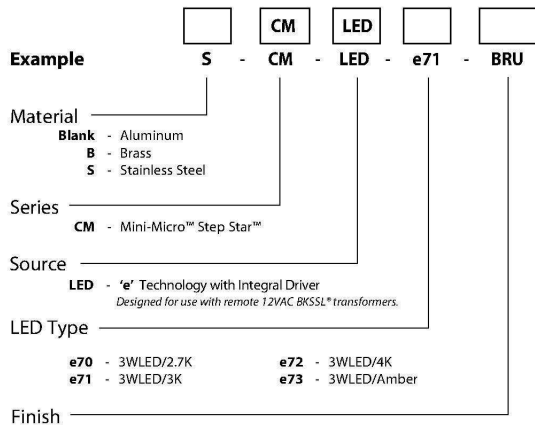


the power of

**MINI-MICRO™  
STEP STAR™**

PROJECT:	
TYPE:	
CATALOG NUMBER:	
SOURCE:	
NOTES:	

**CATALOG NUMBER LOGIC**



Aluminum Finish			Brass Finish		Premium Finish		
Powder Coat Color	Satin	Wrinkle	Machined	MAC	ABP	CMG	RMG
Bronze	BZP	BZW	Polished	POL	AMG	CRI	SDS
Black	BLP	BLW	Mitique™	MIT	AQW	CRM	SMG
White (Gloss)	WHP	WHW	Stainless Finish		BCM	HUG	TXF
Aluminum	SAP	—	Machined	MAC	BGE	MDS	WCP
Verde	—	VER	Polished	POL	BPP	NBP	WIR
			Brushed	BRU <small>Interior use only.</small>	CAP	OCP	
							<small>Also available in RAL Finishes See submittal SUB-1439-00</small>

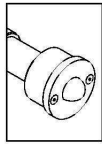
**LM79 DATA**


BK No.	CCT (Typ.)	Input Watts (Typ.)	CRI
e70	2700K	3	80
e71	3000K	3	80
e72	4000K	3	80
e73	Amber (590nm)	3	~

**L70 DATA**

Minimum Rated Life (hrs.) 70% of initial lumens (L70)
50,000
50,000
50,000
50,000

<b>B-K LIGHTING</b>	40429 Brickyard Drive • Madera, CA 93636 • USA 559.438.5800 • FAX 559.438.5900 www.bklighting.com • info@bklighting.com	RELEASED 01-29-16	DRAWING NUMBER SUB000934
---------------------	---	----------------------	-----------------------------

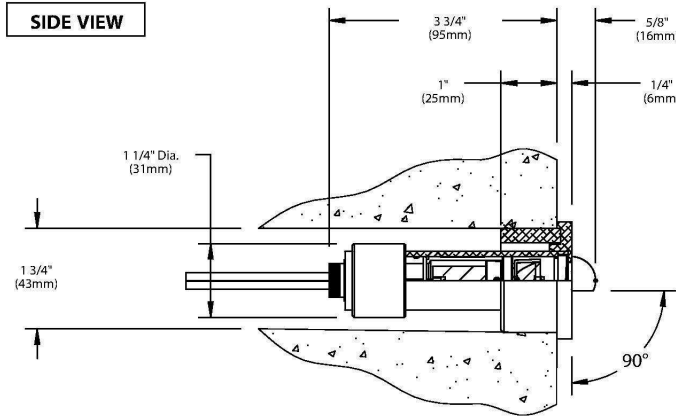


the power of 

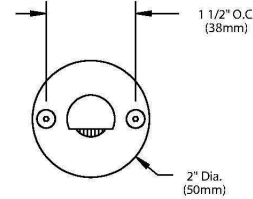
**MINI-MICRO™  
STEP STAR™**

PROJECT:	
TYPE:	

**SIDE VIEW**



**FACEPLATE DETAIL**



**Accessories** (Configure separately)

**Remote options:**



TR Series



UPMRM™

All dimensions indicated on this submittal are nominal.  
Contact Technical Sales if you require more stringent specifications.

**SPECIFICATIONS**

**GreenSource Initiative™**

Metal and packaging components are made from recycled materials. Manufactured using renewable solar energy, produced on site. Returnable to manufacturer at end of life to ensure cradle-to-cradle handling. Packaging contains no chlorofluorocarbons (CFC's). Use of this product may qualify for GreenSource efficacy and recycling rebate(s). Consult [www.bklighting.com/greensource](http://www.bklighting.com/greensource) for program requirements.

**Materials**

Furnished in Copper-Free Aluminum (Type 6061-T6), Brass (Type 360) or Stainless Steel (Type 316).

**Body**

Fully machined from solid billet. Unibody design provides enclosed, water-proof wireway and integral heat sink for maximum component life. High temperature, silicone 'O' Ring provides water-tight seal. Provided with hard-coat (Type III) black anodize finish for maximum corrosion resistance. Weather-tight cable connector with 5'0," 18Ga., 2 wire low voltage cable.

**Faceplate**

Fully machined from solid billet. Countersunk holes provide for flush hardware mounting (by others).

**Lens**

Shock resistant, tempered, glass lens is factory adhered to faceplate and provides hermetically sealed optical compartment.

**BKSSL®**

Integrated solid state system with 'e' technology. High power, forward throw source complies with ANSI C78.377 binning requirements. Exceeds ENERGY STAR® lumen maintenance requirements. LM-80 certified components.

Integral non-dimming driver. Minimum 50,000 hour rated life at 70% of initial lumens (L70). BKSSL technology provides long life, significant energy reduction and exceptional thermal management.

**Optics and Cutoff**

Rectilinear design provides wide lateral distribution and long forward throw. 90° optical cutoff for mounting heights well below typical visual glare angles.

**Installation**

Fixture provided with installation collar machined from solid, copper-free aluminum. Epoxy provided to facilitate fixture mounting directly into architecture eliminating the need for anchors. [2] threaded holes for faceplate installation. 1-3/4" dia. hole required for slip fit.

**Remote Transformer**

For use with 12VAC BKSSL remote transformer or magnetic transformers only. B-K Lighting cannot guarantee performance with third party manufacturers' transformers.

**Wiring**

Teflon® coated, 18AWG, 600V, 250° C rated and certified to UL 1659 standard. Anti-Siphon Valve (ASV™) prevents "wicking" through conductor insulation.

**Hardware**

Tamper-resistant, stainless steel hardware. Mounting hardware by others. Faceplate screws are additionally black oxide treated for additional corrosion resistance.

**Finish**

StarGuard®, our exclusive RoHs compliant, 15 stage chromate-free process cleans and conversion coats aluminum components prior to application of Class 'A' TGIC polyester powder coating. Brass components are available in powder coat or handcrafted metal finish. Stainless steel components are available in handcrafted metal finish. (Brushed finish for interior use only).

**Warranty**

5 year limited warranty.

**Certification and Listing**

ITL tested to IESNA LM-79. UL Listed. Certified to CAN/CSA/ANSI Standards. RoHs compliant. Suitable for indoor or outdoor use. Suitable for installation in combustible materials (Type Non-IC). Suitable for use in wet locations. Suitable for installation within 4' of the ground. IP65 Rated. Made in USA.



\*Teflon is a registered trademark of DuPont Corporation.  
\*Energy Star is a registered trademark of the United States Environmental Protection Agency.

DECORATIVE PENDANT/CEILING LIGHT PER INTERIOR DESIGN FF&E.  
REFER TO INTERIOR DESIGN FF&E SPECIFICATIONS FOR MORE INFORMATION.  
**\*\*ALLOW 300W PER LOCATION\*\***

*Manufacturer:* Decorative Pendant TBD  
*Fixture Line:* Decorative Pendant TBD  
*Fixture:* Large Decorative Pendant 300W  
*Catalog #:* Per Interior Design FF&E Specs  
*Mounting:* Ceiling

*Fixture Wattage:* 300w  
*Fixture Voltage:* 120VAC  
*Load Type:* INC

*Lamp Spec:* Refer to interior design FF&E  
specification for more information.

**Fixture Specification Notes**

1) Verify lighting load and load type with final  
interior design specifications.

DECORATIVE PENDANT TBD  
ALLOW 300 WATTS EACH LOCATION

DECORATIVE PENDANT TBD  
ALLOW 300 WATTS EACH LOCATION

---

Typical Switched/Dimmed Receptacle

Floor switched or dimming receptacle for the purpose of powering cord & plug decorative lighting fixtures.

*Manufacturer:* By Others

*Fixture Line:* Floor Switched Outlet

*Fixture:* Floor switched Outlet

*Catalog #:* Wall Switched Outlet

*Fixture Voltage:* 120VAC

*Load Type:* INC

*Lamp Spec:* N/A

**Fixture Specification Notes**

1) Shown for intent only, refer to Architect's specifications for the exact model and finish of wall receptacles. If dimming is required, only NEC compliant receptacles for dimming circuits shall be used.

SWITCHED FLOOR OUTLET (by others)

FLOOR OUTLET CONNECTED TO LIGHTING CONTROL  
SYSTEM FOR DECORATIVE LIGHTING PER  
INTERIOR DESIGNER

REFER TO INTERIOR DESIGN DOCUMENTS  
FOR MORE INFORMATION

Refer to Architect's electrical plans and  
verify all final mounting locations with Architect.

SWITCHED FLOOR OUTLET (by others)

FLOOR OUTLET CONNECTED TO LIGHTING CONTROL  
SYSTEM FOR DECORATIVE LIGHTING PER  
INTERIOR DESIGNER

REFER TO INTERIOR DESIGN DOCUMENTS  
FOR MORE INFORMATION

Refer to Architect's electrical plans and  
verify all final mounting locations with Architect.

Exterior half switched outlet for the purpose of powering cord & plug decorative lighting fixtures.

*Manufacturer:* TBD

*Fixture Line:* Wall Receptacle

*Fixture:* 120V Half Switched Wall Receptacle

*Catalog #:* Exterior Half Switched Outlet

*Fixture Voltage:* 120VAC

*Load Type:* INC

*Lamp Spec:* N/A

**Fixture Specification Notes**

1) Shown for intent only, refer to Architect's specifications for the exact model and finish of wall receptacles. If dimming is required, only NEC compliant receptacles for dimming circuits shall be used.

HALF SWITCHED OR DIMMED OUTLET (by others)  
WALL OUTLET CONNECTED TO LIGHTING CONTROL  
SYSTEM FOR DECORATIVE LIGHTING PER  
INTERIOR DESIGNER.

REFER TO INTERIOR DESIGN DOCUMENTS FOR  
MORE INFORMATION.

**Refer to Architect's electrical plans and verify all final  
mounting locations with Architect.**

HALF SWITCHED OR DIMMED OUTLET (by others)

WALL OUTLET CONNECTED TO LIGHTING CONTROL  
SYSTEM FOR DECORATIVE LIGHTING PER  
INTERIOR DESIGNER.

REFER TO INTERIOR DESIGN DOCUMENTS FOR  
MORE INFORMATION.

**Refer to Architect's electrical plans and verify all final  
mounting locations with Architect.**

**Typical Switched/Dimmed Receptacle**

---

Wall switched or dimming receptacle for the purpose of powering cord & plug decorative lighting fixtures.

*Manufacturer:* TBD

*Fixture Line:* Decorative Wall Sconce

*Fixture:* Outdoor Sconce

*Catalog #:* Wall Switched Outlet

*Fixture Voltage:* 120VAC

*Load Type:* INC

*Lamp Spec:* N/A

**Fixture Specification Notes**

1) Shown for intent only, refer to Architect's specifications for the exact model and finish of wall receptacles. If dimming is required, only NEC compliant receptacles for dimming circuits shall be used.

HALF SWITCHED OUTLET (by others)

WALL OUTLET CONNECTED TO LIGHTING CONTROL SYSTEM FOR DECORATIVE LIGHTING PER INTERIOR DESIGNER.

REFER TO INTERIOR DESIGN DOCUMENTS FOR MORE INFORMATION.

Refer to Architect's electrical plans and verify all final mounting locations with Architect.

HALF SWITCHED OUTLET (by others)

WALL OUTLET CONNECTED TO LIGHTING CONTROL  
SYSTEM FOR DECORATIVE LIGHTING PER  
INTERIOR DESIGNER.

REFER TO INTERIOR DESIGN DOCUMENTS FOR  
MORE INFORMATION.

Refer to Architect's electrical plans and verify all final  
mounting locations with Architect.