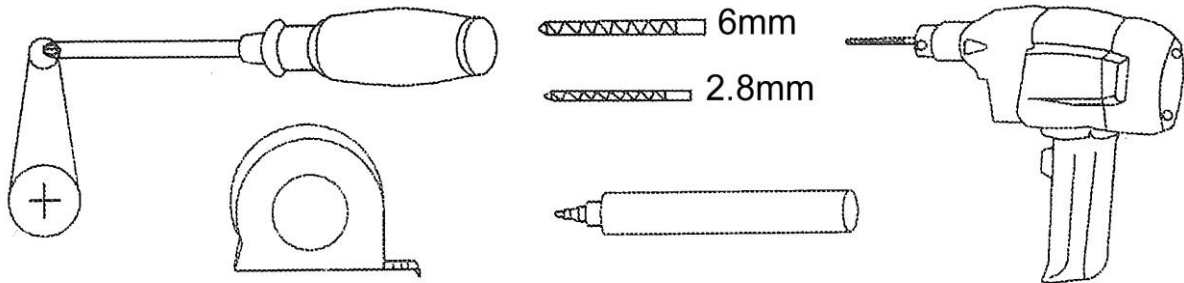


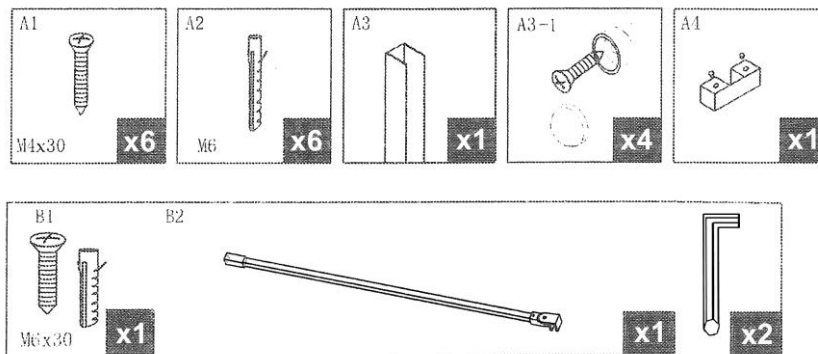
Ezheat

Shower screen

Tools needed



Included



Tools needed

Cross head screwdriver
Allan keys 4mm and 1mm
(included)
Drill with 6mm and 2.8mm
drill bits
Measuring tape
Pencil/pen

Included

7 screws 6mm **A1 + B1**
7 wall plugs **A2 + B1**
1 wall bracket **A3**
4 screws 2.8MM and caps **A3-1**
1 floor bracket **A4**
1 support beam **B2**
1 glass shower screen
1 screen bracket
1 rubber waterproof seal
1 Plastic resting plate

Step 1: Measure the distance you want the screen from the wall (the support beam is approx 900mm)

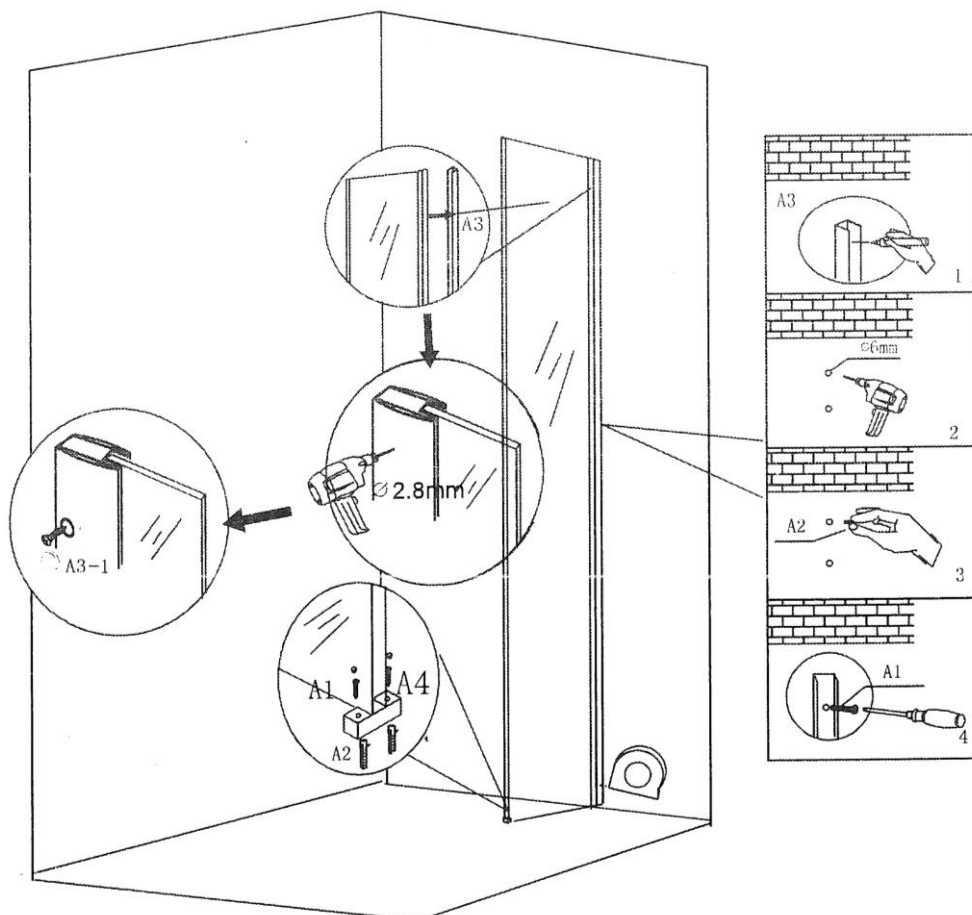
Step 2: Place the wall bracket (A3) against the wall you wish to install the screen on and mark the holes with a pen/pencil

Step 3: Drill the holes with the 6mm drill bit then insert the wall plugs into the holes

Step 4: Place the wall bracket back against the wall lining up the holes with the plugs then screw the screws into the wall plugs securing the bracket to the wall

Step 5: Place the rubber waterproof seal down one of the long glass sides and slide the screen bracket into place over the rubber seal and place the plastic resting plate on the bottom of the screen

Step 6: Move the screen with the screen bracket against the wall bracket and push it into the wall bracket making sure it has fully covered the wall bracket



Step 7: When the screen and screen bracket are in place over the wall bracket use the 2.8mm drill head to drill holes through the screen bracket into the wall bracket **DO NOT DRILL INTO THE GLASS**

Step 8: Place the 2.8mm screws into the holes and screw them into place

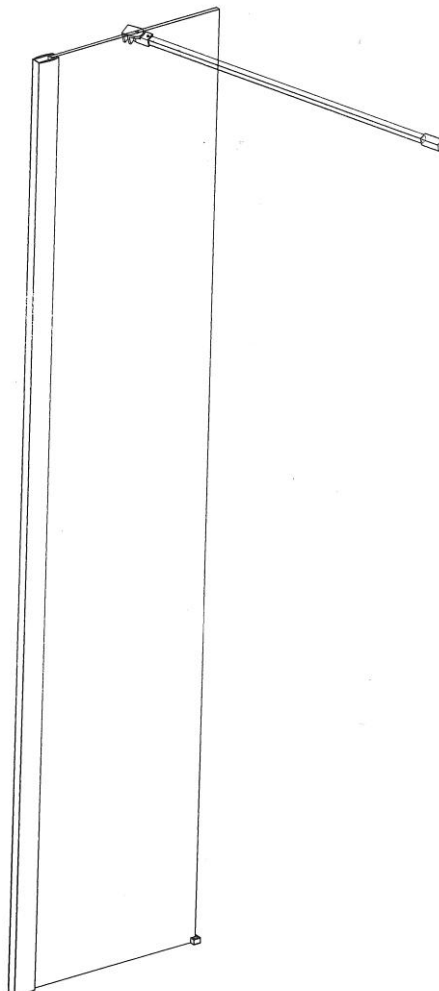
Step 9: Place the floor bracket (A4) at the bottom of the shower screen and slide it into place then mark where the holes are and drill holes with the 6mm drill bit and insert the plugs

Step 10: Place the floor bracket back over the holes and screw into place

Step 11: Place the support beam on the shower screen and move it so the other end is on the wall in the desired position and mark with pen/pencil

Step 12: Drill a hole on the marking and insert the wall plug

Step 13: Place the support beam back over the hole and fix into place with the screw and tighten all the bolts on both ends of the support beam



If you are installing a flipper panel (Sold separately)

Step 14: Place the 2 hinges approx 500mm from the top and bottom with the screws facing towards you on the flipper panel and tighten the screws

Step 15: Move into place at the end of the shower screen and place the hinges on the shower screen

Step 16: Lift the flipper slightly off the ground and tighten the screws on the shower screen

If you are installing a second screen and support bar (Sold separately)

Step 17: Fix the second shower screen to the wall following steps 1 through 10

Step 18: Remove the wall mount fixing at the end of the second bar and attach the 2nd shower screen bracket

Step 19: Place the support beam over the both the shower screens and place the brackets over the shower screens so the bar is at a 45 degree angle

Step 20: Tighten the brackets to fix it to the screens

