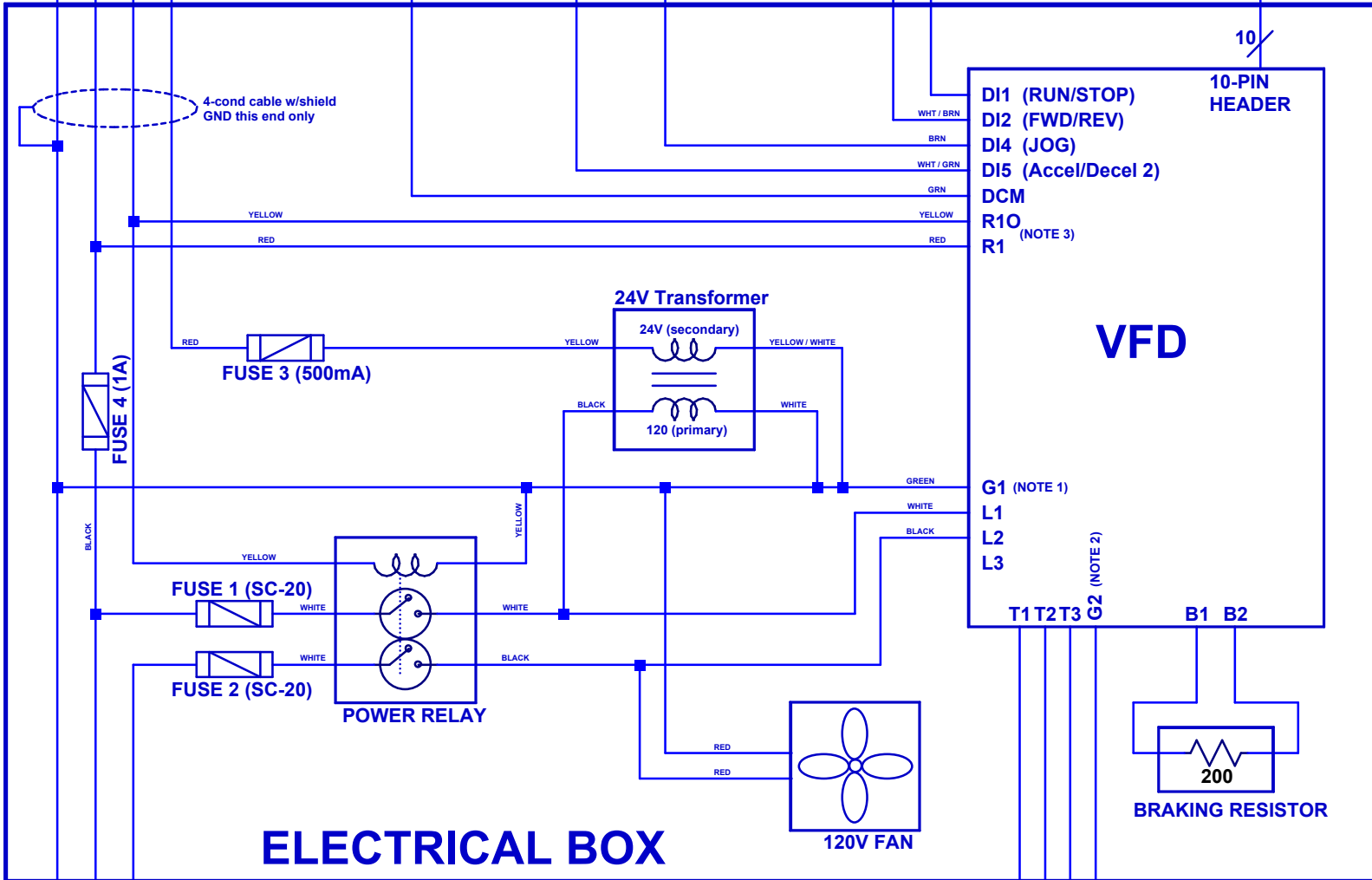
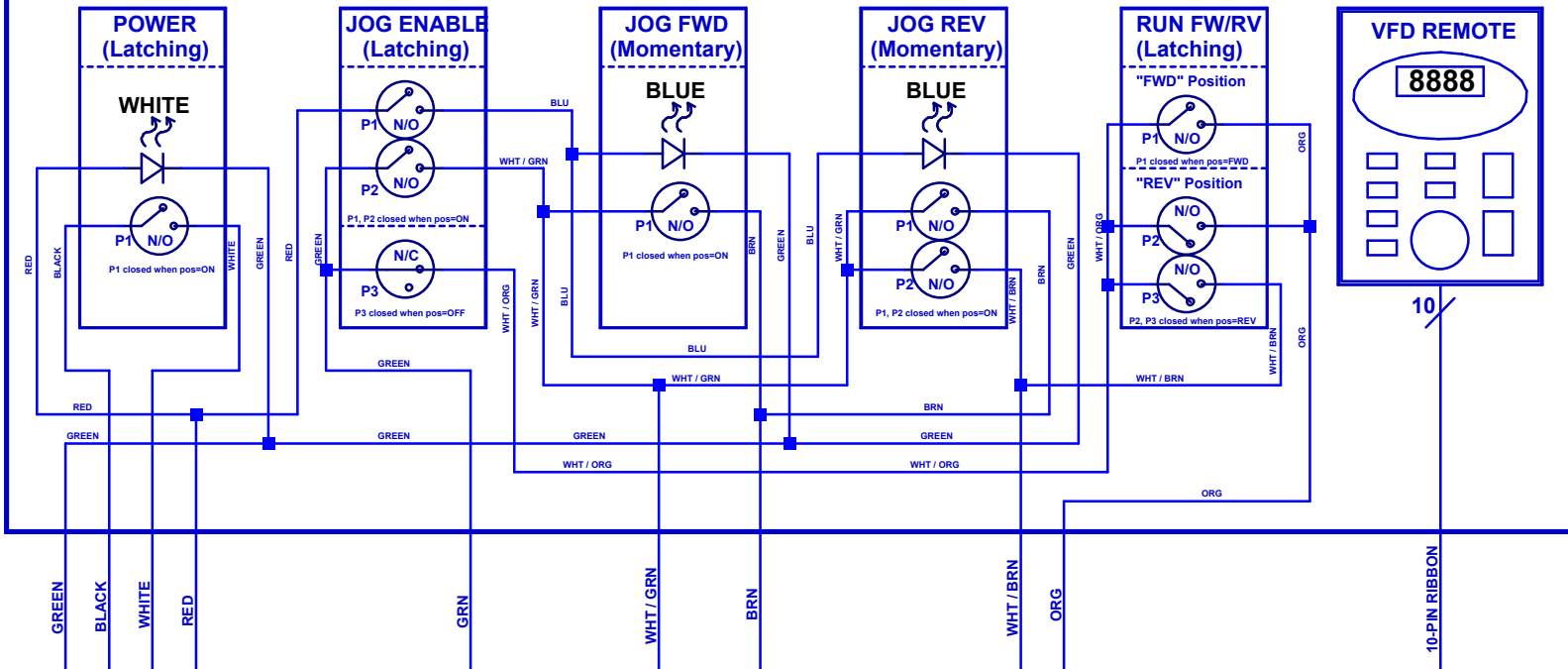


CONTROL PANEL



ELECTRICAL BOX

- NOTE 1: This ground is located near the line terminals
 NOTE 2: This ground is located near the motor terminals
 NOTE 3: Internal relay prevents shutting power off when motor running