

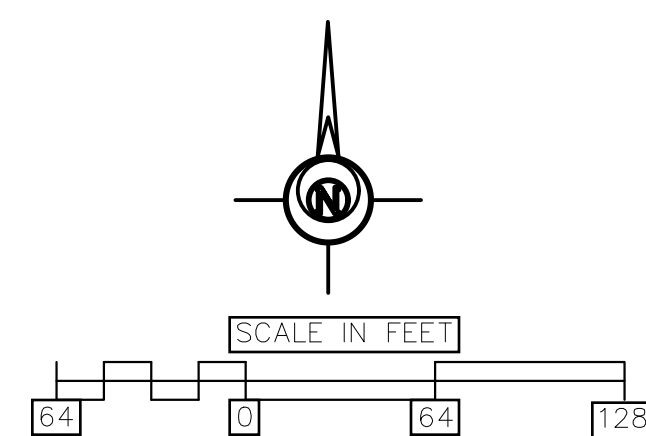


128

PROPOSED:
PROJECT SITE
September 13, 2017

Proposed Master Site

Twinsburg, Ohio



SCANNELL
PROPERTIES