

| | |
|-------------------------|-----------------------------|
| Engine | Cummins QSM11 |
| Gross Power | 261 kW (350 hp) @ 2,100 rpm |
| Net Power | 248 kW (332 hp) @ 2,100 rpm |
| Operating Weight | 30,400 kg |
| Standard Bucket Size | 5.4 m ³ |
| Standard Breakout Force | 245 kN |
| Standard Dump Clearance | 3,330 mm |

890H WHEEL LOADER



TOUGH WORLD. TOUGH EQUIPMENT.

890H SPECIFICATIONS >>>

ENGINE

| | |
|---------------------|---------------------------------------|
| Emission Regulation | Tier 2/ Stage II |
| Make | Cummins |
| Model | QSM11 |
| Gross Power | 261 kW (350 hp) @ 2,100 rpm |
| Net Power | 248 kW (332 hp) @ 2,100 rpm |
| Peak Torque | 1,776 N · m |
| Displacement | 10.8 L |
| Number of Cylinders | 6 |
| Aspiration | Turbocharged & Air-to-air intercooled |

TRANSMISSION

| | |
|---------------------------|------------------------------|
| Transmission Type | Countershaft, power shift |
| Torque Converter | Single stage, three elements |
| Maximum Travel Speed, fwd | 38.2 km/h |
| Maximum Travel Speed, rev | 26.5 km/h |
| Number of Speeds, fwd | 4 |
| Number of Speeds, rev | 3 |

AXLES

| | |
|-------------------------|--------------------------------|
| Differential Front Type | Differential Hydraulic Limited |
| Differential Rear Type | Conventional |
| Axle Oscillation | ± 13° |

STEERING

| | |
|--------------------------|-------------|
| Steering Configuration | Articulated |
| Steering Relief Pressure | 20.7 MPa |

BRAKES

| | |
|-------------------------|---------------------------|
| Service Brake Type | Wet discs brake |
| Service Brake Actuation | Hydraulic |
| Parking Brake Type | Manual electronic control |
| Parking Brake Actuation | Hydraulic |

HYDRAULIC SYSTEM

| | |
|--------------------------|--------|
| Main Pump Type | Piston |
| Main Relief Pressure | 26 MPa |
| Raise | 6 s |
| Dump Time | 1.6 s |
| Float Down Time | 3.4 s |
| Fastest Total Cycle Time | 11 s |

LOADER ARM PERFORMANCE

| | |
|---|-----------|
| Tipping Load - Straight | 25,827 kg |
| Tipping Load - Full Turn | 22,582 kg |
| Bucket Breakout Force | 245 kN |
| Maximum Dump Angle at Full Height | 45° |
| Dump Clearance at Full Height Discharge | 3,330 mm |
| Dump Reach at Full Height Discharge | 1,479 mm |
| Maximum Hinge Pin Height | 4,572 mm |
| Maximum Digging Depth, Bucket Level | 142 mm |
| Bucket Rollback at Ground Level | 45° |
| Bucket Rollback at Carry | 49° |
| Bucket Rollback at Maximum Height | 62° |

BUCKET PERFORMANCE

| | |
|------------------|--------------------|
| Reference Bucket | 5.4 m ³ |
|------------------|--------------------|

DIMENSIONS

| | |
|---------------------------------|----------|
| Length with Bucket Down | 9,352 mm |
| Width Over Tires | 3,170 mm |
| Wheelbase | 3,700 mm |
| Wheel Tread | 2,420 mm |
| Ground Clearance | 476 mm |
| Turn Angle, Either Side | 38° |
| Rear Angle of Departure | 25° |
| Turning Radius, Outside of Tire | 7,011 mm |
| Turning Radius, Center of Tire | 6,583 mm |
| Turning Radius, Bucket Carry | 7,725 mm |

TIRES

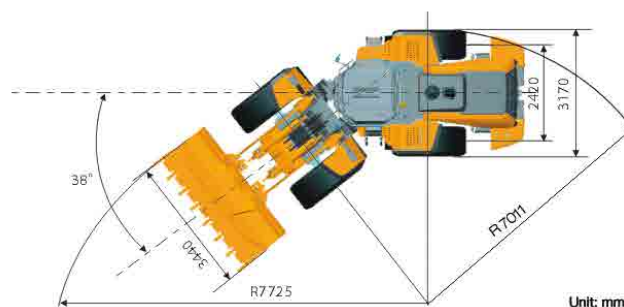
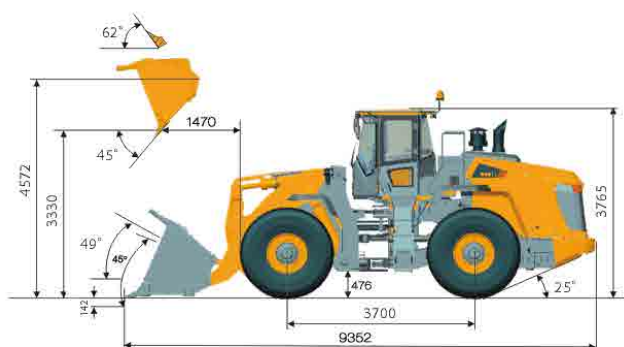
| | |
|-----------|-----------|
| Tire Size | 29.5 - 25 |
|-----------|-----------|

OPERATING WEIGHTS

| | |
|------------------|-----------|
| Operating Weight | 30,400 kg |
|------------------|-----------|

SERVICE CAPACITY

| | |
|-----------------------------------|-------|
| Fuel Tank | 483 L |
| Engine Oil | 33 L |
| Cooling System | 41 L |
| Hydraulic Reservoir | 402 L |
| Transmission and Torque Converter | 70 L |
| Axles, each | 65 L |



Unit: mm

Guangxi Liugong Machinery Co., Ltd.

No. 1 Liutai Road, Liuzhou, Guangxi 545007, PR China
T: +86 772 3886124 E: overseas@liugong.com

www.liugong.com

Specifications and designs are subject to change without notice. Machines shown may include optional equipment.

3/2015 Designed by LiuGong