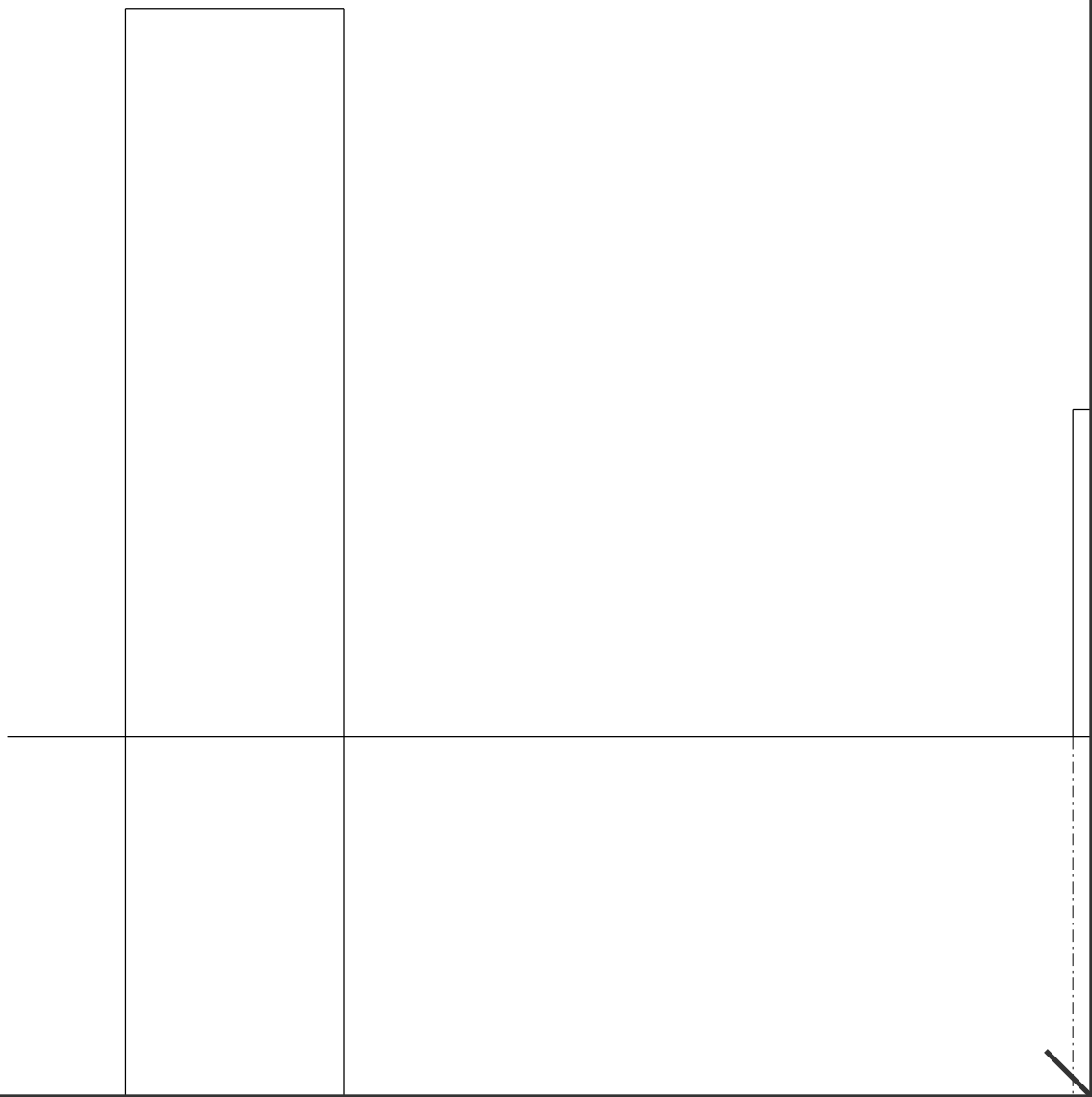
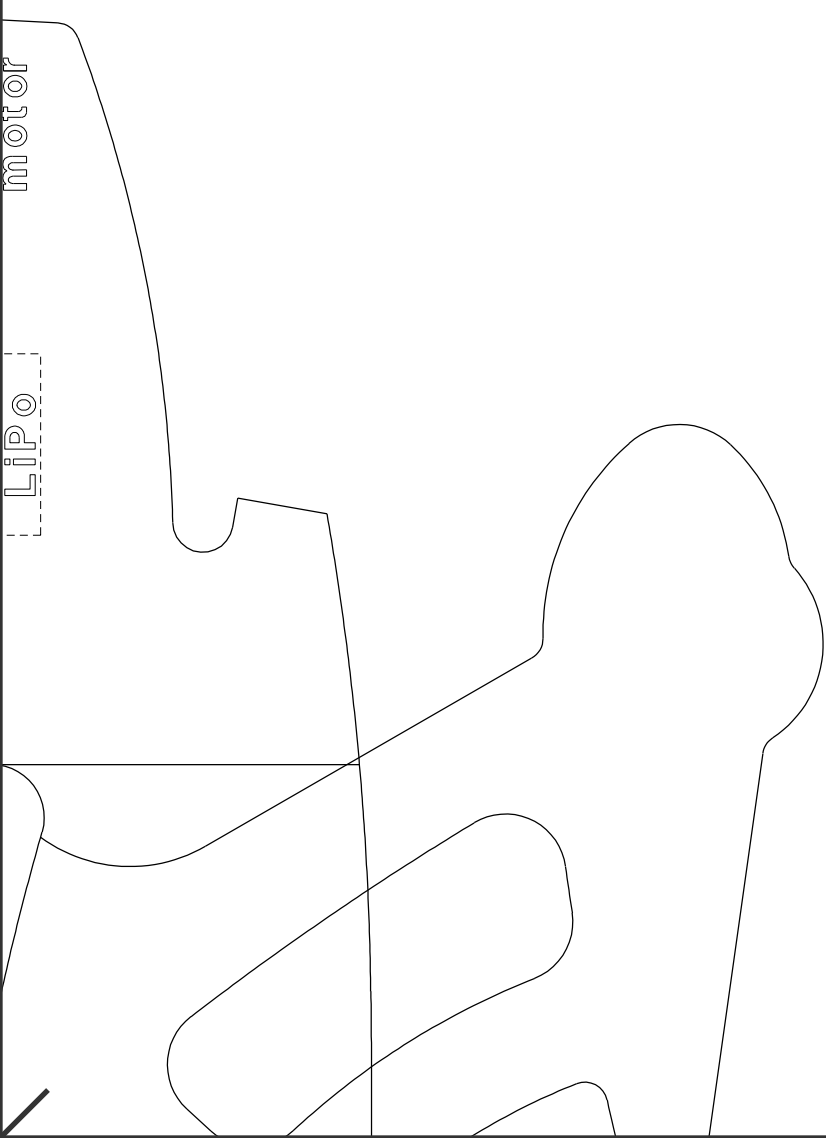


p1, row1, col1

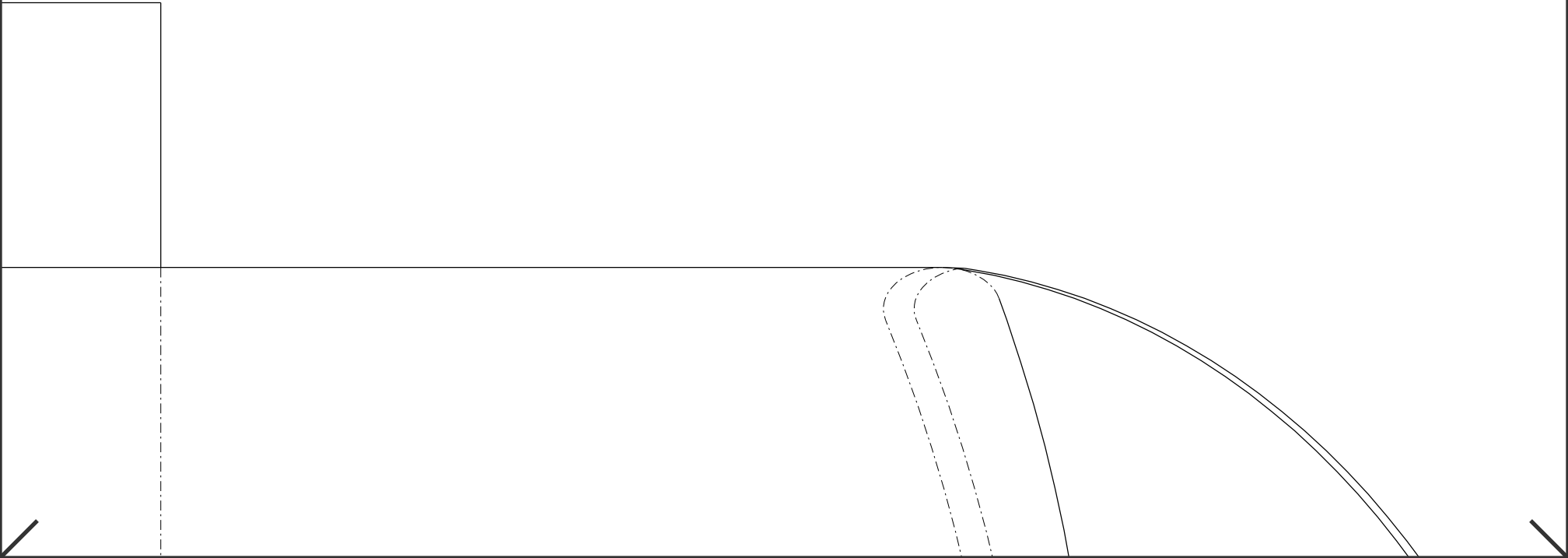


p1, row1, col2



p1, row1, col3

NUM reloaded - designed by MM - copyright 2010 Martin Müller



p1, row1, col4

MAG

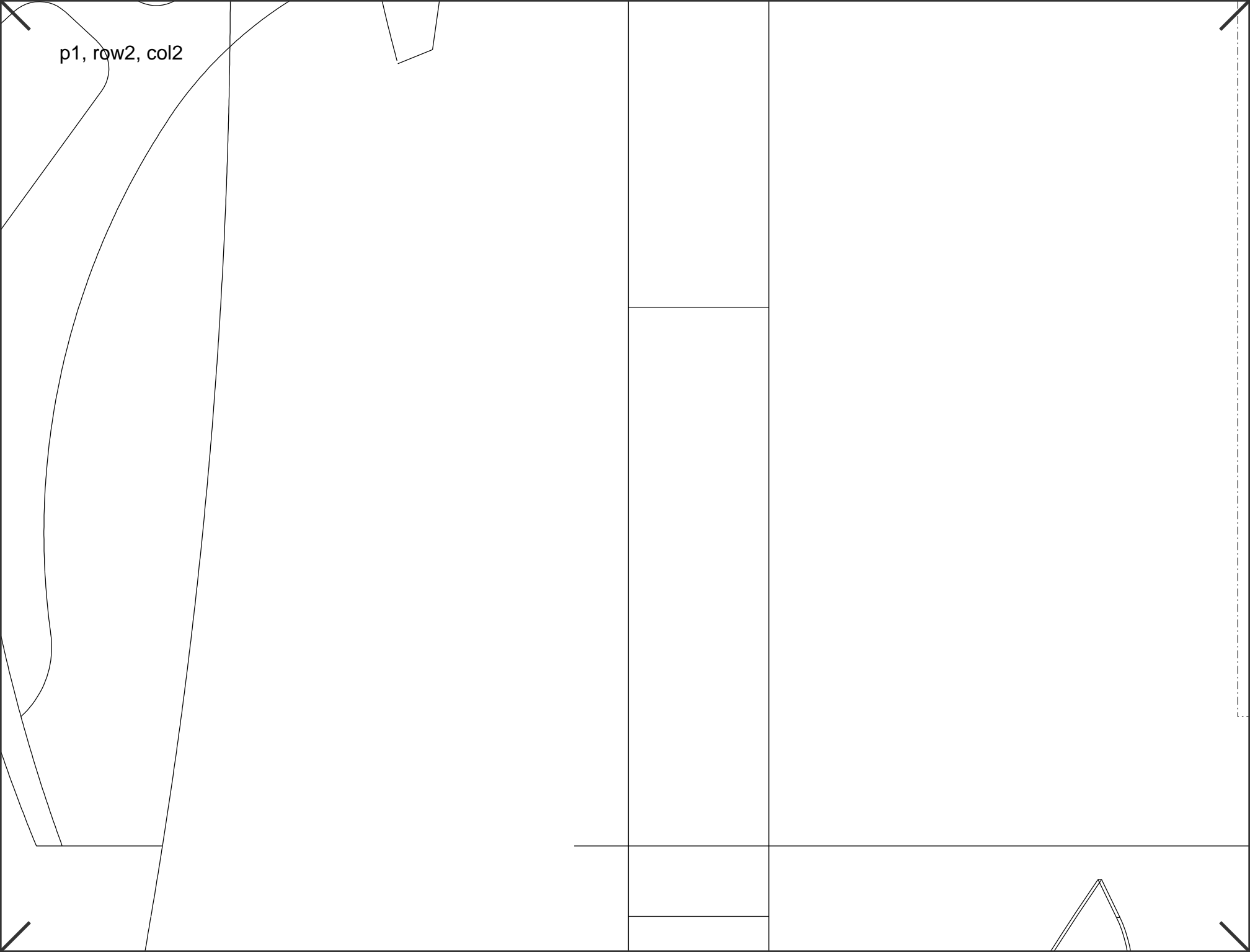
p1, row2, col1

offen / open

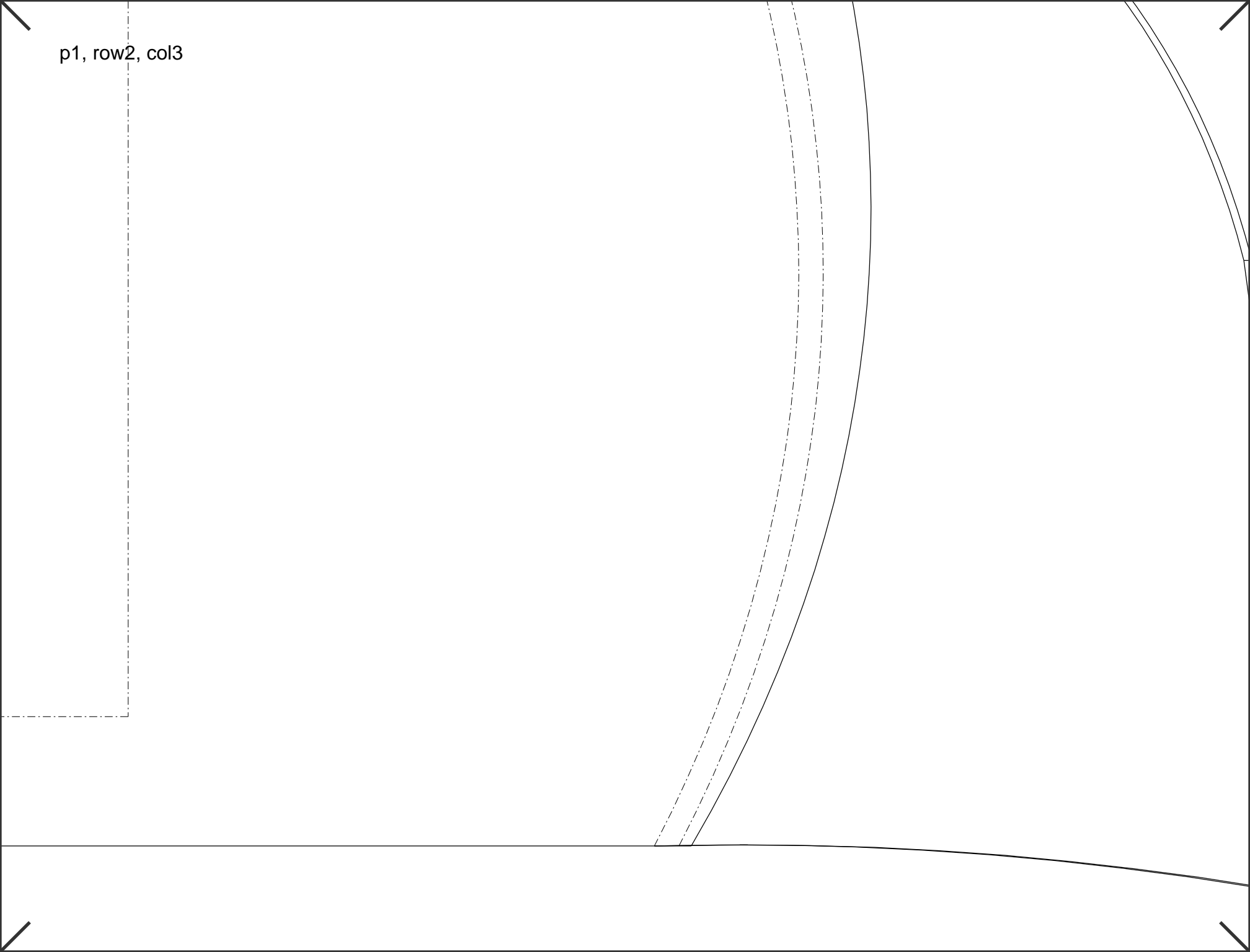
zu / close

servo

p1, row2, col2

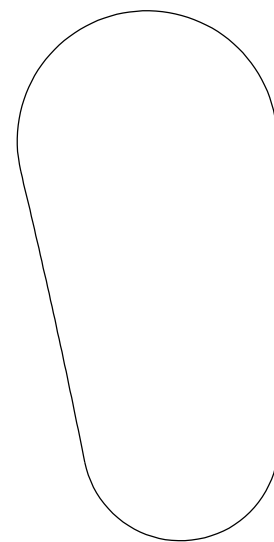
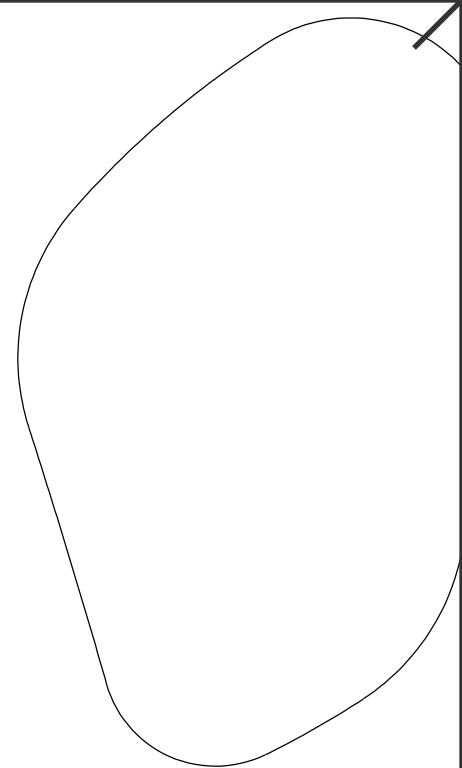
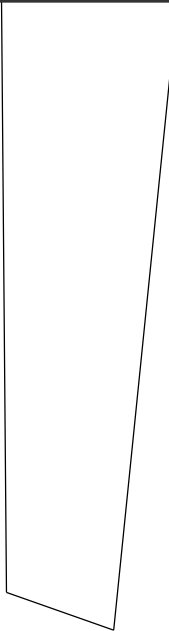


p1, row2, col3



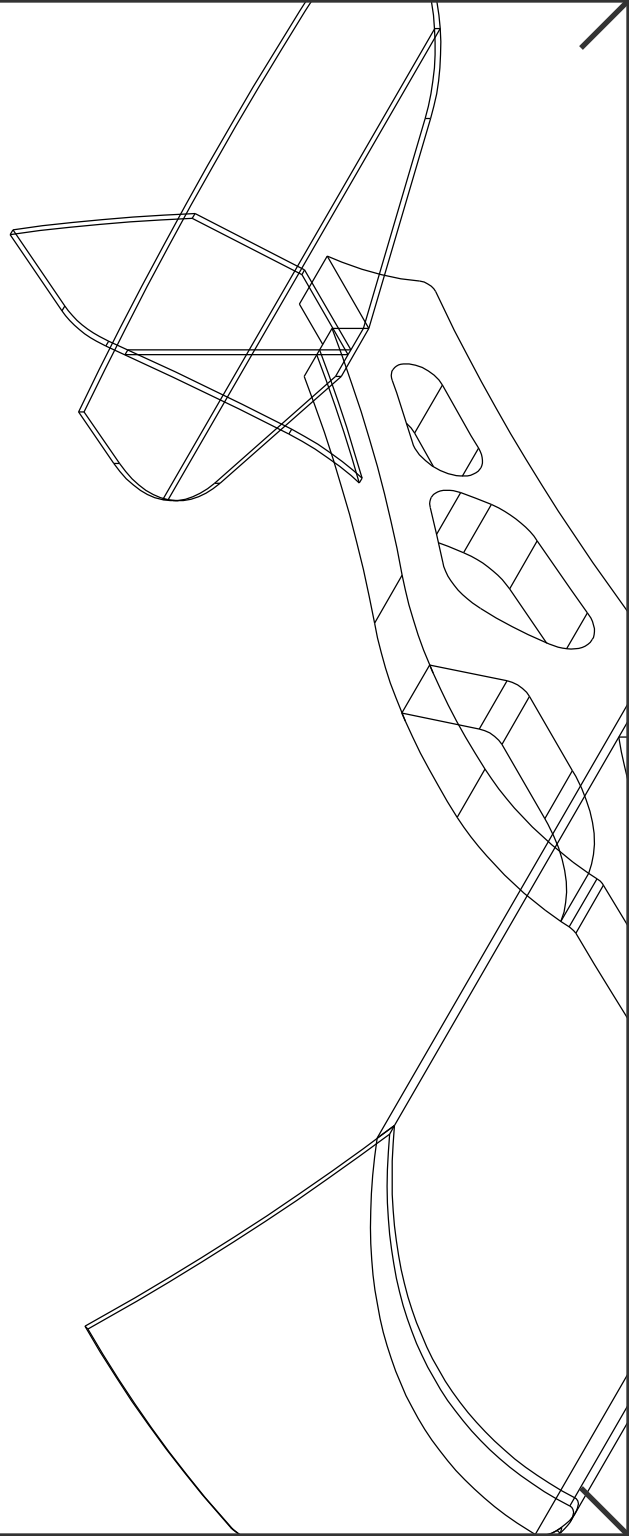
p1, row2, col4

p1, row3, col1

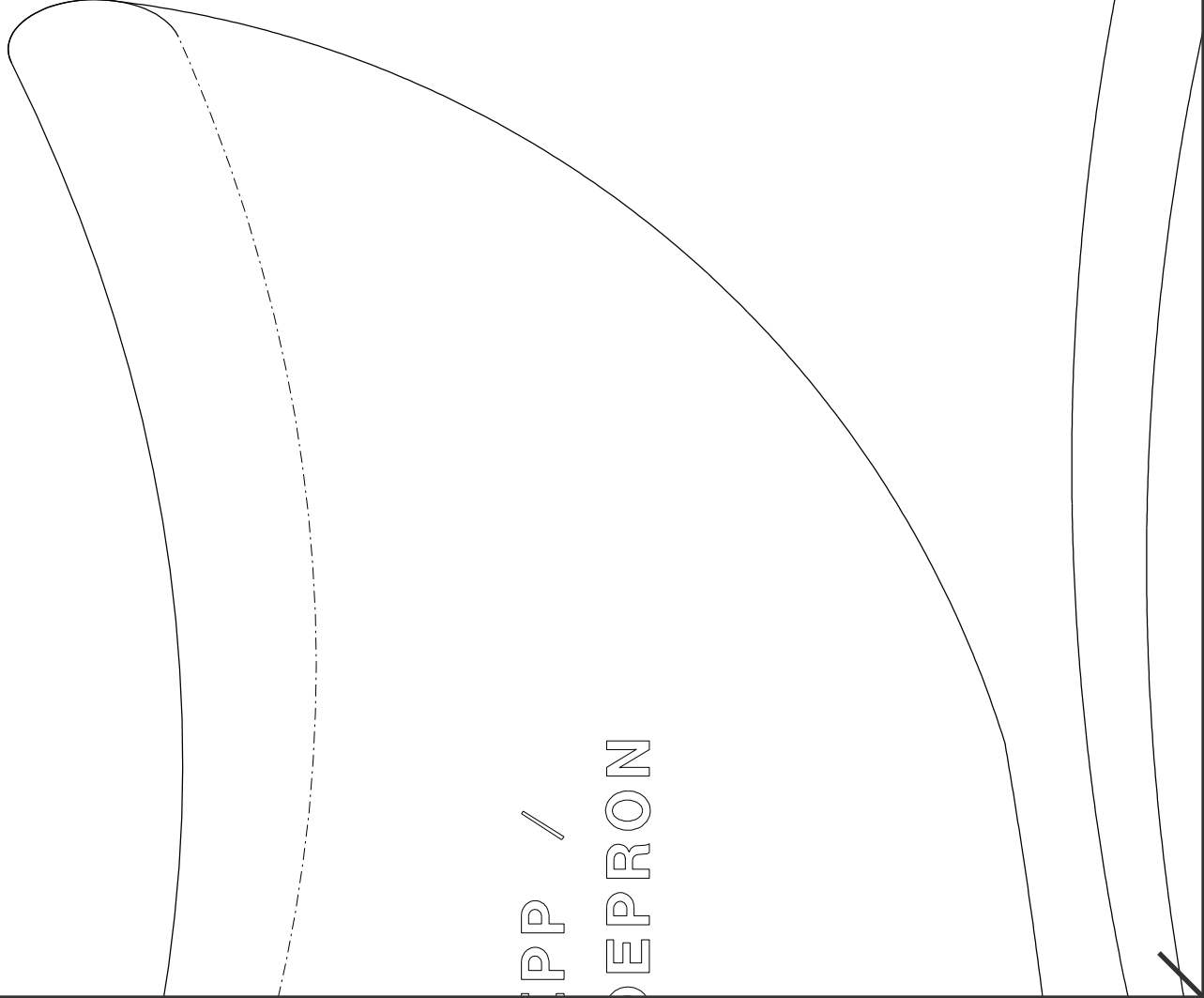
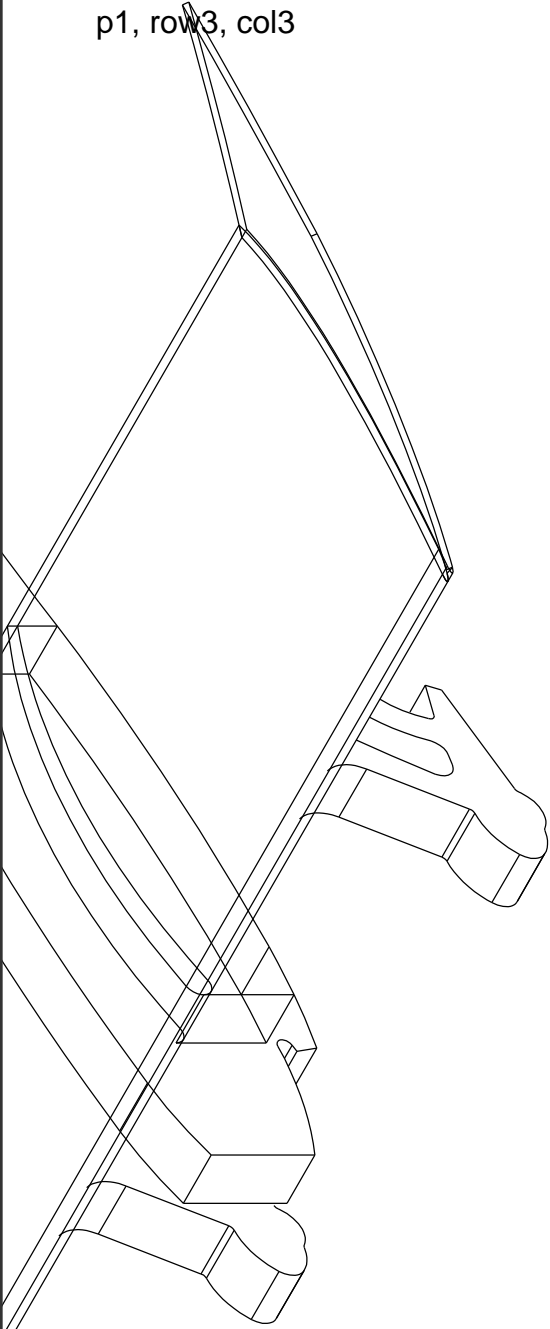


p1, row3, col2

X-Verstärkung
(optional)



p1, row3, col3

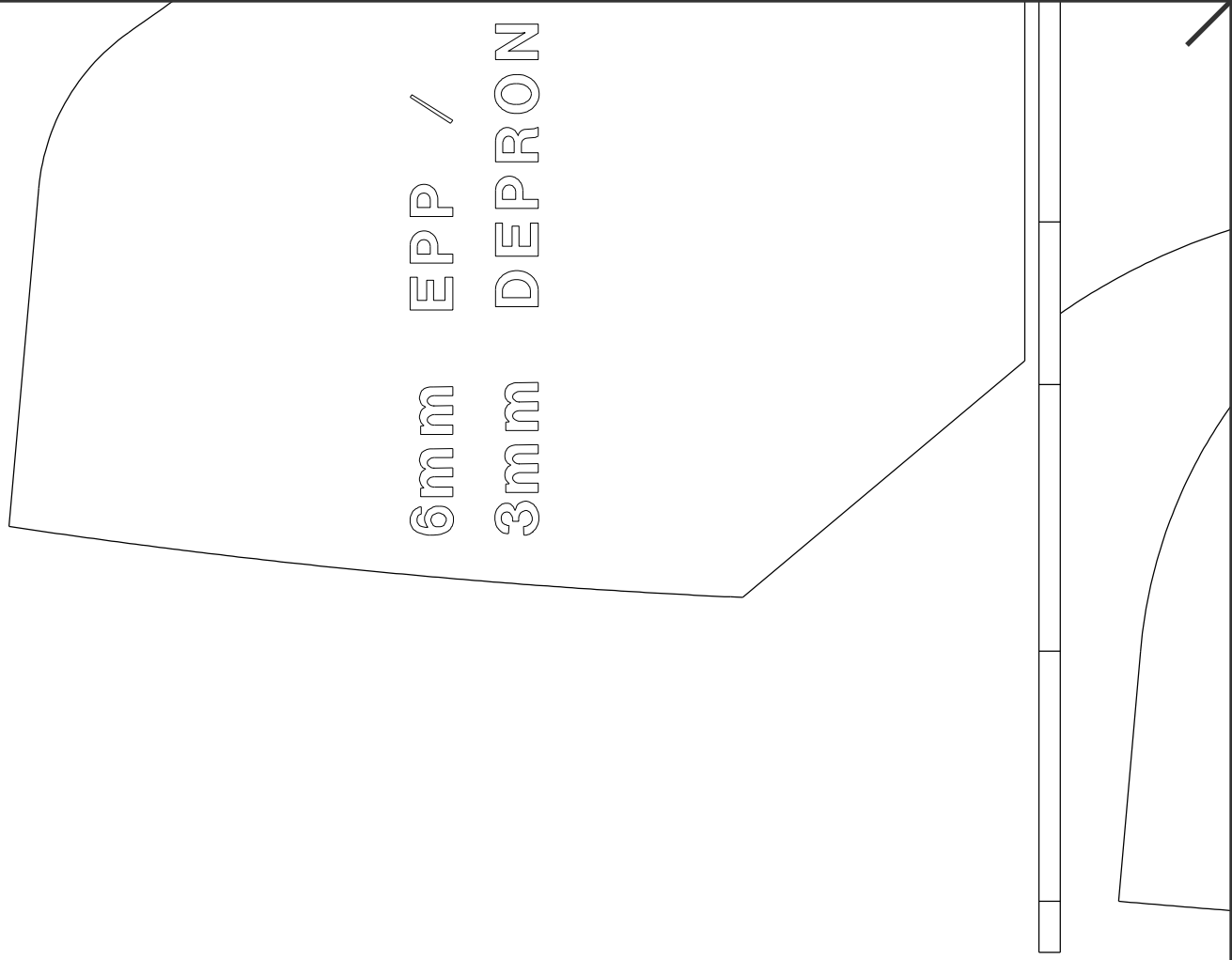


IPP /
EPRON

p1, row3, col4



p1, row4, col1



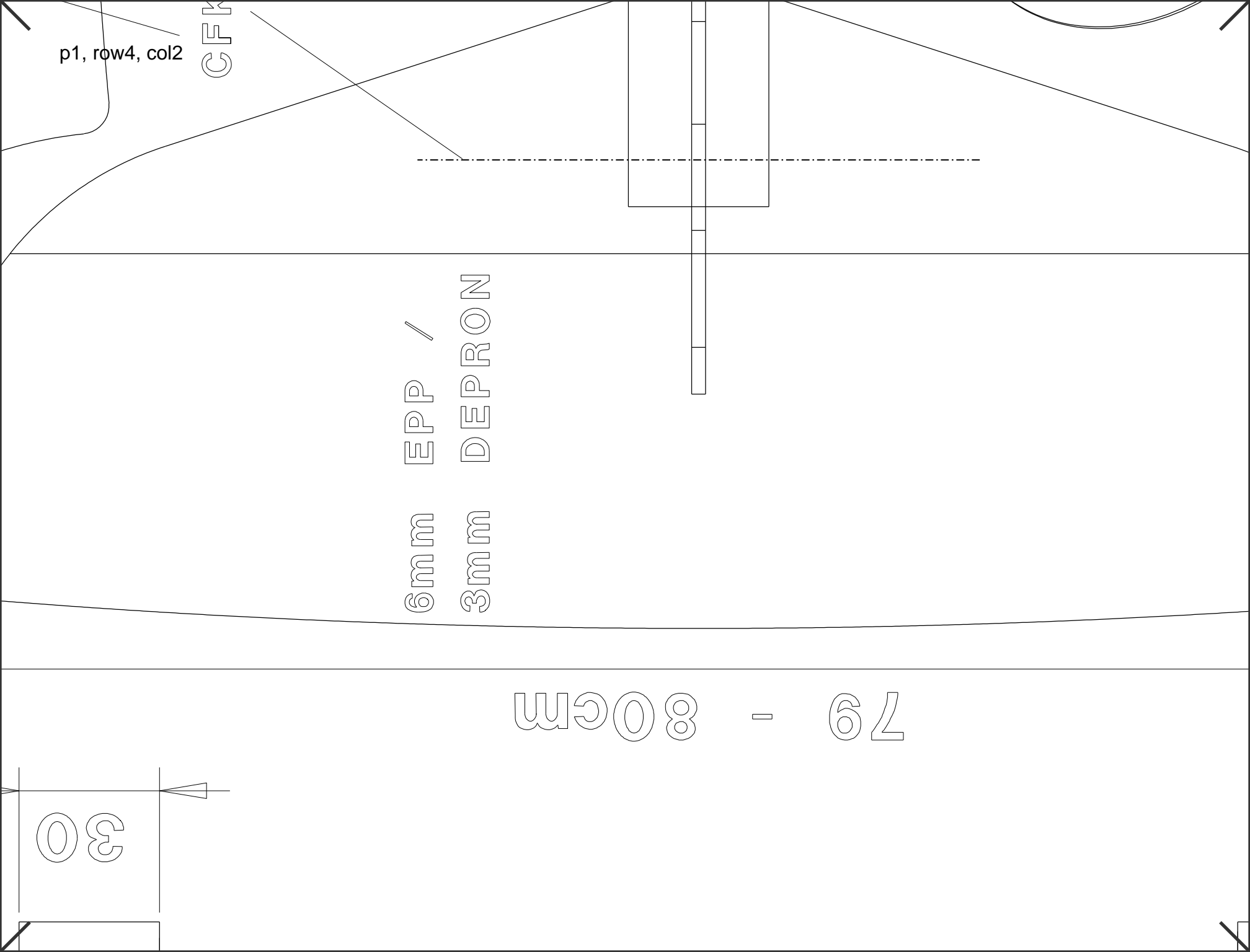
p1, row4, col2

CFR

6mm EPP /
3mm DEPRON

79 - 80cm

30



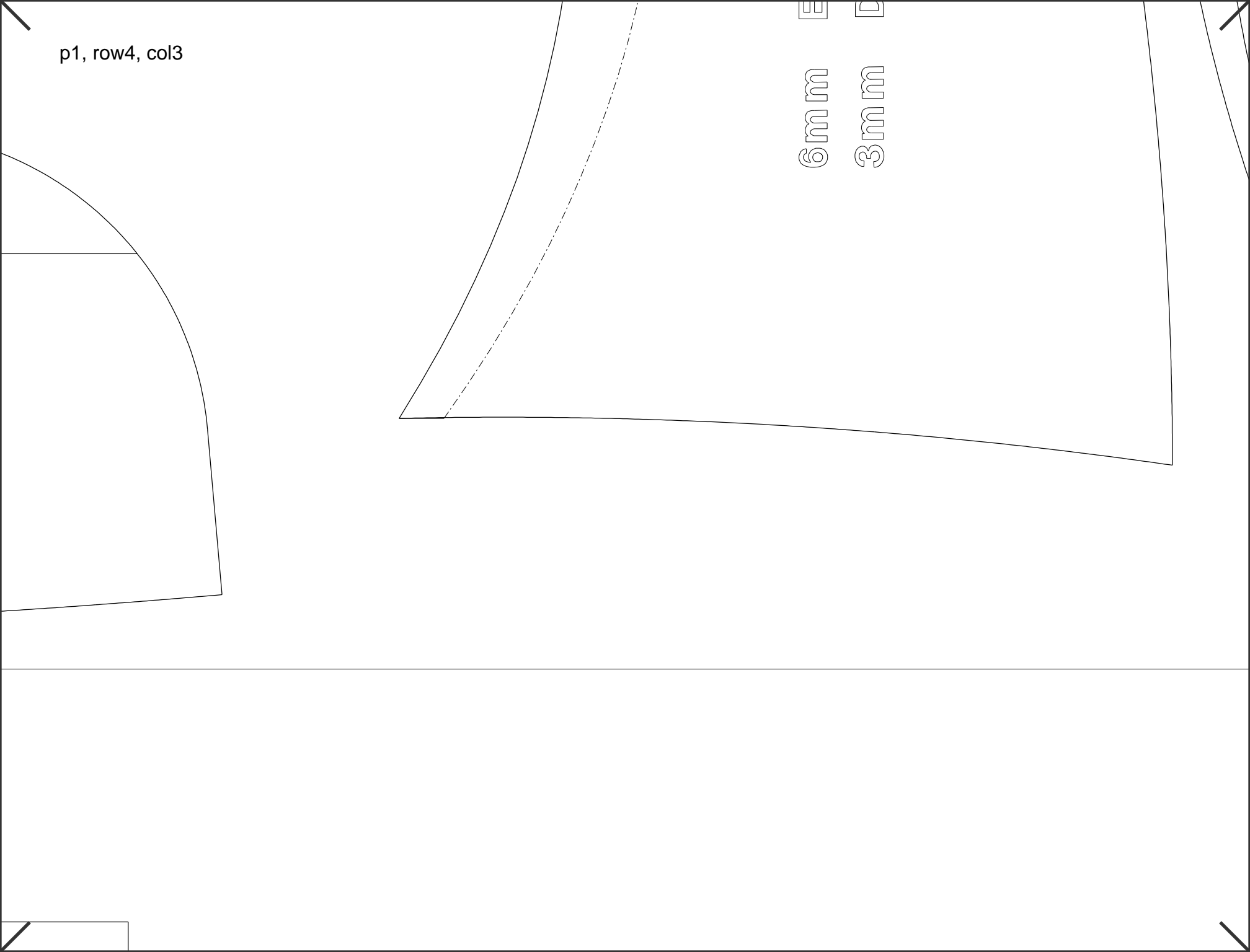
p1, row4, col3

6mm

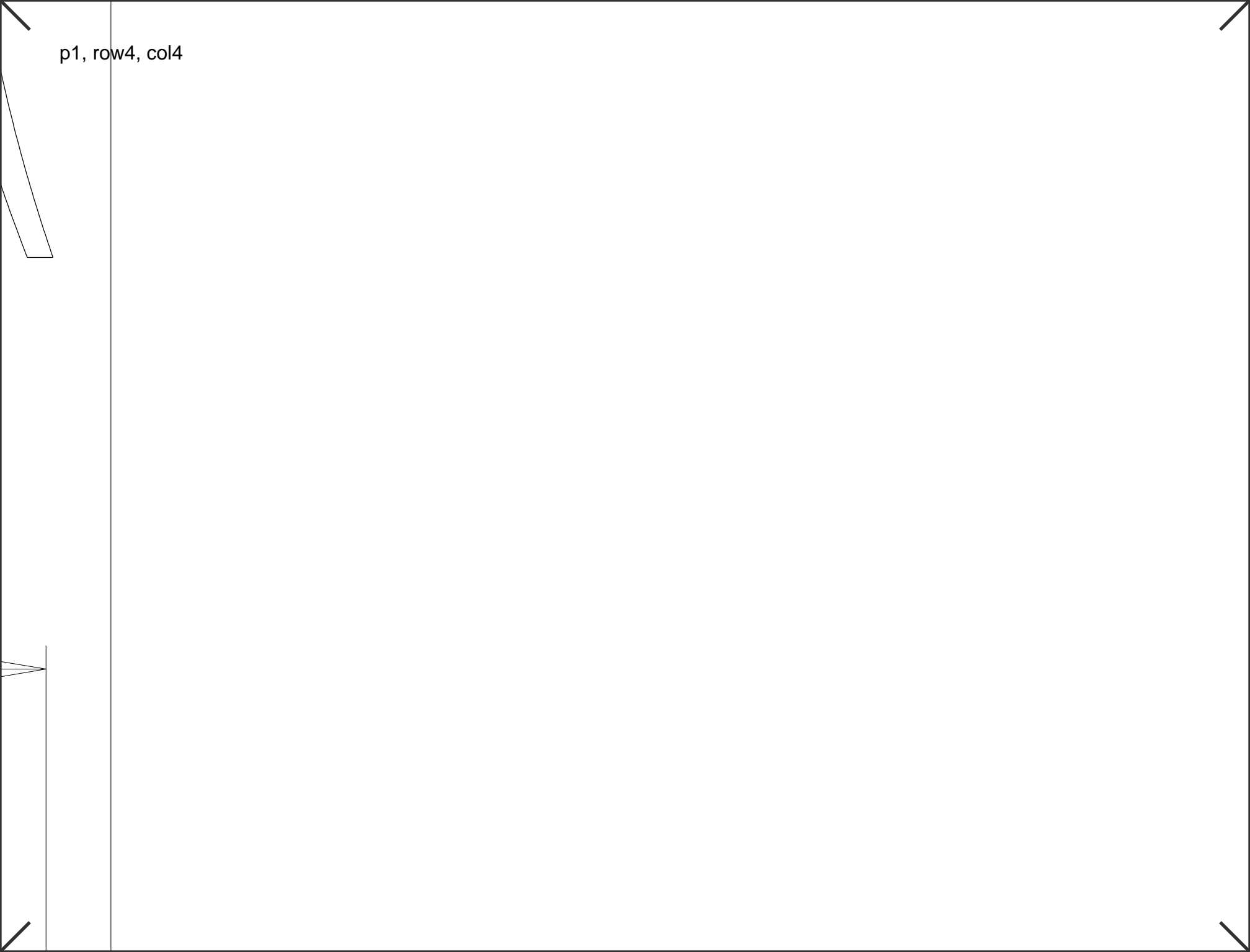
3mm

E

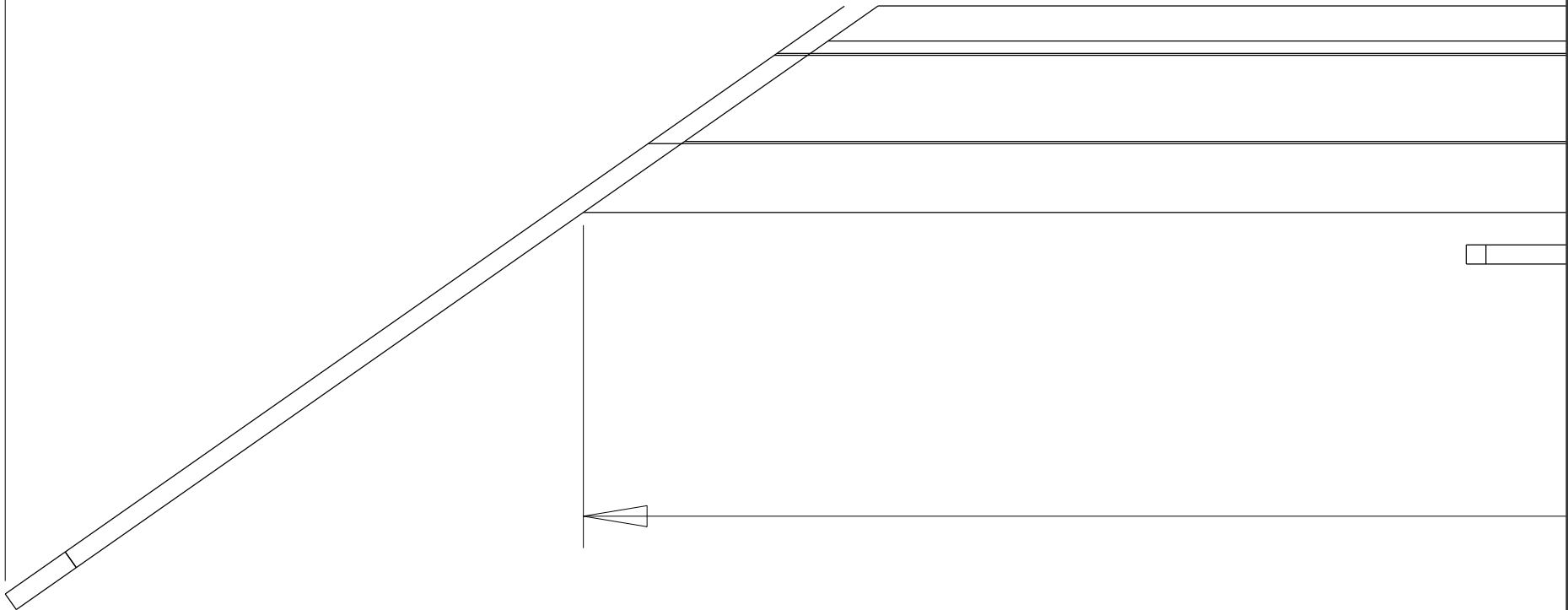
D



p1, row4, col4



p1, row5, col1

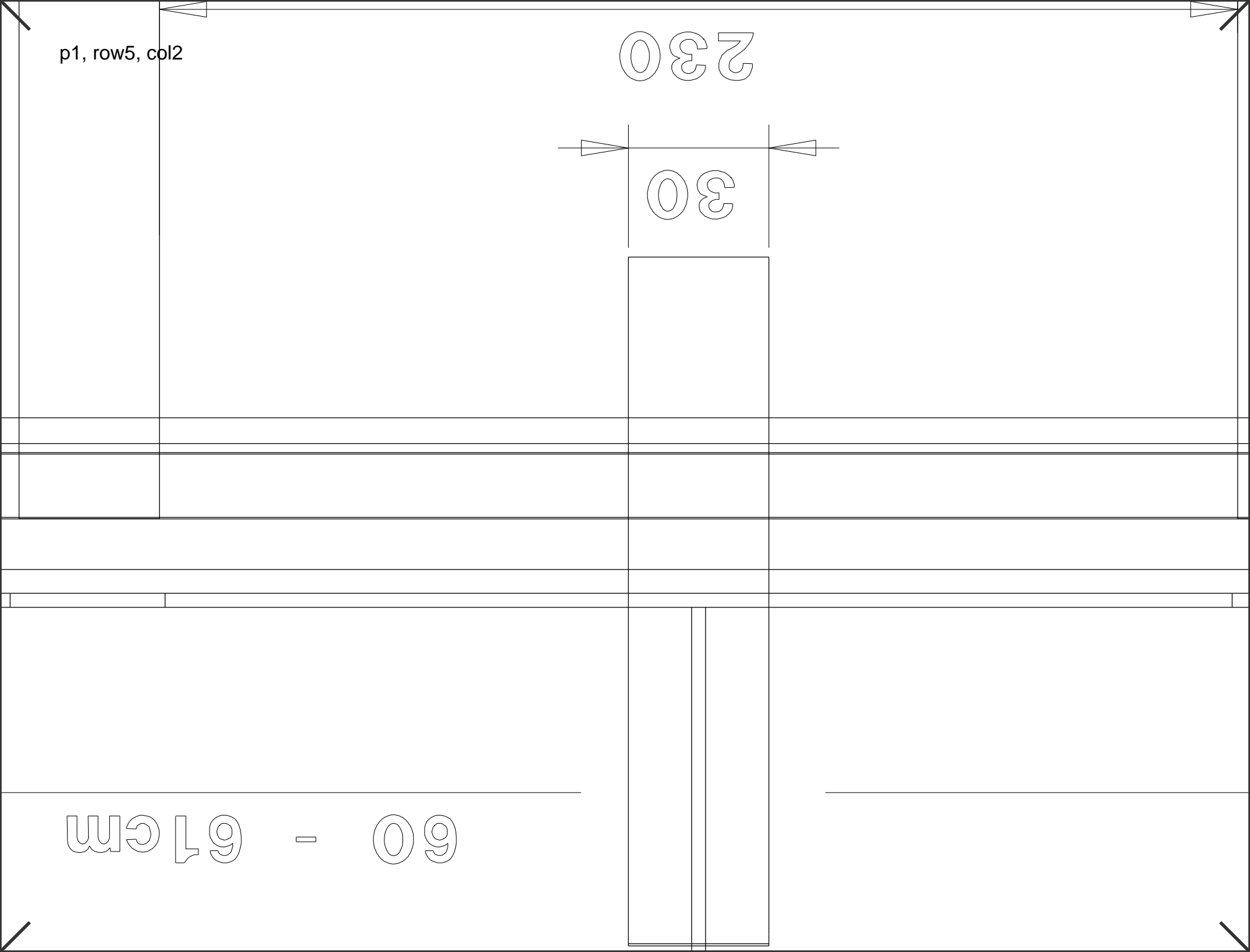


p1, row5, col2

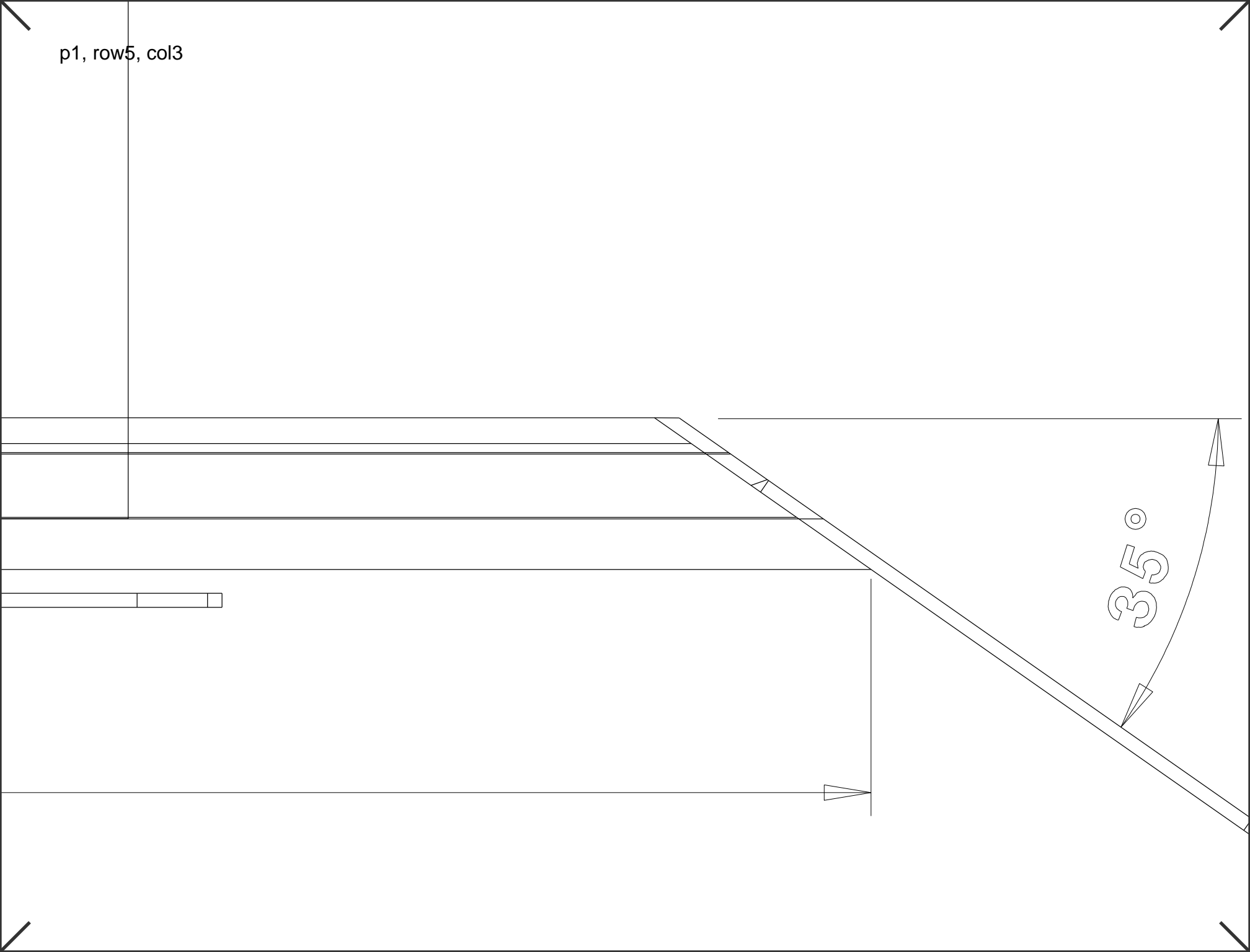
230

30

60 - 61 cm



p1, row5, col3



p1, row5, col4

p1, row6, col1

p1, row6, col2

p1, row6, col3

p1, row6, col4