

2005 ACCESSORIES & EQUIPMENT

Bumpers - Aztek & Rendezvous

SPECIFICATIONS

FASTENER TIGHTENING SPECIFICATIONS

Fastener Tightening Specifications

Application	Specification	
	Metric	English
Front Bumper Fascia Bolt	10 N.m	89 lb in
Front Bumper Fascia Lower Support Bolt	10 N.m	89 lb in
Front Bumper Fascia Upper Support Bolt	5 N.m	44 lb in
Front Bumper Impact Bar Bolt	50 N.m	37 lb ft
Front Inboard Upper Front Bumper Impact Bar Bolt	50 N.m	37 lb ft
Grille Screws	2 N.m	18 lb in
Lower Outboard Front Bumper Impact Bar Bolt	25 N.m	18 lb ft
Rear Bumper Impact Bar Bolt	50 N.m	37 lb ft

DIAGNOSTIC INFORMATION AND PROCEDURES

INSPECTION AFTER COLLISION

The following components may require replacement, if the collision was so severe that the bumper did not return to the original position:

- The bumper fascia
- The bumper energy absorber
- The bumper impact bar

REPAIR INSTRUCTIONS

FASCIA REPLACEMENT - FRONT BUMPER - UPPER (AZTEK)

Tools Required

J 38778 Door Trim Pad and Garnish Clip Remover

Removal Procedure

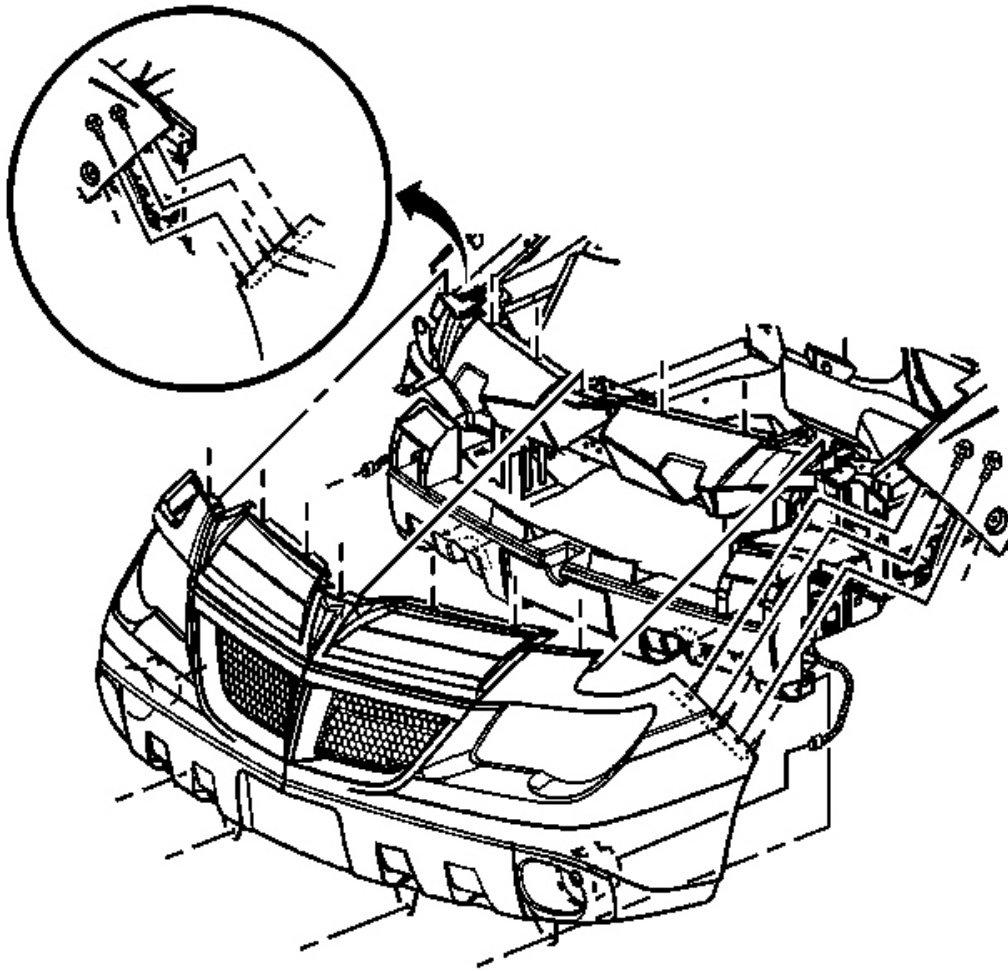


Fig. 1: View Of Front Bumper Fascia Bolts (Aztek)
Courtesy of GENERAL MOTORS CORP.

1. Remove the front fender liners. Refer to **Front Fender Liner Replacement** in Body Front End.
2. Remove the headlamps. Refer to **Headlamp Assembly or Headlamp Bulb Replacement (Aztek)** or **Headlamp Assembly or Headlamp Bulb Replacement (Rendezvous)** in Lighting Systems.
3. Remove the fog lamps. Refer to **Fog Lamp Replacement - Front (Aztek)** or **Fog Lamp Replacement - Front (Rendezvous)** in Lighting Systems.
4. Remove the bolts from the front bumper fascia at the fender.

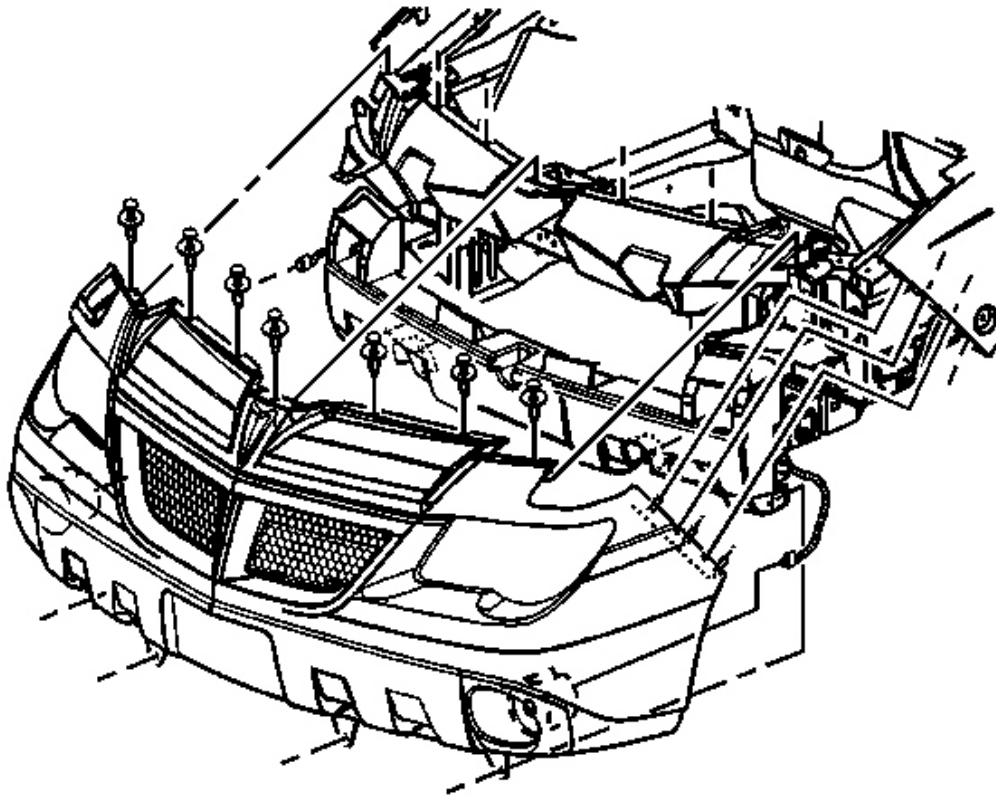


Fig. 2: Identifying Upper Bumper Fascia Support Push-In Retainers (Aztek)
Courtesy of GENERAL MOTORS CORP.

5. Remove the push-in retainers from the upper bumper fascia support using J 38778 .

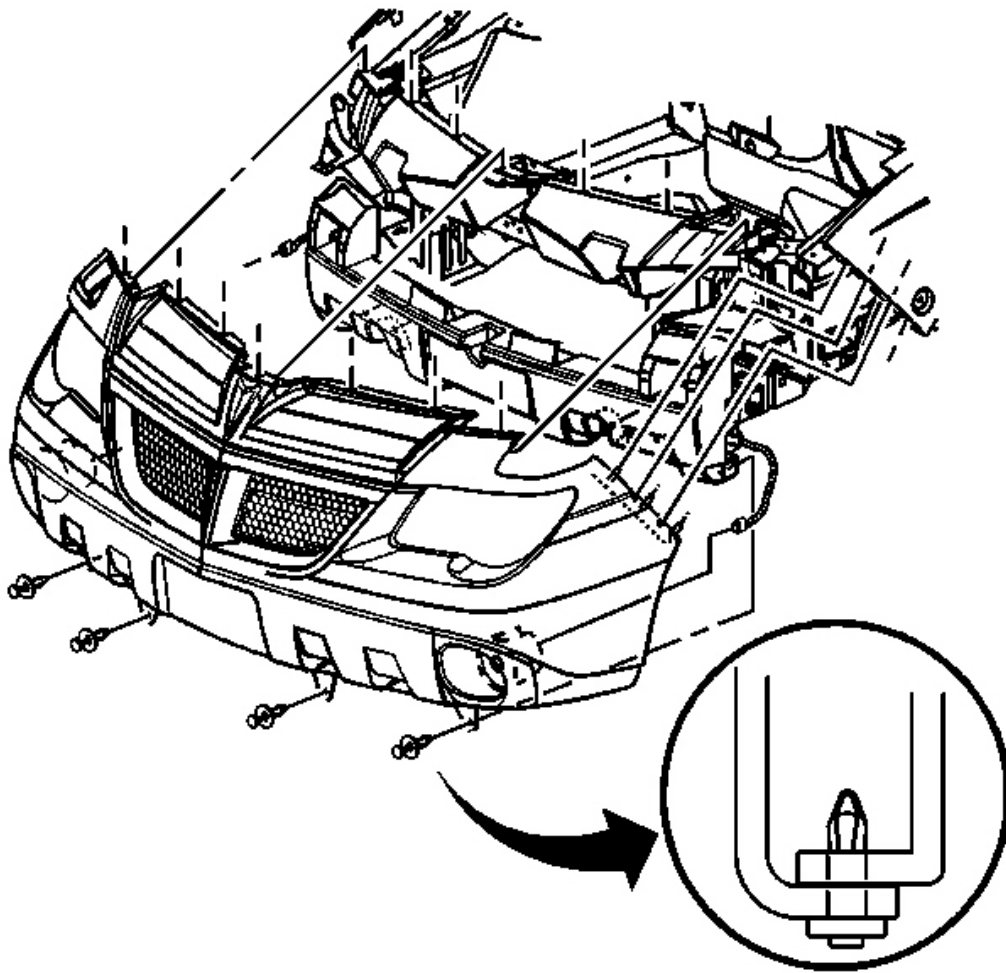


Fig. 3: Locating Front Bumper Energy Absorber Push-In Retainers (Aztek)
Courtesy of GENERAL MOTORS CORP.

6. Remove the push-in retainers to the fascia at the front bumper energy absorber using **J 38778** .
7. Remove the fascia from the vehicle.
8. Remove the grilles from the fascia. Refer to **Fascia Grille Replacement (Aztek)** or **Fascia Grille Replacement (Rendezvous)** .
9. Remove the fascia outer support from the fascia.

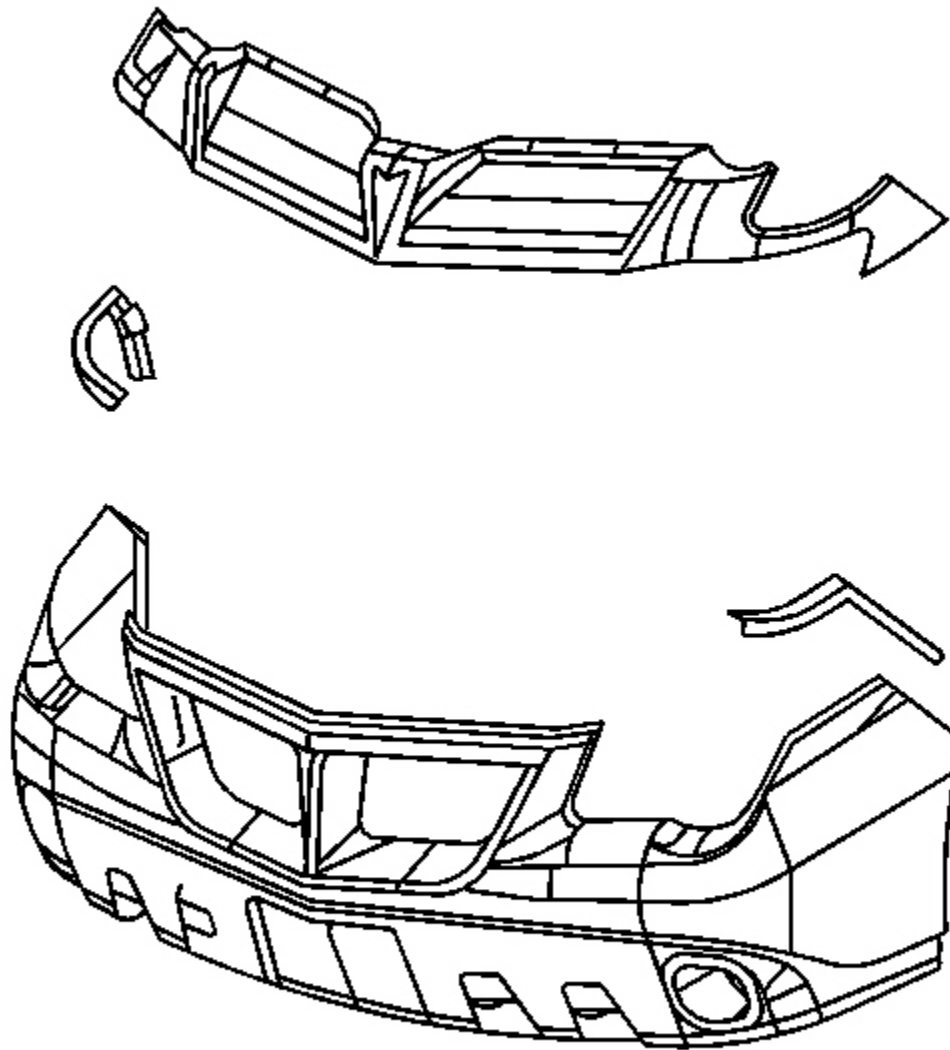


Fig. 4: View of Upper & Lower Fascia (Aztek)
Courtesy of GENERAL MOTORS CORP.

10. Remove the upper fascia from the lower fascia.

Installation Procedure

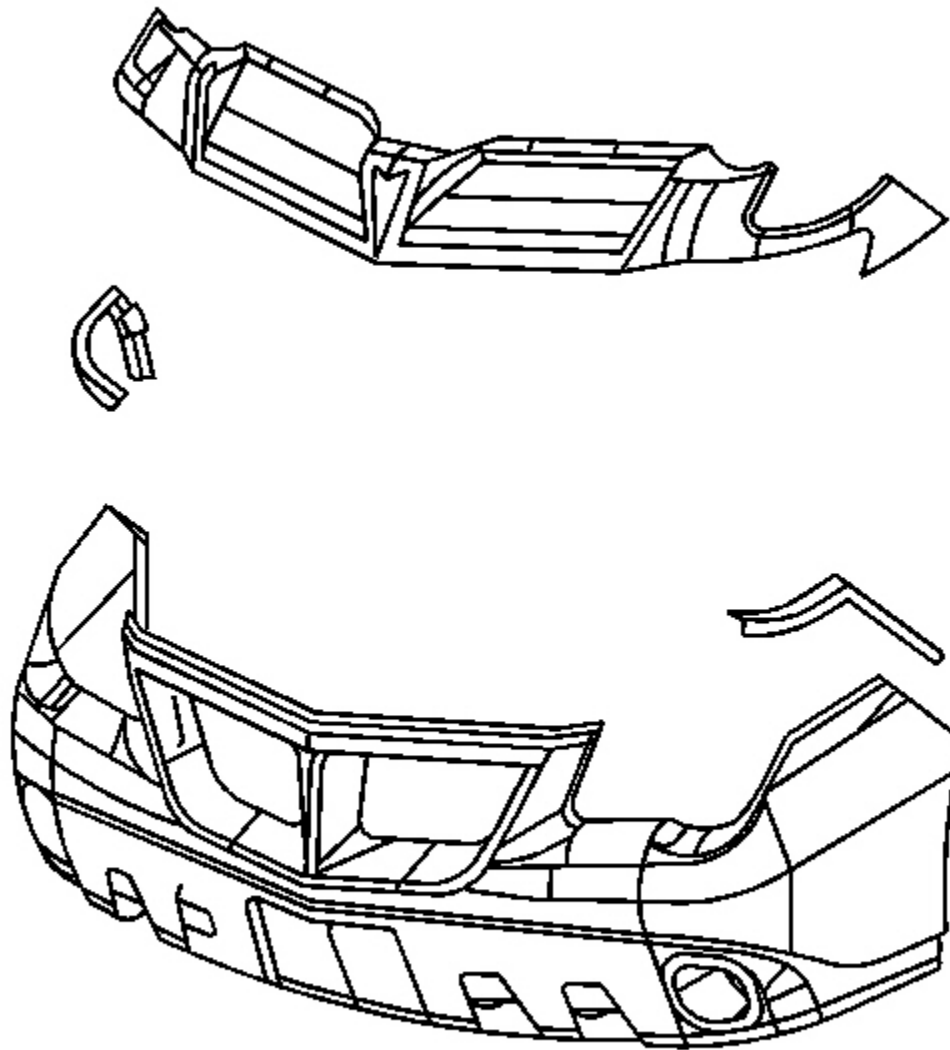


Fig. 5: View of Upper & Lower Fascia (Aztek)
Courtesy of GENERAL MOTORS CORP.

1. Install the upper fascia to the lower fascia.

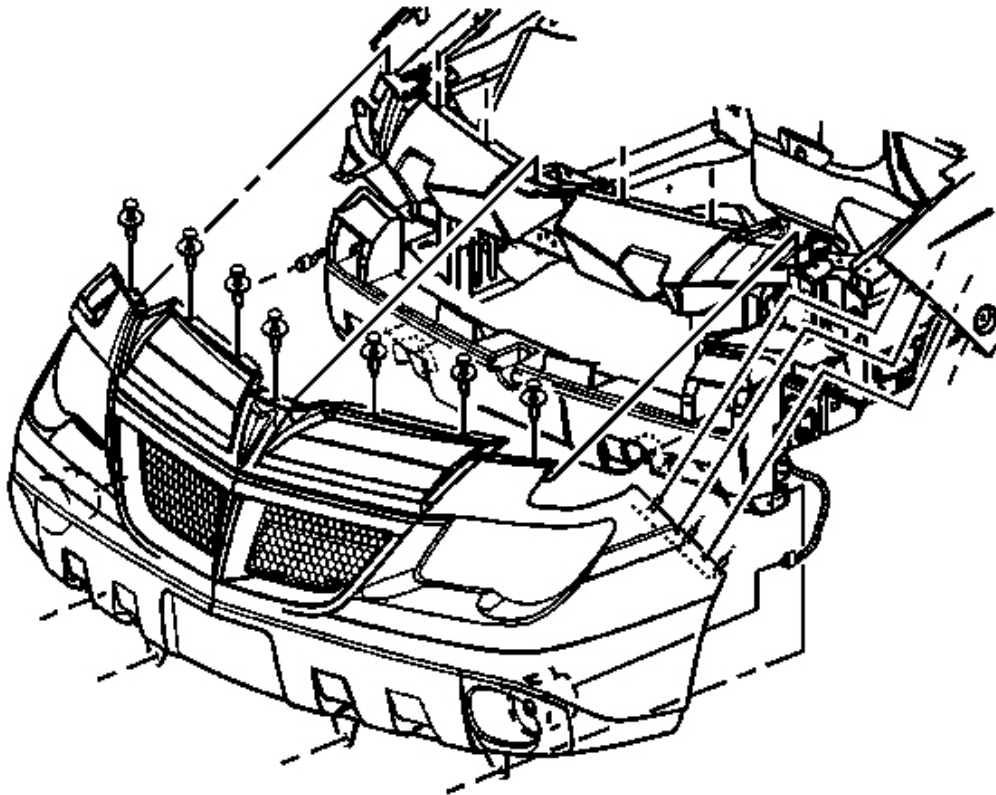


Fig. 6: Identifying Upper Bumper Fascia Support Push-In Retainers (Aztek)
Courtesy of GENERAL MOTORS CORP.

2. Install the fascia outer support to the fascia.
3. Install the grilles. Refer to **Fascia Grille Replacement (Aztek)** or **Fascia Grille Replacement (Rendezvous)** .
4. Position the fascia to the vehicle.
5. Align the alignment pins of the fascia to the front fenders and moldings.
6. Install the push-in the retainers starting at the center, to the front upper bumper fascia support.

NOTE: **Refer to Fastener Notice in Cautions and Notices.**

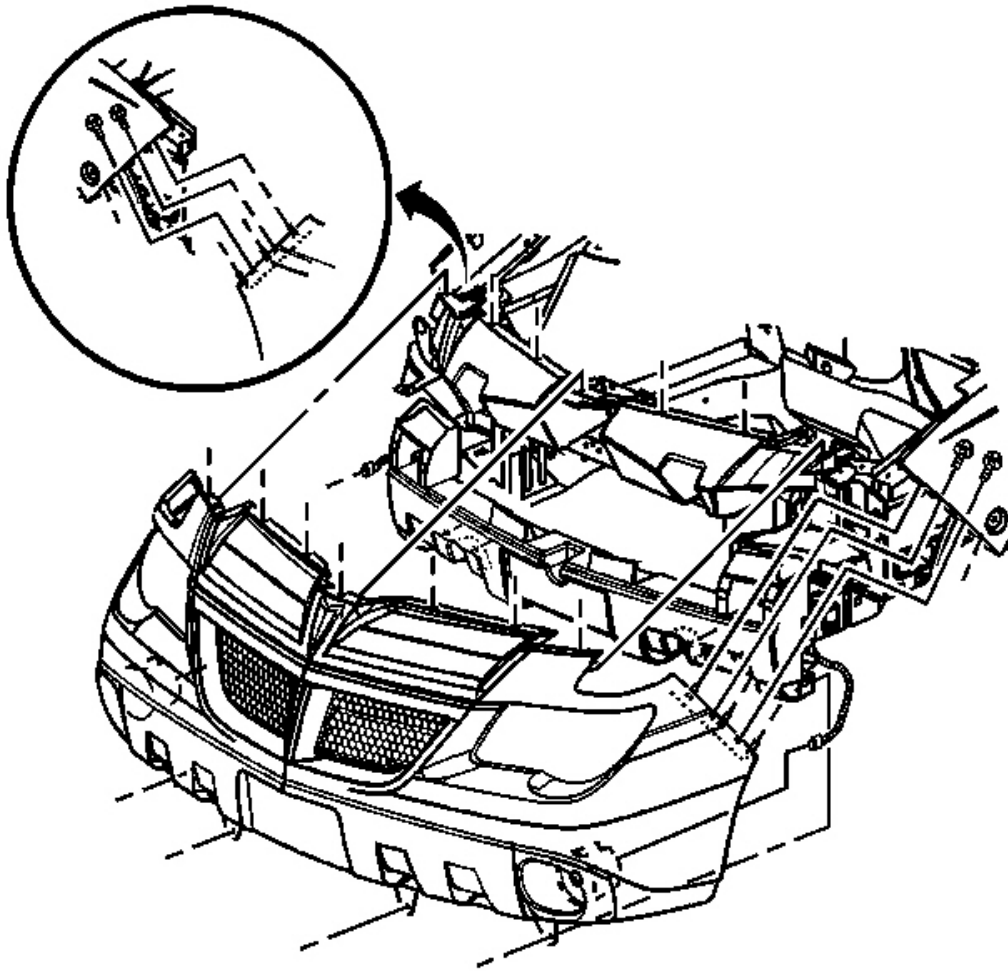


Fig. 7: View Of Front Bumper Fascia Bolts (Aztek)
Courtesy of GENERAL MOTORS CORP.

7. Install the bolts to the front fascia at the front fenders.

Tighten: Tighten the front fascia bolts to 10 N.m (89 lb in).

IMPORTANT: Push the retainer tabs up and against the front bumper energy absorber.

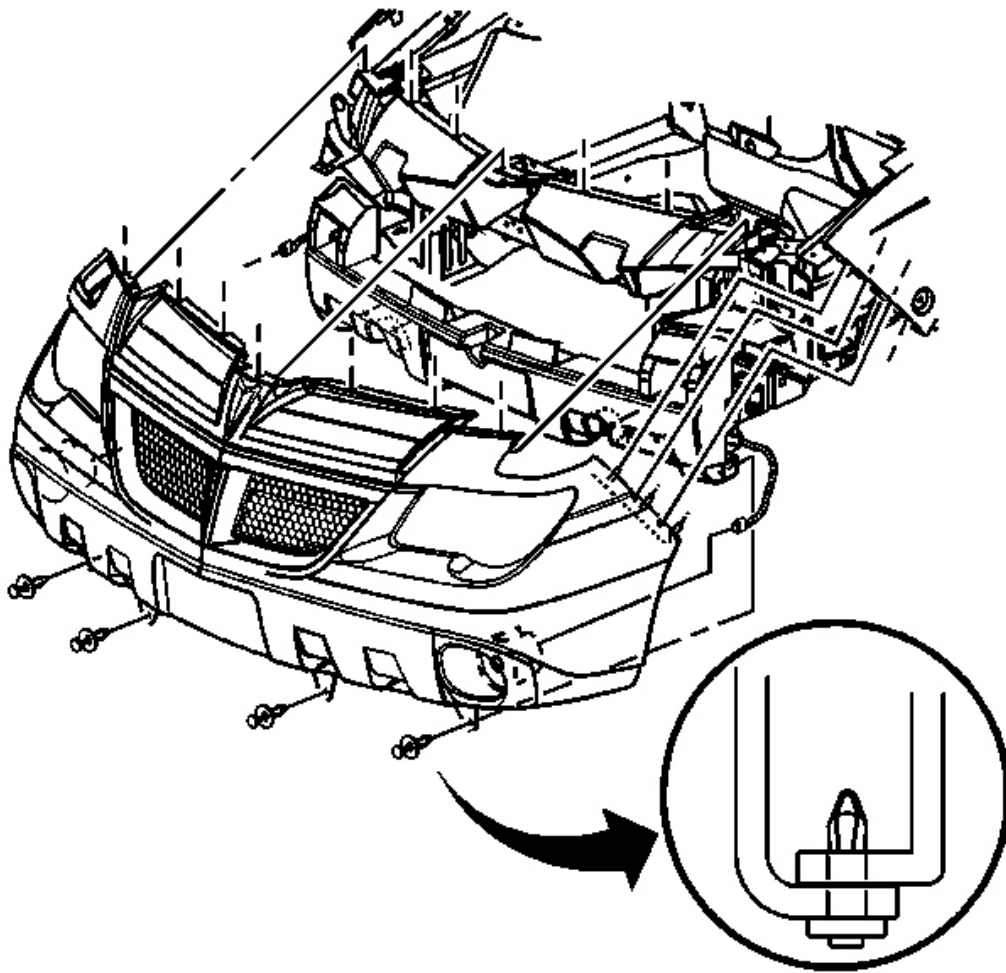


Fig. 8: Locating Front Bumper Energy Absorber Push-In Retainers (Aztek)
Courtesy of GENERAL MOTORS CORP.

8. Install the push-in retainers to the fascia at the energy absorber.
9. Install the fog lamps. Refer to **Fog Lamp Replacement - Front (Aztek)** or **Fog Lamp Replacement - Front (Rendezvous)** in Lighting Systems.
10. Install the headlamps. Refer to **Headlamp Assembly or Headlamp Bulb Replacement (Aztek)** or **Headlamp Assembly or Headlamp Bulb Replacement (Rendezvous)** in Lighting Systems.
11. Install the front fender liners. Refer to **Front Fender Liner Replacement** in Body Front End.

FASCIA REPLACEMENT - FRONT BUMPER - UPPER (RENDEZVOUS)

Tools Required

J 38778 Door Trim Pad and Garnish Clip Remover

Removal Procedure

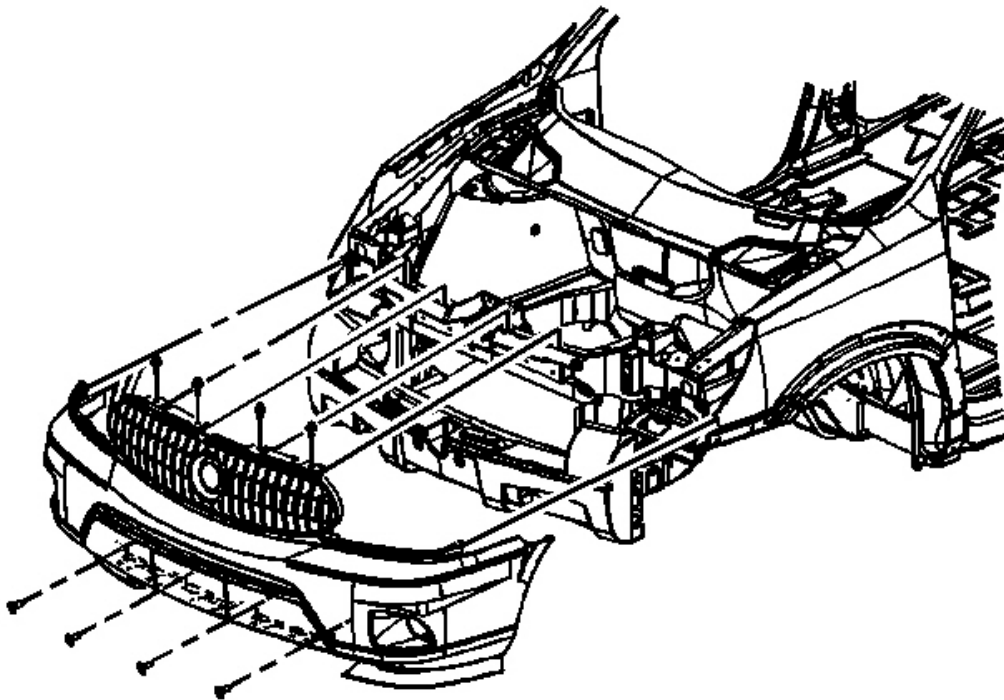


Fig. 9: View Of Front Bumper Fascia (Rendezvous)
Courtesy of GENERAL MOTORS CORP.

1. Remove the front fender liners. Refer to **Front Fender Liner Replacement** in Body Front End.
2. Remove the headlamps. Refer to **Headlamp Assembly or Headlamp Bulb Replacement (Aztek)** or **Headlamp Assembly or Headlamp Bulb Replacement (Rendezvous)** in Lighting Systems.
3. Remove the fog lamps. Refer to **Fog Lamp Replacement - Front (Aztek)** or **Fog Lamp Replacement - Front (Rendezvous)** in Lighting Systems.
4. Remove the bolts from the front bumper fascia at the fender.
5. Remove the push-in retainers from the upper bumper fascia support using **J 38778** .
6. Remove the push-in retainers from the fascia at the front bumper energy absorber using **J 38778** .

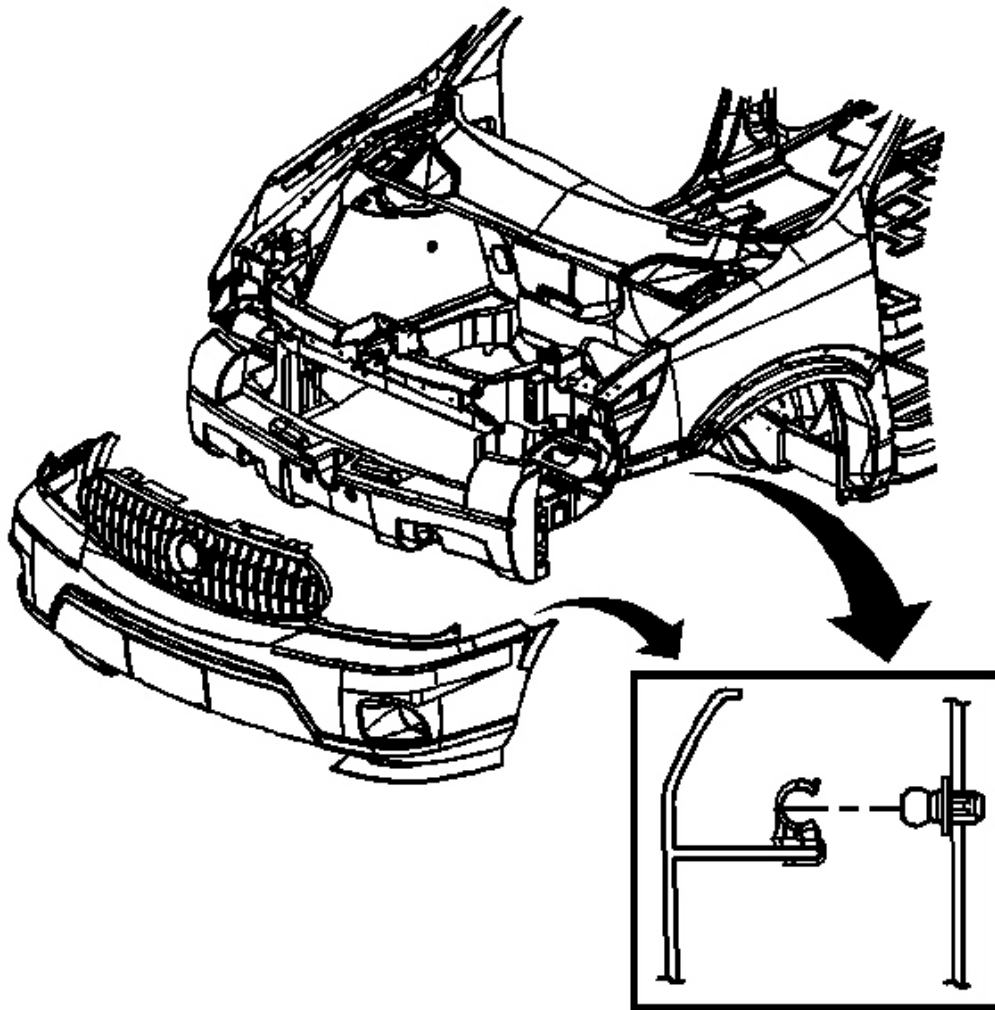


Fig. 10: Locating Front Fender Ball Socket Retainer (Rendezvous)
Courtesy of GENERAL MOTORS CORP.

7. Disengage the ball socket retainer from the ball on the front fender.
8. Remove the fascia from the vehicle.
9. Remove the grille from the fascia. Refer to **Fascia Grille Replacement (Aztek)** or **Fascia Grille Replacement (Rendezvous)** .
10. Remove the fascia outer support.

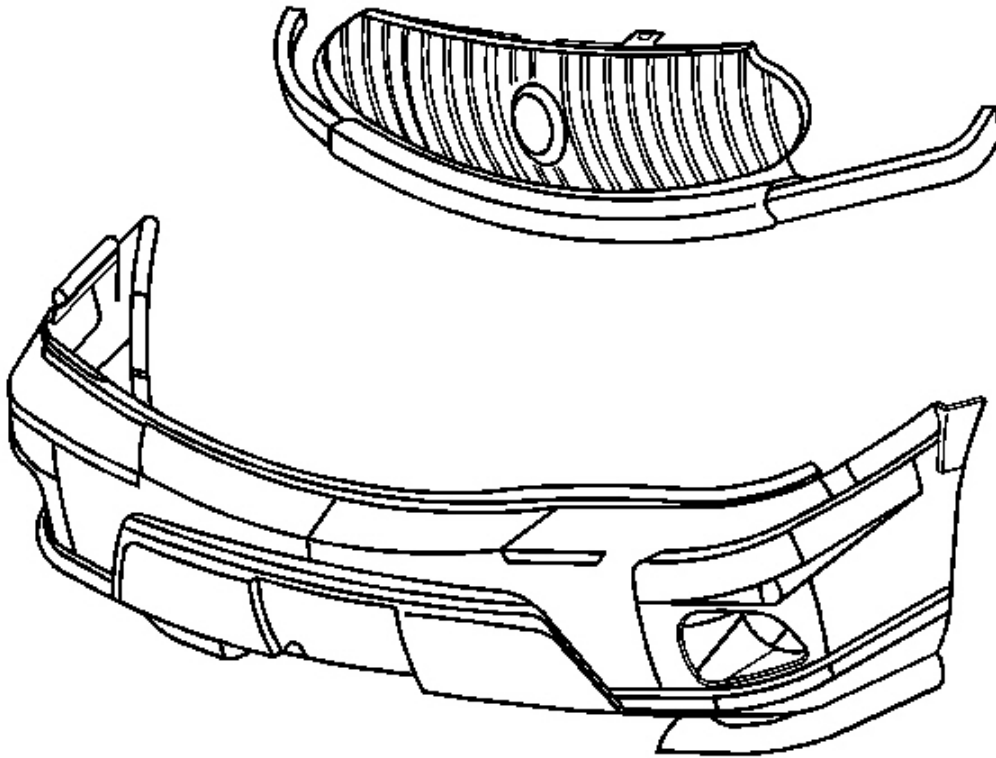


Fig. 11: View Of Upper & Lower Fascia (Rendezvous)
Courtesy of GENERAL MOTORS CORP.

11. Remove the upper fascia from the lower fascia.

Installation Procedure

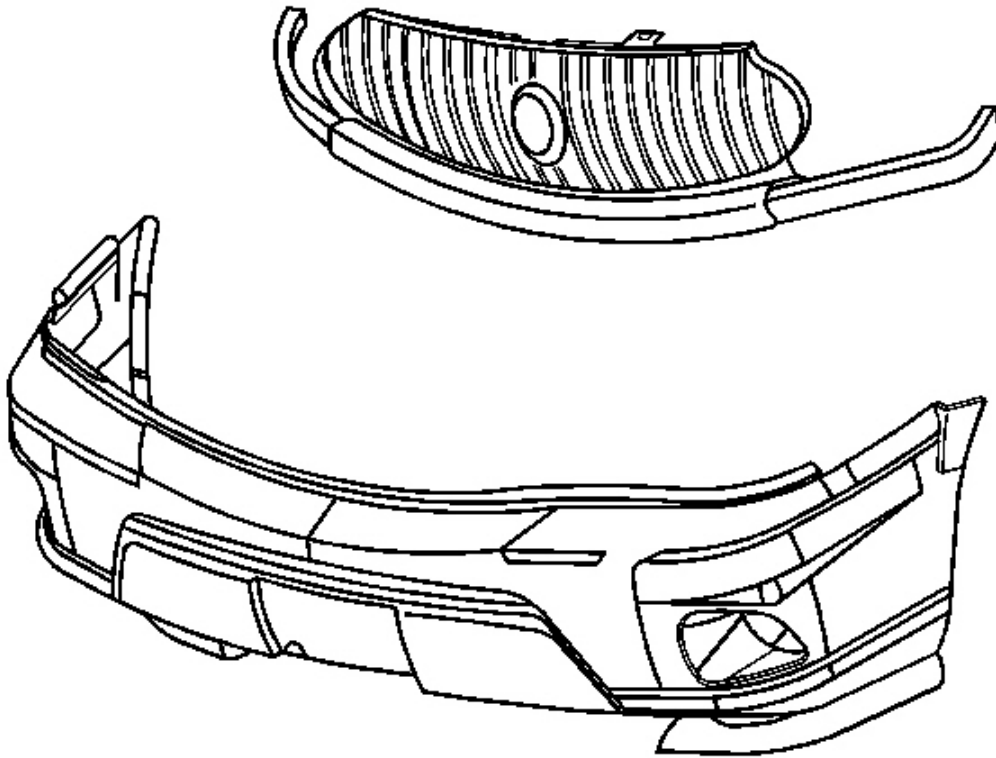


Fig. 12: View Of Upper & Lower Fascia (Rendezvous)
Courtesy of GENERAL MOTORS CORP.

1. Install the upper fascia to the lower fascia.

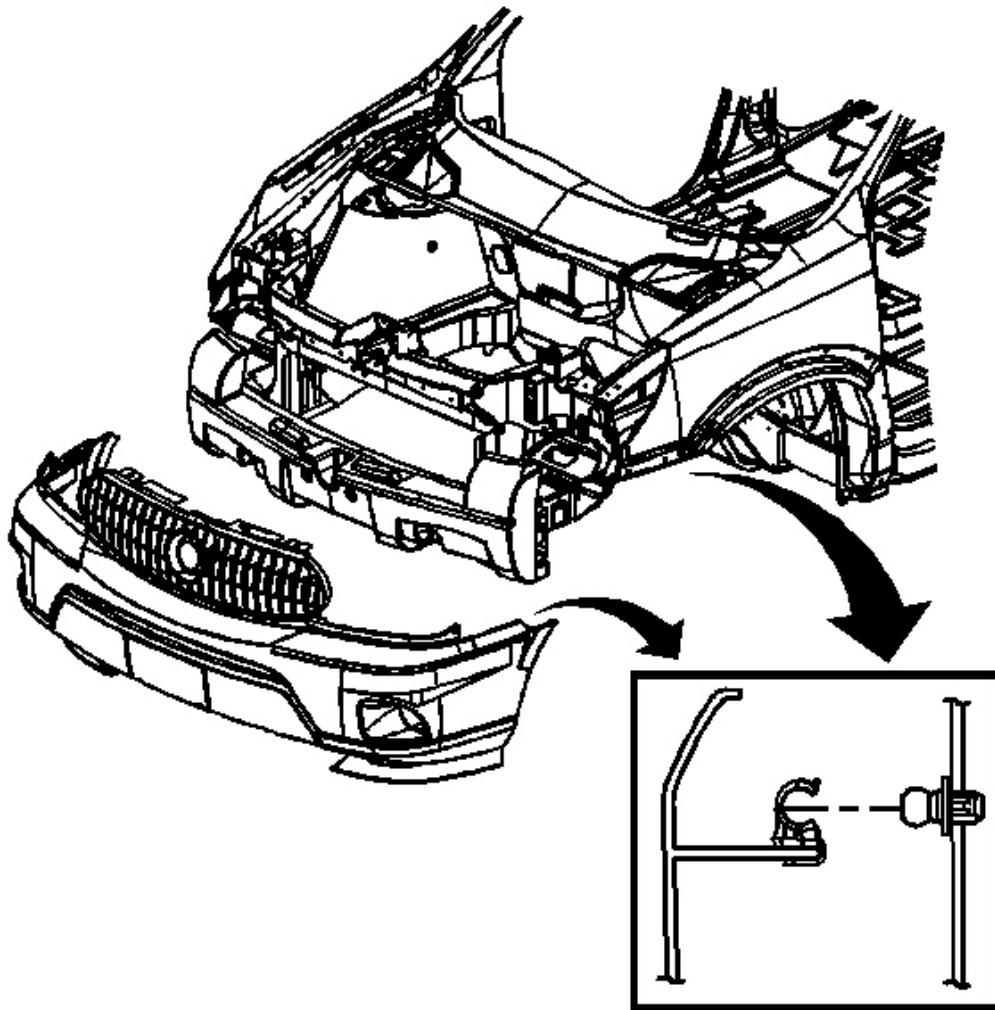


Fig. 13: Locating Front Fender Ball Socket Retainer (Rendezvous)
Courtesy of GENERAL MOTORS CORP.

2. Install the fascia outer support.
3. Install the grille to the fascia. Refer to **Fascia Grille Replacement (Aztek)** or **Fascia Grille Replacement (Rendezvous)** .
4. Position the fascia to the vehicle.
5. Align the alignment pins of the fascia to the front fenders and moldings.
6. Engage the ball socket to the ball on the front fender

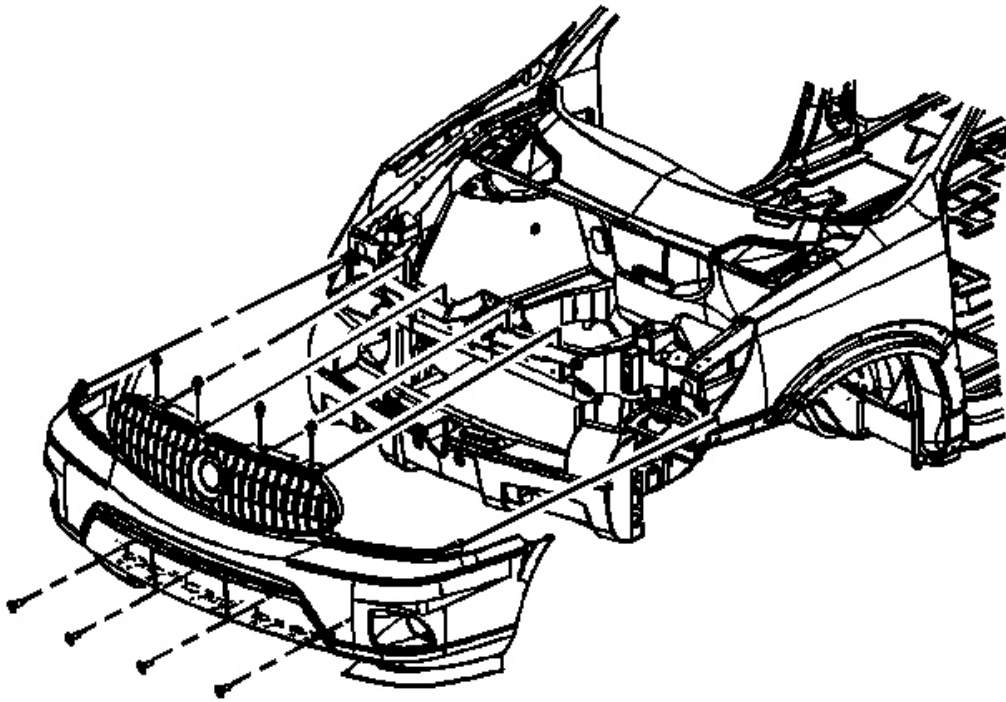


Fig. 14: View Of Front Bumper Fascia (Rendezvous)
Courtesy of GENERAL MOTORS CORP.

7. Install the push-in the retainers starting at the center, to the front upper bumper fascia support.

NOTE: Refer to Fastener Notice in Cautions and Notices.

8. Install the bolts to the front fascia at the front fenders.

Tighten: Tighten the front fascia bolts to 10 N.m (89 lb in).

IMPORTANT: Push the retainer tabs up and against the front bumper energy absorber.

9. Install the push-in retainers to the fascia at the energy absorber.
10. Install the fog lamps. Refer to **Fog Lamp Replacement - Front (Aztek)** or **Fog Lamp Replacement - Front (Rendezvous)** in Lighting Systems.
11. Install the headlamps. Refer to **Headlamp Assembly or Headlamp Bulb Replacement (Aztek)** or **Headlamp Assembly or Headlamp Bulb Replacement (Rendezvous)** in Lighting Systems.
12. Install the front fender liners. Refer to **Front Fender Liner Replacement** in Body Front End.

FASCIA REPLACEMENT - FRONT BUMPER - LOWER (AZTEK)

Tools Required

J 38778 Door Trim Pad and Garnish Clip Remover

Removal Procedure

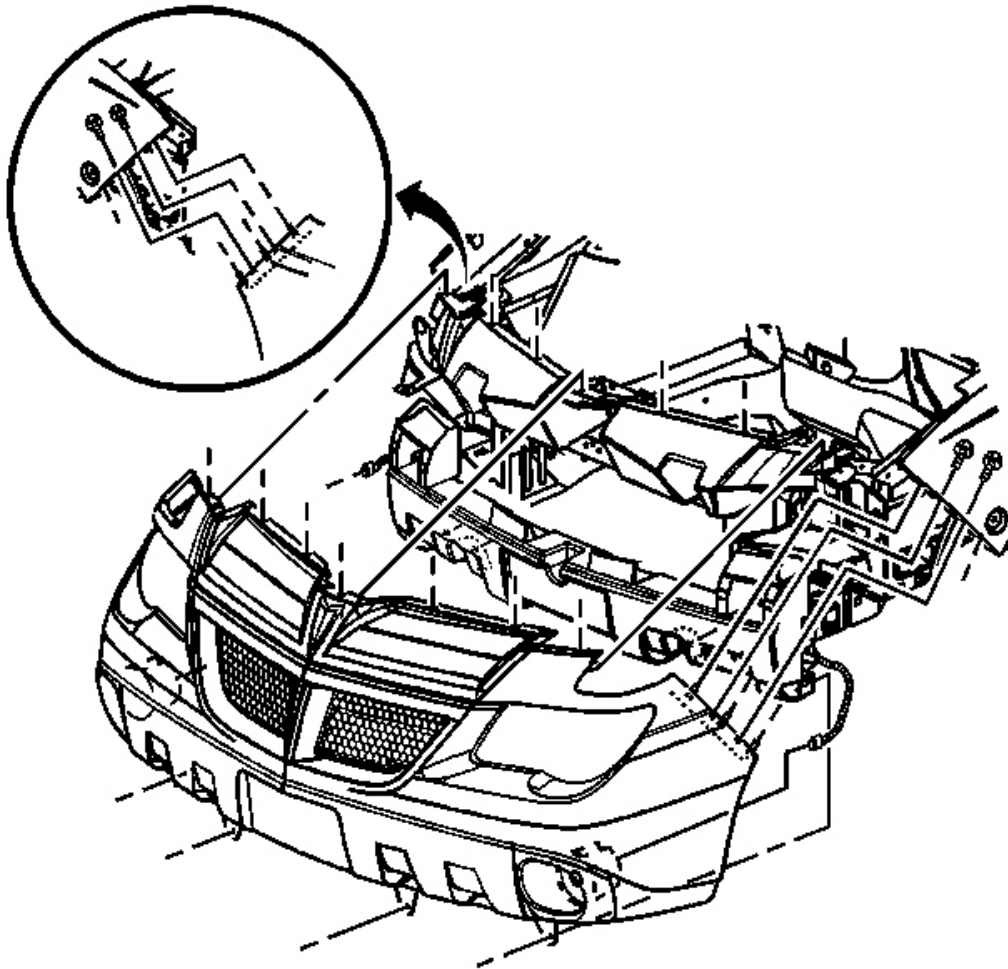


Fig. 15: View Of Front Bumper Fascia Bolts (Aztek)
Courtesy of GENERAL MOTORS CORP.

1. Remove the front fender liners. Refer to **Front Fender Liner Replacement** in Body Front End.
2. Remove the headlamps. Refer to **Headlamp Assembly or Headlamp Bulb Replacement (Aztek)** or

Headlamp Assembly or Headlamp Bulb Replacement (Rendezvous) in Lighting Systems.

3. Remove the fog lamps. Refer to **Fog Lamp Replacement - Front (Aztek)** or **Fog Lamp Replacement - Front (Rendezvous)** in Lighting Systems.
4. Remove the bolts from the front bumper fascia at the fender.

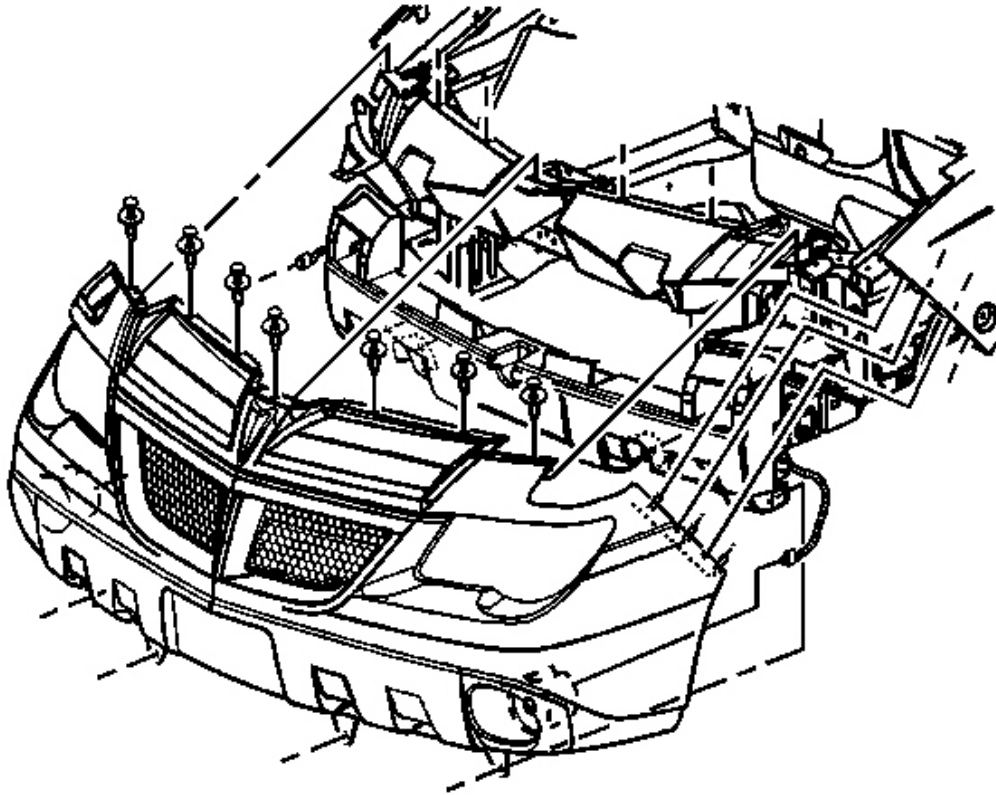


Fig. 16: Identifying Upper Bumper Fascia Support Push-In Retainers (Aztek)
Courtesy of GENERAL MOTORS CORP.

5. Remove the push-in retainers from the upper bumper fascia support using **J 38778** .

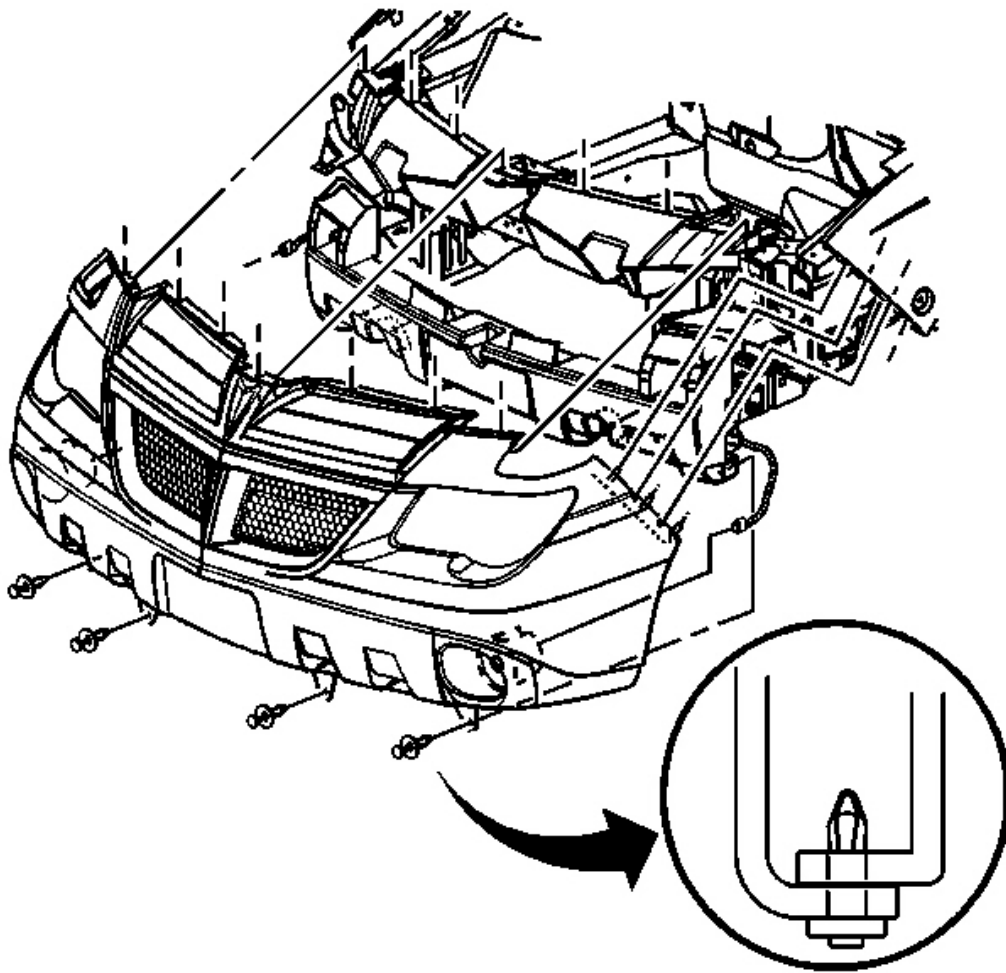


Fig. 17: Locating Front Bumper Energy Absorber Push-In Retainers (Aztek)
Courtesy of GENERAL MOTORS CORP.

6. Remove the push-in retainers to the fascia at the front bumper energy absorber using **J 38778** .
7. Remove the fascia from the vehicle.
8. Remove the grilles from the fascia. Refer to **Fascia Grille Replacement (Aztek)** or **Fascia Grille Replacement (Rendezvous)** .
9. Remove the fascia outer support from the fascia.

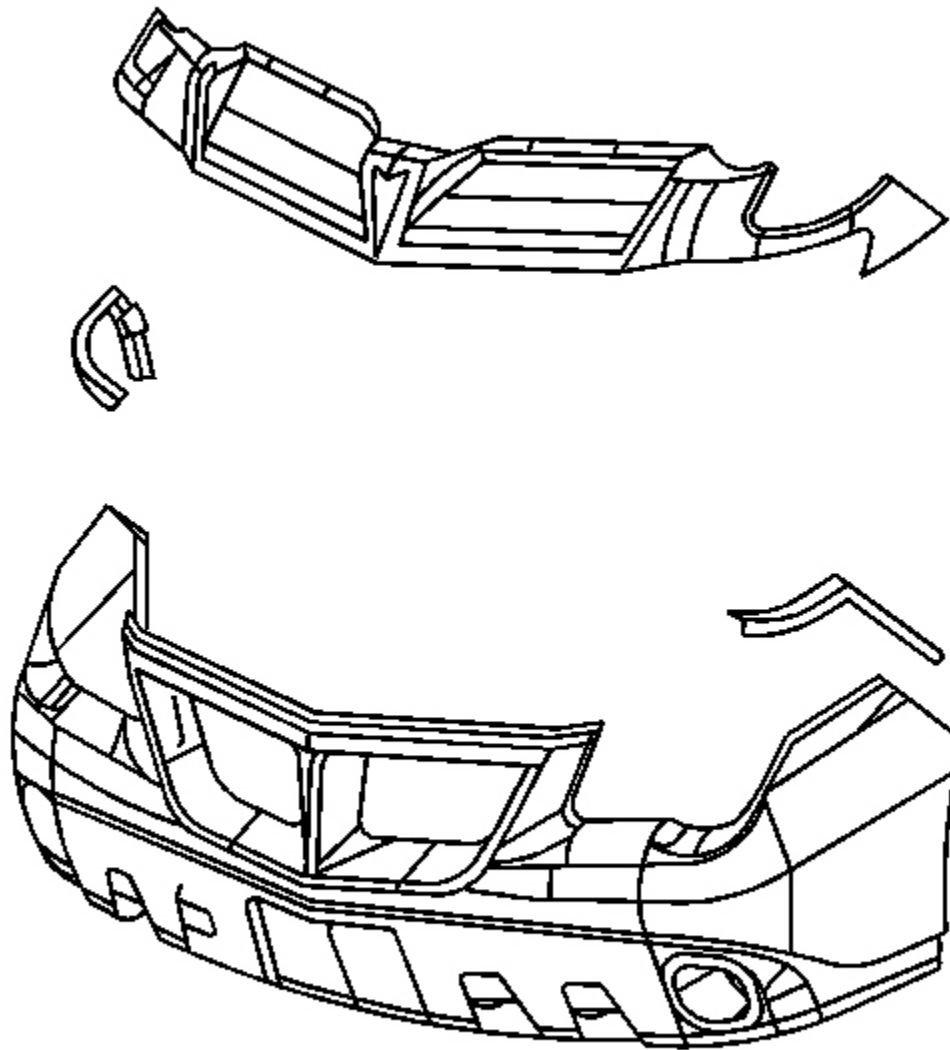


Fig. 18: View of Upper & Lower Fascia (Aztek)
Courtesy of GENERAL MOTORS CORP.

10. Remove the upper fascia from the lower fascia.

Installation Procedure

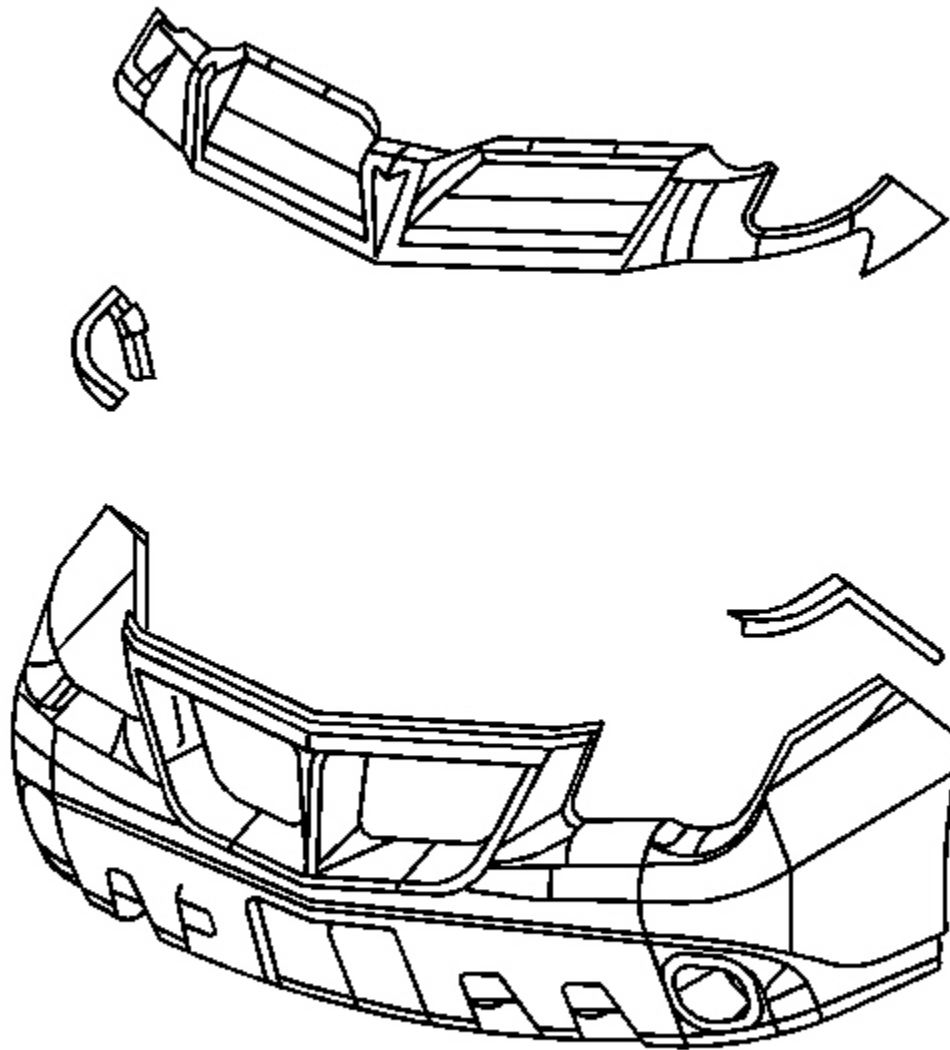


Fig. 19: View of Upper & Lower Fascia (Aztek)
Courtesy of GENERAL MOTORS CORP.

1. Install the upper fascia to the lower fascia.

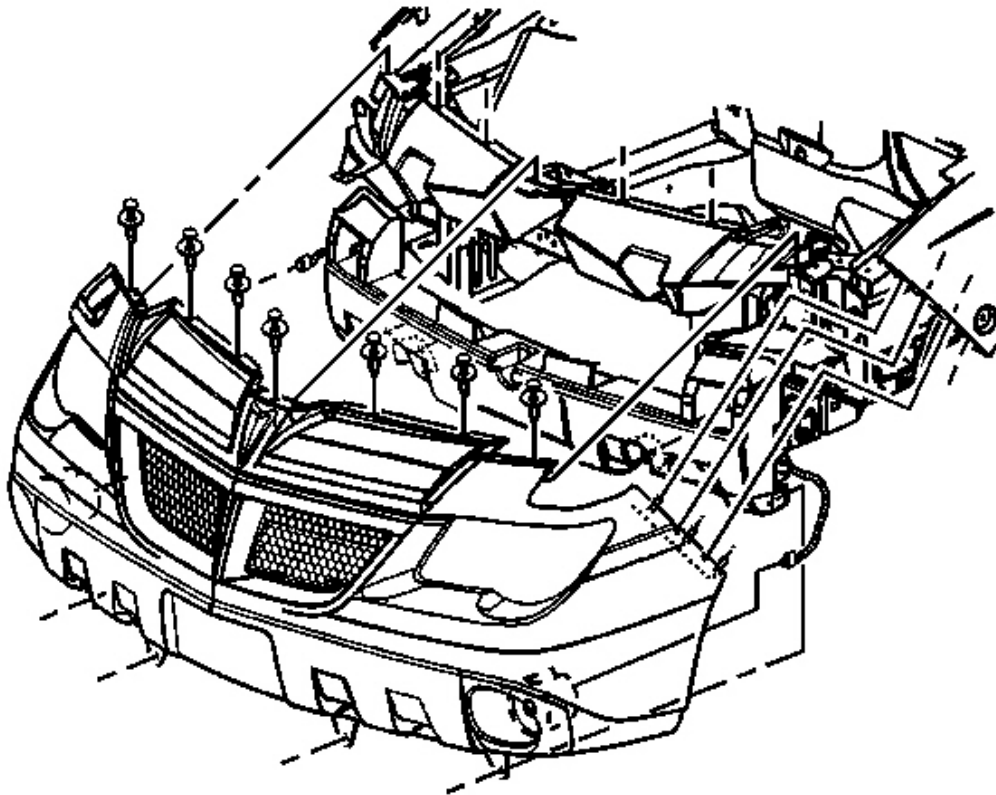


Fig. 20: Identifying Upper Bumper Fascia Support Push-In Retainers (Aztek)
Courtesy of GENERAL MOTORS CORP.

2. Install the fascia outer support to the fascia.
3. Install the grilles. Refer to **Fascia Grille Replacement (Aztek)** or **Fascia Grille Replacement (Rendezvous)** .
4. Position the fascia to the vehicle.
5. Align the alignment pins of the fascia to the front fenders and moldings.
6. Install the push-in the retainers starting at the center, to the front upper bumper fascia support.

NOTE: **Refer to Fastener Notice in Cautions and Notices.**

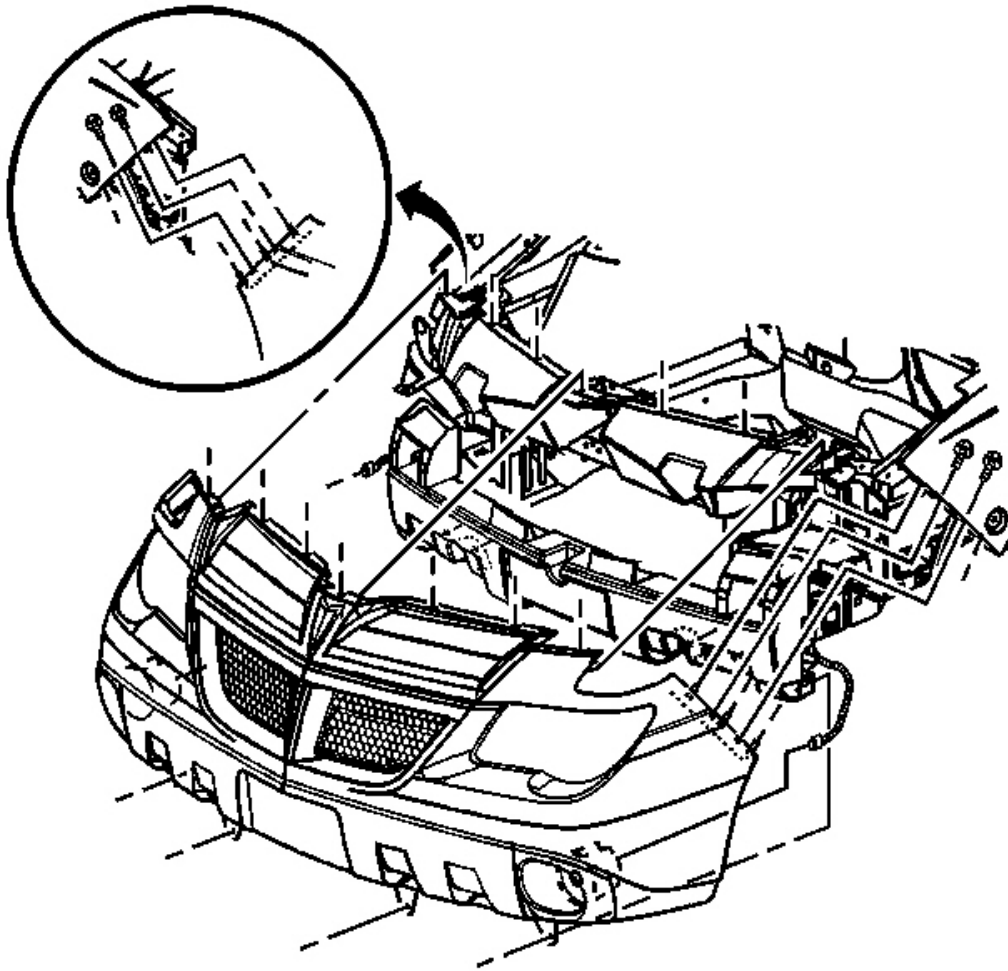


Fig. 21: View Of Front Bumper Fascia Bolts (Aztek)
Courtesy of GENERAL MOTORS CORP.

7. Install the bolts to the front fascia at the front fenders.

Tighten: Tighten the front fascia bolts to 10 N.m (89 lb in).

IMPORTANT: Push the retainer tabs up and against the front bumper energy absorber.

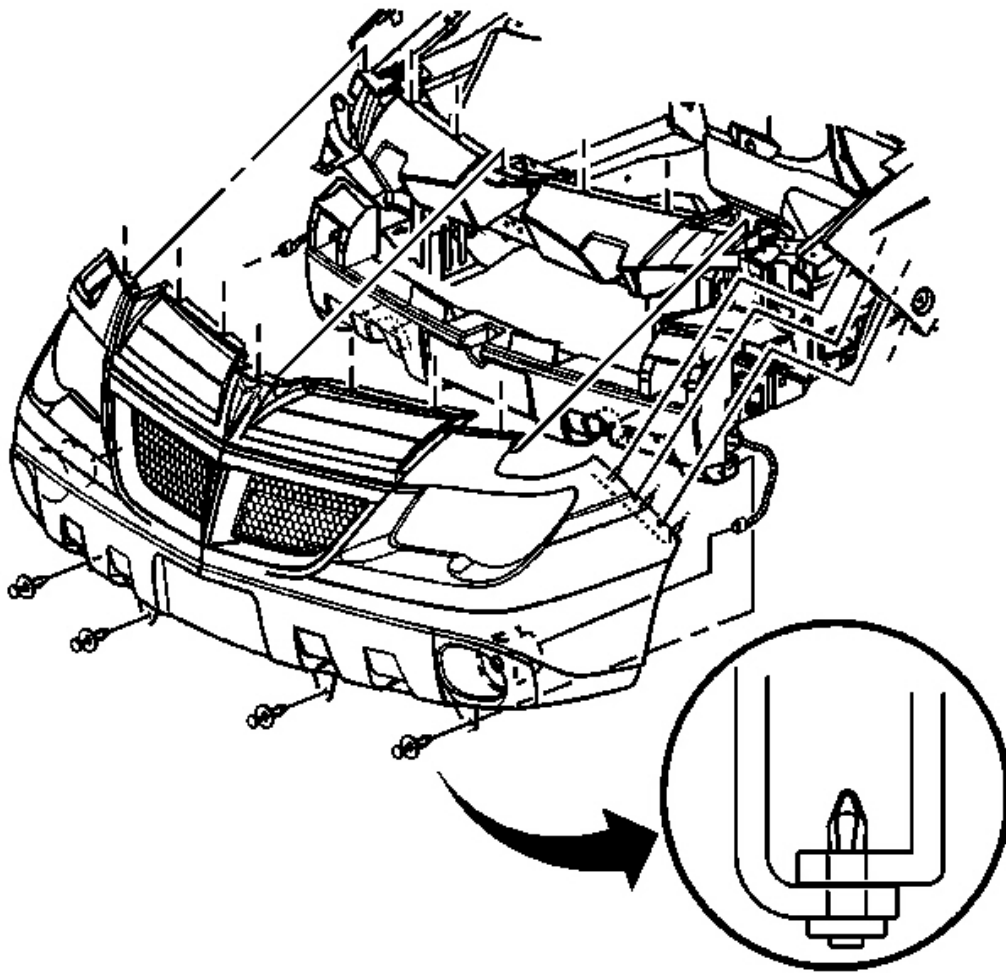


Fig. 22: Locating Front Bumper Energy Absorber Push-In Retainers (Aztek)
Courtesy of GENERAL MOTORS CORP.

8. Install the push-in retainers to the fascia at the energy absorber.
9. Install the fog lamps. Refer to **Fog Lamp Replacement - Front (Aztek)** or **Fog Lamp Replacement - Front (Rendezvous)** in Lighting Systems.
10. Install the headlamps. Refer to **Headlamp Assembly or Headlamp Bulb Replacement (Aztek)** or **Headlamp Assembly or Headlamp Bulb Replacement (Rendezvous)** in Lighting Systems.
11. Install the front fender liners. Refer to **Front Fender Liner Replacement** in Body Front End.

FASCIA REPLACEMENT - FRONT BUMPER - LOWER (RENDEZVOUS)

Tools Required

J 38778 Door Trim Pad and Garnish Clip Remover

Removal Procedure

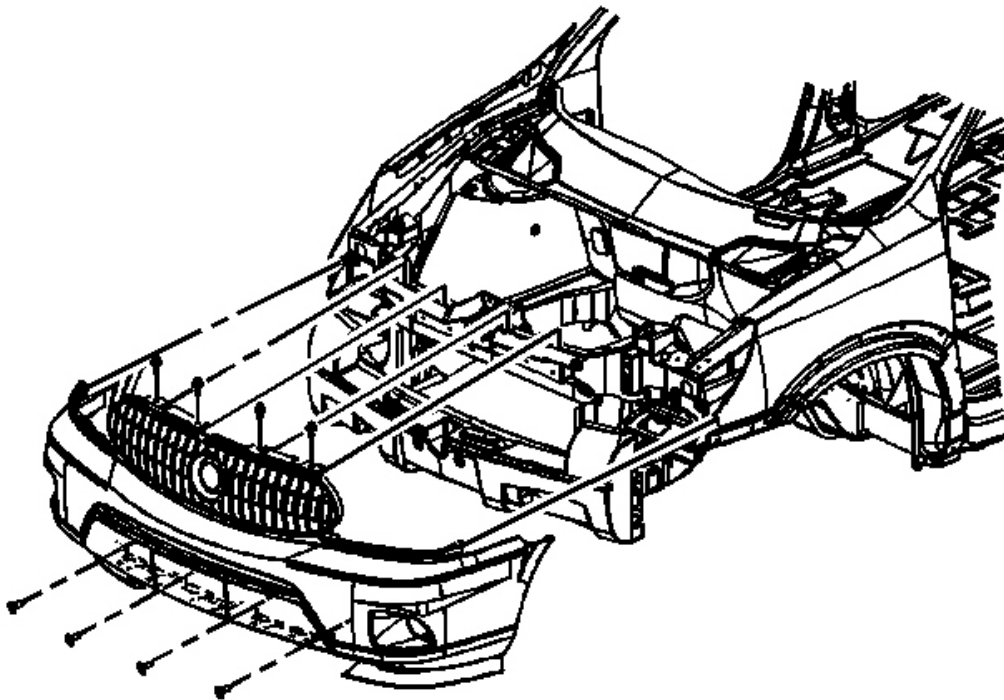


Fig. 23: View Of Front Bumper Fascia (Rendezvous)
Courtesy of GENERAL MOTORS CORP.

1. Remove the front fender liners. Refer to **Front Fender Liner Replacement** in Body Front End.
2. Remove the headlamps. Refer to **Headlamp Assembly or Headlamp Bulb Replacement (Aztek)** or **Headlamp Assembly or Headlamp Bulb Replacement (Rendezvous)** in Lighting Systems.
3. Remove the fog lamps. Refer to **Fog Lamp Replacement - Front (Aztek)** or **Fog Lamp Replacement - Front (Rendezvous)** in Lighting Systems.
4. Remove the bolts from the front bumper fascia at the fender.
5. Remove the push-in retainers from the upper bumper fascia support using **J 38778** .
6. Remove the push-in retainers from the fascia at the front bumper energy absorber using **J 38778** .

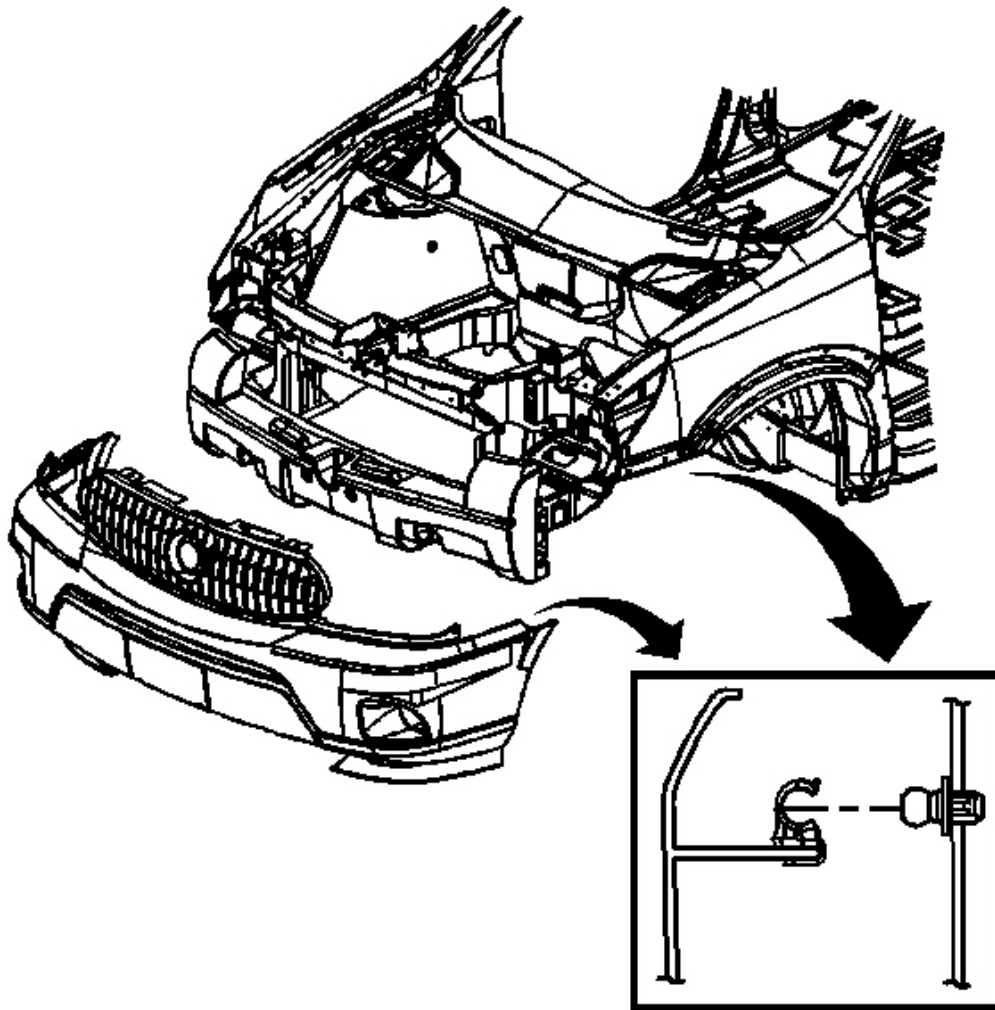


Fig. 24: Locating Front Fender Ball Socket Retainer (Rendezvous)
Courtesy of GENERAL MOTORS CORP.

7. Disengage the ball socket retainer from the ball on the front fender.
8. Remove the fascia from the vehicle.
9. Remove the grille from the fascia. Refer to **Fascia Grille Replacement (Aztek)** or **Fascia Grille Replacement (Rendezvous)** .
10. Remove the fascia outer support.

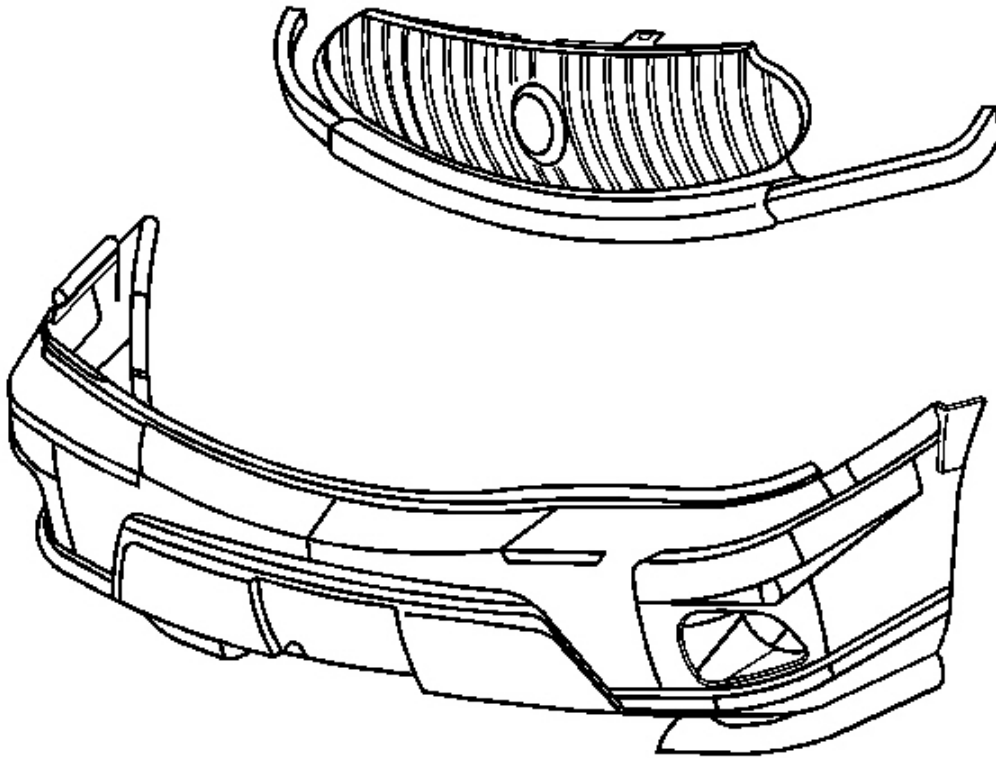


Fig. 25: View Of Upper & Lower Fascia (Rendezvous)
Courtesy of GENERAL MOTORS CORP.

11. Remove the upper fascia from the lower fascia.

Installation Procedure

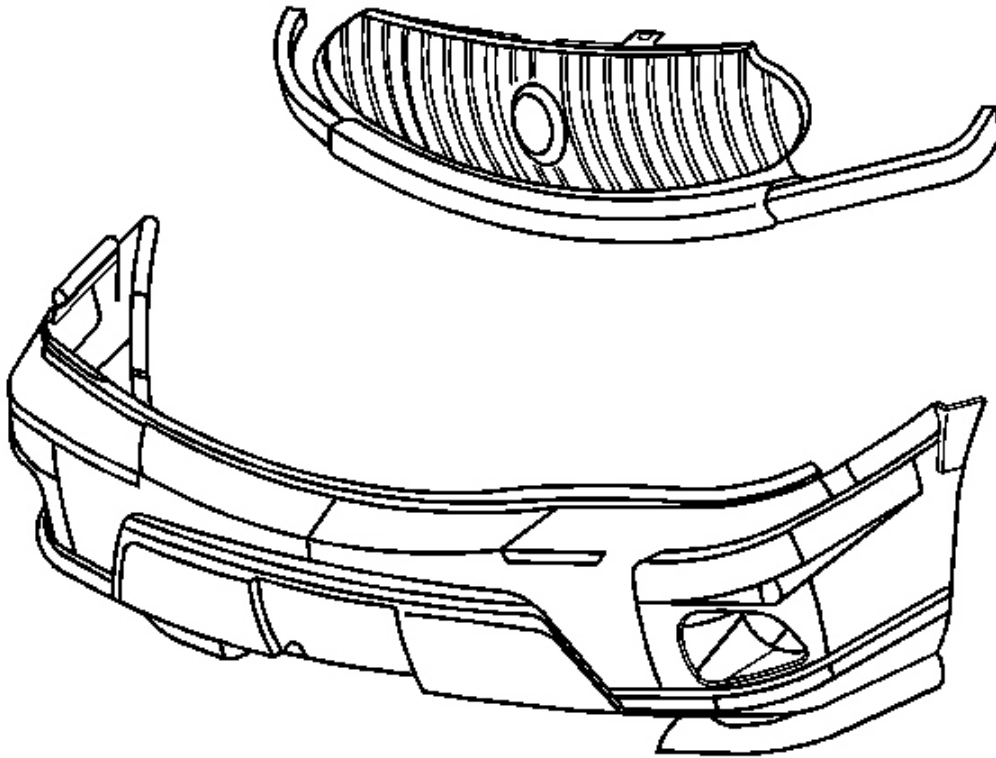


Fig. 26: View Of Upper & Lower Fascia (Rendezvous)
Courtesy of GENERAL MOTORS CORP.

1. Install the upper fascia to the lower fascia.

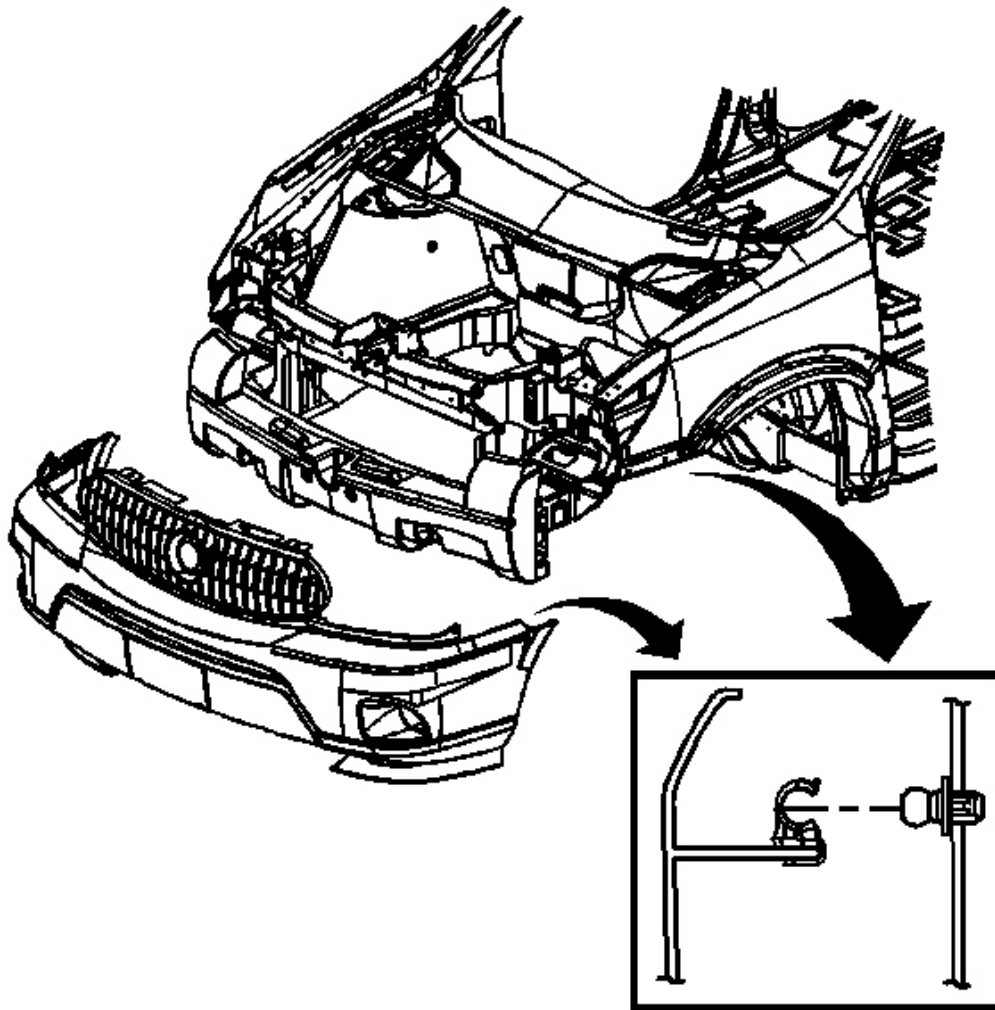


Fig. 27: Locating Front Fender Ball Socket Retainer (Rendezvous)
Courtesy of GENERAL MOTORS CORP.

2. Install the fascia outer support.
3. Install the grille to the fascia. Refer to **Fascia Grille Replacement (Aztek)** or **Fascia Grille Replacement (Rendezvous)** .
4. Position the fascia to the vehicle.
5. Align the alignment pins of the fascia to the front fenders and moldings.
6. Engage the ball socket to the ball on the front fender

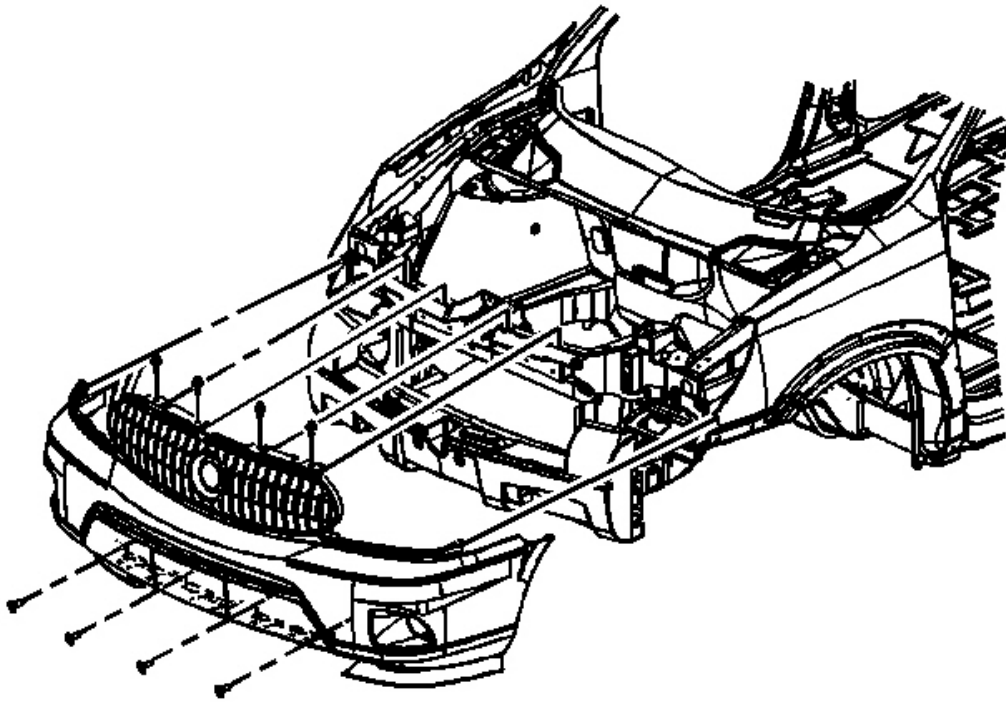


Fig. 28: View Of Front Bumper Fascia (Rendezvous)
Courtesy of GENERAL MOTORS CORP.

7. Install the push-in the retainers starting at the center, to the front upper bumper fascia support.

NOTE: Refer to Fastener Notice in Cautions and Notices.

8. Install the bolts to the front fascia at the front fenders.

Tighten: Tighten the front fascia bolts to 10 N.m (89 lb in).

IMPORTANT: Push the retainer tabs up and against the front bumper energy absorber.

9. Install the push-in retainers to the fascia at the energy absorber.
10. Install the fog lamps. Refer to **Fog Lamp Replacement - Front (Aztek)** or **Fog Lamp Replacement - Front (Rendezvous)** in Lighting Systems.
11. Install the headlamps. Refer to **Headlamp Assembly or Headlamp Bulb Replacement (Aztek)** or **Headlamp Assembly or Headlamp Bulb Replacement (Rendezvous)** in Lighting Systems.
12. Install the front fender liners. Refer to **Front Fender Liner Replacement** in Body Front End.

FASCIA GRILLE REPLACEMENT (AZTEK)

Removal Procedure

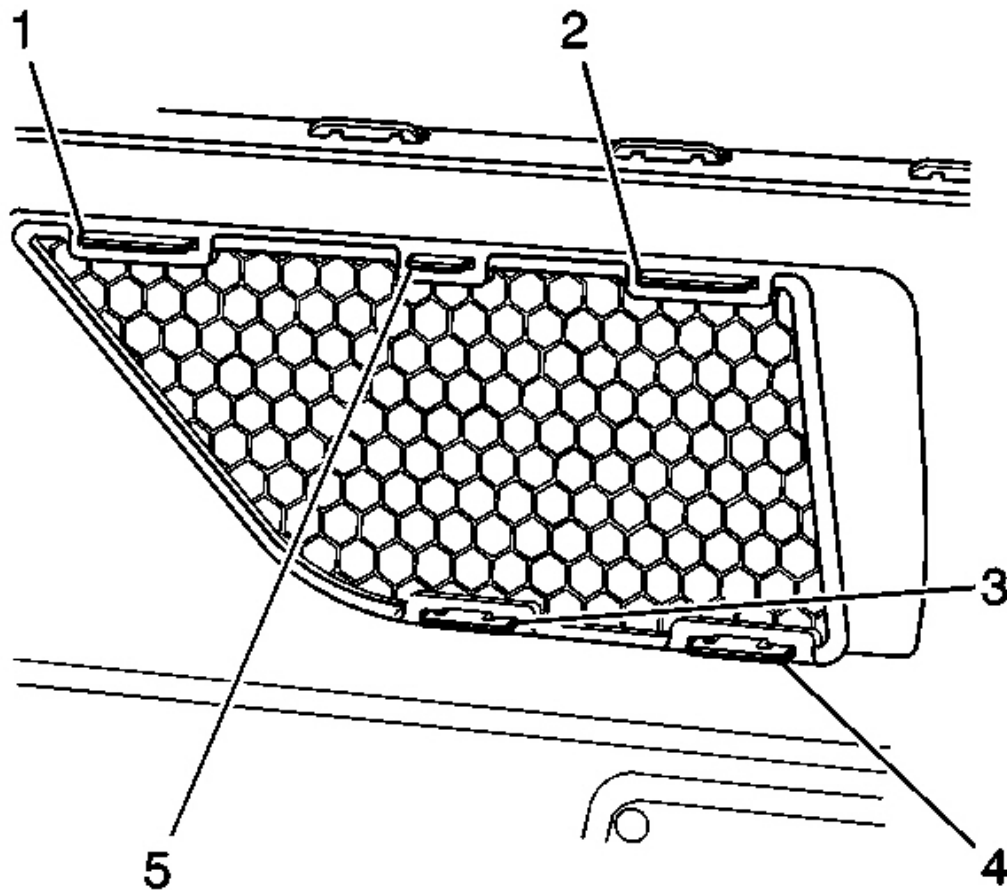


Fig. 29: View Of Fascia Grille Retaining Tabs (Aztek)
Courtesy of GENERAL MOTORS CORP.

1. Remove the headlamp assembly. Refer to **Headlamp Assembly or Headlamp Bulb Replacement (Aztek)** or **Headlamp Assembly or Headlamp Bulb Replacement (Rendezvous)** in Lighting Systems.
2. Using a small flat-bladed tool, reach into the opening behind the front fascia and depress the retaining tabs (1, 2, 3, 4, 5) that lock the front fascia grille to the front fascia.
3. Remove the grille from the front fascia.

Installation Procedure

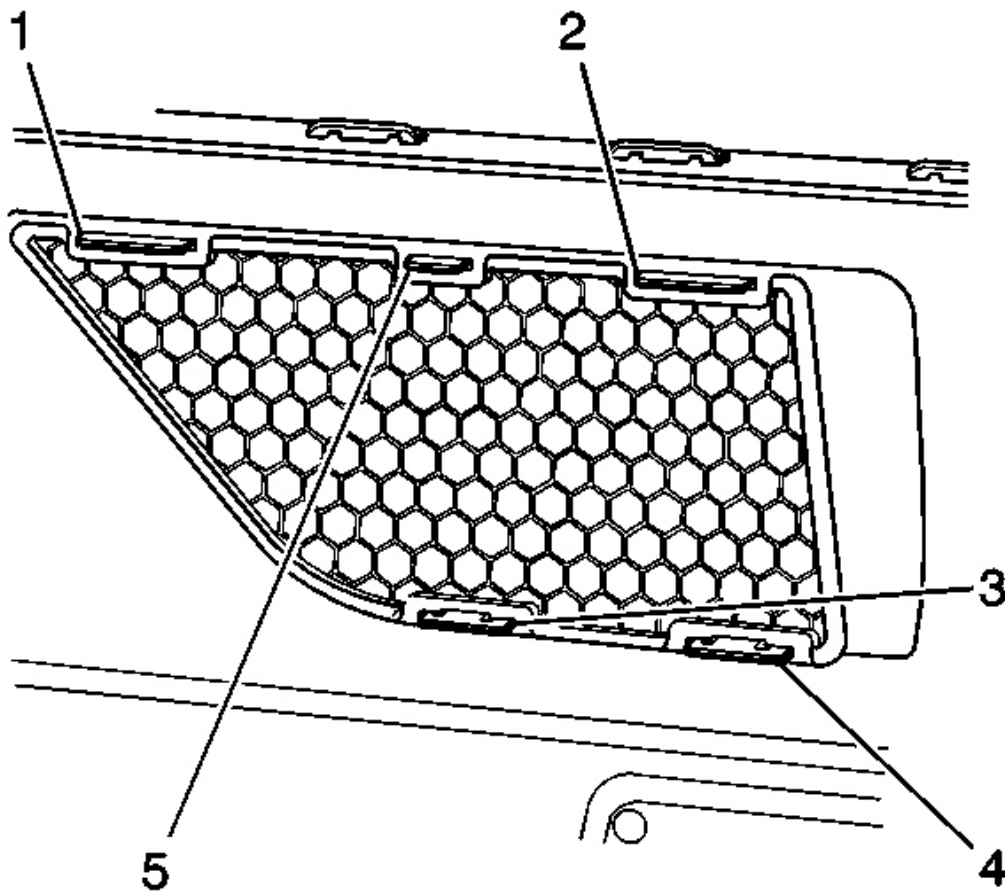


Fig. 30: View Of Fascia Grille Retaining Tabs (Aztek)
Courtesy of GENERAL MOTORS CORP.

1. Position the grille retaining tabs to the slots in the front fascia.
2. Install the grille by pressing into place until the retaining tabs (1, 2, 3, 4, 5) are fully seated.
3. Install the headlamp assembly. Refer to **Headlamp Assembly or Headlamp Bulb Replacement (Aztek)** or **Headlamp Assembly or Headlamp Bulb Replacement (Rendezvous)** in Lighting Systems.

FASCIA GRILLE REPLACEMENT (RENDEZVOUS)

Removal Procedure

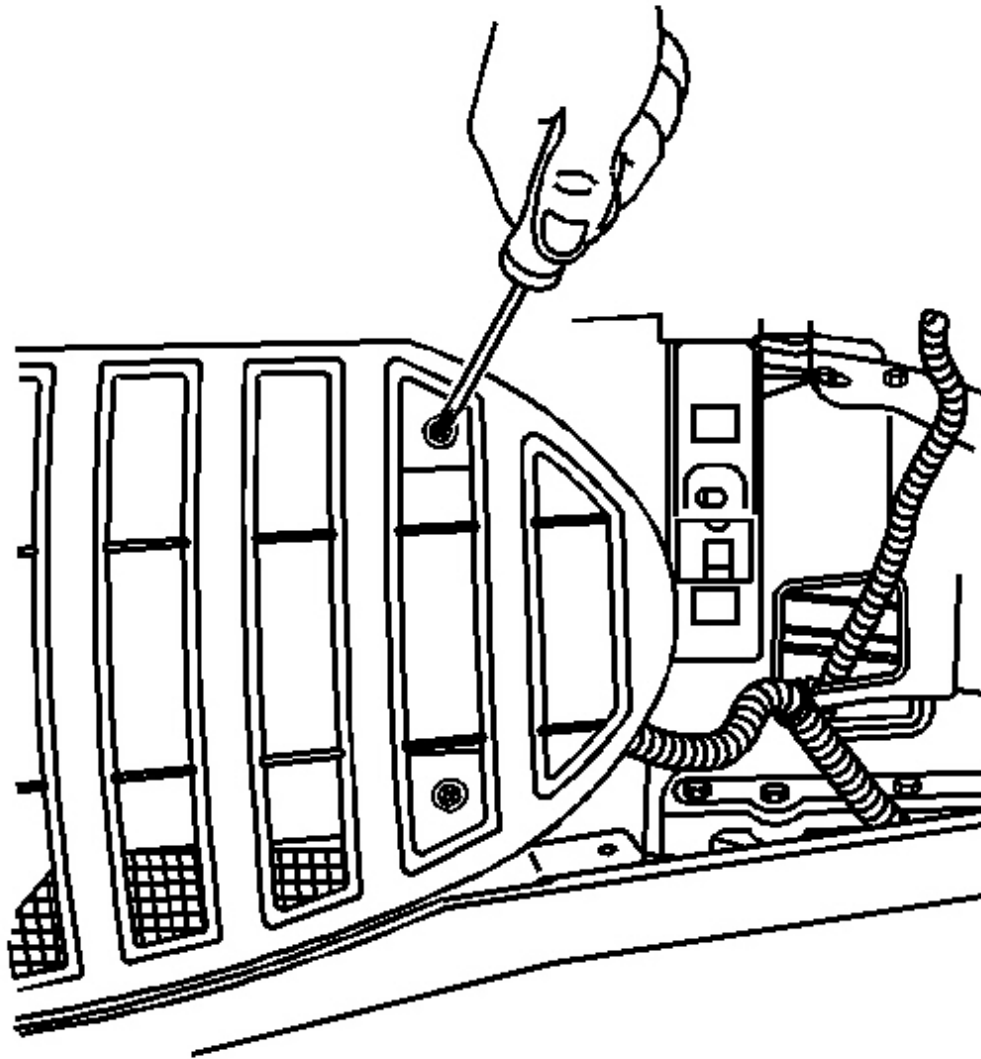


Fig. 31: Locating Fascia Grille Retaining Screws (Rendezvous)
Courtesy of GENERAL MOTORS CORP.

1. Remove the headlamp assembly refer to **Headlamp Assembly or Headlamp Bulb Replacement (Aztek)** or **Headlamp Assembly or Headlamp Bulb Replacement (Rendezvous)** in Lighting Systems.
2. Remove the grille screws.

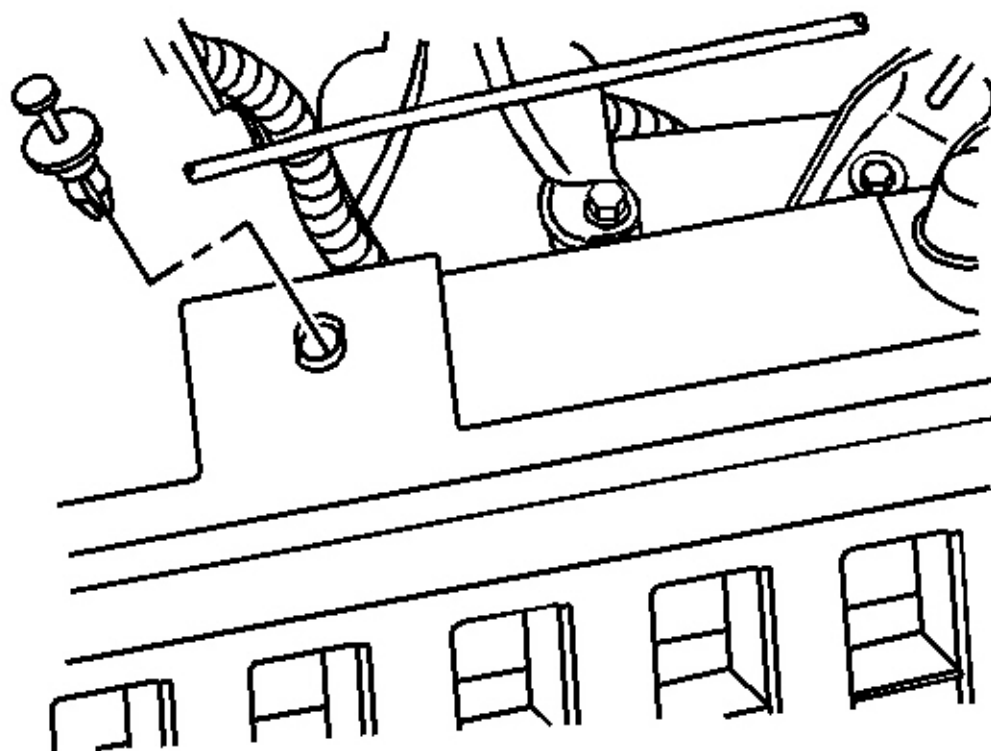


Fig. 32: View Of Upper Grille Retainers (Rendezvous)
Courtesy of GENERAL MOTORS CORP.

3. Remove the retainers from the top of the grille.
4. Using a flat bladed tool, reach into the opening behind front fascia and depress the tabs that lock the front fascia grille to the front fascia.
5. Remove the grille from the front fascia.

Installation Procedure

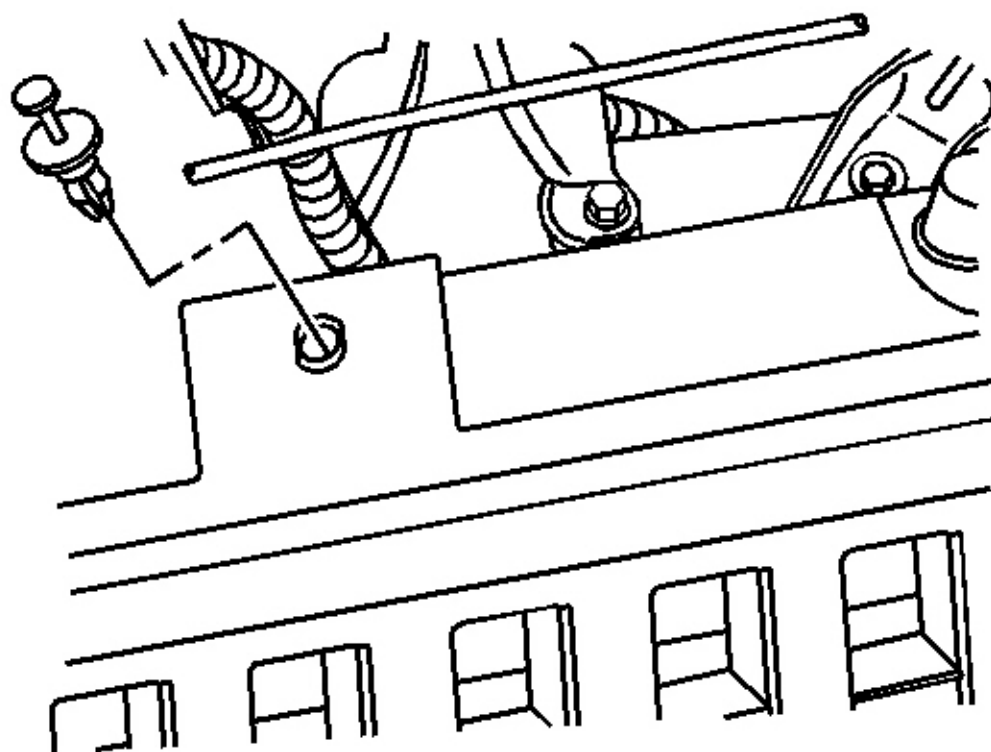


Fig. 33: View Of Upper Grille Retainers (Rendezvous)
Courtesy of GENERAL MOTORS CORP.

1. Align the grille pin and locking tabs to the front fascia.
2. Press inward on the grille until all tabs are locked in place.
3. Install the retainers to the top of the grille.

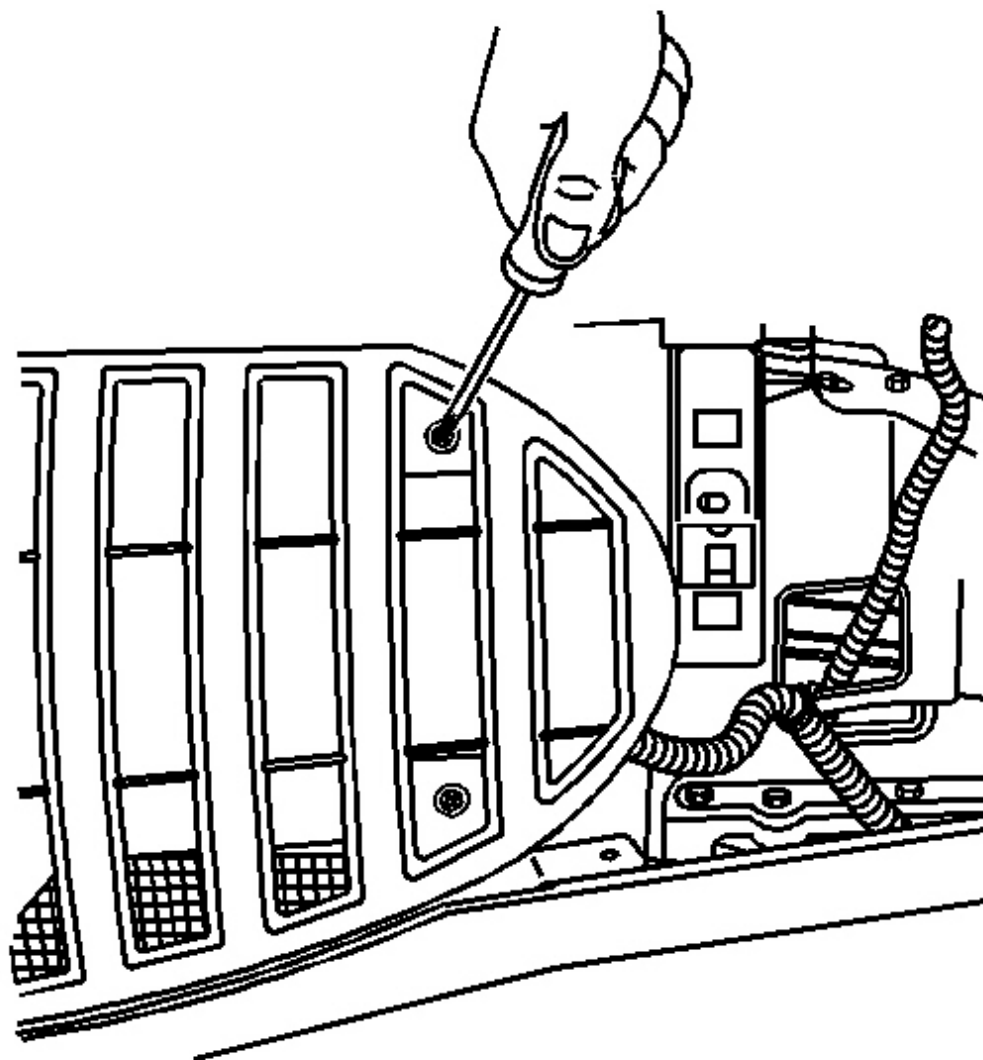


Fig. 34: Locating Fascia Grille Retaining Screws (Rendezvous)
Courtesy of GENERAL MOTORS CORP.

NOTE: Refer to Fastener Notice in Cautions and Notices.

4. Install the grille screws.

Tighten: Tighten the grille screws to 2 N.m (18 lb in).

5. Install the headlamp assembly refer to **Headlamp Assembly or Headlamp Bulb Replacement (Aztek)** or **Headlamp Assembly or Headlamp Bulb Replacement (Rendezvous)** in Lighting Systems.

FASCIA SUPPORT REPLACEMENT - FRONT BUMPER UPPER

Removal Procedure

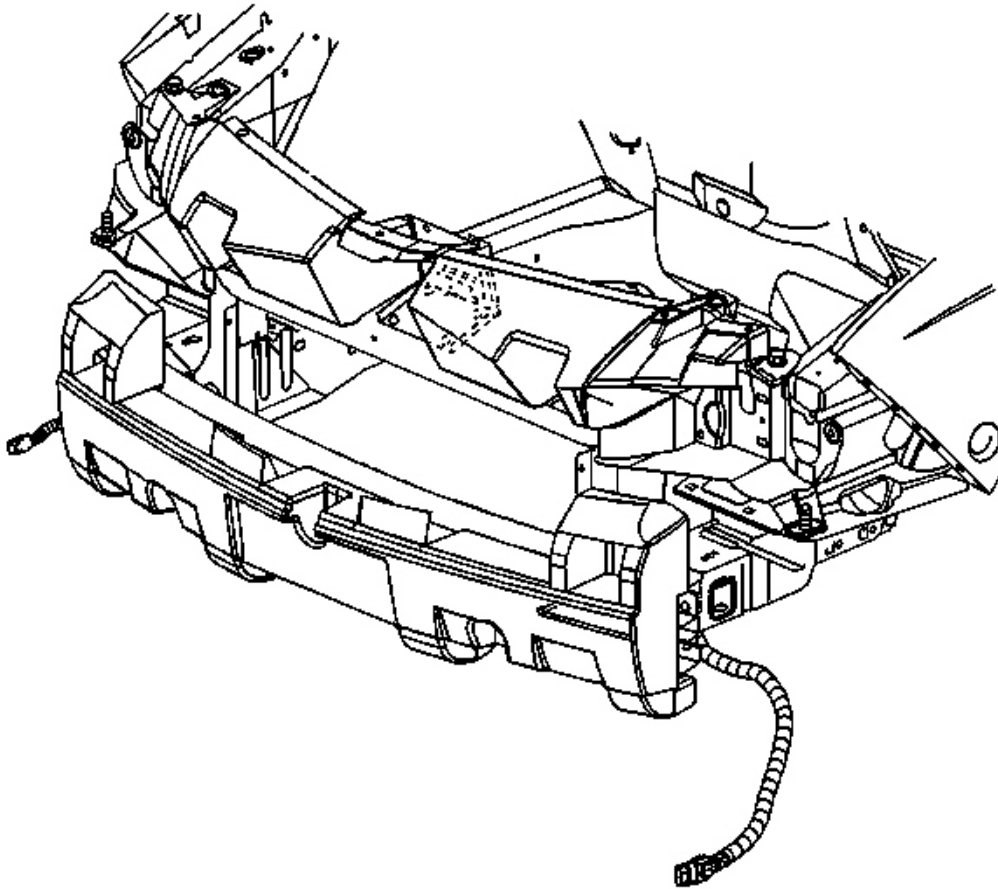


Fig. 35: View Of Headlamp Wiring Harness
Courtesy of GENERAL MOTORS CORP.

1. Remove the fascia. Refer to **Fascia Replacement - Front Bumper - Upper (Aztek)** or **Fascia Replacement - Front Bumper - Upper (Rendezvous)** .
2. Remove the hood latch and cable. Refer to **Hood Latch Release Cable Replacement** .
3. Disconnect the headlamp wiring harness from the fascia upper support.

4. Remove the bolts from the fascia upper support.

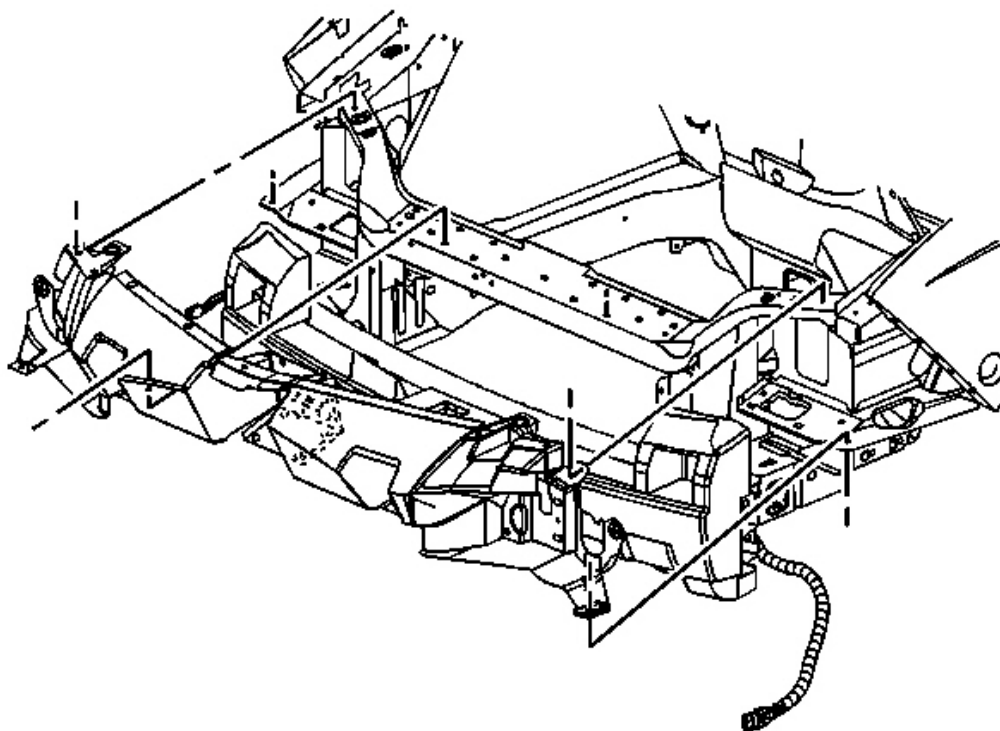


Fig. 36: Identifying Fascia Upper Support
Courtesy of GENERAL MOTORS CORP.

5. Remove the fascia upper support from the upper radiator support.

Installation Procedure

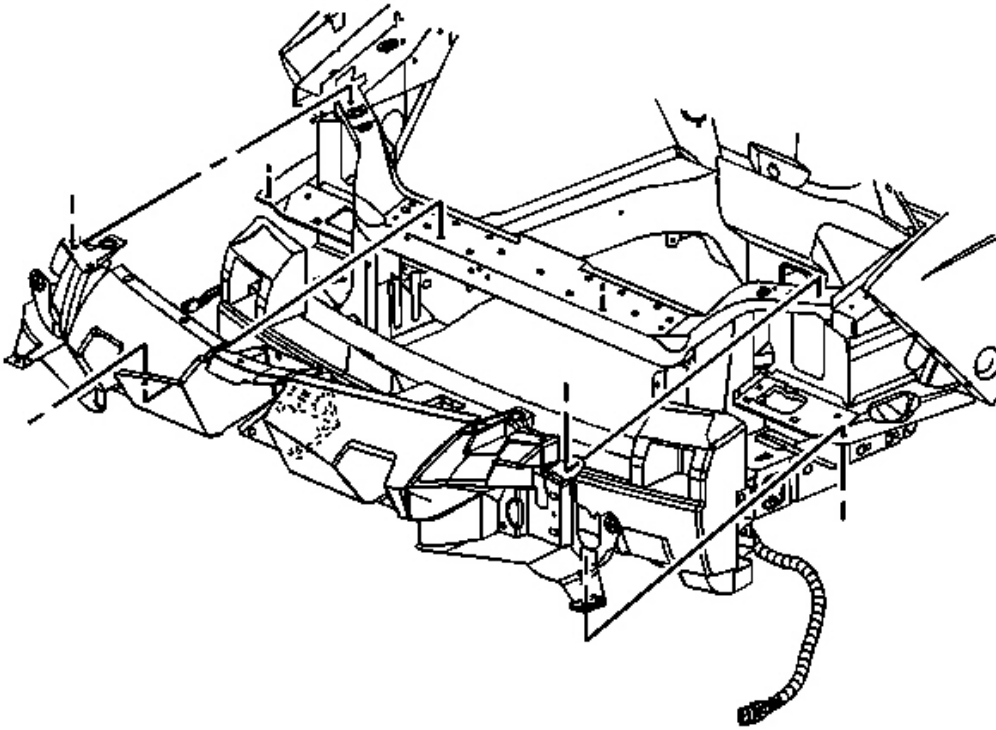


Fig. 37: Identifying Fascia Upper Support
Courtesy of GENERAL MOTORS CORP.

1. Position the fascia upper support to the upper radiator support.

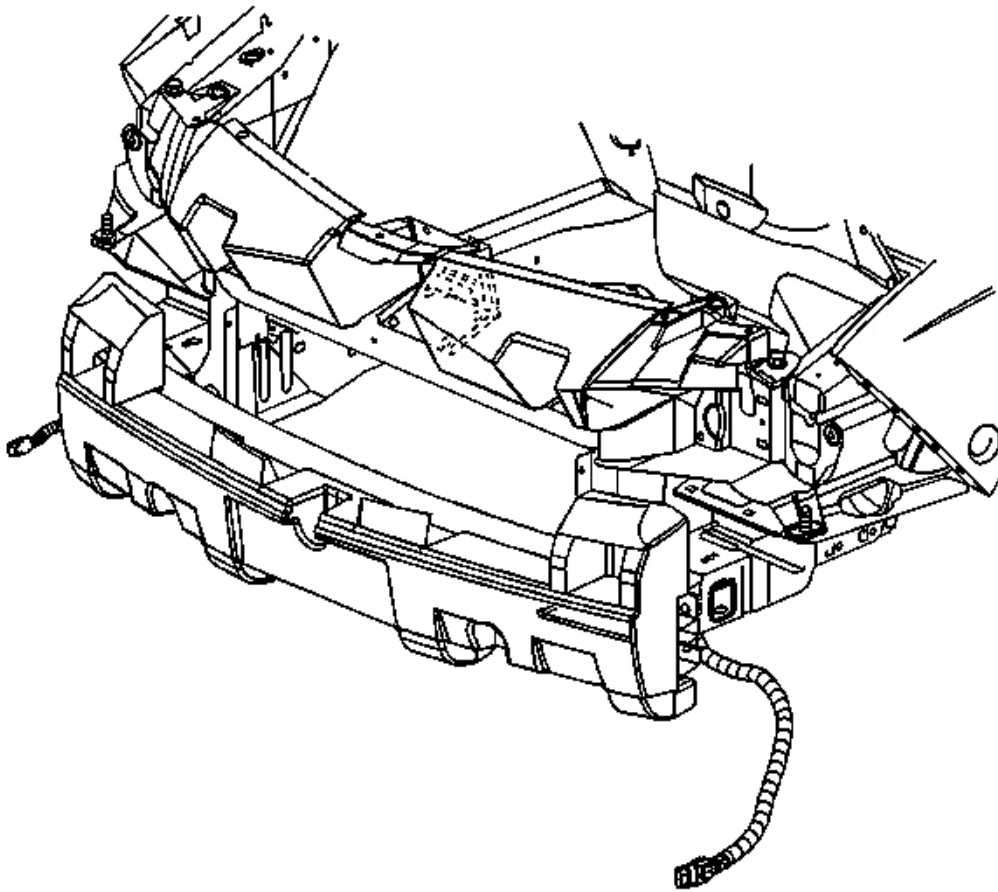


Fig. 38: View Of Headlamp Wiring Harness
Courtesy of GENERAL MOTORS CORP.

NOTE: Refer to Fastener Notice in Cautions and Notices.

2. Install the bolts to the fascia upper support.

Tighten: Tighten the bolts to 5 N.m (44 lb in).

3. Install the bolts to the fascia lower support.

Tighten: Tighten the bolts to 10 N.m (89 lb in).

4. Connect the headlamp wiring harness to the fascia upper support.

5. Install the hood latch and cable. Refer to **Hood Latch Release Cable Replacement** .
6. Install the front bumper fascia. Refer to **Fascia Replacement - Front Bumper - Upper (Aztek)** or **Fascia Replacement - Front Bumper - Upper (Rendezvous)** .

IMPACT BAR REPLACEMENT - FRONT BUMPER

Removal Procedure

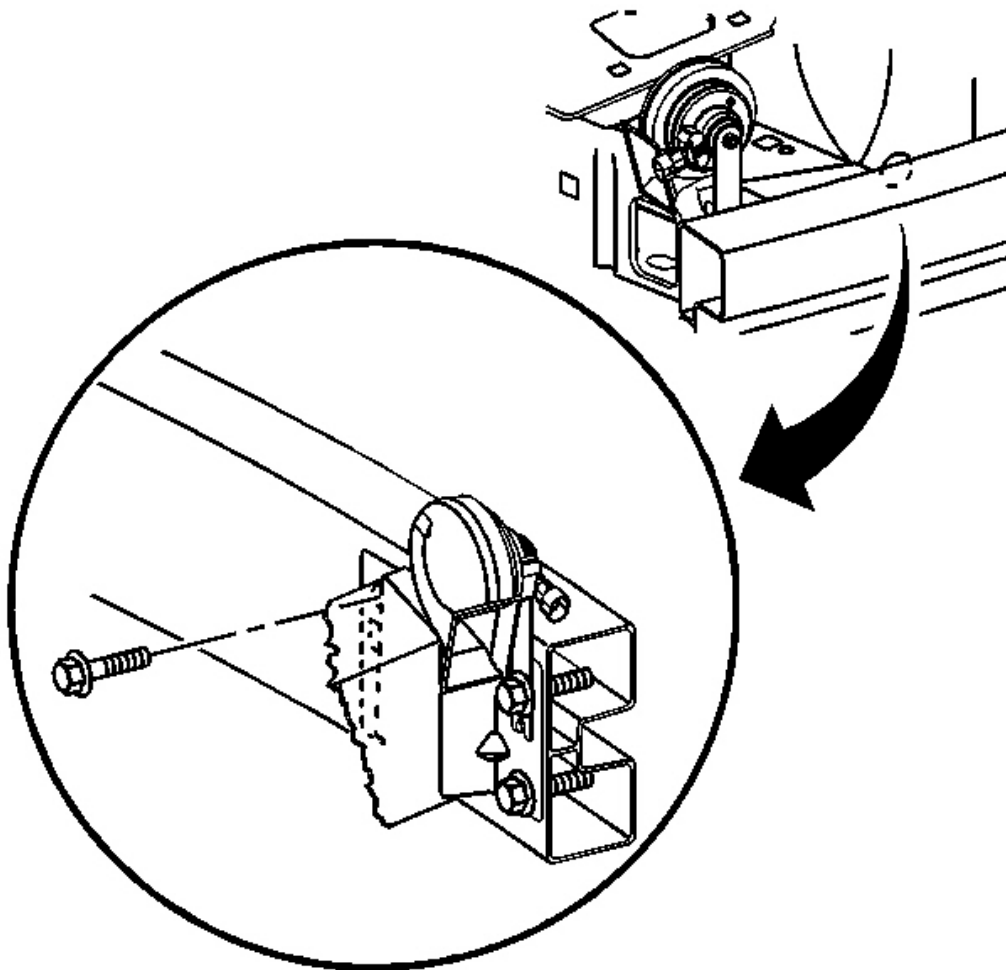


Fig. 39: Cross Sectional View Of Upper Inboard Impact Bolt
Courtesy of GENERAL MOTORS CORP.

1. Remove the front bumper fascia. Refer to **Fascia Replacement - Front Bumper - Upper (Aztek)** or **Fascia Replacement - Front Bumper - Upper (Rendezvous)** .

2. Remove the energy absorber. Refer to **Energy Absorber Replacement - Front (Aztek)** or **Energy Absorber Replacement - Front (Rendezvous)** .
3. Remove the bolt from the upper inboard impact bar through the access hole in the radiator support.

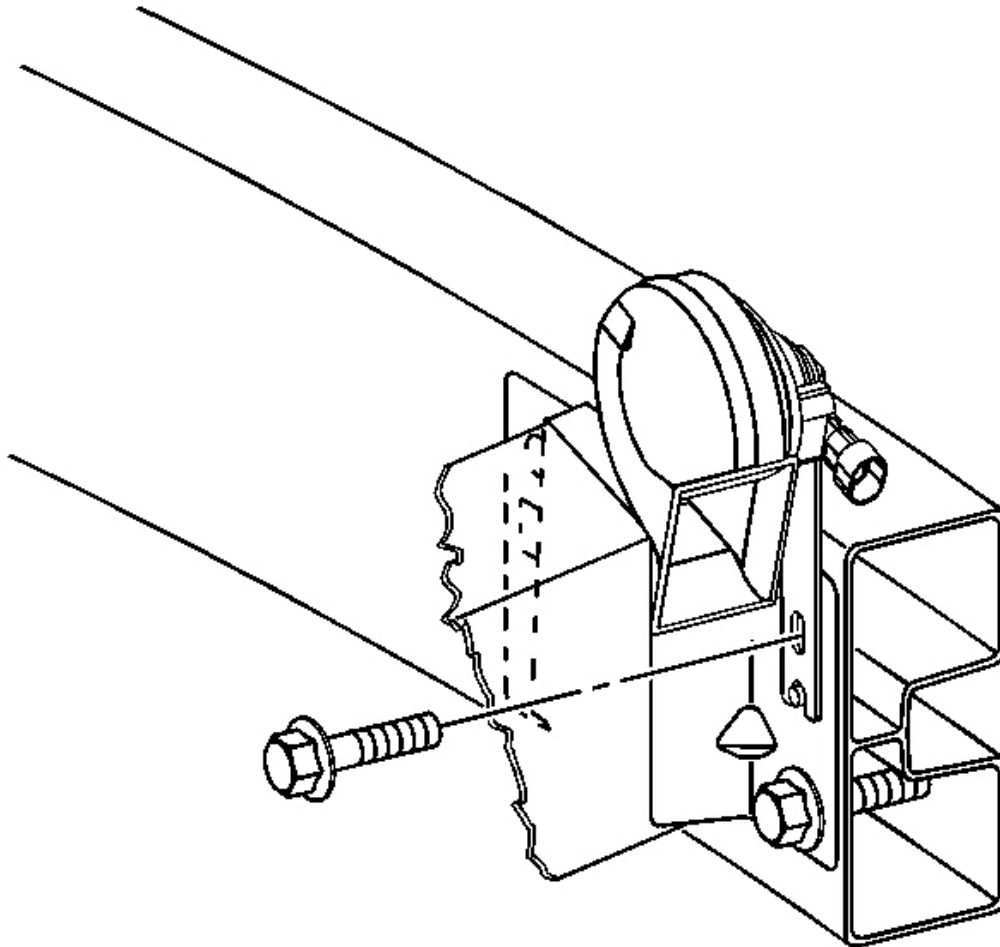


Fig. 40: Locating Horns Mounting Bolts
Courtesy of GENERAL MOTORS CORP.

4. Disconnect the electrical connector from the horn.
5. Remove the horns from the impact bar.

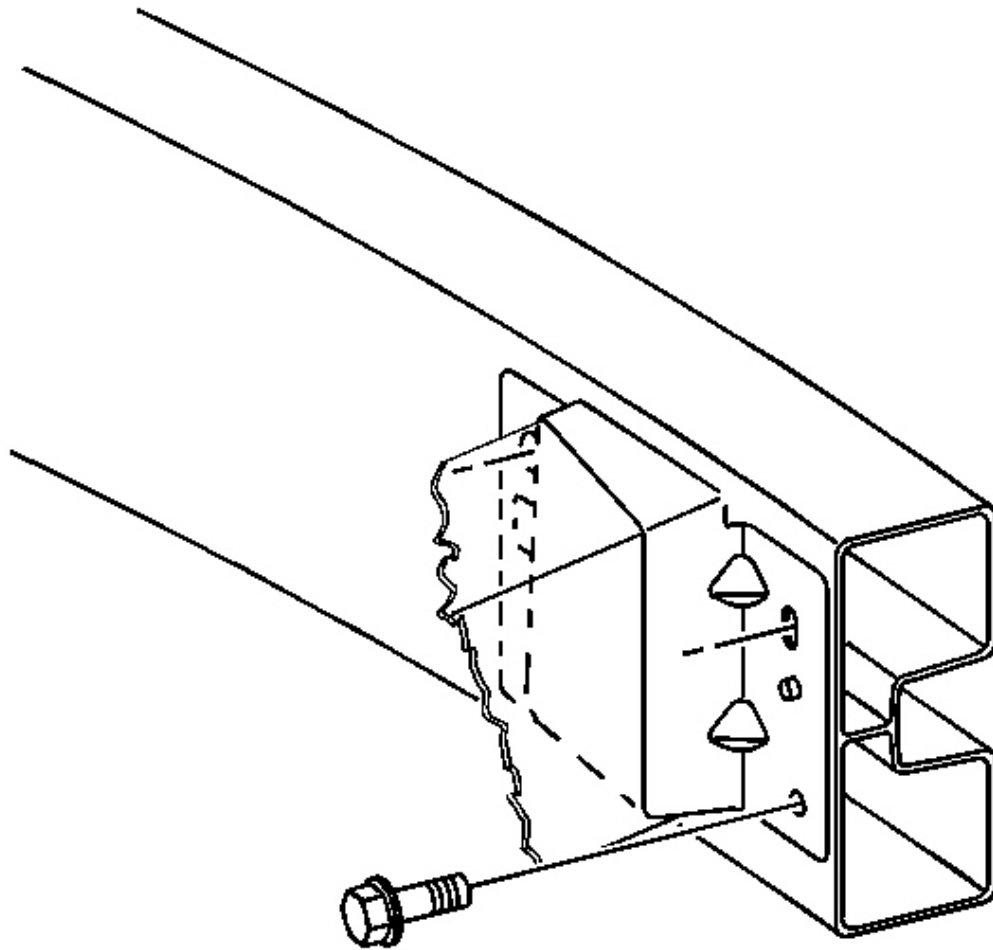


Fig. 41: View Of Impact Bar Bolts
Courtesy of GENERAL MOTORS CORP.

6. Remove the remainder of the impact bar bolts.
7. Remove the impact bar.

Installation Procedure

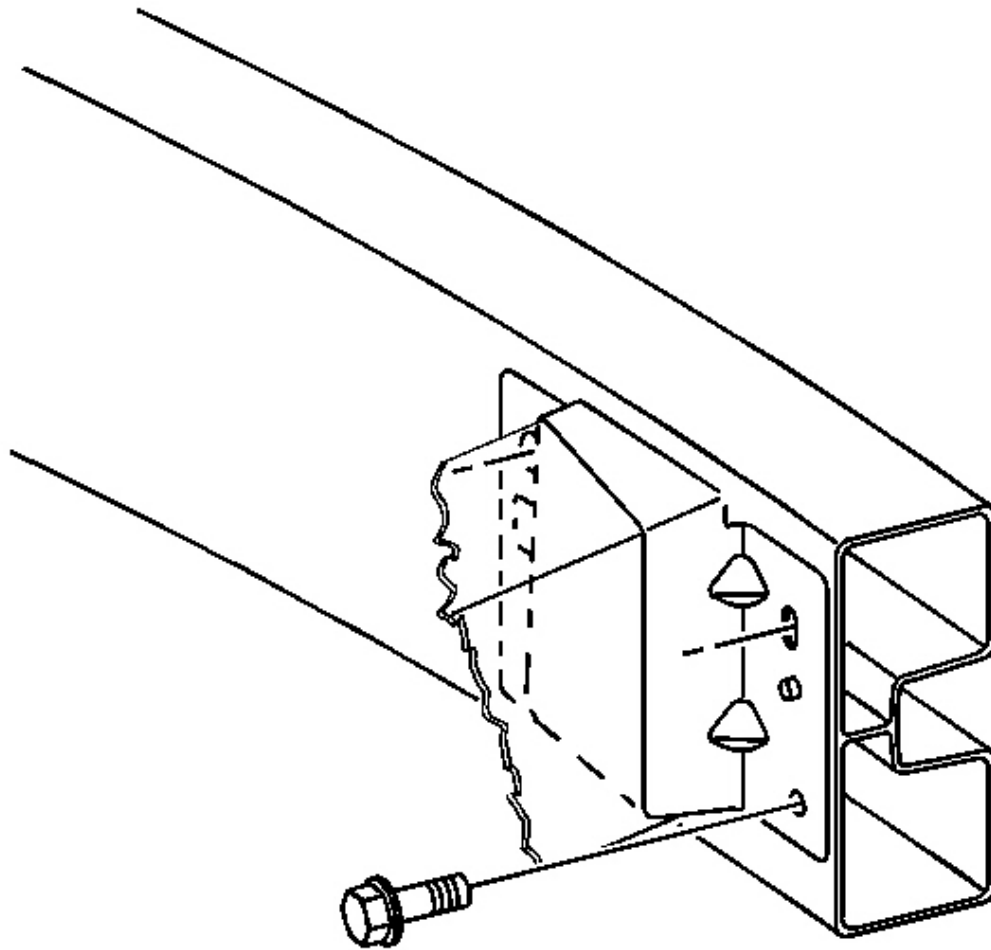


Fig. 42: View Of Impact Bar Bolts
Courtesy of GENERAL MOTORS CORP.

IMPORTANT: Position the left side first, then the right side.

1. Position the impact bar to the body using the alignment pin for location.

NOTE: Refer to Fastener Notice in Cautions and Notices.

2. Install the bolts to secure the impact bar to the front bumper.

Tighten: Tighten the bolts to 25 N.m (18 lb ft).

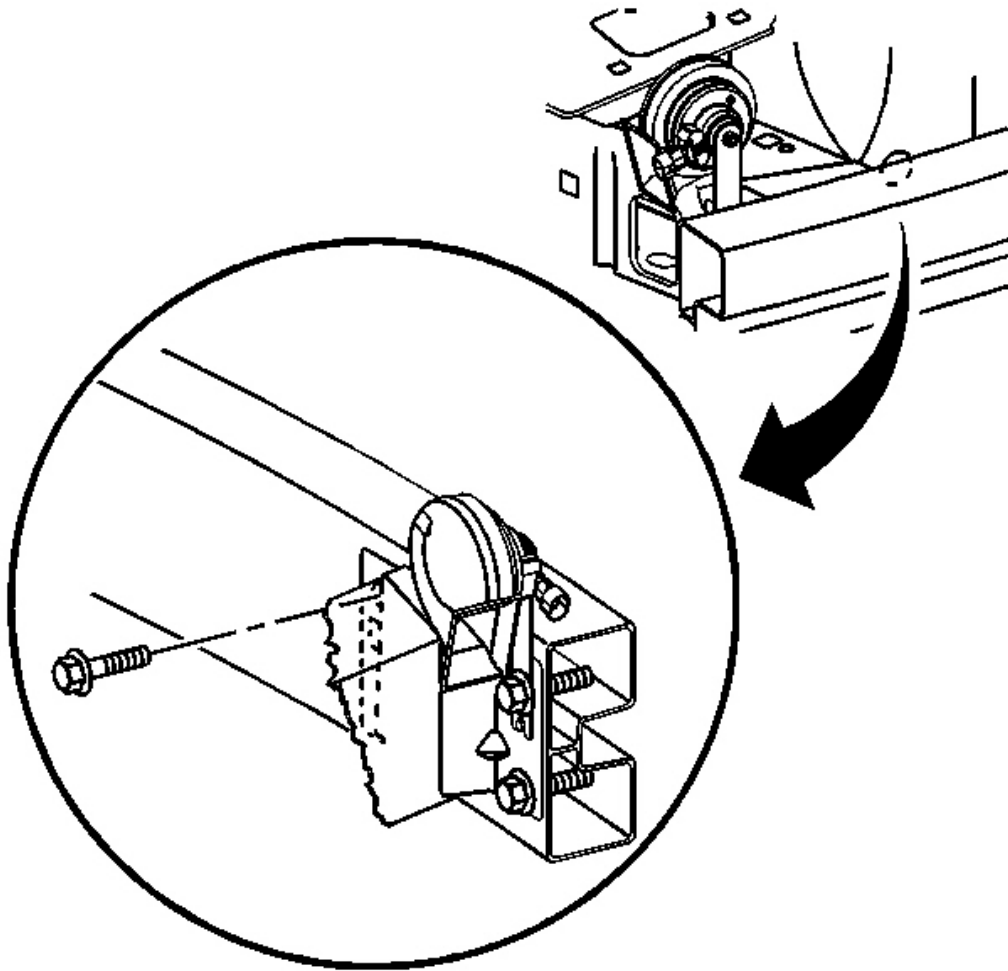


Fig. 43: Cross Sectional View Of Upper Inboard Impact Bolt
Courtesy of GENERAL MOTORS CORP.

3. Through the access hole in the radiator support, install the bolt to secure the impact bar to the front bumper.

Tighten: Tighten the bolt to 50 N.m (37 lb ft).

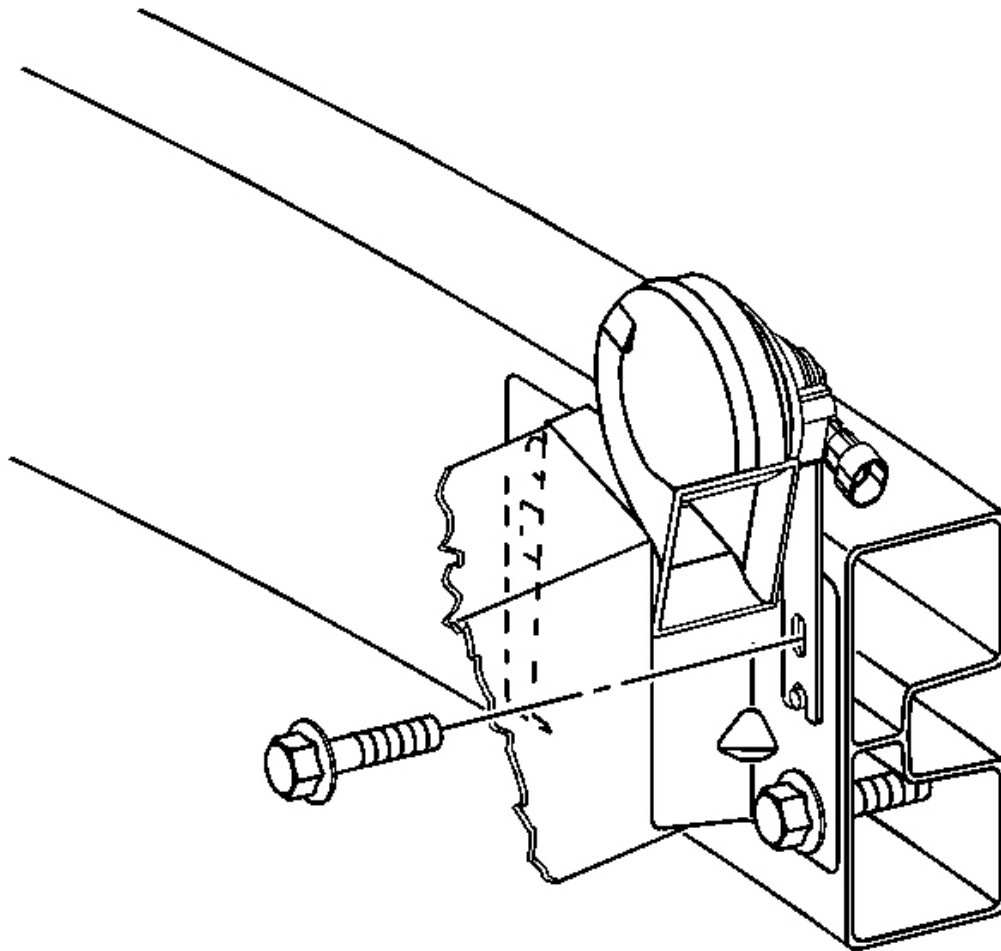


Fig. 44: Locating Horns Mounting Bolts
Courtesy of GENERAL MOTORS CORP.

4. Install the horn to the impact bar.
5. Install the impact bar bolt to the horn.

Tighten: Tighten the bolt to 50 N.m (37 lb ft).

6. Connect the electrical connector to the horn.
7. Install the energy absorber. Refer to **Energy Absorber Replacement - Front (Aztek)** or **Energy Absorber Replacement - Front (Rendezvous)** .
8. Install the front bumper fascia. Refer to **Fascia Replacement - Front Bumper - Upper (Aztek)** or **Fascia Replacement - Front Bumper - Upper (Rendezvous)** .

ENERGY ABSORBER REPLACEMENT - FRONT (AZTEK)

Tools Required

J 38778 Door Trim Pad and Garnish Clip Remover

Removal Procedure

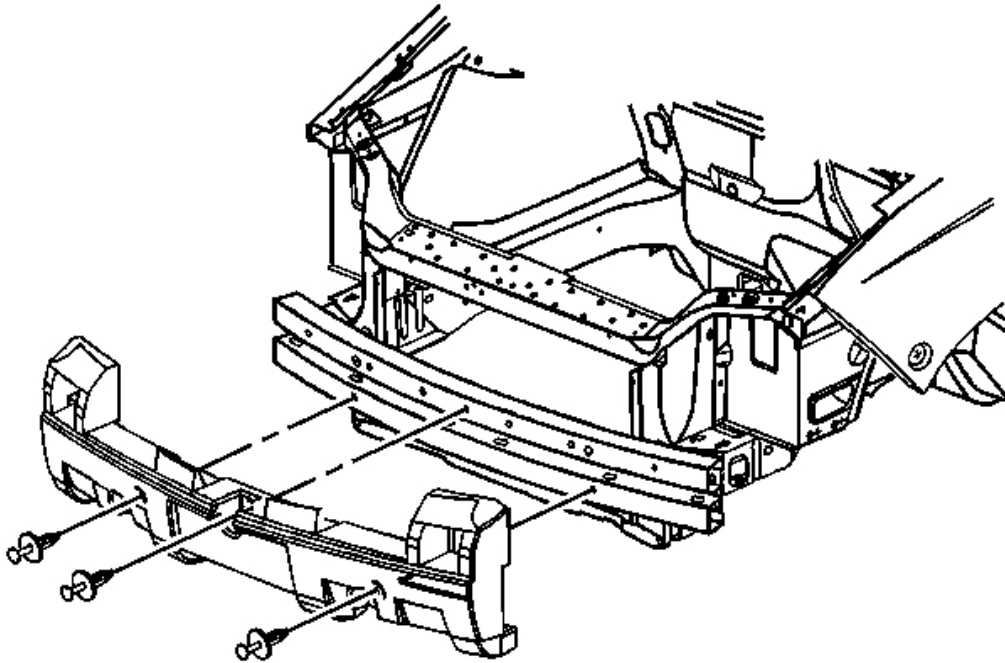


Fig. 45: View Of Front Bumper Energy Absorber Push-In Retainers (Aztek)
Courtesy of GENERAL MOTORS CORP.

1. Remove the front bumper fascia. Refer to **Fascia Replacement - Front Bumper - Upper (Aztek)** or **Fascia Replacement - Front Bumper - Upper (Rendezvous)** .
2. Use **J 38778** to remove the push-in retainers from the front bumper energy absorber.

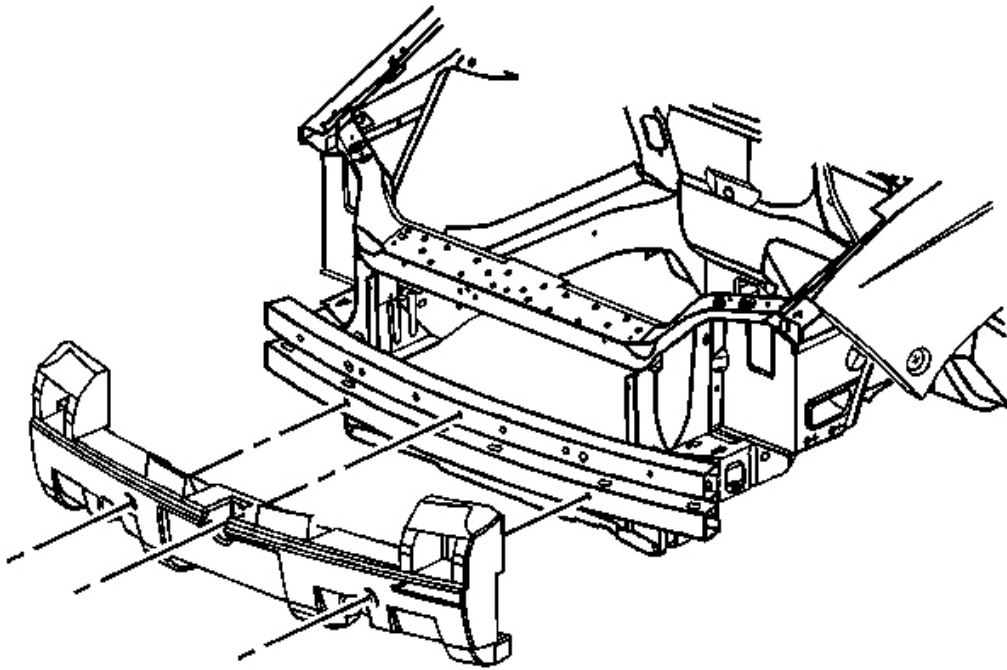


Fig. 46: Identifying Front Bumper Energy Absorber (Aztek)
Courtesy of GENERAL MOTORS CORP.

3. Remove the energy absorber from the front bumper impact bar.

Installation Procedure

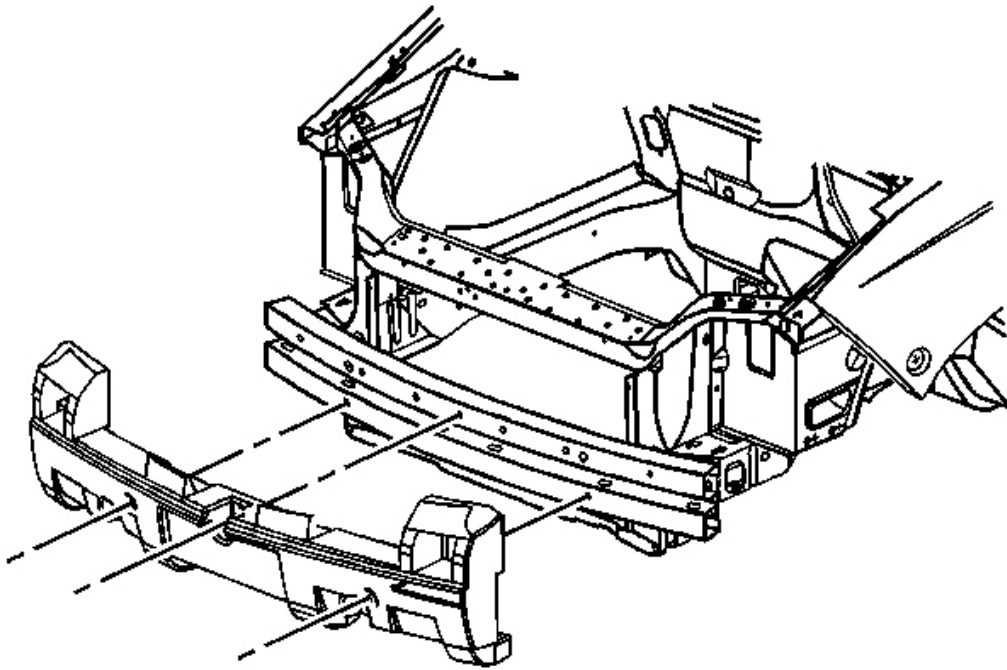


Fig. 47: Identifying Front Bumper Energy Absorber (Aztek)
Courtesy of GENERAL MOTORS CORP.

1. Position the energy absorber to the front bumper impact bar.

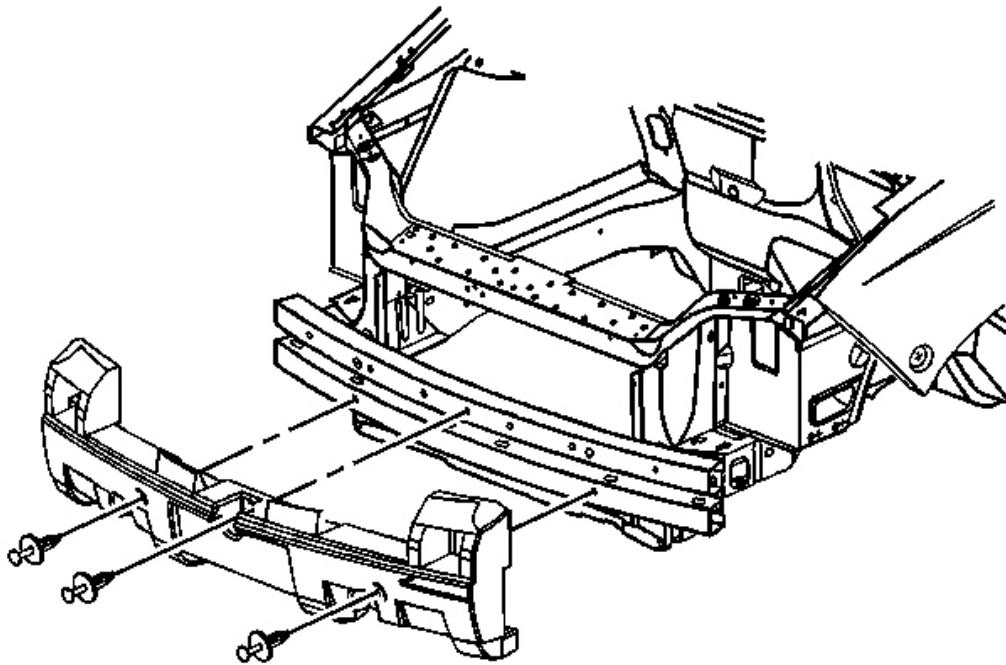


Fig. 48: View Of Front Bumper Energy Absorber Push-In Retainers (Aztek)
Courtesy of GENERAL MOTORS CORP.

2. Starting with the center hole, install the push-in retainers to the front bumper energy absorber.
3. Install the front bumper fascia. Refer to **Fascia Replacement - Front Bumper - Upper (Aztek)** or **Fascia Replacement - Front Bumper - Upper (Rendezvous)** .

ENERGY ABSORBER REPLACEMENT - FRONT (RENDEZVOUS)

Tools Required

J 38778 Door Trim Pad and Garnish Clip Remover

Removal Procedure

**Thank you very much
for your reading.**

Please Click Here

**Then Get More
Information.**