

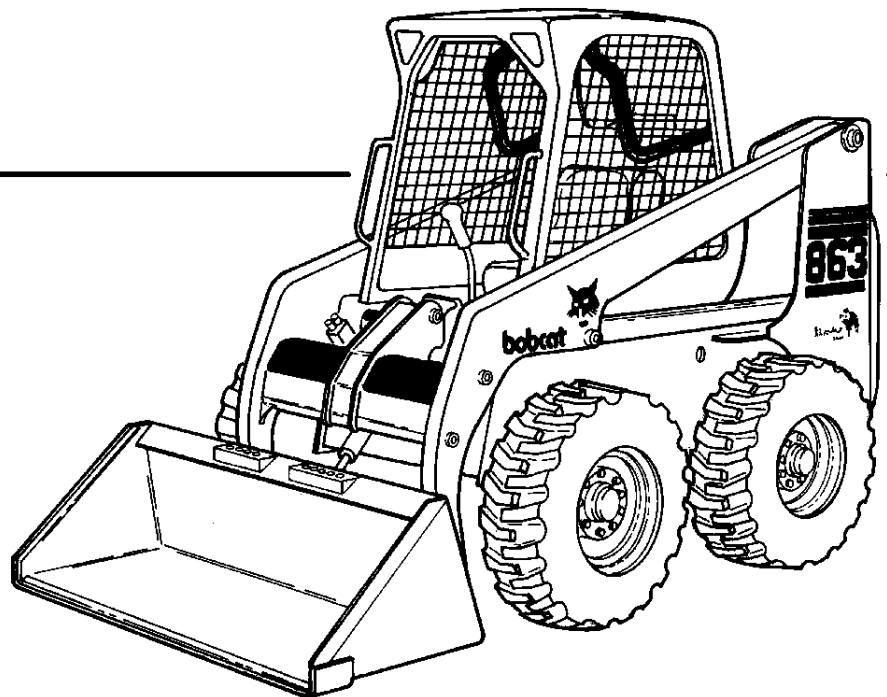
863



Bobcat®

**G-Series
Parts
Manual**

**S/N 5144 40001 & Above
S/N 5145 40001 & Above
S/N 5146 40001 & Above**



**EQUIPPED WITH
BOBCAT INTERLOCK
CONTROL SYSTEM (BICS™)**



6900954 (11-00) Revised (12-01)

Printed in U.S.A.

© Bobcat Company 2001

863 G-SERIES CONTENTS

MAIN FRAME	11-34
MAIN FRAME	11-12
OPERATOR CAB	13-16
SEAT & SEAT BAR	17-18
SEAT	19-20
REAR DOOR	21-22
* REAR DOOR	23-24
LIFT ARM & BOB-TACH	25-26
BOB-TACH	27-28
PANELS	29-30
FUEL SYSTEM	31-34
DRIVE SYSTEM	35-44
DRIVE TRAIN	35-36
MOTOR CARRIER	37-38
DISC BRAKE	39-40
* DISC BRAKE	41-42
AXLE	43-44
HYDRAULIC SYSTEM	45-90
HYDRAULIC CIRCUITRY	45-50
* HYDRAULIC CIRCUITRY	51-58
MANUAL LIFT RELEASE SYSTEM	59-60
AUXILIARY HYDRAULICS	61-64
TILT CYLINDER	65-66
LIFT CYLINDER	67-68
MANUAL LIFT RELEASE VALVE	69-70
CONTROL PEDALS	71-72
HYDRAULIC CONTROL VALVE	73-82
* HYDRAULIC CONTROL VALVE	83-86
BICS CONTROL VALVE	87-88
BUCKET POSITIONING VALVE	89-90
HIGH HORSEPOWER HYDRAULICS	91-102
HIGH HORSEPOWER HYDRAULICS	91-98
* HIGH HORSEPOWER HYDRAULICS	99-100
HIGH HORSEPOWER HYDRAULICS (CONTROL VALVE)	101-102
HYDROSTATIC SYSTEM	103-158
HYDROSTATIC CIRCUITRY	103-116
* HYDROSTATIC CIRCUITRY	117-118
HYDROSTATIC CIRCUITRY (2-SPEED OPTION)	119-120
HAND CONTROLS	121-124
HYDROSTATIC MOTOR	125-126
HYDROSTATIC MOTOR & BRAKE	127-130
HYDROSTAIC PUMP	131-146
GEAR PUMP	147-148
* GEAR PUMP	149-150
2-SPEED VALVE	151-152
* 2-SPEED VALVE	153-154
HYDROSTATIC OIL FILTER	155-158
ELECTRICAL SYSTEM	159-192
ELECTRICAL CONTROLS	159-170
* CONTROLS ELECTRICAL	171-178
CAB ELECTRICAL CIRCUITRY	179-182
ENGINE ELECTRICAL	183-186
ALTERNATOR	187-190
STARTER	191-192

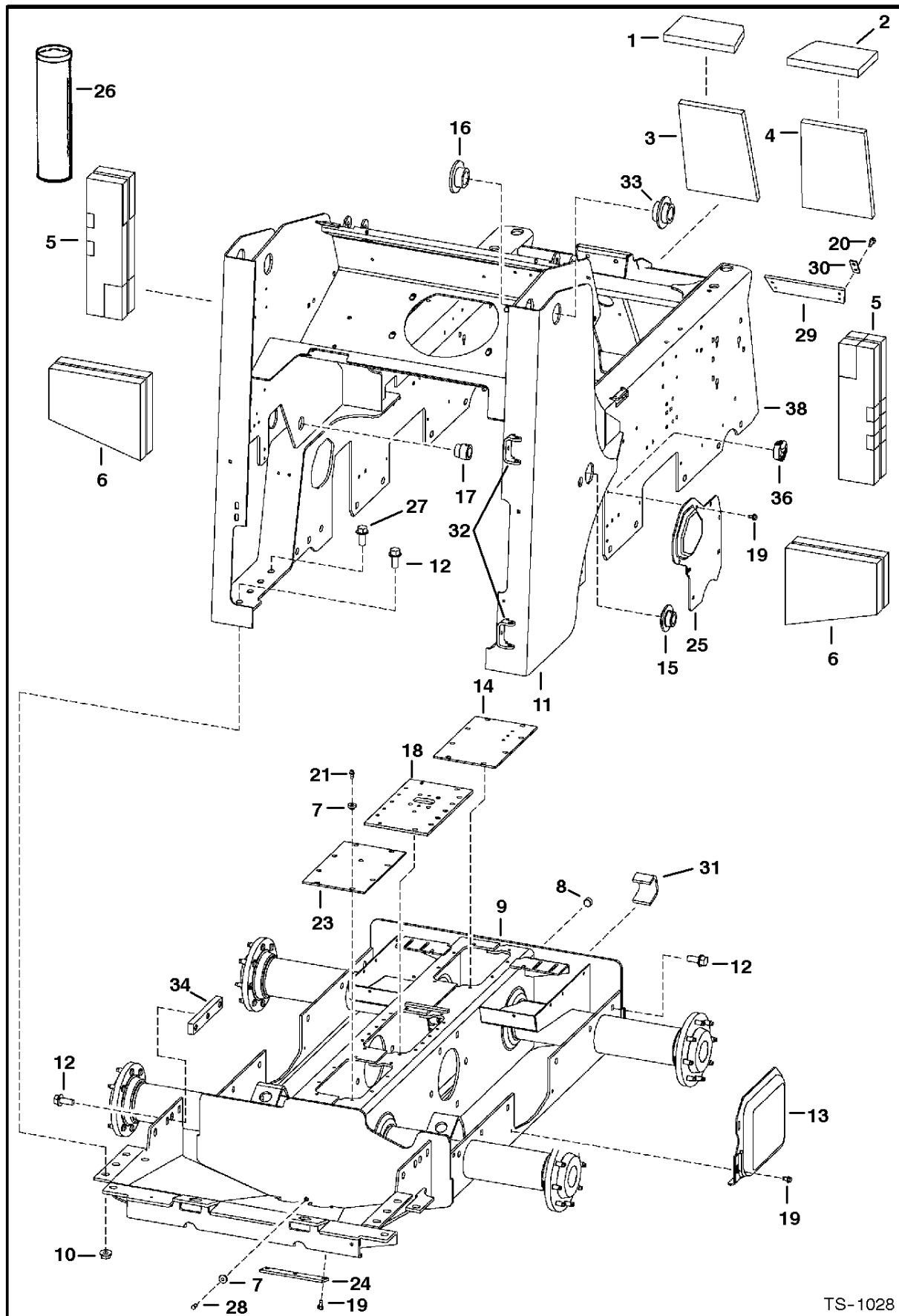
863 G-SERIES CONTENTS (Cont'd)

POWER UNIT	193-234
COOLING SYSTEM	193-198
ENGINE & ATTACHING PARTS	199-206
THROTTLE	207-208
COOLING FAN DRIVE ASSY.	209-210
ENGINE & GASKET KITS	211-212
MANIFOLDS	213-214
CYLINDER HEAD & COVER	215-216
CAMSHAFT	217-218
FRONT COVER	219-220
CRANKCASE & OIL PAN	221-224
PISTON & CRANKSHAFT	225-226
FUEL INJECTION SYSTEM	227-230
OIL PUMP	231-232
AIR CLEANER	233-234
ACCESSORIES & OPTIONS	238-405
ACCESS COVER	238-239
ACCESSORIES HARNESS	240-241
BACK-UP ALARM	242-243
BEACON	244-245
BLOCK HEATER	246-251
BOB-TACH LEVERS	252-253
BUCKET POSITIONING KIT	254-255
* BUCKET POSITIONING KIT	256-257
CAB DOOR	258-271
CAB ENCLOSURE	272-275
CAB WINDOWS	276-281
CLOSED ALTERNATOR	282-283
COUNTERWEIGHT KIT	284-285
DECALS	286-289
DELUXE CAB	290-293
ELECTRICAL CONTROLS KIT	294-299
EUROPEAN ACCESSORIES	300-301
* EUROPEAN ACCESSORIES	302-303
EUROPEAN ACCESSORIES (MASTER CYLINDER)	304-305
EUROPEAN ACCESSORIES (INSULATION & HYDRAULIC MUFFLER)	306-307
FIRE EXTINGUISHER	308-309
FLASHER LIGHTS	310-311
* FOOT CONTROL KIT	312-313
F.O.P.S. KIT	314-315
HAND CONTROL KIT	316-319
HEATER & A/C	320-345
HORN KIT	346-347
LIFT KIT	348-351
LIGHT KIT	352-353
POWER BOB-TACH KIT	354-355
* POWER BOB-TACH KIT	356-357
POWER BOB-TACH (CYLINDER)	358-359
* POWER BOB-TACH (CYLINDER)	360-361
POWER BOB-TACH (VALVE ASSEMBLY)	362-365
* POWER BOB-TACH (VALVE ASSEMBLY)	366-367
PURIFIER	368-369
REAR AUXILIARY HYDRAULICS KIT	370-373
REAR AUXILIARY VALVE	374-375
REAR DOOR LOCK	376-377

863 G-SERIES CONTENTS (Cont'd)

ACCESSORIES & OPTIONS (CONT'D)	238-405
REAR WIPER	378-379
SEAT	380-383
SEAT BELT	384-389
SEVEN PIN CONNECTOR KIT	390-391
SOUND OPTION	392-395
STROBE LIGHT	396-397
TIRES & RIMS	398-403
BULK ITEMS	404-405
NUMERICAL INDEX	406-463
NUMERICAL INDEX	406-463

MAIN FRAME

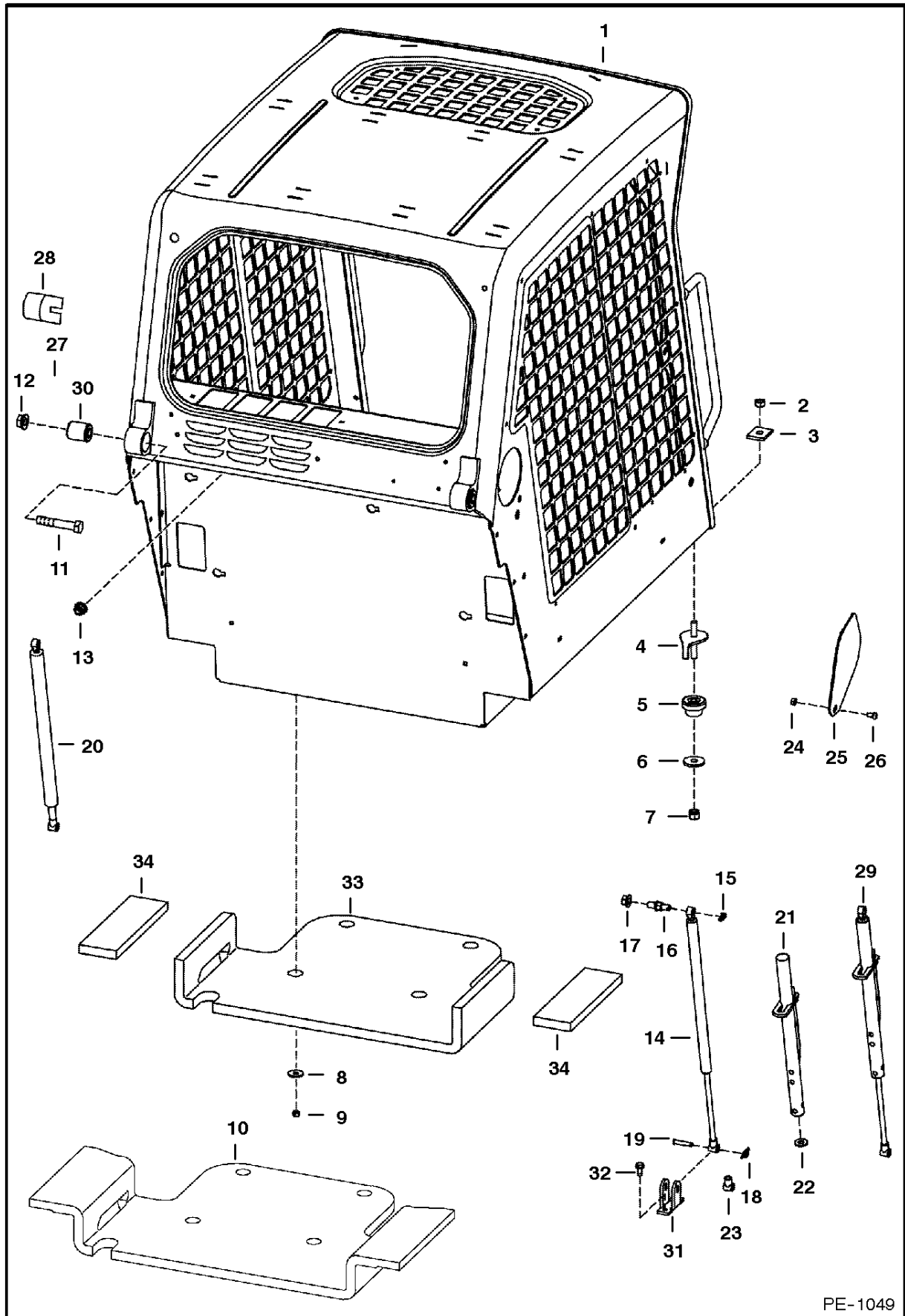


TS-1028

MAIN FRAME

Ref.N°	Part N°	Description	Remarks	Serial N°	Qty.
1	6703963	INSULATION	crossmember		1
2	6703964	INSULATION	crossmember		1
3	6703965	INSULATION	crossmember		1
4	6703969	INSULATION	crossmember		1
5	6703967	INSULATION	fender		2
6	6703968	INSULATION	transmission		2
7	6553411	BUSHING			1
8	6731121	PLUG	Was 11F-12 [A]		1
9	6719225	CHAINCASE	(See Page DRIVE TRAIN(6) - Was 6709771 [B]		1
10	53D-12	NUT	Was 83D-12 [B]		18
11	NAP	MAIN FRAME	Order 6725574, also Order 6726451 cover, 6726452 cover, Ref. MAIN FRAME(19) (8) & Ref. MAIN FRAME(27) (4) Was 6718303 [B]	& Bel.	1
11	6725574	MAIN FRAME		& Abv.	1
12	31C-1228	BOLT			20
13	6719168	COVER	Was 6719201 [A]		2
14		COVER	See Page DISC BRAKE(1) & * DISC BRAKE(2)		1
15	6705047	BUSHING	weld on		2
16	6718544	BUSHING	weld on - Was 6710744 [B]		2
17	6713823	BUSHING	weld on		2
18		COVER	See Page DISC BRAKE(1) & * DISC BRAKE(2)		1
19	84G-3712	BOLT			27
20	84G-3716	BOLT			8
21	6670627	BREATHER			1
22	6719333	INSULATION	blower housing		1
23		COVER	See Page DISC BRAKE(1) & * DISC BRAKE(2)		1
24	6700182	COVER			1
25	6719086	COVER	pump - right - Was 6717110 [B]	& Bel.	1
25	6726451	COVER	pump - right	& Abv.	1
25	6719085	COVER	pump - left - Was 6717111 [B]	& Bel.	1
25	6726452	COVER	pump - left	& Abv.	1
26	6633583	SEALANT	chaincase cover		x
27	6730078	COVER	cylinder hole	& Abv.	4
28	6599645	PLUG			1
29	6702164	SPACER	flexible		2
30	6579106	SHIM			4
31	6706485	HOOK	tie down - weldAon		2
32	6708987	BRACKET	weldAon		2
33	6718545	BUSHING	weldAon - Was 6710745 [B]		2
34	6706867	TUBELINE	Was 6706857 [B,D]		2
35	6718486	PLUG			2
36	6718796	PLUG	front crossmember & right fender - Was 6660646 [A]		2
37	6719332	INSULATION	blower housing		1
38	6731939	BRACE			2

OPERATOR CAB

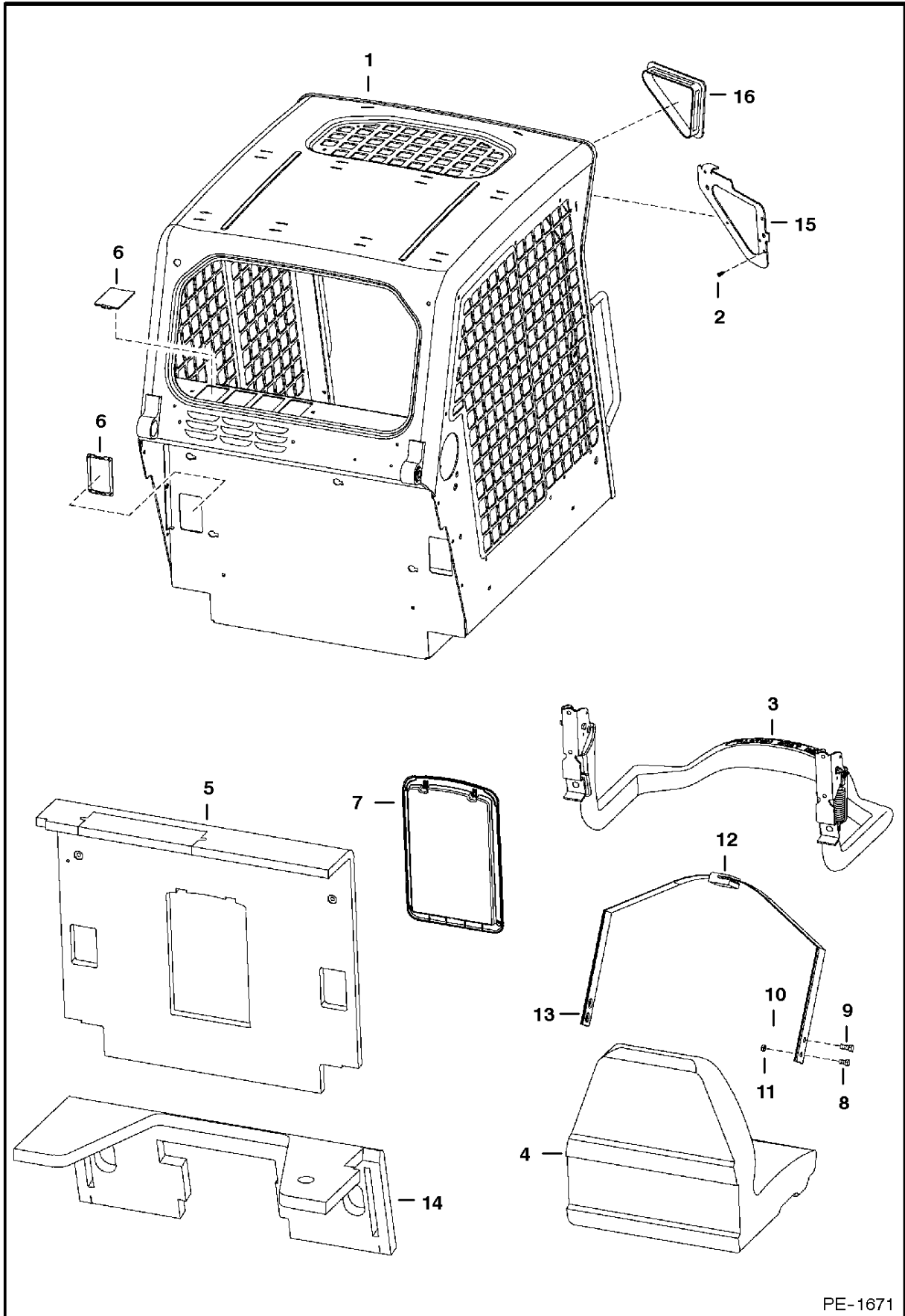


PE-1049

OPERATOR CAB

Ref.N°	Part N°	Description	Remarks	Serial N°	Qty.
1	6719672	OPERATOR CAB	does not include cab decals		1
2	59D-8	NUT			2
3	6553709	WASHER	rectangular		2
4	6702971	BOLT			2
5	6560633	MOUNT			2
6	6515817	WASHER			2
7	85D-8	NUT			2
8	619021	WASHER			4
9	59D-5	NUT			4
10	NAP	INSULATION	seat pan - Order 6729013 insulation & 6729012 (2) insulation - Was 6706982 [A]		1
11	17C-1056	BOLT			2
12	53D-10	NUT			2
13	53D-6	NUT			4
14	6675135	GAS SPRING	R.H.		1
15	6675140	SNAP RING			2
16	6719064	MOUNT	Was 6719005 [B,D]		2
17	83D-8	NUT			2
18	6631418	PIN	ring		2
19	6567743	PIN			2
20	6675134	GAS SPRING	L.H.		1
20	6675136	GAS SPRING	L.H. - for a cab W/ enclosure		1
21	6708189	TUBE	stop - R.H.		1
22	6701174	WASHER			1
23	6675257	ROD END			1
24	95D-5	NUT			2
25	6718784	COVER			2
26	25G-512	BOLT	Was 25G-510 [B]		2
27	6675033	INSERT			1
28	6579613	STOP			2
29	NAP	GAS SPRING	R.H. - W/ latch - Order Ref. OPERATOR CAB(14) & OPERATOR CAB(21)-OPERATOR CAB(23) - Was 6719072 [A]		1
30	6562602	BUSHING			2
31	6706349	MOUNT	gas spring		2
32	84G-3112	BOLT			4
33	6729013	INSULATION	seat pan		1
34	6729012	INSULATION	seat pan		2

OPERATOR CAB

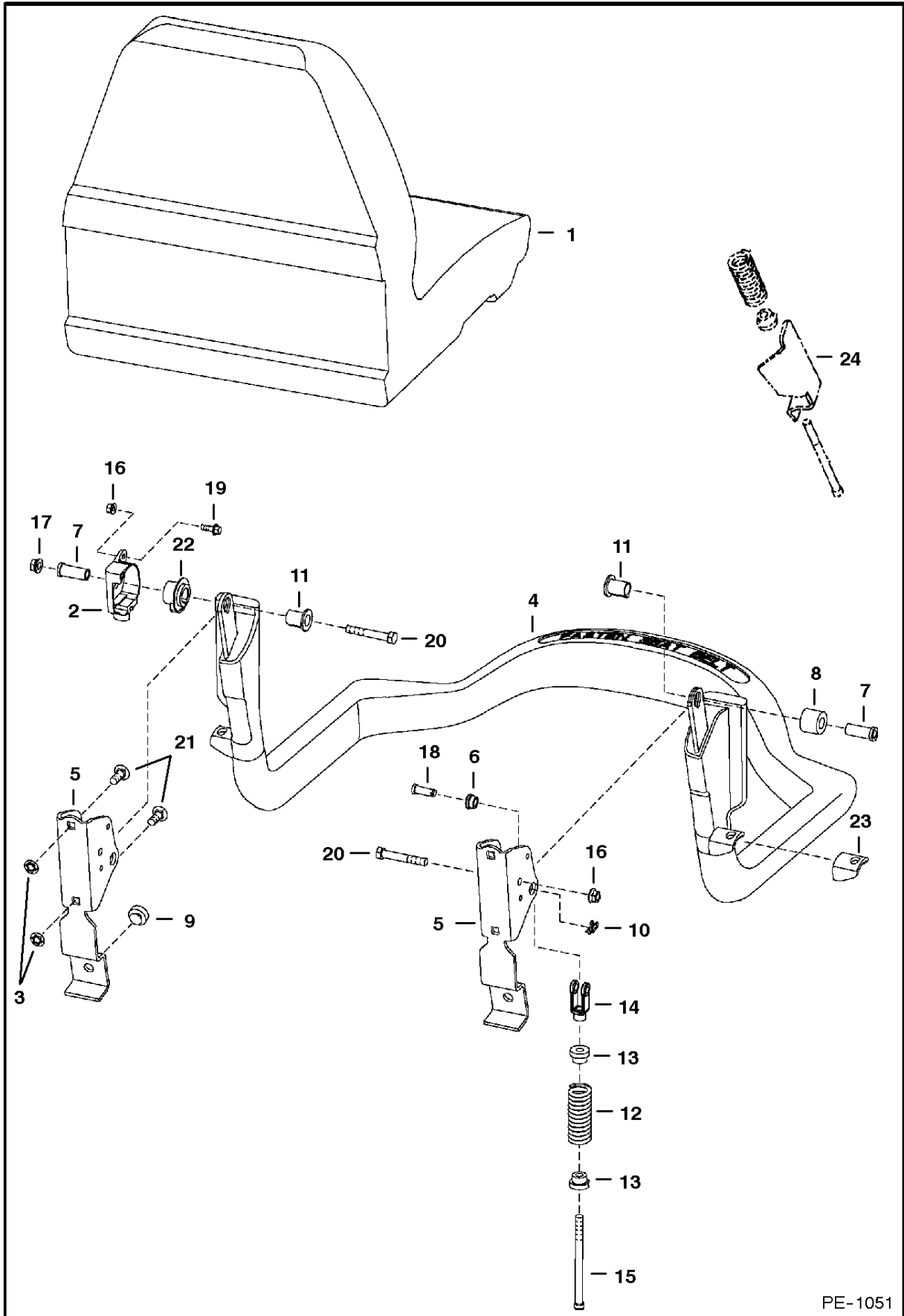


PE-1671

OPERATOR CAB

Ref.N°	Part N°	Description	Remarks	Serial N°	Qty.
1	6719672	OPERATOR CAB	does not include cab decals		1
2	6675033	INSERT			6
3		SEAT BAR	See Page SEAT & SEAT BAR(2)		1
4		SEAT	See Page SEAT & SEAT BAR(2)		1
5	6717516	INSULATION			1
6	6718101	COVER			6
7	6719503	CONTAINER	manuals - Was 6718508 [A]		1
7	6675524	CLIP			2
7	6725301	COVER			1
7	6725303	FRAME			1
8	17C-612	BOLT			2
9	17C-716	BOLT			2
10	85D-7	NUT			2
11	85D-6	NUT			2
12	NAP	SEAT BELT	Order 6675074 seat belt & Ref. OPERATOR CAB(13) (2) (6725373 spring plate) - Was 6667875 [A]		1
12	NAP	SEAT BELT	W/spring plates - Order 6675074 seat belt & Ref. OPERATOR CAB(13) (2) (6725373 spring plate) - Was 6725403 [A]		1
12	6675074	SEAT BELT	W/O spring plates		1
13	NAP	GUIDE	Order 6711908 spring plate, 6565355 guide & 6630207 rivet (2) - Was 6711907 [A]		2
13	6711908	SPRING PLATE	use W/Ref. OPERATOR CAB(12) (NAP/ 6667875 seat belt)		2
13	6725373	SPRING PLATE	use W/Ref. OPERATOR CAB(12) (6675074 seat belt)		2
14	6727299	INSULATION	Was 6719406 [A]		1
15	NSS	FRAME	L.H. - weldAon		1
15	NSS	FRAME	R.H. - weldAon		1
16	6674403	COVER	no lights		2

SEAT & SEAT BAR

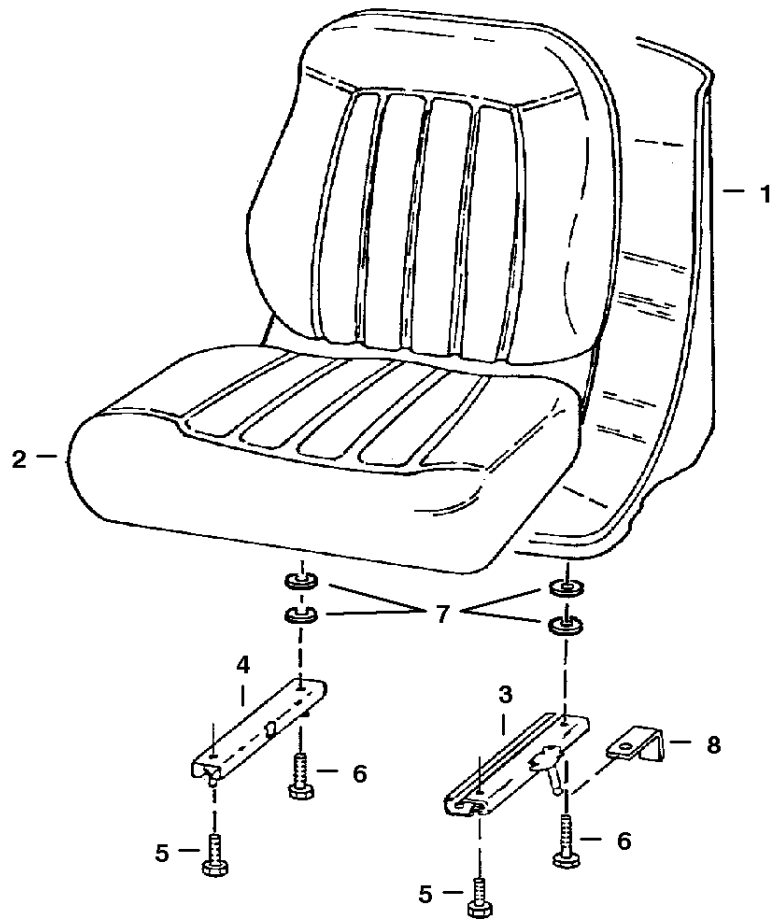


PE-1051

SEAT & SEAT BAR

Ref.N°	Part N°	Description	Remarks	Serial N°	Qty.
1		SEAT	See Page SEAT(1)		1
2	6674406	SENSOR			1
3	6674894	NUT			4
4	6715860	SEAT BAR			1
5	6715863	BRACKET			1
6	6715864	BUSHING			2
7	6715865	BUSHING			2
8	6715866	BUSHING			1
9	6519178	BUMPER			2
10	6631418	PIN	ring		2
11	6664882	BUSHING	keyed		2
12	6701535	SPRING			2
13	6710659	BUSHING			2
14	6713589	CLEVIS			2
15	6713887	BOLT			2
16	83D-4	NUT			1
17	53D-6	NUT			2
18	4F-6106	PIN			2
19	35C-412	BOLT			1
20	17C-640	BOLT			2
21	10C-616	BOLT			4
22	6674405	BUSHING			1
23	NAP	MOUNT	Order Ref. SEAT & SEAT BAR(4)	S/N & Abv.	2
24	NAP	MOUNT	Order Ref. SEAT & SEAT BAR(4)	S/N & Bel.	2

SEAT (Michigan)

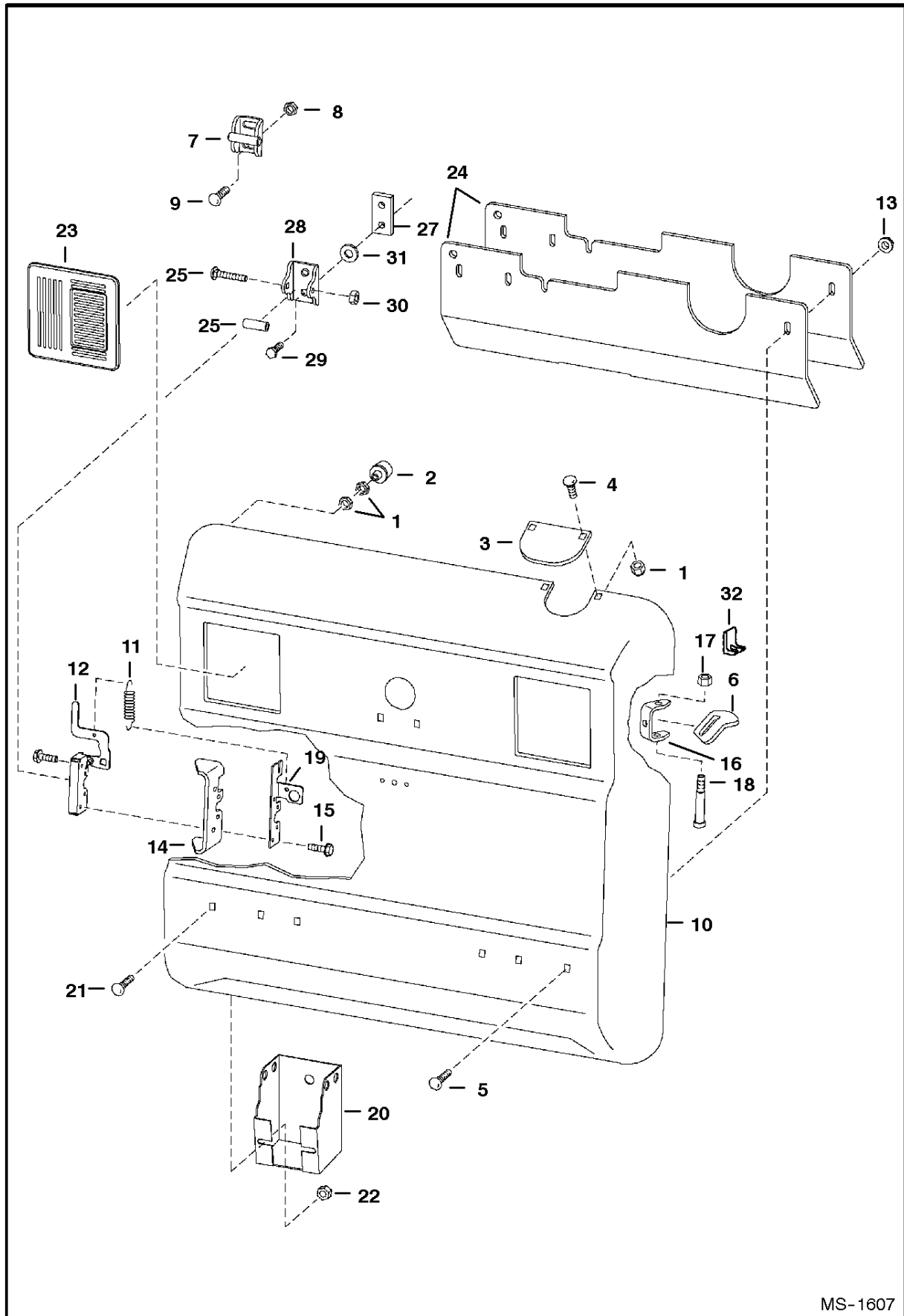


B-14720

SEAT

Ref.N°	Part N°	Description	Remarks	Serial N°	Qty.
1	6669135	SEAT	W/Ref. SEAT(2)-SEAT(7)		1
2	6670160	CUSHION	W/ edging, clip & (2) grommets		1
2	NSS	EDGING			1
2	NSS	CLIP			1
3	6674013	TRACK	L.H. - W/ latch		1
4	6669089	TRACK	R.H. - W/O latch		1
5	25G-512	BOLT			2
6	25G-520	BOLT			2
7	6672715	SPACER	Was 7000010 [A]		4
8	6668953	BRACKET			2

REAR DOOR
(S/N 5144 40001-49208, 5145 40001-41068, 5146 40001-41166)

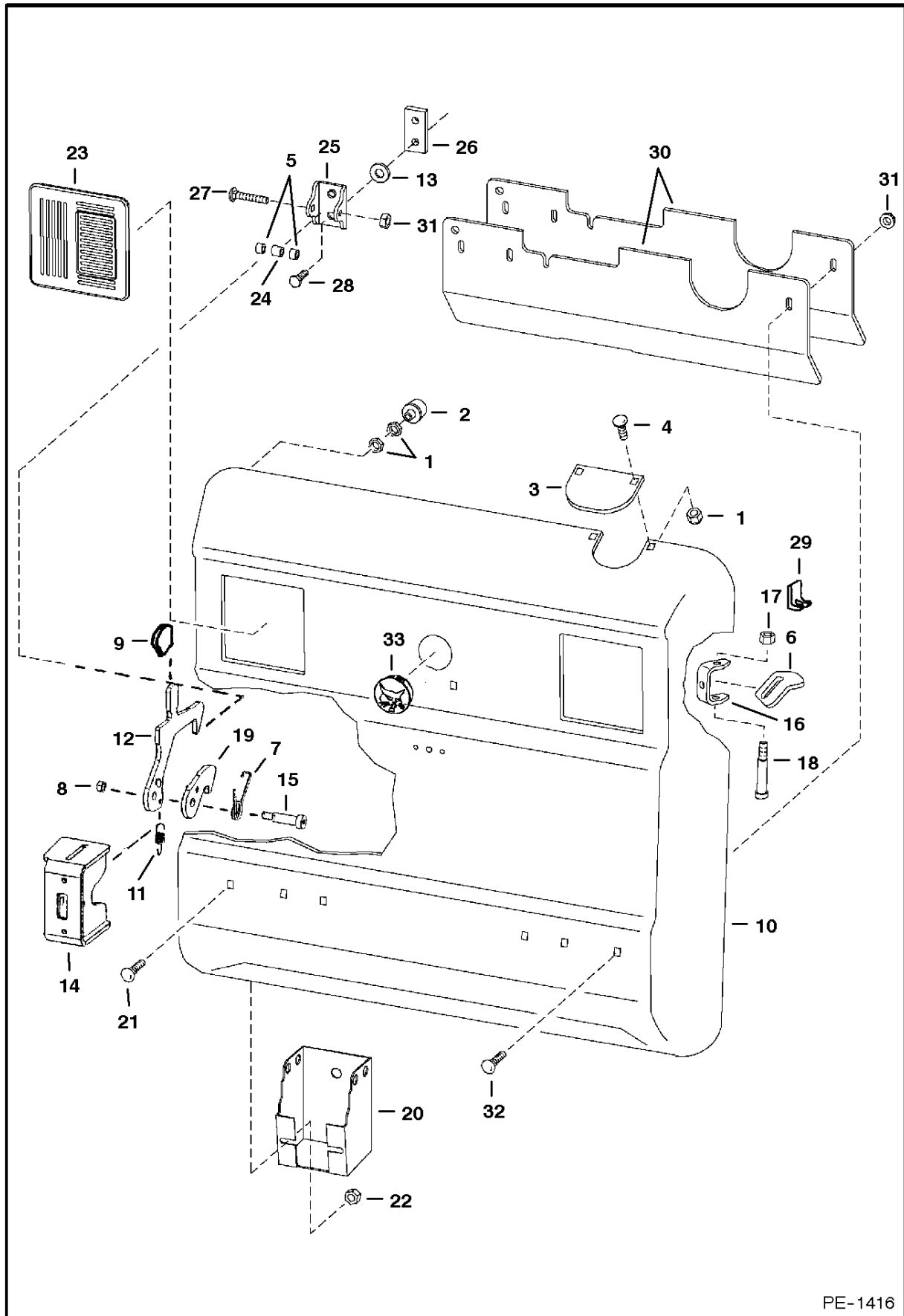


MS-1607

REAR DOOR

Ref.N°	Part N°	Description	Remarks	Serial N°	Qty.
1	61D-5	NUT			6
2	6655399	BUMPER	Was 6714454 [B]		2
3	6714509	COVER	exhaust		1
4	37C-512	BOLT			2
5	37C-628	BOLT			2
6	6714126	DOOR STOP			1
7	6715157	STRIKER ASSY.			1
8	83D-8	NUT			2
9	37C-820	BOLT	carriage		2
9	25G-820	BOLT	hex socket		2
10	6711524	REAR DOOR			1
11	6714210	SPRING			1
12	6670867	LATCH			1
13	57D-6	NUT			2
14	6711527	LATCH PLATE	weldAon		1
15	31C-420	BOLT			4
16	6711526	HINGE	weldAon		2
17	59D-6	NUT			2
18	38C-856	BOLT			2
19	6711664	GUIDE	latch		1
20	6715318	TOOL HOLDER			1
21	37C-612	BOLT			2
22	55D-6	NUT			2
23	6670287	COVER			2
24	6725256	WEIGHT	Was 6714053 [A]		2
25	6719550	TUBE	striker		1
26	6719524	STRIKER			1
27	6719525	BAR	threaded striker		1
28	37C-644	BOLT	carriage		1
29	17C-820	BOLT			2
30	61D-6	NUT			2
31	6675273	WASHER	lock		2
32	6719766	STOP			1

*** REAR DOOR**
(S/N 5144 49209, 5145 41069, 5146 41167 & Above)

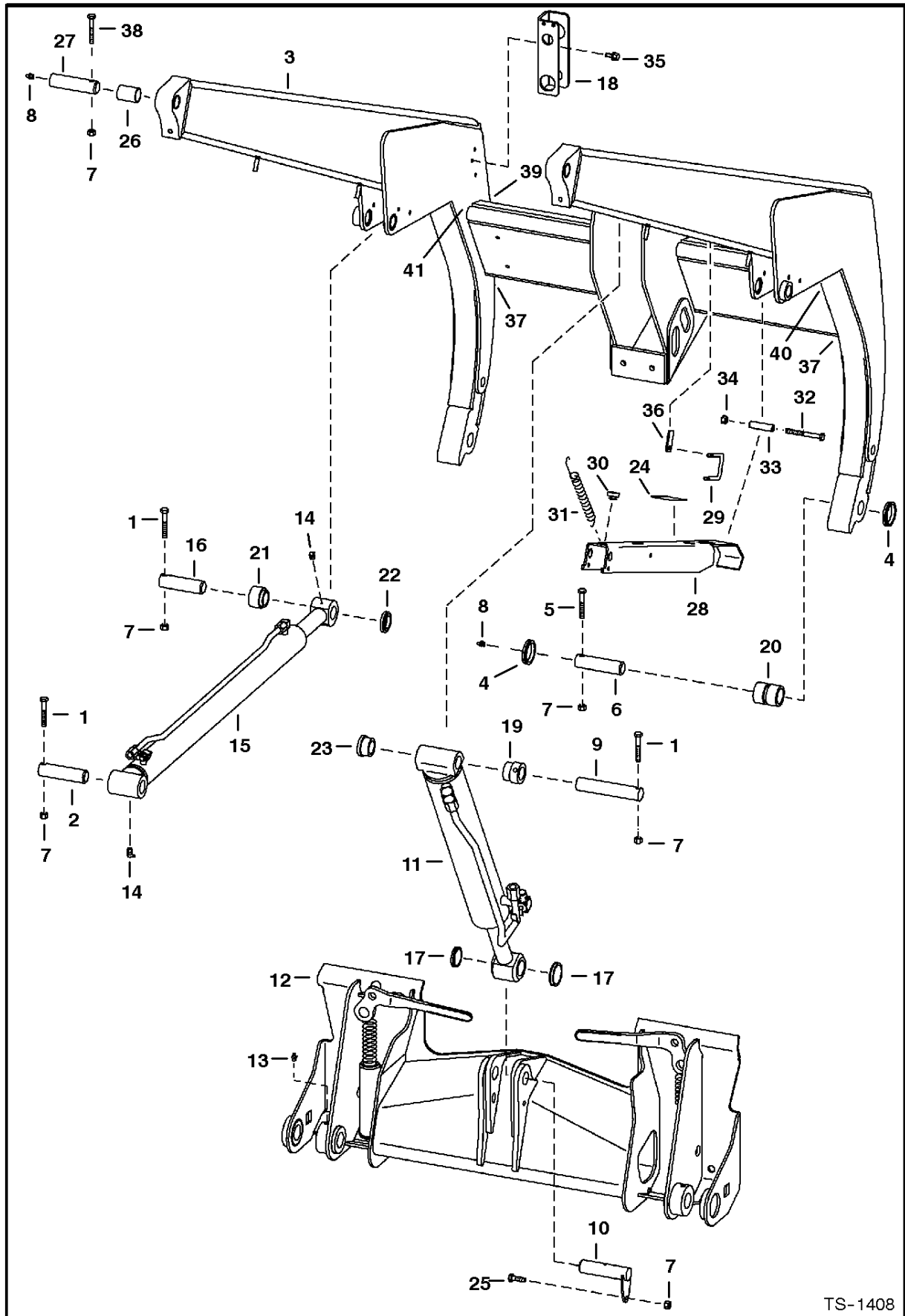


PE-1416

* REAR DOOR

Ref.N°	Part N°	Description	Remarks	Serial N°	Qty.
1	61D-5	NUT			6
2	6655399	BUMPER			2
3	6714509	COVER	exhaust		1
4	37C-512	BOLT			2
5	6809726	ROLLER			2
6	6714126	DOOR STOP			1
7	6810132	SPRING			1
8	85D-6	NUT			1
9	6564452	GRIP			1
10	6729991	REAR DOOR			1
11	6810141	SPRING			1
12	6729685	LATCH			1
13	6675273	WASHER	lock		2
14	6729939	LATCH PLATE	weldAon		1
15	38C-824	SCREW			1
16	6711526	HINGE	weldAon		2
17	59D-6	NUT			3
18	38C-856	BOLT			2
19	6811910	LATCH			1
20	6715318	TOOL HOLDER	Europe		1
21	37C-612	BOLT			2
22	55D-6	NUT			2
23	6670287	COVER			2
24	6809734	BUSHING			1
25	6809727	CHANNEL			1
26	6719525	BAR	threaded striker		1
27	38C-840	BOLT	carriage		1
28	17C-820	BOLT			2
29	6719766	STOP			1
30	6725256	WEIGHT			2
31	57D-6	NUT			2
32	37C-628	BOLT			2
33	6718796	PLUG	backAup alarm		1

LIFT ARM & BOB-TACH

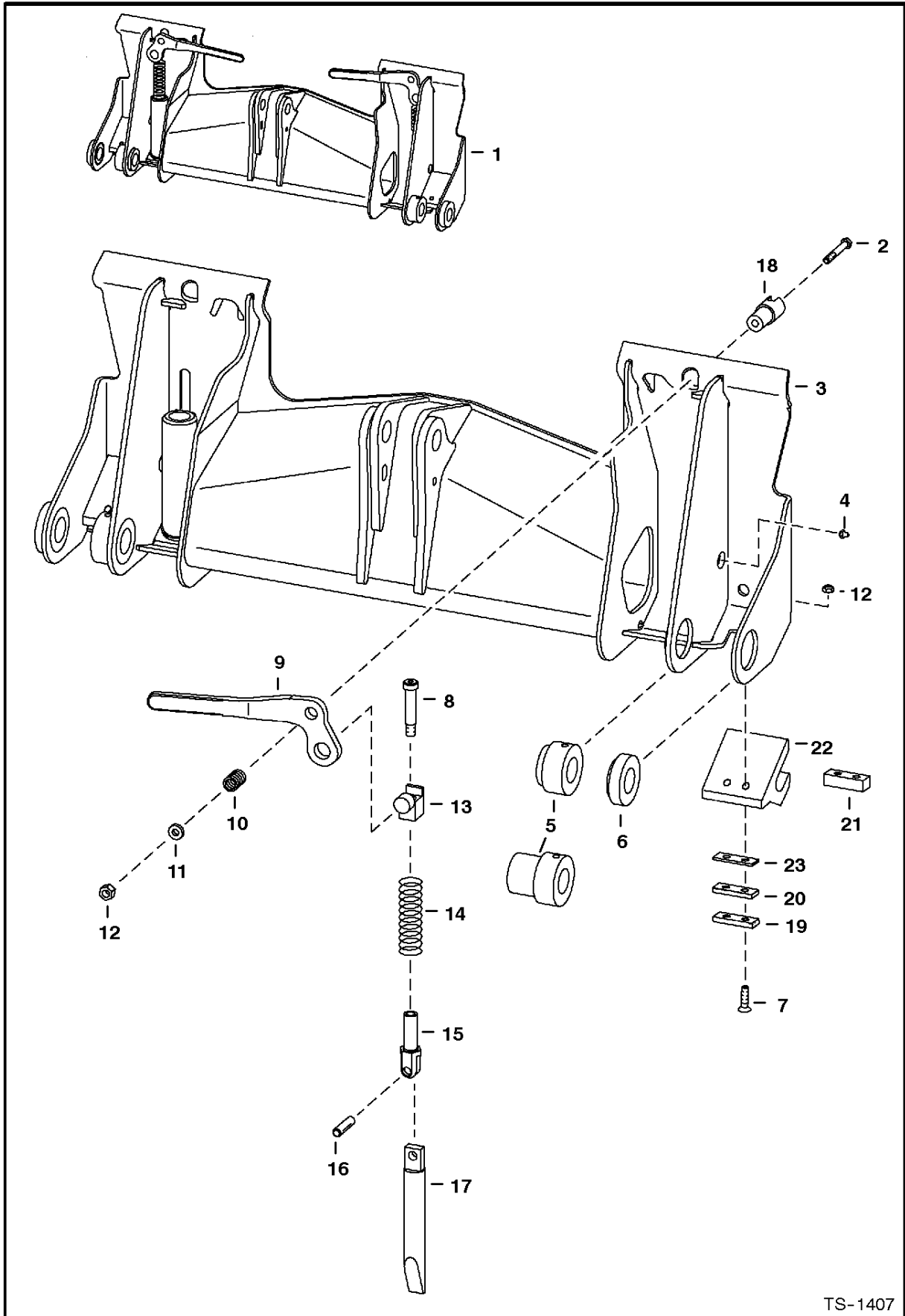


TS-1408

LIFT ARM & BOB-TACH

Ref.N°	Part N°	Description	Remarks	Serial N°	Qty.
1	17C-640	BOLT			5
2	6702935	PIN			2
3	6719265	LIFT ARM	Was 6709984 [B]		1
4	6631067	SEAL			4
5	17C-656	BOLT			2
6	6711334	PIN			2
7	85D-6	NUT			10
8	10H-25	GREASE ZERK			4
9	6704288	PIN			1
10	6716601	PIN	W/O grease zerk hole		1
11		CYLINDER	tilt - See Page TILT CYLINDER(3)		1
12		BOB-TACH	See Page BOB-TACH(3)		1
13	743332	GREASE ZERK			2
14	11H-15	GREASE ZERK			4
15		CYLINDER	lift - See Page LIFT CYLINDER(1)		2
16	6547593	PIN			2
17	225855	SEAL			2
18	6714665	MOUNT	See Page AUXILIARY HYDRAULICS(1)		1
19	6704287	BUSHING	weldAon		1
20	6708517	BUSHING	wear		2
21	6555987	BUSHING	weldAon		2
22	6558991	BUSHING	weldAon		2
23	6703363	BUSHING	weldAon		1
24	6704436	PAD	rubber - self adhesive		1
25	17C-620	BOLT			1
26	6718538	BUSHING	Was 6703448 [B]		2
27	6725597	PIN	Was 6718539 [B]		2
28	6710166	LIFT ARM STOP	assy		1
29	6714810	PIN	retainer		1
30	6519178	BUMPER			3
31	6579072	SPRING			1
32	17C-660	BOLT			1
33	6700533	SPACER			1
34	61D-6	NUT			1
35	84G-3716	BOLT	Was 84G-3712 [B]		2
36	6705091	TAB	weldAon		1
37	6719304	GUSSET	weldAon		2
38	17C-652	BOLT			2
39	6719215	BRACE	L.H. - weldAon		1
40	6719216	BRACE	R.H. - weldAon		1
41	6719231	PLATE	boom - weldAon		2

BOB-TACH



TS-1407

Complete manual From
aservicemanualpdf.com

**Thank you very much
for your reading.**

Please Click Here

**Then Get More
Information.**