

873

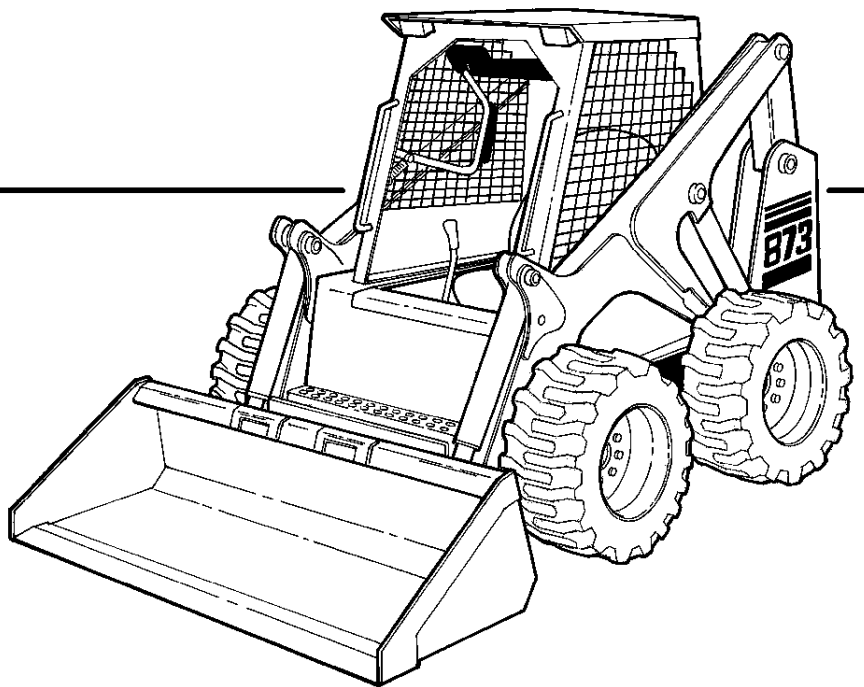


Bobcat®

Parts Manual

S/N 5141 11001-39999

S/N 5142 11001-39999



873 ALPHABETICAL INDEX

ADHESIVE	532	LIFT ARM	32
AIR CLEANER	302, 306, 352	LIGHT	262
ALTERNATOR	266, 272, 286, 314	LIGHTS, FLASHER	415
AUXILIARY HYDRAULICS ...	104, 420	LOCK, REAR DOOR	495, 496
AXLE	51	LUBRICANT	532
BACK UP ALARM	357	MAIN FRAME	12
BATTERY	268, 274	MANIFOLD	326
BEACON	361	MODULE, AUX. CONTROLS .	278, 280
BELT, COOLING FAN	292	MOTOR, HYDRO.	168-188
BELT, MAIN DRIVE	314	MOUNT, ENGINE	314
BELT, PUMP DRIVE	312	MOUNT, HYDRO. PUMP	316
BELT, TIMING	334	MUFFLER	302, 306
BLACK GOLD	532	OIL COOLER	192
BLOCK HEATER	362	OIL PAN	340
BLOCK, ENG.	340	OIL	532
BOB-TACH	36	PAINT	532
BOOT, RUBBER	38	PANEL, INSTRUMENT	258, 262
BUCKET POS. KIT	366	PEDALS, CONTROL	132
CAB ENCLOSURE	372	PISTON	346
CAB	16	POLISH	532
CABLE, BATTERY	266, 272	PUMP, GEAR	251
CAMSHAFT	332	PUMP, HYDRO.	234, 238, 242, 246
CAP, FUEL	40	PUMP, OIL	351
CAP, HYD. OIL	168, 172	PURIFIER	477
CHAINCASE	12	QUICK COUPLERS	106, 420-432
COOLING FAN DRIVE ASSY.	320	RIM	527
CRANKSHAFT	346	SEALANT	532
CYLINDER HEAD	328	SEAT BELT	18
CYLINDER, LIFT	127	SEAT	18, 522, 524, 526
CYLINDER, TILT	54-90, 112-126	SENDER, FUEL	40, 266, 272
DECALS	388	SENDER, HYDRO. PRESS. ...	266, 272
DIPSTICK, ENG. OIL	340	SENSOR, RPM	274
DISC BRAKE	48	SHOCK CONTROLS	218
DISPLAY, LCD	262	SHOCK, CONTROLS	214
DOOR, CAB	374	SHORT BLOCK, NAP	322
DOOR, REAR	28, 30	SOLENOID	268, 274
DRIVE MOUNT ASSY.	45	SPROCKET, AXLE	44, 51, 52
ENGINE	312, 314, 322	STARTER	266, 272, 288, 290
FAN	292	STOP, LIFT ARM	34
FILTER, AIR	352	STROBE LIGHT	519
FILTER, ENG. OIL	340	SWITCH, ENG. OIL PRESS. .	266, 272
FILTER, FUEL	40	SWITCH, ENG. TEMP.	266, 272
FILTER, HYD. OIL .	192, 198-210, 255	SWITCH, GLOW PLUG	258
FUEL SYSTEM	40	SWITCH, HYDRO. TEMP.	266, 272
GAS SPRING	16	SWITCH, IGNITION	258, 262
GASKET KITS, ENG.	322	SWITCH, LIGHT	262
GUAGE, ENG. TEMP.	258	TANK, FUEL	40
GUAGE, FUEL	258	TANK, HYDRO.	168-188
HARNES, CAB	258, 262	THROTTLE	318
HARNES, CONTROLS	278	TIRE	527
HARNES, ENGINE	266, 272	TURBOCHARGER	340
HARNES, LIGHTS	469	VALVE STEM	527
HOOD, ENGINE	28, 30	VALVE, BKT. POS.	366
HORN	464	VALVE, CONTROL .	134, 138, 158, 162
HOURMETER	260	VALVE, ENG.	328
HUB, AXLE	51, 52	VALVE, HYD. CONTROL	144, 148, 152
IGNITION SWITCH	258, 262	VOLTMETER	258
INJECTION NOZZLES	348	WINDOW, REAR	382
INJECTORS	348	WINDOW, SIDE	382
LATCH, REAR DOOR	28, 30	WINDSHIELD WIPER	498
LEVER, PINTLE	218		

873 CONTENTS

MAIN FRAME	12-45
MAIN FRAME	12-15
OPERATOR CAB	16-17
SEAT	18-21
SEAT BAR	22-25
SEAT	26-29
REAR DOOR	30-33
LIFT ARMS & BOBTACH	34-37
BOB-TACH	38-39
PANELS	40-41
FUEL SYSTEM	42-45
DRIVE TRAIN	46-57
DRIVE TRAIN	46-47
MOTOR CARRIER	48-49
DISC BRAKE	50-53
AXLE	54-57
HYDRAULIC CIRCUITRY	58-175
HYDRAULIC CIRCUITRY	58-97
LIFT & TILT CONTROL CIRCUITRY	98-107
AUXILIARY HYDRAULICS	108-115
TILT CYLINDER	116-131
LIFT CYLINDER	132-133
TILT LOCK VALVE	134-135
LIFT LOCK VALVE	136-137
MANUAL LIFT RELEASE VALVE	138-139
CONTROL PEDALS	140-141
HYDRAULIC CONTROL VALVE	142-163
BICS CONTROL VALVE	164-165
HYDRAULIC CONTROL VALVE (W/BICS CONTROL VALVE)	166-169
HYDRAULIC CONTROL VALVE ((AHC))	170-173
BUCKET POSITIONING VALVE	174-175
HYDROSTATIC SYSTEM	176-267
HYDROSTATIC CIRCUITRY	176-221
HAND CONTROLS	222-227
HYDROSTATIC MOTOR	228-233
HYDROSTATIC PUMP	234-257
DOUBLE GEAR PUMP	258-259
GEAR PUMP	260-261
HYDROSTATIC OIL FILTER	262-267
ELECTRICAL SYSTEM	268-301
CAB ELECTRICAL CIRCUITRY	268-275
ENGINE ELECTRICAL CIRCUITRY	276-287
ELECTRICAL CONTROLS	288-289
ELECTRICAL CONTROLS	290-295
ALTERNATOR	296-297
STARTER	298-301
POWER UNIT	302-365
COOLING SYSTEM	302-311
ENGINE & ATTACHING PARTS	312-327
THROTTLE	328-329
COOLING FAN DRIVE ASSY.	330-331
ENGINE & GASKET KITS	332-335
MANIFOLDS	336-337
CYLINDER HEAD & COVER	338-341

873 CONTENTS (Cont'd)

POWER UNIT (CONT'D)	302-365
CAMSHAFT	342-345
FRONT COVER	346-349
CRANKCASE & OIL PAN	350-355
PISTON & CRANKSHAFT	356-357
FUEL INJECTION SYSTEM	358-361
OIL PUMP	362-363
AIR CLEANER	364-365
ACCESSORIES & OPTIONS	369-578
ACCESS COVER	369-370
BACK-UP ALARM KIT	371-376
BEACON LIGHT	377-378
BLOCK HEATER	379-382
BRAKE KIT	383-384
BUCKET POSITIONING KIT (S/N 5141 21999 & BELOW)	385-386
BUCKET POSITION ON-OFF KIT	387-388
BUCKET POSITIONING KIT (S/N 5154 22001-39999)	389-390
BUCKET SHIELD KIT	391-392
CAB ENCLOSURE	393-394
CAB DOOR	395-398
CAB ENCLOSURE	399-402
CAB WINDOWS	403-404
COUNTERWEIGHT KIT	405-408
DEBRIS EJECTOR KIT	409-410
DECALS	411-416
ELECTRICAL CONTROLS KIT	417-420
* ELECTRICAL CONTROLS KIT	421-422
ENGINE MOUNT KITS	423-424
EUROPEAN ACCESSORIES	425-440
FLASHER LIGHTS	441-444
FRONT AUXILIARY KIT	445-460
FRONT AUXILIARY PRESSURE RELIEF KIT	461-462
GAS SPRING KIT	463-464
HAND CONTROLS KIT	465-470
* HAND CONTROL KIT	471-474
HANDLE KITS	475-476
HEATER KIT - SINGLE	477-480
HEATER - SINGLE	481-482
HEATER PLUMBING KIT - SINGLE	483-484
HEATER KIT - DUAL	485-492
HORN KIT	493-496
KEYLESS IGNITION	497-498
LIFT KIT	499-500
LIFT ARM REPLACEMENT KIT	501-502
LIGHT KIT	503-506
M46-M44 PUMP CONVERSION	507-510
PURIFIER	511-512
PUSH TO OPERATE KIT	513-516
REAR AUXILIARY	517-528
REAR AUXILIARY VALVE	529-532
REAR DOOR LOCK	533-536
REAR WIPER KIT	537-538
RENTAL KIT	539-540
SEAT BAR KIT	541-544
SEAT RAIL COVER KIT	545-546

873 CONTENTS (Cont'd)

ACCESSORIES & OPTIONS	369-578
SEAT KIT	547-548
SEAT SENSOR OVERRIDE KIT	549-552
SHUNT HOSE KIT	553-554
SIDE CONSOLE KIT	555-556
STEERING KIT	557-558
SOUND OPTION	559-562
STROBE LIGHT	563-564
SUSPENSION SEAT	565-570
TIRES & RIMS	571-574
TOOL BOX	575-576
BULK ITEMS	577-578
NUMERICAL INDEX	579-650
NUMERICAL INDEX.....	579-650

873 CONTENTS

MAIN FRAME	12-45
MAIN FRAME	12-15
OPERATOR CAB	16-17
SEAT	18-21
SEAT BAR	22-25
SEAT	26-29
REAR DOOR	30-33
LIFT ARMS & BOBTACH	34-37
BOB-TACH	38-39
PANELS	40-41
FUEL SYSTEM	42-45
DRIVE TRAIN	46-57
DRIVE TRAIN	46-47
MOTOR CARRIER	48-49
DISC BRAKE	50-53
AXLE	54-57
HYDRAULIC CIRCUITRY	58-175
HYDRAULIC CIRCUITRY	58-97
LIFT & TILT CONTROL CIRCUITRY	98-107
AUXILIARY HYDRAULICS	108-115
TILT CYLINDER	116-131
LIFT CYLINDER	132-133
TILT LOCK VALVE	134-135
LIFT LOCK VALVE	136-137
MANUAL LIFT RELEASE VALVE	138-139
CONTROL PEDALS	140-141
HYDRAULIC CONTROL VALVE	142-163
BICS CONTROL VALVE	164-165
HYDRAULIC CONTROL VALVE (W/BICS CONTROL VALVE)	166-169
HYDRAULIC CONTROL VALVE ((AHC))	170-173
BUCKET POSITIONING VALVE	174-175
HYDROSTATIC SYSTEM	176-267
HYDROSTATIC CIRCUITRY	176-221
HAND CONTROLS	222-227
HYDROSTATIC MOTOR	228-233
HYDROSTATIC PUMP	234-257
DOUBLE GEAR PUMP	258-259
GEAR PUMP	260-261
HYDROSTATIC OIL FILTER	262-267
ELECTRICAL SYSTEM	268-301
CAB ELECTRICAL CIRCUITRY	268-275
ENGINE ELECTRICAL CIRCUITRY	276-287
ELECTRICAL CONTROLS	288-289
ELECTRICAL CONTROLS	290-295
ALTERNATOR	296-297
STARTER	298-301
POWER UNIT	302-365
COOLING SYSTEM	302-311
ENGINE & ATTACHING PARTS	312-327
THROTTLE	328-329
COOLING FAN DRIVE ASSY.	330-331
ENGINE & GASKET KITS	332-335
MANIFOLDS	336-337
CYLINDER HEAD & COVER	338-341

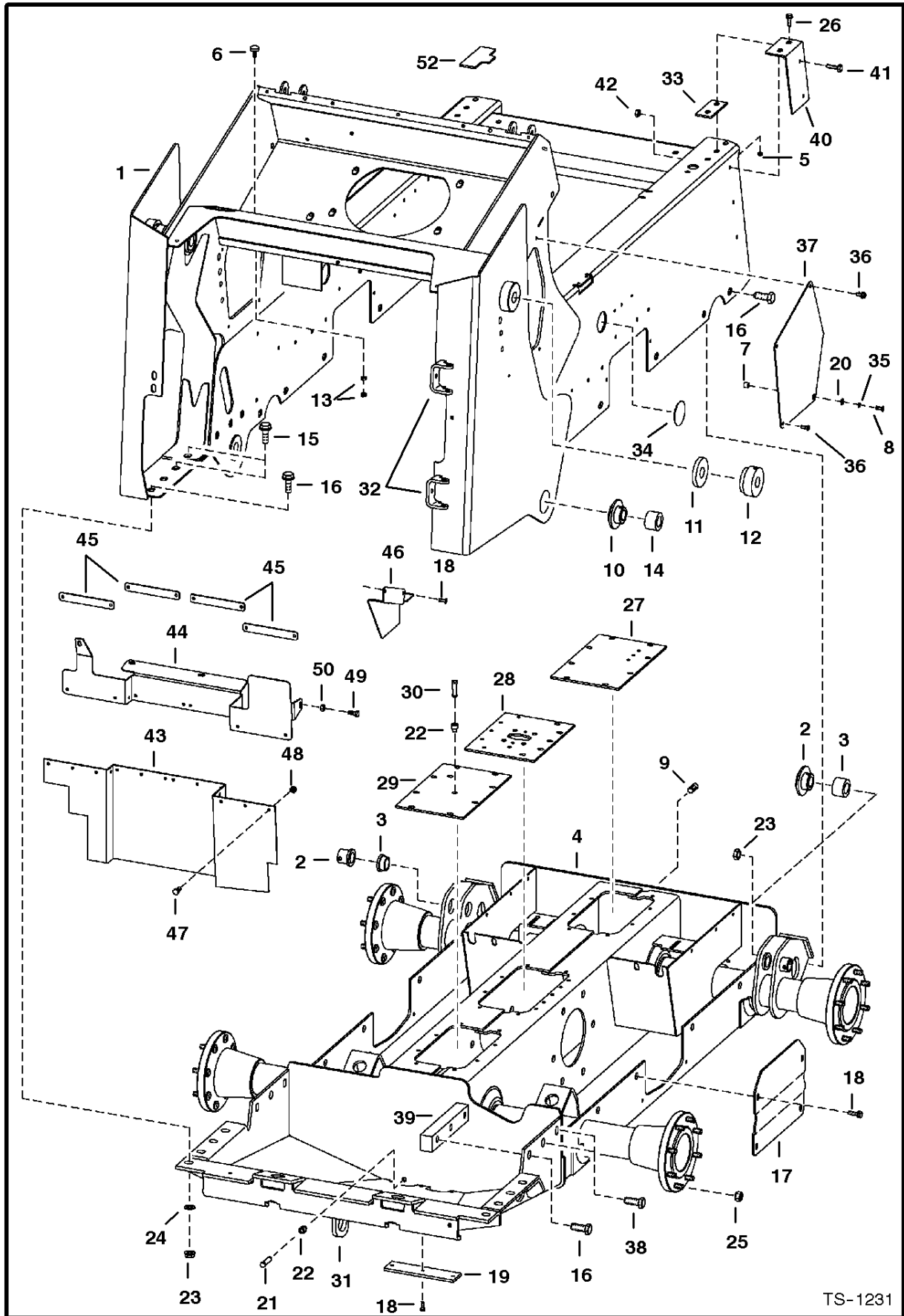
873 CONTENTS (Cont'd)

POWER UNIT (CONT'D)	302-365
CAMSHAFT	342-345
FRONT COVER	346-349
CRANKCASE & OIL PAN	350-355
PISTON & CRANKSHAFT	356-357
FUEL INJECTION SYSTEM	358-361
OIL PUMP	362-363
AIR CLEANER	364-365
ACCESSORIES & OPTIONS	369-578
ACCESS COVER	369-370
BACK-UP ALARM KIT	371-376
BEACON LIGHT	377-378
BLOCK HEATER	379-382
BRAKE KIT	383-384
BUCKET POSITIONING KIT (S/N 5141 21999 & BELOW)	385-386
BUCKET POSITION ON-OFF KIT	387-388
BUCKET POSITIONING KIT (S/N 5154 22001-39999)	389-390
BUCKET SHIELD KIT	391-392
CAB ENCLOSURE	393-394
CAB DOOR	395-398
CAB ENCLOSURE	399-402
CAB WINDOWS	403-404
COUNTERWEIGHT KIT	405-408
DEBRIS EJECTOR KIT	409-410
DECALS	411-416
ELECTRICAL CONTROLS KIT	417-420
* ELECTRICAL CONTROLS KIT	421-422
ENGINE MOUNT KITS	423-424
EUROPEAN ACCESSORIES	425-440
FLASHER LIGHTS	441-444
FRONT AUXILIARY KIT	445-460
FRONT AUXILIARY PRESSURE RELIEF KIT	461-462
GAS SPRING KIT	463-464
HAND CONTROLS KIT	465-470
* HAND CONTROL KIT	471-474
HANDLE KITS	475-476
HEATER KIT - SINGLE	477-480
HEATER - SINGLE	481-482
HEATER PLUMBING KIT - SINGLE	483-484
HEATER KIT - DUAL	485-492
HORN KIT	493-496
KEYLESS IGNITION	497-498
LIFT KIT	499-500
LIFT ARM REPLACEMENT KIT	501-502
LIGHT KIT	503-506
M46-M44 PUMP CONVERSION	507-510
PURIFIER	511-512
PUSH TO OPERATE KIT	513-516
REAR AUXILIARY	517-528
REAR AUXILIARY VALVE	529-532
REAR DOOR LOCK	533-536
REAR WIPER KIT	537-538
RENTAL KIT	539-540
SEAT BAR KIT	541-544
SEAT RAIL COVER KIT	545-546

873 CONTENTS (Cont'd)

ACCESSORIES & OPTIONS	369-578
SEAT KIT	547-548
SEAT SENSOR OVERRIDE KIT	549-552
SHUNT HOSE KIT	553-554
SIDE CONSOLE KIT	555-556
STEERING KIT	557-558
SOUND OPTION	559-562
STROBE LIGHT	563-564
SUSPENSION SEAT	565-570
TIRES & RIMS	571-574
TOOL BOX	575-576
BULK ITEMS	577-578
NUMERICAL INDEX	579-650
NUMERICAL INDEX	579-650

MAIN FRAME



TS-1231

MAIN FRAME

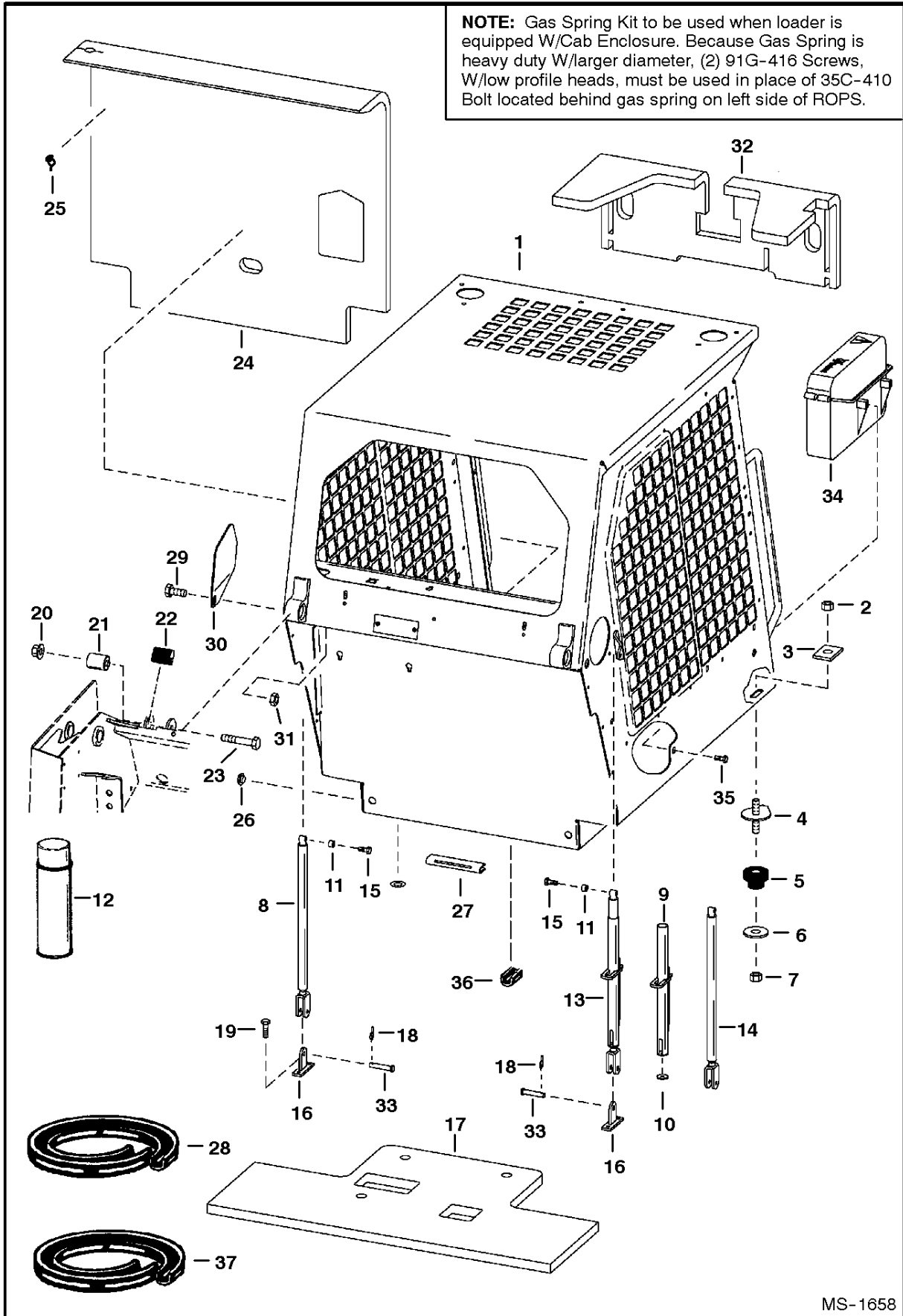
Ref.N°	Part N°	Description	Remarks	Serial N°	Qty.
1	NAP	MAIN FRAME	Order 6716534 Was 6706022 [A]	5141 15365 & Bel.	1
1	NAP	MAIN FRAME	Order 6716534 Was 6714259 [A]	5141 15366-22464	1
1	6716534	MAIN FRAME		5141 22465 & Abv.	1
2	6703616	BUSHING	weldAon	5141 22464 & Bel.	2
2	6716532	BUSHING	weldAon	5141 22465 & Abv.	2
3	6705995	BUSHING	weldAon	5141 22464 & Bel.	2
3	6716533	BUSHING	weldAon	5141 22465 & Abv.	2
4		CHAINCASE	See Page DRIVE TRAIN(1) - frame only		1
5	83D-8	NUT			4
6	6655399	BUMPER			2
7	97D-5	NUT			2
8	25G-514	BOLT			1
9	11F-12	PLUG	chaincase fill		1
10	6706712	BUSHING	inside upright weldAon		2
11	6706710	BUSHING	inside upright weldAon	5141 11092 & Bel	2
11				5142 11005 & Bel	2
11	6709856	BUSHING	inside upright weldAon	5141 11093 & Abv	2
11				5142 11006 & Abv	2
12	6706709	BUSHING	outside upright weldAon		2
13	61D-5	NUT			4
14	6706711	BUSHING	outside upright weldAon	5141 11092 & Bel	2
14				5142 11005 & Bel	2
14	6709857	BUSHING	outside upright weldAon	5141 11093 & Abv	2
14				5142 11006 & Abv	2
15	31C-1236	BOLT			10
16	31C-1228	BOLT			18
17	6706808	COVER			2
18	84G-3712	BOLT		5141 23306 & Bel.	10
18	84G-3712	BOLT		5141 23307 & Abv.	8
19	6700182	COVER			1
20	25E-15	WASHER			2
21	6599645	PLUG	chaincase drain		1
22	6553411	BUSHING			2
23	83D-12	NUT			20
24	6701097	WASHER			4
25	6564669	NUT	wheel - See Page AXLE(14)		32
26	35C-824	BOLT	W/metal guide		4
26	35C-832	BOLT	W/plastic guide		4
27		COVER	See Page DISC BRAKE(2)		1
28		COVER	See Page DISC BRAKE(2)		1
29	6700330	COVER	See Page DISC BRAKE(2)		1
30	6670627	BREATHER	See Page DISC BRAKE(2) - Was 6646626 [A]		1
31	6706485	HOOK	tie down - weldAon		2
32	6708987	BRACKET	weldAon - Was 6577394 [B,D]		2
33	6709900	SPACER	guide - W/metal guide		4
33	6909900	SPACER	guide - W/plastic guide		6
34	6718796	PLUG	Was 6660646 [A]		1
35	6564535	SPACER			2
36	84G-3112	BOLT			4
37	6706730	COVER			2
38	17C-1228	BOLT			4
39	6706857	BLOCK	threaded		2
40	NAP	GUIDE	metal - Order 6718152 (2) also Order 35C-832 (4) bolt, 6709900 (2) spacer & 53C-516 (4) bolt - Was 6709950 [A]		2
40	6718152	GUIDE	plastic		2

MAIN FRAME

Ref.N°	Part N°	Description	Remarks	Serial N°	Qty.
41	17C-516	BOLT	for metal guide -		4
41	53C-516	BOLT	for plastic guide		4
42	83D-5	NUT			4
43	6715275	SHIELD	exhaust, rubber	5141 15983-23306	1
44	6715274	BRACKET	shield	5141 15983-23306	1
45	6715270	CLAMP	shield	5141 15983-23306	4
46	6715276	SHIELD	hose	5141 15983-23306	1
47	17C-412	BOLT		5141 15983-23306	10
48	83D-4	NUT		5141 15983-23306	10
49	17C-616	BOLT		5141 15983-23306	1
50	97D-6	NUT		5141 15983-23306	1
51	35C-616	BOLT		5141 15983-23306	2
52	6707515	BRACE	weldAon		2

OPERATOR CAB

NOTE: Gas Spring Kit to be used when loader is equipped W/Cab Enclosure. Because Gas Spring is heavy duty W/larger diameter, (2) 91G-416 Screws, W/low profile heads, must be used in place of 35C-410 Bolt located behind gas spring on left side of ROPS.



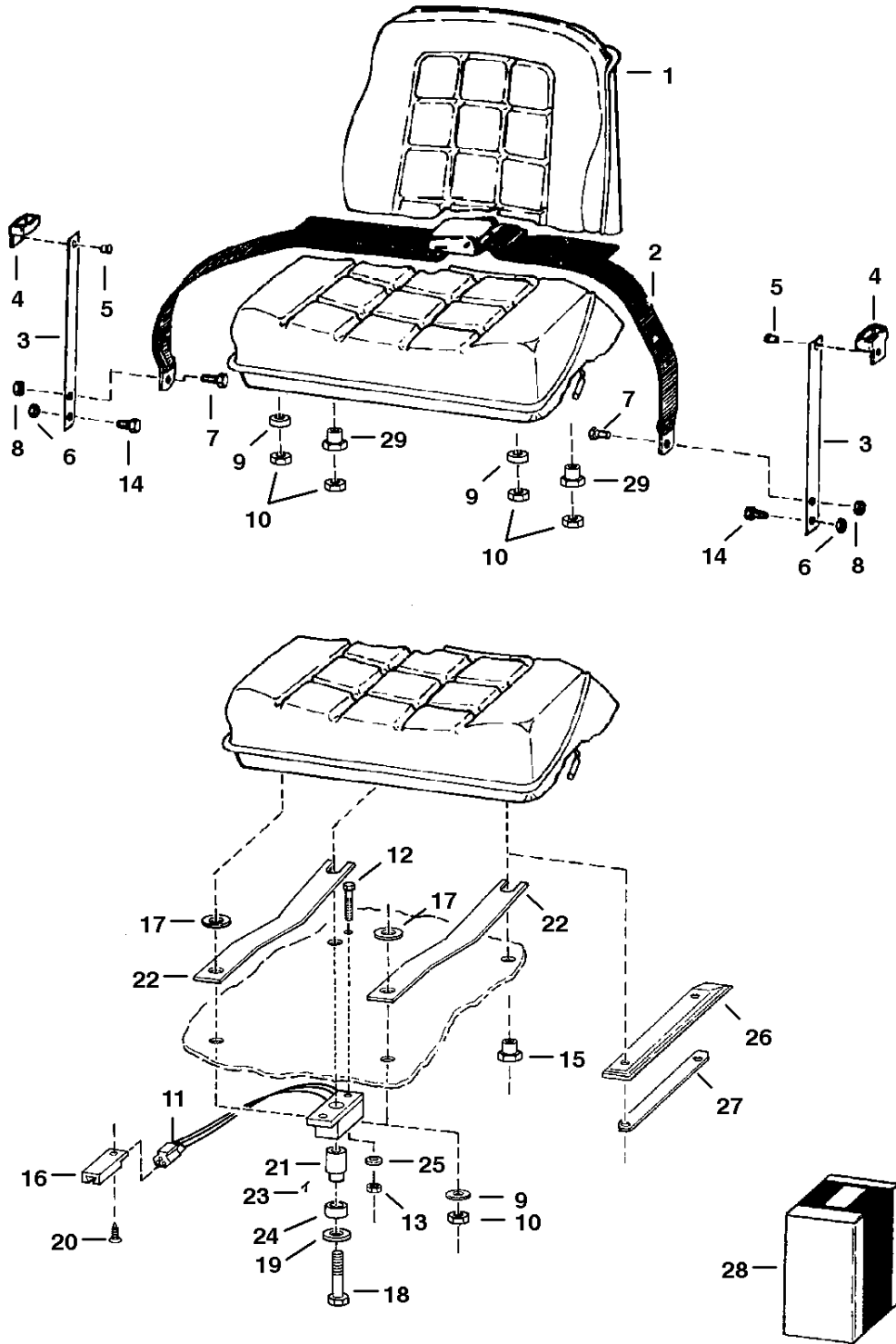
MS-1658

OPERATOR CAB

Ref.N°	Part N°	Description	Remarks	Serial N°	Qty.
1	6701957	OPERATOR CAB	W/ decals		1
2	59D-8	NUT			2
3	6553709	WASHER			2
4	6702971	BOLT			2
5	6560633	MOUNT			2
6	6515817	WASHER			2
7	85D-8	NUT			2
8	6667834	NUT			1
9	6708189	TUBE	stop		1
10	6701174	WASHER			1
11	6567604	SPACER			2
12	6652818	ADHESIVE	insulation - 24 oz. spray can		x
13	NAP	GAS SPRING	Order Ref. OPERATOR CAB(8)-OPERATOR CAB(10)		1
14	6667835	GAS SPRING			1
14	NSS	GAS SPRING	heavy duty - for cab W/ enclosure - Order Ref. 1 on Page GAS SPRING KIT(1)		1
15	6567743	PIN			2
16	6710750	MOUNT	Was 6706349 [C]		2
17	6715095	INSULATION	seat pan - use W/Ref. OPERATOR CAB(12) - Was 6706982 [A]		1
18	6631418	PIN	ring		4
19	84G-3112	BOLT			4
20	53D-10	NUT	Was 83D-10 [B]		2
21	6562602	BUSHING	rubber		2
22	6579613	STOP	cab tilt		2
23	17C-1056	BOLT			2
24	6708682	INSULATION	seat back - Use W/Ref. OPERATOR CAB(25)		1
25	6664310	CLIP	insulation		8
26	6664374	PLUG	heater hole		5
27	NAP	MOULDING	6' (152mm) long - Order Ref. OPERATOR CAB(28)		1
28	6512686	SEAL	bulk - Sold Per Foot		x
29	17C-512	BOLT			1
30	6707879	COVER			1
31	83D-5	NUT			1
32	NAP	INSULATION	Was 6706345 [A]		1
32	6714470	INSULATION	cut to fiticom31+ }H~10{M		x
33	4F-5062	PIN			2
34	6708827	CONTAINER	manuals		1
35	6702642	BOLT			2
36	NAP	MOULDING	front corners of cab seat pan - 10.5' (266mm) long - Order Ref. OPERATOR CAB(37)		2
37	6654139	MOULDING	bulk - sold per foot		x

SEAT

NOTE: Standard seat requires (1) of Ref. 22 located on R.H. side.
Milsco Suspension seat requires (2) of Ref. 22 located one each side.
Grammer Suspension seat.



B-18398

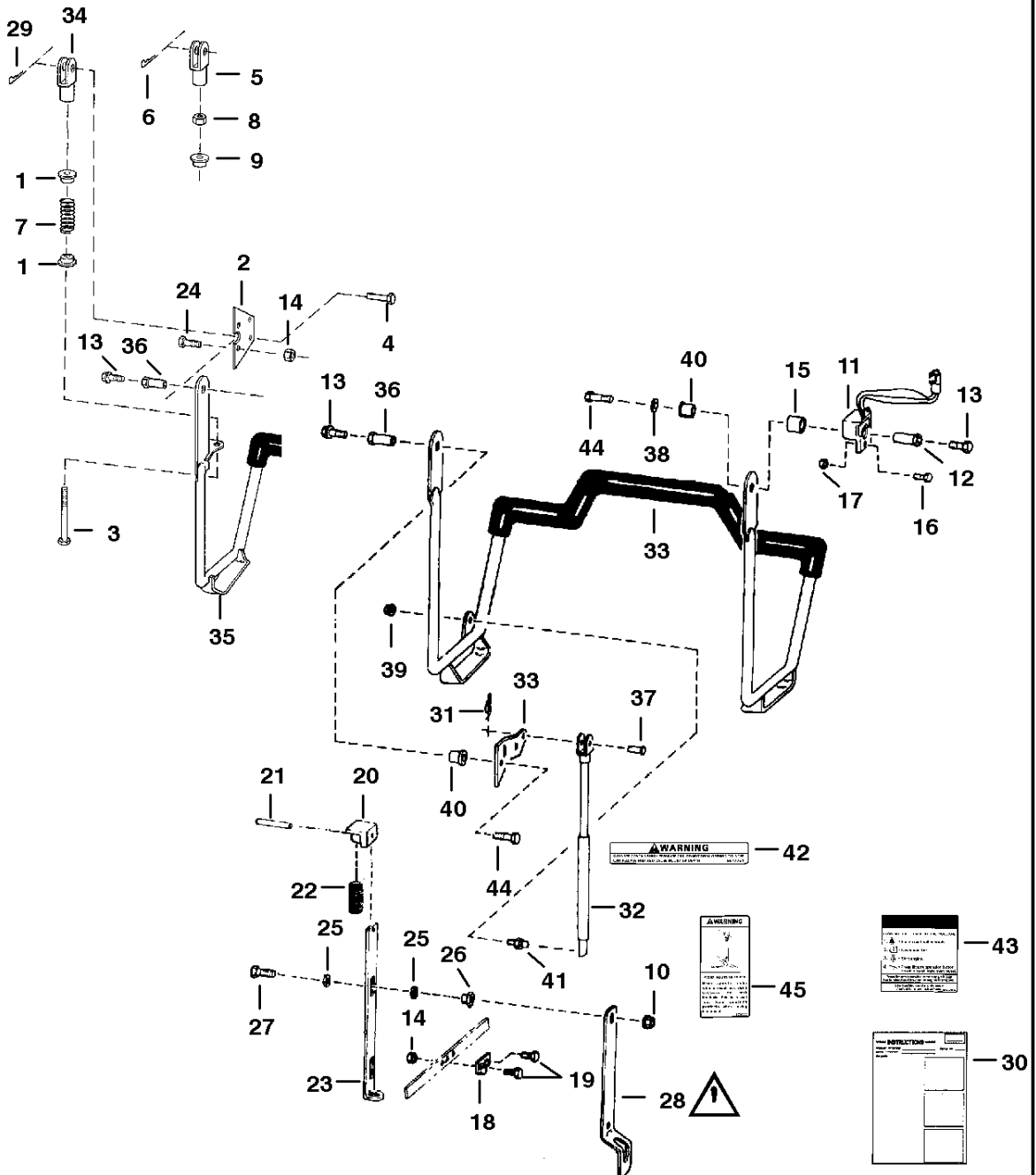
SEAT

Ref.N°	Part N°	Description	Remarks	Serial N°	Qty.
1		SEAT	See Page SEAT(1)		1
2	NAP	SEAT BELT	Order Ref. SEAT(28) - Was 6564774 [A]		1
2	NAP	SEAT BELT	Order 6675074 seat belt & (2) of Ref. SEAT(3) (6725373) spring plate - Was 6667875[A]		1
2	NAP	SEAT BELT	W/ spring plates - Order 6675074 seat belt & (2) of Ref. SEAT(3) (6725373) spring plate - Was 6725403 [A]		1
2	6675074	SEAT BELT	W/O spring plates		1
3	NAP	GUIDE ASSY.	W/Ref. SEAT(4) & SEAT(5) - 13.75' (349mm) long - used W/NAP 6564774 seat belt - Was 6565354 [A]		2
3	NAP	GUIDE ASSY.	W/Ref. SEAT(4) & SEAT(5) - 12.25' (311mm) long - used W/NAP 6667875 seat belt - Order 6711908 spring plate, Ref. SEAT(4) & Ref.		2
3	6711908	SPRING PLATE	use W/Ref. SEAT(2) (NAP/ 6667875 seat belt)		2
3	6725373	SPRING PLATE	use W/Ref. SEAT(2) (NAP/ 6675074 seat belt)		2
4	6565355	GUIDE			2
5	6630207	RIVET			4
6	85D-6	NUT			2
7	17C-716	BOLT			2
8	85D-7	NUT			2
9	6701174	WASHER			2
10	61D-5	NUT		5141 23809 & Bel.	2
10	59D-5	NUT		5141 23810 & Abv.	4
11	6670652	SENSOR	Also Order Ref. SEAT(23) - Was 6667690 [A]		1
12	35C-410	BOLT	fastens thru tab of Ref. SEAT(11)		2
12	17C-428	BOLT	fastens thru body of Ref. SEAT(11) - Was 6710539 [A]		1
13	83D-4	NUT	fastens thru tab of Ref. SEAT(11)		2
13	50D-12	NUT	fastens thru body of Ref. SEAT(11)		1
14	17C-612	BOLT			2
15	6707319	NUT	spacer		1
16	6665000	CLIP			1
17	6706890	WASHER			2
18	17C-508	BOLT			2
19	25E-16	WASHER			1
20	6664221	RETAINER			1
21	NAP	BUSHING	spacer - 1.775' (45mm) long - Order 6710751 Bushing - Was 6706686 [A]		1
21	6710751	BUSHING	spacer - Was 6710571 [D]		1
22	6706966	SPRING	plate - SEE NOTE		1
23	6664881	KEY	magnet bushing		1
24	6666608	BUSHING	tapered - magnetic		1
25	25E-10	WASHER			1
26	6711729	COVER			2
27	6711730	STRIP			2
28	NAP	KIT	seat belt - W/ Ref. SEAT(2) & SEAT(3) - Order Ref. SEAT(2) (6675074) seat belt & (2) of Ref. SEAT(3) (6725373) spring plate -		1
29	6707318	GUIDE			2

SEAT BAR



WARNING: Never operate loader without pedal lock shield 6705474 on both interlocks. Shields prevent foot from unlocking interlocks when leaving loader seat.

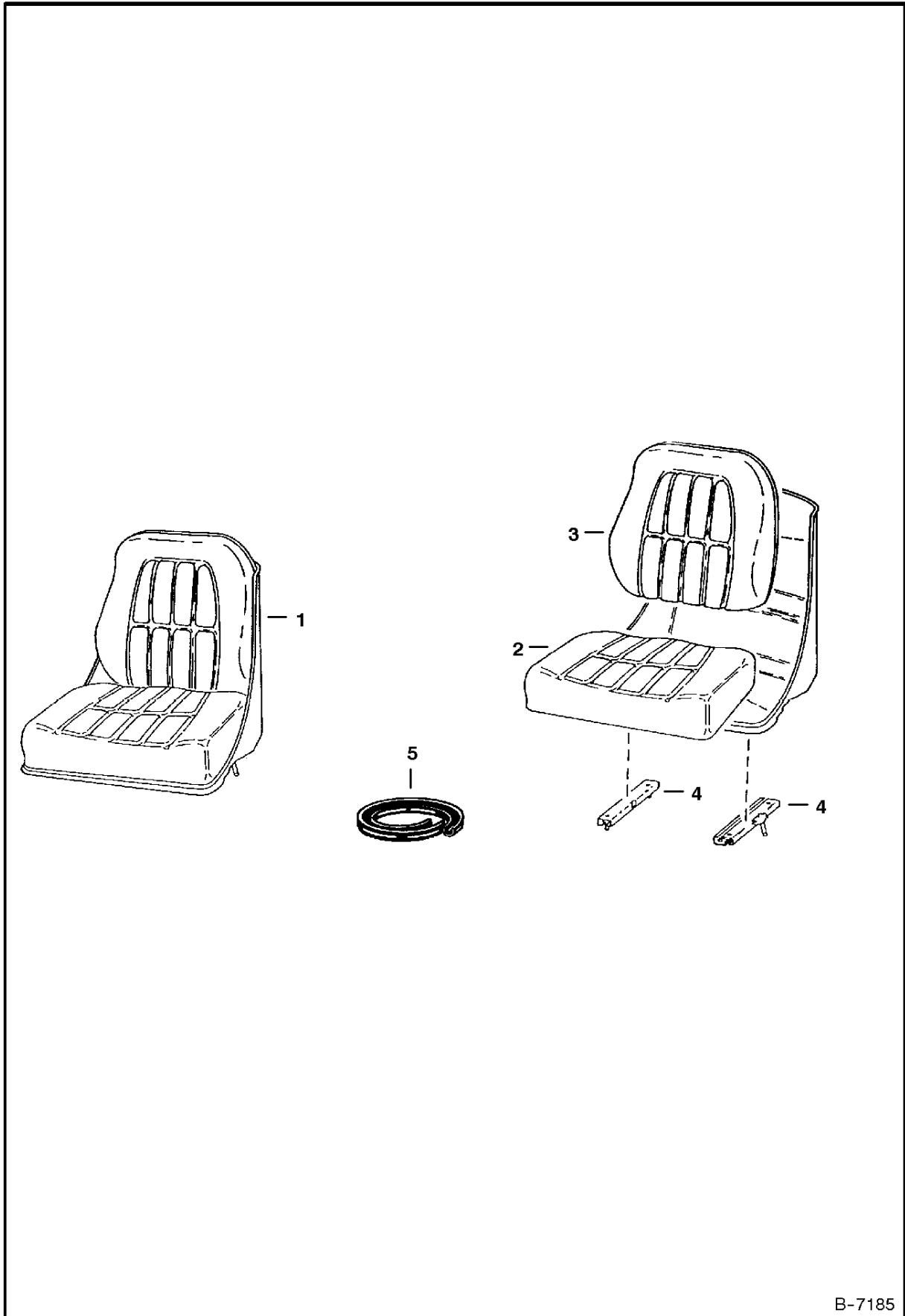


E-2222

SEAT BAR

Ref.N°	Part N°	Description	Remarks	Serial N°	Qty.
1	6710659	BUSHING		5141 12224-15325	2
2	6710660	MOUNT		5141 15326 & Abv.	2
3	6713887	BOLT	Was 6711897 [A]	5141 15326 & Abv.	2
4	4F-6106	PIN		5141 15326 & Abv.	2
5	2J-6208	CLEVIS		5141 12224-15325	2
6	1306637	PIN		5141 12224-15325	2
7	6701535	SPRING		5141 15326 & Abv.	2
8	8D-6	NUT		5141 12224-15325	2
9	6571991	WASHER		5141 12224-15325	2
10	59D-6	NUT			5
11	6670652	SENSOR	Was 6667690 [A]		1
12	6706685	BUSHING			1
13	35C-608	BOLT		& Bel.	2
13	35C-612	BOLT		& Abv.	2
14	91D-7	NUT			2
15	6671135	BUSHING	magnetic - Was 6665521 [A]		1
16	35C-410	BOLT	fastens thru tab of Ref. SEAT BAR(11)		2
16	6710539	BOLT	fastens thru body of Ref. SEAT BAR(11)		1
17	83D-4	NUT	fastens thru tab of Ref. SEAT BAR(11)		2
17	50D-12	NUT	fastens thru body of Ref. SEAT BAR(11)		1
18	6563151	LINK			2
19	17C-616	BOLT			4
20	6563148	BLOCK			2
21	14J-2512	PIN			2
22	6702430	SPRING			2
23	6578150	LOCK			2
24	17C-712	BOLT			2
25	6700170	WASHER	plastic		8
26	6559479	NUT			4
27	6705489	BOLT			4
28	6705474	LOCK SHIELD	Never operate loader without pedal lock shield on both interlocks ... SEE WARNING ON PREVIOUS PAGE		1
29	6631418	PIN		5141 15326 & Abv.	1
30	6722392	INSTRUCTIONS	for Ref. SEAT BAR(28)		1
31	6631418	PIN	ring	5141 12223 & Bel.	1
32	6664207	GAS SPRING		5141 12223 & Bel.	1
33	6716778	SEAT BAR	for use W/gas spring - Was 6706358 [A]	5141 12223 & Bel.	1
33	NAP	SEAT BAR	for use W/ compression spring - Order 6716777 seat bar and (2) each of Ref. SEAT BAR(1), SEAT BAR(3), SEAT BAR(29) & SEAT BAR(34)	5141 12224-15325	1
33	6716777	SEAT BAR	Was 6713609 [A]	5141 15326 & Abv.	1
34	6713589	CLEVIS		5141 15326 & Abv.	1
35	6706388	BRACKET			1
36	6706962	BUSHING			1
37	4F-5062	PIN			1
38	25E-17	WASHER			1
39	85D-5	NUT			1
40	6664882	BUSHING	keyed		1
41	6649244	BALL STUD		& Bel.	1
42	6577754	DECAL	warning	& Bel.	1
43	6707134	DECAL	instruction for LCS		1
44	17C-608	BOLT			2
45	6705720	DECAL			1

SEAT

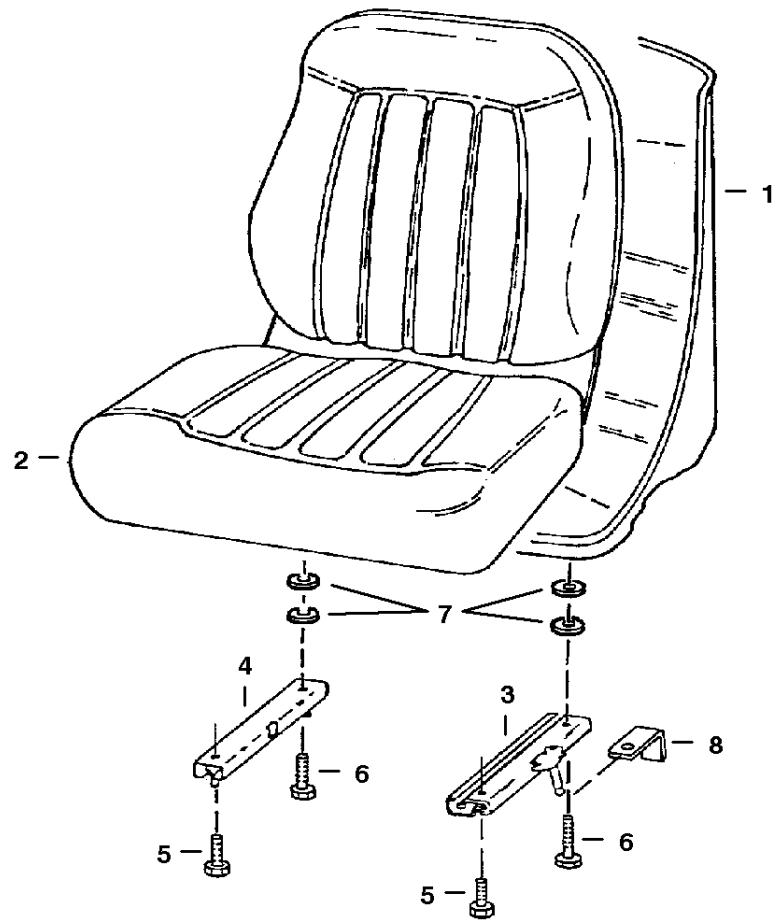


B-7185

SEAT

Ref.N°	Part N°	Description	Remarks	Serial N°	Qty.
1	6563140	SEAT	seat - black - Was 6665401 [A]		1
2	NAP	CUSHION	seat - gray		1
2	6630468	SEAT CUSHION	seat - black		1
3	NAP	CUSHION	back - gray		1
3	6630465	BACK CUSHION	back - black		1
4	6630469	TRACK	W/Latch		1
4	6599780	TRACK	WO/Latch		1
5	6652935	EDGING	96" (2,4 m) - For Ref. SEAT(2) & SEAT(3)		x
5	6665656	CLIP	splice		1

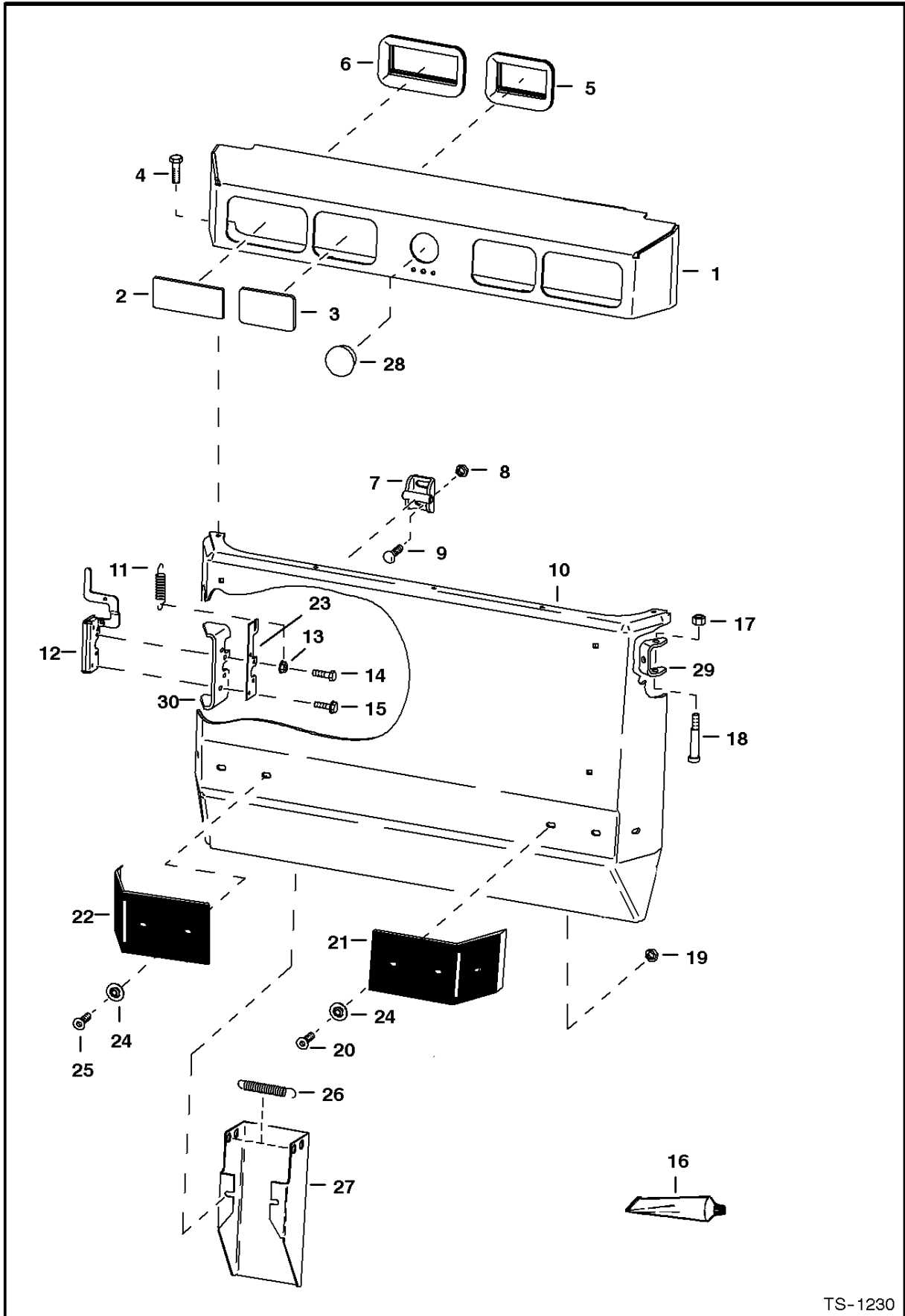
SEAT (Michigan)



B-14720

Ref.N°	Part N°	Description	Remarks	Serial N°	Qty.
1	NAP	SEAT	W/Ref. SEAT(2)-SEAT(5) & SEAT(8) - Order 6669135 seat - Was 6667684 [A]		1
1	6669135	SEAT	W/Ref. SEAT(2)-SEAT(7)		1
2	6670160	CUSHION	W/edging, clip & (2) grommets		1
2	NSS	EDGING			1
2	NSS	CLIP			1
3	NAP	TRACK	L.H. - W/10' (254mm) latch - Was 6669088 [A]		1
3	6674013	TRACK	L.H. - W/8' (203,2mm) latchucom3F= }H~10{M		x
4	6669089	TRACK	R.H. - W/O Latch		1
5	25G-512	BOLT	6669135 seat uses (2) bolts		4
6	25G-520	BOLT			2
7	6672715	SPACER	Was 7000010 [A]		4
8	6668953	BRACKET	See S/L dated 16 April 1996		2

REAR DOOR
(S/N 5141 15365 & 5142 13009 & Below)

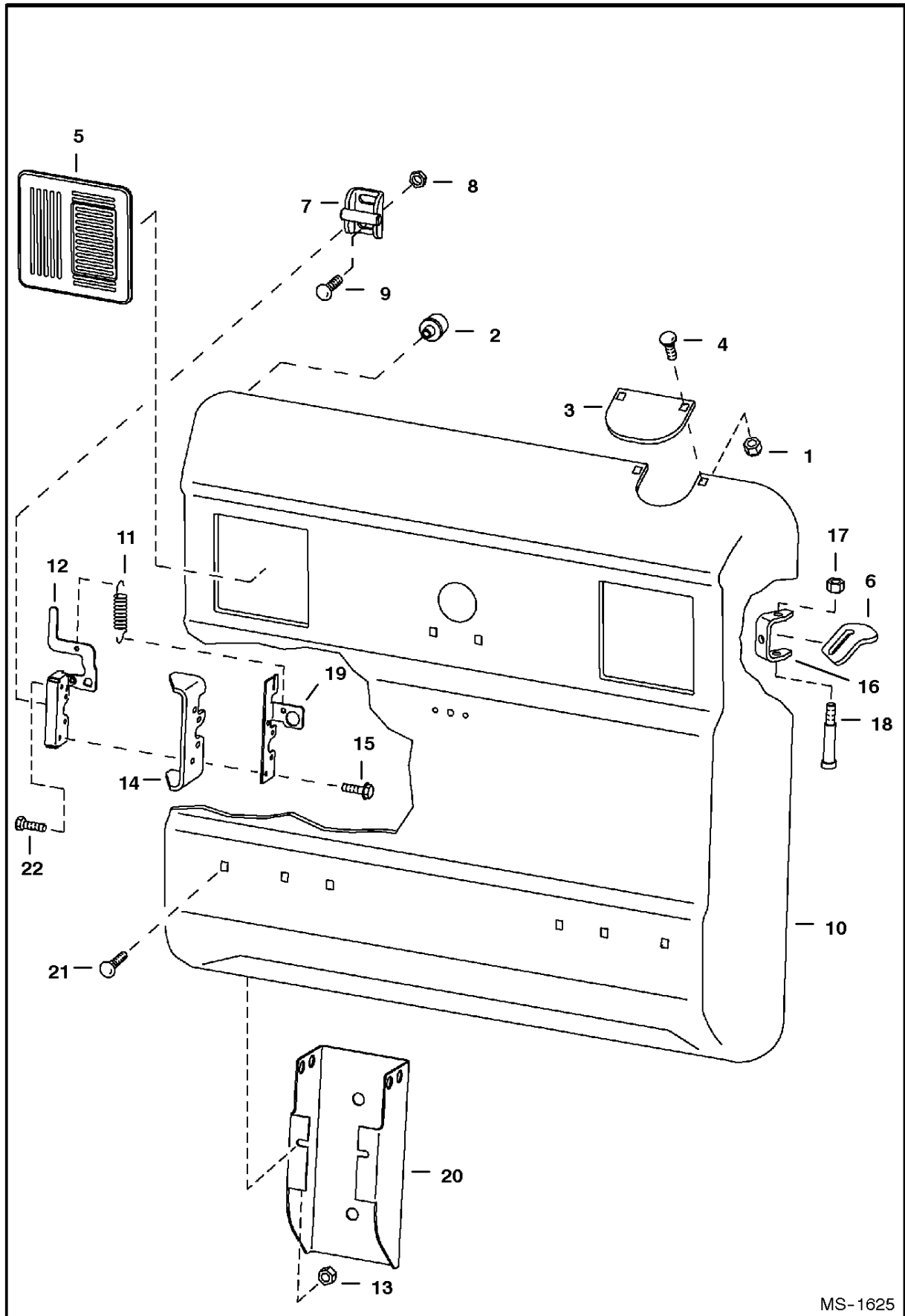


TS-1230

REAR DOOR

Ref.N°	Part N°	Description	Remarks	Serial N°	Qty.
1	6707713	HOOD	steel		1
2	6708587	COVER			2
3	6708588	COVER			2
4	84G-3716	BOLT			4
5	6703796	MOUNT	light		2
6	6705980	MOUNT	light - for 7' (178mm) wide hole		2
6	6705774	MOUNT	light - for 6' (152mm) wide hole		2
7	6715157	STRIKER ASSY.	Was 6579969 [A]		1
8	83D-8	NUT			2
9	37C-820	BOLT			2
10	6708624	REAR DOOR			1
11	6563128	SPRING			1
12	6649420	LATCH			1
13	57D-4	NUT			9
14	17C-424	BOLT			1
15	31C-420	BOLT			3
16	6649835	ADHESIVE	Used W/Ref. REAR DOOR(21) & REAR DOOR(22)		x
17	59D-6	NUT			2
18	38C-856	BOLT			2
19	57D-6	NUT			6
20	9G-628	BOLT			4
21	6577400	BUMPER	bond W/Ref. REAR DOOR(16)		1
22	6577401	BUMPER	bond W/Ref. REAR DOOR(16)		1
23	6704464	GUIDE	latch		1
24	6704332	WASHER			6
25	9G-636	BOLT			2
26	6700743	SPRING			1
27	6709379	TOOL HOLDER	Was 6705100 [A]		1
28	6718796	PLUG	Was 6660646 [A]		1
29	6577395	HINGE	Was 6597395 [D]		2
30	6700279	LATCH PLATE	weldAon		1

REAR DOOR
(S/N 5141 15366-39999 & 5142 13010-39999)

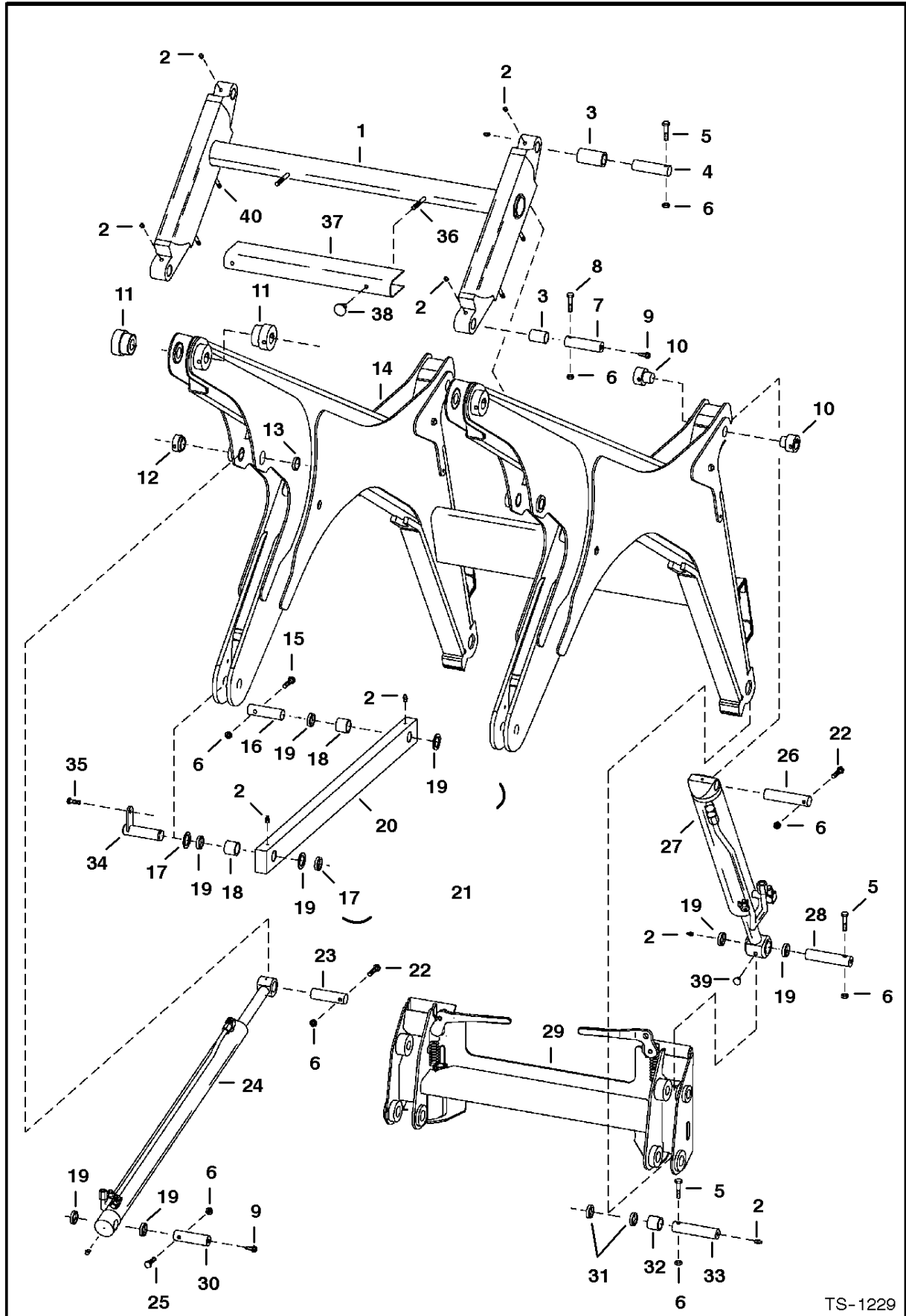


MS-1625

REAR DOOR

Ref.N°	Part N°	Description	Remarks	Serial N°	Qty.
1	61D-5	NUT	Was 85D-5 [B]		2
2	NAP	BUMPER	Order 6655399, also Order 61D-5 (2) nut - Was 6714454 [A]		2
2	6655399	BUMPER			2
3	6714509	COVER	exhaust		1
4	37C-512	BOLT			2
5	6670287	COVER			2
6	6714126	DOOR STOP			1
7	6715157	STRIKER ASSY.	Was 6579969 [A]		1
8	83D-8	NUT			2
9	37C-820	BOLT	carriage		2
10	6711524	REAR DOOR			1
11	6714210	SPRING			1
12	6670867	LATCH			1
13	55D-6	NUT			2
14	6700279	LATCH PLATE	weldAon		1
15	31C-420	BOLT			4
16	6711526	HINGE	weldAon		2
17	59D-6	NUT			2
18	38C-856	BOLT			2
19	6711664	GUIDE	latch		1
20	6715318	TOOL HOLDER	Was 6716064 [D]		1
21	37C-612	BOLT			2
22	35C-412	BOLT			1

LIFT ARMS & BOBTACH

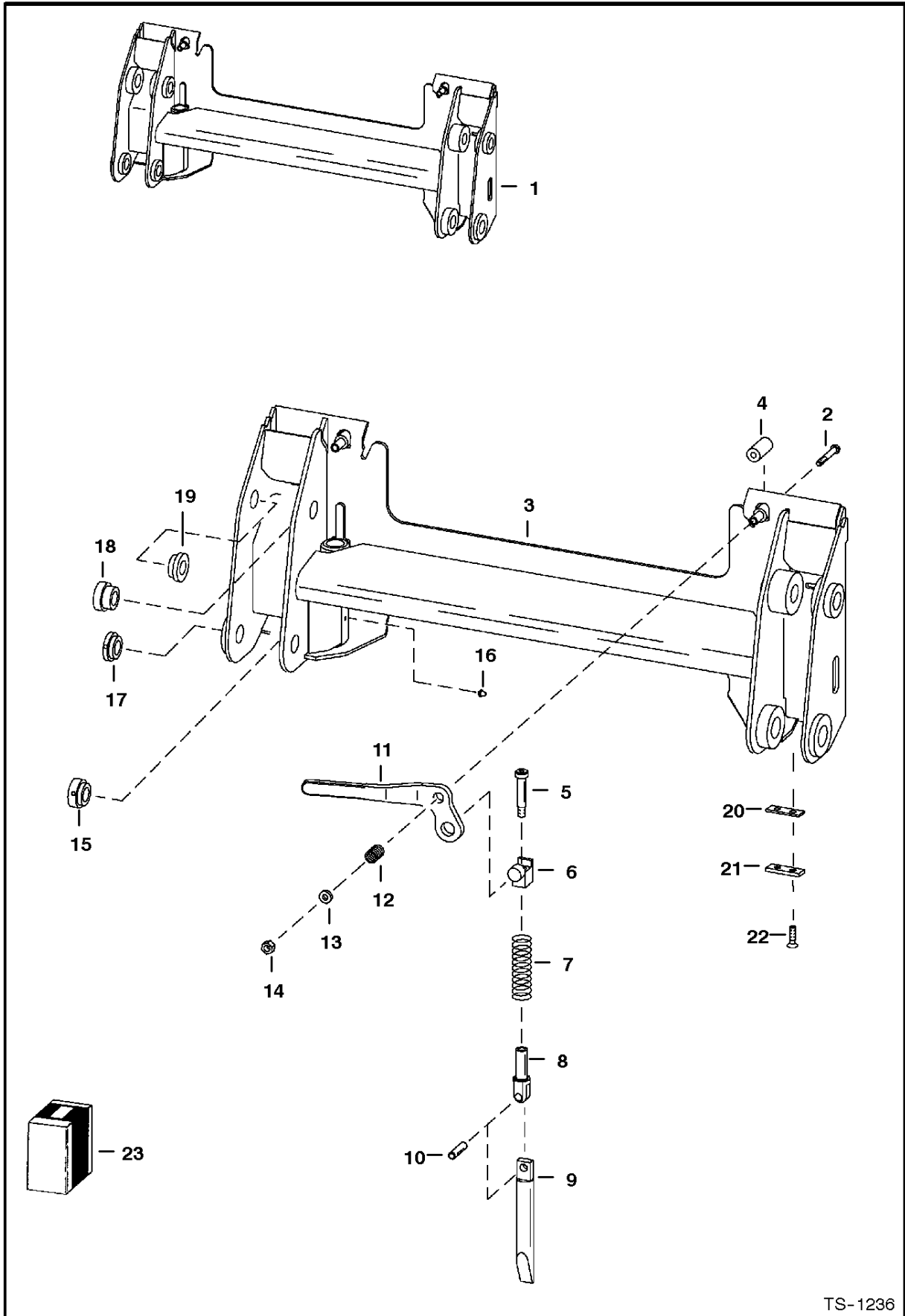


TS-1229

LIFT ARMS & BOBTACH

Ref.N°	Part N°	Description	Remarks	Serial N°	Qty.
1	NAP	H-FRAME	See BTI 331 - See Page LIFT ARM REPLACEMENT KIT(7) - Was 6706627 [A]		1
2	10H-25	GREASE ZERK			12
3	6706830	BUSHING	wear		4
4	6547595	PIN			2
5	17C-656	BOLT			6
6	85D-6	NUT			16
7	6708071	PIN			2
8	17C-680	BOLT			2
9	17C-812	BOLT			4
10	6706606	BUSHING	Weld On		4
11	6706602	BUSHING	Weld On		4
12	6555987	BUSHING	Weld On		2
13	6703616	BUSHING	Weld On		2
14	NAP	LIFT ARM	See BTI 331 - See Page LIFT ARM REPLACEMENT KIT(7) - Was 6706624 [A]		1
15	17C-656	BOLT			2
16	6702452	PIN			2
17	6708077	SHIM		5141 23159 & Bel.	4
17	6716792	SHIM		5141 23160 & Abv.	4
18	6706226	BUSHING	wear - for 6706623	5141 23159 & Bel.	4
18	6716539	BUSHING	wear - for 6716537	5141 23160 & Abv.	4
19	225855	SEAL			16
20	NAP	ROD LINK	1.25' x 2.5' - Order 6716537 & 6716792 (4) shims - Was 6706623 [A]		2
21	NAP	LINK ASSY.	1.25' x 2.5' - Ref. LIFT ARMS & BOBTACH(2) & LIFT ARMS & BOBTACH(18)-LIFT ARMS & BOBTACH(20) - Order 6716537 & 6716792 (4) shi		2
21	6716537	LINK ASSY	1' x 2.25' - Ref. LIFT ARMS & BOBTACH(2) & LIFT ARMS & BOBTACH(18)-LIFT ARMS & BOBTACH(20)		2
22	17C-640	BOLT			4
23	6547593	PIN			2
24	6589198	CYLINDER	lift - See Page LIFT CYLINDER(1)		2
25	17C-664	BOLT			2
26	6702935	PIN			2
27		CYLINDER	R.H - tilt - See Page TILT CYLINDER(7)-TILT CYLINDER(10)		1
27		CYLINDER	L.H - tilt - See Page TILT CYLINDER(11)-TILT CYLINDER(14)		1
28	NAP	PIN	Order 6710234 Pin, Ref. LIFT ARMS & BOBTACH(2) & Ref. LIFT ARMS & BOBTACH(39)		2
28	6710234	PIN			2
29	SALES	BOB-TACH	See Page BOB-TACH(4)		1
30	6706287	PIN			2
31	6631067	SEAL			4
32	6708517	BUSHING	wear		2
33	6711334	PIN	Was 6708492 [A]		2
34	6706292	PIN			2
35	84G-3712	BOLT			2
36	6708777	STUD	Weld On		2
37	6708645	STOP	lift arm - Was 6703918 [A]		1
38	6647668	KNOB			2
39	16F-2	PLUG			2
40	NAP	STUD	Weld On - Was 1302414 [A]		4

BOB-TACH



TS-1236

Complete manual From
aservicemanualpdf.com

**Thank you very much
for your reading.**

Please Click Here

**Then Get More
Information.**