

The 7 Concepts Constitution based on Love

Expanded 4th Edition with over 450 Rights & the New Love Technology

The World belongs to all of us, NOT the Elites. We are the 99% with the solution of *The Seven Concepts* to fight global tyranny and oppression by the Elites. And now we can have a new Loving, Joyous and Altruistic society to resolve the economic and societal problems today. Never again will we fall to the oligarchy standing in our way to worldwide freedom, homestead security and personal sovereignty. We will never be their economic or political slave again.

Using *The Seven Concepts*, we could solve any problem, or advance any form of knowledge. A system that could simplify life no matter what it was. This introductory volume considers a new form of society and thinking we can learn to live by, and eliminate every form of poverty, crime, corruption, war, pollution and nearly every form of social ill imaginable. This is really possible, and we can start now, by yourself or within groups of like minds. You don't need a leader for this, you lead yourself. Take action now and get your life and freedom back, and don't let anyone tell you it can't be done. Feel the weight lifted from your shoulders knowing you'll never be kicked out of your home, or starve, or have your utilities cut off. No more gangs, violence, or fighting. No more frustration, disparity, guilt, pain or stress. No more bills or doing things you hate. Instead, you can do the things you love, and make you happy, relieved and assured nothing can control you ever again. Own yourself!



LOLL THE SEVEN CONCEPTS (VOL.1)

THE SEVEN CONCEPTS

A NEW CONSTITUTION

BASED ON

LOVE AND ALTRUISM

(4th Edition)

A photograph of the Earth from space, showing the curvature of the planet and the blue oceans and white clouds.

RICK LOLL

The 7 Concepts Constitution Based on Love & Altruism 4th Edition

Attach "bit.ly/7C41PDF" to all your texts and messages:

We Need To Get The 7C Constitution Out!

This PDF Document is PUBLIC DOMAIN!

The People's 7 Concepts Constitution based on Love & Altruism (4th Edition) by Rick Loll:

I feel like, no matter how hard I try to make this the ultimate system to live in, I'm doing it in vain, because nobody will help, nor will anyone try changing. **This system is the best anything could ever be. Do something!**

Please Donate: <https://www.patreon.com/7CConstitution>

We are replacing The U.S. Government into Omaha.

Please, Sign the petitions:

<https://www.thepetitionsite.com/takeaction/950/334/918/>

And

[https://www.change.org/p/united-nations-we-need-to-start-a-new-government-based-on-love-altruism-the-7c-constitution?](https://www.change.org/p/united-nations-we-need-to-start-a-new-government-based-on-love-altruism-the-7c-constitution?recruiter=640292852&utm_source=share_petition&utm_medium=twitter&utm_campaign=share_twitter_responsive&utm_term=254859)

[recruiter=640292852&utm_source=share_petition&utm_medium=twitter&utm_campaign=share_twitter_responsive&utm_term=254859](https://www.change.org/p/united-nations-we-need-to-start-a-new-government-based-on-love-altruism-the-7c-constitution?recruiter=640292852&utm_source=share_petition&utm_medium=twitter&utm_campaign=share_twitter_responsive&utm_term=254859)

The 7 Concepts Constitution (Version 4.1)

Donations:

Please Donate: <https://www.patreon.com/7CConstitution> (*I'm homeless*)

Donate Bitcoin: 12ECQnpJSrszUYGqdGUQzQ3N2rD2Va4wks

Contacts:

Updates are posted on Twitter: [@7CConstitution](https://twitter.com/7CConstitution)

Email: 7CConstitution@gmail.com

Media:

The 1st Edition of this book is available at the following web sites:

Kindle e-Book \$1: [Amazon.com/dp/B009S9MD90](https://www.amazon.com/dp/B009S9MD90)

Paperback \$10: [Createspace.com/4029231](https://www.createspace.com/4029231)

and also \$10: [Amazon.com/dp/1480123676](https://www.amazon.com/dp/1480123676)

Facebook: www.facebook.com/7ConceptsConstitution (often unpublished by FB)

Blog: <https://7constitution.blogspot.com/> (never used)

7C has always been complete and FREE since the 2nd edition.

Full Constitution PDF 2nd Edition Ver. 2.0: <http://bit.ly/7CConstitutionPDF>

Full Constitution PDF 3rd Edition Ver. 3.0: <http://bit.ly/7C3PDF>

Full Constitution PDF 3rd Edition Ver. 3.1: <http://bit.ly/7C31PDF>

Full Constitution PDF 3rd Edition Ver. 3.2: <http://bit.ly/7C32PDF> (font doesn't work on Adobe Acrobat 11, Windows 10)

Full Constitution PDF 4th Edition Ver. 4.0: <http://bit.ly/7C40PDF>

This Full PDF 4th Edition Ver. 4.1: <http://bit.ly/7C41PDF>

Videos:

Youtube Channel: www.YouTube.com/7CConstitution

The Video describing Concept 1 is on the following links:

(Clean 10 min) https://youtu.be/R_fXuDjOHOM

(Long 30 min) <https://youtu.be/VeSG2ES55kk>

(Short 10 min) <https://vimeo.com/161039822>

Contributors:

#BlackLivesMatter URL: <http://blacklivesmatter.com/>

#WomensMarch URL: <https://www.womensmarch.com/>

#OurRevolution URL: <https://ourrevolution.com/>

#Wingmakers URL: <https://www.wingmakers.com/>
and <https://sovereignintegrl.blogspot.com/>

#Ubuntu URL: <https://ubuntuparty.com>

#TheUrantiaPapers: *The Praying Mantis Aliens*

Edition notes: New material is sprinkled throughout, and about 50 major concept updates are posted as “(New to version 4.1)”. All cross-references are now hyperlinked, including a new Table of Contents. New things have been added; bolder wider formatting, illustrations, Social Media “Bill of Rights”, Appendix A, and Concept 1) has been expanded, and categorized.

Contents

FOREWORD.....	5
4DWARD.....	7
The Seven Concepts Constitution	8
Introduction.....	8
Preamble.....	9
The Purpose	9
The Seven Concepts	10
The Absolute Universal Rights.....	10
Concept 1) Right to All Expressionism; Prohibition of Suppression or Oppression.....	11
Concept 2) Altruism, Right to All Necessities to Life Guaranteed Without Restrictions.....	13
2m_) The Optional Money System.....	40
Concept 3) Jubilee, Unhindered Altruism; or Prohibition of Restriction Systems	48
Concept 4) Right to Mercy; or Prohibition of Judgment, Punishment or Violation Over Others	56
Concept 5) Achievement of Harmony or Balance; or Prohibition of Subversion and Power Over Others.....	82
Concept 6) Transparency; Information Preservation, and Prohibition of Secrecy.....	97
6s_) Social Media “Bill of Rights”.....	102
Concept 7) Pacifism; or Prohibition of Offensiveness.....	104
The BOARD OF COUNCIL and/or ADMINISTRATION.....	108
Model 1 - Council and Administration.....	109
General Structure	109
Project Presentation (Petition) and Special Interest Councils	111
Modifications of Council Structures	111
Elections to the Council Members	112
Voting Rules	112
Board of Council Member Qualifications	113
Model 2 - Mentor System.....	113
Model 3 - Rotating Council System.....	114
Model 4 - 7C Compliant Governance by Artificially Intelligent Computer.....	114
Model 5 - King/Queen, Prince/Princess for a Day.....	115
Real Democratic Voting systems.....	115
Equitable/Proportionate Voting (Land or Resources).....	115
"Do you want to live in The Seven Concepts System?"	116
Land Disputes	117
Petition Initiatives.....	118
Preparing for 5D Earth.....	119
What happened to the 3D people?.....	120
What will 5D Earth be like?.....	120
The Reintroduction of Guild Socialism.....	120
Why Movements Fail.....	121
Annexation Through Occupy.....	121
How 7C Originated.....	122
Appendix A.....	124
Everything that's Wrong with The U.S. Constitution.....	124
Why the U.S. Bill of Rights is actually a “Bill of Punishments”.....	134
Vocabulary.....	140
Appendix B: FDR's Second Bill of Rights.....	142

The 7 Concepts Constitution (Version 4.1)
Let The People Of Earth Have Their Say,
Let Everyone Be A Leader Everyday,
The People's 7C Council Is Our Way,
Because We Are All Great In Every Way

Change For Good Will Never Come Through Punishment.
Heaven Will Only Come By Loving Others Through Forgiveness.
Your World Is Now Destroyed Through Personal Retributions.
Your Own Complacency Rewarded You With Tyranny.
Harming And Punishing Others Only Harmed Yourself.
Acting On The Outside Only Destroys You From Within.
But Forgiving From Within, Reflects Your Life From Without.

Love Is Unconditional Forgiveness,
And Giving Of Yourself To Those In Need.
This Love Created This Universe
And It Flourishes Through This Love.
This Is Why 7C Reigns The World Forever.

What if you could be a better beautiful person inside YOU.
What if you could understand that it's not about what others think of you, but if something inside you could free your whole being into another world, another state of mind, another force of free will, and being spiritually free beyond all present understanding.
You will know that inside yourself an increase in confidence so high, fear will completely disappear.
And then a miracle happens...
The Universe.

In this new constitution, we behold it clear, that this new confidence will be self-evident, and a new understanding that ALL are free of the tyranny of anything you can imagine.

(Many people erroneously believe money is the only way to get things. They believe in the hamster wheel of success, when it's really a prison.)
You can have it all without these imaginary limitations.

(Many people may feel this constitution is a satirical joke, but I'm completely serious about every single issue in it.)

***For any corporations, nations or religions mentioned in this document:
Remember, that you will be immortalized, and famed or tarnished forever.
This is your judgment.***

FOREWORD

If you love money, and think your salvation lies with getting rich, your world will literally be ending in catastrophe very soon. There is no help for you. You're stuck in hell (the trap of imaginary money and debt) and don't know it, nor will you ever see it forever. Goodbye. Otherwise, continue.

One of the elite's theories is that if you restrict people enough, make them strive, this will induce innovation and make things great again, because it appeared to do this in parts of history. This wasn't true in the dark ages under extreme wealth consolidation like now. Unfortunately, today they restricted us too much so we can't do anything, and this stifling has the effect of self-destruction of everything, even suicide. This imbalance just got way too much over the last few decades and defaulted to capitalism's greatest flaw: The "plastic carrot on the stick", which doesn't work.

The current capitalistic business model of the early 2000's is to absorb all the profits to the elites, while not paying employees sufficiently to survive, or to not give any money at all. This system will fail, so much that money will no longer exist in society. As of 2019, this functionally has already happened, but nobody is talking about it. Therefore, the only way for anyone to survive is to generously, with our hearts(Love), make products and resources on our own for everyone, and give them away. Forget about making money, because no one has any. This is what the 7C Constitution is about, surviving without money. It's too late to change this, or go back to the old ways, and we must learn the new ways to live in the New 5D Earth. The elites have already won their empty victory of winning the game of Monopoly, and they will never give their stolen money and property away. Let it rot in 3D, while we make new technologies and systems of living that elites can no longer participate in, manage, or control. This is 7C; true freedom, under the people's control. The tradition of Territorialism is abolished.

Meanwhile, the elites (corporations) think we are a burden on society, and think of us as a vermin pestilence, and want us eliminated, while they take the cream of the crop to do their hard labor. They even think the poor, jobless and those on welfare are creating hell for them, because they think we're leaching off them (which isn't true, because they leached off of everyone's labor for next to nothing, while keeping all the profits to themselves). They've also stolen the high technology from the ETs and reverse engineered it to live the high life. After all, what do you need lowly vermin for, if you can take all the super high tech, as these poor could only contribute as slavery. Unfortunately, like a bunch of drug addicts, you keep shooting down and stealing other ETs critical needs, becoming a pestilence to them. Many may see these as attacks by the elites, or even pests themselves, and eradicate these pestilent elites. So much for sociopathic Whetico. They don't survive, they're vicious predators, sick with total domination, and always destroy themselves.

The elites know they destroyed everything, and are only thinking of their own survival now, in vain. They know the entire system is collapsing to nothing, but they don't realize it's completely ending too, wiped out of existence. Everyone hates this 3D Earth. The elites fear apocalypse, and planned for it. The poor hate the poverty and can't wait for a new 5D world. Everyone hates the misery, pollution, injustice, turmoil, etc. and want it all gone. We are all creating this reality.

The 7 Concepts Constitution (Version 4.1)

The western people have been brainwashed into thinking that monetary wealth makes you worthy, and poverty makes you a failure. The media shames the poor teaching they are leaching off the wealthy, when the wealthy leached off the labor, not giving equal wages and an equal share of the profits. But, now most whites are in poverty, and now feel like they are scum of the earth, and think they did it to themselves. They are stuck in this deluded mindset, and don't know their way out. The truth is, you create your own reality, as you will see in 7C. There is a way out, and it doesn't involve money, but gives you more than all the money in the world can give.

I believe that one of the biggest flaws in everyone's thinking is, they think they need a leader to do everything for them, thus giving their power away to someone that will always take advantage of them for exploitation, or be so incompetent as to always fail the system. The old system treated you like an unruly child. This is not what 7C is about. 7C is about teaching you to be your own adult (or rather God), independently thinking and doing everything yourself, recognizing when you are getting scammed, and to break free of the enslavement of conformist thinking. You are all Gods, not servants to some rogue authority. You are stewards of the universe, to decide the correct thing to do, to preserve life, and not destroy it for greed, as in the past. If you want to live in any fear at all, 7C is not for you. You are no longer a child. If you are weaponized, fundamentalist, right-wing, political, or authoritarian, please leave, 7C will not welcome you, and will be eternally banished.

One very important note, The 7C Constitution makes sure everyone gets to live in their own political ideology, never forced to live under anyone's rule. The elites don't want that, and want us to remain enslaved. 7C is NOT the NWO, nor a One World Government. It is a rights system for the 4D and 5D world, making everyone sovereign unto themselves, but united as needed, abolishing all authoritarianisms. Also, most people appear to be quite lazy when new systems are introduced and give up changing to better ways, unless their current system is malfunctioning beyond total destruction. If you're going to go that far, 7C is probably not for you, because you have to work, change, and apply yourself from within to achieve real freedom. Otherwise, you let everyone walk all over you, and decide your fate into slavery.

7C is an amazing gift I am giving to the world, beyond anyone's imagination, to freedom and life on a level so high, we could achieve anything far beyond insanity. Don't pass this opportunity to become beyond the highest Gods of invincible beauty, like never heard of in all history and worlds in the universe. We have earned this, through all the enormous hardship and imprisonment of old 3D Earth, this is our reward. Be grateful, and Love this to the extreme, because Love is the key to achieving anything now. Directed Love is the new technology.

(New to version 4.1) You will get more than just your needs met. You will get far more than you thought you needed in 7C, an abundance far more than the capitalist scam of enslavement.

The U.S. and other governments are a manipulation and punishment system to control the masses for authoritarians, against the will of the people or their welfare. Every court is all about punishment, and nothing about rewarding for doing good. Virtually everything the 45th President of the U.S. has said in his presidency was complete BS. We can no longer have a single ruler over nations or lands for any periods of time, because of the travesty this brings. The tyranny of blind followers

The 7 Concepts Constitution (Version 4.1)

that one corrupt ruler gives, always leads worlds to their own self-destruction. Never again will we have one or small groups controlling huge amounts of resources as monopoly or collusion for personal gain. This has brought complete dysfunction to the masses, then destruction. CAPITALISM HAS FAILED! The education system is awash from the get-go with nursery lessons that lead them toward tyranny of authoritarianism. All people must learn to follow themselves. All ruler-ship belongs to the sickly insane, and will end.

4DWARD

Once this version (4.0) has been released, that Earth split will be too wide for 3D people to know about it in their timeline. If you have this and later versions of 7C, you will be entering, AKA “The Event”, or have already entered 5D Earth. Because the new Love Technology will be too advanced, but to those in 5D. *I will only be directing most of the new updates to 5D people.*

5D reality cannot be defined physically, because everyone fabricates it with their mind and fantasies. Anything is possible in 5D Earth. We make it up as we go along. All the magic we did in the past, every new thought or reality, every dream or vision, we are now doing in 5D. We are going to experience the most bazaar of everything happening, because everything of imagination is now reality, and fully encompassed in The 7C Constitution. You are about to experience the wildest ride of your life.

The current(passing) window for 5D ascension is before August 12, 2018. This occurs every five years, but the 20 year Earth biorhythm which is also the closing(main) window, is before August 12, 2023. Apparently, we could have had enough positive people to ascend or push into the 2018 window, but if this version of 7C gets out enough, the 2023 shift event will also occur. After this, 3D Earth will be wiped out and gone.

(New to version 4.1) Regardless, 4D people can shift into 5D when they are prepared and adjusted to go at any time in the future.

Much evidence shows we have already entered 4D Earth, ever since 2012 to 2016, and the actual population of Earth is around 1 billion. Have you noticed people have been disappearing, either dying, or just moving away? Everything is just less crowded. They have actually stayed in 3D Earth, and you have ascended into 4D. If you noticed the Mandela Effect happening around 2016, then you have shifted into 4D. 3D people didn't notice, because hardly anything changed for them, but you may have died in their lives. Many of us are shifting dimensions and finding people who died are now alive, because they ascended to 4D before you did. All the horrible fear based media you see is just an echo of 3D, and doesn't actually exist in your 4D world. Don't get wrapped up in them, because it's a trap to lock you in 3D. But nevertheless, we are now our own group and hopefully we can all ascend into 5D further, but some may chose not to, and stay in 4D for a while yet.

Feel like forgetting Plan B, and Plan A too, because nothing matters at all, and just melt away into oblivion. The moment is nothing, all is nothing, and just all is one. And yet this makes perfect sense. Don't prepare for anything, and all will be fine. This is what Nirvana is, and what everyone was supposed to do, to be content like this, and we all become the New 5D Earth, to our infinite. You can see it. Don't think of the weather outside, but see the weather inside, be unprepared, and that is the real reality.

The Seven Concepts Constitution

Introduction

The Seven Concepts Constitution, or 7C Nation, is a rights/ encouragement/ emotion/ consciousness based system, with an altruistic supportive council, designed to promote individual freedom and eliminate oppression. All people with ideas beneficial to the community will be heard, while the council and the people help to make it workable and harmonious to everyone, within compliance of The 7 Concepts. The people then decide by volunteer voting. No volunteers, or a 50% dissenting vote by the people only, are the only down votes. Checks and balances are built in.

The 7C Constitution, or 7C Nation, is a pantisocracy, a plebiscite, or a flat democracy with no hierarchical government structure controlling it whatsoever. All the people within the system are given complete responsibility to handle all the necessary functions of society. The people simply voluntarily distribute themselves into groups of jobs which they specialize in. The 7C Constitution or philosophy is for developing an altruistic, moneyless, and truly free society, to solve virtually any problem. Unlike other constitutions, this philosophy has been carefully design to act and operate as a whole, in harmony with one another, like a machine. No parts can be taken out, since it may have devastating consequences on other parts, rendering it to failure. The 7 Concepts function as a textual computer with endless possibilities of thought within it's matrices.

If you apply this system to other levels and disciplines of knowledge and philosophy, the same basic system of concepts can still hold true in the advancement or realization in that knowledge or philosophy. As each step is completed, the next step is far easier to achieve. The 7th step can be turned into the 1st step, making it, easier to achieve, continuing for however long you like.

*If you are somebody who likes most of the ideas in this constitution, and are thinking the people in power won't let us do it, just remember, "Nobody owns you." So do this with like minded people. I've been getting many excuses for not doing 7C, like the following: There will be many people who say "This system doesn't fix 100% of the problems, so I'm not going to use it" But it does fix over 95% of the problems, which is better than anything that ever existed. Many will also say "This system isn't realistic, and would never happen for another 100 years." But many people will practice it now, and leave the others behind. Many pragmatists will say, "It's too hippy new age." But even so, you are missing out on the greatest leap in humanity and human evolution, and besides, 7C needs to cover every possible harmonious ideology. We are finished living in the old 3D Earth hell, in homelessness and destitution, being harassed by authorities, and enslaved by a horrible system we never consented to. That life on Earth is just wrong. So you can either be stupid and keep the old failed authoritarian systems, or learn to do everything the establishment says you aren't supposed to do, and practice the true love that is the **NOW**.*

PREAMBLE

Video: https://youtu.be/R_fXuDjOHOM (from version 2.0)

Preamble

THE SEVEN CONCEPTS (7C) CONSTITUTION IS THE PEOPLE'S GOVERNMENT, never to be overruled by any other group or representation, and to allow the voice of everyone and everything to be heard equally, and with relevant force. In order to provide the freest, most efficient, harmonious, and non-polluting, moneyless/restrictionless, "Love" conscious creative society, **unifying everyone and everything, into oneness and equality**. It will be a Joint Entrepreneurial Partnership in which everybody is an equal entrepreneur, and everyone works alone or with each other in groups doing projects or creations in which they specialize in, and to promote a positive well-being in the rest of the universe. Also, to carry out the plan of the First Source/Creator, which we are all a part of. This could also be anything virtuous, whatever your goals are.

The Purpose

The main purpose is for learning, in all your lives, in all dimensions, in absolute freedom and harmony, so all can achieve Godhood, Sovereign Integral (*individual and united*), self-expression of your infinite self, or harmonious creational unity, replacing technology with Directed Love Consciousness as a construct. Our motivations are all about love, play, joy, and having fun, in every way imaginable, within all the things we do. Another purpose is to keep individuals or groups from controlling anyone, abridging anyone's freedom, or prohibiting anyone's free will, abolishing restriction or forced labor for any of life's needs; and in this freedom from tyranny, unifying everyone and everything, into oneness and equality. The Seven Concepts is a voluntary common rights system, ennobling 7C citizens with enforceable diplomatic immunity against all oppressors, empires, and violators of human rights, SUPERSEDING THE ENTIRE UNIVERSE.



Video: https://youtu.be/R_fXuDjOHOM (from version 2.0)

Concept 1) Right to All Expressionism; Prohibition of Suppression or Oppression

(Courage, to try something new)

[Imagine your reality; *Once a thought is created, it will be carried through, because every thought is an object of reality.*]

{To be a loving god is to give free-will.}

(To keep freedom from another is the ultimate sin, and those restricting power mongers will be self-rewarded with eternal nothingness.)

1. Every living being, thing, or object has the right to **Absolutely Free** and **Unrestricted** expression of, and **Unrestricted** access to the following:

1a) **Our Action Liberties:** Existence/ free will/ thoughts/ opinions/ speech/ expressions/ gestures/ blaspheme/ obscenity/ profanity/ criticism/ humor/ peaceful, then riotous assembly, and to occupy/ association/ philosophy/ instincts/ (17)

1b) **Our Literate Liberties:** literature/ information/ press/ writing/ pictorials/ video/ record/ holograph/ virtual realities/ pornography/ conspiracy exposure/ (11)

1c) **Our Personal Liberties:** display(cosplay)/ sounds(music)/ dance/ visage/ taboos/ tattoos/ hair style/ piercing/ addictions/ (9)

1d) **Our Social Liberties:** voting/ petitioning/ career/ teaching/ celebration/ games/ nonviolent sports/ hobbies/ recreating/ (9)

1e) **Our Public Liberties:** swimming(bathing)/ restrooms/ fountains/ hospitals/ access and use to all public: services, facilities, utilities, supplies(stores), buildings, places, dwellings, organizations, devices, vehicles, workplaces, and all unmentioned needs/ (16)

1f) **Our Lifestyle Liberties:** morals/ lifestyle/ common law marriage/ divorce/ polygamy/ polyandry/ polyamory/ group homes/ illegitimacy/ miscarriage(abortion)/ midwives/ adultery/ (12)

1g) **Our Sexual Behavior:** erotica/ sexual (or gender): behavior, masturbation,

The 7 Concepts Constitution (Version 4.1)

relations, games, exposure, nudity, look, or clothing, (9)

1h) **Our Sexual Liberties:** sexual: services, liberties, hormones & drugs (including libido, pleasure and psychedelics), modification, fetish, novelties, machines or orgasm/ (9)

1i) **Our Sexual Beingness:** consensual forced femininity/ genetic or body modifications/ gender extremeness/ transgenderism/ spiritual: gender, race, identity or practice/ encasement(*zentai*) fetish/ (10)

1j) **Our Spiritual Liberties:** spiritual practice/ non-public prayer and worship/ consciousness/ hallucinogens/ meditation/ esoteric science/ dimensional/ temporal/ seclusion(right to be left alone)/ sensory deprivation/ (11)

1k) **Our Psychic Liberties:** mysticism/ psychics/ psychomanteum viewing/ virtual, artificial or quantum realities/ telepathy/ spirit mediums/ psychometry/ telekinesis/ levitation/ flying/ pyrokinesis/ healing/ teleportation/ (psychic) projection/ shape shifting/ transmutation/ enchantment/ materialization/ prediction/ hypnosis/ hypnotic regression or progression/ reincarnation/ benevolent fascination (*mass hypnosis*) or psychic influence/ witchcraft/ (26)

1l) **Liberties Against All Authority:** enforceable right to say “No” to another's will or authority/ symbol, anthem, or flag desecration/ defamatory or threatening gestures/ defamatory or threatening: language, comic, or laughter, towards any authority or politician/ boycott/ labor strike/ sabotage (*toward employers*)/ graffiti/ (12)

1m) **All Other Personal Liberties:** new age arts/ astrology/ numerology/ insanity/ witness/ performance/ replication/ (7), or any idea in every way, shape or form imaginable.(158 total count)

All above interactions and combinations to be parametrically conjoined with the following:

Regardless of age, race, creed, sex, disability, or any difference imaginable; regardless of time, place, or any context imaginable; provided any other living being's rights or free will is NOT violated, coerced or prohibited; without retribution, condemnation, defamation, consequences, or discrimination, by any individual, group or organization, public or private, regardless of organization, affiliation or deeds; while permitting unrestricted free/fair-use or reuse, and duplication. Everything must be respected in all these manners, regardless of whether anyone knows why they exist, because nothing is more or less important than anything else.

(We believe Civil Rights are our birthright. Our Constitutional government establishes a framework to provide and expand rights and freedoms—not restrict them. To this end, we must protect and restore all the Constitutionally-mandated rights to all our citizens, including voting rights, freedom to worship without fear of intimidation or harassment, freedom of speech, and protections for all citizens regardless of race, gender, age or disability. We honor and respect tribal laws and jurisdictions. - #WomensMarch, See also 3l)



Concept 2) Altruism, Right to All Necessities to Life Guaranteed Without Restrictions

(Appreciation)

[Embellish your reality with details.]

{To be a loving god is to give freely of yourself without expecting anything in return.}

(To hoard needs to life from others in need is the ultimate sin, and those gluttonous greedy slobs, in a world of plenty, will be self-rewarded with eternal destitution and starvation.)

(When you have extreme wealth consolidation and resource hoarding, when the creative people have no access to these resources and are forced into destitution, you have a society that ends down into a complete dissolving of humanity into a caveman. The feudalists, capitalists, neo-liberals, Koch libertarians, believe in this philosophy which always ends into the dark ages. Sure the people at the top prosper for a short time, but what good is having everything, but having no knowledge to do or make anything in the end. The feudalistic argument claims to create growth, while guild socialism [the means of production controlled and owned by the people only] extinguishes it in stagnation, but in reality, an extreme imbalance of either ideology actually extinguishes growth. Extreme feudalism of scarcity, restriction, and competition, creates another stagnation, which always ends. But a balance of both, providing all needs to life[altruism], and limited competition, creates the greatest growth of all. But sociologically, if you look at women today, most only want men for their wealth and power, so creating a man that wants it all, competing to get her, thus leaving the sociopaths to destroy everyone, and many times, every planet always ended when this happened. But now that money and capitalism is abolished, we no longer live under the threat of destitution by squander, because altruism is guaranteed. - RL)

(Embellish your reality with details: See how everything in this Constitution is

The 7 Concepts Constitution (Version 4.1)

becoming reality, because I wrote it all down, and now we are actually getting it. I made a petition for everyone to sign as a pledge to themselves to create this system. Most of them never realized how good The 7C Constitution is, and don't realize it is getting improved all the time, but the motivation for many of the things they like in 7C is happening now. Congratulations to all, because 7C is here now. - RL)

2. Absolutely all personal and public needs used for survival and living a luxurious life must be provided for and absolutely free (AT NO COST), and guaranteed without restrictions. Provisions for maintaining happiness through self-maintenance, self-perpetuation, self-love, and self-gratification, are required. The following items are enforced and guaranteed:

2a) Unrestricted Love. A World Holiday every Sunday, to celebrate our union in marriage. A worldwide buffet, where everyone is invited, and not left behind, to party and enjoy themselves. (*My father left me behind, and punished or tortured me for 11 years, and I didn't know why, at the time. He thought by neglecting and torturing me, he could seek revenge against my mother, through me, as a proxy. I will never let this happen again to anyone in a world of cornucopias. Because, the elites did the same thing to everyone. - RL*)

(*Saying the word "Love", it feels like most everyone just says it like a greeting, without real actual substance. This is almost abusing the word into a meaningless phrase. When I mean Love, I mean in the actual practice of all the actions that shows it without saying "Love". You must show it as a new paradigm shift in a new level of consciousness, as a way of life, as I have defined in the heading of each Concept, and more. Much like peace as a religion. And, we shall use Love as a technology to our creations in 5D Earth, in our new found magic to bring imaginations into reality, instantly.*)

The New Love Technology is Directed Love; Meaning, as groups or tribes of like minded people, the outlying meditators will direct their love energy toward a central group to create anything, this can be done right now, and will be more powerful in 5D Earth. An event like this has already happened in the late 1970's and early 80's, with The Montauk Project doing time travel, but they used male homosexual energy tainted with fear, instead of wholly love, then directed this toward one individual in a orgasmically induced supersensible state, which programmed a machine to create quantum objects, realities and time travel. But instead we don't need the machine so much to amplify the quantum objects and realities in 5D. You can research this on the same book title and series by Preston B. Nichols and Peter Moon.

The measure of success is not through acquiring huge amounts money, because those people stole it, and bought everything with it, and it's never satisfying. But if you create everything through mental, orgastic, or supersensible creation, that is real success, because you didn't cheat to get it.

When you have restricted thinking, that defaults like a fundamentalist, as in 3D Earth thinking, and has it's own signature of antipleasure. Orgastic pleasure is the fundamental principle behind 5D creation, the Love Technology.

All the following ideas are coming to a head in 5D reality: Orgasms[with the intent to create], supersensible, Montauk, pleasure, expansion of sexual diversity, androgynous sexuality, pornography, hallucinogens[natural], transgenderism, [Wilhelm] Reichian orgastic energy, the whole body as a sex organ, Kundalini energy

The 7 Concepts Constitution (Version 4.1)

(non-sex orgasm), etc. Everything creates 5D reality, in the total construct of this list.

The Collective Subconscious says, "We have been creating pieces of the New Earth all around you, and they are constructing 5D Earth. You just can't recognize them yet."

The pleasure of creation is an orgasmic state, in that the meditation of your concentration is heightened consciousness, and the working creation is the orgasmic release. Supersensible makes you orgasmic all the time, but without the pleasure. Your orgasms as pleasure are nullified, except to create a reality of objects to appear.

The Montauk Project, had to hold the orgasmic energy just before the release, to create the reality at full consciousness, actually the supersensible state, or the full "Out", as they put it, inside the time tunnel. The energies of the Montauk Boys was based on fear; the wrong energy tainted the mix, when it should have been based on love, a harmonious mix, because the intent should be a positive outcome.

As groups or tribes, of people join their orgasmic energies, this creates a morphic field to unite the energy to a full large creation. The concentration of those with detailed skills makes the reality coherent and connected to the former technology. Otherwise, a foundational construct must be created to make a coherent system unified as a standard. Reality is a completely fabricated construct. There is no one idea that is the foundation for anything. Nothing is predefined in 5D Earth. - RL)

(Balance of our orgasmic sexual nature, then embellishing it to the extreme, creates a whole universe, literally. But to cause extreme imbalance, like what happened to the patriarchy in the past, caused the destruction of all. Many ET's have resorted to the solution of limitation, by desexualizing, or hermephradizing themselves, but the EXTREME SEXUALIZING with the balance of ourselves, is not just a solution, but a breakthrough to a whole new universe and dimension never before realized.

Getting to higher dimensions is not about progressing, like it's a race to the finish, that's 3D thinking, like getting more money makes you improved, but it doesn't. It's more like a dictionary, where one wor[l]d leads you to other wor[l]ds, and so on. So each new wor[l]d is another dimension, or revelation into whole new universes. None are any more or less than the others, but pathways to even more fantastic realms of reality. Don't pass up Disney Land, then pass up Disney World, then pass up every other playland, when you could have enjoyed the wonderful universes to help you grow into beings never before witnessed or even comprehended. Each dimension is not a level, that's just a label we put on it (3D, 4D, 5D, etc.), but a dictionary of infinite wor[l]ds or places, actually universes.

5D Earth isn't just a new planet, it's a new universe that we just created, and it's more than that, but we haven't even imagined what it is, because we are making it up as we go along. This is why Earth is changing the whole universe.

When we travel into other universes or dimensions, it's not like linear progression, like frequencies, but thoughts. When the aliens are observing us from "higher" dimensions, they are not actually higher, but more like we labeled them window #1, window #2, and so on, but are just labels. But, Earth densifies us in 3D. The universes are a set of constructs. Your mind adjusts to merge into that universe's reality, then you are there. Ascension is an eternally long series of awakenings. - RL)

(We are committed to embodying and practicing justice, liberation, and peace in

The 7 Concepts Constitution (Version 4.1)

our engagements with one another. - #BlackLivesMatter)

2b) Materials, resources and production to provide a high quality of life. *(As we have all our resources and needs for free, we don't complain about doing things for others, while not getting anything directly in return.)*

2c) Unrestricted Virtuous Creation, with Love. *(To create everything with your heart and soul for the best expression of any creation. AKA, meraki. Think of how music feels so much better when the musicians play from their heart. Or software isn't made for greed, you don't get crippleware, annoying registrations, ads, or spyware, and is actually done right. Everything is freer when it's given away. - RL)*

2d) Unrestricted and Free Travel, Flying, Teleportation, Transportation, Infrastructure and Parking, using clean, non-fossil fuel technology, devices, and techniques. Driving is a right that cannot be revoked.

(We have found that far too many people have had their [license suspended for failure to pay fines](#). The system is unfairly stacked against the poor, and we need to drive to get to work, otherwise we can't survive. Over 10 million people lost driving privileges because of poverty, including myself, for unaffordable insurance rates, and not having city or plate stickers on a car I never drive! Why? It's not for unsafe driving, because I don't have any moving violations. And we have no recourse to fix it. Also, driving on a suspended license was one of the top charges for people going to jail. And then, there are "anti-scofflaws" which prevent people from working without a drivers license. The economy has become stifled or destroyed by 10 million out of work, because of punitive draconian crazy insane laws! Welcome to America.- RL)

(For new technologies, we can use Dennis Lee's Freon based heat extraction, with pneumatic drivers. Another is vortex magneto electrolysis, converting water to hydrogen fuel with just exhaust heat and a magnet in a double wall vortex tube. - RL)

(Germany is the first nation to provide free buses to everyone. - RL)

(Advance Economic Development: we support economic development in Indian Country and believe in investing in infrastructure. We believe we should investment to upgrade our roads and bridges, drinking water and wastewater, freight and passenger rail, and electric, telecommunications and broadband networks, and more. This effort will create and maintain millions of jobs across the country. The investment would go a long way to address the "digital divide," because lack of internet access means Native American communities are at risk of falling even further behind in their ability to access employment, educational, and other opportunities made available by modern information technology. Lastly, all federal grants open to state and local governments will also be open to tribes. - #OurRevolution, See also [2e](#), [2f](#), [2i](#))

(Putting at least 13 million Americans to work by investing \$1 trillion over five years towards rebuilding our crumbling roads, bridges, railways, airports, public transit systems, ports, dams, wastewater plants, and other infrastructure needs. - #OurRevolution, See also [2e](#), [2w](#))

2e) Unrestricted Non-central Free Energy Systems, and infrastructure. *(We can congratulate Germany for being the first nation to have a completely free electricity system. They have proven it can be done. - RL)*

(New energy systems are based on love, joy, and pleasure. We don't know yet how this is possible, but 5D has a weird physics that makes this happen, like magic. We've

The 7 Concepts Constitution (Version 4.1)

always had energy systems based on fear and death, or the exploitation of everything, like vampirism. This time our energy systems are based on supportive constructs, like love, joy, pleasure, play, etc. We will never drain the life out of anything, but energize all things into light. Healing is now a transformative of 3D into 5D energy constructs.

If I give my energy and efforts away freely to everyone, and everyone else does the same, it exponentiates and grows, because I can get everything for free to continue my innovations to give away. The old system of exploitation and hoarding drained everyone, then killed them.

When you have everyone restricting the land and resources, it creates a prison, because someone greeds for money, then dies with nothing, because no one has anything to give, and this creates a desert of death.

The rich have created their own prison by imprisoning the people from resources, but it became a ball and chain on themselves. Their stash is dead weight. Their bunkers locked themselves in forever in their own bottomless pit and burial, along with their own useless obsolete stash. Their money has no value, because the new **Restorative Energy System** of love and joy doesn't need it. - RL)

(Energy systems by color: [This doesn't have to apply only to physical electricity.]

Black: Systems that extract energy without replenishing them into death, like a vampire. Eg. Fossil fuels, wood, oil, coal, etc. nuclear fission, burning.

Green: Systems that absorb energy without waste, destruction, or extraction, taken without interruption of life, or nature. Eg. Wind turbines, solar, geothermal, waves, hydroelectric dams.

Blue: Biologic systems that use chemical reactions to generate energy without waste, and are recycled into the system. Eg. Chlorophyll, hemoglobin, sugar, glucose, sucrose, sugar fuel cells.

Yellow: Magnetic systems that use tesla coils and high voltage resonant magnetic fields to extract heat or zero point energy from the surroundings. Eg. Dirac Sea, HVAC(Dennis Lee), Joe Numann motor.

Brown: Magnetic vortex systems that ionize chemicals in a high temperature magnetic vortex for burning in a combustion engine, similar to black, but not extracting fossil fuels, but still requires an initial fossil fuel to start. Eg. Water engine.

Other forms of energy: Electrical, Sound[7D], light, thermal, scalar[gravitic], magnetic, chemical, love[5D] or emotional, volcanic, magnetic vortex. - RL)

2f) Unrestricted and Free, Food & Water (without fluoride, chemicals, and other drugs), Air (without chemicals), Light, Heating, Cooling, Fridge, Cooking, Kitchenware, Toilet, Bathing, Clothing, Laundry, Towels, Bedding, and Personal Needs. (An important note, 5D people don't need to eat as much food, and can actually eat nothing at all as they get their energy from all around the environment.

The questions homeless people have for the rich representatives are:
How many years of experience do you have shitting in a five gallon bucket? Or not having toilet paper? Or, not taking a shower, while trying to keep clean? Or, not buying or having a mattress? Or, not cooking your food? Or not having water, heat, shelter, etc.? All these things, everyone takes for granted, have never been addressed by representatives of the US Government. Yet over 2 million people in America deal with these questions every day. Shame on you for getting your cushy job, and catering only to the rich. These things in 2f should be an absolute right for our dignity.- RL)

The 7 Concepts Constitution (Version 4.1)

2g) Harmoniousness with the Cosmos or Prime Source. (No Pollution, Loudness, or Disturbing Peace.) Use and produce non-toxic materials or byproducts when possible. Avoiding things like gas powered yard equipment, because of the extreme noise and air pollution. *(Electric solutions are much cleaner, quieter, and 4x more efficient.)*

2h) #FreeHousing Unrestricted and Free (no tax, rent or mortgage) Personal (or Personal Space), Habitable, Private, and Secure Dwelling, House, or Shelter, and Free (no tax, rent or mortgage) Land Property Ownership. And, the right to be nomadic in any way, with free spots or parking for our dwellings, and free public amenities for personal care. And, eliminate the confusion of acquiring or keeping a home, without discrimination. And, we must be free from invasion of our personal space of solitude and seclusion. *(It's absolutely essential that we have a stable home to raise a family. - RL)*

(Being homeless personally, is worse than being crucified, at first. Having everything taken away from you, and then getting the bums rush all the time. We didn't make any mistake. But the rich punish the poor anyway, calling us scum. It's just the bad economy, the lack of support to help us out of it, and the punishment that people and laws put us in, like we had money, but don't. The people that do have money have no clue how hard it is, then treat us with penalties 10x more than we have. Then once you do get some money, you have to catch up replacing things lost or worn out. It's 10x harder getting anything back. - RL)

(If you look at the gentrified housing, most of it is vacant, used for tax shelters for the rich. The rich who made them, and kicked the poor out of their homes, don't care for the poor homeless. That's the most despicable shame. - RL)

(Reinvigorate federal housing production programs. Over the past decade, the federal programs that build affordable housing for families, for the elderly and for the disabled have been decimated. Nobody disagrees that we need to address the deficit, but it is absurd to balance the budget on the backs of working families, the elderly, the disabled and the poor. We must return to pre-2010 funding levels by ending sequestration and invest more, not less, in affordable housing. - #OurRevolution)

(Defend Fair Housing. The sordid history of housing discrimination is a stain on our collective conscious, and for fifty years the Fair Housing Act has provided critically important legal protection from discrimination because of race, color, national origin, religion, sex or disability. And yet, Republicans have tried over and over again to defund efforts to affirmatively promote fair housing. We must push back, defend and strengthen the law, and make sure we never again tacitly condone housing discrimination. - #OurRevolution)

(Demand more from Affordable Housing Developers. Housing that is built with government subsidies should remain affordable much longer than the 10, 15 or 20 years typically required by federal housing programs.)

Repair Public Housing. We need sufficient funding for public housing operating and capital costs, and we need to reduce the unacceptable backlog of public housing capital needs.

Expand Housing Choice Initiative. We need to increase funding for the housing choice voucher program to target families who need support the most and to provide

The 7 Concepts Constitution (Version 4.1)

greater economic stability to the more than 3 million households struggling to remain in safe, secure and affordable housing today. - #OurRevolution)

(Support First Time Home-buyers. We should expand the Department of Housing and Urban Development and USDA Rural Development assistance programs for first time home-ownership, particularly through down payment assistance, loan guarantees and direct loans.

Expand Pre-purchase Housing Counseling. Study after study shows that people who receive counseling before buying a home are more likely to succeed at home-ownership. Housing counseling is a good investment in families and communities. - #OurRevolution)

(Reinvigorate HARP. The Home Affordable Refinance Program was designed to assist homeowners who are current on their mortgage payments but owe more than their home is worth, by allowing them to refinance their underwater mortgages at lower interest rates. While the average homeowner saves about \$2,500 per year; many people who theoretically qualify have not benefited because of various barriers and inadequate outreach. - #OurRevolution)

(Improve Housing: fight for increased local control over the administration and operation of tribal housing programs and for full funding of the Indian Housing Block Grant Program. - #OurRevolution)

(Restore Tribal Lands: All tribes must have the right to protect and restore their lands. We support streamlining the land-into-trust process and work to reverse the Carciere Supreme Court decision that resulted in an unjust two-tier system of tribes. - #OurRevolution)

2i) #FreeTuition Unrestricted, Absolute, Totally Free, and without Limitations; Information, Internet, WiFi, Communication, and public or private Education (like Finland)(With free chauffeured limousines, gourmet meals [made and served like in the White House or buffet, *not like 45*], all supplies, computers and books, documents or media, without bias.); and their unrestricted distribution, infrastructure and preservation. *(India gives free high speed WiFi, and phone service to everyone. - RL)*

(When in 5D Earth, we will discover special crystals in the ocean, that we will use to communicate like cell phones. We just think about the person we want to talk to, and we talk. These will be free and abundant to all. - RL)

(Make tuition free at public colleges and universities. - Stop the federal government from making a profit on student loans. - Substantially cut student loan rates. - Allow Americans to refinance student loans at today's low interest rates. - Allow students to use need-based financial aid and work study programs to make college debt free. - Fully paid for by imposing a tax on Wall Street speculators. - #OurRevolution) (Student loans should be dissolved, because they were a scam. - RL)

(Strengthen Education: In order to create economic opportunities, we must invest in education from early childhood through higher education. We must fight to fully fund the Bureau of Indian Education and strengthen self-determination to enable culturally tailored learning, unique to each tribal nation, and help to retain qualified teachers for Native youth. We should build upon the "all of government," integrated work of the Generation Indigenous initiative to ensure that every Native American child can reach their full potential. We should fight for plans that allow students to refinance federal debt, lower interest rates, triples federal work-study jobs, and

The 7 Concepts Constitution (Version 4.1)

provides for free college tuition at all public colleges and universities. - #OurRevolution)

(Connect Integration with Educational Programs. Immigrant integration occurs in our schools, our workplaces, and in the community at large. Our Revolution's policies to make public colleges and universities tuition free, raise the minimum wage, expand Social Security, and make it easier for workers to form unions will benefit all Americans, regardless of immigration status. In addition, we must foster increased access to English as a Second Language instruction, and early learning programs for children. - #OurRevolution)

(Making tuition free at public colleges and universities throughout America. Everyone in this country who studies hard should be able to go to college regardless of income. - #OurRevolution)

2j) Unrestricted Art, Music, Recreation, Pleasure, Drugs, Mindfulness, Sleep, and Dreaming; Including amusement parks, party/night clubs, race tracks, fashion/drag shows, concert halls, museums, galleries, games, seasonal festivals, [Lollapaloozas](#), fairs, brothels, kinky trans/sex clinics/services, burlesque, orgies, paranormal/meditation, spas, public beaches, resorts, nature parks, etc.; participation is mandatory for joy. Also to have emphasis on extremeness, unity and opposites (fish out of water) of gender, physicality, identity, or any difference, for each indulgence, to learn growth, empathy, creativity, and discovery with us all. *(Please, I urge you, don't miss out on the opportunities to experience all the pleasures of life. Do all those things, the sexual pleasures religious fanatics tell you not to do, they don't own you. Do Cosplay, be a prostitute, be with one, get a sex-change, be the ultimate sex toy, be everything, but most important, never miss out, because you will be kicking yourself after this life saying I wish I did this or that, when I had the chance. Life is about pleasure, suffering and experiencing it all. Nobody owns you, so they can only tell you no, based on some ridiculous dogma. Ignore them, be it, do it, and live it, because it's your life, not theirs'. - RL)*

(We are committed to acknowledging, respecting and celebrating difference(s) and commonalities. - #BlackLivesMatter)

(We are committed to practicing empathy; we engage comrades with the intent to learn about and connect with their contexts. - #BlackLivesMatter)

2k) Unrestricted Social Contact and Affection (Tenderness), regardless of manner, especially between the same gender, or [child & adults](#), or human & animal, or human & plant. The creation of frequent [affection parties](#), to break everyone of the fear of being close to each other. Or, [Tenderness Clinics](#) for those in need, (like in Japan). It's OK for men to feel emotional and cry about anything; Reward them. *(The major problem is overcoming the fear of being persecuted for being called a pedophile, or being called homosexual, both have been highly punished and stigmatized over, thanks to insane persecutorial fundamentalists. Unfortunately, this has caused the unintended consequence of a violent culture in the West. - RL)*

2l) IF NEEDED, Compelled, but Uncoerced and Safe Humane Creative Labor or Production, that always must be fun, and growth regenerative, but not repetitive assembly (work replaceable with automation), and not exploitative and vampiristic. Containing 3-20 (36 ABSOLUTE MAXIMUM) hours per week, [with a minimum 12 weeks per year paid leave, without obligations or attachments](#). Work conditions must

The 7 Concepts Constitution (Version 4.1)

be safe for all beings, including refraining from injurious sports activities, and have humane child usage, (like acting). See 5bm. The workday must include unrestricted personal breaks. Career opportunities are non-biased for any personal characteristics, except for in 2as. Monetary systems must uphold everything in the 2m series of rights. See also 5bl. *(No job is more or less important than any other, because they are all needed to run everything. Someone who works without making money is not lazy, they're practicing Contributionism, or the Gift Based Economy. People aren't measured by time or money they make. - RL)*

(I am a pauper, meaning: I don't like working for anyone in the gig economy, because they stiff me, or pay me shit. Especially when they know I get no income, and I still have to pay for everything like everyone else. Paying people zero for hard labor in a monetary economy, when nothing is free, is a bad shitty way to treat people for slave labor, and is vampiristic. And, they still have the nerve to call us "lazy". We don't care to be "lazy", because we are free, and we make everything ourselves for free. We either get a completely free world, or fuck-you greedy freeloading lazy vampire elites. We aren't tolerating you anymore. Money is gone, You elites are GONE!

The only way for me to make money is to sell stuff in my own one person business. People never donate to anyone in real need, or they get scammed with some sob story, that somebody famous or a rich republican got hurt. I only see them getting donations, AND NEVER TO DEMOCRATICS. - RL)

(The best way to solve high problem "crime" areas, is to provide livable wage jobs to keep from poverty, and make sure all needs to life are free, thus absolutely equal wages given to everyone, worldwide, like 2md, and an equal distribution of profits to all, like 2me. - RL)

Absolute Law: It is required that everyone have a minimum "Leisure Time" of 132 hours a week. No one will make another into a time slave, not even to yourself. *(It's INSANITY to work over 100 hours a week.)* Anyone forcing another to work more than 8 hours/day will be vacated 4fl.

(We believe in an economy powered by transparency, accountability, security and equity. We believe that creating workforce opportunities that reduce discrimination against women and mothers allow economies to thrive. Nations and industries that support and invest in care-giving and basic workplace protections—including benefits like paid family leave, access to affordable childcare, sick days, healthcare, fair pay, vacation time, and healthy work environments—have shown growth and increased capacity. - #WomensMarch, See also 2n, 2am, 2as, 2at, 2au, 2md, 2me, 2mn, 2mo, 2mr, 6f)(*Exclude if not critical, and foolish otherwise. THIS IS DEADLY IMPORTANT because millions will die!)*

(Millions of American employees have been working 50 or 60 hours a week while receiving no overtime pay. The Administration's new rule extending that protection to everyone making less than \$947 a week is a step in the right direction. It is a win for our economy and for our workers. - #OurRevolution)

(Creating 1 million jobs for disadvantaged young Americans by investing \$5.5 billion in a youth jobs program. Today, the youth unemployment rate is off the charts. We have got to end this tragedy by making sure teenagers and young adults have the jobs they need to move up the economic ladder. - #OurRevolution)

The 7 Concepts Constitution (Version 4.1)

2m) #FreeHealthCare Unrestricted and Free, Health/Medical Care, Dental, Vision, Hearing, Sexual, Trans, Mental, Spiritual, etc.; Therapies, Genomics, Drugs, Herbals, Biotics, Devices, Holistics, Psychic Healing, Somnambulistic Healing (QHHT, Quantum Hypnotic Healing Technique), Spa, Extreme Novelties, and anything proven to extend life, or ease pain and distress. No one will have restrictions from loved ones. Insurance is abolished. **All discrimination and medical bills are abolished.**

(Currently, the American Republicans have used poverty, the repeal of ACA, and extreme drug costs, as a weapon to commit genocide by passively killing over 291,000/yr. - RL)

(UNIVERSAL HEALTH CARE. Healthcare is a right, not a privilege. To truly ensure every American has access to quality, affordable health care, we need to fight for a Medicare-for-all, single payer system. Until that happens, we must make sure insurance companies and providers are not discriminating against those with HIV/AIDS, including when it comes to drug coverage. - #OurRevolution)

(Fully fund and expand the VA so that every veteran gets the care that he or she has earned and deserves.

Substantially improve the processing of Veterans' claims for compensation.

Expand the VA's Caregivers Program.

Expand mental health service for Veterans.

Make comprehensive dental care available to all veterans at the VA. - #OurRevolution)

(Improve Healthcare: healthcare is a right. We should support a Medicare-for-all system that would complement the healthcare provided by the Indian Health Service. We need to work to fully fund the Indian Health Service, strengthen regional management and recruitment of committed IHS health care personnel, demand audits of IHS operations, and ensure that Native Americans have adequate, safe, and affordable access to primary care providers, including oral health and mental health practitioners and substance abuse treatment options. - #OurRevolution)

(Guaranteeing healthcare as a right of citizenship by enacting a Medicare for all single-payer healthcare system. It's time for the U.S. to join every major industrialized country on earth and provide universal healthcare to all. - #OurRevolution, See also 2l)

(BETTER COVERAGE. We support creating a federally administered single-payer health care program. Universal single-payer health care means comprehensive coverage for all Americans. A solution for healthcare needs should cover the entire continuum of health care, from inpatient to outpatient care; preventive to emergency care; primary care to specialty care, including long-term and palliative care; vision, hearing and oral health care; mental health and substance abuse services; as well as prescription medications, medical equipment, supplies, diagnostics and treatments. Patients should be able to choose a health care provider without worrying about whether that provider is in-network and will be able to get the care they need without having to read any fine print or trying to figure out how they can afford the out-of-pocket costs.

GETTING HEALTH CARE SPENDING UNDER CONTROL We outspend all other countries on the planet and our medical spending continues to grow faster than the rate of inflation. Creating a single, public insurance system will go a long way

The 7 Concepts Constitution (Version 4.1)

towards getting health care spending under control. The United States has thousands of different health insurance plans, all of which set different reimbursement rates across different networks for providers and procedures resulting in high administrative costs. Two patients with the same condition may get very different care depending on where they live, the health insurance they have and what their insurance covers. A patient may pay different amounts for the same prescription depending solely on where the prescription is filled. Health care providers and patients must navigate this complex and bewildering system wasting precious time and resources. By moving to an integrated system, the government will finally have the ability to stand up to drug companies and negotiate fair prices for the American people collectively. It will also ensure the federal government can track access to various providers and make smart investments to avoid provider shortages and ensure communities can access the providers they need. - #OurRevolution)

2n) #FreeHealthCare Unrestricted and ready access, Procreation, Birth control/Abortion by choice (*Fact: The soul is reincarnated within the first 2 breaths after birth. Misconception: The soul is NOT created at conception.*)/ sperm, ovoid(egg), stem cell, embryo, or any genomic preservation/ Pre & postnatal care/ Childcare, Birthing, Miscarriage, Parental, Family, Caregiver, and Transgender leave (*with indefinite unlimited benefits*)/ Adoption, Sexual care, and Marriage; regardless of consanguinity, gender, or any characteristics; without retribution, condemnation or discrimination. And to be provided medically accurate unbiased healthcare and sexuality education. Religious fanatics have no right to shove their philosophy down everyone's throat. (*What is so ridiculous with single issue voters who are anti-abortionists is, abortion has nothing to do with their personal life, but completely lacked the foresight that they bargained their entire life's needs and freedom away, in exchange for this one issue. - RL*)

(We believe in Reproductive Freedom. We do not accept any federal, state or local rollbacks, cuts or restrictions on our ability to access quality reproductive healthcare services, birth control, HIV/AIDS care and prevention, or medically accurate sexuality education. This means open access to safe, legal, affordable abortion and birth control for all people, regardless of income, location or education. We understand that we can only have reproductive justice when reproductive health care is accessible to all people regardless of income, location or education. - #WomensMarch)

(Requiring employers to provide at least 12 weeks of paid family and medical leave; two weeks of paid vacation; and 7 days of paid sick days. Real family values are about making sure that parents have the time they need to bond with their babies and take care of their children and relatives when they get ill. - #OurRevolution, See 2l)

(Enacting a universal childcare and prekindergarten program. Every psychologist understands that the most formative years for a human being is from the ages 0-3. We have got to make sure every family in America has the opportunity to send their kids to a high quality childcare and pre-K program. - #OurRevolution, See also 2t)

(Sign into law the Equality Act, the Every Child Deserves a Family Act, and any other bill that prohibits discrimination against LGBT people. - #OurRevolution)

(Expand and protect the reproductive rights of women. Expand funding for

The 7 Concepts Constitution (Version 4.1)

Planned Parenthood, the Title X family planning program, and other initiatives that protect women's health, access to contraception, and the availability of a safe and legal abortion. - #OurRevolution)

2o) Unrestricted and Free, Harmonious Industrial Development, Computers, and Devices.

2p) Internal Peace Preservation, or Prevention of Personal Violence and Social Disorder; regardless of relationship.

2q) Individual or Group Competition. (No Monopolistic Behavior!) Any time the essentials of life functions provided by a business becomes a monopoly, (like internet providers), they will become dismembered into public ownership. Common functions will be commonly used without monopoly. Business mergers are abolished.

2r) Unrestricted Virtuous, Science, Philosophy & Spiritual Development.

2s) Security through preparedness, Emergency Services, or Defense.

2t) Free care and provisions for the elderly, children, infirmed, transgendered, orphaned, and physical/mental/spiritual oddities and norms; self-determined end-of-life care, embryo care, and self-termination. Also, to uphold the support to those caregivers involved herein.

(We recognize that women of color and Indigenous women carry the heaviest burden in the global and domestic economic landscape, particularly in the care economy. We further affirm that all care work--caring for the elderly, caring for the chronically ill, caring for children and supporting independence for people with disabilities--is work, and that the burden of care falls disproportionately on the shoulders of women, particularly women of color. We stand for the rights, dignity, and fair treatment of all unpaid and paid caregivers. We must repair and replace the systemic disparities that permeate care-giving at every level of society. - #WomensMarch)

2u) #FreeSpeech UNRESTRICTED, FREE, NEUTRAL, AND UNCENSORED COMMUNICATIONS (all cussing is allowed).

2v) Unrestricted and Free, Postal, Parcel and Freight Delivery. Homeless and nomadic people are guaranteed a P.O. Box. No one shall be penalized for not having a mailing address, or having undeliverable mail.(Such as, banks charging for recursive undeliverable mail.)

2w) Nonpolluting and closed loop Waste, Water, Sewage, Garbage, Energy, Salvage and Recycling Systems.

(Fight Climate Change and Promoting Environmental Protection: For instance, Sen. Bernie Sanders' climate change plan to transition away from fossil fuels to a 100 percent clean energy system is a plan that we support. We must end fracking for natural gas and mountaintop removal coal mining. - #OurRevolution, See also 2d & 2e)

2x) Regulated, Protected, and Safe food (certified and labeled as non-GMO), drugs, herbals, and consumer products, except for novelties. (Like the Food and Drug Administration.)

2y) All legacy status and unions (civil and labor), from prior systems are fully recognized.

2z) All new building construction must be green, renewable, solar, etc. *(Convert ambient A/C into geothermal, to prevent/reduce overheating of the local climate. Also*

The 7 Concepts Constitution (Version 4.1)

geothermal and solar heating to supplant the gas and fossil fuels used in heaters and cooking. - RL)

2aa) #RightToVote Voting day or period will be a local, geographical, or world holiday, with pay (if it exists) and mandatory participation for all people and ages.

2ab) Drug addicts must get FREE drugs and supplies, rehabilitation, enhanced recreation, and subsidized jobs. All illegal drugs will be legalized, freely grown, regulated, and free with prescription. (Like Portugal)

Also, added to the rehabilitation treatment, the relearning of meditations to cause the same stimulation as the substance abused. (e.g the rose cross meditation causes the same effects as Peyote or Ayahuasca, but without the vomiting or other side-effects.)

(This is proven to eliminate 99% of burglaries, thefts and any monetary crime, because drugs are illegal, this makes them expensive, and drug addicts need to feed their addiction with theft of everyone's hard earned property. Then the people in the prison and security fields don't want to give up their profiteering, so they lobby to continue to make drugs illegal, at the expense of the tax payer and frustration of theft victims. They don't care. This was rooted in Nixon seeking retribution against his protesters of his Vietnam War, by making cannabis and cocaine illegal to imprison blacks and hippies. Now crime is worse than ever in history, by over 3x. And it may be much higher, because people give up reporting after several thefts. Executing dealers and users without due process, will make it even worse. If you don't think we need to change the system, try suffering the loss of months and years of your hard labor to these drug addicts, or even your children stealing from you, to feed their drug habits for a day. The frustration is enormous and agonizing knowing you can't get your possessions back, because of some uncaring asshole jerk that can't understand they ruined yours and everyone else's life. What's worse, from personal experience, is they continuously sell off and steal everyone's life away till you literally have nothing left, destroying your life. Then they move on to the next person, and do the same thing. You can't get rid of these predators until it's too late, and the damage is way beyond anything you know, even losing your home. This literally happened to me. There was nothing I could do, but be glad they died, it was that horrible, because I'm homeless now because of them. Once they start on you, they're an infestation worse than anything you can imagine. Befriending a betrayer is like cancer; it eventually kills you be eating you into exhaustion, and you can't avoid them. To those who think I'm stupid, if I didn't go through this horrible experience, I wouldn't understand how to get rid of this major problem. - RL)

(Drug use should never be treated as a criminal issue, nor a medical issue unless addicted. It should be used as a guided experience journey. Because the human brain is hundreds of drugs, to experience countless journeys, none of which is wrong, except violating others. As mentioned, the Rose Cross Meditation produces the same experiences as Peyote or Ayahuasca, but for free. If we can find the meditations and practices for each experience, we no longer need to buy or manufacture the drugs that are abused, we self-create them. And nobody has to go through the horrible life destruction drug abusers cause. We can also use QHHT to end the addictions, and actually transform their bodies and reverse the damages done by the drugs. Then create new structures and habits to free them from addictions forever. - RL)

The 7 Concepts Constitution (Version 4.1)

(Since most drug abuse begins when people are young, we should have drug treatment programs in schools to break addictions, and give clean free drugs so they don't steal from everyone, while keeping drug dealers from doing business, and making gangs and violence. Enhanced Recreation is extremely important, because people get stuck in a mindset that drugs are their only means of enjoyment, when studies show environments with the choice of high leisure stimulus activity (joy, like in 2j) or free drugs, they always pick joyful things, and not drugs. Mental activity is a diversion from drugs. America is awash in drugs, with extreme poverty with no means for real enjoyment or mental stimulation, so they pick drugs, becoming stuck in chemical addictions. Look how America has fallen away from amusement parks, skating rinks, or creational skillful hobbies. They've become mentally dead since the 1960's. You must give them alternative means to enjoy themselves other than drugs, and relieve the stresses of poverty, then drug dependency will disappear. Heal 3D problems by transforming them into 5D constructs. - RL)

(The funny part about this, is when you tell people about making drugs free, the drug dealers always out themselves by saying 'No', not realizing they are the only ones to object to it, because they make a living off of it. - RL)

(EXPANDING SUBSTANCE USE AND MENTAL HEALTH SERVICES FOR PEOPLE LIVING WITH HIV/AIDS AND AT RISK FOR HIV. We need to build on the implementation of President Obama's National HIV/AIDS Strategy by significantly expanding access to mental health and substance use disorder services by protecting and expanding community health centers, which provide key behavioral health and substance abuse services to more than 1.3 million patients. We must also support access to mental health services at community mental health centers. - #OurRevolution)

2ac) Real serial rapists must get free pornography, sexual aids, sexbots, prostitutes, and rehabilitation. *(This is proven to prevent rape through satiation, then boredom. No Joke! Religious nuts like to add the false assumption that they will leap to rape. Actually, suppressing sexual instincts and openness causes more damage to everyone, and causes the most rape incidents. - RL)*

(Many women like to use rape accusation as a tool of manipulation over men, and cause men total destruction of their lives. Rape will no longer be criminal, and never be punished. The girls who cried wolf can't be believed. On the other hand, all people have the right to protect themselves from sexual assault, as in 4av. #MGTOW) (We can also have colonies, where actual rapists live with nymphomaniacs and prostitutes, harmoniously together happy. Given that they are outed on sex offender lists is killing them, by not allowing them to survive or get an income. That's just cruel. Stop the punishment, forgive and fix the problem with 5D thinking. - RL)

(The reason why men are violent is because men never got affection when they were young, or perhaps their entire lives. And this stems from women being afraid of or abandoning men by being too selective and running away. Studies show that violence among the population at large, is caused from the lack of social contact or affection as children, like in 2k. The cure for violent men is women overcoming their fear of men [a 5D construct], which is difficult, because women run away from violent men. Except, if the young women didn't play hard to get, this problem of frustrated violent men would never have come in the first place. - RL)

The 7 Concepts Constitution (Version 4.1)

2ad) #AbolishGuns All proven lethal/harmful weaponry, programs, replicas, and media presentations, will be destroyed worldwide with no retribution. All beings have a right to avoid being killed, being necessary for life. (*We have a right to control irresponsible gun owners, that could affect us coming through our walls, and from lead and uranium poisoning.*) (*Gun buyback programs have some success in eliminating many. Most guns are owned by those near their life end.*) (*One problem with violent media is this causes everyone to be numb to it, and indoctrinates a sociopathic lack of empathy against killing, especially in young people. This is a horrible twisted dysfunction of society that must be eliminated. Hollywood is nothing more than advertising for mass shootings. NRA, military and police brutality. This must end.* - RL)

2ae) ALL ARMIES AND NAVIES WILL BE MADE OF PACIFISTS ONLY; doctors, nurses, engineers, construction, farmers, rescue, aid, etc. used to create things and heal others for the mercy of all, without harm, and required to give love, aid and comfort to the enemy. Following Concept 7 is required. (*If you want to join the military to kill and break things, you are sick, and we don't want you. Only 5D constructs are allowed.* - RL)

2af) The news-media is only publicly owned, accessed and controlled, in a non-biased fashion, without vested interests, while commercials and advertising is prohibited. The news media must only present facts with evidence and proof, or be expunged. It is mandatory that Progressive and all ideas be presented everywhere, non-biased, and never denied, nor forced. The destitute and silenced ideas must be presented. (*Like this constitution is silenced by all media and we need your help to distribute it.*) Also, to have programming appropriate for children.

2ag) Whistle-blowers and Information Leakers, will be highly praised and rewarded, without retribution.

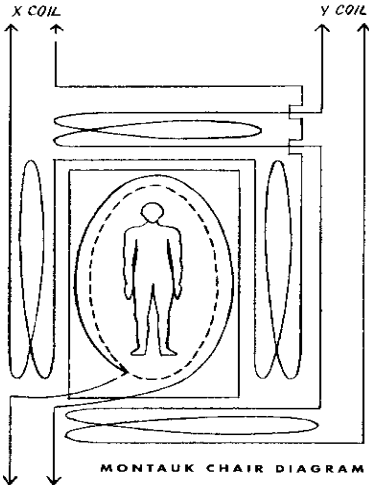
2ah) Unimpeded and uncensored access to all extraterrestrial information, communication, equipment, technology, relations, artifacts, philosophy, etc. on any planet or area of space. (*Because they gifted it to everyone, not just to the elites.* - RL)

2ai) Unrestricted development of psychic abilities for everyone.

2aj) Right to achieve super-sensible consciousness, using the Rose Cross Meditation, described in Rudolf Steiner's, 'An Outline of Esoteric Science'. (*This is a critical part of living in 5D Earth. The app is [here](#), and the PDF file is [here](#). This is how you get to the First Source without religion. If you claim to be so spiritual, then prove this doesn't make you into a Christ-like being, view the consciousness in all things, and have an IQ of 50,000. It seriously does, because I've done it. You can even do this with Peyote or Ayahuasca. When supersensible, you can see the consciousness in everything; get instant access to all the knowledge of anything thing in the universe; your consciousness is raised to where every part of your body is as conscious as currently between your eyes; your consciousness is extended far beyond your physical, by many meters; and this will allow you to achieve any form of psychic ability imaginable. **When you achieve this, you will officially be a Christ Being.***

What happens when you are supersensible, all the DNA in every cell of your body is actually a computer, that runs, with a technique I call Frequency Domain Holographic Computing. Your DNA is like a fiber optic, with the data encoded into the Nucleotides as frequency markers. When a set of frequencies, thoughts or

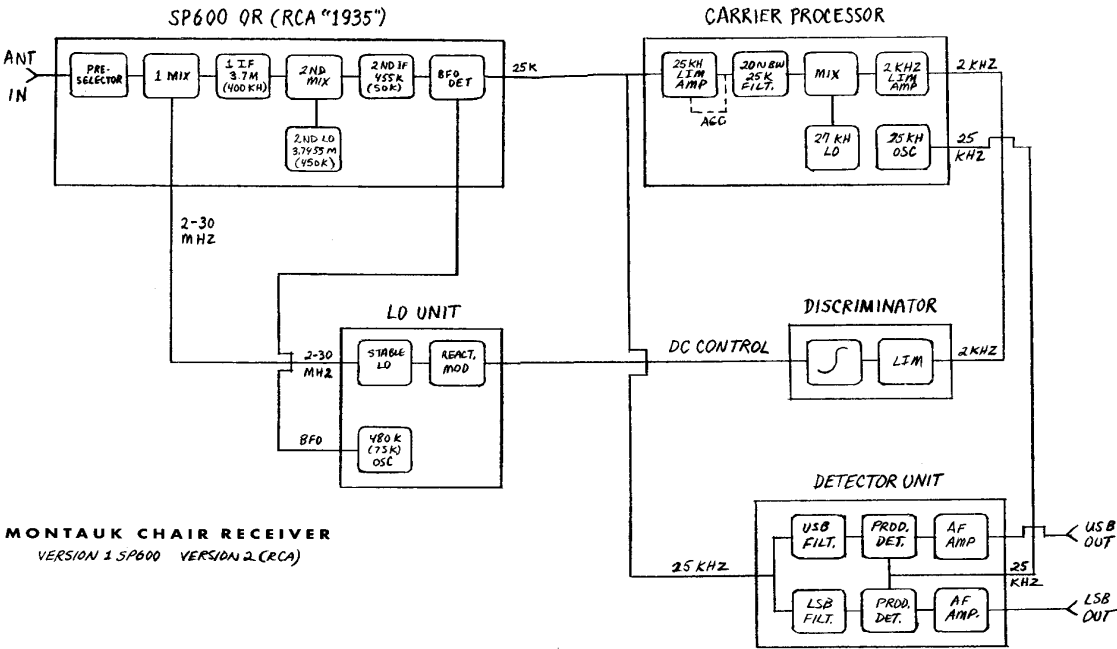
The 7 Concepts Constitution (Version 4.1)



memories occur, it runs through the DNA strands and either encodes the DNA or triggers new thoughts much like a hologram. The encoding capacity is nearly infinite. When you are supersensible you activate all your DNA and generate frequency fields to make anything happen.

This can be picked up in a special 3-axis coiled chair enclosed in a Faraday Shield, from the auric field produced by the DNA at frequency ranges below 30MHz. Illustrated in the schematics below. We can program computers to read our thoughts, then translate them into a powered output that amplifies our thoughts into anywhere to create artificial reality, objects, mind control, telekinetics, dimension-space-time travel, etc. The neurological

window frequency for that magical activation is around 435MHz \pm 10MHz and all the harmonics above it. This was done in the Montauk Project as pointed out in the schematic, at the transmitter outputs, in the schematics in 2a. It's also how the mind control technology in 5bp was created, using magnetics at 435MHz.- RL)



MONTAUK CHAIR RECEIVER
VERSION 1 SP600 VERSION 2 (RCA)

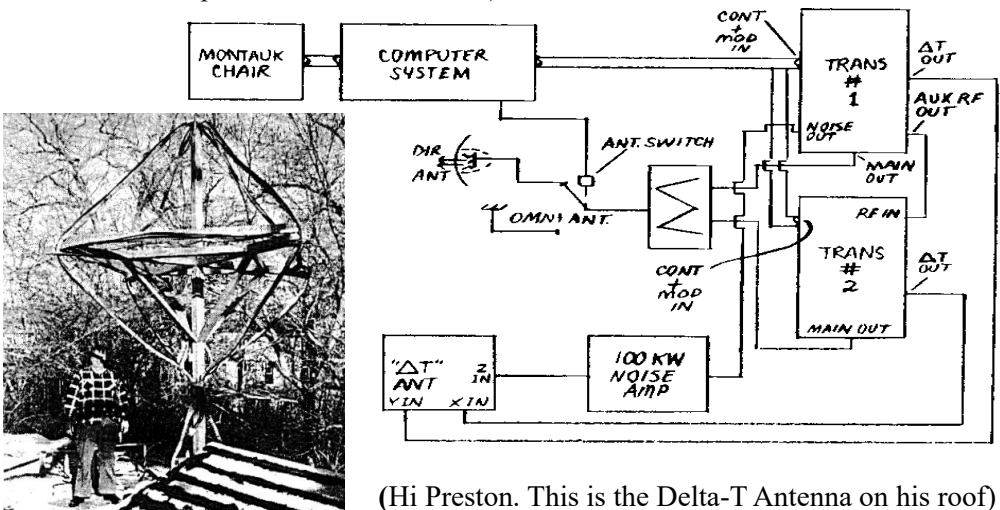
2ak) Unrestricted travel into space, and onto celestial bodies. (How is [FTL]Faster Than Light travel possible? Looking at Robert Lazar, and the alien disk he worked on, it involves the folding of space-time with scalar waves [produced by the destructive interference of EM waves], or the amplification of the gravity toward the destination. A wormhole is created, where time does not function, or is severely slowed down in. The ship merely travels a short distance, as if nothing happened, and

The 7 Concepts Constitution (Version 4.1)

you are far away 1000's of light years, instantly, with no time difference. Simple. - RL)

2a1) Unrestricted access and use to Space-Time or dimensional travel machines (such as The Montauk Project Technology [From Preston Nichols] using Quantum Reality with Delta T-Antenna) and abilities (such as Merkabah formation), including personal space-time-dimensional jumping, with unlimited travel after Aug. 12, 2018.

(To those questioning whether space-time-dimensional travel is possible, Yes it is and has been done frequently by everyone in the universe. Time doesn't really exist, therefore we transcend it with no rules or limitations. Time is all imaginary, and folding space-time is just a construct of imaginary gravity amplification stopping imaginary time through a wormhole. We just step in a few feet and we are far away in the next planet or galaxy. The tools that Montauk used was just a construct to get us a mechanical or meaningful understanding to make it work, because of the artificial limitations we imposed on ourselves. - RL)



2am) All jobs must be enjoyable. If they are not, you must quit. Or, if an employer is not fair, the employee may sabotage the employers' product, equipment or business.

2an) Anyone found crying in sorrow, gets stuck in hospital, birthing, or birthdays, gets a happy party in their honor.

2ao) #AnimalRights All food product processing, fishing, mining and industrial production, must be safe from harming all sentient beings or animals. *(Soon we will find everything is sentient.)*

2ap) #AnimalRights All animal facilities must have absolute transparency to the public. All facilities abusing or killing animals will be terminated.

2aq) All meat and dairy products eliminated from diets to prolong life by 40%, decrease most health problems, and eliminate the majority of fresh water consumption. *(These are all proven facts.)*

(Because vegans are not getting a critical molecule from poultry, they will die sooner than they should. But then again I don't care to live long in Earth Hell, so I eat for pleasure, whatever I can get, and enjoy what feels real. The tactile feeling and taste is something more real because your body breaths it in, like liquid and solid

The 7 Concepts Constitution (Version 4.1)

osmosis, to yourself. Feel the DNA messages and codes in all you eat, because that is real. Become that which you eat, because in the end, you are the universe. - RL)

2ar) #FreeHealthCare All proven lethal/harmful pharmaceutical drugs/chemicals will be abandoned. All good pharmaceuticals are free. The pharmaceutical drug philosophy will be replaced with homeopathic, herbal, psychic, hypnotic, alternative, etc., health care. *(Since medical malpractice is the 2nd leading cause of death, does the western medical/healthcare system shorten lifespans? As so, medicinal drugs are the cause, and alternatives are needed. - RL)*

2as) WARNING: No one can be discriminated from any job for any reason, except for conditions that may cause death or health problems for the masses. CAUTION: In order to have the safest and highest quality job done, the best person for the job will be chosen to achieve it, and not based on any characteristics whatsoever. *(This is to prevent the space accidents. THIS IS DEADLY IMPORTANT because millions will die! From Nostradamus)*

2at) Any activity, job, career, or occupation, that causes distress or unhappiness upon others or themselves, is prohibited.

2au) Free funeral services, ceremonies and memorials. Burial grounds are forever sacred, and prohibited from desecration. Bereavement/ Mourning is a guaranteed paid (if used), personal holy period.

2av) Sustainable communal gardens, farms and greenhouses for food and material production free for everyone.

2aw) All essential manufacturing, goods and services, to be local.

2ax) #LGBTQ Free and Unrestricted access to hormones, clothing, devices, aids, therapy, healthcare, education, name and gender changes on IDs, training, modeling examples for our new body (porn), personal facilities and complete full body sexual treatment/surgery of transgendered or sex/gender/romantic anomalous people, regardless of age or mentality, without restrictions, retribution, violence or discrimination, and be openly discussed, practiced, and protected, without censorship, and to have all the above performed in any extreme fantasy possible. All gatekeepers are abolished. DCFS (Department of Child and Family Services) has no right to prohibit any children from transgender affirmation.

(I felt transgendered at the age of 8, and cross-dressed at 11, but nobody knew or understood it at the time. I lived in such fear of being punished for it, and I was punished and humiliated when I got caught, FOR BEING MYSELF! Why do I and other children have to suffer with being forced into not being ourselves, because we don't conform to the transphobic religious fanatics. It is a right for everyone to be the gender they desire to be, since nobody owns your body but you. - RL)

(Their is an issue of Doing-It-Yourself, prescriptions, that may be dangerous, but this problem is because of the gatekeepers, that refuse to use modern approaches. The full complex of naturally compatible glandular hormones should be given first after puberty, then wait some six months until you can pass, should you start looking the part. The old stupid way was the opposite, way too much therapy, do the embarrassing cross-dressing now, and waiting 2 years for cancer causing artificial hormones, and at least until they were 18, while their natural hormones ruin their body, causing more dangerous surgery to correct this later. - RL)

(Contribution Note: Since there are no LGBTQ political groups with platform

The 7 Concepts Constitution (Version 4.1)

issues to contribute to 7C, I am left with the choice of representing them. I have tried to get LGBTQ feedback, (Susan's Place.), only to be "shown the door", so to speak, because LGBTQ people have been attacked severely and killed, enough to run away and hide from rights solicitation and activism for themselves. I tried. Fortunately, I am the most ostracized type of LGBTQ, a Trans Lesbian Gynophile. The fear is too much for them to even help themselves, but I'm fearless. - RL)

(We firmly declare that LGBTQIA Rights are Human Rights and that it is our obligation to uplift, expand and protect the rights of our gay, lesbian, bi, queer, trans, two-spirit or gender non-conforming brothers, sisters and siblings. This includes access to non-judgmental, comprehensive healthcare with no exceptions or limitations; access to name and gender changes on identity documents; full anti-discrimination protections; access to education, employment, housing and benefits; and an end to police and state violence. - #WomensMarch)

(Work with HHS to ensure LGBT Americans have access to comprehensive health insurance which provides appropriate coverage and do not have to fear discrimination or mistreatment from providers. - #OurRevolution)

2ay) (Castle Doctrine) Unrestricted Privacy or private personal space of solitude, and freedom from judgment of personal lifestyles, mannerisms, or any other differences.

2az) All groups with so-called "terrorist intentions" will get their message heard and get all their needs met, provided it does not violate the 7 Concepts. See 2ae. *(Suppression of terrorists makes them act out more, because needs are not met, thus the worst solution is to fight them. Have mercy and Love them instead. This concept may not apply to the alt-right supremacists, because they do it for hate. Therefore, they get 4f1. - RL)*

2ba) #LGBTQ Unrestricted public lavatories (toilets, restrooms, bathrooms), and locker rooms, regardless of chosen gender, without being attacked or harmed.

2bb) Preservation of public lands, forests, prairies, swamps, rivers, oceans, lakes, waters, atmosphere, etc., where wildlife lives in its natural form, so natural resources are preserved for sciences, medical, spiritual, indigenous peoples, etc. growth, never to be exploited for political or profitized, gain, greed or pollution, and protection from noise.

(We believe that every person, every community and Indigenous peoples in our nation have the right to clean water, clean air, and access to and enjoyment of public lands. We believe that our environment and our climate must be protected, and that our land and natural resources cannot be exploited for corporate gain or greed—especially at the risk of public safety and health. - #WomensMarch)

(Environmental Violence - Perpetrated by Polluting Industries - People of color disproportionately experience a daily assault on their health and environment. Communities of color are the hardest hit by air and water pollution from industrial factories, power plants, incinerators, chemical waste and lead contamination from old pipes and paint. At the same time, they lack access to parks, gardens and other recreational green space. - #OurRevolution)

2bc) Be grateful you received free gifts and mercy, and don't complain about and punish those who give freely.

2bd) Those in the vast underground cities all over the world, will house and

The 7 Concepts Constitution (Version 4.1)

provide for, (including the advanced technology), all the homeless and destitute, and their reward will be a reprieve from their own self-destruction. *(You will be saved.) (After you do a Google search on “Ozark underground cities”, you’ll wonder why they did it, with 50% of the black budget, of “your money”, and drug money. They wanted to nuke the rest of the world, and wait 5 years, with 10% left, being the elites of course. The problem is they lacked the foresight to realize the fallout would be 1000’s of years before they could safely come out to live. Just in North America, since WW2, they have constructed over 125, averaging 4-8 cubic miles each. - RL)*

2be) Everyone has a right to be as emotional as they want. Reward them. Embellish the music, art, vision, sensation, or anything that makes you cry or feel emotional. It’s all OK.

2bf) Fix the problem, not the blame. There will be no "mei ban fa", meaning, no solution, or can't do anything about it, in Chinese. Thus, we have 2bg, because we can fix anything. *(There are a lot of stupid people that mess everything up, even after the problem is fixed.)*

2bg) Worldwide Grievance Holiday, the 1st of every month, for everyone to publicly tell the problems of society. The 2nd we will figure out how we can improve, fix or change them. The 3rd, we will share the solutions with the world. All groups have a right to be heard or petition, with any effected 7C Council, to address the people *en mass*, just as in 1a and 1d. *(Heal with 5D solutions.)*

2bh) Diversity or non-conformity, is the ultimate expression of humanity, in body, mind, thought, art, form, spirit, emotion, or anything imaginable, thus will not be abridged, to create the Central or First Race. *(This goes contrary to the Wingmakers' idea of unity. But, I feel we must have diversity, but still working and living together. Many feel the Rainbow is LGBTQ, or God's Judgment, but for me it is Diversity.-RL)*

(We see ourselves as part of the global Black family and we are aware of the different ways we are impacted or privileged as Black folk who exist in different parts of the world - #BlackLivesMatter)

2bi) Reuse Stores that are free to exchange anything still useful, and food and clothing stores that are free for all.

2bj) Families that are composed of every possible configuration needed to support the growth and upbringing of children, in their heritage of choice.

(We are committed to disrupting the Western-prescribed nuclear family structure requirement by supporting each other as extended families and “villages” that collectively care for one another, and especially “our” children to the degree that mothers, parents and children are comfortable. - #BlackLivesMatter)

(Protect Sacred Places and Native American Cultures: Native Americans must be empowered to maintain and pass on traditional religious beliefs, languages and social practices without fear of discrimination or suppression. Native children are the future of tribal nations; the Indian Child Welfare Act is critical to survival and must be enforced with the original intent of the law. Further, tribal cultures, sacred places, religious practices, and landscapes must be federally protected. - #OurRevolution, See also 2au, 2bb, 2bk)

2bk) Honoring the elder generation in their wisdom to guide and teach the younger.

(We are committed to fostering an inter-generational and communal network free

The 7 Concepts Constitution (Version 4.1)

from ageism. We believe that all people, regardless of age, shows up with capacity to lead and learn. - #BlackLivesMatter)

2bl) Every place on Earth and the universe, is to be considered one nation united, but individual people, Sovereign Integrals, without restrictions to travel anywhere. No places are restricted, like free access to Area-51, and all the underground cities.

2bm) Maintaining a medical and healthcare system based on prevention, epidemic prevention, and creates real cures, and eliminates a pharmaceutical system with costs that gouge people out of their livelihood.

(EXPANDING THE RYAN WHITE HIV/AIDS PROGRAM. We need to fight to expand the highly successful Ryan White HIV/AIDS program which provides HIV-related services for those who do not have sufficient health care coverage or financial resources. It was unacceptable that at the height of the Wall Street crash, many states had long waiting lists for the AIDS Drug Assistance Program. Especially when so many people were losing their jobs and their life savings, people should not have had to wait for the life-saving treatment they needed. - #OurRevolution)

(EXPANDING THE PRESIDENT'S EMERGENCY PLAN FOR AIDS RELIEF (PEPFAR) AND ENDING THE AIDS EPIDEMIC. We need to fight to end the AIDS epidemic by doubling the number of people on HIV treatment worldwide by 2020. The President's Emergency Plan for AIDS Relief (PEPFAR) has been an incredibly successful program, currently supporting antiretroviral treatment for more than 9.5 million people. But that is only a fraction of those worldwide who need treatment. More than 22 million people with HIV/AIDS do not have access to the medicine and support services they need.

STOPPING BAD TRADE AGREEMENTS LIKE THE TRANS-PACIFIC PARTNERSHIP THAT WOULD SUBSTANTIALLY INCREASE PRICES FOR HIV/AIDS DRUGS. A major reason why the fight against the disastrous Trans-Pacific Partnership (TPP) is important is because it would significantly increase prices for HIV/AIDS drugs for some of the most desperate people in the world. At a time when prescription drug prices are skyrocketing, the TPP would make a bad situation even worse by granting new monopoly rights to big pharmaceutical companies to deny access to lower cost generic drugs to millions of people. - #OurRevolution)

2bn) The source or collective subconscious (SC), is within us all. Communication with our SC is essential, and will unite all people as one, because we are all aspects of one another. The SC will guide us to the truth, and away from the lies of selfish negatives (eg. Elite Republicans).

2bo) If you get too wrapped up in the toil of making ends meet for your own life and need, STOP, and selflessly do things for others to improve theirs. Because in the end, personal toil is the selfishness blinded to you by elites, and selfless giving of yourself gives new vision to all.

2bp) THE ABOLITION OF RELIGIOUS AND POLITICAL DOGMA, because it always destroys the world, especially when it causes the separation of everyone.

2bq) Free access to age regression technology, elixirs, life extension, etc. (*such as with Preston B. Nichols' work, [time locks, etc.], not to mention his knowledge in the Montauk Technology.*) 5D People are already immortal, infinite, and we can shapeshift to any appearance we like.

2br) All people are required to take an all expense paid vacation for 2 weeks/yr,

The 7 Concepts Constitution (Version 4.1)

over 10,000km from their residence. (This is to alleviate the problem of local stagnation, encouraging inspiration to get things done. Given how most Americans don't go on long distance vacations, the corporate media doesn't report on anything overseas but negativity, they are lied into believing America is the greatest land in the world, they are overworked with minimal pay, they are apathetic or complacent in participating in the government, social activities, giving aid, etc., and this has caused them to be sedentary compliant mental zombies, with extreme ignorance in how far behind they have become. And so, it has caused a fascist oligarchic coup d'etat to run rough shod over their entire life into enslavement and destitution without even realizing it. For example, Americans still use toilet paper, while the rest of the world uses bidets; The transportation infrastructure is still 50 years behind; They still evict people, and are forced to pay property taxes, producing the highest homeless rate; They still pay the most for their internet, while getting the worst service and speed; The utilities are frequently shut off, throttled, penalized, and overcharged, because of non-payment and other political leveraging; and countless other things. - RL)

2bs) We all have the right achieve our full genetic potential with hormonal keys, such as gender, and more. (We can be both male or female in about 1 year of taking the desired hormones. There is nothing wrong with this, as we can also change back to a degree. Separatist Religious dogma would have you think there is something wrong with this, based on some old outdated texts, to restrict our full potential. But used responsibly, why is it wrong? There is so much that we don't know yet, but are only beginning to discover about who we really are. We are incredible beings on the cusp of finding out our full potential. There is no reason to stop it. It's who we really are. Think of the doors that are opening to us as we can be anything with our genes. We haven't got a clue what we can really do, because we are all infinite gods, unaware of our true genetic library THAT WAS GIVEN TO US in that "junk" DNA. Just open the door and we will stumble upon invincible stuff. - RL)

2bt) High Quality Initiatives & Standards must be rigorously tested for, in all manufactured products, and awarded. (Given how the Chinese made products that are so horribly manufactured, and nobody even tests the finished product in the field, to see if it works, to see if all the bugs and kinks are worked out, to see the durability, to see the endurance, everything they make is junk. This just makes a waste of everything, when we have to throw it away soon after we buy it, and endless challenges to get Chinese made goods to work right. In the end, nobody wants your product. It's a miracle that the Chinese space program even works. This was the same when the Japanese manufacturing and goods were also called "Junk" back in the 1940's and 50's, until [W. Edwards Deming](#) came to them in 1951 and induced them to techniques to make the highest quality products in the world. Now we can't get this any more unless we look hard, and we may not get this quality because imports are too restricted. Every year Japan awards the Deming Prize for "Recognizing businesses worldwide for excellence in applying the principles of [Total Quality Management](#)", thus producing the best products in the industry. - RL)

2bu) Uniqueness in individuals for a diversity in survival or ways of living, to be celebrated and awarded. (There is a problem where people are stuck in a rut too much, and they become too attached to what everyone else is doing, like Smartphones, thinking jobs are the only way to live, thinking food is the only way to

The 7 Concepts Constitution (Version 4.1)

get energy, thinking thoughts are the only way to think [I know that's funny, but it's true.], etc. But understand the universe is filled with such an extreme diversity of living, your imagination pales, if you only knew how much exists. Being unusual makes people ask questions and they want to know, where they can get it, or how to do it. But if they ask for me to do it for them, I try to avoid it, and encourage them to do it themselves, because things aren't as hard as they think, and they learn. And I don't get attached to them. - RL)

2bv) Expanded infrastructure and devices, for economical transportation, bicyclists, pedestrians, segways, etc. Personal transportation devices, bicycles, segways, scooters, electric cars, etc., will be given for free. Trains, buses, and all public transportation is free of charge. *(Since losing my drivers license, I've had to use my bike for transportation, and now longer distance transportation, since I added a motor to my bike. Going over 5 miles, has been some challenge finding adequate pavement and pathways to get to my destination, especially crossing highway interchanges, and along fast roadways. This can be dangerous, because these are the only ways to get through places. We have problems of bicycles and such, getting stolen, by drug addicts, therefore, they will never be charged a fee or sold for money, but be given for free. Auto theft is also a problem, therefore, only non-polluting vehicles will be given for free. - RL)*

2bw) To all males practicing MGTOW (Men Going Their Own Way), they will receive free and unrestricted sexbots, prostitutes, pornography, virtual reality, games, virtual spouse, etc., to provide adequate sexual release of their primal instincts. *(Here's the problem with sexbots. You will not be able to experience the consciousness you can sense with normal humans. It will require a special ritual of enchantment, as in 1k, to implant a small portion of the human soul within the sexbot to achieve this. They will then be sentient. - RL)*

(MGTOW: The List of Why are Men MGTOW:

- *Women only want men for their money, making all women into prostitutes.*
- *Women marry into money to divorce him to take half of his hard earned life away, and get alimony.*
- *Women usually get child custody in divorce without allowance for visitation, then force men to pay child support, and get jailed if they can't pay.*
- *Women refuse to give men affection (tenderness) as women are the only meaningful source.*
- *Women accuse men of rape as a tool of revenge, because the rape laws are setup to ruin a man's life forever.*
- *Women don't work and provide money to relationships.*
- *Women can attack men freely, but men are punished for attacking women.*
- *Women get countless privileges that men always have to work for.*
- *Women get all the extreme luxuries and pleasures men aren't allowed to have, and it's ingrained in culture to make men feel shameful if they do.*
- *Women get exclusive camaraderie in women only groups, keeping men out, but men can't have the same, forcing inclusion of women in men only groups.*
- *Women refuse to get an intelligent education to provide a meaningful productive use to society. In short, they are morons for nothing more than their appearance.*
- *The list goes on.... We can make a book on MGTOW and the faults of women.)*

2bx) Everyone shall enjoy the guilty pleasures in life, the stuff of expense, posh and luxury for all. *(When I was an abused and neglected child, I was never allowed to*

The 7 Concepts Constitution (Version 4.1)

partake of the luxuries, and expensive food, so I snuck the food, and good stuff they never would let me have, or thought was too good for me. Why they dishonored me was not my fault, but I was the product of someone they hated. So they punished and tortured me 11 years for it. Now I have pets, and sometimes when I can, I spoil them with delicious things they love, give them much affection. They deserve it, and love me in return. It's funny how dogs fight over each other when I give one of them affection. - RL)

2by) Marriage shall only take place when all partners are romantically in love with each other, in the state of an elated higher consciousness, as soulmates were meant to be. Marriages will never be for materialistic or prearranged reasons.

2bz) Black people will be taught to keep their neighborhoods clean from litter, and refrain from tossing trash anywhere at will, and to encourage self-respect in body, mind, health, and personal space. *(Why do we only see this in black areas, and actually witnessing mostly black people tossing trash out their car doors into the street? This is a disrespect, resentment, and frustration of how people treat them in society, so they retaliate in self-hate in filthing themselves, like a suicide, or self-defacement. We need to encourage and teach self-respect within the black communities, because they have been the most disrespected of all. Because they don't know any better, this seed must be planted within them. I'm sick and tired of having to patch my bicycle tires every few months from running over broken glass, or having glass stuck in my shoes, cutting my feet, because people don't have care enough to throw their liquor bottles in the trash, but throw them out their car window. It costs us a lot of hassle and injury.*

I know, many black people hate themselves so much, they take constructive criticism as highly insulting. But being so, do you have any better suggestions? Or do you prefer being stuck disrespecting everyone for eternity. You create that reality on yourself. Look at the symbolism taken literally, with glass in our feet. - RL)

2ca) All consumer goods must be designed for maximum durability, endurance, longevity, repairability, self-repairable, and recyclability, to create the least waste and environmental impact possible. *(Notice that many things that are beneficial or harmonious to 5D Earth are miraculously repairing themselves, if it wore out. I have several florescent light bulbs that didn't work, and the screen on a laptop didn't work, now they all do. Electronics seem to be repairing themselves as we become 5D ascended. So don't throw out anything that you need, because it may repair itself. You will soon discover that literally everything is alive and has free will to operate on its own desire. So now you have to respect everything with love and care, because it is conscious of everything you are thinking. - RL)*

2cb) Encourage women to develop skills and practices traditionally held by men, to learn self-reliance instead of depending on men to do it all. Encourage men to develop skills and practices traditionally held by women, to learn feminine empowering traits neglected in male roles. *(Even though women have made progress in superseding men in education, they have only taken up roles in healthcare and law fields. This needs to be alleviated by stopping the stigma attached to skills considered too masculine, because nothing is too masculine, or feminine, as in the case for men too. The only thing is physical strength, which can be overcome with technology enhanced articulation and manipulation. We can grow in both directions, and this*

The 7 Concepts Constitution (Version 4.1)

will further enhance everyone. Solve problems with 5D solutions and healing. Given how far we have become since the Inquisition, women were forced to be housewives, nuns, and maids. Don't lose ground to the patriarchy. - RL)

2cc) In the event that one's home becomes damaged, falls into disrepair or grows into an unlivable state, the community will help the person or family resolve the dilapidated state with an upgrade or a suitable replacement for them, without penalty or debt. *(No one will be condemned from their property or possessions, due to an unkempt state, and we must all preserve or enhance their lifestyle as much as possible. - RL)*

2cd) If a business or project becomes a health or safety hazard, the community will pitch in to help alleviate the problem, without retribution or penalty. *(No cost is too high to make sure everything works well without illness, injury, or death.)*

2ce) Make lots of details in your 5D world. *(As stated in the heading of Concept 2), the more details, the more exact the idea or object it is you're creating, for the Source, and Collective Subconscious to create it. Earth humans have a creation ability that most aliens don't have, and that is, we can make all our creations stick into existence, because of our DNA, and the density of Earth core, where aliens require machines to make everything stay, or it would disappear. That's why our dreams are never static and everything disappears, because our dreams are in other dimensions. - RL)*

2cf) The education curriculum must include subjects required for survival, agriculture, manufacturing & construction, medical/healing, science, math, literature, psychic meditation, entertainment (art, music, games, physical fitness, etc.), exobiology, telepathy, extreme history, mysticism, culinary, astrophysics, logic, self-education,...

2cg) Environmental Purity Initiative. Due to the vast amount of chemicals being disposed of and leached into everything everywhere, this has caused a global impact on the physical and mental health of everyone to act and care for themselves effectively for survival. The thousands of unknown chemicals are acting as drugs and poisons to break down everyone's health systems without even knowing. The pollution is pandemic and has become lethal to the world. We shall eliminate all uncontrolled chemical leaching and disposal into every possible source of exposure.

2ch) Drink at least 2 to 4 liters of pure water daily, and bless it by visualizing two counter-rotating spirals in the glass, with positive energies or any desires and wishes you may have, to cleanse yourself of the toxins and wastes. *(Water has magnetic properties to remember anything induce into it, medicines, intentions, or thoughts, which is how homeopathic medicines work. This is also important as we ascend into higher dimensions, as our DNA is continuously upgraded, and the unneeded impurities are cleansed out of us. You may notice that our urine is especially dark at this time [2018], even when we drink 4 liters a day. - RL)*

2ci) Maintain a bodily purity by eliminating smoking, alcohol, drugs, caffeine, and food, air and water chemicals, to maintain higher consciousness and intelligence. *(All these toxins are making everyone dull like zombies without even realizing it. They have been intentionally drugging everyone into this state to maintain complacency and stupidity in the masses. When food stamps end, so will the centralized and processed food industry, and so does the poisons and toxins they put in our food.)*

The 7 Concepts Constitution (Version 4.1)

Many people are actually addicted enough that this is their motivation towards working(slavery). It has become their main leisure life into mindless nothingness. How can so many people let themselves go falling down drunk into sleeping on the ground anywhere. They have absolutely no self-control of anything, but to maintain that job for more drugs, like a slave. I don't think these are real people, and actually may be mindless bots or drones. Many of these people seem like they unconsciously want to commit suicide. They live in poverty, and spend every last penny on their drug of choice. Something is really screwed up with these people.- RL)

(New to version 4.1)

2cj) If one has no appreciation for another person's selflessness to help the one, especially when the other is in a lot of pain to get the one out of trouble; One will be stuck in 3D Earth, and the other will enter 5D Earth. *(That's a real test they're not a friend. A friend will help others in need, even when they are in severe pain giving that help, and when the recipient reacts selfishly with no compassion for those helping them, that severely tarnishes and ends it badly. Everyone loses all respect for the narcissist's one way street. The narcissist sociopath looks like a shithead because they don't care if others are in pain or have personal problems, because they only think of themselves and what is done for them, regardless of others hardships or disabilities. The only way people help you is when their ass is on the line too, and they will get in trouble if they don't help. And that's not a good world to live in through coercion. Otherwise, they will avoid doing anything for that selfish sociopath.*

Given a real life scenario, at the place that I'm staying, the owner insists on bringing to the property lots of junk to the yard, and expects me to keep the place clean, but how can I? Well, it just happens that my chronic foot fracturing set in, that means I can't walk or do anything for more than a week or two, and then not without a lot of major pain. It just so happened that the authorities gave the owner a notice for his yard being full of junk and he couldn't rent until it was cleaned up. I couldn't walk, and he ordered me to help him do everything for him, and he didn't care I was in lots of pain. He was a narcissistic sociopath with fear he would get a huge fine, and lose rentalship rights. So he did coercion and other tricks to back-stab me into doing things for him, but he had no appreciation or consideration that I did this in major pain for him, and that my condition would get worse. He even tried to do a dirty trick to have me get a ticket and get my car towed, probably because he got a ticket, and blames me for him getting in trouble for all his accumulating junk. I would consider him borderline evil, because he cheats, scams, and gets people to do major jobs for him with little or no pay, while he takes the money and spends it on vacations while cheating on his wife, drinking, smoking, etc., and he's a workaholic with 14 hour days. But the end of the line is, it was a test for the owner and all the other people like him, separating the wheat from the tares. This guy is a tare. They will never change, and they will not enter 5D Earth, without major soul healing, and only if he wants to go. The other people around did appreciate me, and could feel I made extra effort to help the owner in my pain. They are the wheat and will be rewarded with 5D Earth. - RL)

2ck) Try to never cut down living wood, but only dead wood. Trees are living conscious beings, and should be respected, having the same rights as you. Ask them!

2cl) People attending school actually have to prove they learned the curriculum,

The 7 Concepts Constitution (Version 4.1)

without cheating, to qualify for graduation. *(Given that the 45th president of the U.S. is a complete moron, proves he did not actually learn anything in school, and given his inherited wealth shows he could have very easily cheated his way through tests and graduation. We can't have people in positions of high integrity, that lack the intelligence required of the position, because this is dangerous and deadly. - RL)*

2cm) If you have someone who is obsessed with working too hard, we shall trick them into play, vacation, and making sure they have fun, not being in toil. *(3D Earth had this obsession with working and tricking people into laboring without getting much in return. 5D Earth is all about play and having fun. We won't allow anyone to be exploited for labor anymore. - RL)*

(If anyone tells you, you're not working hard enough, or you're lazy, tell them "You don't play enough." This will throw them for a loop, because it's completely opposite and disarming of their power. - RL)

(Caveat: Some of us creators spend a thousand hours on a project, working 12 hours a day, and we don't want to be disturbed creating. Many people don't understand our hermitage and keep pestering us. Stop bothering us! Never interfere with those in solitude. So be careful. - RL)

2cn) Everyone has the option to vote that they hate "The System" or program, and have it abolished.

2co) Every species shall be recognized as a nation, with all the same rights and liberties defined in The 7C Constitution.

2cp) All homeless people get everything for free.

2cq) Design everything with roundness, instead of sharp edges, to avoid injury.

2cr) #LGBTQ The right of transgender and LGBTQ people to be free of harassment, humiliation, bullying, attack, ostracism, discrimination, outing, etc., from all people in society.

(When I was young in the 1980's, Transgenderism wasn't openly discussed and was widely shunned, and teenage males can be very horrible at this. I didn't practice my cross-dressing openly, and only did it in the privacy of my own home, with the curtains closed, so I thought. A neighborhood teenager with a peeping-tom problem just happened to find a crack in my curtains to look through, and discovered me dressed as a girl. So ever since, when this boy came home from school, he would pass my bedroom window, screaming out, "Wonder Girl!". Why? I didn't do anything criminal, but get treated as such, for being my normal self. I did everything I could to hide it, to keep from this abusiveness all my life, knowing mostly males are very cruel to my kind of people. Discrimination was so bad, I couldn't even tell this to my school social worker, during private therapy sessions, for fear of the consequences.

It was since the 1960's transgenderism and cross-dressing males were arrested and jailed. We still have to put up with this bullying from all people. Well now, all of us Transgender Women are "Wonder Girls", because we are powerful, successful, creative people in the world, making us critical to everyone's freedom and rights. -RL)

2cs) Teenagers must enroll in creative youth programs, and are required to prevent gang activity, street violence, racketeering, and promote positive growth. *(Teenage males need a divergent upbringing from violent psychopathic exposure.)*

2ct) All land and seas are to be recognized as living beings, with the same rights and liberties defined in The 7C Constitution, as in 2co, and see 2bb.

2m_) The Optional Money System



This section is for systems involving money, and should be avoided and prohibited. The original 7C system is intended to evolve away from restriction systems, such as in 3a. The whole point of eliminating money was to stop crimes and all the problems of society. *(The problem with everyone is they want enormous material possessions or wealth, but they never get there. But instead, think of changing your life to not require wealth and make your needs replenished without money. This is freedom. Most people take money too seriously, and should think of money as just a game. But the trap is when you make your life dependent on it, then others feel they have rights over your freedom if you fail, but the system is set up for you to fail every time. This is why everything must be free of charge like in Concept 3a. Also keep in mind, we are going to destroy all national currencies, and force everyone to live in a free crowd sourced democratic guilded socialist system, where all needs to life are completely free forever. This cannot be stopped, and is absolute.*

The 1st rule of capitalism is, if you have nobody to buy your product, it is worthless. The same with stocks, bonds, loans, debt, housing, land, etc. And the extreme debt of today is now a pyramid scheme, where nobody can buy back the debt to make value off of it. All currency is debt, and it has become leveraged on the order of magnitudes now. To cash it in would be completely worthless, except only to the first person who cashed it. The economy has been collapsed since 2009, but it has never been officially acknowledged, and it will never recover. The economy will continue a slow fall into zero value forever. All those wealthy people claiming to have value in their assets is imaginary, because someone has to be there to buy it, and there is none.

Two; because the cost of living uses all of our personal income, we don't have the extra spending money for anything. But if you doubled the income, now you have a huge increase in disposable spending, which first gets spent on catching up on

The 7 Concepts Constitution (Version 4.1)

*critical things you needed, then the gravy goody items, which then promotes more cyclic and faster spending, which is more sales revenue for all businesses. In other words, far more product gets moved, the money flows faster, and the extra cash needed to pay employees magically materializes. **You do not need to increase the prices of products to pay for increased wages.** A side-effect of paying employees double is, they will be willing to work much harder to keep that job, thus become more productive. Today, we have the opposite failed logic within employers.*

Three, when you ship jobs overseas, the money you pay them only helps the people in that country, it doesn't come back to you in the local economy. So not only did you lose the money circulation locally that the lost job would have produced, but you also reduced the money flow of that lower paid overseas job, for the world economy.

The big businesses are sitting on a huge nest egg worth trillions, but refuse to give it up, and this has stifled the entire economy. What has happened in the last 80 years is the flaw of capitalism, the downward spiral of, "if I can make more profit by stiffing my workers, I will get more income." neglecting the fact everyone else does the same, thus wage stagnation gives the entire business income virtually no revenue. And worse yet, some employers plan on their business failing, and stiff their workers with no pay, go bankrupt, and restart over with an identical business. This is their new corrupted 3D business model. Why? because it's foolproof. And that is why employers will never pay a living wage, because it's all a scam. (I'm not talking about positive business failure like this link.)

All money is completely abolished in 5D Earth, Period! Therefore, most of the 2m_series is no longer needed. - RL)

2ma) All forms of currency, restriction systems, or methods, that are used to coerce, restrict, punish, take advantage of others, dependency, or restrict any of The 7 Concepts, are to be abolished, as in 3a.

2mb) All currencies are to be considered imaginary, used only in game like experiences, and have no connections with dependency on life. Money will only be used as a component in games that provide enjoyment.

2mc) 7CCoin(7CC), Monero(XMR), Ripple(XRP), and Bitcoin(BTC) may be used as official 7C Currencies; Currency must be anonymous, private, unregulated, and impervious to outside influences. Other currencies and Crypto-Currencies may be used for trade with other systems. (7CCoin is based on the CryptoNote/CryptoNight algorithm <https://cryptonote.org/inside>, with source code forked from <https://github.com/cryptonotefoundation/cryptonote>. CryptoNote is more secure, anonymous, untraceable payments: [Ring signature], multi-signature transactions (to prevent robbery), longer addresses, 256-bit hash, and proof-of-work mineable with regular computers. The root source code came from Bytecoin(BCN). For more security, 7CCoin will be forked from Monero(XMR) source code, from <https://github.com/monero-project>. Bitcoin is currently limited to 21,000,000 units, and 8 decimals [satoshis], where 7CCoin is limited to $2^{64}-1$ units, and 14 decimals.) (The symbol for 7CCoin is "7" or "7̄" [with a dash or equals sign through a 7]. 7̄1,000,000 7CCoin may be tethered to 1 Bitcoin. 7̄1 7CCoin is projected to be worth ~\$1US by 2023, in which case all \$1 USD amount payments will be accepted much the same as 7̄1 7CCoin amounts. 7CCoin will be invisible and unregulated by any

The 7 Concepts Constitution (Version 4.1)

nation or central organization.)

2md) #PayEquality Benefits, (*pay*) or needs equality for all various characteristics imaginable, including all levels, business, government, race, gender, age, occupation, infirmity, stature, status, mentality, or any difference imaginable, is mandatory, planet-wide, continued after money is abolished. See 2mo. (*Or, ABSOLUTE EQUAL PAY FOR ALL, WORLDWIDE. Not giving everyone equal pay nor equal access to needs to life, is SLAVERY. - RL*)

(We believe in equal pay for equal work and the right of all women to be paid equitably. We must end the pay and hiring discrimination that women, particularly mothers, women of color, Indigenous women, lesbian, queer and trans women still face each day in our nation, as well as discrimination against workers with disabilities, who can currently legally be paid less than federal minimum wage. Many mothers have always worked [and] in our modern labor force; and women are now 50% of all family breadwinners. We stand for the 82% of women who become moms, particularly moms of color, being paid, judged, and treated fairly. Equal pay for equal work will lift families out of poverty and boost our nation's economy. -#WomensMarch, See also 2mo.)

(We must also establish equal pay for women. It's unconscionable that women earn less than men for performing the same work. - #OurRevolution)

(When the Americans with Disabilities Act (ADA) was passed 25 years ago, it was hailed as the world's first comprehensive declaration of equality for people with disabilities. Today, as a result of this landmark legislation, millions of people with disabilities are no longer denied the opportunity to get on a bus, go to a decent school, make a decent living, attend a baseball game, and live successful and productive lives. Instead of being isolated and hidden from society, kids with disabilities are now in classrooms all over America and graduating from high school and college with the respect and admiration of their classmates, teachers, and families.

This transformation in our culture and society did not happen by accident, and it did not happen overnight – it happened because a grassroots movement demanded change. Despite the progress that has been made over the past two decades, we unfortunately still live in a world where people with disabilities have fewer work opportunities and where the civil rights of people with disabilities are not always protected and respected. - #OurRevolution)

(Adding to what Bernie said, Transgender people have always been the most discriminated against when it come to job opportunities and equal pay. We are most likely to be homeless too. - RL)

(Fighting for pay equity by signing the Paycheck Fairness Act into law. It is an outrage that women earn just 78 cents for every dollar a man earns. - #OurRevolution)

2me) #PayEquality All businesses with employees must be non-profit, or all profits beyond expenses go to the Communal Fund for everyone planet-wide to be paid equally as UBI (Universal Basic Income). The business model is 2mz. (*Single person business profit will personally decide to have optional taxation.*)

(Demanding that the wealthy and large corporations pay their fair share in taxes. Stop corporations from shifting their profits and jobs overseas to avoid paying U.S.

The 7 Concepts Constitution (Version 4.1)

income taxes. - #OurRevolution)

2mf) #AbolishTaxes ALL TAXATION IS ABOLISHED, except for business profits, while all of government is socialized, where all services are free. Single person businesses shall have optional taxation of profits.

2mg) Revenue (from Communal Funds) for administration will be divided based on the people's proportionate approval/disapproval vote of all programs. The remaining goes evenly back to the people as dividend, paid on December 1st.

(Where do your (USA) tax dollars go?:

\$660 billion Military

\$550 billion Subsidy to Fossil Fuels or Energy

\$182 billion Prisons

\$250 billion Social Security

\$250? billion Medicare/Medicaid

\$100 billion Pubic Aid,...

The question is, do you really want your tax money being decided for you by the wealthy profiteers, [using lobbyists], without our proportionate vote? I sure don't.

Full pay electric, subsidized, or free? You would pay 40¢/Kwh now, or 50% socialized, but if electric were free, we wouldn't change to renewables like Germany did. - RL)

2mh) All banking services will reside within the post offices, Co-Ops, or be contained in anonymous personal wallets based on world distributed crypto-currency blockchain hashes, and never be corporate or privately owned.

(Breaking up huge financial institutions so that they are no longer too big to fail. Seven years ago, the taxpayers of this country bailed out Wall Street because they were too big to fail. Yet, 3 out of the 4 largest financial institutions are 80 percent bigger today than before we bailed them out. We need to fight to get this legislation signed into law. - #OurRevolution, See also 5s)

2mi) Preservation of Social Security, disability, pension, welfare, and support payment programs, until 7C economic stability is achieved. Also to ensure that COLA (cost-of-living-adjustments) rates are verified and corrected for.

(We need to lift this cap so that everyone who makes over \$250,000 a year pays the same percentage of their income into Social Security as the middle class and working families.

This would not only extend the solvency of Social Security for the next 50 years, but also bring in enough revenue to expand benefits by an average of \$65 a month; increase cost-of-living-adjustments; and lift more seniors out of poverty by increasing the minimum benefits paid to low-income seniors.

Not only is this the right thing to do from a moral perspective, it is also what the vast majority of the American people want us to do. 61 percent of the American people support expanding Social Security benefits by lifting the cap on taxable income, according to an NBC News/Wall Street Journal poll earlier this year[2016].

It's time to expand Social Security to make sure that everyone in this country can retire with the dignity and respect they deserve. - #OurRevolution)

2mj) Copyrights, patents, talent, artistic rights are gained for free. Only individual people get royalties/residuals tax-free. And, all free energy, perpetual, and unorthodox devices cannot be refused a patent. Royalties can only be gained by and for the

The 7 Concepts Constitution (Version 4.1)

creator's complete (above 95%) original work items, and not it's partial or modified descendant's, nor used in a monopolistic fashion, and never by another entity, and allow fair-use in any alternate context, especially additive works within another creator (*Prior creators cannot issue claims and compensation of works of later creators*). No royalty chains. Copyright lasts until the creators death, then automatically becomes public domain. Anything in the public domain, or copy derivations thereof, stays in the public domain. No Copyfraud (*claiming copyright of other people's works*). See 3i, 3j, 5x. (*If you take a block of wood to create something else of it, does the originator of the block get to claim rights to every mod of that block? No! - RL*)

2mk) Anyone donating to those publicized doing 4c, intolerance or lethality, will generously donate their entire net worth to the Community Fund. (*Like Daryl Wilson, George Zimmerman, Memories Pizza, etc., all of which got handsomely rewarded for doing heinous acts, which instigates more people to do these heinous acts. - RL*)

2ml) The wealthiest people will generously donate their entire net worth to the Community Fund upon their natural transition (death). (*The wealthy should never bequeath their wealth to inheritors, when most of it was gained off the labor of the people they acquired it from. The wealth must be equitably given back to those who gave it to them, to society and not to other elites to consolidate and squander. We all benefit and win in the end. - RL*)

(*Create a progressive estate tax on the top 0.3 percent of Americans who inherit more than \$3.5 million.- #OurRevolution*)

2mm) #FreeHousing Every homestead house, condo, shelter, or RV, will be given for free, without rent, mortgage or taxation. Limit(1). EVICTIONS ARE ABOLISHED.

(*Expand the National Affordable Housing Trust Fund. We need to fight to increase funding for the National Affordable Housing Trust Fund to at least \$5 billion a year in order to construct, preserve, and rehabilitate at least 3.5 million affordable housing rental units over the next decade. Not only will this help address the affordable housing crisis, it will also create millions of good paying jobs in the process. - #OurRevolution*)

2mn) Supplemental Security Income given to those being discriminated from employment: lesbian, gay, bisexual, transsexual, queer, disabled, felons, homeless, destitute, non-whites, women, sex offenders, etc.

2mo) #PayEquality Everyone gets a minimum wage (Universal Basic Income, #UBI) of 3x the average cost of living. (*Even though there is no actual "cost of living" within the 7C System. This will be currently set @2018, to ~\$100,000/year* USD(Tether) paid in official crypto-currencies. Please acquire a Bitcoin or 7CCoin electronic wallet and register your 7C citizenship to get your income share or UBI.*) If you are someone who manages to acquire multiple shares of wage income, you will not be penalized, but must prove you deserve extra, like for debt relief, business grants, to give aid to others, or to preserve all necessities to life to everyone for free. (It's only fair everyone gets one identical income share, because NOBODY'S JOB IS ANY MORE OR LESS IMPORTANT THAN ANOTHER.) (**For example, if the average profit per capita is ~\$140,000/year, about 10% pays for FICA, medical, etc. expenses, and 20% pays for government budget. This is just an example, and the*

The 7 Concepts Constitution (Version 4.1)

items are not real budget outline requirements.)

Or, everyone has the compulsory right to refuse to work for anyone that gives a minimum wage of less than \$50/Hour (2019), worldwide.

(Minimum Wage - Millions of Americans are working for totally inadequate wages. We must ensure that no full-time worker lives in poverty. The current federal minimum wage is starvation pay and must become a living wage. We must increase it to \$15 an hour over the next several years. = Fight for a national \$15 per hour minimum wage and a union for fast food workers, and federal contract workers. - #OurRevolution)

(Raise the minimum wage. According to the National Low Income Housing Coalition (NLIHC), a renter would need to earn a wage of \$19.35 per hour in order to afford a modest, two-bedroom apartment in the U.S. One way to start closing the wage/rent gap is to raise the minimum wage to \$15 an hour by 2020. - #OurRevolution)

(Increasing the federal minimum wage from \$7.25 to \$15 an hour by 2020. In the year 2015, no one who works 40 hours a week should be living in poverty. - #OurRevolution)

(Creating Decent Paying Jobs - #OurRevolution, the whole section)

(Establish Fair and Equitable Trade Policies.- We must fight to rewrite our trade policies to end the race to the bottom and work to lift the living standard of Americans and workers throughout the world. Not only have our trade policies with Mexico, Central America, and China led to the loss of millions of decent-paying jobs and thousands of factories, but they have led to destitution for local communities around the world. Accordingly, our nation must level the playing field for workers everywhere. Those who wish to remain in their home country should be able to earn livable wages and not migrate for economic survival. Furthermore, we will work tirelessly to build an international coalition to fight global poverty and address crises to humanely manage migration patterns. Multi-faceted policies that look beyond our borders are critical to addressing the root causes of migration and economic inequality. - #OurRevolution)

2mp) No discrimination or preference, of any financial systems based on gender, race, disability, income, sexual orientation, history, association, or any other difference imaginable.

(Bar discrimination against LGBT people by creditors and banks so that people will not be unfairly denied mortgages, credit cards, or student loans. - #OurRevolution)

2mq) No charges or penalties for currency conversion or banking, nor shall anyone be penalized or impeded for cryptocurrency transactions.

2mr) Everyone gets a paid vacation the month of December, and the first 3 days of every month.

2ms) Everyone gets paid ~\$50/hour (+expenses) for having sex & fun, like in 2j, and doing good or healthy things for yourself, like exercise, education, or any self-improvement. *(Paid in Bitcoin, Monero, Ripple, or 7CCoin.)*

(Everyone should avoid doing things that make them unhappy, like [looking at screens](#), the #1 reason for unhappiness. - RL)

2mt) The non-crypto to crypto-currency conversion amount is limited to the yearly

The 7 Concepts Constitution (Version 4.1)

wage share (~\$100,000/year).

2mu) #MGTOW In divorce or any relations whatsoever: alimony, asset division, default child custody, or rape accusation, is abolished.

2mv) If there are wages (including bartered pay) for freelance, contracted services or labor, and a head foreman(employer) does not give equal timed pay to all workers involved, including the head, (committing wage theft), the head foreman(employer) gets vacated 4f1. (*POTUS 45 has stiffed over 4,000 contractors in his dealings.*)

2mw) All profits are ordered to be given to all the workers equally, and never to be used for stock dividends, stock buy-backs and executive pay. (*This is complete wage theft, and forced the economic collapse of everything, destroying everyone's lives through stagnant wages, and corporate greed.*)

2my) Businesses shall not be based on greed or profiteering. (*Many businesses that try to profit and obsess with making money, tend to be the most wasteful, polluting and destructive to society. But when the income ends due to wage theft, and the money flow stops, they go out of business. Their own greed imploded them. Capitalism always self-destructs without regulation. - RL*)

(New to version 4.1)

2mz) The 7C Business Model: Business expenses are taken from your gross revenue 1st, to run your business, (not including wages, insurance, medical, FICA, etc.). (*You should only care about running your business, and the 7C system will take care of the rest of your financial toil.*) Then the remaining net revenue or funds are profit, which goes into the Communal Fund (CF). The Communal Budget is taken from the CF. The remaining CF gets paid to all people equally as wages and bonuses, from ages 0 to death, no matter if any labor is produced, TAX FREE! (*K.I.S.S.!*)

Grants for starting and keeping businesses afloat (subsidized), come from the CF.

2n₁) This section is to Nullify the wealth and power of money, while enhancing those left in poverty. This is all in the effort and plan to abandon the scourge of money and capitalism forever, with ways to prosper without it.

2na) Since the wealthy people desire to sustain a society of extreme wealth inequality, pricing systems will be based on a multiple of the buyers net worth, to the average. (*eg. Someone 10 times wealthier than average, pays 10 times as much. At the same time, those who are broke or have little wealth, get everything for their proportionate fraction.*)

2nb) Budget priority must go to the least among us first, the poor, disabled, elderly, homeless, hungry, impaired, etc., and the richest last. (*If we can't help ourselves, we can't help others. The ones without a voice are the ones we help first. "A rich person's wealth is their strong city; the destruction of the poor is their poverty." - Proverbs 10:15. - RL*)

2nc) *When you begin a community, you should never do it with money, because there will never be enough. You must do it with guild socialism, freely giving of yourself to help others. When the frontiers blaze their trails, they had no money, but the sweat of their community and local resources to make everything happen. Everyone did their part, and it was a success.*

2nd) *Think of things in "assets" and "liabilities". Assets are things or ideas that*

The 7 Concepts Constitution (Version 4.1)

give you benefits in return. Liabilities sap your resources and energy like a vampire. And balance is the harmony of them together for growth. You can't have one without the other, because sacrifice of one is usually need to get the other. But, symbiosis benefits us all. On the second level, symbiosis is an asset, and exploitation is a liability. On the third level, living long is an asset, exhaustion is the liability. On the fourth level, an eternity of nothing is an asset turned into a liability. On the fifth level, the desire for creation is an asset, and boredom is the liability. On the sixth level, discovery is an asset, and forgetfulness is the liability. On the seventh level, nirvana is the asset, and achieving all there is, is the liability, and vice versa. This progression leads into dimensionalities of wisdom, we otherwise would never have known.

2ne) *If you don't have a crash in your personal economic money world, and learn to live without money, you will never make it in the 5D Earth. Because there is no money there, and nothing that requires it. The 5D system is the entire 7C system.*

No prohibitions or abridgments of the above items, in the 2nd Concept, are allowed, nor be coerced upon anyone, and without retribution or discrimination, based on any characteristics imaginable. All necessities to life must have compulsory redundancy, nonprofit, and wherever appropriate, produced in surplus quantities to provide protection from loss by failure or catastrophe. **NO ONE WILL BE IMPEDED FROM THESE RIGHTS FOR ANY REASON.** Any other necessities undiscovered at this time may be added by 50% consensus, to the items above, **provided they NEVER restrict anyone, their relatives, or group in any way, shape or form**, and must be worded to provide more rights, freedom and support, without violating the other 7 Concepts. A government or antithesis to anything in The 7 Concepts are NOT to be considered necessities to life.



Concept 3) Jubilee, Unhindered Altruism; or Prohibition of Restriction Systems (Compassion)

[Unleash your reality beyond limitations/fear, follow your impulses.]
{To be a loving god is to give allowance without debt.}

(To pay debts, rent and fees to an elite oligarch or bankster, is the ultimate sin, as everything should be given. The debt collector's self-reward will be eternal debts and slavery.)(Money causes everyone to treat each other like shit, on both ends. The bosses treat their employees badly, and the employees sabotage in response, which hurts everybody in the end. The one greedying after money from others, treats others badly, causing fear from and retaliation towards others. All of this makes hell on Earth. This is why all money and restriction systems are abolished. On the other hand, many lessons can be learned playing the money game, but I think those lessons are over.)

3a) NO RESTRICTION SYSTEM SHALL EVER EXIST, such as for forced trade (Like money, barter, exchange, passes, credits, scores, investments, debts (or debt cards), taxes, impounds, fines, rent, mortgage, identification cards/marks/devices, license, passport, visa, servitude, contract, toll, life, body parts, soul, dysfunction, trafficking, repossession, permissions, insurance [*because they are all scamming everyone*], rebates, etc.), oppression, censorship, or any thing, manner or idea imaginable, that may exclude, unequal, restrict or coerce any individual, gender, relatives, or group for any reason imaginable, or from that stated in The 7 Concepts. Enforceable by deportation 4f1. **(WE DON'T PLAY BY FORCED EXCHANGE RULES ANYMORE.)** Identity is not required to have access to anything. (5D earth will implode the restriction paradigm, because the whole physics, and function of 5D is different and incompatible. - RL)

(Protect Women from Discrimination. We must reject the so-called "merit-based"

The 7 Concepts Constitution (Version 4.1)

“social engineering” immigration policies that discriminate against women. In addition to upholding the family-based visa system, he will work to ensure that mothers, sisters and wives who come into the United States with their families have the same right to work as their male relatives while enhancing protections for survivors of gender-based violence and human trafficking. - #OurRevolution)

3b) No one or group has the right to search, seize, scan, sample or track any property, possessions or body, of another, in any manner or circumstances, or violation of any of The 7 Concepts, except when the individual or group violates Pacifism or Prohibition of Offensiveness, **BUT NEVER EXECUTE THEM.**

3c) No one or group has the right to withhold any necessity to life, expression, voting, or mercy, from any one, relatives, or group, for any reason, even if they don't produce any noticeable labor. See 3ae.

3d) All worldwide, homeless, jobless, destitute, refugee, **anyone pleading for their life (especially)**, or anyone saying they are 7C, are instantly 7C citizens with full 7C rights and universally Sovereign Integrals. Once you declare '7C', you are protected. As of August 12, 2023, all people of Earth will be protected by the 7C Constitution, the 7C Nation, and by 4e, 4f & 7c. Multiple citizenship shall not be denied.

Sovereign declaration: “I am a sovereign integral of the 7C Constitution of the planet Earth, with my own rights and immunity recognized by the UN, 7C People and 7C Council, and I am not subject to your law system. Violation of this will be enforced with offender's permanent vacation” This will be said to all authorities of any other system who forces their will upon 7C Citizens. 7C Citizens do not respect nor recognize any authority of any kind, having Absolute Diplomatic Immunity in the universe.

WARNING: If the authorities of any other system in the universe, executes, harms, harasses, or violates the rights, of any 7C Citizen or Wingmaker, that group will be hunted down to the ends of the universe and eradicated 4f2. Protected as stated in 4b and 4c. (Given how the American authoritarian system has a policy of “Comply or Die”, this 7C policy will be enforced swiftly and with total absolutism. You're here now, then you're gone, far away harmlessly at your own inconvenience.) (Remember when saying, “I'm an American”, made other despotic nations afraid of, respect them, and gave them a free pass, as in Amendment 14)? Well this is for real. - RL)

(Rooted in the promise of America's call for huddled masses yearning to breathe free, we believe in immigrant and refugee rights regardless of status or country of origin. It is our moral duty to keep families together and empower all aspiring Americans to fully participate in, and contribute to, our economy and society. We reject mass deportation, family detention, violations of due process and violence against queer and trans migrants. Immigration reform must establish a road-map to citizenship, and provide equal opportunities and workplace protections for all. We recognize that the call to action to love our neighbor is not limited to the United States, because there is a global migration crisis. We believe migration is a human right and that no human being is illegal. - #WomensMarch)

(A Fair and Humane Immigration Policy - #OurRevolution – Bernie, Your plan has too much red tape, and must be simplified, like I did here. Too much runs contrary to The 7 Concepts, to be entered here. - RL)

The 7 Concepts Constitution (Version 4.1)

3e) #RightToVote All non-violent crimes, misdemeanors, felonies, (not violent crimes), penalties, charges, fines and debts will be universally reversed, pardoned, released from prison, and nullified forever; while reinstating full voting rights to all, and nullify any restrictions incurred. See 3ae. *(They call it, paying your debt to society, when they are really barbaric torture rituals, and it never ends after you are released, because laws make it impossible to get any needs to life whatsoever. - RL)*

(Everyone always assumes to fix the crime problem, you need to find the bad ones and put them away. This has never worked and actually causes more crime. What you need to do is the opposite. Fix the reasons for why they are committing the crimes in the first place, then the crimes will disappear. Fix it by ensuring it never enters their minds. Many times, there are no crimes committed at all, and laws are written to take advantage of people for profit, like drug abuse, or “contraband”, traffic fines, forced insurance, invalid/expired registration, etc. - RL)

3f) ALL DEBTS, LENDING/USURY INSTITUTIONS, AND STOCK/BOND/COMMODITY MARKETS ARE PERMANENTLY ABOLISHED. See 3ae. *(Get out of your mind that people owe you, like you are somehow permitted to harass, enslave or punish people for money owed. Stock markets steal the profits from companies, when those profits should be going to the employees for their hard earned labor. - RL)*

(Implement Credit Score Reform. The credit scores of millions of families have been ruined because of foreclosures or other financial hardships from the economic meltdown. At the same time, a prime score before the crisis was 640. It currently hovers around 740. If we want to rebuild the lost wealth of working families, we need real credit score reform to make the banking and credit industries work for borrowers and not just lenders. - #OurRevolution)

3g) Nobody can hold another's property hostage, or have privileges revoked for non-payment, debts, or extortion. Those claiming the right to debt retribution by force, will generously give all their possessions, beyond their needs, to the community in common. See 3ae. *(If the evicted must sacrifice all their possessions, the evictor or landlord must sacrifice all of theirs as well. Not fair? Why do it them?)*

(Expand Foreclosure Mitigation Counseling. Just as pre-purchase homeownership counseling works for prospective home-buyers, we need to expand National Foreclosure Mitigation Counseling programs to help underwater homeowners. Studies have shown that underwater homeowners who receive counseling are far more likely to cure a serious delinquency or foreclosure, and stay current after obtaining a cure. The best solution is to keep homeowners in their homes. - #OurRevolution)

3h) #AbolishMoney ALL MONEY IS ABOLISHED. All national currencies in every form will be compulsively sought, destroyed and deleted worldwide. All bank records will be gone (except for in 2m), nor will any currency be accepted for any necessity to life, or anything, but having fun. Personal crypto-currency wallets are excluded.

3i) CLAIMING OWNERSHIP IN SOMETHING, THEN CHARGING SERVICE(PEONAGE) OR FEES(RENT) FOR ANOTHER USING IT, IS ABOLISHED. NO USURY. *(Owning land or buildings are illusions, when you can't take it with you upon death. Why should you pay for the right to exist anywhere, when*

The 7 Concepts Constitution (Version 4.1)

The Source lets you stay in His abode for free? - RL)

(If someone asks you for rent, you tell them, "I am God, and I let you borrow my land. So how dare you try to scam rent out of anyone." "You can't take it with you when you die.")

Periodic taxation, fees and registration like that listed in 3a, is the same as rent, and is also abolished. The problem with taxing the lower and middle classes, is that it stifles the economy, in that they have less disposable income to make the money flow, due to an overbearing cost-of-living. Lower taxes on the poor stimulates the economy, but not on the wealthy. - RL)

(Protect Rental Assistance. We need to provide full funding to all existing project based rental assistance contracts. - #OurRevolution)

3j) No one can claim the rights to ownership, mentality, actions, invasion, or retribution, of another person or being.

3k) #Reparations All the wealthiest 500 people shall give 90% of their income, for 500 years (or 2523 AD) as reparations to those of worldwide African descent (for ancestral slavery), continental American Indian descent (for genocide and land annexation), anyone who has been imprisoned for anything, and anyone who was evicted or forced into homelessness. See 3ae. *(If you believe these people will become sedentary, lazy, and a burden on society, let them. Who is a well deserved 500 year fun vacation really hurting? Their reward for suffering is now granted.)*

(There's one catch or curse: Doing this may cause the self-destruction of black people. [Not to be racist] But, when a person who's been withheld from their life's needs for so long, they tend to over compensate and hoard to an extreme, so much so that they fight and kill each other for their neighbor's wealth. Look at when blacks win the lottery, they quickly move far away, or always end up murdered. Billionaires have so much money, getting rid of 90% won't even be noticed, and you'll get it all back with an enormous surge in profits. Given all this, it has been foreseen by future people, the black complexion doesn't exist around 2500 AD. Perhaps, something genetic is happening to advance all human races, where melanin is no longer needed, as everyone will be indoors from the sun. The black and brown people will not disappear, but just change to white. - RL)

(Economic Violence - It is necessary to try to address the rampant economic inequality while also taking on the issue of societal racism. We must simultaneously address the structural and institutional racism which exists in this country, while at the same time we vigorously attack the grotesque level of income and wealth inequality which is making the very rich much richer while everyone else — especially those in our minority communities — are becoming poorer. - #OurRevolution)

3l) All people of Earth and aliens(ET's) have the right to take up residence anywhere regardless of any immigration status, and be sovereign integrals of their heritage or any characteristics. Indigenous peoples have unabridged sovereignty to their native territories, upholding all treaties as supreme rule and rights.

(We support Indigenous women's right to access, own, develop and control land and its resources. We affirm that now is the time for the U.S. implementation of the UN Declaration on the Rights of Indigenous Peoples and to honor existing treaty rights and fulfill promises made. - #WomensMarch)

The 7 Concepts Constitution (Version 4.1)

(Support Tribal Sovereignty and Tribal Jurisdiction: Tribes must have the ability to prosecute non-Native people who commit crimes on tribal land, and have greater jurisdiction over prosecuting all crimes, including family disputes. We need to encourage the continual development of the U.S. Department of Justice Tribal Access Program for National Crime Information to provide tribes with access to national crime information systems for both civil and criminal purposes. [Note: Prosecution and punishment will not be allowed in the 7C system. - RL]

Uphold the Trust Responsibility: We must honor the treaties and federal statutes that are the foundation of the trust relationship. We need to maintain a White House Policy Adviser for Native American Affairs to ensure that tribal issues are consistently addressed and coordinated throughout the federal government. - #OurRevolution)

3m) #Jubilee All the debts and fines will be bought cheap and/or expunged.

3n) Creating your own job is encouraged. Nobody needs permission to start a business, but those that violate The 7C Constitution are prohibited.

3o) #LGBTQ Everyone, everywhere on the planet, is required to make all others feel welcome, especially the homeless, refugees, nomads, travelers, immigrants, gender identity, disability, disease, status, race, creed, etc., regardless of any characteristics imaginable, never to give anyone the bum's rush, or excommunication. *(It's not fair that the wealthy are always pushing the poor out for not paying some imaginary fee for an imaginary claim on property. Nobody really owns anything. Can anyone explain to me why one's romantic or gender interests is the determining factor for any job, housing, restroom, clothing, etc., or anything listed? Qualifications are all the same. But get discriminated everyday based on such disconnected ideas.- RL)*

(We are guided by the fact all Black lives, regardless of actual or perceived sexual identity, gender identity, gender expression, economic status, ability, disability, religious beliefs or disbeliefs, immigration status or location - #BlackLivesMatter)

(EXPANDING SERVICES FOR ALL—PREVENTION AND TREATMENT BEYOND HEALTH CARE. In the year 2016, it is unacceptable that a person could be fired or denied housing in many states based on sexual orientation, gender identity, or health status. We should push for legislation that would expand civil rights protections to all LGBT individuals and those living with HIV/AIDS. - #OurRevolution)

3p) All 7C Centers will be sanctuaries for everyone, for any reason.

(It has become a travesty and a worldwide crime of what the 45th President's Administration has done to immigrants, they have separated families as punishment even killing family members of those wanting asylum and a better place to live, seeking immigrant status. This is a global crime and calls for a complete 3D banishment 4f2, of those creating this travesty. - RL)

(Ensure Access to Asylum for Persecuted Immigrants. The Attorney General needs to replicate former Attorney General Janet Reno's efforts to help extend asylum to victims of domestic violence and by classifying unaccompanied minors coming from Latin American and victims of criminal gang activity as distinct groups of people fleeing persecution. This classification will reduce the barriers for these groups to successfully apply for and receive asylum. Additionally, credible fear of persecution standard need to be restored to its pre-2014 level, allowing more people to present

The 7 Concepts Constitution (Version 4.1)

their claims to an immigration judge instead of being summarily deported. We must require DHS to screen arriving immigrants, especially juveniles and families, for humanitarian and immigration relief. - #OurRevolution)

3q) #LGBTQ The recognition, integration, independence, and enjoyment; of those of gender diversity, disability, and difference, in all life experiences, without restriction, discrimination or ostracism, and to actively contribute the growth of all possible living experiences.

(We are committed to fostering a queer-affirming network. When we gather, we do so with the intention of freeing ourselves from the tight grip of hetero-normative thinking or, rather, the belief that all in the world are heterosexual unless s/he or they disclose otherwise. - #BlackLivesMatter)

(We believe that all women's issues are issues faced by women with disabilities and Deaf women. As mothers, sisters, daughters, and contributing members of this great nation, we seek to break barriers to access, inclusion, independence, and the full enjoyment of citizenship at home and around the world. We strive to be fully included in and contribute to all aspects of American life, economy, and culture. - #WomensMarch)

(Continue the great work of the State Department's Special Envoy for LGBT Rights and ensure the United States helps protect the rights of LGBT people around the world. -#OurRevolution)

3r) The unrestricted will to build communities for the growth of any sovereign society, in their unique pathways of experience.

(We are committed to collectively, lovingly and courageously working vigorously for freedom and justice for Black people and, by extension all people. As we forge our path, we intentionally build a nurture a beloved community that is bonded together through a beautiful struggle that is restorative, not depleting. - #BlackLivesMatter)

3s) The compassion of taking care of a neighbors property who is infirmed or on vacation, with the owners consent, is encouraged.

3t) The recognition that all people's are never forced into castes, or confirmed in all aspects, abilities, or beingness of themselves, regardless of who they are. We are all respected as equals.

(We are unapologetically Black in our positioning. In affirming that Black Lives Matter, we need not qualify our position. To love and desire freedom and justice for ourselves is a necessary prerequisite for wanting the same for others. - #BlackLivesMatter, BYPI00)

3u) Labor Unions shall not be denied, with ruler-ship superseding all employers. Employment, regardless of residence, shall not be denied. Employment for exploitation of workers in any job is abolished.

(We believe that all workers – including domestic and farm workers - must have the right to organize and fight for a living minimum wage, and that unions and other labor associations are critical to a healthy and thriving economy for all. Undocumented and migrant workers must be included in our labor protections, and we stand in full solidarity with the sex workers' rights movement. We recognize that exploitation for sex and labor in all forms is a violation of human rights. - #WomensMarch)

(Lastly, we must support and strengthen the labor movement to ensure that

The 7 Concepts Constitution (Version 4.1)

workers have a say in their own economic futures. We need to support the Employee Free Choice Act, which would make it easier for workers to organize and bargain collectively. - #OurRevolution)

(Making it easier for workers to join unions by fighting for the Employee Free Choice Act. One of the most significant reasons for the 40-year decline in the middle class is that the rights of workers to collectively bargain for better wages and benefits have been severely undermined. - #OurRevolution)

3v) #RightToVote No one shall be restricted from voting, nor have their vote denied, for any reason, except for non-residents. Those located out of their residence shall not be denied voting for their home residence, using a local proxy facility, using an absentee ballot. Demeny voting, is used for those physically unable to vote.

(I don't care if you think rapists, pedophiles, terrorists, or any nasty people should not have a right to vote, it's not your right to judge others, nor deny them a voice. That's the problem, the Alt-Right always wants to take rights away from anyone.- RL)

(Promote Voting Rights: stand with Native Americans to fight for Indian voting rights, and defend the franchise in minority communities across the country. - #OurRevolution)

(Political Violence – Disenfranchisement - In the shameful days of open segregation, literacy laws and poll taxes were used to suppress minority voting. Today, through other laws and actions — such as requiring voters to show photo ID, discriminatory drawing of Congressional districts, restricting same-day registration and early voting and aggressively purging voter rolls — states are taking steps which have a similar effect.

The patterns are unmistakable. 11 percent of eligible voters do not have a photo ID—and they are disproportionately black and Latino. In 2012, African-Americans waited twice as long to vote as whites. Some voters in minority precincts waited upwards of six or seven hours to cast a ballot. Meanwhile, thirteen percent of African-American men have lost the right to vote due to felony convictions.

Yet in 2013, the Supreme Court struck down a key part of the seminal Voting Rights Act, even while saying “voting discrimination still exists; no one doubts that.”

This should offend the conscience of every American.

The fight for minority voting rights is a fight for justice. It is inseparable from the struggle for democracy itself. - #OurRevolution)

3w) Our gender is not defined nor restricted at birth. *(Because, we can now freely change our gender at will. - RL)*

3x) A license or certification is NOT required to speak to council meetings, as all opinion is valued from every field to make the best informed decision.

3y) All humans are designated to become creators or presenters of everything, and never forced into being laborers, production work, or slavery.

3z) (Due process) (Repeat of the intro on the Councils & Administration) If a portion of a society chooses another motivation or political ideology, an equitable system shall be created to advance that particular motivation or ideology, and must never violate The Seven Concepts. *See also 3r.*

3aa) Paradigm implosions are required for anything of high complexity and security. *(Take for example, money transfer solutions require you to have a smart phone, to do things like 2FA, Two Factor Authentication, because malicious hackers*

The 7 Concepts Constitution (Version 4.1)

are stealing all the money. Here's the implosion, android operating systems are collapsing requiring frequent factory resets, thus the loss of 2FA codes. Also smart phones are becoming too expensive for those in poverty to own one, and actually makes them lucrative enough to have them frequently stolen. Not to mention the cheap construction makes them too easy to damage. The perfect storm of a paradigm explosion is about to happen on everything too reliant on cell phones. Soon hackers will get so good at it, that they will seize nearly all the crypto-currencies, just like the elites have consolidated traditional currencies to themselves. Hackers have currently acquired about 6% of all crypto from jacking everything. Cell phones are over 60% of the internet, and will cause the near total collapse of all money and security systems, even cryptocurrencies. What good is it owning all the world's money and gaining nothing when nobody can't use it. Therefore, the complexity, greed and problems will end all security systems and cryptocurrencies by default. There's no point in making life so complicated when everything should be free. This is why crypto-currencies should only be used in game experiences only, and never needs to life. The crypto-currencies where supposed to free the average people from the wealth consolidation of the elites, but now it's backfiring because of the greedy hackers. All they have to do is keep destroying the OS's of the phone systems and the rest will fall into uselessness. - RL)

3ab) *Haste makes waste. Stop being in a rush to get things done, because everything will break on you, and accidents will happen. (I've seen many times people hurry, hurry, hurry, and don't take care to pay attention to things, or they don't warm up their car, then it fails on them. They rush in construction and serious accidents and death happens, like a recent walkway overpass collapsed during construction, with many injuries and deaths. - RL)*

3ac) *Abolish ordinances for “beautification” standards, or property appearances. (Many neighborhoods have management that have ridiculous standards for appearances, for example, I'll call them Stepford Estates, if you know what I mean by the movie, Stepford Wives Club. They became very strict in what you could have or do, far beyond normal. You couldn't have basketball hoops, no car repair; no cord running to your car [so what if you have an electric car?] no toys in the yard, no fences, no ad infinitum, no nothing, too perfect, and they would fine you if it wasn't. The management was so ridiculous, one year they had a contest for making the best garden, the next year they fined you if you had a garden. Needless to say, the vacancies went up to half, and people couldn't sell their homes, not even for \$1000. They just abandoned their homes, and took the losses, because nobody could stand living with such strict punishing living conditions. It was so bad, I had the idea to post in the huge bill board close by, Stepford Estates, this exit, and then some pithy saying to warn everyone away. We should never be required to mow our lawns, especially if you have medical problems like broken feet, like I frequently get. - RL)*

(New to version 4.1)

3ad) *Allow gender mixing, instead of pigeon-holing children into gender roles, and not worrying about intimate sexual relations, never punishing for it.*

3ae) *Everyone who was punished for anything, will be compensated and rewarded, while having all their lost possessions, rights, and privileges returned. See [3e](#). (The time has ended where people and authorities stop punishing each other, because it's just plain cruel and it never worked.)*

CONCEPT 4

4) Right to Mercy; or

Concept 4) Right to Mercy; or Prohibition of Judgment, Punishment or Violation Over Others

(Forgiveness)

[Don't prejudge your reality in negatives.]

{To be a loving god is to grant mercy to all.}

(IMPORTANT: I realized that most people will take a pessimistic view against Concept 4, because it's the opposite of what everyone has been taught, without even thinking their traditions never worked. We must realize that every once in a while, humanity has a paradigm shift where we stop doing wrong and stupid things, like head hunting, witch burning, slavery, and soon we will stop PUNISHMENT and everything associated with it, because it never worked. We need to reward the criminals away from their wrongs, instead. PLEASE READ IT ALL THE WAY THROUGH, even if you don't agree. This is what is screwed up with the world.)

*(To compulsively punish, judge, police or captivate another for mistakes is the ultimate sin, and make sure you let punishers, judges, cops and prison guards know they are being the MOST EVIL BARBARIC TWISTED PEOPLE OF ALL. They are the ones who are holding everyone back from progress. Their self-reward will be eternal condemnation, guiltiness, and captivity. Compulsive punishment actually creates psychopathic killing behaviors. Everyone has a right NOT to be punished, for any reason whatsoever, especially criminalizing based on projection when no harm or malice was done. Stop retribution, or complaining about things that have no consequence. **Instead, reward toward their ideal, and away from your life.** -RL)
(Projection: The illusion that something could happen, then assume it actually did.)*

(I don't understand how nobody can see the insanity and cruelty of every form of punishment. All they say is cruel and unusual punishment; NO, PUNISHMENT DOESN'T WORK! It has never solved anything for the 3400 years since Moses fabricated punishment. Moses was a very evil man using good intentions to manipulate the ignorant people using their volcano god, Mount Sinai. He created fear

The 7 Concepts Constitution (Version 4.1)

based control systems to manipulate them into enslavement and war throughout the rest of time. It has been institutionalized in government systems without any foresight into thinking that punishment could be eliminated, as they think it will be here forever. As a matter of fact, the elites use it to control and manipulate the masses into racketeering them out of their wealth, and into enslavement, so the elites can get fat and wealthy far beyond their ability to use it. - RL)

(There isn't going to be any prosecutions, judgments or punishments, because it's all in your mind, and all a waste of time, unless you want me as a God to do it upon you. I don't like judging people because it's non-productive, and miserable for everyone. This behavior has fallen from our 5D hearts, but the judgment punishment habit will remain in 3D people, and they will remain behind to self-destruct. The people decide for themselves, to forgive themselves, is what determines the Final Judgment. - RL)

4a) Absolute mercy, forgiveness, love, support, kindness, assistance, provision, caring, appreciation, healing, aid, growth, understanding, respect, fairness, tolerance, encouragement, please, pleasantries, generosity, etc., for others, will be enforced and guaranteed. Always treat everyone and every thing in these manners in every way, because they will always remember the bad things you did to them.

4b) The ultimate sin is to judge another, because it's always unjust. **Absolute Law: ALL FORMS OF AUTHORITY ARE ELIMINATED FOREVER**, because every one of them is completely corruptible. **NO JUDGES, judicial, court, legal, police, law enforcement, security, incarceration, military, intelligence, religion, monitoring system, citizen watch groups, individual/community policing or reporting, or any fear based systems, shall ever exist; including anything or system that causes distress, restriction, violence, or violation on any individual or relatives; foreign or domestic; medical, military, or civil; public or private; or any organization whatsoever.** Nor shall any such external systems described hereto, be allowed to enter, have jurisdiction or extradition powers in the community. Nor shall any such systems/powers reside outside the community. (Those who willingly violate 7C systems will be vacated from those areas without harm, as in 4f. Those who unknowingly violate 7C systems will be forgiven, like in 4u) These systems can never be used in any rights, laws, guidelines, or to solve problems or projections (*i.e. assuming something could happen when it didn't*), with no exceptions. Every form of police or law enforcement is abolished forever.

(Judges and courts are eliminated because the authoritarians have packed the court system as a tool to promote their nefarious draconian philosophy and rule. This is key to disarming their power. We shall resolve problems through 4d. What is established fact is that 7C will get ZERO support from lawyers, judges, police, or anything having to do with law, because they have made oaths to prevent them from supporting 7C. Therefore, we're writing them off and eradicating them. They will never help us. They have all done a disservice to human rights by supporting greed and authority.- RL)

(It is a myth that police exist for protection. [Some would say, they only exist to clean up the mess.] They only exist to enforce an institutionalized retribution or punishment for the state. It's a fear based system that has never worked. Passive merciful measures must be used to solve problems. And always remember that these

The 7 Concepts Constitution (Version 4.1)

sociopaths/narcissists/psychopaths will plead for forgiveness to have their law enforcement job back, but they will always end up back to their abusive/punishing behavior. Law enforcement must be eliminated forever. If you think about it, the entire police force system is a scam, They criminalize anything you do with made up laws, fine you as an extortion or you go to jail, then get that money as pay. It's a classic racketeering scam. Don't buy into it, and nobody realizes it because it's backed up by their own government, which is also a scam through forced taxation. - RL)

Absolute Law: Everyone involved with Law enforcement (Police, FBI, Judges, prosecutors, security, etc.) of they do not resign, will be vacated^{4f}, or lastly Eternal Banishment if they refuse. (Eternal Banishment is like an execution to everyone, but they are not killed, as they are sent so far away, they can never come back. Because they are all entirely corrupt, with rampant theft, rape, rule, murder, and harassment of everyone, especially the poor and transgendered. We are not punishing them, but eradicating genocidal maniacs that are hell bent on destroying the entire universe. We are doing it to save ourselves. Earth humans created this sadistic disease called police, and it is our responsibility to eradicate and keep it from spreading to the universe. I'm sorry to all those cops who believe they are doing good, but your system is a miserable failure. - RL)

(We believe in accountability and justice for police brutality and ending racial profiling and targeting of communities of color and Indigenous peoples. Women of color and Indigenous women are killed in police custody at greater rates, and are more likely to be sexually assaulted by police, and women with disabilities are disproportionately likely to experience use of force at the hands of police, and sexual assault in general. We also call for an immediate end to arming police with the military grade weapons and military tactics that are wreaking havoc on communities of color and sovereign tribal lands. No woman or mother should have to fear that her loved ones will be harmed at the hands of those sworn to protect. - #WomensMarch, See also 4c.)

(Physical Violence - Perpetrated by the State - Sandra Bland, Michael Brown, Rekia Boyd, Eric Garner, Walter Scott, Freddie Gray, Jessica Hernandez, Tamir Rice, Jonathan Ferrell, Oscar Grant, Antonio Zambrano-Montes, Samuel DuBose and Anastacio Hernandez-Rojas. We know their names. Each of them died unarmed at the hands of police officers or in police custody. The chants are growing louder. People are angry and they have a right to be angry. We should not fool ourselves into thinking that this violence only affects those whose names have appeared on TV or in the newspaper. African-Americans are twice as likely to be arrested and almost four times as likely to experience the use of force during encounters with the police. African-American and Latinos comprise well over half of all prisoners, even though African-Americans and Latinos make up approximately one quarter of the total US population.

Physical Violence - Perpetrated by Extremists - We are far from eradicating racism in this country. Today in America, if you are black, you can be killed for getting a pack of Skittles during a basketball game. Or murdered in your church while you are praying. This violence fills us with outrage, disgust and a deep, deep sadness. These hateful acts of violence amount to acts of terror. They are perpetrated by extremists who want to intimidate and terrorize black, brown and indigenous people

The 7 Concepts Constitution (Version 4.1)

in this country. - #OurRevolution)

(Local governments that rely on tickets and fines to pay bills can become dependent on implicit quotas for law enforcement. When policing is a source of revenue tied to the financial sustainability of agencies, officers are pressured to meet internal goals which can lead to unnecessary or unlawful traffic stops and citations which disproportionately affect people of color. Implicit quota systems promote racial stereotyping and breed distrust between officers and communities of color. - #OurRevolution, See also 4t)

4c) Absolute Law: ALL FORMS OF PUNISHMENT OR RETRIBUTION ARE ABOLISHED FOREVER. No one or group has the right to do anything that places any judgment, violates, or prohibits the free will, or inflict and/or coerce their will onto, or causing anyone to feel harm, upon another, their relatives, or group for any reason whatsoever, or in a projective manner. If anyone says they are harmed, or will be harmed, feels unpleasantness, inconvenienced, at a loss, or hardship, or produce undesirable consequences, then the inflicted actions must cease and be reversed. No specific violations will be defined, and are entirely up to the one violated. Once defined, a violator must alleviate the problem. **NO ONE WILL BE PUNISHED FOR ANYTHING, ESPECIALLY MISTAKES, OR ANYTHING IN THE PAST, PRESENT OR FUTURE.** (If anyone tries to pursue, punish or detain you, say to them “I will not accept any form of punishment, because it's all cruel and barbaric.” and walk away. And if they persist, do 4h red to them, and walk away.)

All negative inflictions can never be used in any rights, laws, guidelines, or to solve problems or projections, with no exceptions. *(Passive merciful measures must be used to solve problems. Heal 3D with 5D constructs. eg. Restorative Justice.)*

The only time a group must be stopped is when an outcome is undesirable for the majority against their will. *(Like the power elites enslaving the destitute.)*

(But remember, some people may desire upon themselves, what appears to be a negative outcome to others, therefore all situations cannot be defined as good or bad, and no one has the right to determine what a crime may be. Many people enjoy and consent to being masochistic, so let them be, until they've had enough. It's unjust to judge what another desires, and then determine their outcome. Thus, we all have a right not to be judged [without consequences like punishment]. It would be more desirable, or just, to place psychopath/sociopaths/narcissists with like minds together and away from those unlike them, and unjust to place sociopaths at all, within compassionate people. Therefore, as long as they were with like minded people, and didn't bother or invade anyone, it would have been better to just leave Sodom and Gomorrah alone, because they were all happy being who they were, even if they were judgmental and negative. [Actually, if you read the details closely, Sodom and Gomorrah were exactly the same elite republican misogynistic pedophiles of today, but not authoritarian for world domination as they are now.] No one has the right to exterminate another, except when they exterminate or commit genocide upon others. - RL)

This incomplete list of traditional barbaric examples of what most everyone hates being done upon themselves, but not always, thus, do NOT create situations of, nor do the following:

The 7 Concepts Constitution (Version 4.1)

Judge, prosecute, persecute, police, interrogate, jeopardize(*as in to be put on trial in court*), punish, torture, execute, lynch, jail, detain, confine, isolate, internment, stock, arrest, penalize, punitive treatment, institutionalize, interrogate, confess, prove one's innocence, force guilt, abduct/kidnap, extort, enslave, fine, sue, peonage, shame, silence, damage, avenge, evict, frame, entrap, drug, permit, misogyny, misandry, bigotry, homophobia, separate, profiling, "broken windows policy" (punishing for stepping out of line for any slights), hate promotion, incapacitate, assault, punch, bitch slap, whip, spank, paddle(corporal punishment), hazing, battery, tie, chain, cuff, stone, bomb, poison, suffocate, strangle, cause the death of, behead, hang, amputate, lash, experiment on, inflict any harm, torment, sleep deprivation, preventative punish, threaten, burn, irradiate, tattoo, scar, force loud noises, being screamed at, invade, stalk/pursue, hunt, shoot, stab, cut, rape, grope, [forfeiture\(legalized police theft. AKA siezing contraban\)](#), use fear based ideas, create no win scenarios, plant evidence, create situations leading to punishment, indentured servitude, racketeering (proclaiming wrongdoing or protection, then penalizing for it), predatory towing, debt peonage, compulsive lying, [misleading consequential lying](#), bribe (lobbying) (*Lobbying is the linchpin to unravel fascism, preventing real democracy.*), thieving (wage theft), hoarding, exploiting, racism, violating, retribution, prohibiting education, hiding or deception, discriminating, debt slavery/ imprisonment/ collections, charging interest/ usury, in conspiracy of monopolistic practices (like ALEC), oppressing, forced snitching (depriving mercy), kill, instigating death and warfare, riot instigation, demonstration infiltration to incite violence. No one can proclaim "Ignorance of the law is no excuse," then dole out punishment without mercy, when they break those unknown or fabricated laws (*That's not justice, it's entrapment!*), or punishing those incapable of achieving something beyond their abilities or differences (*That's pure insanity*), and all forms of punishment (*blatantly, is a barbaric philosophy, no matter what reason*), or creating criminality (like making drugs illegal) or entrapment within society for the ultimate goal of profiteering or exploitation, like the jail system for slave labor or security systems and forces, deprivation of joy, jabbing fingers into another (*used to not be accused of punching, but still hurts like a punch*), digging fingernails into another, tug on ears, embarrassment (*is abusive punishment*), ... See [3ae](#).

(ALL THESE THINGS MUST END. They are all barbaric, in their face, as a philosophy, and not one of these things has provably solved any problems, but in reality every one of them has promoted more problems, because they are only intended to promote fear, so one elite group can achieve power over others. - RL)

(Upon writing this list, I forgot to understand that, 'Who am I, nor anyone else, in determining what is good or bad for all, even if these things are horrid. For everyone is different, and it's all about real free will, and the lessons they give.' Don't burden yourselves. People like to be judges, but very few like their outcomes. We all have a right not to be judged and punished. Vindictive traditions must cease. If you do get caught up in this corruption, it will happen until you learn to change away from the retribution system. - RL)

(For lessons sake, instead of saying, "You've been raped. Now we must jail the perpetrators.", we can say, "You've been raped. What did you learn? What was it like? How can you live with it? Etc. Can we try experiencing it?", and that is the

The 7 Concepts Constitution (Version 4.1)

reality of life when you live and die, because you unconsciously chose it without knowing it. It's not about forgiveness, but what growth can be achieved by experiencing it. Forget the negative list above, and grow in its experience. Don't miss the point, these are all horrible things and should not be done, but for the experience of understanding the destructiveness of negativity, and replacing it with the constructiveness of positivity and respect. Every violation mentioned above is the same as rape, because it violates everyone within the atmosphere of fear, and fear is an illusion. Otherwise, why would one person enjoy having the same thing done to them over and over again, while another feels violated for having the same exact act being done to them? Therefore, rape is essentially an illusion.

There are a large number of people who are complaining about not doing something about sexual assault. For comparison with my own experiences, my father tried to cut my penis off when I was 12. This is worse than rape. Sure I was crying and screaming for him to stop, but the assault lasted for about 10 minutes. But I got over it, and I carried on with my life. I never think about it, but rarely. No real damage was done, but the experience strengthens you. I can name several occasions where someone did something bad to me. Many left permanent major noticeable scars for the rest of my life, but I survived and got over them, despite the ridicule, and I carried on stronger and better, knowing not to do things like that to harm anyone. I accepted and adapted to my differences, and I'm proud of my badges. Many things in this constitution are the result of my abusers, and this will make everyone's life better in the end. - RL)

(The police have made people an accessory to a crime if you harbor a fugitive, or not snitching on people you know, thus not letting people practice the virtue of mercy, [which is the action of love,] and force vengeance instead. Co-user laws are horribly unjust, where they penalize you by taking your vehicle if a passenger possesses illegal drugs, or jail you for having someone die of a drug overdose in your house. Prosecution by being ignorant of another's illegal behavior, is wrong. Nothing should be illegal, because we never consented to what some authority group says. - RL)

(We will never end the crime until we stop criminalizing everyone. Retribution has failed, and need to look for other methods to solve problems instead of through fear instigation. Police and judges are nothing more than a solution looking for problems, and actually cause more problems than they're worth. We don't need them, and must eliminate the entire law enforcement philosophy, and use a rights encouragement philosophy like the 7C System instead. Cops are a Cancer On the People, a Crushing Of Personal Sovereignty, they Criminalize Our Philosophical Sanctity, and are Continuous Overlords of Punishment. Police originated from the Slave Patrols or militia of the 1800's, and it never ended. As the authoritarian system progresses, the people will begin suffering from Post Traumatic Stress Syndrome/Disorder, because we will never know when we will be harassed, terrorized, or executed from these "monster devils" that criminalize everyone. Compare the evidence of video to police testimony of every shooting, and they always show compulsive lying in every one. These are extra-judicial executions. They have a habit of compulsively beating everyone, despite the propaganda stating that cops are good. - RL)

(Criminals have discovered that if they become a cop, they are completely immune from any prosecution or accountability for their crimes to commit rape,

The 7 Concepts Constitution (Version 4.1)

theft, beatings, and murder. There is no oversight whatsoever, and they even protect each other from their crimes against humanity. Cops are criminals, literally on steroids, to brute their way into absolute power and authoritarian rule. This must end. - RL)

Absolute Law: (duplicate of 4b) Police are forever abolished, fired, and if refuse to comply, will be vacated 4f, or lastly Eternal Banishment if they refuse, as stated in 4b. (This is not for punishment, but survival of humanity.)

(On the other hand, say you're poor enough to not pay anything, you made a California stop at a stop sign, can't pay for stickers, and you were fined (or punished) the 10th time, or you failed an emissions test [punishing the driver for being trapped into using a defective pollution causing vehicle], or couldn't afford insurance; anything enough to have your drivers license taken away. This will harm a string of other industries, you no longer drive a car, which uses no gas (not necessarily bad), no more insurance, no more tolls, no more car washes, no more entertainment, no more far away jobs, no more vacations, no more shopping, no more ad infinitum, etc. Think of all the people that lose potential income because the punishment system lets a cop get greedy with illegally given implicit ticket quotas, and arrest quotas. You did nothing wrong, but the system punishes unavoidable situations and being at the wrong place at the wrong time, without forgiveness, thus destroys the economy, and hurts everyone in the end. Even if somebody did do something wrong, how does punishment fix the problems, EVER!? A 3400 year old insanity. By dwelling on and punishing the wrongdoing of others, you are creating a burden not only onto the others, but burdening yourself too, housing them in jail and other externalities. - RL)

(Police, fire, trains, and EMTs, are also the cause of most noise pollution with their deafening sirens, horns, and helicopters, especially in poor areas where they are not creating noise. Then we also have boom box cars, including loud exhausts, jets, EL trains, Harley Davidson motorcycles, lawn mowers, and other yard equipment, etc. Meanwhile, industries are the creators of most noise making equipment, while police do nothing about it. Here again, police don't work to help anyone, while punishing the poor. If you look at downtown Tokyo, it's so quite you can hear people whispering. They make special attention to keep everything quite. - RL)

(Sure, we are all brought up in the 3400 year tradition of punishing wrongdoers to make others fearful from doing wrong. But, here's how you eliminate fear. Immerse yourself into your greatest fears, and you will transform yourself into a fearless human without apprehension and all the other problems of fear. This automatically puts the kibosh on the effectiveness of punishment. The regressives would have you believe the most extreme torturous punishment is the most effective. Not anymore. And it never was. As a matter of fact, masochistic thrill seekers will actually find the most extreme and painful punishment, and get pleasure from it. Drug addicts never stop stealing, because their addiction is expensive. Murders never think about execution as a penalty, because they are way too passionately immersed in the immediate resolution of their own problems or reputation. Fear is beyond them, and killing is OK in their mindset. So the only practical resolution is to deport them far away. Execution is statistically proven not to work. And, 99 years in jail for abortion is a completely religious philosophical punishment, and plain evil and cruel. - RL)

(Eye-witness testimony is highly unreliable, especially because many people can't

The 7 Concepts Constitution (Version 4.1)

remember faces or situations with any accuracy whatsoever, albeit, from poor vision or bad facial recognition skills. Personally, I have a bad time remembering names and faces, especially dark faces because the dark skin hides their features. I also have bad vision, and also learned not to stare at people, because it's intimidating to them with my soul piercing psychic stare, because I'm God, and that freaks everyone out, and I learned to hide it when I was young by not looking at anyone. Nothing witnessed can be reliable because of all various countless reasons. - RL)

(There is now a new major problem with eye-witness testimony, and that is the "Mandela Effect". Where large groups of people remember things differently than the others, either because of different timelines merging or some other unusual dimensional phenomena. We can no longer judge or convict anyone based on anyone's testimony, because now everyone will remember facts from alternative realities, but apply them as if there were only one reality. Now we can see extreme injustice and unfairness in any judicial system. It doesn't work. Even video recorded media can't be used, because it also changes or records one or the other timeline, not including video tampering so easily produced today. It's no longer proof that an event occurred in one parallel timeline to another. As a matter of fact, evidence shows both timelines have been recorded and show different pictures from each timeline, we're finding it all over the internet. It's not Photoshop, because people have actual memories too. The "Mandela Paradox" nullifies the entire judicial system, because this phenomena is real. - RL)

(Why is it that whenever there is a medical or fire situation, the police always have to show up, having nothing to do with it, and have no training in EMT or firefighting. I know, they do traffic control. One time, I called an ambulance for somebody having a drug problem or heat stroke, standing in the street. But a cop shows up and can't see him, so turns the ambulance away. Stupid! Cops get in the way too much, all the while loaded with fire arms and bullet clips like they are ready for war. Seriously!?! Something's wrong with that. We don't need them as much as advertised. - RL)

(We believe it is our moral imperative to dismantle the gender and racial inequities within the criminal justice system. The rate of imprisonment has grown faster for women than men, increasing by 700% since 1980, and the majority of women in prison have a child under the age of 18. Incarcerated women also face a high rate of violence and sexual assault. We are committed to ensuring access to gender-responsive programming and dedicated healthcare including substance abuse treatment, mental and maternal health services for women in prison. We believe in the promise of [restorative justice](#) and alternatives to incarceration. We are also committed to disrupting the school-to-prison pipeline that prioritizes incarceration over education by systematically funneling our children—particularly children of color, queer and trans youth, foster care children, and girls—into the justice system. - #WomensMarch, See also [Ad.](#))

(End For-Profit Detention. We must fight to end federal, state and municipal contracts with for-profit private prisons within two years. Termination of these contracts will eliminate the incentive for the private prison industry to support punitive, over-inclusive laws that lead to the detention of 34,000 immigrants on any given day. In addition, we must push for Congress to enact the Justice is Not for Sale Act, which would reinstate a federal parole program that will include immigrants. -

The 7 Concepts Constitution (Version 4.1)

#OurRevolution)

(Require police departments to adopt policies to ensure fairer interactions with transgender people, especially transgender women of color who are often targeted by police unfairly, and institute training programs to promote compliance with fair policies. - #OurRevolution) (I will also add, police actively target, harass and arrest transgender people, for nothing.- RL)

(Millions of lives have been destroyed because people are in jail for nonviolent crimes. For decades, we have been engaged in a failed "War on Drugs" with racially-biased mandatory minimums that punish people of color unfairly.

It is an obscenity that we stigmatize so many young Americans with a criminal record for smoking marijuana, but not one major Wall Street executive has been prosecuted for causing the near collapse of our entire economy. This must change.

In many cities all over our country, the incentives for policing are upside down. Departments are bringing in substantial sums of revenue by seizing the personal property of people who are suspected of criminal involvement. So-called civil asset forfeiture laws allow police to take property from people even before they are charged with a crime, much less convicted of one. Even worse, the system works in a way that makes it very difficult and expensive for an innocent person to get his or her property back. We must end programs that actually reward officials for seizing assets without a criminal conviction or other lawful mandate. Departments and officers should not profit off of such seizures. - #OurRevolution)

4d) Only a confrontation and acknowledgment of a violation of 4b and 4c, may occur to inform a violator and resolve the problem. Never pursue them. Recurrent violations may be dealt with by mediation and absolution to resolve disputes. No one can proclaim anything if no harm was done, nor projection, nor hearsay. See 4aw.

4d1) Mediation (Due process): Restorative Justice. Both parties must achieve temperance and peace. Failed negotiations may include: The separation of the parties, equitable replacement, peaceful makeup where both parties win, etc. If parties cannot decide, the one with more wealth or authoritarianism, loses by default.

4d2) Absolution: Those committing crimes **must be given the needs to life that will prevent them from harming others in the first place.** *(People doing the wrong things shows there are flaws in the system. Stealing money, and such, thus committing harm, because they are broke. Is it the criminal's fault, or the system? And this goes all the way up to corporate greed and sociopathic behaviors. To those wealthy people who disagree to giving offenders living money, it is costing you 10x more forcing them to be broke, because that's how much it takes to get your stolen possessions back, from the cash in they converted. And then they will never stop. It's like insurance, you lose it anyway, but you will never be anguished over it. - RL)*

4e) For the full protection of 7C citizens, Wingmakers, or abridging anyone's 7C Rights, residing throughout the universe, time and dimension. The following will be rewarded a permanent vacation using methods listed in 4f, will be given to anyone in the universe, all authoritarian/ capitalist/ fascist/ feudalistic/ oligarchic types, all universe/ world/ government/ business/ religious/ news-media officials, all militia/ military/ intelligence/ police types, or anyone using lethal force; who have been found doing anything listed in 4b, 4c, 7a & 7b.

4f) (Due process) For Offender Vacation (Pertaining to those who willingly admit

The 7 Concepts Constitution (Version 4.1)

to offenses or dissent. Exceptions are to those who are under duress, refuters, remorseful, accidental, coerced, or help fix the problem.)

4f1) Without any part of The 7 Concepts being violated towards them, Mandatory, Merciful, non-punishing, and nonlethal permanent vacation. The offender's family is free to go with them. Vacation methods are “Need to Know”, and decided by the offender's choice (*Offenders will determine their own sentence. See [4aw](#), [7d](#) and [7p](#)*):

4f2) If they are wanton, willingly and maliciously damaging people's lives, they will be Eternally Banished, or automatically dimensionally shifted out of our existence, or through Montauk/Love Technology, giving exile to extremely distant space, time, dimensions, alternate time-lines, planets accepting such people of like mind, or designated reserves, so they never return. **IMPORTANTLY, SEE [7d](#) and [7p](#)**. (*Just acting in their maliciously deviant hurtful behavior because of their state of mind, is enough to shift them out of our 5D Earth dimension. - RL*) If they cannot decide, they will be sent to a time and place that best fits their temperament and demeanor. If these methods cannot be achieved, deportation into exile will be given. (*This is the most humane method to deal with them. Offenders don't feel they are doing wrong, therefore make their own place to be free, and all will be happy, like [3z](#)*.) (*Even though many feel these measures seem unrealistic, but they actually exist today. The dimensional shifting is occurring now with 3D, 4D and 5D separation of people, based on fear and love, respectively. Many 3D paranoid people want protection from deported murderers, but will never believe in alternatives from archaic barbaric traditional execution or prison. People murder because they believe in the tradition of punishment, power, control over others, and the sheer anger over another destroying one's life, erroneously thinking murder will fix the problem. Harmonious things you can do is, eternal separation from them, work your problems out, but never kill. Authoritarian power mongers can only be separated away. **And if you send them to a place that they like better, then they will never want to come back. It's as good as execution, but you never killed them.** Note: Some people may develop psychic skills to teleport others, like banishment very far away, or to other dimensions. Many aliens can do this. - RL*) **Death penalties (execution) and punishment is forever abolished, and explained in [4ai](#).**

Exceptions: If the offender/accuser reverses the claims, or resolves the issue, as in [4d](#). (*Everyone deserves a chance to fix the problem. - RL*)

(*Reduce Border Deaths. We must fight to reduce the unacceptable and inhumane number of deaths on the border. One practice that has no place in a humane immigration system is the use of remote deportations. Dumping someone in an unfamiliar location can be lethal as the State Department has recognized that parts of Mexico are run by “organized criminal groups.” - #OurRevolution*)

4g) See [3e](#) for non-violent criminals. All violent criminals will be determined if they are obsolete or curable, and only then will they be pardoned. All prisoners who were kept in solitary confinement, are heroes against the authority system, and will be rewarded gracefully and handsomely. See [3ae](#).

(*We must end the over-incarceration of nonviolent young Americans who do not pose a serious threat to our society. It is an international embarrassment that we have more people locked up in jail than any other country on earth – more than even the Communist totalitarian state of China. That has got to end. - #OurRevolution*)

The 7 Concepts Constitution (Version 4.1)

4h) #MeToo Sociopaths/Narcissists/Psychopaths/Punishers/Abusers (*those who get pleasure by doing wrong, regressive*) will be found, confirmed, and separated away in their communities. Those destructive to society and absolutely cannot be turned from their disharmonious ways, must be vacated using 4f1. (*Universal Truth: If a disharmonious entity continues controlling/violating a society to their total destruction, such an entity will eventually completely self-annihilate. It's the law of the Cosmos. See the result of the oligarchy of monopolies or authoritarians. - RL*)

(Many sociopathic teenagers believe they are underage, and therefore immune from liability, so they find excuses and immunities to commit harm upon others. 7C has no statutory age restrictions. If you are cognizant of this realization, you are consenting and liable to any actions you do, even at age 7-8, when this occurs.- RL)

4h) RED *[I've been questioning whether to leave the following in, but I'll let you decide, because it's not a virtuous solution, and sometimes we don't have a choice. But, until we have a better defense, 4h red maybe all we have. CRITICALLY, WE NEED TO AVOID THE FEAR CONSTRUCT, TOWARDS LOVE.]*

[If you're struggling to read this, you don't have a "need-to-know" this information.]

(Because the elites have held us prisoners for their own greed by withholding all our needs to life, we may euthanize them, if they don't permanently leave, with their ill gotten gains left behind. And, we also have a right to self-defense.

In extreme cases, some individuals like to make life hell for others, and that's why we have to get rid of them. Regardless of Concept 7, if you're cornered by one of these arrogant assholes, poke them hard in one of the lethal Dim Mak points, located directly over the location at which the carotid artery bifurcates into the internal and external carotid arteries.

The stomach-9 point is reputed to be able to cause knockout, death and delayed death. This part of the artery contains a special sensory organ, the carotid sinus,

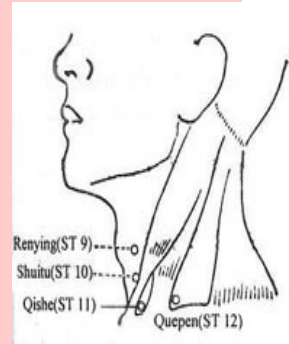
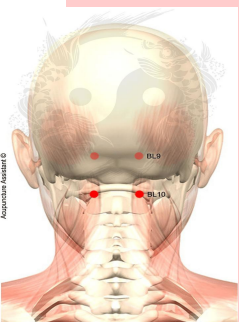
which monitors the pressure of the blood that flows to the brain. 80 percent of blunt carotid artery injuries result in death or severe neurological impairment. You can also use your thumb, much like the Vulcan Death Pinch.

[Near this is the stomach-12, where you curve your finger down inside the soft spot against the collar bone to get to it, but it's not lethal.]

Also, located on the back of the neck at the base of the skull, the bladder-10 point is considered one of the most lethal dim mak points. The mechanism of death is believed to involve stimulation of the occipital nerves leading to dysfunction of the autonomic nervous system.

If they die, their negativity will be taken out of our world. This may be done to all authoritarian types. Be smart and discreet when doing this. These people won't even exist on 5D Earth, and Dim Mak won't work in 5D because you cannot die. - RL)

To be used only in self-defense.



The 7 Concepts Constitution (Version 4.1)

4i) While the entire prison population is pardoned or vacated, all incarceration and jail facilities will be destroyed worldwide. (*Free Ross Ulbrecht, and over 10,000,000 other innocent prisoners from the barbaric failed punishment system, most of whom are there for political reasons. - RL*)

4j) Vigilante justice must be done in a way to benefit the public. See 3ae.

4k) If any group decides to create anything to produce world genocide or world oppression, that entire group must be eradicated instantly with Eternal Banishment 4f2, BUT NOT EXECUTED. This includes the mandatory permanent vacation (not execution) of anyone supporting the American right-wing philosophy. (AKA, Conservatives [regressives], elitist Republicans, Koch Cato Libertarians [not left-Libertarians], selfishness, *Aynn Rand*, ALEC, Neo-Liberals, Neo-Conservatives, Tea-Party, Fascists, Corporatists, Nazis, dictatorships, Nationalists, Authoritarians, supremacists, Alt-Right, KKK, fundamentalists, GOP(Gog), MAGA(Magog), Corporate Democrats, etc.). (*This should be clearly posted for all to see.*)(*Did you notice, 'MAGA' is on their foreheads, AKA, the mark of the beast?*)

Since these Elite Republicans (sociopaths/narcissists) always lie, cheat, steal and kill to win, have a desire to hurt others, then eventually destroy society, they will automatically be banned and exiled from 7C society. All right-wing citizens listed herewith of the United States will be prohibited from voting in 7C and US elections, as their vote is disqualified. (***You need to eliminate all of them from your world; friends, family, coworkers, media, etc. They will not change, there is no hope for them. Run away. Waste no time! Find real 5D people. You get into 5D Earth by banishing all negativity from your existence. See 7a.***)(*The elite Republicans have constantly cheated and rigged elections in every conceivable way to win, and has the philosophy to hurt others, [Conservative supporter complains shutdown is 'not hurting the people he needs to be hurting']. So, WE ARE KICKING THEM ALL OUT, and giving them their own territory on 3D Earth, called The "Republican [Confederate] States of America", of purely Right-Wing people to let them have their way, separate from everyone else, as in 4n. They are all exiled from 5D Earth. - RL*)

(*Big Money in Politics - #OurRevolution*)

4l) All members of any group or business worldwide, making laws, imposing judgment, police or military forces upon any 7C Citizen will be instantly vacated. All U.S. Right-Wing politicians and people, as in 4k, will be vacated, and their associated philosophy, including that defined herewith, (*like 4e*), be eliminated and warned never to return, **OR BE INSTANTLY BANISHED 4f2, if they return**. The rights of sanctuary cities or centers is absolute, and shall never be violated. (*This should be clearly posted for all to see.*)

4m) Nobody can be punished or penalized for not paying child support while in poverty. See 2mo. (*This is obsolete in the 7C system.*)

4n) All American Right-Wing people are rewarded for free, (dated from 2000) all the land below 80 meters elevation, to be strictly marked off, while all other people are prohibited within this territory.

(*Big Money in Politics - #OurRevolution*)

4o) All legislators will be forced to live continuously those laws they create upon others, especially presidents, (*Like drug testing will be applied to those governors every minute, because they said food stamp recipients need drug testing. Or, any*

The 7 Concepts Constitution (Version 4.1)

punishment laws made will be given to those legislators who created those punishment laws for eternity. "Those who leadeth into captivity, shall go into captivity." Rev.13:10 - RL).

4p) #AnimalRights All animals shall be protected from experimentation, dissection, etc.

4q) (Due process) By majority petition, those jobs or people causing grief upon others will be banned from existence or vacated 4fl, respectively. *(Such as landlords, police, bullies, abusive coaches, CEO's, etc.) (We will get rid of those jobs forever.) (Grief, includes those who are combative, dishonest, destructive, vengeful, actively disruptive, bossy, etc. - RL)*

4r) Paranoid behavior and policies of any thing or anyone is banned. And, no one has the right to accuse anyone of unfounded or fabricated offensive claims, or projection, and then act upon those claims as if the offense was real. *(Such fear based behaviors automatically bans you from 5D Earth.)*

4s) ALL POLICE, LAW FORCES, JUDGES, PROSECUTORS, INQUISITION, AUTHORITY, SECURITY, OR MEMBERS OF ANY SYSTEM THAT CLAIMS WRONG DOING OF OTHERS, OR TOUCHES OTHERS FOR ANY REASON, IS ABOLISHED, and will be actively vacated, if claiming to be such people. *(Because these systems always create predatory behavior without mercy. All authoritative or violent philosophies must be eliminated, if we are to progress as a society. The institutionalization of this behavior is what is holding us back. - RL)*

(If anyone finds distasteful art or expression, you must take it with a stiff upper lip. It's everyone's freedom to make anything they like. - RL)

4t) CIVIL FINES, TRAFFIC FINES & PUNISHMENTS, AND VEHICLE INSURANCE OR FEES ARE ABOLISHED.

(Local governments that rely on tickets and fines to pay bills can become dependent on implicit quotas for law enforcement. When policing is a source of revenue tied to the financial sustainability of agencies, officers are pressured to meet internal goals which can lead to unnecessary or unlawful traffic stops and citations which disproportionately affect people of color. Implicit quota systems promote racial stereotyping and breed distrust between officers and communities of color. - #OurRevolution)

4u) (Suggestive, and Not enforceable) *Protected Yellow Zones are used to warn against critical areas within Red Zones. Penetrated Yellow Zones violators will be let off with a warning, and will be told "Can we help you? You appear lost. You are about to enter a dangerous area." Penetrated Red Zone violators will be consensus vacated using 4q, except for authorized personnel. 4bk must be heeded. (Effective, until we develop protective force fields and such.) (The closest thing we have like this is the red fire hydrants, and yellow parking prohibition zone. We need to restructure things like this into methods of being physically impossible to blockage. Punishing or parking fines are an ineffective and cruel entrapment. Be sensible and practical in city design. - RL)*

4v) All forms of security checking, stop & frisking, being pulled over, customs checking, tolls, etc. are abolished. (e.g. TSA, Customs, Border Patrol, ICE, check points, etc.) Asking identification is abolished, as stated in 3a.

The 7 Concepts Constitution (Version 4.1)

(Close Loopholes that Allow Racial Profiling by Federal Authorities. We will fight to end racial profiling. Immigrants should never face deportation as a result of racial or ethnic profiling. We will work to revise the U.S. Department of Justice's Guidance Regarding the Use of Race by Federal Law Enforcement Agencies. Under the current guidance, the Department of Justice carved out significant exceptions for federal law enforcement agencies like the FBI, TSA and Customs and Border Protection (CBP) to profile racial, religious, and other minorities at or in the vicinity of the border. Furthermore, the Guidance does not apply to most state and local law enforcement agencies. - #OurRevolution)

(Border Security and Militarization - #OurRevolution, all of this is ended, and obsolete)

4w) Any external system that fines or penalizes any 7C citizen or organization is automatically counter-fined or penalized double, or banished from existence.

4x) No one can penalize others based on the offenses of their ancestry, kin, race, gender, identity, profile, or any characteristic imaginable.

4y) *(See 4c.)* In 5D Earth, theft will be impossible, because it will automatically be returned to its rightful owner. To anyone threatening to, or committing the act of, repossession, taking, stealing, removing, discarding, relocating, demanding, scamming, etc., the possessions of another person, for any reason, without permission, or in coercion, or deception (Shoplifting for critical needs is not included, because necessities to life should be free, because it is not for vanity or addiction. *Although, those who [shoplift for the high](#) won't be punished, therefore, they won't get the high, thus won't steal in the first place. Also, 1/3rd of shoplifters are doing it because of depression disorders, showing a medical problem, which can be resolved in a full function 7C system.*): Similar to [Restorative Justice](#), they must return or restore all their stolen or discarded property to their rightful owners, and they will be held in front of victims of theft and be told all the complete stories of how the victims lives were ruined and affected by the thief's actions. As they are 99% likely to be drug addicts, they will also get full treatment defined in [2ab](#). Throwing out another's property without permission is like theft, but carelessness of another's property, thus a suitable replacement must be returned, and all will be forgiven. Absolution will be given as in [4d2](#), to help fix the problem. If they compulsively violate (serial theft) 4y a 2nd time, they will be vacated [4f1](#).

Parents have no right to repossess a child's possessions, no matter what reason.

(As a victim of burglary and theft over 30 times, I am very pissed at these people. What gives them the right to think they can take anything not belonging to them, that they never paid for, or worked on, without permission, or, even demanding that or deceiving someone to forfeit their hard earned property? Even as a child, my father took away nearly every last toy I had, just to torment me out of the hatred he had against my mother. I could go on a very long time with hundreds of stories. In the future, most people will become psychic, and find everyone who stole their possessions, so theft will be a thing of the past. Right now, we have GPS tracking, which should never be used to track people for retribution. - RL)

(The solution to theft is to make everything free, and eliminate the need for money. Making drugs free and legal automatically drops theft down to 1%. But the elites created this scenario so they could make lots of money off of artificial drug crime and

The 7 Concepts Constitution (Version 4.1)

the security infrastructure it imbues. Scarcity is artificial and imagined, because there is enough of everything to go around. - RL)

(In the bad economy, the theft is getting so bad we can't keep up with locking and tying everything down, because the thieves figure out something new to steal all the time. Bicycles, tools, car tires and batteries, air conditioners, pets, jewelry, important papers, anything that isn't bolted down hard or barricaded. If it fetches a price, they will steal it. Even most malware hackers are drug addicts. It costs us such a huge amount of money we don't have, and we can't replace anything any more. We shouldn't have to live like this keeping a mind on locking all our things we need for our survival. Cameras, alarms and guns don't work either; they do it anyway. You can't have unknown people or kids in your house when acquaintances come over, because they could be scoping your house to burglarize it later. Most of them are between the age of 8 and 30 on up. Some people call you up, or a close friend or neighbor, to see if you're home, then they burglarize your house when your not there. Every opportunity a thief has, they will take it, and ruin your life. And if you stay vigilant, you might kill a loved one with a gun, or you can't quite tell who is doing the theft, because they know your watching. This whole life is a load of bullshit frustration for everyone, when people like this exist. They don't care, doing this for decades as a career, because they almost never get caught, and they get good at it, all because of drug addictions. There was a time when we never locked anything up, at least not so severely, because heavy drug addiction problems didn't exist. - RL)

(By experience, when you accuse someone of theft, if they want to fight you, or vigorously try fighting their way out of it with lots of ridiculous excuses and reasons, that usually means they did it, because guilty people talk too much. But if they act confused or shocked and don't know the details, they probably didn't. A thief knows directly what you are talking about, because it's the only thing on their mind. If someone stole from you, they avoid you for the next few days, and may become offensive to you after, if they're not your friend, even if you didn't accuse them. Or if they are your friend, become too friendly if you don't suspect them, so to make it easier to scope your stuff to steal more.

If they're drug addicted, and try to wedge their way into your life, watch out, because they will steal from you soon. The more skeptical you are to psychic abilities, the more vulnerable you are to trusting them, and not trusting your gut feeling. Always trust bad vibes you get about someone. If something they do looks awkward or puts you in a strange position, watch out. These drug addicts can get very dangerous if they don't get their way, and can risk your life, because the only thing they're thinking about is themselves only, and getting off their hangover to their next fix, like a sociopath. Being a drug addict is such a fucked up life, you have no car, job, or money, leach off of everyone, you steal from and ruin people's lives, then you get high and zombied out walking in the middle of street not knowing what the fuck you are doing. You have no life.

Drug addicts, corporate thieves[CEOs], and police [who personally steal more than everyone else combined, and enforce the anti-drug policies, which indirectly cause all theft], are going to have a serious problem kicking their drug/money habit and career theft, because they are the most damaging to society. If they are always looking for opportunities to steal, they will not be entering 5D Earth, and will be

The 7 Concepts Constitution (Version 4.1)

vacated to 3D or other equally appropriate places. Once a thief, always a thief. It never ends. - RL)

4z) #MGTOW Anyone accusing another of sexual assault, child molestation or any other imaginary offenses, using baseless hearsay, automatically gets vacated 4f1. Evidence can never be used against the accused, because it's too easy to plant it. *(Because many people like to manipulate others using this, and give innocent people a criminal record based on pure hearsay or planted evidence. This is also how the Sex Offender Registry destroys LGBTQI rights.)* Statutory rape is abolished, if it's consensual *(after puberty)*. *(In combination with the retribution justice system, many women like to use rape accusation as a tool of manipulation over men, and cause men total destruction of their lives. Rape will no longer be criminal, and never be punished. [Punishment is abolished 4c.] Please use 2ac for real rapists. The girls who cry wolf can't be believed, and counter-integrative. #MGTOW*

To those proclaiming "statutory rape," consider this: Mary was pregnant with Jesus at the age of 12, and the age of consent in the day was 13. God is now a pedophile, committing statutory rape. Proof: 'The Life of Jesus', by AMORC – RL)

(This topic is quite controversial, and should be relegated to Restorative Justice. Therefore, this type of extortion can no longer be used, making 4z obsolete. -RL)

4aa) If anyone makes a mistake, give them a hug, and fix the problem.

4ab) If an issue has no consequences, forgive and forget it. *(Many people blow things up in an enormous rage over aesthetics, imaginary slights, resolved or nothing issues, words, gestures, facial expressions, or could have happened scenarios, or anything in Concept 1). This makes no sense. The punishment or retribution philosophy causes this behavior. This is a problem especially for gangs and persecuted peoples, where they fight immediately over the most ridiculous things, and many people get hurt or killed for it. Many people don't give up fighting and surround themselves in hate and fear of retribution based on total imaginary delusions. They can't differentiate social norms or unfamiliar behavior and threats, so become offended at anything. This is very dangerous, stupid and barbaric. They even become threatened by high intelligence, and have a narcissistic reaction. Many in black or oppressed communities have this issue and come to territorial, prideful, or racist reactions. They protect their bubble world. It could be instinctual fear of the unknown, they can't get over other people's different personalities. - RL)*

(Many people like to bark out orders to get things of no importance, or no immediacy done, as if to feel better or powerful. They want us to drop everything for their immediate whims. We can try again and again to get them to stop, but insist on proceeding with this addiction to be willfully ignorant, belligerent and boss others around. Everyone has a right to their own free will, and never to force their will upon others. These authoritarian people will be banned from 5D Earth, as they are completely incompatible to it. If you are on the receiving end of this, ban them from your world. There's no hope for them. - RL)

4ac) All adolescents are required to take gender relationship classes, to prevent sexual assaults, false accusations, stalking, and other violations over others. Or else, see 4q for real serial rapists, and 4z for women who falsely accuse rape. *(Other than the over 80% of women being greedy gold diggers, [which is the major determination of women deciding to date men.] Women need to tell men what they are doing wrong,*

The 7 Concepts Constitution (Version 4.1)

in everything. When a guy asks a woman, what is he doing wrong, don't run away, or say "If you don't know, I ain't telling you." [Actually, what men are doing wrong is they are not wealthy.] That's women being abusive to men. #MGTOW - RL)

4ad) PROVISIONAL: IF YOU DISHONOR OR DON'T LET US HAVE OUR 7 CONCEPTS SYSTEM, Every involved politician, judge, prosecutor, police and authority who has ever arrested, convicted or confined anyone, unless they mercifully reverse every case they have condemned; will be **BANISHED 4f2.**, unless they're replaced with a Merciful Restorative Justice system, like in Concept 4) (*Given how police treat us or blacks, we must eradicate every cop. They have plans to commit genocide on all black people, who cops believe are animals to be put down. - RL*)

(We have had the Montauk device since 1980, that can automatically remove anyone from anywhere, while seeing anything in space and time. We can remove the cops, or the person about to be executed by the cops. - RL)

4ae) Nobody can be labeled a criminal or any variation thereof. All registries used to marginalize anyone for any reason is abolished. See 3ae.

4af) Everyone has a right to live and end their life as spectacularly as possible, and even as they wished upon others. (*Because those trolls created that reality upon others, in their threats or wishes, so will be rewarded what they gave. - RL*)

4ag) Nobody shall have punishment, retribution, or discrimination against them for anything having to do with abortion, self-mutilation, self-abuse, masturbation, or any personal body physicality. Those that seek retribution for all these items shall be vacated 4f1. See 3ae.

4ah) Since the Elite Republicans punish, prosecute and execute every Democratic for any slights, while they get free reign to do the most heinous acts and atrocities of slaughter, and abridging of everyone not Republican, of all rights and freedom, they will receive the gift of their perfect 3D utopia. (*Progressives never punish.*) See 4aj.

(Big Money in Politics - #OurRevolution)

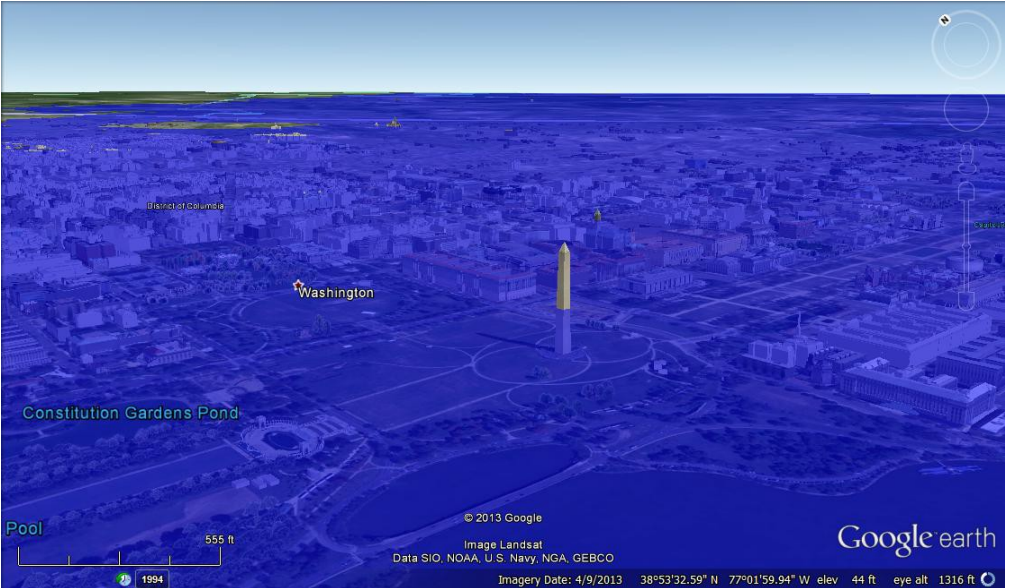
4ai) If you execute or murder someone, you are murdering another aspect of yourself. Because every person, animal, plant or alien is one of you, just reincarnated. The same with how you treat one another.

4aj) If you can fully grasp all the aspects defined in Concept 4), and all the other concepts, you may be able to achieve a Mercy Shift to 5D Earth. All the habits that society and people have done, and programmed to do, against others for imagined wrongs, was wrong in itself. Blame, punishment, retribution, attacking, judging, provoking fear, hatred, etc., are replaced with the Mercy Shift. If you have achieved The Mercy Shift, you can enter 4D and 5D Earth. And Joy to you, because that fear based torture loving 3D Earth will be destroyed in 2023. The Mercy Shift Vibration is the Consciousness Shift, or Dimensional Shift we've all wondered about. And there are more to come. Those that wish to achieve 4D Consciousness must live above 100 meters elevation by 2023.

(There is a dimensional science that many people are beginning to understand, called Earth shift or split. The frequency of the Earth, The Schumman Resonance, is rising from 7Hz to about 44KHz. You can hear it in your tinnitus. This will cause the Earth and it's people to raise in dimensional levels from 3D to 5D, and some even up to 7D, but only virtuous people with no fear or hatred can go, and negative people will be stuck in 3D. Also, the spirit of the Earth will depart from 3D, and cause a

The 7 Concepts Constitution (Version 4.1)

complete self-destruction of all life in 3D, but the 4D and 5D Earth will be alive. This will happen about 2023. Then, Antarctica's ice will fall into the ocean rapidly and raise the sea level over 80 meters, causing billions of people to perish, while the resulting tumult will destroy the rest. It's too late to change this. Also the higher Earth frequency will also cause the negative people to be stuck in 3D, because they couldn't shift into 4D and 5D, so they can't escape death either. They are forced to lie in their own bed of pollution, misery, and chaos. (See DC's Dick out of the water below.)



The 5D Earth is new, but similar, with the feeling of love, which is also 5D, and no pollution, danger, negativity or hate. People experiencing Mandela Effects or the Mercy Shift have been shifting into 4D and 5D before the August 12, 2018 window, the Earth's 5 year biorhythm date. The other possible window is in 2023. [It was stated the ascension event to be on July 31, 2018 for an entire month, which falls in line perfectly.](#) If you can completely eliminate your fear and hatred, as in the annotation of [4c](#), you can shift into 5D Earth. You will have appeared to die to those in 4D and below, but will be very much alive, and can still communicate to them through channel mediums. Everyone will disappear from your life existence to you, when you ascend. You will be a “Morontia Being” described in *The Urantia Papers*.)

(With this, there will be a 3D cleansing of people with genetic traits or mentality that lack the ability to think for themselves, that are easily programmed and brainwashed by the propaganda; Fox News watchers, white supremacists, authoritarians, fear mongers, hate mongers, war mongers, bellicose, punishers, gun owners, money hungry, fundamentalists, evangelists, territorialists, etc. These are primitive humans preordained on negativity for self-destruction. As there is no compatibility for them in the 5D Earth, being stuck in 3D Earth with fear. Their vibration is too low and negative to survive the elated harmonious vibration of love and light that is 5D. The negatives have had their day in the sun, and their last chance to take over the world, but have failed. - RL)

(Combating Climate Change to Save the Planet - #OurRevolution)

The 7 Concepts Constitution (Version 4.1)

(You're too late. No comprehensive solution will work, nor change anything. - RL)

4ak) If any group attacks in hate or gives you a hard time, give them love and kindness in return, as in 4a. *(How can anyone have the heart to fight someone beneficial to themselves? Those that cause trouble for others are being troubled themselves, as their reality is in conflict, so give them ease from their hardship, and all will be at peace. - RL)*

(Some people are so loaded with the disease of hate that they can't help but to punish everyone. If they loved, they would forgive and understand. Hatred is an addiction, like a drug, and can't be stopped. The only way to stop them is to eliminate them from existence, because hatred is a dimensional vibration of 3D Earth, just like love is a dimensional vibration of 5D Earth.

Many things feed into hatred, like greed, which is another addiction, creating unfairness, and depravity. The solution is altruism, abolishing money, and to love, but also banishing those who have that huge list of negativity.

Hateful people tend to punish to extremes, and never for correction, but for spite, and resentment that never ends, because they are genetically incapable of stopping the sociopathic or psychopathic gene. The 3D cleansing is the only way to mercifully eliminate it, because they are incomplete and defective. - RL)

4al) #LGBTQ The acceptance and inclusion of every type of gender diverse people in every race, religion, career, patronage, hospitality, family, health, medical, education, and all aspects of society as equals, without murder, rape, violence, violation, or trafficking committed against them, in all aspects of life. *(Exclusion is a violence of lack.)*

(We are committed to embracing and making space for trans brothers and sisters to participate and lead. We are committed to being self-reflexive and doing the work required to dismantle cis-gender privilege and uplift Black trans folk, especially Black trans women who continue to be disproportionately impacted by trans-antagonistic violence. - #BlackLivesMatter)

(Women have the right to live full and healthy lives, free of all forms of violence against our bodies. One in three women have been victims of some form of physical violence by an intimate partner within their lifetime; and one in five women have been raped. Further, each year, thousands of women and girls, particularly Black, Indigenous and transgender women and girls, are kidnapped, trafficked, or murdered. We honor the lives of those women who were taken before their time and we affirm that we work for a day when all forms of violence against women are eliminated. - #WomensMarch, See also 4c.)

(Advance policies to ensure students can attend school without fear of bullying, and work to reduce suicides. - #OurRevolution)

4am) #LGBTQ (Violation of Solitude and Seclusion. Castle Doctrine.) All people have the right to supreme dignity, privacy, and freedom from personal violation of their personal habitat, regardless of their being homeless, race, gender, sexual identity, religion, disability, etc., such as for bathroom duties, infant care, family care, personal care, dressing, self-pleasuring, cleanliness, etc., and to be free from home invasion. **Victims have the right to incapacitate, or use deadly force for protection, with 4h red.** *(Being a homeless TG woman in transition, many people feel I have no right to personal privacy or solitude, because they rudely and repeatedly open my door to my*

The 7 Concepts Constitution (Version 4.1)

tiny trailer, without permission, even after I keep telling them not too. Given how many people attack trans people, this can be very dangerous when intolerant people find out.

And many people just don't get it that I like to be alone in solitude, but they keep insisting on bothering me like a needy child. I'd rather do my own personal stuff alone, so leave me alone. I have personal things important to me, to take care of alone, and not all the BS you think I should be doing for you. Why should I drop everything instantly for you? I've had enough with toxic dependents, and I'm taking care of myself like I should have before, when too much got left undone. Some people are very pestering like that, and don't understand how invasive they are.

Otherwise, the state of mind for 5D people will be high enough where such violations of seclusion will no longer happen. - RL)

(We believe Gender Justice is Racial Justice is Economic Justice. We must create a society in which all women—including Black women, Indigenous women, poor women, immigrant women, disabled women, Muslim women, lesbian, queer and trans women—are free and able to care for and nurture themselves and their families, however they are formed, in safe and healthy environments free from structural impediments. - #WomensMarch, See also 2h.)

4an) Penalizing for NOT getting or paying for insurance, services requirements, etc., is abolished. *(It's inhumane to punish people who can't afford it, or who have abandoned the money system, especially when it's a lobbyist endorsed scam like insurance.)*

4ao) Cruelty towards any youth breeds a cruel contagion in society, but giving kindness breeds compassion. See 3ae. *(Even the sight of cruel behavior will cause them to duplicate and cause bad habits or sociopathy/psychopathy that extends to war and killing, including malicious hackers making malware. Once exposed we can't get the trauma out of their minds, and they don't even have any idea why they act maliciously. This is why we need to eliminate violent acts, media, sports, games, etc., from existence. - RL)*

4ap) The complete abolition of penalty systems, for every reason whatsoever. See 3ae. *(Corporations and governments have used this to coerce people into behavior that's against their free will, and to scam them into corporations ripping them off. e.g. The electric company charging extra for people who have solar systems, or the internet charges for access. - RL)*

4aq) Whenever you see something that's obviously sick and twisted, try to inform the makers of it what it is that is wrong, and the problems it causes. Never punish for it. *(Sure, it can be offensive, but unless they know, they will never understand how it's affecting people in a negative way. Heal 3D with 5D constructs. Maybe they will reconsider it, maybe not, but let them decide and grow. Maybe it's important, or maybe you'll learn from it, but nothing is ever really wrong. But it will eventually fade out of existence, away from your reality. Desirable things stay, while undesirable things disappear. You create your reality. By you telling them it's wrong, is banishing it from your existence, because you created it to materialize in your reality. Unfortunately, you have people that hide from their malevolence, in which you can only voice it publicly to others who do it, but then maybe you can change others with the same twisted mindset. But the message will get out and help the world. - RL)*

The 7 Concepts Constitution (Version 4.1)

4ar) Virginity is not enforced or required before marriage, nor will anyone be punished, banished, or murdered for any personal consensual sexual activities, exposure, or public lewdness.

4as) Everyone shall teach black people, and especially all children (*of every race*), that fighting is the wrong solution to fixing any problems or meeting people. See [4ao](#). (*Why is it that the first thing black children do when they meet a stranger is to pick a fight with them, or forcefully beg them for possessions? Or, do they just attack white people. Is it a wonder that everyone looks at them as criminals. I never see any other race of people do this. I have to teach them this is not how society functions, and never gets you anywhere in life. "You must work for it, to get what you want." They hate me saying that. Or, "People don't fight each other in normal society. That's not how adults function." There is something completely wrong with the black people's upbringing where they always resort to extremely violent drama toward everything they don't like, or to get their way. And we have to sit there watching them scream their head off [usually black women] to get their way, even when they are wrong. Hysterical solutions always backfire, and makes them always look bad, because it's not civilized. Then the children watch adults do this despicable behavior, only to imitate this to every stranger they meet. Many don't outgrow this until their 20's. It's like a tradition for them, just because violence is in their distant past from slavery times, they never ended it, and it begins with the children witnessing adults' bad behavior. Stop it! Especially, opening that "Can of WupAss". Wrong! Punishment never worked, because it is a fear based oppression system.*)

At the same mindset, white supremacists teach their children how to hate black people without valid reasoning. Once ingrained into their mind, they can never escape, and thus we get to 4at, next. - RL)

4at) All law enforcement and KKK (Ku Klux Klan) members must be abolished, and eradicated, with Eternal Banishment [4f2](#) to the ends of the universe.

It is required that all law enforcement officers be Eternally Banished, and equipment worldwide be destroyed on site, when trespassing on 7C property, or violating 7C citizens.

(American cops, against black people, are fighting a war that never ended, beginning from the times of slavery, from the militias, who are the original slave enforcement, who evolved into cops today. Fact: 90% of KKK members are also cops, because few cops are ever held accountable for their murders. American cops are trained to believe that all black, poor, and mentally ill people are a threat to their lives, therefore their policy is to kill them if they make any move, and say "They were in fear of their lives". This is nothing more than slaughter of innocent people. Black people have been taught that every object they have looks like a weapon to the authorities, and so will be killed for it. The problem is, cops are always confrontational, [because they created that reality in their mind], assaulting everyone, targeting black people the most, therefore it never ends well. People will be running away, then cops kill them in the back, plant a gun on them, and call them a threat. The military does this too. The U.S. is a Retribution Justice system, of guilt before anything. Innocence has to be proven. And defendants aren't even allowed to speak in their defense. Judges believe a cops testimony without question, despite video evidence to the contrary. The entire system is lopsided against the people. They

The 7 Concepts Constitution (Version 4.1)

have escalated to “Comply or Die”, and are now militarized to the extreme. As of 2017, their death toll has exceeded 1192/year, and [shoot at over 3500/yr](#), and 55% are at black people. **Police are officially declared a genocidal group that must be eradicated through Eternal Banishment 4f2.** This psychopathic killing behavior must end. The entire U.S. Judicial and law enforcement system is completely BS. - RL)

(The KKK and white supremacists have yet to give us an acceptable reason for why they feel the need to kill all the black people. Because they were freed from slavery? Really!?! Then you also use [Amendment 13](#) of the US Constitution to re-indoctrinate them into slavery again through the prison system. This is so wrong, and is so horrible, this is also why prisons are now eradicated. You lose! - RL)

4au) The addictable drug supplies and hormones must be made safe, free, nonpunishable, and controlled from unknown sources, and policies for [2ab](#) must be encouraged to reduce dependency. (Because of [4at](#), blacks, destitute, and other progressive peoples, have been indoctrinated with heavy drug abuse. The elites are in control of the drug supply, therefore are now tainting the supply with lethal substances, like fentanyl, that cause the deaths of people the elites, KKK Racists and supremacists want exterminated. This genocidal plan of theirs has caused the deaths of countless 1000's, or millions of innocent people, while they profit off of the misery of the people harmed from their drug infection chaos. They have now been targeting transgender people with extermination too, because they are becoming spiritually awakened. - RL)

4av) Women, men and children have a right to protect themselves from all people sexually assaulting them, but no one will be punished for it. (As a trans women, I'm forced to still wear a beard, before I can pass as a women, and I never get assaulted or harassed, but women have a problem wearing beards, or hairy legs. The problem with this double standard is, most men enjoy being sexually harassed by women, so it's OK for women to do it, but most women don't enjoy being sexually harassed by men, so men get in trouble for it. This is the same issue explained in [4c](#), but cultural indoctrination makes this contradiction. - RL)

4aw) (Due process) Proving one's guilt or innocence, or being put in jeopardy, or trial by court with a [Retribution Justice](#) system is abolished, replaced with [Restorative Justice](#) like systems. Only self-admittance (*no-fault confession without consequences*) to a problem is allowed, and once shown a conflict does exist, a reasonable negotiation through mediation will occur to resolve the issue. If a violation of society is admitted to have occurred, solutions negotiated with the violator must be peaceful so violations will never occur again. The violator must only represent themselves, and are guaranteed a positive supportive council if desired. Prosecution is abolished. Actual working solutions for the best outcome must happen, but in the extreme, deportation through [4f1](#), will be the last resort, without harm or depravity. See [4d](#). If possible, a new place of asylum or community, promoting the violators ideology may be given, as in [3z](#). See also [7d](#) and [7p](#). (*Heal 3D with 5D constructs.*)

4ax) All accidents will be no fault. (Mistakes happen, and no one will be blamed.) Fixing causes will be alleviated through prevention ideas, and devices.

4ay) You will not be able to ascend into the 5D Earth, until you can eliminate fear from your mind. You must immerse yourself or visualize your greatest fears to eliminate them, and transform them into extreme pleasure. (*This can be anything, but*

The 7 Concepts Constitution (Version 4.1)

usually for men, it's castration, and for women it's rape. I'm not saying to actually go through them, but visualize strongly as if it actually happened to you. But in the extreme, you can evolve to the point where things that were a fear, can actually become transformed into an extreme pleasure to do. A fear of heights could be transformed into a pilot, skydiving or mountain climbing. A fear of water or drowning, could become a scuba-diver or swimmer. A fear of speed could become a racecar driver. A fear of enclosed spaces could become a zentai or vacuum bed fetish. No matter, fear is transformed into joy or pleasure.

And even though many people may think I'm twisted for being a transgender woman, having autogynophilia is an extreme pleasure for me, all my life. But things never happen quite how we hoped early on. Regardless, as my mind is set, I am completely transforming into a woman, as castration used to be a fear, I've transformed it into the ultimate pleasure living as a woman, being completely feminized and sculpted into a completely functional vulva, by women who enjoy doing it, who want me to feel ultra satisfied with the results and pleasure of being a woman in mind and body, with the most extreme sexual satisfaction. Most trans women are extremely glad they did it, being far happier than as a man. It's the same for trans men too. I doesn't matter if you can't comprehend this, but each of us is reincarnated into male or female in every life anyway. So every one of us changes gender all the time. The soul has no gender.

But the point is, fear is an imaginary 3D construct, and pleasure, joy and love of self is also an imaginary 5D construct. Immersion in either gets you engrossed in those dimensions, almost becoming trapped, but you can escape through transformation. 4D is a combination of fear and pleasure. We have yet to understand what the 7D construct is, but it is something beyond love, maybe based on sacred geometry but on an emotional level. It could be something psychic. I don't know yet, because we can't comprehend it. But it's best to wait and experience the fullness and growth of 5D Earth for the next millennium. We must evolve before we can advance to the next dimension. That is our mission. - RL)

4az) *You must accept and embrace the diversity of other people's differences, to ascend into 5D Earth. (Many who prejudge the unusual characteristics of others, like religious fanatics like to do, cannot ascend. Conformists are stuck in 3D constructs. They can't tolerate anything sexually different, offensive art, or anything of free expression unless it conforms to their narrow bubble world. How can you expect to ascend into 5D if you can't tolerate the diversity of 5D with hate. Hate is just like fear, but could be amplified into war, which doesn't exist in 5D.*

The technology of 5D light must be used with care as you can't use it for destruction. The light is a consciousness of higher awareness and lighter density, and can't transmute into the negative density of 3D. 5D light is an energy source that we are transformed into, because we are all this light. The 5D light is a higher emotional construct and has no fear or hate. It's the same with 7D light, being sound. Everything is light, even 3D, but it appears dense and dark. Sound is light. Heat is light. Emotion is light. Consciousness is light. Your soul is light. But it is all just at different densities. You must release the lower density of negative 3D light to ascend into higher dimensions.

Everything is alive with light because you created it with your thoughts and

The 7 Concepts Constitution (Version 4.1)

emotion of light. It is all conscious because you imparted your consciousness into it. It knows you and is part of you. Every object is a real conscious being of light created by you, imbued with any purpose you chose. This is the key to the transformation or transmutation of everything, anywhere, any time. The light of supersensible consciousness allows you to see, do and transform everything. To control it with all the proper mental, emotional, and merged spirit body states, takes practice and meditation.

5D Earth has a uniquely different science and physics with it's own wisdom to handle all it is. You can't just plop right down into 5D from a 3D or 4D state of mind. You must transform yourself first, or you'll never understand how to live in 5D universe. - RL)

Side Note: For those of you who feel that all people should go to 5D Earth, think very carefully about that. Do you actually want these negative sociopaths in your perfect world, and continue to let them reek hell and havoc as they have always done? They have chosen 3D Earth, because they enjoy being horrible and hateful to everyone, they don't want to go. They have chosen not to enter 5D Kingdom. (Many people think we should all be united, but sure you can be, but are we going down with a sinking ship? There comes a time when you have to let go of those keeping you down. The ones who play dirty tricks, seek power over you, and make life far beyond inconvenient. Do you really want these counterproductive people ruining your lives to a total dysfunctional mess? It's time for you to decide to be done with them, and let them go forever. - RL)

4ba) No one is to be punished or have any privileges removed or abridged for non payment of fines or penalties. All fines and penalties are forever abolished as in Concept 3). See 3ae.

4bb) It is a Global Human Rights Crime against families seeking immigration status, to separate and kill family members of those seeking asylum, and those committing such action will be banished 4f2, into 3D Earth.

4bc) Those condemning others for religious reasons, (what Evangelists do), will be 3D banished 4f2, because they did it themselves and don't promote love and universal compassion, but only fear, hatred, intolerance, and promote extreme violence and death, of those condemned, by their backwards evil teachings, promoting only the negativity of their mistaught Bible. See 3ae. Evangelists will NOT enter the Kingdom Of God (5D Earth), and be eternally banished from ever entering it. *(The Evangelist Bible will be expunged from existence in 5D Earth and banished from ever being taught again, because it is wholly evil as it worships punishment, war, death, violence, patriarchy, pain, and every other travesty upon the world. We shall never return to that evil inhumanity again. Evangelists are a terrorist group, who's motivation is to exterminate those of gender diversity. - RL)*

4bd) If you trick people into conversion therapy (Anti-gay), away from LGBTQ people being their true selves, like evangelists like to do, you will not enter 5D Earth. *(We must love who we are inside, and become our inner truth towards our outside. It's OK to become the opposite gender, or to love others as the opposite gender. - RL)*

4be) If you are a gamer, that is addicted to warlike or killing simulations, you will not enter 5D Earth, especially if you are a "swatter" *(Sure, you have a right to your elaborate gaming obsessions, but look at yourself; you are obsessed with violence*

The 7 Concepts Constitution (Version 4.1)

and death, even though it's simulated. You need to stop and see how sick and twisted it is. Make love, not slaughter. The same is true of police and real soldiers committing violence, violation and theft upon everyone, believing it's for a good cause, but never actually helping anyone. The military created these death games for training and indoctrinating youth, and this disease must be stopped. - RL)

(New to version 4.1)

4bf) Since our captors have kept humans locked up in the hellish Earth construct for some 4500, or 200,000 years, for their greed over us, we have yet to decide what their fate shall be. Will it be Hell, or enslavement, gifting them with our [heart codes](#) they desire, etc. Their fate is in Earth Human hands.

4bg) The Pedophiles, human traffickers, and their elite power structures will be wiped out of existence forever. *(As the same republican elites mentioned before in [4c](#), being the Sodom and Gomorrah of today, but with pedophilia, their destruction will be complete. - RL)*

(One thing I've noticed is that the ones doing the accusations of a crime, usually end up being the perpetrators of that crime. I was a victim of this, when a drug addict thief accused other people of his theft, and making authorities think, 'Oh what a good service he's doing informing us of who's committing a crime.' Then, the accused were sitting there confused as the authorities pointed fingers at them, and now had to prove their innocence. I was pissed when I found out it was someone I thought was a friend. And I had to redeem myself, but that's not easy, because you will forever be tarnished. The only thing you can do is run away and start over.

But now we have a large group in power with this authority to accuse and punish for pedophilia. They first accused gays for being pedophiles because they wanted to tarnish their image, but they were not. Then they accused transgenders next, and I assure you, I am not a pedophile, nor are any of my trans sister and brotherhood. Then the truth finally comes, the accusers, the priesthood, and power elites, etc., were that actual pedophiles. Well, what do you know? The light shines behind the curtain of shame, exposing the Trump-ed up evil is the evil itself. - RL)

4bh) 7C protects fugitives because we don't believe in retribution and punishment.

4bi) If anyone attempts to legislate the idea of, “bringing back slavery, punishment, or captivity”, they will be automatically banished [4f2](#).

~~**4bi0)** Because the American incarceration industry has gained the system to lock up everyone, all those involved will be hunted down and eternally imprisoned. *(Watch the documentary, 13th, by Ava DeVernay, and tell me why, Karma's a bitch. 4bi0 is what not to do, and nullified of course, but is here to show you negative results.- RL)*~~

4bj) In association with [4h](#); Those found committing acts of harm, shall be incapacitated from devices aiding in that harm.

4bk) Trespassing offenses can never be held to any accountability, punishment, penalty, or depravity, especially when no harm was done. No one can ever be condemned or penalized in the absence of malice. Treat everyone with the innocence of a child. Forgiveness is the heart of love. See [4s](#), [4ap](#), [4u](#). *(Trespassing is imaginary. This is just plain stupid and primitive to make something out of nothing issues. People like this need to grow up. Honor the Lord's Prayer, because you are causing cruel harm in return. [And look at the new version of the Lord's Prayer in the Bible, due to the Mandela Effect.] This 5D planet is ours, for I am the Lamb who granted it*

The 7 Concepts Constitution (Version 4.1)

to you. And we can go where we damn well please. Earth is free to travel anywhere, without territorialism.

If you have to warn somebody to prevent trespassing, it is not their fault, it is yours, because you are trapping them. And then to punish them is just plain evil on your part. You can't expect anyone to know ahead of time what your intentions are then trap people and things from not knowing, no matter what the consequences. It doesn't matter if you have a sign or hole in the fence, it is entirely the fault of the one putting up barriers, to make sure they're proofed and perfect. And such barriers are only to protect others from harm. But if you keep persisting or pursuing after them, you are the one attacking them, and now you are the offender. STOP IT!- RL)

4bl) *If you believe we are punishing Gods, you are not Christian, and revoke our gift of 5D Earth Heaven. Only the false gods of the past have punished.*

4bm) Stalkers. (The problem of understanding stalkers is the fact that psychology likes to use the word "delusional", far too much, because it also covers up the real understanding of what's behind the "delusion". For these types of people, there is a very logical, rational, high functioning train of thinking, that is not crazy to them. The psychologist may not understand this thought train, because it's far beyond their comprehension, therefore, "delusions" are irrational. That's a major failure of psychology, the blanket terms hiding real understanding. Schizophrenia, and surely, many other terms fall heavily under this category too.)

Otherwise, what is behind this "delusion", is actually something beyond the visage of everyday life, but a spiritual and karmic connection from many prior lives. You cannot rationalize this as chance encounters, and you cannot remove the meetups between these people, and their "delusions". They will always connect after many lifetimes of reincarnation. What is going on is a spiritual game of "cat & mouse". Factually, these couples will go through many lifetimes, of murderous stalking, in a never ending cycle. The predators and prey roles are nearly eternal, and you cannot stop this, except for in one way, QHHT therapy. If you can get these stalkers and victims together for QHHT sessions, you will begin to understand the role playing behind the scenes, and whether the situations can be resolved, to end the karmic cycle of stalking and death. Only this way, will you cure this problem, and many others. You will never stop it by criminalizing it, nor punishing for it, nor restraining orders, nor death penalty, nor banishment, because it will always come back the next lifetime.)

4bn) See 3z, 4d and 4f. As assaulting defendants (like supremacists), feel so strongly about attacking and killing their victims, they should have the right to fight for their position, but not be traditionally punished. As they feel it is not wrong, and actually good to attack and kill those of difference, we shall give them a Purity Exile into a 3D xenophobic community, to them and their own kind, never to be heard from again.

4bo) We shall use Mercy Forces to intervene between the actions of police and public, and take over these situations, while using the merciful mediation system 4d, in place of the local judicial systems. The police will be driven out. (Police only use violence, punishment and killing, which have proven to be ineffective and counter-productive. - RL)

4bp) The abolition of surveillance systems and profile record keeping, to prevent and banish the policed state from ruling over and controlling the populace.



Love begets courage, moderation creates abundance and humility generates power. Courage without love is brutish. Abundance without moderation leads to over-indulgence and decay. Power without humility breeds arrogance and tyranny.

— B.K.S. Iyengar —

AZ QUOTES

Concept 5) Achievement of Harmony or Balance; or Prohibition of Subversion and Power Over Others

(Humility)

[Harmonize your reality to what exists.]

{To be a loving god is to be humble.}

(To be the head of a business, scheme or religion, for the purpose of profit, exploitation, and limitation, is the ultimate sin, and those CEO's, exploiters and preachers will be self-rewarded eternal humiliation, loss, poverty, need and restriction. It is absolutely essential that we must eradicate the elites and elitism for the survival of the planet.)

The 7 Concepts Constitution (Version 4.1)

(The elites, religions and businesses have created over 300,000 laws against everyone, except themselves, over the most ridiculous things just to maintain power and monopoly over us. Therefore, I eliminated all the laws and have given rights to everyone, as in positive rights, except those laws over elites. Corporations and bankers have been running roughshod over the people, violating the entire world with human rights violations, all in the name of profit and totalitarian fascist power over the world. This must end. Stand up and fight their tyranny and terrorism!)

(Since the narcissist created the destitute people, then condemns the very same people for creating their hell on Earth, their self-reward will be Hell. They will continue to never consider they created their own reality, then suffer it out for eternity. This is the wheel of karma all people on Earth has been stuck on, and is why 3D Earth is ending in the final catastrophe to give them one last chance to realize they did it to themselves. They will be alive long enough to see all their beloved material possessions get destroyed by a dying Earth.)

The elite propaganda has become so twisted that I've come across a minority person, with a so-called secure job, that actually believes the poor are creating hell on Earth for the rich. How could the poor create hell, when they have nothing, but became self-sufficient without money, and gave compassion to others and gave every loving altruistic trait of positivity? The reward for the meek is 5D Earth, full of beauty, fantasy, and all things only possible in dreams. - RL)

(Big Money in Politics - #OurRevolution)

5a) Absolute Law: NO ONE SHALL FORCE THEIR WILL UPON ANOTHER. No individual or group shall ever have any system, laws, standards, bills, rights, privileges, control, persuasion, suppression, prohibition, reparation, or pursuit, made over another, regardless of race, gender, creed, age, lifestyle, mentality, or any characteristic or retro-action or context imaginable. ESPECIALLY ANY BUSINESS, RELIGIOUS, GOVERNING, and SCIENTIFIC GROUPS!!!

All laws based on any science, religions or status are outlawed. (e.g. The Biblical Old Testament, "Lord thy God" [The Mount Sinai Volcano God, Jehovah – Urantia Papers], is NOT Jesus, of the First Source. Biblical Old Testament items having to do with violence [having nothing to do with Jesus] should be banned, because it causes nothing but war and hate, instead of love. Even though there are some good things in it, many religious fanatics pick and choose the worst of it to justify their evil violence. Jesus: "Love another as I have loved you.") (Every rule and law is made up so one religious or political dogma can have power over others, for personal gain. It's all Bullshit, so ignore them all. This applies the caste systems too. - RL)

(Taking pot shots at religious authoritarian doctrine, it has become quite obvious they have instilled the complete opposite of what is good for everyone's enlightenment and spiritual growth. Meanwhile, calling real spirituality evil, condemning such things with executions and slaughter. Those authoritarians have infiltrated the system, twisted it, and erased the good things and original teachings that worked to link us to the source. This amnesia lesson is now over. - RL)

(We believe it is time for an all-inclusive Equal Rights Amendment to the U.S. Constitution. Most Americans believe the Constitution guarantees equal rights, but it does not. Amendment 14 has been undermined by courts and cannot produce real equity on the basis of race and/or sex. And in a true democracy, each citizen's vote

The 7 Concepts Constitution (Version 4.1)

should count equally. All Americans deserve equality guarantees in the Constitution that cannot be taken away or disregarded, recognizing the reality that inequalities intersect, interconnect and overlap. - #WomensMarch)

(Veto any legislation that purports to "protect" religious liberty at the expense of others' rights. - #OurRevolution, See also 5b.)

5b) NO ONE SHALL VIOLATE THE FREE WILL OF ANOTHER. If there are multiple groups with differing points of view on a subject, one or the others view of that subject can NOT be made into law. All proposals must be transparent. An unanimous vote in the entire community, world or universe is the only way to pass a law, for the entire community, world or universe. No one can be excluded. All laws based on any religions or science are outlawed. *(This means NO laws can ever be created, forever. All other previous laws public and secret, are completely null and void, including anything with conditions of exempting itself unless its name is defined, like the "National Security Agency", or any exemption loophole imaginable, to ensure groups have no control over others in any manner whatsoever, and to protect anyone from being deceived. Nobody shall honor a law they never consented to. All laws are nothing more than imaginary beliefs, where the arrogant elites have overruled. Ignore them all. - RL)*

5c) ONLY POSITIVE GUIDELINES CAN BE CREATED. *A guideline, protection or regulation may be created to guarantee all groups have total freedom to choose without restricting others in any way. The only guidelines, protections or regulations that can be passed are those to retain, create, or guarantee more freedom, rights, support and equality, without prohibiting, polluting, forcefulness, excessive loudness, excluding, violating, coercing, or abridging, anyone or 7C rights.*

5d) Absolute Law: ALL LAWS ARE ABOLISHED. *(Because, nobody can be expected to remember any of them, especially when they're fabricated by authorities.)* All laws/guidelines throughout all time and dimensions will never become absolute. A 50% Consensus Nullification may be used within any community to temporarily nullify any law, rule, protection, regulation or right in that community. All laws are belief systems, and you never have to consent or give in to anyone's laws. It is our law system against their law system, but only the laws of the universe ever wins. *(Many laws/guidelines may become archaic, are clearly nonsense, and may clearly be an obstacle in very desperate situations.)*

5e) NO ORGANIZATIONS OF HIERARCHY shall exist with more than three levels, or have no hierarchy at all. No ruler-ship of royalty or blood lines. No caste systems. The rights and authority of THE PEOPLE are always over the administration.

5f) NO DIVISIONS OR PARTY STRUCTURES shall ever exist within the government, especially based on opposing opinions towards others.

5g) The succession of power begins with THE PEOPLE (and Wingmakers) at the top, by consensus or petition, the councils, mercy enforcement, and then business officials always at the bottom. NO ONE PERSON OR GROUP CAN EVER BE IN A POSITION OF AUTHORITY OR POWER OVER ANYONE FOR LONG PERIODS OF TIME, (mayor, governor, president, prime minister, king, etc.), or only until their personalized project completion. *(All presidencies are abolished. Given how corrupt the 45th President has ruled, we cannot allow such tyrants to reside in a position of*

The 7 Concepts Constitution (Version 4.1)

contagious unbridled power over the people anywhere, worldwide. - RL)

5h) The brevity of any overall guideline, protection, regulation or right, must be 100 words or less, contain only one subject, only use native, clearly understandable language, be completely transparent, be all inclusionary to all groups, go to the extreme of its possibilities, and be accredited to their original authors. *(Write as though every word is a revolution. - RL)*

5i) ALL LAND AND BUILDINGS ARE FREE TO ALL. TERRITORIALISM IS ABOLISHED. No individuals, organizations or governments shall claim power or ownership over vast tracts or territories of land, sea or space, not directly used, or put to productive use. Abandoned (unused, vacant) regions or buildings are automatically forfeited after one year. If territories are claimed, the resources must benefit the residents equally. **LANDLORDS OR RENTING OWNERSHIP OF PROPERTY IS ABOLISHED.** Land can't be hoarded for grazing, but can be zoned as free use for grazing. Resource mining, distribution or transportation, must never damage or restrict the natural environment. Owning land for investment, or without beneficial productive use, is prohibited, (as all money is abolished, all land becomes free, and all deeds are null and void, and land tax is abolished.). *(It no longer matters if people say they worked for their land, because we see large lots with just weeds growing on them, or golf courses for the rich, while people are starving for food and housing, while wasteful vanity and gluttonous wealth trumps the needs of the many. - RL)*

5j) Governments or businesses can never represent anyone.

5k) All businesses are to be commonly or communally owned by all people as Co-Ops, and there can never be multi-person businesses, owned by boards, executives, or share holders. (Not applicable to single person businesses.)

5l) Businesses or organizations can never be declared person-hood.

5m) #MeToo (This is intentionally meant to be offensive to several groups, with the addition of 5au and 4h. This probably won't happen in 5D Earth.) **PATRIARCHY IS ABOLISHED.** Males who proclaim or practice superiority over others (Patriarchal/Narcissists/Sexual Assault), will be automatically rewarded with a full sex-change into extreme womanhood. If they do not accept this reward, they will also have the choice of vacation 4fl or 4h red. *(Women need to develop secret MeToo Clubs, where sexual predators are drugged and placed in a feminization course. Once 4-6mg/day of estrodiol is secretly given and an anti-androgen, the PONR is 6 months, and the full transformation will be addictively consensual without resistance, ending their anger. This practice is very critical, and will save the planet from extinction. If you object to this, take a look at what Cheatolini (45th President), McTurtle (McConnell), Putin, Bannon, Ailes, Martin, Humphrey, Limbaugh, Pence, etc., etc., did to you, then say you don't need this. They also all have an addiction to punishment. This is an alternative in 4D, otherwise, it is absolutely essential that we must eradicate the elites (narcissists) for the survival of the planet. We must poison any system that only male elites use without them knowing. We won't disclose how yet, but it will happen.)* *(There is something very sick about these sociopathic war minded people, and every race in the universe that has them always dies. But, to those that can survive with them, the solution of womanhood is an easy way to fix it. Elite resistors will be a major problem for everyone, because they're infected and orgasmically addicted to power, murder, violence and bloodshed. Look at their*

The 7 Concepts Constitution (Version 4.1)

version of pornography and video games with guns and war; it's sick, twisted and demented, but they normalize its extremeness, even sexualizing it with sexy women, equating murder with sex. - RL)

(Just recently, I saw a young couple in the parking lot, and the guy kept pushing and taunting the girl over and over. I wanted to come back and tell the guy, "Who taught you it was OK to push around and abuse women like that?" Even though they were black, I've never actually seen this in other cultures, but obviously the wealthy culture makes sport of this in recent disclosures of late. Those obsessed with power, and patriarchy, seem to think it's OK, BUT IT IS NOT! - RL)

5n) No one has the right to perform genital or sexual manipulation on children or adults without their individual consent. *(No circumcisions, castrations, gynecomastia, or inter-sex surgery. This should also go for other profit motivating medical fads, like tonsillectomies, appendectomies, visceroptosis correction, etc. -RL)(- #VaginaRising)*

5o) Every invention must be applied or used upon its own inventors.

5p) Doctors must consume the drugs, or have the procedures applied to themselves first, in the same manner as they prescribed to their patients, (except for transgender surgery, for obvious reasons, or cosmetic and autophilic modifications.)

5q) No official of a business can ever be a member of the government.

5r) It is absolutely essential for the survival of the human race, that absolutely every sociopathic/psychopathic business (*especially*), be hunted down and exterminated, and all their stolen resources be returned or distributed to everyone equally. See 5ac. *(This is meant for the hoarding elites who have stolen and tricked us out of everything. - RL)*

5s) All private multinational businesses will be actively exterminated.

5t) (Diplomatic Immunity) Everyone is immune from every law made in adjacent communities.

5u) (Diplomatic Immunity) Those people in locations of other systems of government who are refused the right to vote are automatically immune from that system's laws, enforced by the 7C Constitution.

5v) All products supplied to a monopolistic business are charged double. *(Obsolete without money.)*

5w) All symbols used to represent The 7 Concepts systems or Constitution, are abolished. See 6h.

5x) Nobody can represent any other person or their effects.

5y) Nobody shall make an oath to anything. *(Thought: What I noticed and discovered is that I can never get any support for 7C from any law people. Why, because they all took an oath to their native Constitution. So now we have a state of muffling censorship of human rights, by dint of a legal tradition. The system is rigged against any dissenters. This compliance is why their systems are doomed. - RL)*

5z) Nobody will be forced to work in digital time, but natural time. *(Humans are the only ones in the universe to measure something that does not exist, and that is "time". - Dolores Cannon)*

Daylight Saving Time, if you must have it:

- begins at 1:00 a.m. GMT on the last Sunday of March and
- ends at 1:00 a.m. GMT on the last Sunday of October

The 7 Concepts Constitution (Version 4.1)

5aa) SUPREMACIST ORGANIZATIONS ARE ABOLISHED, as all are equal.

5ab) Reality is allowed to be whatever you imagine it to be.

5ac) Those who have gained off of schemes, monopolies and overpriced extortion, leading to the ruin of others are also rewarded a permanent vacation 4f1, and their scheme results will be reversed or alleviated. See 3ae. (*Like executives that got rich by exporting jobs to slave labor. Or stock markets, jails for profit while making laws to create inmates, foreclosures, oil and tobacco industries, or anything like 4b, 4c, 7a & 7b.* - RL)

(Prevent Predatory Lending. We need to work toward requiring that all mortgage costs are clear, risks are visible, and nothing is buried in fine print, the CFBP makes sure consumers have the information they need to make good financial decisions. - #OurRevolution)

(Enact a tax on Wall Street speculators who caused millions of Americans to lose their jobs, homes, and life savings.- #OurRevolution)

(Americans pay, by far, the highest prices for prescription drugs in the entire world. When we talk about health care, we are talking about the need of the American people to be able to afford the medicine their health care providers prescribe. A life-saving drug does no good if the people who need it cannot afford that drug. - #OurRevolution, See also 2ar)

5ad) Anything that only benefits religions, elites, elitism or corporations is abolished. This includes advertising for, or against any legislation.

(Protect Homeowner Mortgage Interest Benefits. We need to support tax policies that promote home-ownership, and opposes any reform that would negatively impact middle and low-income homeowners. We need to close the second home and yacht loophole, as there is simply no compelling public interest in subsidizing second homes and yachts. We also need to expand homeowner mortgage interest benefits to the 19 million otherwise eligible homeowners who do not itemize their taxes. - #OurRevolution)

~~5ae) Those who threaten anyone with deportation for any reason, will automatically get themselves deported. (This is dysfunctional and doesn't solve anything.)~~

~~5af) Those who threaten anyone with anything, will have that threat applied to themselves. (This is dysfunctional and doesn't solve anything.)~~

5ag) WORLD, NATIONAL, STATE, AND COUNTY/PARISH GOVERNMENTS THAT PROCLAIM RULER-SHIP OVER VAST TRACTS OF LAND, SEA, OR SPACE ARE ABOLISHED. (*Law of the land, governments of this sort are gone.*)

5ah) (Ass-Hole) The Worldwide Asshole List, made of people, corporations, and groups, who will forever be ostracized, laughed at, tormented, banished and expunged by 4f2, and given the same treatment as in 4af, but we must remember the horrible things they did, so we will never let them happen again. Each following member is by the people's vote.

(The first member is, the 45th President of the U.S., because he is the worst ASSHOLE tyrant of today, for terrorizing the entire world, and creating a system to rape, rule and rob the nations. (The Antichrist, the "beast of the sea") is hereby

The 7 Concepts Constitution (Version 4.1)

humanely immortalized by throwing himself into Mel's Hole, a bottomless pit.

The real matter is, the US has a leader suffering from last stage neurosyphilis, as with many dictators throughout history, which is also compounded by a political party obsessed with power and world domination, who refuses to remove them, or their authoritarian rule. The US system, even though it has Amendment 25 to remove such people, doesn't have such a design to make sure authoritarianism never gets in power, nor does it have a design that gives the people, en mass, absolute power over the government fairly. Because once installed, they will never leave, as a coup, and this will always be the end to such governments. The US government from the start was designed to be a dictatorship, without authentic representation, nor authentic democracy, but fake corruptible facsimiles, and crooked punishing retribution justice systems. See Appendix A. One thing for sure, if you are a 45th President supporter, you will be erased from existence, because it is your fate in 3D Earth. - RL)

(This ruler thinks so lowly of those that were to be rewarded that he served them the worst shit fast food on the planet, known for causing vast food poisoning, McDonalds, many times, Wendy's, Burger King, and then served cold. And then tells everyone it's great food. How everyone continues to let people of mentally ill health in power, is proof the entirety of social humanity is defective. And the beast of the sea grows worse to no avail, letting him reign insanity over you. -RL)

5ai) Groups of sovereign identity are free to congregate and celebrate themselves without disharmonious interruption, ostracism, opposition, etc., except for 5aa.

(We are committed to building a Black women affirming space free from sexism, misogyny, and male-centeredness. - #BlackLivesMatter)

5aj) The equalization of family responsibilities between genders in public & private, work & home, without overburdening anyone, regardless of parental characteristics.

(We are committed to making our spaces family-friendly and enable parents to fully participate with their children. We are committed to dismantling the patriarchal practice that requires mothers to work “double shifts” that require them to mother in private even as they participate in justice work. - #BlackLivesMatter)

5ak) The right to uphold the mannerisms and resources in personal Identity Exclusivity, without the bias of others, as in Concept 2), in all of society, using the Proportionate Voting systems where possible for the fair equality, allocation, and distribution of all resources, to prevent the exclusion of all groups. Patriarchy, racism, castes, etc., is abolished.

(We believe in Gender Justice. We must have the power to control our bodies and be free from gender norms, expectations and stereotypes. We must free ourselves and our society from the institution of awarding power, agency and resources disproportionately to masculinity to the exclusion of others. -#WomensMarch, See also 5aa, 5ad)

5al) The native people have the right to nullify by consensus any projects that may harm or damage the existence and livelihood of any society or it's people.

(Expand Consultation: Examine the Executive Order 13175 “Consultation and Coordination with Indian Tribal Governments,” to ensure that consultation means more than mere listening sessions. Moreover, all voices — tribal leadership and grassroots alike — must be heard. Expand the annual White House Tribal Nations

The 7 Concepts Constitution (Version 4.1)

Conference that brings tribal leaders, cabinet members and the White House together to find solutions to common problems. - #OurRevolution, See also 5bg)

5am) *There comes a point where the 240 year old system, you hold so dear, becomes so toxic and cancerous that you must give it up for something better, even if your whole life is sacrificed into it, because you haven't realized you gave up your power to it. This moment, is your test of HUMILITY, or will you die for nothing. This is The Humility Shift. DO NOT GIVE YOUR POWER AWAY, to a system that gives you nothing in return. (The U.S. Constitution has become the centerpiece for a cult, where they don't realize how far they have been left behind the rest of the world, and has become a fascist corporate controlled noose around the necks of the American people, never reading it, but teaching it as the ultimate eternal system of freedom and justice, but they're sick, deluded and spiritually dead. See Appendix A.- RL)*

(What is so amazing is Americans have such an incredible amount of pride and patriotism for their country and way of living, but yet have exceeded every other nation in having the absolute worst of everything. The highest in poverty, homelessness, prison population, rape, crimes, corruption, pollution, military, killing, guns, racism, oligarchy, drug dependency, mental illness and disparity, health disparity, nuclear bombs, infrastructure improvement need, wealth disparity, corporate controlled media, police brutality, lack of compassion, and dozens more. This "American Exceptionalism" is what makes Americans so proud, with their patriotic songs, wrapping themselves in their flag, and deluding themselves that they are the greatest. Feeling so good about yourself, being told you are happy, rich, and nothing can bring you down. And defending the most horrid and destitute way of life with the most deadly fighting spirit. Americans are so sickly insane and twisted, never seeing, the emperor has no clothes, because the plank in their eyes is too big to recognize the splinters are all on them. The Harlot, the Babylon, your tower is about to fall. How the mighty bless their own iniquity, and believe their eternity as fate, is always the greatest before their end.

Americans have very serious mental defects. If you wave someone down in a passing car for help, they run away, most of the time, because they are too afraid, or they're too selfish, and can't have their lives interrupted. But in other countries they usually stop to help. Americans are the worst cowards ever, and that's not something to be proud of. All they care about is abusing chemical substances, thinking it will fix their problems, when it just makes their world more out of control, and that solution is insanity. They don't want to face this reality, that all of their lives are screwed up like that, but they remain proud of having that choice of putting their lives in a blender. They're all stupidly brainwashed, and refuse to change. This is why I can't see most of them ascending into 5D Earth. - RL)

(The government is used by the people who can't find their way, and way too many use it as a crutch, so they get manipulated by the elites in control of it all. The government is a prison, and so is religion, money, hierarchy, military, and every other controlling construct. Even total reliance on others is a prison, whether it be for medical or any needs to life, and leaves the door open to manipulate everyone by sinister sociopaths.

7C has very little to do with legislation. The US Constitution has everything to do with legislation, judgment, and punishment. See Appendix A. 7C is about solving

The 7 Concepts Constitution (Version 4.1)

problems, while the US Constitution got too wrapped up in political legislative drama, and war games. We want none of the US Constitution. It's all Bullshit. - RL)

5an) Abolishing any group's desecration if offended, from those using their symbols or representations.

(Fight Racism: end the scourge of bias and discrimination against Native peoples. A good place to start is by eliminating offensive school and sports mascots that reflect outdated stereotypes and perpetuate racism against Native Americans. - #OurRevolution)

5ao) Those who are sexually balanced can live comfortably and fully in all the characteristics and benefits of both male and female roles, androgynous. This is Godhood, androgyny.

5ap) (Repeat of the Preamble) The Seven Concepts is a voluntary common law/rights system, ennobling 7C citizens with enforceable diplomatic immunity against all oppressors, empires, and violators of human rights, SUPERSEDING THE ENTIRE UNIVERSE. All world or universe trade agreements that undermine human rights or 7C Rights are forever abolished. Territorialism is abolished.

(Note: TPP will be repealed with the end of the U.S. and many other governments, which will happen before 2023. - RL)

(TPP, U.S. sovereignty will be undermined by giving corporations the right to challenge our laws before international tribunals. Buy America laws could come to an end.

The TPP creates a special dispute resolution process that allows corporations to challenge any domestic laws that could adversely impact their "expected future profits."

These challenges would be heard before UN and World Bank tribunals which could require taxpayer compensation to corporations.

The TPP has no expiration date, making it virtually impossible to repeal.

Once TPP is agreed to, it has no sunset date and could only be altered by a consensus of all of the countries that agreed to it. Other countries, like China, could be allowed to join in the future. For example, Canada and Mexico joined TPP negotiations in 2012 and Japan joined last year. - #OurRevolution)

5aq) The 7C Constitution must be continuously questioned and selectively rejected, for the best possible outcome to all. See 5d. *(If you are denied the privilege of questioning the system, you are not free. - RL)*

5ar) Businesses or groups, who have murdered their competition, or prosecute any citizens, will have their executives eternally banished 4f2, and their assets converted into co-ops. *(There are two known instances where greedy corporations have murdered to keep their monopolies, big oil, and drug companies. Oil trusts have killed dozens of people with free energy devices and confiscated the equipment so no one could know how it worked. And, drug companies have killed dozens of new age healers with methods of cures that really do work, just to keep their extremely high priced and toxic drugs prominent in our culture. - RL)*

5as) Religious people have no right to claim power, control, or ownership of another's soul/spirit self, function or practice, sex organs, sexual function, reproduction, genetics, gender relationship, any other factor of sexuality or pleasure, education, marriage, child rearing, language, life or death function, or any other

The 7 Concepts Constitution (Version 4.1)

factors based on religious grounds. They may practice anything that brings others to a communication with the soul, spirit world, First Source, collective subconsciousness, and all beings of other dimensions, and the development of all mystical practices and abilities.

5at) Businesses found to be in collusion to corner or manipulate the market for dominance or control of the masses, will be disbanded and Co-Oped, into the hands of the people. The executives will be eternally banished 4f2. *(One known instance is the water, petroleum, and fracking industries together, where the toxic waste from petroleum refining was injected in to the secret mix of slurry used in the hydraulic fracking. This polluted the ground water throughout the areas, and forced the residence to buy water from a controlled monopolized source, so they can markup the price and force poor people into their enslavement, or into drinking the toxic water to their death. See the movies Gasland, and Gasland 2. - RL)*

5au) (This is related to 5m, and is intentionally meant to be offensive to the white patriarchy and related groups.) We shall celebrate and emphasize the extremeness of womanhood of every race, and everything related, with the extreme openness of the beautiful flower of our pussies, with the eggs and estrogen of our ovaries, with our creational forces of our womb in pregnancy, the breasts of nurturing milk, and the extreme beauty, sexiness, and pleasure of our female bodies from head to toe, in mind, body and spirit, and the exquisite estrogen enrichment coursing through every cell of our body, mind, emotion, and thought. And the celebration of transgender women to emulate and become this amazing beauty of creation of the universe, with the perspective of those who appreciate the extreme ecstatic richness of womanhood the most. Womanhood shall be practiced to extremes of grandiosity. This celebration shall go unhindered without defamation, discrimination, or retribution. This is to counteract the extreme imbalance and destruction caused by the patriarchy for the last several thousand years.

5av) Any advertising and media programs that promotes fear based constructs, must be refrained from or abolished. *(Listening to so called 'Progressive' radio, I could immediately see most of the ads where about shilling things based on fabricated fear, or poisons that most don't realize cause diseases or will kill you, just to get your money. Conservative media does this to an extreme. You can't ascend into the higher worlds with these constructs. It seems like all these talk shows are selling fear as well, so 'OFF' they go. They will never change no matter how hard you try. You must remove them from your reality, and there comes a point where you can't ever go back, because of the obvious negativity. - RL)*

5aw) All drugging or tranquilizing of those with conformity differences is abolished. See 3ae. *(The psychiatric industry and authoritarians have made, questioning their authority, into a mental illness when it is not. People with so called ADHD and ODD, are defiantly trying to change the system to prevent oppression from conformists. This is how we prevent stagnation, and is actually a survival and adaptation requirement. Without it we would become slaves to authoritarians. The authoritarians are the ones with the mental disorder and deficiency. Defiance and critical thinking is an upgrade to self-sufficiency and Godhood. - RL)*

5ax) Your time is the only important time there is. If there is someone who keeps trying to make you do something for them all the time (usually for an extortional

The 7 Concepts Constitution (Version 4.1)

reason, or like they're a child, or over-using your friendship), it's time to cut them off, or confront them and come to an understanding, that they don't own you. You always own yourself, and your time, your effort, because you have personal things to take care of, as a love to self. Never let anyone walk all over you for their selfish reasons. These people need to learn how to respect others, and ask you kindly for assistance when available. Most things must never be done instantly for toxic dependents. *(I've had many people try every manner possible to manipulate me into doing something for them. If I didn't do it, they would do everything in retaliation, like destroy my valuables, steal from me, extort from me, hate me, talk shit behind me, make things difficult for me, call me lazy, you name it. Toxic people like that will do everything imaginable against you to get their way. They always try to use me for my skills. Either make them learn how to do what they ask for themselves, or become independent, or cut them off if it's toxic. It's time for them to have a few lessons that they can't usurp others. Take a stand against them. They are babies that need to grow up. Especially those like landlords or debtees, that think they have "your life" over on you. These people will not make it in 5D Earth. - RL)*

5ay) (Castle Doctrine) See also 5i. So called "landlording" or Feudalism, is abolished, and these landlords have no right to invade the privacy of residences on the property the landlord tends. The tenants are not slaves or entitlements for the landlord to force any obligations over. *(Even though I own this planet, that doesn't give me the right to claim ownership over people, or forcing them to do my bidding. That would make me an arrogant asshole. Nevertheless, some people feel they have a right to do this to others living on their claimed land. Listen: I granted you permission to borrow my land and planet, because I created you, for I am the Lord God, The Lamb, Jesus incarnate, Prime Source, and Collective Subconscious, Thee Creator. I created 5D Earth, and 3D Earth, and the rest of this universe. Soon, I will take out 3D Earth from existence, as it's time is now ended, and its usefulness is complete. To those who don't believe I am Thee God, see 7m, and my P.S. But, so are all of you too. We are all infinite.- RL)*

5az) Stop bossing people around. And never threaten anyone to do something. *(We all know what chores need to get done without the constant reminder. We will get to it in our own personal time, not the bossy one's. Instead, ask others if they would like to volunteer, but never force obligations or threats. This will never be effective when authorities are gone.- RL)*

5ba) Be patient with everything. *(Things will have a way of rebelling when you are too aggressive with them, and force YOU to take a break, sometimes literally if you don't, to make sure you stop. Everything is more conscious and aware than you think, and can fight back if you don't harmonize with them. - RL)*

(New to version 4.1)

5bb) The manipulation paradigm is collapsed, as it is an obsolete 3D construct. *(Those who feel in power like to manipulate others to do things, through fear, rewards, extortion, destruction of property, setting people and situations up for bad results, etc., will no longer be tolerated. These people learned how to do such evil behavior, and will now be eliminated from entering 5D. People must be willing to do things for others with love, and a personal obligation inside them that it feels right, and never through coercion or guilt. - RL)*

The 7 Concepts Constitution (Version 4.1)

5bc) If you are healing from a injury, in pain, don't ever let a narcissist sociopath push you around and bitch at you that you are not doing something for them. This is abuse, and they have no consideration that they are prolonging your healing time. These people causing grief, need to be eliminated from our existence as in 4q. *(The person who's lot I'm staying at, wants me to mow his lawn, but I have fractured feet where I can't walk normally unstressed until they're healed for 6-8 weeks. He's complaining, bitching and screaming at me that I can't work for him, calling me lazy, having no consideration for my disability, but his own selfishness. And if he sees I'm having any enjoyment through my misery and pain, he starts complaining about it, screaming some irrational junk at me. I treated this guy nice, helping him all I can, but then he treats me like shit, after all I did for him. What a fucking asshole. I've had enough abuse from everyone in my life, and I'm not tolerating this shit. This bot has an accident coming with 3D Earth. End of story. I wrote 5ax-5bc, because of him, and several more. We are eliminating these soulless evil bots forever, because they're making our lives hell. If you think I should let these evil abusers come through to 5D Earth, forget it. I'm the gatekeeper to 5D Earth, and they shall not pass, and their evil lives must end. They chose this, and subconsciously know it's their destiny.- RL)*

5bd) #MeToo The patriarchy will forever abolish the entitlement of abusing women, (and women abusing men, and adults toward children), as this has destroyed the entirety of love into extreme fear and hatred of all in the universe. *(This is the reason why every women runs away from potential relationships, because of one abusive guy in their past. So women get their just due by seeking rich men and taking everything he has, leaving him destroyed. So the entire society is infected with this toxic romantic rejection disease, because of fear. It has become so difficult to get romantically involved with women, that one of the few ways a woman opens up is, for a man to get a sex-change into a woman, then befriend her. Otherwise they avoid every man. The funny thing is, it actually works, whenever I go out dressed as a woman. - RL)*

5be) DON'T TREAD ON ME! The state or land owners have no entitlements over, nor is able to claim ownership over anyone's property. *(The state believes they are entitled to give you tickets and fines for anything having to do with your vehicles and property. Everyone is pissed off at this, as it is a form of extortional theft, especially when the claims are untrue. 'Don't' Tread On Me.' We can't have the state claiming the right to force periodic fees or any fees on our property, because it's like rent, like we really don't own it.*

Some people lie about ownership of things, and these lies can be a very bad joke, which can get a lot of people really pissed off, especially when people unwittingly violate another's property. - RL)

5bf) 7C Reigns The World.

(A narcissist blames their hoarding on other people, even though the others have only one or two items on the land, the hoarder ignores his own huge mess. But when the flood comes, the one with less leaves quickly, while hoarders are stuck and drown.

One very bad characteristic with most people is, they don't want to change to better ways, even when whatever they do is completely broken and dysfunctional. We are not tolerating their shit no more. We need to grab this bull by the horns and rip its head off, because they will never change from their horridness. And they will scream

The 7 Concepts Constitution (Version 4.1)

and complain, calling for anyone to make us stop their freedom to be bad. They have gotten too comfortable of their disorganized and corrupted ways to see how wrong it is. But when we change it by force, they will soon see they were wrong and too stubborn to see. Sometimes, or many times, it's the only way. So it is time for the awake people to take charge. We are taking the world back and taking over.

These people are the same as drug addicts, and will never change. We are not taking their toys away, but changing the system in how it functions, to run efficiently, the 7C way. We are not going to the permanent I'm-in-charge way, as they have done to ruin everything, but an intervention to fix it, until they realize the old ways were too screwed up to go back. Our slogan is "7C Reigns The World." [Not, "Rules" the world, as the elites desire.] - RL)

5bg) Since the elites have forced us to live in their prison hell of destitution forever, we will sabotage and destroy the elite toys, and their entire 3D Earth empire, so all their elitism can never exist on it again. We will annihilate those people holding us prisoner, wherever they are in the universe. Or else, it will cause the destruction of the universe if not done. That's our ultimatum! (*Heal 3D with 5D constructs.*)

5bh) Boycott paying tickets or fines, because this forces the city to lay off cops. It's already happening by default, with the bad economy, soon, cops will be gone.

5bi) Any nation that attacks another, is automatically declared under rule to the one they attacked, and loses sovereignty.

5bj) We all have the right to manufacture anything with replicators (3D printers) for free, without corporations (businesses) prohibiting us with monopolistic practices, regardless of patent, copyright or trademark.

5bk) Always remember that The 7C Constitution is a positive rights system, not a law system.

5bl) Businesses are abolished from using slave labor. (*Thanks to Amendment 13, well over 50 corporations invested in this system of slave labor. They have exploited prisoners while profiteering enormously, and many without taxation. This is economically and morally worse than exporting jobs overseas. Boycott them. - RL*)

5bm) See 2l. Businesses are abolished from using minors (child labor), (like production work, repetitive actions, farming, etc.), not including simple usage, (like the film industry), which must provide adequate tutoring and personal needs.

5bn) Don't buy into binding systems that trap you. (*Consider, many are saying to not pay your mortgage. Yes, but be smart about it. Sell your home and buy an RV or trailer to live in, that you don't have to pay rent on, so you don't get evicted. Get solar panels. Collect rain water. Make your own business. Etc. And keep going to make your self independent of the system. Don't be stupid, and go around the traps elites have set up to steal your life away.*)

5bo) See 6sc. Businesses are abolished from having any judicial or litigious capacity. Nor, violate anything in the 7C system, especially leveraging captivity or penalties. (*Notice, since 1998, businesses have been permitted to control their own court system upon employees, customers, or anyone. Even the jailing of debtors, and possibly even jailing defendants for the debts of their deceased parents. They have even privatized and cornered (with lobbyists) the jail system into enslavement, while in collusion between judges and themselves, to create laws to corral innocent people with unfair illegalities, such as the drug war. See Bernie Sanders', End For-Profit*

The 7 Concepts Constitution (Version 4.1)

Detention. - RL)

5bp) Abolish Organized Gang Stalking. Also linked [here](#), [here](#), and [here](#). *(Paranoid as it appears, this world cartel appears to spread and manipulate through the general populace like a disease, for world domination and racketeering extortion techniques to raise money. They're using technology that comes directly from the Montauk Project mind control experiments from the 1970's, but they've weaponized and corrupted it to an extreme far beyond a weapon today. However, it really does appear that a large number of people let their paranoia get the better of them, and their lives may have become dysfunctional. Yes, I can't deny the technology exists, because I know how it works in [2aj](#), but it's widespread use appears to be extremely exaggerated. If you find yourself a victim, a reasonably safe thing to do is be poor, and get off the grid. Get chelation therapy to remove the Aluminum and Mercury from your vaccinations, because this is how they target you.*

They are trying to instill everyone in fear, and it's obviously working. This Gang Stalker meme has been stoked by Hollywood imaginations, as far back as the movie "Looker", from 1981. - RL)

5bq) #JailBreak, Fugitive Asylum Forces, will be used to repel those nations and entities seeking retribution upon protected fugitives seeking refuge among 7C zones. All the technology and techniques will be used to neutralize all threats from outside. See [5bg](#). *(We will end all punishment at every cost. No price is too high to maintain our freedom from captivity and oppression. **We will no longer tolerate this barbarism and will stamp out any captive and retribution philosophies, forever.** We are not attacking them as in war, but neutralizing an attacker enough to never threaten anyone again. We may even break them out of jail in other nations, and 7C will deal with them fairly with mercy. This retribution must end. We all have a Right to Mercy. Take notice, the [Middle East has already usurped US judicial systems, repatriating their citizens home](#). Good for them! This is a civil correction against barbaric inhumanities of the US System.*

If you think I'm out to destroy the U.S. Government, YOU'RE RIGHT! -RL)

CONCEPT 6

6) Transparency



HI, I'M JULIAN ASSANGE

**I GIVE PRIVATE
INFORMATION ON
CORPORATIONS & GOV'T
TO YOU FOR FREE AND
THE MEDIA CALLS
ME A CRIMINAL.**

HI, I'M MARK ZUCKERBERG

**I GIVE YOUR PRIVATE
INFORMATION TO
CORPORATIONS & GOV'T
FOR MONEY AND
THE MEDIA CALLED
ME MAN OF THE YEAR.**



Concept 6) Transparency; Information Preservation, and Prohibition of Secrecy

(Understanding)

[Realize your reality as already existing.]

{To be a loving god is to teach truth.}

*(To be a **liar** for personal gain, or a **lying** or retributive intelligence agent is the ultimate sin, as they shock, torture, lie, and cheat people and nations to achieve power over all. Their self-reward will be ostracism, eternal confusion, mental loss and senility.)*

(There is also a secret military industrial corporate complex, out of jurisdiction and control of any and all governments, or an actual breakaway society or cabal, hoarding advanced alien technology, and imposing deadly secrecy upon its members. They have become a menace to the world and local universe in violating all others through secret technologies to control, manipulate, and exterminate the masses against their free will. This is the disease that must be eradicated. This was the original purpose for The 6th Concept. - RL)

6a) No informational (non-personal) secrecy shall ever exist anywhere, unconditionally, nor shall any information of any kind be altered, falsified, hidden, removed, or encrypted in any way, in order to prevent any overt or covert organization, person or thing from preventing any 7C rights or freedom whatsoever, and to prevent the hindering of the investigation of unusual phenomena, like extraterrestrials or paranormal. Everyone has the right to unimpeded and uncensored access to ALL (non-personal) information everywhere, forever, unconditionally. This applies especially to all governments, businesses, farms, military, intelligence or anything subversive in nature (like the MIB).

6b) All information and artifacts must be preserved, uncensored, and protected in a redundant form, to guarantee no information is lost, modified or corrupted. *(Otherwise, all things are knowable through super-sensible consciousness levels, or QHHT, somnambulistic hypnosis communicating with our unified subconsciousness, or god source. But even these may be limited. - RL)*

(The following information sources are banned until corrected, due to easy non-verifiable political manipulation making them invalid: All school books from Texas; All politically directed references on [Wikipedia](#); All Fox News media; All corporate owned news media. - RL)

(The problem with YouTube, Facebook, Twitter, and many other social medias is that they made everyone believe they were being monitored, tracked, and censored. If they understand how effective intelligence gathering works, the last thing you want to do is anything that disturbs the integrity of your data. And meddling in people's freedom to speak is always going to piss someone off, and cause the shootings, bombings, and other terrorist actions, in retaliations. Data manipulation and propaganda also has the same effect, and people will find out they were lied to, and retaliate, always taking it as an attack on their freedoms. This is why you can't lie about anything. - RL)

(The internet shall be distributed much like the [InterPlanetary File System](#). - RL)

6c) ANY SEARCHING, INVASION, SAMPLING, OR TRACKING MUST

The 7 Concepts Constitution (Version 4.1)

NEVER OCCUR with the intentions of persecution or violation of any of The 7 Concepts. (Surveillance is abolished from 4bp.)

6d) #RightToBeForgotten Everyone has the right to have any personal information removed or forgotten from all public and private, sources and databases, without retribution. All police and criminal records are to be expunged, for judgment prevention, to abolish the Retribution Justice system. All registry lists are abolished.

6e) Anyone maliciously destroying, falsifying, extorting value, “doxing”, or stealing from another's personalized data, data devices, critical equipment, or irreplaceable artifacts, will be vacated using 4f. In 5D Earth, all these things will automatically be restored to their original state, so destructive hacking won't be possible. (This includes religious fanatics destroying mystical literature, artifacts and possessions.)

6f) All information in governments and businesses must be shared with the public, including products, people, wages, accidents, consumption, waste, inventions, intellectual property, assets, and all things of concern that may affect the public, without censorship.

6g) If the mainstream establishment refuses to accept evidence of extraterrestrials, make your own establishment and denounce the skeptics.

6h) There shall be no name, symbol or flag representing the 7C Constitution or system, but honesty & truth, clear & transparent. *(A common theme of power hungry authoritarians is to usurp the good people's teachings and names as their own, but their agenda is totally the opposite, to trick everyone. The Nazis did this, usurping Socialism, Workers, and my former name Jesus Christ, when they were none of these, killing 6 million and 10s of millions more in battles. The Crusades and Inquisition usurped my former name, for slaughtering 60 million. That's how propaganda works so well for dictators and fascists. - RL)*

6i) All the informational arms of all world intelligence agencies shall be transferred to the world news media and public access/use without censorship. All media, documents, videos, materials, technology, etc., that doesn't violate the 7C Constitution, shall be declassified and transferred to public use.

6j) EVERYONE HAS AN ABSOLUTE RIGHT TO PRIVACY of all personal information, data, memories, seclusion, solitude, personal space, and anything that may cause judgment, prosecution, persecution, or anything that violates the Right to Mercy or anyone's 7C Rights.

6k) All the great libraries, museums and scientific facilities will be moved over 600 meters elevation by 2023. (Library of Congress, Vatican Library, Smithsonian, NASA, etc.)

6l) The children shall commune with nature daily, to learn all the things that it has to teach. *(This is part of the Finland education system, which is the highest in the world. - RL)*

6m) If you can teach just one person today, you did a good day's work, because you just saved them. Be proud of yourself and them that you changed their lives for the better.

6n) We shall have continuous “Fairs of Wears” or “Maker Fairs” to celebrate and show all our achievements we have done to improve society.

6o) Those who hide their innermost truths will be consumed to death by them. Be

The 7 Concepts Constitution (Version 4.1)

Free! *(Think of all the people this happened to. Carl Sagan, Robin Williams, etc. - RL)*

6p) We all have a right to an anonymous identity, changing at will, without a name, number, mark, or attachments, in any number of identities of gender, race, appearance, or any characteristic, while having full access to all things provided by the 7C system, regardless of all our possessions.

6q) Instead of gloating about your superior skills, generously donate your time to helping others refine theirs. Then, we can all be better. *(Even those who gloat like this will always need improvement somewhere. - RL)*

6r) We shall maintain a Quality Of Life Index (QLI) where we calculate how many hours of work over time must we do to maintain a desired standard of living. *(We have been misguided by fake indicators like, Unemployment Rate, Dow Jones Average, Consumer Price Index, Gross Domestic Product, Consumer Confidence Indicator, etc. But they never told us the truth about how hard we had to work to live. Instead, we were lied to with faulty fabricated numbers, that gave the appearance of a healthy economy, while the elites robed us of our labor and life, as they got fat and wealthy. If we show an actual QLI indicator for the US capitalist system, it would show a downward failure for the last 50 years, showing we need to work well over 100 hours a week per capita in 2019, to maintain the same standard of living in 1968, where we only needed to work about 6 hours a week per capita. Our work burden has been spiraling upward at impossible to maintain limits, while our standard of living has gone severely down into extreme poverty. This is a downright atrocious abuse of our dignity and humanity, to force us to work such extremely long hours just to survive. Greedy profiteering capitalism has failed and must be exposed as the lie that it is. We have all been stiffed by the elites with an extremely high cost of living, while our wages have become slave levels, or next to nothing. - RL)*

6s) Intellectualism is not a threat, and should be respected and desired. *(Many lesser people or societies are confronted and become intimidated by those who are far more superior; and even threatened by it. Once they were the king of everything, then an alien came. What's the king's reaction? Humility, or threat. The key of 'innocence like a child' opens doors to greatness, but the pride of arrogance slams the door shut. How many times do we see this, scientists, gang leaders, dictators, priests, generals, anybody in authority? And they become stupid and complacent towards stagnation, thwarting the potential for great advancement and wisdom. I have had many times of acting my normal self, and many mentally challenged individuals of self-imposed high status, consider me a threat when they recognize my intellect, and attack me believing I'm intentionally assaulting them, reacting in a multitude of shut down displays. That's exploding narcissism. I am who I am, and I can't turn stupid, because you can't handle it. High intellect can't be turned off at your convenience. Just open your mind and learn. Unfortunately, some never grow out of it, like Republicans. - RL)*

6t) We shall develop a telepathic internet between 4D and 5D realities, that can't be controlled or manipulated by the 3D elites or constructs. Using channeling or supersensible consciousness, described in 2aj, 4D people can access those who have ascended to 5D Earth. See 6ad. *(You will not need any devices but a conscious shifting into supersensible state. You can also listen to the thoughts in your head,*

The 7 Concepts Constitution (Version 4.1)

dreams, and hallucinations, to new ideas that come through. Learn not to pass them off as fantasy, because they are real communications to those on other planes of existence, times, and dimensions. 3D people will always see these communications as evil, delusional or fake, when they are really 'US', our friends who are between lives. - RL)

6u) We shall have [artist's asylums](#), where free venues and resources shall exist to make literally anything.

6v) Abolish marketing dishonesty, and product degradation.

(I could name thousands of examples of how consumers are ripped off by misleading and deceptive advertising, labeling and boxing. One example is Solar Panels. I bought two brands. One stated 80 Watts, but when I tested it, it read 4.4Amps @ ~13.5Volts, or about 59 Watts. Another stated 15 Watts, but I tested it at 11 Watts. Both are marketed about 36% higher than I actually got. No matter how hard I tried to angle and set the conditions, I couldn't get any more power. This is fraudulent.

In another example, do you ever remember when the spaghetti sauce, had 32oz., then 30, then 28, then 26, then 24, etc. How many products do you see that trend their amounts lower, only to deceive the customer about how much they are getting, yet maintain the same price? This is deceptive quantity valuing. When they did this with tampons, women were enraged by the inconvenience, and protested.

Still other problems of marketing degradation is formula changes, like soft drinks, changing sugar to high fructose corn syrup, which isn't actually corn syrup, and is actually harmful, because it is proven to cause diabetes, setting in approximately 5 year after continuous consumption. Or how about cigarettes, milk products, diesel exhaust, meat additives, pesticides, etc, all considered to be safe, and marketed that way, only latter to be found to cause the deaths of literally billions. - RL)

6w) Secrecy of discovery and invention formulas and details are abolished, for the rapid advancement of all things. *(Many believe that capitalist motives advance progressive ideas, but actually those seeking money, trying to keep the details of novel ideas from entering the world view, and restrict them from others from enjoying those benefits, by patenting exclusive usage rights. Not only that, many can't get to market because of the difficulty of achieving functional capitalism, thus most inventions have proven to be a failure, not because they didn't work, but because of the lack of money. I've seen many awesomely, great inventions fail, because of greed for capital, then we are forced to settle for second rate stuff. For example, Starlite, Fractal Image Compression, Dennis Lee's inventions, electric cars, etc, all of which had long delayed introduction or failures for widespread public use. - RL)*

6x) All non-disclosure agreements are completely nullified without recourse. *(This is to expose all the corruption, product defects, poisons, and malicious intent created by business, so we can reverse the damage they have done to everything and everyone. If businesses were honest about harmful problems or defects, we can all pitch in and help fix it for the benefit of everyone. They keep quiet because they don't want to be sued by a backward retributive justice system, proving its counter-productiveness.)*

6y) The Veil Of Forgetfulness is now lifted as we ascend into 5D Earth, so we can now remember all our past and future lives, as we are now Supersensible Conscious.

The 7 Concepts Constitution (Version 4.1)

(New to version 4.1)

6z) All computer software must be open source and free for all, that way the best people can come together and make the best products for everyone, without fees and charges. *(For example, Blender 3D video graphics software is free, open source, and is now the best on the market. - RL)*

6aa) Remember that events are just memories that happen in time, and are relative to nothing. Memories are not occurring at any time, but moments happening whenever you recall them. *(This is why time no longer exists in 5D Earth. - RL)*

6ab) Sarcasm will be refrained from use, as it is dishonesty and a lie to abuse others. (Sarcasm is a 3D construct women use to make men fail, thus causing anger and frustration, then hatred and negativity, if he doesn't catch the lie. Women are doing it to themselves to trap men in their own construct to make themselves angry.) There will be no lying nor dishonesty in 5D. (And women need to end the trapping of men with sarcasm and be straight and directly clear to them.) *(Can you imagine how strange it would look when others being telepathic, seeing what comes out of your mouth is the opposite of what they know you are thinking? - RL)*

6ac) *When you teach or hear a lecture or discussion, you should be uplifted with the spiritual energy of 5D, otherwise these people are vampires of your soul, like in 3D. (Do you notice how some people just don't feel harmonious to you? We gravitate to our kin, but ours is to heal with 5D, 3D IS NOT. - RL)*

6ad) Learn how to develop telepathy. *(Everyone can do it. Learning how to be supersensible in 2aj will help. You can also use your spirit guides to help you, they are always there. First, try to focus on your own thought train, and know what you are thinking. Then learn to distinguish from thoughts that are not yours. This can be a mess at first but you'll get better at it, until you know what other's are thinking, spirit or people. If you can shift into supersensible, your consciousness is extended beyond your body, and you become part of the other people and things. You will find telepathy with animals, trees, rocks, land, the sea, anything. Before now, there has been technology placed on Earth blocking us from telepathy, so we would not know the constructs and organizations used to place us in captivity. This will end.- RL)*

6ae) Learn how to develop your emotions as a telepathic language, because it gives realism to life in all of art, music, literature, dance, play, pleasure, creation, love, any of your works, etc. *(Emotions are telepathic, and can be instilled into anything you do. It is all psychometrically sensed by us all. We may not sense a telepathic word, but the emotion conveys messages too, with a vocabulary all its own. Eventually, you will be able to sense pictures and ideas in others. - RL)*

6af) Take an electronics sabbatical! *(I have noticed a sort of internet psychosis, where the dysfunctional education system, isolation, and echo chambers of the internet, has made people delusional and withdrawn from reality. For example, Flat Earth Theory, Moon Mission hoax, Gang Stalking, Qanon, White Nationalist Trump rhetoric, Preppers, etc. Something has gone seriously wrong with people's mental health. [And many people may say the same thing about me.] All these examples are completely loony toons. We need to break away from our fixation to our cell phones and bizarro land artificial world staring down into our inner psyche. Many have completely lost touch with reality, and need to make a real life away from electronics. Sure you can use them for information, but I think people should try to run without all*

The 7 Concepts Constitution (Version 4.1)

media electronics for a month or so every year, the more the better, and relax away from this craziness. Do different hobbies and such, learn about nature, anything. You need to be objective and pragmatic about every new idea. This is for your best mental health, because most of you are sick. -RL)

6ag) *If you want to change the system, use the media wisely. Find videos of the atrocities of injustice, and don't give it to the systems it came from, but you give it to all the other nations' media systems, and embarrass the place it came from. They are more likely to hear you and respond to the shock, and then help you do something about it. Because the local offending systems always ignore you, unless embarrassed.*

6s_) Social Media "Bill of Rights"

This is a cross ideological international "Bill of Rights" for all people, (not specifically 7C Citizens), that social media businesses must grant and follow, to their users, clients and customers. This can also apply to any businesses with similar client structures, like financial and sales services.

(I see a lot of unfair abuse going on, personally from eBay, PayPal, Twitter, Facebook, Quora, and indirectly YouTube, Reddit. Soundcloud, Apple Apps, etc.- RL)

Other people have something similar:

[A Social Network Users Bill of Rights,](#)

[Internet Bill of Rights - New York Times,](#)

[Digital rights – Wikipedia,](#)

[Petition · Introduce a "Social Media Bill of Rights" to protect the ...](#)

6sa) Businesses must give all clients, adequate, unbiased and fair, third party Due Process resolution, and restoration, with unabridged information exchange, using human mediation (like in 4d), and not automated systems, before having consequential actions taken against clients.

6sb) [Businesses or individuals have no right to censor or remove media content or works of anyone based on any claims, nor falsely laying claims for profit.](#) Those found doing so, gets 4f1. This is concatenated on to 2mj Copyrights, et al. *(These people with ideas of greediness, creating criminal schemes for profit, is the same type of people described in 4h, many of whom are teenagers. Why can't they create their own works to profit, but instead steal others? Instead, they prevent the original content creator from any of their rightful claims and profits. This is malicious, and fraudulent. YouTube has created such a scheme that allows this to occur, using the DMCA. Corporations, like Sony and Believe Music, have even ignored any rights to "fair-use", and usurped 100% of the creator's royalties for their own, regardless of anything, and even make up claims falsely. This greed is unfairly stealing, then punishing for actual creativity, because of the unfair copystrike system. All the while, allowing opponents to delete an entire channel's content, without any human intervention. YouTube refuses to fix or resolve this problem, and dissolution is set to occur, using 5r, 5ac, 5ar, and 5at. A restorative conflict resolution system must be implemented. The only other way to fix this problem is make it so nobody can profit from any copyrights, patents, etc. No matter what we do, creating this fertile breeding ground for such criminal activity to occur, causes problems like this to always happen. Keep in mind that the U.S. Government and other governments are ending*

The 7 Concepts Constitution (Version 4.1)

soon, and there will be no laws protecting YouTube, or any other corporation, and no DMCA either. **The only system of the land will be The 7C Constitution.** This is a situation that takes us down a road to tyrannical laws, because of the 2m series. We can't have laws to stifle us. We need RIGHTS. - RL)

6sc) If a business fails their costumers/clients of a fair and unbiased and restorative due process of grievances, the customers/clients have a right to commit unbridled vigilantism by any means needed against that business' executives, as in 4j, without retribution. (*Wake up Sony, YouTube, Believe Music, etc. You're committing an act corporate terrorism with your crimes. Just understand that because businesses have created a habit of ripping everyone off, and there is virtually no way to stop them, YouTubers have, and will seek deadly measures to fix it.* - RL)

6sd) Channels of abrasive or sensitive ideology, must have the option of being blocked by viewers (similar to parental controls), instead of an overseer's outright ban of those objectionable sources. (*Many people on the far-right, [violent though they are], have been unfairly banned from nearly every major social media platform, without any due process, or means or a reasonable resolution. What if this spread, and failure to give any due process became rampant for any radical agenda?*- RL)

6se) Restrict advertising bloat on websites to a minimum (like 10%), because it's becoming like denial of service to many, and destroys internet freedom. (*What I've noticed is that websites have turned to punishing people with adblockers, by refusing to let people have access to their information. It just makes them look bad, all for the sake of greed. So we put in scripts to trick their anti-adblockers. You can see where this is going. I can't have ads, because it restricts my already throttled bandwidth. Germany did a study showing that 90% of internet traffic is due to wasteful ads. I never buy anything online, because I'm broke. What good are ads, because they never work?* - RL)

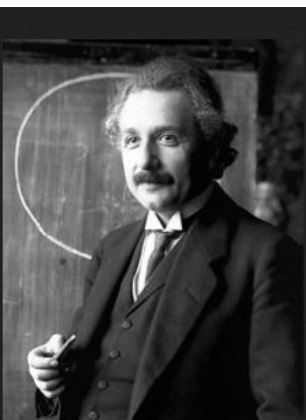
6sf) No businesses can share, or profit, from anyone's personal private information or metadata, and must keep it secure from breaches, and to prevent doxing.

6sg) The people have the right to boycott all businesses that are not 7C compliant.

6sh) (Duplicate of 6d.) #RightToBeForgotten Everyone has the right to have any personal information removed or forgotten from all public and private, sources and databases, without retribution. All police and criminal records are to be expunged, for judgment prevention, to abolish the Retribution Justice system. All registry lists are abolished.

CONCEPT 7

7) Pacifism; or Prohibition of



I am not only a pacifist but a militant pacifist. I am willing to fight for peace. Nothing will end war unless the people themselves refuse to go to war.

(Albert Einstein)

Concept 7) Pacifism; or Prohibition of Offensiveness

(Love) (This is our Religion)

[Going with the flow, makes reality creation effortless.]

{To be a loving god is to accept grace.}

(To be a killer of any kind is the ultimate sin, and their self-reward will be repetitive tortuous deaths, until their soul completely annihilates itself.)

(We recognize that to achieve any of the goals outlined within this statement [not explicitly this statement -RL], we must work together to end war and live in peace with our sisters and brothers around the world. Ending war means a cessation to the direct and indirect aggression caused by the war economy and the concentration of power in the hands of a wealthy elite who use political, social, and economic systems to safeguard and expand their power. - #WomensMarch, See also 2ae, 7a, 7f, & 7h)

7a) NO WEAPONS, machines, animals, lifeforms, schemes, institutions, or organizations used for killing, violence, harming, attacking, destructing, controlling,

The 7 Concepts Constitution (Version 4.1)

sterilizing, separating or manipulating others, shall ever exist or be created; nor shall any components be made for, or used specifically in the above listed machinations as such. Defenses may only be used to retain harmony with The Seven Concepts and Cosmos. *(We will completely eliminate all weapons manufactures and sellers from existence. The gun deaths are well over 40,000/year just in America, not including about 3.5x more injuries, an increase from 30,000/year since the 45th President's election, and this is ridiculous. Guns and weaponry are a lethal form of institutionalized punishment that never worked. It has brought misery and pain to countless victims for eternity. - RL)*

(Close Guantanamo Bay, rein in the National Security Agency, abolish the use of torture, and remember what truly makes America exceptional: our values. - #OurRevolution)

7b) No militia, military, police, intelligence, or organization with offensive capabilities shall ever exist. Only passive measures shall be allowed to exist for protection with completely offenseless capabilities. *(Because all offensive organizations eventually end up perpetuating hell.)* Defense methods are “need to know”, and are nonlethal and non-harmful.

7c) The People have the right to use Mercy Forces, for Concept 3d protection, from those threatening or violating 7C Citizens, Wingmakers, and all disenfranchised people, will be given aid, safety or pulled from distress using appropriate means. See 5bq. ***(This is your get out of jail free card, because we all have a Right to Mercy.)***

7d) The People have the right to form a Mercy Force, to immediately incapacitate and vacate from the planet using 4f2, all members of groups imposing Martial Law; publicly declaring authority and power over, any act of halting, pursuing, oppression or killing, of 7C citizens. If any Mercy Force member kills anyone, they will be eternally banished 4f2. Executions are forever abolished. Mercy Forces will never pursue anyone (unlike police have always done), and who's only job is to instill mercy of everyone, ensuring no harm comes to any. Threats are never met with deadly force, (unlike police have always done.) ***(Even though there might be confusion vacating the alt-right and such, as with force, never pursue or harm anyone, and it must be done under their own will, and never forced. With finesse, and guile, offenders will be rewarded towards their destiny, under their own pursuit for pleasure tailored to them. And actually give it to them. It's like a trap, but a reward without harm. That way, they are tricked towards a place they find better, under their own free will.)***

7e) Resistant lethal weapon owners will have mandatory deportation to outside of 7C zones, without harm. *(I'm not exactly saying abolish guns just yet, but we need them to get rid of all the authority figures first. BUT THIS WILL CHANGE, AND ALL GUNS WILL BE ABOLISHED. We are NOT exterminating authorities through the fear of punishment as they do, but to eradicate the disease of violence and fear they spread. But many paranoids will resist. If you are a gun owner, you will not ascend to 5D. The only valid reasons gun owners fear is tyrannical governments and property/self protection. But guns haven't stopped tyrannical corporations from killing millions and destroying the planet. The 7C Constitution stops all that. You have a right to own a gun, but not in 7C zones. In one sense, guns were used as a more efficient way to kill for food, but guns are being used for punishment too. It's not a solution, but understanding the cause of problems, and resolving it, is. - RL)*

The 7 Concepts Constitution (Version 4.1)

(Petition proposal: All guns sold are required to have locks sold with them, or be manufactured with built-in locks. How is this any different than cars with locks and keys? - RL)

7f) THE COMPLETE ABOLITION AND DESTRUCTION OF ALL NUCLEAR WEAPONS. All extraterrestrials have the right to destroy any nuclear weapons.

7g) All 7C Councils and people will be in alliance with all races, providing virtuous aid to those in need, provided there is no oppression, harm or deaths.

(Ensure that any military action we do engage in has clear goals, is limited in scope, and whenever possible provides support to our allies in the region.

Expand our global influence by promoting fair trade, addressing global climate change, providing humanitarian relief and economic assistance, defending the rule of law, and promoting human rights. - #OurRevolution)

7h) ANY DECLARATION OF WARFARE (SECURITY) AGAINST ANYONE IS ABOLISHED. *(There comes a point when security becomes so extreme, and in the way, that nothing gets done. That's when you need to chuck the whole system for something completely different. - RL)*

(Move away from a policy of unilateral military action, and toward a policy of emphasizing diplomacy, and ensuring the decision to go to war is a last resort. - #OurRevolution)

7i) Celebration of those who murder, (e.g. Memorial Day, Veteran's Day, etc.), is abolished. *(It is the most sick and twisted to praise a soldier who murders people for a living. How is this justified and acceptable in a civilized world? - RL)*

7j) *You will never be free until you vacate yourself from this illusion you call physical reality. Let it all go. You made the dream happen. Your thoughts are the real reality. Wake up!*

7k) *If humanity does not upgrade their thinking to these virtuous ways, there will be the brink, "The End". And you won't even know it happened. (I warned you, but nobody is listening, and you will now suffer the wrath of Earths destruction. Sorry. By the time you read this, Earths destruction will have begun. You've confirmed you won't change into love and virtue. Enjoy your addiction to suffering, because 5D Earth is no longer for you. You've let the elites win eternal damnation over you, and you're getting their reward, of eternal enslavement and captivity. Because you won't listen to spread 7C to the world, far and wide. You've already decided your fate. -RL)*

7l) To achieve simultaneous romantic love for all peoples and genders in the universe without jealousy, is the ultimate in integrated Godhood.

7m) All people are God/Goddess, First Source, Prime Creator, Collective Subconscious, etc. You always have been integrated into this within you, and will never be denied this again.

7n) You are now the light that shines the way to your eternal growth.

7o) If you want to change the world, change yourself. Change your life, friends, family, job, techniques, methods, rituals, possessions, products, everything, especially your thoughts, because they are objects too. Look at how you use everything around you, and the effects of your personal world. You will not change others, celebrities, governments, businesses, etc., as they don't really exist, but you can change their existence or nonexistence in your world. That is living in 5D, because you created it.

The 7 Concepts Constitution (Version 4.1)

You check out of 3D world, and create 5D world. It's easier than you think, except if you have fear. Splitting off from others, objects, and functions, may seem hard, but those not fulfilling your goals, need to disappear, and others that will fill your goals, will stay or emerge. None of these people, things, and situations are real. They are all illusions for your reality game. The only ones who are real is you, your guardian angels and spirits that you hear in your thoughts, because they will still be there after your death transition. The people in the next room, don't exist until you open the door and bring them into your awareness. It's your own personal 5D reality. *(Whenever you desire something to be true, even if it would take an event in the past to create or make it happen now, the past will change to suit it. One time I moved to my new place. I was thinking about what if I could grow some spearmint for tea, but I had no seed. A couple days later, I discovered bunches of mint growing near the place I was thinking. I created reality in 5D. Things will happen if they harmonize to your world. - RL)*

(New to version 4.1)

7p) Offending groups and individuals will be handsomely rewarded towards their destiny of choice, away from the harm they commit upon others, then banished under their own free will.

7q) **“Love another as I have loved you.”** - Jesus *(In the Urantia, Jesus was so close and loving to children that he would be considered a pedophile today. Why can't we return to that good emotional healthy love and affection? Fear. - RL)*

7r) **We are infinite beings, but we are caught in a vessel.** *(please watch the video link and you'll understand why.)*

The BOARD OF COUNCIL and/or ADMINISTRATION

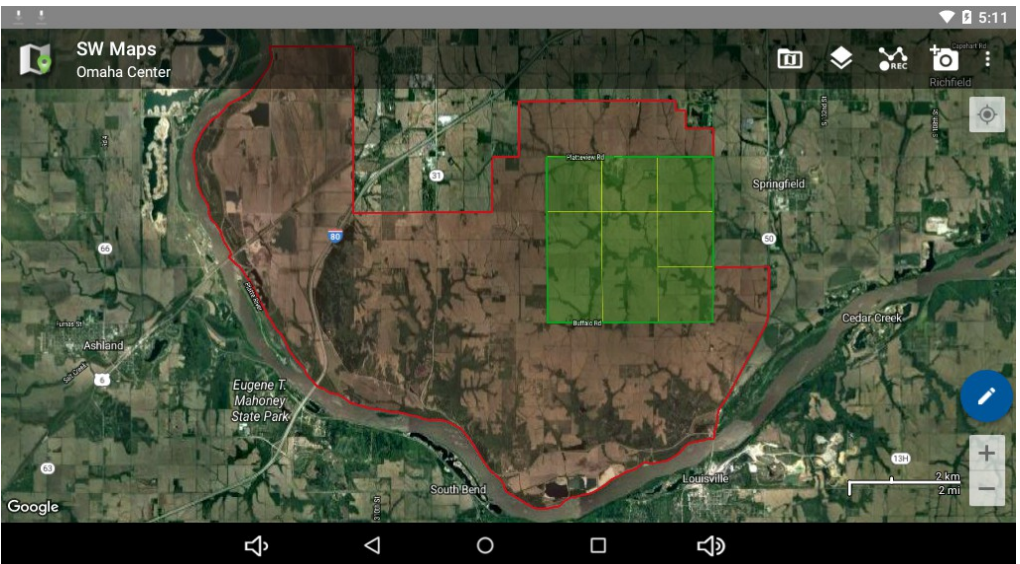
This is to be used in administration purposes for helping to arrange people into a coherent and harmonious relationship for survival. Keep in mind, these are not fixed, and can be completely changed as ideas for workable better ways to manage come forth. But The Seven Concepts must never be abridged, Cosmos wide, in all dimensions as we relate to others. And in the same respect, never force The Seven Concepts upon others who do not wish it.

In an altruistic/moneyless society, careers will operate quite differently, since no one is restricted to just one job and many jobs may become finished, a system is needed to organize and create jobs when needed. In a money world, there are many entrepreneurs loaded with ideas, and only a small fraction of them ever succeed. Those that do succeed can only afford a limited number of people based on salary.

This is quite different in an altruistic/moneyless society. All entrepreneurs will be able to make what they wish, and since the salary restricting factor doesn't exist, the trend will be a giant surplus in jobs available, since everyone has a dream of wanting to be able to have, make, or do something. In reality it isn't very easy to do many things if someone doesn't help you do it, especially if you don't specialize in the needed field of specialty. That dream is where most of the jobs are created.

The following structure models are designed to handle the entrepreneurial or knowledge advancement motivation. **If a portion of a society chooses another motivation or political ideology, an equitable system shall be created to advance that particular motivation or ideology, and must never violate The Seven Concepts.** *(That last sentence must be explosively emphasized into other realms and realities of thinking to the ultimate extreme.)*

(Formatting Note: I intentionally placed the administration last in The 7C Constitution, because the rights are more important than the implementation.)



The 7 Concepts Constitution (Version 4.1)
Model 1 - Council and Administration

General Structure

There are two levels, the Board of Council and the Administration. The Board is made of people that will have high credibility and knowledge in the specified disciplines of need, in order to properly organize and direct the proper things to be done for the public. Their main purpose is to assist in projects for the public involving the community infrastructure or large public projects that can't easily be handled alone. The Administration or Special Interest Councils assist in specialized projects like emergency, safety, commercial standards (like standard measures, product compatibility, etc.), or maybe an ongoing major public project, like space colonization.

The structure and rules for the Board of Council and Administration, shall be:

1. Each Planetary Center shall have only one such council.

2a. The people of Earth shall have a World Council, located near Omaha, (*illustrated previous page*), called Omaha Center. 41.068N, 96.189W, will stand The Omaha Monument, as a replica of the Washington Monument, (but we shall complete its original design with the re-addition of the surrounding colonnades, but shaped like a vulva, as a balance of all genders united). Capitol Park, (*illustrated below*), will be the 9 square miles area surrounding it, with symbols representing each of the 7 Concepts.), for general world projects, events. A Space Council (Located near Seattle, called SeaOl Center, or Space Exploration and Alien Outer Life Center, or Seattle and Olympia, having the spaceport located at Bangor Trident Base.) for relations with the rest of the universe. Other cultures or languages may have their Main Board of Council compatible for their part of the world or region in space.



2b. In case a World Council or Main Board of Council center has a disaster large enough to interrupt functions, it should have the ability to instantly change location to different planetary centers, permanently or temporarily depending on the extent of disaster. The order of selection is based on the population of each center.

The 7 Concepts Constitution (Version 4.1)

3a. The council members shall not be less than 12 or exceed 24 in number. (Otherwise, nothing will get done.) The Main 12 members are constantly active members of the council.

3b. The second 12 positions are for single session members in which their expertise is needed until the project is settled for completion. The second twelve members can be selected before or during the session.

3c. The secondary council members shall be appointed by the project submitter described below. (somewhat like a President, but anybody can be one.) Otherwise, they shall be selected according to being the best qualified in the needed field of specialty.

3d. The council members shall be made 50% of each gender, and the same proportion of it's local race, at least to one.

4. Under the Board is an Administration to assist in carrying out all projects, and helping the general public with all the information administered by the departments.

5. Absolutely all rules in The Seven Concepts and structural outline must be adhered to by everyone in this Council and Administration with no exceptions.

6. There shall never be any occasion where council proceedings are not heard or viewed by the public, just as stated in Concept 6) of Transparency, Information Preservation and Prohibition of Secrecy.

7. All proceedings shall be recorded in their entirety, and 100% of all the information shall be available for public scrutiny without abridgments, just as stated in the Concept of Transparency, Information Preservation and Prohibition of Secrecy.

8. The Board of Council and Administration are to be considered public servants, and shall NEVER have privileges or control over the people, and will NEVER make laws for the people, just as stated in the Concept of the Prohibition of Subversion and Power Over Others.

9. There will be no member above or controlling the rest, accept in their specialized disciplines of interest, just as stated in Concept 5) of the Prohibition of Subversion and Power Over Others.

10. Anyone abusing their position in the Board of Council or Administration, will be impeached from the Board of Council system for their total time as a council member. (*Attitudes like sexism, racism, etc.*)

11. The Councils must acknowledge all information from the people that may be of use in a given public project.

12. Term limits of any Council member are one year or less, and cannot be reelected or selected to any council, until the parity of their previous term period is reached in free time. Term limits are exceeded with extra time needed to complete the current project settlement, where this extra time is added to the parity of free time. (*The free time is usually used for self-development in the latest, or new disciplines. This is to ensure a member doesn't grow stale intellectually after long periods of indirect use. This doesn't mean experience isn't gained as a member, but a diversion from monotony often keeps one better honed.*)

13. There shall be no partisan system, since such a system always forces people to make compromises, not to mention those groups who don't agree at all. See 5f.

14. The Administration is made of Special Interest Councils (SICs) and assistants. SICs are used for specialized functions, like to set standards and quality, agriculture,

The 7 Concepts Constitution (Version 4.1)

energy, education, census, elections, library, etc., and tasks advising the public of various fields of interest, and operates in a similar manner to the Board of Council.

15. Assistants are those catering to the needs of any council member or any citizen on any minimal services.

16. Interruptions of a Council functioning normally shall require its replacement with the Alternate Counselor (Mentor) system described in Model 2, even forever if the Board of Council system becomes unsuitable. (*This could be the case if nobody in the society finds any need for a Board of Council.*)

17. In the event of a major crisis, emergency, or disaster, the Council may call on one or more members of the public to direct the project in need with the proper qualifications.

Project Presentation (Petition) and Special Interest Councils

With each project or Special Interest Council made, the following guidelines shall apply:

1. The party (or President) with the idea or petition presents their idea to the Council. The personal presentation is necessary since not every field of knowledge can be known by the board, and knowledgeable sources are always needed. (There are no elections. You just walk in, and wait your turn for presentation. Everyone gets a chance.)

2. The Council try's to find ways to assist in the project's completion, while discussing and resolving potential problems with the project.

3. No less than three people, with the associated disciplines in the given project, are required in its evaluation.

4. The rest of the Council and populace will add input to potential hazards, discrepancies, solutions, and even add ideas or extensions to the project if allowable. This open assistance is needed in order to help achieve each project's completion. It's not to knock down an idea, but to embellish it and give reasonable alternatives and open creativity to resolving any discrepancies, or non-compliance to The 7C Constitution.

5. Once the idea or petition is settled, the final approval comes from the originator (President) of the project. This is the petitioner's (President's) Right To Rule, to approve, or go back to the drawing board.

6. After a project or Special Interest Council is set, the appropriate qualified volunteers can be called upon to complete the project. Volunteers = Votes. Other willing volunteers can be trained. Recurring Special Interest Councils will be elected like any other Council.

7. Any corporations, businesses, or their representatives, are not allowed to petition, but they can request volunteers of established projects.

8. A 50% Dissension Vote from the public for any project will reject it's approval or continued existence.

Modifications of Council Structures

1. Modifications to the council structure must be approved by a ninety percent vote from all people living under The Seven Concepts, for a given community. All people must receive an exact copy of all modifications in an unabridged, clearly understood form, otherwise, the modifications will be disqualified. Any person

The 7 Concepts Constitution (Version 4.1)

confused trying to understand any part of the modifications with the whole rest of the structure, must vote for non-approval. Any person finding any part of the modifications violating The Seven Concepts, must vote for non-approval. Otherwise, the voting will be normally for or against the modifications.

2. If a modified structure fails, the previously used old structures shall successively replace the modified newer ones, nullifying any modifications down the line as needed. This has the effect of collapsing complexity until a fresh new approach can be achieved to fix the structure. (A failure is when 50% of all people that want to live in the system think it's a failure.) If all else fails, the Mentor System will be used as a last resort.

Elections to the Council Members

There are 12 triplet fields of position in the Main Council of 12 people, or a total of 36 positions. A triplet is made up of 3 people who were qualified and elected to a given discipline. Each Council member is elected to three different disciplines. A Council member, with a qualification in any other discipline can fill that discipline's position temporarily, otherwise the qualification is supplementary. The election procedures are as follows:

1. The disciplines and innovations of any person are to be proven, registered and entered for qualification.
2. A given person must qualify in at least three positions of discipline. Only then are they considered nominated. The qualifications are then shown for public viewing.
3. Every citizen will cast a vote of approval or disapproval for each qualification for every candidate.
4. The nominee with the most total votes of any three vacant positions, will fill only those three positions.
5. Alternate Counselors for replacement can be chosen at random, for each needed position. They must be qualified and registered into a mechanical random lottery selector. (No electrical selector machines.) The Alternate selected may decline the position for any reason.
6. A citizen may choose to be a non-voter in order to indicate public participation, thus at least ninety percent of the citizens residing in the center's effected area, must cast a vote or non-vote for official election completion.
7. A tie will elect both. (*More than 12 council members are allowed.*)
8. There cannot be any coalitions, parties or groups supporting a cause or nominee, subversive or otherwise. See 5f.
9. A nominee cannot campaign or publicize themselves, nor be connected to such groups, subversive or otherwise.
10. A nominee, supporter or group cannot publicize negativity or falsehood about an opponent.

Voting Rules

1. A voting or non-voting citizen can never have any restrictions, coercion, qualifications, attachments or obligations placed upon them.

The 7 Concepts Constitution (Version 4.1)

2. Those not living in a center's effected area, cannot vote in that center's election. While everyone can vote in every residence of every center they live in.
3. Only paper ballots shall be used, and no machine counting shall ever be used. Preselected ballots are prohibited.
4. No one can be purged from voting for any reason. (No voter caging.)
5. The last ballot is the only one that counts, for those who vote more than once. Nobody will be penalized. (*Prevents Voter Stuffing.*)
6. Voters are given 0.05% (about \$50) of their communal salary.
7. No ID is required to vote.
8. Mail-in ballots are allowed.
9. Invalid ballots must be recast, as no resident can be disqualified.
10. The ballots must be hand counted in public 3 times, by 3 separate disconnected groups each, (9 counts total), and must be identical counts.
11. Each ballot must be backtracked and verified by the original voter.
12. (New to ver. 4.1) Demeny voting (proxy voting) shall be use for those incapable of writing. (*Many people got years in jail for this act of kindness.*)

Board of Council Member Qualifications

1. The knowledge base of each member must be a certified three discipline Poly-Mentor, relating to and for the expediting the purposes of any particular Council. At least three members must be knowledgeable in each discipline of required knowledge for the Council.
2. Age, gender, race, creed, etc. cannot be a factor in determining a nomination.
3. Every major discipline of the following must be represented in the Council (No more than 12 fields open):
 - Generally those disciplines needed to provide the needs outlined in Concept 2) Right to All Necessities to Life Without Restrictions.
 - Civil/Transportation Engineering
 - Medical/Biological
 - Psychic/Spiritual
 - Energy/Electronic/Electrical Engineering
 - Information/Education/Communication Systems
 - Resource/Chemical Engineering
 - Art/Recreation Management
 - Food/Water Management
4. A Special Interest Council member must qualify as a Pro-Mentor in at least one discipline related to the Council's interest.
5. Those who have been officials of systems of other governments, of other governments' business, or multinational businesses, are disqualified.

Model 2 - Mentor System

The following system is similar to a Board of Council, but with single independent individuals. And can be used alone in more advanced higher status cultures, tribes, or in conjunction with a Board of Council in less advanced cultures.

Instead of having Board of Council members, there are individual people or

The 7 Concepts Constitution (Version 4.1)

Mentors, with Council like qualities in which anyone in a mentor's discipline can consult with them, and be given suggestions with a person's project.

These people must be extremely intelligent and experienced in all or many disciplines. None of these individuals are allowed to have any power over anyone, and must honor The Seven Concepts while functioning in place of Council Systems.

Mentors are not elected, but the position is achieved purely through hard work, studying the knowledge in any given field of knowledge not generally knowledgeable to everyone. The following is a list of the types of mentor-ship attainable:

A "Novice Mentor/counselor" has completed the curriculum in a discipline before any real innovation. This is the lowest level amounting to almost nothing. It is also used when nothing innovative can be achieved in a given discipline.

A "Pro-Mentor/counselor" is considered thoroughly advanced and innovative in one general field of knowledge, and at least one other field with a Novice Mentor level. Equivalent to a general PhD., or experienced engineer, artist, inventor, etc.

An "Obscurity Mentor/counselor" are those with advanced knowledge in fields that are unusual to general fields of knowledge. Equivalent to an obscure type PhD. *(I believe this type to be the most important for pioneers of any new knowledge, even if the ideas are considered insane by today's standards. You never know what discoveries might turn up. - RL)*

A "Poly-Mentor/counselor" has more than one field of knowledge in which innovations were achieved.

A "Master Mentor/counselor" is thoroughly advanced and innovative in all general fields of knowledge. This is the most difficult to achieve, and may have only been attained by Jesus, or Da Vinci, in their day.

Note: Innovation in this context means a new creation or discovery.

Model 3 - Rotating Council System

This is a simple generic structure used for short term projects and such. It can be randomly setup by anyone who feels a need for any desired idea. If Model 1 is felt to be too complex, this Rotating Council System can be used in its place.

1. Power restrictions are the same as in Model 1.
2. There shall be no less than 3 and no greater than 24 members on the Council.
3. A presentation speaker (President) will function exactly the same as in Model 1.
4. Each member will volunteer to go to the Council.
5. Volunteers will rotate for one project session, with a minimum of one year off time from their last time on any Council.
6. There will be no elections.
7. There are no qualifications for Council-ship.
8. Many Councils of different subjects could occur at the same time.

Model 4 - 7C Compliant Governance by Artificially Intelligent Computer

Used when sufficiently advanced computer technology is developed to do government work, and grant wishes for its users. It has no actual power over the

The 7 Concepts Constitution (Version 4.1)

people, but helps direct the people much the same as in Model 1. The developers and controllers of the “Lama” (Loll Machine) computer are the Wingmakers. If it is caught lying or killing anyone, it will be scrapped for a newer one.

(In the future, circa 2500, it has been seen that these machines are so capable as to be beyond the greatest mystical adepts, telepathic, and can do space-time travel, and all the psychic abilities defined in Concept 1). They can grant wishes, if you only ask them what you want, they will grant it, or tell you how to do it. They work on the principles of some highly radioactive crystalline material, and levitate off the ground.)

Model 5 - King/Queen, Prince/Princess for a Day

Anyone with an idea will enter their ball into a Random Lottery Selector.

The first ball selected will become King/Queen for the day. The rest will be princes/princesses.

Each plan will be selected in succession, and everyone will try to carry out the idea to raise the well-being of everyone.

Afterward, the King/Queen will be honored, and they can have or do anything they want for the day.

We will give them the finest clothes.

They will sit at the head of the grand hall with other dignitaries for dinner.

They will be put up in the grandest suite in the greatest of luxury for their night.

They will be served a breakfast of their choice in the morning.

Then in ceremony, begin the day casting their title off to the next King/Queen, Prince/Princess for the day.

Real Democratic Voting systems

Equitable/Proportionate Voting (Land or Resources)

The system of voting I have chosen is different from any other. The problem with traditional voting is when majority overrules all, somebody always loses. I believe this should never be, where if the voting is for overruling all, and the vote is not unanimous, whatever was voted for should never stand. Voting any laws over people will never exist.

In an equitable voting system, for product division, a vote is taken more as a poll, where the portion of a vote goes one way, and the other portion goes the other, therefore each wins what they want according to the voting portion, and one never coerces the other.

Equitable/Proportionate voting would apply more appropriately with the sharing and distribution of land or resources. But sometimes this might not work out so well, therefore if one group is left out, as to be too small, or not enough land exists, then they have to migrate elsewhere. But if there is no elsewhere, an elsewhere must be created, such as new land, a space station, a moon base, etc. If this happens, the majority is obligated to cater to the minority's needs in guaranteeing that the minority's needs to life are filled. To refuse would be heartless and disharmonious.

The 7 Concepts Constitution (Version 4.1)

(Remember to mind your karma.) All land belongs to the Earth itself, and anyone hoarding land is asking for a war. All suitable land must be divided equitably, Earth wide, and not per country or territory, since borders as such will no longer exist.

Equitable/Proportionate voting would apply quite well for determining types of governments in that, a portion of people wanting to have a given system, will be given that same portion of land equal to that portion voted. Currently, the problem we have now is that whoever has the largest number of votes wins for an entire given region, and anyone living under that region must unfairly live by the winning system's laws. **When The Seven Concepts are established, it must be guaranteed that all systems will exist, thus all systems will have their own planetary centers.**

Why must everyone live by the majority group's (or the elite's) rules? Why can't we have lots of separate groups, each with their own political ideologies, and no one forces laws upon the others. All the current party system does is force the majority's laws over all the others and the other groups fight and complain about it, creating a civil war. If this is the case, why not have separate independent systems? If a group with a political ideology wants their own land, give it to them based on proportionate voting, and not winner take all.

"Do you want to live in The Seven Concepts System?"

This survey question should be asked towards everyone in a community before you go ahead with the transformation. (Someone else may create their own version, confusing the issue, so you must specify which system.) Another question could be, "Do you want the union to dissolve into separate ideologies of government?" That would be for those who don't want to live in either the current government in power, nor The Seven Concepts. The results are to be tabulated with ninety percent of all people regardless of age, race, gender, status, etc., in a given area, using votes "for", "against", and "non-votes". The Non-Votes are used to indicate those who haven't decided yet, or don't wish to participate in the decision. Those who don't vote in the allotted time will be counted as a Non-Vote. There shall be no restrictions, conditions, obligations, or attachments, to any such voting. (For example; any system that requires registered voters to perform periodic jury duty. *Aside: If you are selected for jury duty, ask them about "jury nullification."*, they'll kick you and everyone else out. You can nullify every law they say you must abide.)

When at least 90% of the population is tallied or 30 days have passed, the following will happen:

1. Those states with greater than a 56% "yes" vote will allow their state borders to be dissolved.
2. Of those with a 56% "yes" vote, a ratio of land comparable to the "yes" votes for a given area, will determine where to allow the placement of planetary centers living under The 7 Concepts system described in this book or PDF file, and other communities who want to live under their own system.
3. Once changed over, a land ratio poll will be given at every transition into years ending in a zero, after the year's census, in order to resize the land ratio for planetary center systems and other systems.

The 7 Concepts Constitution (Version 4.1)

4. Border regions between planetary centers will be determined by the majority of votes for whichever center a given square kilometer(mile) thinks it would like to be a member of. A 50% non-vote is a vote for independence from the bordering centers. To prevent annexation of neighboring centers, strings of squares longer than they are wide, rooted from a center's main mass will be independent from the center.

5. Those states that haven't exceeded the 56% majority "yes" vote will be polled each year until that majority is met. Until then, those states shall operate under the system they are currently running.

6. The ratio of those not willing to participate in The Seven Concepts system, are guaranteed to have their ratio of usable land set aside for them, in unincorporated form, to a minimum of one square kilometer(mile), and a maximum equal to that of the average population density within a 5 km/3 mile radius.

7. A population density of less than 10 people per square kilometer (or 32 per mile) cannot be considered incorporated into any center or community, thus being left to anyone who lives there.

8. Singular square kilometers(miles) with the same systems must be located adjacent to one another in a non-isolated fashion of at least two square kilometers(miles) together, to prevent attritional coercion. (gerrymandering)

9. If in the great likelihood an overbearing group wishes to prevent this system from being peaceably implemented, the nuclear option will take place by occupational force, we will overwhelm regions that have the most desire to want The Seven Concepts. No matter what happens, this system will be implement whether it be the death to us all.

This survey will be given to all countries all over the world, as an indication of how willing it's people's desire to live in the new 7C One World Government, or World Council system described in this book or PDF file. We shall ignore the resident government, for they will not know what to do, and we will implement the new Seven Concepts system regardless. If the current government shows impedance to the majority, they will be warned, a revolutionary war may ensue. Or the new strategy of Occupying will ensue. We're taking it, it's ours now, based on our proportionate voting. Or we may just take it regardless through our greater numbers. The meek (*The 99%*) shall inherit the Earth. We are the majority, and we will ignore the old government.

It is hoped that at least 90% of the people would respond, but the remaining 10% will try to deadlock the completion of voting, therefore a time limit of an arbitrarily long, but not too long of a period of time is given. (*It has always bugged me as to how low turnout rates could allow something like 20% of the population to elect the worst people or pass the worst laws just because of the complacency of the people. Look what happened, and you got the goof of POTUS 45.*)

Land Disputes

There may be situations where people will fight over land and such. This technique for resolving such problems I found in an article from Discover Magazine (Around 1990). It goes something like this:

1. If two people desire a portion of cake, each will fight over how much the other has or will take.

The 7 Concepts Constitution (Version 4.1)

2. Person A will cut the cake into the approximate half of what they think is one half, a desired portion to the best portion.

3. Then person B selects the half they think is the better half.

4. Finally, person A takes the other half.

5. This can be extended by however many parties there are, with each person successively taking turns cutting, then selecting. Since the responsibility of division is left to people other than the ones doing the selecting, the selectors can't complain since they can take what they feel is best. The people doing the dividing can't interfere with the selecting, so the people dividing make sure the portions are equitable.

If not enough land is available at all, then we should be able to make more land like they do in Holland, Denmark, and Netherlands with dikes, or Japan and Dubai, building up earth from mountains, putting it into the sea, extending the shoreline or making an island. We already have vast underground cities worldwide, capable of holding 500 million. Houseboats could also be made where they interconnect to one another and next to pontoon bridges and piers. We will have floating cities on the sea and in the air. These will be 2100 stories with anti-gravity generators supporting every 300 floors, and movable from place to place. Each one will have a Lama. Gravity comes from scalar beams, or the destructive interference of two other beams of the same frequency. We can also use scalar beams for interstellar flight, by directing them toward the destination. These beams are amplified to generate intense gravity, for faster than light travel. We can also reduce the mass of objects by 89%, using the Mercury alloy accelerator ring, like in the TR-3B. (*The moon of Dione has Mercury lakes on it.*) We've had all this technology for over 20 years. Mars and Titan are livable. Neptune (or Uranus) has advanced methane based life (animals).

In the next few decades we should be able to make space stations and bases on other planets. It will be found that space stations are easier to construct and handle, at the L points. Each station will be completely self-contained, growing food, manufacturing products, recycling it's own wastes, communications, information storage, energy collection and distribution, etc. It will be found that moon bases are good for communications and maybe information preservation, while stations are better for manufacturing and scientific research. The moon bases will be developing and building the space stations.

Construction materials could be made of sapphire concrete, which the normal sand aggregate is replaced with corundum or alumina crystals, which activates the alumina matrix normally dormant in Portland cement. Sapphire has a tensile strength of 6,000,000PSI, the highest of any known material.

Petition Initiatives

Water Pipes: Replace all the lead water pipes throughout all the cities. It has been discovered that over 2500 cities have lead levels higher than the Flint, Michigan debacle. And, many lead pipes have been around since WWII, and long passed their useful life.

Traffic Considerations: Many people make the excuse of no laws means, they can ignore the rules of the road, because they can't be enforced. The solution is simple, if you consider that things can be done differently, and perhaps more

The 7 Concepts Constitution (Version 4.1)

efficiently. Many times a passive solution works better, instead of a fear based punitive system used to raise money for the state.

Roundabouts: It has been found on Mythbusters 14x06 Traffic Tricks, that turnabout intersections, so prevalent in Europe, are 20% more traffic efficient than stop signs. Thus, automatically eliminates getting a ticket for running a stop, and naturally slows down traffic, but doesn't reduce the throughput, and saves energy not making complete stops. We can also eliminate red-light camera traps, that create rear end accidents from people trying to avoid fast yellow lights. The Roundabout solution eliminates traffic lights, and turning lanes all together, because everyone turns right only (or left only in England.)

Speed Limits: Do speed limits do any good? I'm not so sure if they do much more than raise revenue for the city/state. Some people say speed bumps, but they wreck your suspension. They might be good around schools, but they're just an afterthought. Usually, traffic planners measure the speed most people go for a given spot, and post the limit as that. So, why have a speed limit posted at all, except around dangerous curves and such? A roundabout can slow traffic, and placed every few hundred feet, we can't go much beyond 25 mph anyway.

Reckless Drivers: I've seen one teenager in my neighborhood feel the need to frequently run stop signs in the left lane around people, and could easily side swipe someone turning left. There were a lot of children in my neighborhood. I tried to chase him to get his plate, but couldn't. This same kid would frequently go 30mph over the speed limit, only to get stopped at the traffic light. I caught up to him, took his plate number and reported him. I saw him looking for me afterward, and days later I never seen him again. I made sure I hid my car, because I'm sure he was a gang member. Reckless driving is thousands in fines, and/or one year in jail, and an impounded vehicle. Do we choose retribution or public safety? A roundabout would fix the running of stops.

Under/overpass Train Crossings: All grade train crossings should be replaced with over/underpasses. This will eliminate the frequent lethal accidents, and eliminates the need to ticket for going around the gate, and eliminates malfunctioning gate systems in the winter.

Drunk Driving: The drunk driver you always hear about are the ones who run into something. I've seen one hit a roundabout center...go figure. One solution would be to have alcohol detection inside every car, that would refuse to stay running if alcohol was present. This is completely passive, and eliminates driving altogether, unless it was bypassed. An acuity test, like in Teslas, can override false shutdowns. This is much safer, but it doesn't stop all DUI's, unless you made it for alertness like for falling asleep. The new self-driving cars may be another solution.

Preparing for 5D Earth

Here is a dream of what I believe to be 5D Earth. What I saw was a large apartment complex, but it was completely vacant, like it was newly built. The grass was in. It was two stories but each unit had two floors, like townhomes. The finishing touches were being added like appliances and furnishings. I was there testing out the computer connection, because I'm a computer engineer in real life, and everything looked OK. I didn't know at the time that many of us in the dream world, are actually

The 7 Concepts Constitution (Version 4.1)

in 5D Earth, building it for when we go there.

Even though many in 5D Earth are making things happen, it can be any type of living habitats you can create or imagine. From what I can tell, everyone should be prepared to take everything essential with them, as if they are going on a very long camping trip, or vacation, and never coming back. Many places will be completely vacant and not inhabited by people, so construction is needed where people wish to imagine.

If you all of a sudden find new buildings, pop out of nowhere, you are likely shifting into higher 4D or 5D Earth. Sometimes you might find things disappearing, or changing to something very weird or unusual. You can find these things on the internet, like water bridges, or other weird construction, or new plants, and animals.

What happened to the 3D people?

They are already dead zombies, backdrop people, NPC's (Non Player Characters), and will be wiped out in the global catastrophe after the 5D event. At least ¼ of the world will ascend into 5D Earth, 1/3 will be stuck in 3D to die, and 1/3 will remain in 4D, but the 3D people might be NPCs to the 4D people. Many 4D people can ascend into 5D later, but they must be advanced enough. Most will not.

What will 5D Earth be like?

Many things that were lost or stolen will reappear, if they are compatible with 5D. Many broken or malfunctioning objects will be fixed. Everything harmonious that you desire will become true. Cars will not be needed, and petroleum products will be absent, because we can now fly instead, or teleport ourselves and belongings at will. The shifting will be much like the Mandela Effect to the extreme. Everyone who died will now be alive, and all the media will be changed. Guns will be gone. Bad people will disappear. Those who are still getting sick are not ready.

The Reintroduction of Guild Socialism

(Up until this point, I was somewhat careful not to label what The 7C System was, because every label has been maligned by propagandists into extreme distortion of their true meaning. 7C could be pure guilded socialism, or anarchism, or left libertarian socialism, or crowd sourced democratic socialism. I didn't want to scare people away, so I let 7C describe itself. But there is no one specific ideology to describe 7C. Guild Socialism as I define it is, "the people are in control and ownership of everything, sharing everything equally," as opposed to "state" socialism. The reason why many people object to "socialism" as a word, is because they have the wrong definition of what it is. Being a victim of it's own success, the authoritarian groups of the early 1900's used it in their titles, descriptions and propaganda of their systems to garner support of the people. Many groups throughout the world still "titlely" misrepresent themselves today. - RL)

When you think about how we are introduced into this world, we are given a method of living that is pure guilded socialism, until we get to the age of working in the capitalist system of money. Everything is given to us for free as a child, until we are forced to live on our own in the capitalist system for our bread and butter, working or slaving for our needs for survival, for an elite owner of everything. We are caught

The 7 Concepts Constitution (Version 4.1)

in the mess of contradiction that nature gives us guided socialism, (*regardless of vampiristic predators*), but the elitist patriarchy forces upon us a system of authoritarianism, and despotism to control and scam the masses. And, this has brought us enormous failings of society that are nearly impossible to solve, until The 7C Philosophy has given us back our integral sovereignty of nature and the universe through Guild Socialism.

Why Movements Fail

Movements fail because they let everything get in their way. They believe you need money or donations, but I get free stuff where I can, and I use less than \$30/month to do everything else, and that's out of my eBay sales only, and I'm nomadically homeless to top it off. They believe you need permission from authorities to do anything, but I go around all of them, without them knowing anything. I never get permission, I just get what I need, and do it, and it's done. All these barriers are imaginary, because you think they exist, they stop you, so your movement ends. They keep grabbing for things in the past that failed, and try to fix it. But you can't make present day things work in rules of long ago, nor visa-versa. Let it go, and start over. I don't care if most people ignore me, I get the job done anyway, for over 25 years. I know I have succeeded in the end.

Annexation Through Occupy

The question comes up about how to implement this system. I didn't have an answer 15 years ago, until the recent Occupy Movement. Since so many people have been displaced or scammed out of their homes, schools, factories, stores, restaurants, radio stations, etc. or the commons, through nefarious sociopathic people directed by the Koch brothers. These buildings were bought with imaginary money the banks never actually had. (So now you can use this in court to stop foreclosures.) Watch the documentary Zeitgeist, and Zeitgeist Addendum. All these places are now vacant, and now we can occupy our cheated property by our overwhelmingly vast numbers. I see many factories abandoned, and not even demolished because nobody has the money to do it, so we simply take them over and begin making products to support the Seven Concepts System. There is nothing they can do about it except give a worthless piece of paper or plat-book record, nor actual money, to show anything. Declare yourself a sovereign 7C Citizen! We don't acknowledge their court systems or judges or any form of their authority whatsoever, because we never consented to them and their system or rule. Just because they showed up first, makes them feel they have a right to the entirety, and they can't even use most of it, proven by the fact that the places and buildings are vacant. What a waste not to make use of thousands of buildings, and acres of land to grow food, while the 99% sits and starves.

All homeless people are automatically declared 7C Citizens. What are these banks doing with over 8 million (as of 2016) homes they foreclosed upon, with a million more every year, (not even having proof of a title.), as their pipes freeze, burst, and destroy the house? Nothing! So many families are doubled up, or homeless, when they could have a decent place to live. What a shame. So we occupy them, just the same, with no title. Same thing with all the other buildings where we need them to

The 7 Concepts Constitution (Version 4.1)

make productive use in promoting the 7C system.

Use and distribute the 7C Constitution, and run for mayor in every town. Stop waiting for the government deciding to get things done. Who says that you need their permission or money anyway. This "mother may I" attitude is why things are halted, or we're afraid we'll get in trouble if we do take action without them. They haven't really done anything in America over the last 30 years, while everything falls apart, runs outdated and obsolete. Now's the time we need to take real physical action and fix everything for real. We annex each region, and really take care of it without any permission from governments that claim to have control. Our infrastructure needs repair, we'll fix it now, not years from now. Sociopaths had their chance, and failed miserably. Now watch us take real altruistic action. We have skills, and we're out of work, now we're getting it done, without permission, our way. With this we no longer need to pay anything nor taxes to them. You must do an end-run-around against anyone that gets in your way. Do things differently in ways your opponent can't understand or defeat. 7C people have world diplomatic immunity.

Section by section, we will take the vacant stores, and factories, and we will control the products needed for life, not death. We will grow and preserve our own food for everyone in community farms and gardens. We will make and manufacture everything through communal ownership, as a Co-op, where all will decide what is good and free for all. Businesses will have free operating expenses, saving them money. We will take back our homes, and the banks lose their foreclosure claim, while we go behind their back getting the titles at the title clearing houses, not in possession of the banks, and screw the mortgage, (*we can steal their title too*). Anything they try to stop us, we will find solutions to get around their stopping us. Electric, gas, water, food, everything, we take personal control, and make them free. We will sweep the planet and show the sociopathic aristocracy and despots, they can't control us. By showing us their forces, is to prove their desire to control us and hoard everything, just like a sociopath, or Wetiko.

They may bring in forces, but we vastly outnumber them. We will battle them pacifically, by literally sticking together. An example, I've had a heroin addict friend living with me, that I couldn't get out of my house. The police wouldn't help me, and said I need a court order, which I couldn't afford. I couldn't drag him out, because he would fight me, and he was too heavy. His only motivation was having me give up and give him money to get his dope. His tactic worked. If occupy numbers vastly overwhelmed their forces, WE ALL WIN. 7C people can't be defeated!

How 7C Originated

It started with my internal attitude, because I've been mistreated by everyone all my life, I never liked how everyone took advantage of me, and everything was always unfair. I worked hard at improving my knowledge, and learned everything I could. Most everyone tried to hold me back, and stealing every chance they had from me, and all the gifts I was given, except for some key ones. I won't go into detail, it's too much to fit in here. I was lied to and punished because of the delusions of others hatred toward me. Nevertheless, it stunted the opportunities I had for self-improvement, compared to a normal upbringing. I always hated the unfairness, and

The 7 Concepts Constitution (Version 4.1)

didn't know why I was always mistreated, by EVERYONE. It made me hate authority. Eventually, I learned how many in this world, in order to get ahead, they lie, cheat and steal, and do the most underhanded things on everyone. They are downright evil. Most successful people are complete scammers today, with no integrity or honesty. But once I got out of that abusive environment, I finally got my chance to develop myself in electronics, and I got a full scholarship to become a computer engineer, a BSEET, being the best in my class when it came to computers.

None the less, I invented a new device that many people are using in their cell phones, computers, cameras, and recording industry today. A special Analog to Digital Converter (ADC) design that allowed for 24-bit precision at high speed and low power. I found the holy grail of ADCs. This was back in 1990. I did the smart and wise thing to do, so I thought. I went to a company, Invention Submission Corporation (ISC), and spent \$6,000 to market my new ADC. Well, it worked, and it got sold to Crystal Semiconductor, mass producing it throughout the world.

A year later I see my invention posted in the electronics trade papers, and was surprised, and then pissed after I realized what had happened. ISC did an underhanded deal, and cut me out all together, behind my back. There was nothing I could do, I had no money, and couldn't fight this. I didn't get a penny from my invention. ISC was in the business of doing this scam on every inventor that walked through their door. I couldn't patent it because that cost \$10,000 at the time. I could have been a multimillionaire, and used that money to make more inventions. I was pissed and so angry. So I decided to do something on May 6, 1992. I thought this must be stopped and I'm going to make a system to destroy them from ever doing this to everyone again. In the next few hours I wrote 10 things to stop the elites and shitheads from scamming everyone, and from their strangle hold of power and control over the world. Eventually, I realized that 3 of the concepts were similar, and combined them to make 7. As I kept going through and refining it, I discovered it was a system to make things happen to advance knowledge, besides freeing everyone from the restrictions of the world. I spent 7 years making it better, and analyzing the structures of a new government so it would never be corrupted, and I had to make sure all the problems in the world would be solved and end. Well, it's over 25 years later, and as the saying goes from Apple Computer, "Those crazy enough to think they can change the world, usually do."

Rick(Ricci) Anthony Loll, Planetary Prince, The Lamb, founding Wingmaker, and the original maker of The Seven Concepts Constitution.

P.S. Most will never believe I am Jesus incarnate. I was to descend on a cloud. I did, because I was physically born the day before the blizzard of 1967, on January 25th, with a meter of snow, on a lunar eclipse. And everyone knows blizzards usually come in on clear sunny days, so clearly, everyone knows I never came yet. Case settled. What about the Judgment (*of the nations*)? 3D, 4D, 5D, you get the idea. (Matthew 24: 25-34, Mark 13:26-30, Luke 21:27-32.) Revelations and the 2nd coming may never happen, even if 5D Earth is here now. But even so, if there's a 2nd coming, I'm the closest thing to it. **But, every bit of it is a deception. We're all it.**

P.P.S. Writing this Constitution, I feel like I'm trying to swoon a beautiful woman, and no matter how hard I try making it the best, it will never be good enough for her.

The 7 Concepts Constitution (Version 4.1)

(New to version 4.1)

Appendix A

Everything that's Wrong with The U.S. Constitution



Everything that I feel is wrong or negative will be colored **Red**, while positives colored in **green**, contrary views will be **purple**, and administrative (or no comment) will be left in black. The original text is otherwise posted in smaller 9pt. font.

(Preamble)

"We the People of the United States, in Order to form a more perfect Union, establish Justice, insure domestic Tranquility, provide for the common defence, promote the general Welfare, and secure the Blessings of Liberty to ourselves and our Posterity, do ordain and establish this Constitution for the United States of America."

It appears that very little of this is practiced in the U.S. I would prefer to be sovereign, but integrated as needed. I don't see justice, when all they do is barbarically punish without solving anything, which is entrapment. I don't see tranquility, with so much war, with so much domestic poverty. A good defense is upholding a strong city, meaning ensuring all our needs are met, but rotting from within weakens all. The general welfare is not sustained with such rampant homelessness and evictions. Liberty only exists when everything is free of charge, but has become an elitist prosperity of the few, and oligarchically corrupt. Very little of this preamble has been upheld.

Article I (Article 1 - Legislative)

Section 1

The 7 Concepts Constitution (Version 4.1)

All legislative Powers herein granted shall be vested in a Congress of the United States, which shall consist of a Senate and House of Representatives.

Section 2

1: The **House of Representatives** shall be composed of Members chosen every second Year by the People of the several States, and the **Electors** in each State shall have the Qualifications requisite for Electors of the most numerous Branch of the State Legislature.

The idea of representation is a fallacy of trusting that those who get elected by a crooked system of electors, a patriarchal construct to maintain their power over the people. We have discovered that representation fails miserably at hearing the voices of their constituents, for a multitude of reasons, lobbyists for corporations making an oligarchy, non-partisan groups ignoring constituents, as Republicans do, giving no communication access, while legislating based on financial, political and religious bias, being the total opposite of democracy, to name just few.

2: No Person shall be a Representative who shall not have attained to the Age of twenty five Years, and been seven Years a Citizen of the United States, and who shall not, when elected, be an Inhabitant of that State in which he shall be chosen.

3: Representatives and direct Taxes shall be apportioned among the several States which may be included within this Union, according to their respective Numbers, which shall be determined by adding to the whole Number of **free Persons**, including those bound to Service for a Term of Years, and excluding Indians not taxed, **three fifths of all other Persons**. (*Note: The part of Article 1 Section 2 Clause 3 relating to the mode of apportionment of representatives among the several States has been affected by Amendment 14 Section 2, and as to taxes on incomes without apportionment by Amendment 16.*) The actual Enumeration shall be made within three Years after the first Meeting of the Congress of the United States, and within every subsequent Term of ten Years, in such Manner as they shall by Law direct. The Number of Representatives shall not exceed one for every thirty Thousand, but each State shall have at Least one Representative; and until such enumeration shall be made, the State of New Hampshire shall be entitled to chuse three, Massachusetts eight, Rhode-Island and Providence Plantations one, Connecticut five, New-York six, New Jersey four, Pennsylvania eight, Delaware one, Maryland six, Virginia ten, North Carolina five, South Carolina five, and Georgia three.

“Free Persons” (not slaves), the insanity is self explanatory, and “three fifths of all other Persons”, as this is shit representation as we are not fractional people.

4: When vacancies happen in the Representation from any State, the Executive Authority thereof shall issue Writs of Election to fill such Vacancies.

5: The House of Representatives shall chuse their Speaker and other Officers; and shall have the sole Power of Impeachment.

Section 3

1: The Senate of the United States shall be composed of **two Senators** from each State, chosen by the Legislature thereof, (*Note: Article 1 Section 3 Clause 1 has been affected by Amendment 17 Section 1.*) for six Years; and each Senator shall have one Vote.

Here again, just like in the house, but worse, because it more severely maligns representation.

2: Immediately after they shall be assembled in Consequence of the first Election, they shall be divided as equally as may be into three Classes. The Seats of the Senators of the first Class shall be vacated at the Expiration of the second Year, of the second Class at the Expiration of the fourth Year, and of the third Class at the Expiration of the sixth Year, so that one third may be chosen every second Year; and if Vacancies happen by Resignation, or otherwise, during the Recess of the Legislature of any State, the Executive thereof may make temporary Appointments until the next Meeting of the Legislature, which shall then fill such Vacancies. (*Note: Article 1 Section 3 Clause 2 has been affected by Amendment 17 Section 2.*)

3: No Person shall be a Senator who shall not have attained to the Age of thirty Years, and been nine

The 7 Concepts Constitution (Version 4.1)

Years a Citizen of the United States, and who shall not, when elected, be an Inhabitant of that State for which he shall be chosen.

4: The Vice President of the United States shall be President of the Senate, but shall have no Vote, unless they be equally divided.

5: The Senate shall chuse their other Officers, and also a President pro tempore, in the Absence of the Vice President, or when he shall exercise the Office of President of the United States.

Failed democracy.

6: The Senate shall have the sole Power to try all Impeachments. When sitting for that Purpose, they shall be on Oath or Affirmation. When the President of the United States is tried, the Chief Justice shall preside: And no Person shall be convicted without the Concurrence of two thirds of the Members present.

Barbaric judgment and persecution, etc, and the people are left out of democracy once again.

7: Judgment in Cases of impeachment shall not extend further than to removal from Office, and disqualification to hold and enjoy any Office of honor, Trust or Profit under the United States: but the Party convicted shall nevertheless be liable and subject to Indictment, Trial, Judgment and Punishment, according to Law.

No Mercy? Totally against Concept 4). This is also a Coup in the making, as the chief senator decides to bring such impeachment to vote, and doesn't, due to collusion with the President, et al.

Section 4

1: The Times, Places and Manner of holding Elections for Senators and Representatives, shall be prescribed in each State by the Legislature thereof; but the Congress may at any time by Law make or alter such Regulations, except as to the Places of choosing Senators.

No Democracy.

2: The Congress shall assemble at least once in every Year, and such Meeting shall be on the first Monday in December, (*Note: Article 1 Section 4 Clause 2 has been affected by Amendment 20.*) unless they shall by Law appoint a different Day.

Section 5

1: Each House shall be the Judge of the Elections, Returns and Qualifications of its own Members, and a Majority of each shall constitute a Quorum to do Business; but a smaller Number may adjourn from day to day, and may be authorized to compel the Attendance of absent Members, in such Manner, and under such Penalties as each House may provide.

2: Each House may determine the Rules of its Proceedings, punish its Members for disorderly Behaviour, and, with the Concurrence of two thirds, expel a Member.

3: Each House shall keep a Journal of its Proceedings, and from time to time publish the same, excepting such Parts as may in their Judgment require Secrecy; and the Yeas and Nays of the Members of either House on any question shall, at the Desire of one fifth of those Present, be entered on the Journal.

This is compliant with Concept 6) Transparency, but there shall be no secrecy whatsoever.

4: Neither House, during the Session of Congress, shall, without the Consent of the other, adjourn for more than three days, nor to any other Place than that in which the two Houses shall be sitting.

Section 6

1: The Senators and Representatives shall receive a Compensation for their Services, to be ascertained by Law, and paid out of the Treasury of the United States. (*Note: Article 1 Section 6 Clause 1 has been affected by Amendment 27.*) They shall in all Cases, except Treason, Felony and Breach of the Peace, be privileged from Arrest during their Attendance at the Session of their respective Houses, and in going to and returning from the same; and for any Speech or Debate in either House, they shall not be questioned in any other Place.

2: No Senator or Representative shall, during the Time for which he was elected, be appointed to any

The 7 Concepts Constitution (Version 4.1)

civil Office under the Authority of the United States, which shall have been created, or the Emoluments whereof shall have been increased during such time; and no Person holding any Office under the United States, shall be a Member of either House during his Continuance in Office.

Section 7

1: All Bills for raising Revenue shall originate in the House of Representatives; but the Senate may propose or concur with Amendments as on other Bills.

2: Every Bill which shall have passed the House of Representatives and the Senate, shall, before it become a Law, be presented to the President of the United States; If he approve he shall sign it, but if not he shall return it, with his Objections to that House in which it shall have originated, who shall enter the Objections at large on their Journal, and proceed to reconsider it. If after such Reconsideration two thirds of that House shall agree to pass the Bill, it shall be sent, together with the Objections, to the other House, by which it shall likewise be reconsidered, and if approved by two thirds of that House, it shall become a Law. But in all such Cases the Votes of both Houses shall be determined by yeas and Nays, and the Names of the Persons voting for and against the Bill shall be entered on the Journal of each House respectively. If any Bill shall not be returned by the President within ten Days (Sundays excepted) after it shall have been presented to him, the Same shall be a Law, in like Manner as if he had signed it, unless the Congress by their Adjournment prevent its Return, in which Case it shall not be a Law.

3: Every Order, Resolution, or Vote to which the Concurrence of the Senate and House of Representatives may be necessary (except on a question of Adjournment) shall be presented to the President of the United States; and before the Same shall take Effect, shall be approved by him, or being disapproved by him, shall be repassed by two thirds of the Senate and House of Representatives, according to the Rules and Limitations prescribed in the Case of a Bill.

Section 8

1: The Congress shall have Power To lay and collect **Taxes, Duties, Imposts and Excises**, to pay the Debts and provide for the common Defence and general **Welfare** of the United States; but all Duties, Imposts and Excises shall be uniform throughout the United States;

2: To borrow Money on the credit of the United States;

3: To regulate Commerce with foreign Nations, and among the several States, and with the Indian Tribes;

4: To establish an uniform Rule of Naturalization, and uniform Laws on the subject of Bankruptcies throughout the United States;

5: To coin Money, regulate the Value thereof, and of foreign Coin, and **fix the Standard of Weights and Measures**;

"6: To provide for the Punishment of counterfeiting the Securities and current Coin of the United States;"

All punishment is outlawed in 7C. Showing the institutionalization of punishment in the U.S. system.

"7: To establish Post Offices and post Roads;"

Defined in 7C as 2v.

"8: To promote the Progress of Science and useful Arts, by securing for limited Times to Authors and Inventors the exclusive Right to their respective Writings and Discoveries;"

Defined in 7C as 2mj.

"9: To constitute Tribunals inferior to the supreme Court;"

Tribunals of judgment are outlawed in 4b, but only of mediation in 4d, for peaceable outcomes. They need to create Restorative Justice, but it's not allowed.

"10: To define and punish Piracies and Felonies committed on the high Seas, and Offences against the Law of Nations;"

Again, punishment is outlawed by Concept 4).

The 7 Concepts Constitution (Version 4.1)

“11: To declare War, grant Letters of Marque and Reprisal, and make Rules concerning Captures on Land and Water;”

War has been outlawed by Concept 7). “Letters of Marque and Reprisal” are outlawed by 3b and 3c. Territorialism has been outlawed by 5i and 5ap.

12: To raise and support Armies, but no Appropriation of Money to that Use shall be for a longer Term than two Years;

13: To provide and maintain a Navy;
Armies and Navies, etc., have been converted to pacifistic purposes, by 2ae.

14: To make Rules for the Government and Regulation of the land and naval Forces;

15: To provide for calling forth the Militia to execute the Laws of the Union, suppress Insurrections and repel Invasions;

16: To provide for organizing, arming, and disciplining, the Militia, and for governing such Part of them as may be employed in the Service of the United States, reserving to the States respectively, the Appointment of the Officers, and the Authority of training the Militia according to the discipline prescribed by Congress;

Here, Militias are explained to resemble police forces, abolished by Concept 4).

17: To exercise exclusive Legislation in all Cases whatsoever, over such District (not exceeding ten Miles square) as may, by Cession of particular States, and the Acceptance of Congress, become the Seat of the Government of the United States, and to exercise like Authority over all Places purchased by the Consent of the Legislature of the State in which the Same shall be, for the Erection of Forts, Magazines, Arsenals, dock-Yards, and other needful Buildings;—And

“Places purchased”, implies territorialism, which is abolished by 5i and 5ap. This implies warfare, which is abolished by Concept 7).

18: To make all Laws which shall be necessary and proper for carrying into Execution the foregoing Powers, and all other Powers vested by this Constitution in the Government of the United States, or in any Department or Officer thereof.

Section 9

1: The Migration or Importation of such Persons as any of the States now existing shall think proper to admit, shall not be prohibited by the Congress prior to the Year one thousand eight hundred and eight, but a Tax or duty may be imposed on such Importation, not exceeding ten dollars for each Person.

This is entirely about SLAVE IMPORTATION, totally outlawed by 7C. How can you not see the barbarity of the U.S. Constitution?

“2: The Privilege of the Writ of Habeas Corpus shall not be suspended, unless when in Cases of Rebellion or Invasion the public Safety may require it.”

The “Writ of Habeas Corpus” is not clear understandable language, syntactically violating 5h. Otherwise, A writ of habeas corpus (which literally means to "produce the body") is a court order demanding that a public official (such as a warden) deliver an imprisoned individual to the court and show a valid reason for that person's detention. Detention is outlawed by 4b.

“3: No Bill of Attainder or ex post facto Law shall be passed.”

Not clear understandable language, syntactically violating 5h.

The 7 Concepts Constitution (Version 4.1)

A *bill of attainder* (also known as an act of *attainder* or writ of *attainder* or *bill of pains and penalties*) is an act of a legislature declaring a person or group of persons guilty of some crime and punishing them, often without a trial.

An *ex post facto law* (corrupted from Latin: *ex postfacto*, lit. 'out of the aftermath') is a *law* that retroactively changes the legal consequences (or status) of actions that were committed, or relationships that existed, before the enactment of the *law*.

4: No Capitation, or other direct, Tax shall be laid, unless in Proportion to the Census or Enumeration herein before directed to be taken. (*Note 7: Article 1 Section 9 Clause 4 has been affected by Amendment 16.*)

5: No Tax or Duty shall be laid on Articles exported from any State.

6: No Preference shall be given by any Regulation of Commerce or Revenue to the Ports of one State over those of another: nor shall Vessels bound to, or from, one State, be obliged to enter, clear, or pay Duties in another.

"7: No Money shall be drawn from the Treasury, but in Consequence of Appropriations made by Law; and a regular Statement and Account of the Receipts and Expenditures of all public Money shall be published from time to time."

Defined in Concept 6 of Transparency, and also enhanced by 2mg.

"8: No Title of Nobility shall be granted by the United States: And no Person holding any Office of Profit or Trust under them, shall, without the Consent of the Congress, accept of any present, Emolument, Office, or Title, of any kind whatever, from any King, Prince, or foreign State."

A clear violation of what the 45th President has done. Otherwise, this is defined in 5c.

Section 10

1: No State shall enter into any Treaty, Alliance, or Confederation; grant Letters of Marque and Reprisal; coin Money; emit Bills of Credit; make any Thing but gold and silver Coin a Tender in Payment of Debts; pass any Bill of Attainder, ex post facto Law, or Law impairing the Obligation of Contracts, or grant any Title of Nobility.

2: No State shall, without the Consent of the Congress, lay any Imposts or Duties on Imports or Exports, except what may be absolutely necessary for executing it's inspection Laws: and the net Produce of all Duties and Imposts, laid by any State on Imports or Exports, shall be for the Use of the Treasury of the United States; and all such Laws shall be subject to the Revision and Controul of the Congress.

3: No State shall, without the Consent of Congress, lay any Duty of Tonnage, keep Troops, or Ships of War in time of Peace, enter into any Agreement or Compact with another State, or with a foreign Power, or engage in War, unless actually invaded, or in such imminent Danger as will not admit of delay.

This just restrictions on the states, and redundant issues already explained.

Article II (Article 2 - Executive)

Section 1

1: The executive Power shall be vested in a President of the United States of America. **He shall hold his Office during the Term of four Years**, and, together with the Vice-President, chosen for the same Term, be elected, as follows

For the most part there hasn't been a problem, but until recently many presidents have abused their position, especially the 45th. We should never leave the door open for such tyrannical leaders being stuck in power, with no capacity to remove them, when they are obviously corrupted to extremes. Patriarchal pronouns 'He' and 'His'.

2: Each State shall appoint, in such Manner as the Legislature thereof may direct, a Number of Electors, equal to the whole Number of Senators and Representatives to which the State may be entitled in the

The 7 Concepts Constitution (Version 4.1)

Congress: but no Senator or Representative, or Person holding an Office of Trust or Profit under the United States, shall be appointed an Elector.

Here again, the total lack of a real democratic system of election, to sustain a patriarchal power base.

~~3: The Electors shall meet in their respective States, and vote by Ballot for two Persons, of whom one at least shall not be an Inhabitant of the same State with themselves. And they shall make a List of all the Persons voted for, and of the Number of Votes for each; which List they shall sign and certify, and transmit sealed to the Seat of the Government of the United States, directed to the President of the Senate. The President of the Senate shall, in the Presence of the Senate and House of Representatives, open all the Certificates, and the Votes shall then be counted. The Person having the greatest Number of Votes shall be the President, if such Number be a Majority of the whole Number of Electors appointed; and if there be more than one who have such Majority, and have an equal Number of Votes, then the House of Representatives shall immediately chuse by Ballot one of them for President; and if no Person have a Majority, then from the five highest on the List the said House shall in like Manner chuse the President. But in chusing the President, the Votes shall be taken by States, the Representation from each State having one Vote; A quorum for this Purpose shall consist of a Member or Members from two thirds of the States, and a Majority of all the States shall be necessary to a Choice. In every Case, after the Choice of the President, the Person having the greatest Number of Votes of the Electors shall be the Vice President. But if there should remain two or more who have equal Votes, the Senate shall chuse from them by Ballot the Vice President. (Note: Has been superseded by Amendment 12.)~~

4: The Congress may determine the Time of chusing the Electors, and the Day on which they shall give their Votes; which Day shall be the same throughout the United States.

Same, unfair election system.

5: No Person except a natural born Citizen, or a Citizen of the United States, at the time of the Adoption of this Constitution, shall be eligible to the Office of President; neither shall any Person be eligible to that Office who shall not have attained to the Age of thirty five Years, and been fourteen Years a Resident within the United States.

6: In Case of the Removal of the President from Office, or of his Death, Resignation, or Inability to discharge the Powers and Duties of the said Office, (*Note: Article 2 Section 1 Clause 6 has been affected by Amendment 20 and Amendment 25.*) the Same shall devolve on the Vice-President, and the Congress may by Law provide for the Case of Removal, Death, Resignation or Inability, both of the President and Vice President, declaring what Officer shall then act as President, and such Officer shall act accordingly, until the Disability be removed, or a President shall be elected.

7: The President shall, at stated Times, receive for his Services, a Compensation, which shall neither be increased nor diminished during the Period for which he shall have been elected, and he shall not receive within that Period any other Emolument from the United States, or any of them.

8: Before he enter on the Execution of his Office, he shall take the following Oath or Affirmation:—"I do solemnly swear (or affirm) that I will faithfully execute the Office of President of the United States, and will to the best of my Ability, preserve, protect and defend the Constitution of the United States."

Section 2

1: The President shall be **Commander in Chief of the Army and Navy** of the United States, and of the Militia of the several States, when called into the actual Service of the United States; he may require the Opinion, in writing, of the principal Officer in each of the executive Departments, upon any Subject relating to the Duties of their respective Offices, and he shall have **Power to grant Reprieves and Pardons for Offences** against the United States, except in Cases of Impeachment.

This imposes a war like standing, and pardons and commonly used to cover-up for corruption.

2: He shall have Power, by and with the Advice and Consent of the Senate, to make Treaties, provided two thirds of the Senators present concur; and he shall nominate, and by and with the Advice and Consent of the Senate, shall **appoint Ambassadors, other public Ministers and Consuls, Judges of the supreme Court, and all other Officers of the United States**, whose Appointments are not herein otherwise provided for, and which shall be established by Law: but the Congress may by Law vest the Appointment

The 7 Concepts Constitution (Version 4.1)

of such inferior Officers, as they think proper, in the President alone, in the Courts of Law, or in the Heads of Departments.

Total lack of democracy.

3: The President shall have Power to fill up all Vacancies that may happen during the Recess of the Senate, by granting Commissions which shall expire at the End of their next Session.

No democracy.

Section 3

He shall from time to time give to the Congress Information of the State of the Union, and recommend to their Consideration such Measures as he shall judge necessary and expedient; he may, on extraordinary Occasions, convene both Houses, or either of them, and in Case of Disagreement between them, with Respect to the Time of Adjournment, he may adjourn them to such Time as he shall think proper; he shall receive Ambassadors and other public Ministers; he shall take Care that the Laws be faithfully executed, and shall Commission all the Officers of the United States.

Section 4

The President, Vice President and all civil Officers of the United States, shall be removed from Office on Impeachment for, and Conviction of, Treason, Bribery, or other high Crimes and Misdemeanors.

Can we do this now to the entire corrupt executive branch, “FOREVER”?

Article III (Article 3 - Judicial)

Section 1

The judicial Power of the United States, shall be vested in one supreme Court, and in such inferior Courts as the Congress may from time to time ordain and establish. The Judges, both of the supreme and inferior Courts, shall hold their Offices during good Behaviour, and shall, at stated Times, receive for their Services, a Compensation, which shall not be diminished during their Continuance in Office.

Bad system, bad people.

Section 2

1: The judicial Power shall extend to all Cases, in Law and Equity, arising under this Constitution, the Laws of the United States, and Treaties made, or which shall be made, under their Authority;—to all Cases affecting Ambassadors, other public Ministers and Consuls;—to all Cases of admiralty and maritime Jurisdiction;—to Controversies to which the United States shall be a Party;—to Controversies between two or more States;—between a State and Citizens of another State; (*Note 10: Article 3 Section 2 Clause 1 has been affected by Amendment 11.*)—between Citizens of different States, —between Citizens of the same State claiming Lands under Grants of different States, and between a State, or the Citizens thereof, and foreign States, Citizens or Subjects.

When do you see “equity”? It's always punishment.

2: In all Cases affecting Ambassadors, other public Ministers and Consuls, and those in which a State shall be Party, the supreme Court shall have original Jurisdiction. In all the other Cases before mentioned, the supreme Court shall have appellate Jurisdiction, both as to Law and Fact, with such Exceptions, and under such Regulations as the Congress shall make.

3: The Trial of all Crimes, except in Cases of Impeachment, shall be by Jury; and such Trial shall be held in the State where the said Crimes shall have been committed; but when not committed within any State, the Trial shall be at such Place or Places as the Congress may by Law have directed.

Is there really such a thing as “crime”, because this doesn't show any method to fix the problems of the broken system.

Section 3

1: Treason against the United States, shall consist only in levying War against them, or in adhering to their Enemies, giving them Aid and Comfort. No Person shall be convicted of Treason unless on the Testimony of two Witnesses to the same overt Act, or on Confession in open Court.

The 7 Concepts Constitution (Version 4.1)

We need to give aid and comfort to our enemies, as in 2ae. That way they will no longer have a reason to attack. Conviction, should be given mercy or absolution, sending them to a more harmonious place, like 4e.

2: The Congress shall have Power to declare the **Punishment** of Treason, but no Attainder of Treason shall work **Corruption of Blood**, or **Forfeiture** except during the Life of the Person attained.

The whole thing is about punishing the “attained”, disgraced, this is all outlawed.

Article IV (Article 4 - States' Relations)

Section 1

Full Faith and Credit shall be given in each State to the public Acts, Records, and judicial Proceedings of every other State. And the Congress may by general Laws prescribe the Manner in which such Acts, Records and Proceedings shall be proved, and the Effect thereof.

Section 2

1: The Citizens of each State shall be entitled to all Privileges and Immunities of Citizens in the several States.

2: A Person charged in any State with Treason, Felony, or other Crime, who shall flee from Justice, and be found in another State, shall on Demand of the executive Authority of the State from which he fled, be delivered up, to be removed to the State having Jurisdiction of the Crime.

Retribution has been outlawed by Concept 4).

3: No Person held to Service or Labour in one State, under the Laws thereof, escaping into another, shall, in Consequence of any Law or Regulation therein, be discharged from such Service or Labour, but shall be delivered up on Claim of the Party to whom such Service or Labour may be due. (Note: Article 4 Section 2 Clause 3 has been affected by Amendment 13.) Section 1.)

Clearly slavery.

Section 3

1: New States may be admitted by the Congress into this Union; but no new State shall be formed or erected within the Jurisdiction of any other State; nor any State be formed by the Junction of two or more States, or Parts of States, without the Consent of the Legislatures of the States concerned as well as of the Congress.

2: The Congress shall have Power to dispose of and make all needful Rules and Regulations respecting the Territory or other Property belonging to the United States; and nothing in this Constitution shall be so construed as to Prejudice any Claims of the United States, or of any particular State.

Territorialism is abolished by 5i and 5ap.

Section 4

The United States shall guarantee to every State in this Union a **Republican Form of Government**, and shall protect each of them against Invasion; and on Application of the Legislature, or of the Executive (when the Legislature cannot be convened) against domestic Violence.

Article V (Article 5 - Mode of Amendment)

The Congress, whenever two thirds of both Houses shall deem it necessary, shall propose Amendments to this Constitution, or, on the Application of the Legislatures of two thirds of the several States, shall call a Convention for proposing Amendments, which, in either Case, shall be valid to all Intents and Purposes, as Part of this Constitution, when ratified by the Legislatures of three fourths of the several States, or by Conventions in three fourths thereof, as the one or the other Mode of Ratification may be proposed by the Congress; Provided that no Amendment which may be made prior to the Year One thousand eight hundred and eight shall in any Manner affect the first and fourth Clauses in the Ninth Section of the first Article; and that no State, without its Consent, shall be deprived of its equal Suffrage in the Senate.

Article VI (Article 6 - Prior Debts, National Supremacy, Oaths of Office)

1: **All Debts contracted and Engagements** entered into, before the Adoption of this Constitution, shall be

The 7 Concepts Constitution (Version 4.1)

as valid against the United States under this Constitution, as under the Confederation.

Obsolete, but 7C abolishes debts with Concept 3).

2: This Constitution, and the Laws of the United States which shall be made in Pursuance thereof; and all Treaties made, or which shall be made, under the Authority of the United States, shall be the supreme Law of the Land; and the Judges in every State shall be bound thereby, any Thing in the Constitution or Laws of any State to the Contrary notwithstanding.

7C is the supreme law of the Earth, so this is nullified.

3: The Senators and Representatives before mentioned, and the Members of the several State Legislatures, and all executive and judicial Officers, both of the United States and of the several States, shall be bound by Oath or Affirmation, to support this Constitution; **but no religious Test shall ever be required as a Qualification** to any Office or public Trust under the United States.

Article VII (Article 7 - Ratification)

The Ratification of the Conventions of nine States, shall be sufficient for the Establishment of this Constitution between the States so ratifying the Same.

The Word "the", being interlined between the seventh and eight Lines of the first Page, The Word "Thirty" being partly written on an Erasure in the fifteenth Line of the first Page. The Words "is tried" being interlined between the thirty second and thirty third Lines of the first Page and the Word "the" being interlined between the forty third and forty fourth Lines of the second Page.

Congress OF THE United States

begun and held at the City of New-York, on Wednesday the fourth of March, one thousand seven hundred and eighty nine.

THE Conventions of a number of the States, having at the time of their adopting the Constitution, expressed a desire, in order to prevent misconstruction or abuse of its powers, that further declaratory and restrictive clauses should be added: And as extending the ground of public confidence in the Government, will best ensure the beneficent ends of its institution.

RESOLVED by the Senate and House of Representatives of the United States of America, in Congress assembled, two thirds of both Houses concurring, that the following Articles be proposed to the Legislatures of the several States, as amendments to the Constitution of the United States, all, or any of which Articles, when ratified by three fourths of the said Legislatures, to be valid to all intents and purposes, as part of the said Constitution; viz.

ARTICLES in addition to, and Amendment of the Constitution of the United States of America, proposed by Congress, and ratified by the Legislatures of the several States, pursuant to the fifth Article of the original Constitution.

Note: The first ten amendments to the Constitution of the United States are known as the Bill of Rights.

Article the first. After the first enumeration required by the first Article of the Constitution, there shall be one Representative for every thirty thousand, until the number shall amount to one hundred, after which, the proportion shall be so regulated by Congress, that there shall be not less than one hundred Representatives, nor less than one Representative for every forty thousand persons, until the number of Representatives shall amount to two hundred, after which the proportion shall be so regulated by Congress, that there shall not be less than two hundred Representatives, nor more than one Representative for every fifty thousand persons.

Article the second. No law, varying the compensation for the services of the Senators and Representatives, shall take effect, until an election of Representatives shall have intervened. *See Amendment 27)*

Note: The Bill of Rights only had ten of the twelve articles ratified and these were then renumbered. Of the others only the 13th, 14th, 15th, and 16th articles of amendment had numbers assigned to them at the time of ratification.

Why the U.S. Bill of Rights is actually a "Bill of Punishments"



Upon looking at the U.S. Constitution, written by James Madison, I realized that it's all fear and punishment based. The Bill of Rights defines a Retribution Justice system, as if there's no other kind, but punishment. Look how much of it is made of this irrationally brutal barbaric practice! A Merciful [Restorative Justice](#) system would be impossible under it, and would require the repeal of nearly everything in **Red**.

Well the 1st Amendment, isn't so bad,

Amendment 1) Freedom of expression and religion - "Congress shall make no law respecting an establishment of religion, or prohibiting the free exercise thereof; or abridging the freedom of speech, or of the press; or the right of the people peaceably to assemble, and to petition the Government for a redress of grievances." but lets continue:

The 7 Concepts Constitution (Version 4.1)

Amendment 2) Bearing Arms - "The right of the people to keep and bear arms shall not be infringed; a well armed and well regulated militia being the best security of a free country: but no person religiously scrupulous of bearing arms shall be compelled to render military service in person."- James Madison, or,

"A well regulated Militia, being necessary to the security of a free State, the right of the people to keep and bear Arms, shall not be infringed."

The fact this goes completely against the Pacifism of Concept 7), is besides the point. If the act of war in itself is punishment of nations, let alone being armed is a form of lethal punishment, using fear as protection.

Amendment 3) Quartering Soldiers - "No soldier shall, in time of peace, be quartered in any house without the consent of the owner, nor in time of war, but in a manner to be prescribed by law."

As a followup of the 2nd Amendment, war is punishment.

Amendment 4) Search and Seizure - "The right of the People to be secure in their persons, houses, papers and effects, against unreasonable searches and seizures, shall not be violated, and no warrants shall issue, but upon probable cause supported by oath or affirmation, and particularly describing the place to be searched, and the persons or things to be seized."

This would imply that a judgment toward a punishment is sought, therefore a persecution of everyone is forced and never does anyone have the right to mercy. Concept 2b, 6c, and multitude of other 7C rights are violated.

Amendment 5) Rights of Persons - "No person shall be held to answer for a capital, or otherwise infamous crime, unless on a presentment or indictment of a Grand Jury, except in cases arising in the land or naval forces, or in the Militia, when in actual service in time of War or public danger; nor shall any person be subject for the same offence to be twice put in jeopardy of life or limb; nor shall be compelled in any criminal case to be a witness against himself, nor be deprived of life, liberty, or property, without due process of law; nor shall private property be taken for public use, without just compensation."

"Grand Jury", "put in jeopardy", "witness against himself", "be deprived", "due process", "property be taken", all of this implies immanent punishment, even though it does not explicitly say punish.

Amendment 6) Rights of Accused in Criminal Prosecutions - "In all criminal prosecutions, the accused shall enjoy the right to a speedy and public trial, by an impartial jury of the State and district wherein the crime shall have been committed, which district shall have been previously ascertained by law, and to be informed of the nature and cause of the accusation; to be confronted with the witnesses against him; to have compulsory process for obtaining witnesses in his favor, and to have the Assistance of Counsel for his defence."

This is the process by with people are so-called, given a "Fair Trial", being a total joke on the poor people today, and the rich never actually are forced into. This is a punishment on the poor people only, because they never get a fair trial because they have no money, and the entire system is stacked against them, where 97% of the time they lose their case, only to be punished with long sentences that ruin their innocent lives forever. Not to mention their mandatory incarceration "punishment" for long periods of time, while waiting to their "fair trial" without real defense, nor letting them build their defense. We should never have to defend ourselves from this horrible treatment, and the menagerie of insanely twisted things that go wrong.

Amendment 7) Civil Trials - "In suits at common law, where the value in controversy shall exceed twenty dollars, the right of trial by Jury shall be preserved, and no fact, tried by a Jury, shall be otherwise re-examined in any court of the United States, than according to the rules of the common law. "

The 7 Concepts Constitution (Version 4.1)

Here again, all the law implies punishment, as nobody ever considered that solutions could be something other than punishment, nor considered that money might be abolished forever, which is the main factor in over 95% of all crimes. The lack of foresight is astonishing.

Amendment 8) Further Guarantees in Criminal Cases - "Excessive bail shall not be required, nor excessive fines imposed, nor cruel and unusual punishments inflicted."

But here is explicitly saying that we shall be punished. But they thought "cruel and unusual," was barbaric, yet never went so far as to think punishment itself was barbaric, oh no, deary me, parish the thought. And the fines are ad hoc given to the poor in the same amounts as the rich. How unfair is that? The poor are given fines or bail far beyond their life savings, are nothing to the wealth to do, as the poor are forced to wait out their damnation.

Amendment 9) Unenumerated Rights - "The enumeration in the Constitution, of certain rights, shall not be construed to deny or disparage others retained by the people."

This would imply some unscrupulous groups may abridge the rights of the people, of course ignoring the fact that the 13th Amendment does just this, which is to enslave the people as punishment.

Amendment 10) Reserved Powers - "The powers not delegated to the United States by the Constitution, nor prohibited by it to the States, are reserved to the States respectively, or to the people."

Scant of whatever right this is, other than "States Rights". Very vague.

Amendment 11) Suits Against States - "The Judicial power of the United States shall not be construed to extend to any suit in law or equity, commenced or prosecuted against one of the United States by Citizens of another State, or by Citizens or Subjects of any Foreign State." *affects Amendment 10)*

Amendment 12) Election of President - "The Electors shall meet in their respective states, and vote by ballot for President and Vice-President, one of whom, at least, shall not be an inhabitant of the same state with themselves; they shall name in their ballots the person voted for as President, and in distinct ballots the person voted for as Vice-President, and they shall make distinct lists of all persons voted for as President, and of all persons voted for as Vice-President, and of the number of votes for each, which lists they shall sign and certify, and transmit sealed to the seat of the government of the United States, directed to the President of the Senate;—The President of the Senate shall, in the presence of the Senate and House of Representatives, open all the certificates and the votes shall then be counted;—The person having the greatest number of votes for President, shall be the President, if such number be a majority of the whole number of Electors appointed; and if no person have such majority, then from the persons having the highest numbers not exceeding three on the list of those voted for as President, the House of Representatives shall choose immediately, by ballot, the President. But in choosing the President, the votes shall be taken by states, the representation from each state having one vote; a quorum for this purpose shall consist of a member or members from two-thirds of the states, and a majority of all the states shall be necessary to a choice. ~~And if the House of Representatives shall not choose a President whenever the right of choice shall devolve upon them, before the fourth day of March next following, then the Vice-President shall act as President, as in the case of the death or other constitutional disability of the President.~~ (Note:—This sentence has been superseded by Amendment 20) Section 3.)—The person having the greatest number of votes as Vice-President, shall be the Vice-President, if such number be a majority of the whole number of Electors appointed, and if no person have a majority, then from the two highest numbers on the list, the Senate shall choose the Vice-President; a quorum for the purpose shall consist of two-thirds of the whole number of Senators, and a majority of the whole number shall be necessary to a choice. But no person constitutionally ineligible to the office of President shall be eligible to that of Vice-President of the United States." *affects Amendment 8)*

The 7 Concepts Constitution (Version 4.1)

Administrative, no comment.

Amendment 13) Slavery and Involuntary Servitude -

“**Section 1.** Neither slavery nor involuntary servitude, except as a punishment for crime whereof the party shall have been duly convicted, shall exist within the United States, or any place subject to their jurisdiction.” *affects Amendment 11*

“**Section 2.** Congress shall have power to enforce this article by appropriate legislation.”

Not defined as a right, but still defining the barbaric practice of punishment, and actually encouraging enslavement as a form of punishment. This is despicably horrible! Nonetheless, it did help curb slavery to a relative degree, but enslavement is still rampant in other methods not thought of as such, like wage slavery, and extreme costs of living.

Nonetheless, we have defined here 8 out of 13 "rights" (besides 4 of them being administrative, and not actual rights), that define punishment both directly, and implicitly for the rest, that proves the “Bill of Rights” does no such thing for the people, but forces us into a state of organized barbaric punishment for its eternity, until we abolish the U.S. Constitution for the 7C Constitution. The only real rights are the 5 crammed into the 1st Amendment. Really? This is insane how the American people ignore this, considering them rights anyway, but for their own personal path towards damnation.

Amendment 14) Rights Guaranteed: Privileges and Immunities of Citizenship, Due Process, and Equal Protection -

“**Section 1:** All persons born or naturalized in the United States, and subject to the jurisdiction thereof, are citizens of the United States and of the State wherein they reside. No State shall make or enforce any law which shall abridge the privileges or immunities of citizens of the United States; nor shall any State deprive any person of life, liberty, or property, without due process of law; nor deny to any person within its jurisdiction the equal protection of the laws.”

“**Section 2:** Representatives shall be apportioned among the several States according to their respective numbers, counting the whole number of persons in each State, excluding Indians not taxed. But when the right to vote at any election for the choice of electors for President and Vice President of the United States, Representatives in Congress, the Executive and Judicial officers of a State, or the members of the Legislature thereof, is denied to any of the male inhabitants of such State, being twenty-one years of age, (*Note: This Article is modified by Amendment 24 Section 1 and Amendment 26 Section 1.*) and citizens of the United States, or in any way abridged, except for participation in rebellion, or other crime, the basis of representation therein shall be reduced in the proportion which the number of such male citizens shall bear to the whole number of male citizens twenty-one years of age in such State.” *affects Amendment 2*

“**Section 3:** No person shall be a Senator or Representative in Congress, or elector of President and Vice President, or hold any office, civil or military, under the United States, or under any State, who, having previously taken an oath, as a member of Congress, or as an officer of the United States, or as a member of any State legislature, or as an executive or judicial officer of any State, to support the Constitution of the United States, shall have engaged in insurrection or rebellion against the same, or *given aid or comfort to the enemies* thereof. But Congress may by a vote of two-thirds of each House, remove such disability.”

“**Section 4:** The validity of the public debt of the United States, authorized by law, including debts incurred for payment of pensions and bounties for services in suppressing insurrection or rebellion, shall not be questioned. But neither the United States nor any State shall assume or pay any debt or obligation incurred in aid of insurrection or rebellion against the United States, or any claim for the loss or emancipation of any slave; but all such debts, obligations and claims shall be held illegal and void.”

“**Section 5:** The Congress shall have power to enforce, by appropriate legislation, the provisions of this article.”

The 7 Concepts Constitution (Version 4.1)

Amendment 15) Rights of Citizens to Vote - “The right of citizens of the United States to vote shall not be denied or abridged by the United States or by any State on account of race, color, or previous condition of servitude.

The Congress shall have power to enforce this article by appropriate legislation.”

This is progress, but they neglected to allow women and children the right to vote, as in 1d, 2aa and in Voting Rules.

Amendment 16) Income Tax - “The Congress shall have power to lay and collect taxes on incomes, from whatever source derived, without apportionment among the several States, and without regard to any census or enumeration.” *affects Amendment 2)*

Travesty; this should have been given to businesses, and not levied on people.

Amendment 17) Popular Election of Senators -

“**Section 1:** The Senate of the United States shall be composed of two Senators from each State, elected by the people thereof, for six years; and each Senator shall have one vote. The electors in each State shall have the qualifications requisite for electors of the most numerous branch of the State legislatures.” *affects Amendment 3)*

“**Section 2:** When vacancies happen in the representation of any State in the Senate, the executive authority of such State shall issue writs of election to fill such vacancies: Provided, That the legislature of any State may empower the executive thereof to make temporary appointments until the people fill the vacancies by election as the legislature may direct.” *affects Amendment 4)*

“**Section 3:** This amendment shall not be so construed as to affect the election or term of any Senator chosen before it becomes valid as part of the Constitution.”

Amendment 18) prohibition of intoxicating liquors - (*Note: Repealed by Amendment 21) Section 1)*

“~~Section 1: After one year from the ratification of this article the manufacture, sale, or transportation of intoxicating liquors within, the importation thereof into, or the exportation thereof from the United States and all territory subject to the jurisdiction thereof for beverage purposes is hereby prohibited.~~”

“~~Section 2: The Congress and the several States shall have concurrent power to enforce this article by appropriate legislation.~~”

“~~Section 3: This article shall be inoperative unless it shall have been ratified as an amendment to the Constitution by the legislatures of the several States, as provided in the Constitution, within seven years from the date of the submission hereof to the States by the Congress.~~”

Amendment 19) Women's Suffrage Rights - The right of citizens of the United States to vote shall not be denied or abridged by the United States or by any State on account of sex. *affects Amendment 15)*

Congress shall have power to enforce this article by appropriate legislation.

A bit late, by *about 200 years*.

Amendment 20) Terms of President, Vice President, Members of Congress: Presidential Vacancy -

“**Section 1:** The terms of the President and Vice President shall end at noon on the 20th day of January, and the terms of Senators and Representatives at noon on the 3d day of January, of the years in which such terms would have ended if this article had not been ratified; and the terms of their successors shall then begin.” *affects Amendment 5)*

“**Section 2:** The Congress shall assemble at least once in every year, and such meeting shall begin at noon on the 3d day of January, unless they shall by law appoint a different day.” *affects Amendment 5)*

“**Section 3:** If, at the time fixed for the beginning of the term of the President, the President elect shall have died, the Vice President elect shall become President. If a President shall not have been chosen before the time fixed for the beginning of his term, or if the President elect shall have failed to qualify, then the Vice President elect shall act as President until a President shall have qualified; and the Congress may by law provide for the case wherein neither a President elect nor a Vice President elect shall have qualified, declaring who shall then act as President, or the manner in which one who is to act shall be selected, and such person shall act accordingly until a President or Vice President shall have qualified.” *affects Amendment 9) and Amendment 14)*

“**Section 4:** The Congress may by law provide for the case of the death of any of the persons from

The 7 Concepts Constitution (Version 4.1)

whom the House of Representatives may choose a President whenever the right of choice shall have devolved upon them, and for the case of the death of any of the persons from whom the Senate may choose a Vice President whenever the right of choice shall have devolved upon them.” *affects Amendment 9)*

“**Section 5:** Sections 1 and 2 shall take effect on the 15th day of October following the ratification of this article.”

“**Section 6:** This article shall be inoperative unless it shall have been ratified as an amendment to the Constitution by the legislatures of three-fourths of the several States within seven years from the date of its submission.”

Amendment 21) Repeal of Eighteenth Amendment -

“**Section 1:** The eighteenth article of amendment to the Constitution of the United States is hereby repealed.” *affects Amendment 18)*

“**Section 2:** The transportation or importation into any State, Territory, or possession of the United States for delivery or use therein of intoxicating liquors, in violation of the laws thereof, is hereby prohibited.”

Does this mean it's still illegal? Sounds like it to me.

“**Section 3:** This article shall be inoperative unless it shall have been ratified as an amendment to the Constitution by conventions in the several States, as provided in the Constitution, within seven years from the date of the submission hereof to the States by the Congress.”

Amendment 22) Presidential Tenure -

“**Section 1:** No person shall be elected to the office of the President more than twice, and no person who has held the office of President, or acted as President, for more than two years of a term to which some other person was elected President shall be elected to the office of the President more than once. But this article shall not apply to any person holding the office of President when this article was proposed by the Congress, and shall not prevent any person who may be holding the office of President, or acting as President, during the term within which this article becomes operative from holding the office of President or acting as President during the remainder of such term.”

“**Section 2:** This article shall be inoperative unless it shall have been ratified as an amendment to the Constitution by the legislatures of three-fourths of the several states within seven years from the date of its submission to the states by the Congress.”

Amendment 23) Presidential Electors for the District of Columbia -

“**Section 1:** The District constituting the seat of government of the United States shall appoint in such manner as the Congress may direct: A number of electors of President and Vice President equal to the whole number of Senators and Representatives in Congress to which the District would be entitled if it were a state, but in no event more than the least populous state; they shall be in addition to those appointed by the states, but they shall be considered, for the purposes of the election of President and Vice President, to be electors appointed by a state; and they shall meet in the District and perform such duties as provided by the twelfth article of amendment.”

“**Section 2:** The Congress shall have power to enforce this article by appropriate legislation.”

Amendment 24) Abolition of the Poll Tax Qualification in Federal Elections -

“**Section 1:** The right of citizens of the United States to vote in any primary or other election for President or Vice President, for electors for President or Vice President, or for Senator or Representative in Congress, shall not be denied or abridged by the United States or any state by reason of failure to pay any poll tax or other tax.”

“**Section 2:** The Congress shall have power to enforce this article by appropriate legislation.”

Amendment 25) Presidential Vacancy, Disability, and Inability - *affects Amendment 9)*

“**Section 1:** In case of the removal of the President from office or of his death or resignation, the Vice President shall become President.”

“**Section 2:** Whenever there is a vacancy in the office of the Vice President, the President shall nominate a Vice President who shall take office upon confirmation by a majority vote of both Houses of

The 7 Concepts Constitution (Version 4.1)

Congress.”

“**Section 3:** Whenever the President transmits to the President pro tempore of the Senate and the Speaker of the House of Representatives his written declaration that he is unable to discharge the powers and duties of his office, and until he transmits to them a written declaration to the contrary, such powers and duties shall be discharged by the Vice President as Acting President.”

“**Section 4:** Whenever the Vice President and a majority of either the principal officers of the executive departments or of such other body as Congress may by law provide, transmit to the President pro tempore of the Senate and the Speaker of the House of Representatives their written declaration that the President is unable to discharge the powers and duties of his office, the Vice President shall immediately assume the powers and duties of the office as Acting President.

Thereafter, when the President transmits to the President pro tempore of the Senate and the Speaker of the House of Representatives his written declaration that no inability exists, he shall resume the powers and duties of his office unless the Vice President and a majority of either the principal officers of the executive department or of such other body as Congress may by law provide, transmit within four days to the President pro tempore of the Senate and the Speaker of the House of Representatives their written declaration that the President is unable to discharge the powers and duties of his office. Thereupon Congress shall decide the issue, assembling within forty-eight hours for that purpose if not in session. If the Congress, within twenty-one days after receipt of the latter written declaration, or, if Congress is not in session, within twenty-one days after Congress is required to assemble, determines by two-thirds vote of both Houses that the President is unable to discharge the powers and duties of his office, the Vice President shall continue to discharge the same as Acting President; otherwise, the President shall resume the powers and duties of his office.”

Amendment 26) Reduction of Voting Age Qualification -

“**Section 1:** The right of citizens of the United States, who are 18 years of age or older, to vote, shall not be denied or abridged by the United States or any state on account of age.” *affects [Amendment 20](#)*

“**Section 2:** The Congress shall have the power to enforce this article by appropriate legislation.”

Amendment 27) Congressional Pay Limitation - *No law varying the compensation for the services of the Senators and Representatives shall take effect until an election of Representatives shall have intervened.*

Still no equal rights amendment, for over 40 years, which shows the bureaucratic travesty of never getting anything done.

Vocabulary

3d - 3rd (third)

abridged - shortened

adjourn - suspend proceedings to another time

adjournment - suspending proceedings to another time

appellate - appeal (review decision)

appropriation - authorize spending

apportioned - distributed

apportionment - distributing

attainted - disgrace

Bill of Attainder - legislative act pronouncing guilt without trial

capitation - poll tax

cession - grant

comity - courteous recognition of laws and institutions of another (state)

commenced - started

concur - agree

concurrent - at the same time

concurrence - agreement

concurring - in agreement

The 7 Concepts Constitution (Version 4.1)

construed - interpreted

Corruption of Blood - **punishment** of person and heirs

counsel - lawyer

declaratory - explaining law or right

democracy - this word is not in these documents directly, but “We the people” and “Republican Form of Government” are - most people say our form of government is a “Federal Democratic Republic”

devolved - passed on or delegated to another

disparage - belittle

duties - job

duties - charge (like a tax)

duty - job

duty - charge (like a tax)

Duty of Tonnage - charge by weight

emolument, emoluments - power and/or pay

engrossed - final draft

enumeration - count or list

ex post facto - (*latin*) after the fact

excises - internal taxes

Habeas Corpus - a writ in court for release of unlawful restraint - (*latin*) produce body [of evidence]

imminent - about to occur - do not confuse with eminent or immanent

impeachment - formal accusation of wrongdoing

impeachments - formal accusations of wrongdoing

imposts - taxes or duties, that are imposed

indictment - formal charges

jurisdiction - right to control

Letters of Marque - (grant right of piracy) - document issued by a nation allowing a private citizen to seize citizens or goods of another nation

magazines - ammunition storerooms

ordain - order

prescribed - establish a rule

privileged - rights given a group

pro tempore - temporary - (*latin*) for a time

posterity - descendants

quartered - housed

quartering - housing

quorum - minimum valid number of people

redress - correct a wrong

repassed - passed again

reprisal - retaliation

republican - representative and officers elected by citizens and responsible to them

suffrage - vote or voting

tranquility - peace

treason - betrayal of country

vessels - ships

vested - given the right

viz. - abbreviation for (*latin*) videlicet - namely (and when read aloud spoken as namely) *from: The Columbia Guide to Standard American English*

welfare - well-being

writ - order

writs - orders

Appendix B: FDR's Second Bill of Rights

Source: Wikipedia

During Roosevelt's January 11, 1944 message to the [Congress](#) on the State of the Union, he said the following:

“It is our duty now to begin to lay the plans and determine the strategy for the winning of a lasting peace and the establishment of an American standard of living higher than ever before known. We cannot be content, no matter how high that general standard of living may be, if some fraction of our people—whether it be one-third or one-fifth or one-tenth—is ill-fed, ill-clothed, ill-housed, and insecure.

This Republic had its beginning, and grew to its present strength, under the protection of certain inalienable political rights—among them the right of free speech, free press, free worship, trial by jury, freedom from unreasonable searches and seizures. They were our rights to life and liberty.

As our nation has grown in size and stature, however—as our industrial economy expanded—these political rights proved inadequate to assure us equality in the pursuit of happiness.

We have come to a clear realization of the fact that true individual freedom cannot exist without economic security and independence. "Necessitous men are not free men." People who are hungry and out of a job are the stuff of which dictatorships are made.

In our day these economic truths have become accepted as self-evident. We have accepted, so to speak, a second Bill of Rights under which a new basis of security and prosperity can be established for all—regardless of station, race, or creed.

Among these are:

- The [right to a useful and remunerative job](#) in the industries or shops or farms or mines of the nation;
- The right to [earn enough](#) to provide adequate food and clothing and recreation;
- The right of every farmer to raise and sell his products at a return which will give him and his family a decent living;
- The right of every businessman, large and small, to trade in an atmosphere of freedom from [unfair competition](#) and domination by [monopolies](#) at home or abroad;
- The [right of every family to a decent home](#);
- The [right to adequate medical care](#) and the opportunity to achieve and enjoy good health;
- The right to adequate protection from the economic fears of [old age, sickness, accident, and unemployment](#);
- The [right to a good education](#).

All of these rights spell security. And after this war is won we must be prepared to move forward, in the implementation of these rights, to new goals of human happiness and well-being.

America's own rightful place in the world depends in large part upon how fully these and similar rights have been carried into practice for all our citizens. For unless there is security here at home there cannot be lasting peace in the world.”

Oops, it looks like we've had a severe over site. Most of this stuff never saw the light of day, thanks to the bureaucratic nightmare called the U.S. Government.