



Installation Guide

HP Media Card Reader with PCI Card



Kit Contents

- HP Media Card Reader with 2x5 internal USB cable
- PCI card with full-height bracket attached
- Replacement half-height bracket for PCI card
- 3.5-inch drive bay bezel, part number 358796-001, for computer models HP Compaq dc7600 Small Form Factor and dx7200 Slim Tower
- 3.5-inch drive bay bezel, part number 316008-001, for computer model HP Compaq dx5150 Small Form Factor
- *I/O and Security Software and Documentation CD*

Accessing the Internal Components of the Computer



CAUTION: Static electricity can damage the electronic components of the computer or the HP Media Card Reader and PCI card. Before beginning these procedures, ensure that you are discharged of static electricity by briefly touching a grounded metal object. Refer to the documentation included with your computer for additional information on preventing electrostatic discharge.



CAUTION: When the computer is plugged into an AC power source, voltage is always applied to the system board. You must disconnect the power cord from the power source before opening the computer to prevent system board damage.



WARNING: To reduce the risk of personal injury from electrical shock and/or hot surfaces, be sure to disconnect the power cord on the computer from the wall outlet and allow the internal system components to cool before touching.

To prepare the computer for installation of the HP Media Card Reader with PCI card, refer to the documentation included with your computer for detailed instructions to:

1. Power off and unplug the computer from the power source.
2. Remove the computer cover or access panel.
3. Remove the front bezel.
4. Remove the 3.5-inch or 5.25-inch bezel blank (or remove the 3.5-inch or 5.25-inch drive if you are replacing a drive with the HP Media Card Reader and do not have an empty drive bay).

Installing the HP Media Card Reader

You can install the HP Media Card Reader in a 5.25-inch drive bay or a 3.5-inch drive bay.

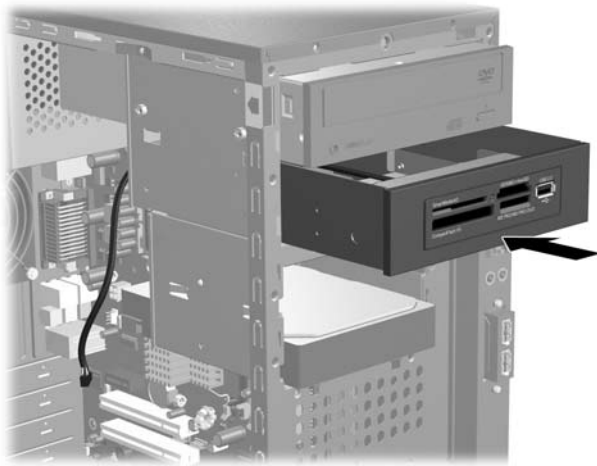


Refer to the documentation included with your computer for the proper number and location of guide screws required when installing the HP Media Card Reader in a drive bay.

5.25-inch Drive Bay

The HP Media Card Reader is pre-assembled with a 5.25-inch drive bay adapter kit for installing it in a 5.25-inch drive bay.

Refer to the documentation included with your computer for instructions on installing a drive in a 5.25-inch drive bay and proper guide screw usage.



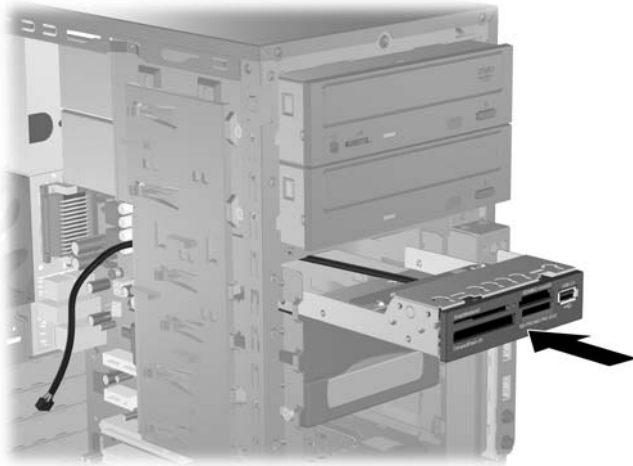
3.5-inch Drive Bay

Before installing the HP Media Card Reader in a 3.5-inch drive bay, you must remove the 5.25-inch adapter kit.

1. Disassemble the 5.25-inch adapter kit by removing the four screws that secure the adapter brackets and bezel to the HP Media Card Reader.



2. Reinstall the guide screws that were removed in the previous step to one or both sides of the HP Media Card Reader. Refer to the documentation included with your computer for proper guide screw usage and instructions on installing a drive in a 3.5-inch drive bay.



3. If you are installing the HP Media Card Reader in a dc7600 Small Form Factor or dx7200 Slim Tower, install the 3.5-inch drive bay bezel (358796-001) included in the kit for those models. If you are installing the HP Media Card Reader in a dx5150 Small Form Factor, install the 3.5-inch drive bay bezel (316008-001) included in the kit for that model.



If your computer model requires a 3.5-inch drive bay bezel that was not included in the kit, go to www.hp.com to purchase a bezel.

Connecting the Internal USB Cable

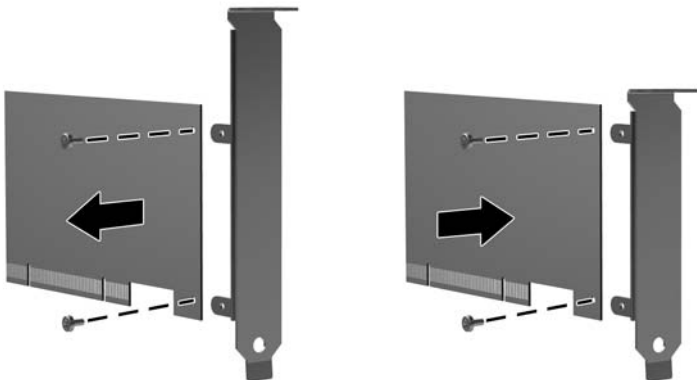
The USB cable on the HP USB Media Card Reader can be connected to the system in one of two ways:

- If there is an available USB connector on the system board in your computer model, you can connect the internal USB cable from the HP Media Card Reader directly to the system board. No PCI card installation is necessary.
- Install the PCI card and connect the USB cable to the card if no USB connector is available on the system board.

Connecting to the PCI Card

If no system board connector is available for the internal USB cable, you must install the supplied PCI card and connect the cable to an available USB connector on the card.

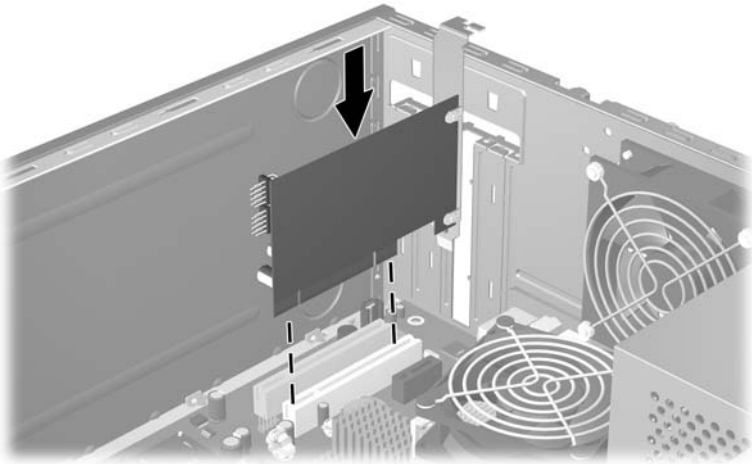
1. A full-height expansion cover bracket is attached to the PCI card. If your computer requires a half-height bracket, remove the full-height bracket and attach the half-height bracket to the PCI card before installing the card.



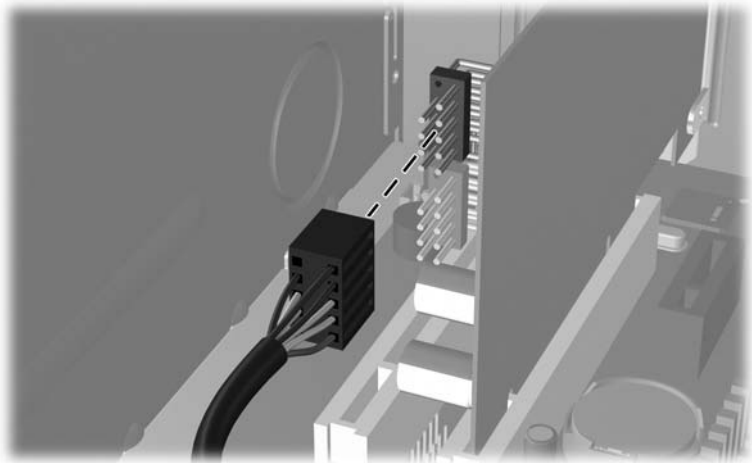
2. Insert the PCI card into an available PCI slot in the computer.



Refer to the documentation included with your computer for instructions on installing a PCI card.



3. Connect the internal USB cable from the HP Media Card Reader to an available 2x5 connector on the PCI card.

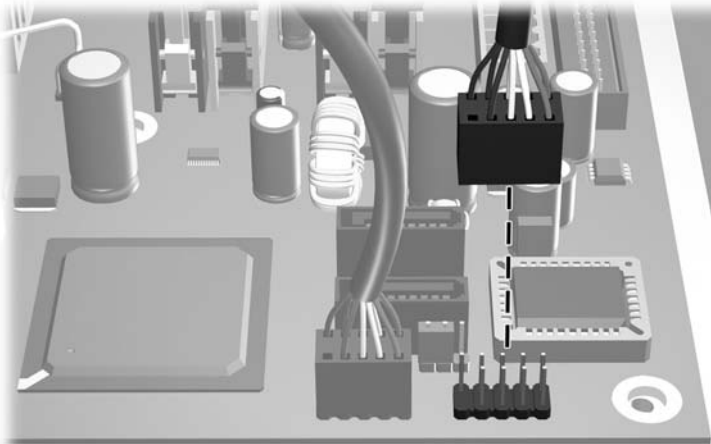


Connecting to the System Board

Plug the internal USB cable from the HP Media Card Reader directly into an available 2x5 USB connector on the system board.



CAUTION: Some system boards do not have an available USB connector. If you unplug the USB cable that is connected to the system board to free up a connector for the HP Media Card Reader, the front USB ports on the computer will not function.



Reassembling the Computer

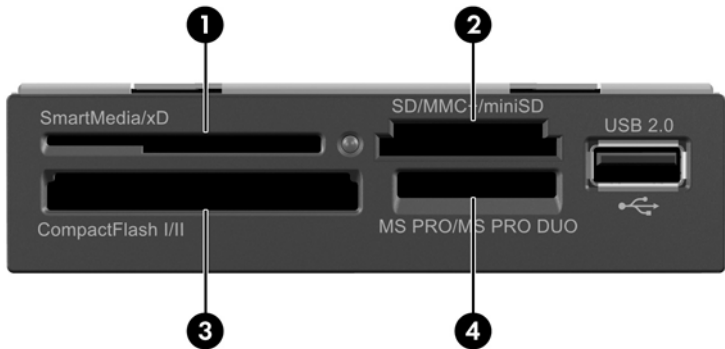
After installing the HP Media Card Reader and, if necessary, the PCI card:

1. Replace the front bezel.
2. Replace the computer cover or access panel.
3. Plug in and power on the computer.

The HP Media Card Reader should now be ready for use. If you encounter problems, refer to the [“Troubleshooting”](#) section.

Identifying the Media Slots

The media slots accept the following cards.



-
- | | |
|--|---|
| <p>1 • 3.3V SmartMedia Card (SM)</p> <ul style="list-style-type: none">• xD-Picture Card (xD) | <p>2 • Secure Digital Card (SD)</p> <ul style="list-style-type: none">• MiniSD• MultiMediaCard (MMC)• Reduced Size MultiMediaCard (RS MMC)• MultiMediaCard 4.0 (Mobile Plus)• Reduced Size MultiMediaCard 4.0 (MMC Mobile)• MMC Micro (adapter required)• MicroSD (T-Flash) (adapter required) |
| <p>3 • CompactFlash Card Type 1</p> <ul style="list-style-type: none">• CompactFlash Card Type 2• MicroDrive | <p>4 • Memory Stick (MS)</p> <ul style="list-style-type: none">• MagicGate Memory Stick (MG)• MagicGate Memory Duo• Memory Stick Select• Memory Stick Duo (MS Duo)• Memory Stick PRO (MS PRO)• Memory Stick PRO Duo (MS PRO Duo) |
-

Identifying Compatible Media Cards

The following media cards are vendor-tested as compatible with the HP Media Card Reader.

Type	Vendor	Capacity
MD	Cornice	1.5GB
MD	HITACHI	4GB
MD	HITACHI	6GB
MD	MagicStor	2.2GB
MD	Seagate ST1 Drive	2.5GB
MD	Tiny Drive	2.2GB
CF	Apacer	128MB
CF	Apacer (100x)	256MB
CF	Apacer (100x)	512MB
CF	Apacer (100x)	1GB
CF	ATP	512MB
CF	AVL	32MB
CF	Canon	16MB
CF	Canon	32MB
CF	DEC	128MB
CF	Delkin	128MB
CF	Delkin Pro	128MB
CF	Dynamic	256MB
CF	Eagle Tec	128MB
CF	Eagle Tec	256MB
CF	FEIYA	8MB
CF	Hagiwara sys-com	64MB
CF	Hagiwara sys-com	128MB
CF	Hagiwara sys-com	256MB

Type	Vendor	Capacity
CF	Hagiwara sys-com	512MB
CF	Hagiwara sys-com CF ZII x160	1GB
CF	IO-DATA	32MB
CF	IO-DATA	64MB
CF	IO-DATA	128MB
CF	KINGMAX	32MB
CF	KINGMAX	64MB
CF	KINGMAX	256MB
CF	KINGMAX	512MB
CF	KINGSTON	128MB
CF	KINGSTON	256MB
CF	KINGSTON	512MB
CF	KINGSTON	1024MB
CF	KINGSTON Ultimate (100x)	1GB
CF	KINGSTON Elite Pro (50x)	1GB
CF	KINGSTON Elite Pro (45x)	4GB
CF	KINGSTON Ultimate (133x)	4GB
CF	KINGSTON Elite Pro (45x)	8GB
CF	KINGSTON Ultimate (133x)	8GB
CF	KINGSTON	8GB
CF	Kodak	4MB
CF	Kodak	8MB
CF	Kodak	16MB
CF	Kodak	64MB
CF	Lexar	16MB
CF	Lexar	32MB
CF	Lexar	48MB
CF	LEAD DATA	64MB

Type	Vendor	Capacity
CF	Lexar (40x)	256MB
CF	Lexar	1GB
CF	Lexar Platinum (40x)	1GB
CF	Lexar Professional (80x) (with write acceleration)	1GB
CF	Lexar Platinum II (80x)	1GB
CF	Lexar Professional (133x)	1GB
CF	Lexar (40x)	4GB
CF	Megadata	64MB
CF	Megapower	128MB
CF	Nikon	16MB
CF	Panasonic	8MB
CF	PENTAX	128MB
CF	Philson ultra DMA	256MB
CF	PQI	128MB
CF	PQI	256MB
CF	PRETEC (40x)	128MB
CF	PRETEC (80x)	256MB
CF	RIDATA (52x)	128MB
CF	RIDATA	512MB
CF	RIDATA pro-2 (80x)	2GB
CF	RITEK	32MB
CF	Samsung	64MB
CF	Samsung	128MB
CF	Samsung	256MB
CF	SanDisk	8MB
CF	SanDisk	20MB
CF	SanDisk	32MB

Type	Vendor	Capacity
CF	SanDisk	64MB
CF	SanDisk	128MB
CF	SanDisk Ultra	256MB
CF	SanDisk Ultra II	256MB
CF	SanDisk	512MB
CF	SanDisk Ultra II	512MB
CF	SanDisk Extreme	512MB
CF	SanDisk Ultra II	1GB
CF	SanDisk Ultra III	1GB
CF	SanDisk Extreme III	1GB
CF	SanDisk Ultra II	2GB
CF	SanDisk Extreme IV	2GB
CF	SILICON POWER	128MB
CF	TDK	128MB
CF	TEKQ	128MB
CF	Team	256MB
CF	Team	512MB
CF	Team	1GB
CF	TOSHIBA	256MB
CF	Transcend (80x)	32MB
CF	Transcend	64MB
CF	Transcend (Industrial)	128MB
CF	Transcend (80x)	128MB
CF	Transcend (45x)	256MB
DF	Transcend (80x)	256MB
CF	Transcend	512MB
CF	Transcend (45x)	512MB
CF	Transcend (80x)	512MB

Type	Vendor	Capacity
CF	Transcend (Industrial)	1GB
CF	Transcend (45x)	1GB
CF	Transcend (80x)	1GB
CF	Transcend (120x)	2GB
CF	Transcend (80x)	4GB
CF	Transcend (120x)	4GB
CF	Transcend (Industrial)	4GB
CF	Transcend (120x)	8GB
CF	TwinMOS	512MB
CF	VMAX	128MB
SM	EagleTec	64MB
SM	FujiFilm	4MB
SM	FujiFilm	16MB
SM	Hagiwara sys-com	128MB
SM	Mitsubishi	64MB
SM	Mr. Flash	32MB
SM	Mr. Flash	64MB
SM	Olympus	8MB
SM	PNY	128MB
SM	PQI	64MB
SM	Pretec	64MB
SM	RIDATA	64MB
SM	Royal	128MB
SM	Samsung	64MB
SM	Samsung	128MB
SM	SanDisk	32MB
SM	SanDisk	64MB
SM	SanDisk	128MB

Type	Vendor	Capacity
SM	Silicon Power	128MB
SM	Toshiba	8MB
SM	Transcend	128MB
SM	TwinMOS	64MB
SM	TwinMOS	128MB
xD	FUJIFILM	16MB
xD	FUJIFILM	32MB
xD	FUJIFILM	64MB
xD	FUJIFILM	128MB
xD	FUJIFILM	256MB
xD	FUJIFILM	H256MB
xD	FUJIFILM	512MB
xD	Kodak	128MB
xD	OLYMPUS	16MB
xD	OLYMPUS	32MB
xD	OLYMPUS	64MB
xD	OLYMPUS	128MB
xD	OLYMPUS	256MB
xD	OLYMPUS	512MB
xD	OLYMPUS	H1GB
xD	OLYMPUS	M1GB
xD	TOSHIBA	M256MB
xD	TOSHIBA	M512MB
xD	TOSHIBA MLC	M1GB
xD	TOSHIBA	M2GB
MMC	ADATA plus (100x)	512MB
MMC	EagleTec	64MB
MMC	Easystar	256MB

Type	Vendor	Capacity
MMC	Kingston	64MB
MMC	Kodak	64MB
MMC	LEAD DATA	32MB
MMC	Lexar	128MB
MMC	PDC	32MB
MMC	PQI	32MB
MMC	PQI	128MB
MMC	PRETEC	32MB
MMC	Prima	128MB
MMC	RIDATA	64MB
MMC	SanDisk	32MB
MMC	SanDisk	64MB
MMC	TEC	64MB
MMC	TEC	256MB
MMC	TEKQ	128MB
MMC	Transcend	32MB
MMC	Transcend	64MB
MMC	Transcend plus	512MB
MMC	TwinMOS	256MB
RS-MMC	A-DATA	512MB
RS-MMC	Kingmax	128MB
RS-MMC	Kingmax	256MB
RS-MMC	Kingmax	512MB
RS-MMC	Lexar	128MB
RS-MMC	Lexar	512MB
RS-MMC	SanDisk	128MB
RS-MMC	SanDisk	512MB
RS-MMC	TEKQ	256MB

Type	Vendor	Capacity
RS-MMC	Transcend	128MB
RS-MMC	Transcend	256MB
RS-MMC	Transcend	1GB
MMCmobile	A-DATA (100x)	128MB
MMCmobile	Kingston	256MB
MMCmobile	Samsung	64MB
MMCmobile	Samsung	256MB
MMCmobile	Team	128MB
MMCmobile	Team	256MB
MMCmobile	Team	512MB
MMCmobile	Team	1GB
MMCmobile	Transcend	512GB
MMCmobile	TwinMOS	128MB
MMCplus	A-DATA (200x)	256MB
MMCplus	A-DATA (100x)	512MB
MMCplus	Kingston	256MB
MMCplus	Kingston	512MB
MMCplus	Phison	256MB
MMCplus	Samsung	128MB
MMCplus	Samsung	512MB
MMCplus	Skymedi	128MB
MMCplus	SMI	128MB
MMCplus	Team	128MB
MMCplus	Team	256MB
MMCplus	Team	512MB
MMCplus	Team	1GB
MMCplus	Team	2GB
MMCplus	Transcend	512MB

Type	Vendor	Capacity
MMCplus	Transcend	2GB
MMCplus	Transcend	4GB
SD	A-DATA Turbo (150x)	512MB
SD	A-DATA Turbo (150x)	2GB
SD	Apacer (60x hipgh speed)	1GB
SD	ATP	256MB
SD	Billionton	256MB
SD	BUFFALO High-Performance	512MB
SD	Canon	16MB
SD	ChoiceOnly	1GB
SD	Hagiwara sys-com	64MB
SD	HP	128MB
SD	InCOM	128MB
SD	Infineon	64MB
SD	Infineon	128MB
SD	IO DATA	64MB
SD	KINGMAX	64MB
SD	KINGMAX	128MB
SD	KINGMAX	256MB
SD	KINGMAX platinum	256MB
SD	Kingston	128MB
SD	Kingston	256MB
SD	Kingston	512MB
SD	Kingston	1GB
SD	Kingston	2GB
SD	Kodak	128MB
SD	LEADSTON	256MB
SD	Lexar	32MB

Type	Vendor	Capacity
SD	Lexar	64MB
SD	Lexar	128MB
SD	Lexar Platinum (40x)	256MB
SD	Lexar	256MB
SD	Lexar	512MB
SD	Lexar	1GB
SD	Lexar Professional (133x)	1GB
SD	Lexar Platinum II (60x)	2GB
SD	MICRODIA Xtra Pro	1GB
SD	Panasonic	16MB
SD	Panasonic	128MB
SD	Panasonic	256MB
SD	Panasonic high-speed	512MB
SD	Panasonic high-speed	1GB
SD	PDC	256MB
SD	Phison	256MB
SD	PNY	256MB
SD	PNY	1GB
SD	PQI	256MB
SD	Pretec	128MB
SD	Prima	128MB
SD	RIDATA Pro (150x)	2GB
SD	SanDisk	32MB
SD	SanDisk	64MB
SD	SanDisk	128MB
SD	SanDisk	256MB
SD	SanDisk Ultra II	256MB
SD	SanDisk Ultra II	512MB

Type	Vendor	Capacity
SD	SanDisk	512MB
SD	SanDisk	1GB
SD	SanDisk Extreme III	1GB
SD	SanDisk	2GB
SD	SanDisk	8GB
SD	Silicon Power Ultima	256MB
SD	SimpleTech	256MB
SD	TOSHIBA	64MB
SD	TOSHIBA	128MB
SD	TOSHIBA	512MB
SD	TOSHIBA	256MB
SD	TOSHIBA	1GB
SD	Transcend	32MB
SD	Transcend (45x)	128MB
SD	Transcend (80x)	128MB
SD	Transcend (80x)	256MB
SD	Transcend	512MB
SD	Transcend (80x)	512MB
SD	Transcend	1GB
SD	Transcend	2GB
SD	Transcend (80x)	2GB
SD	Transcend (150x)	2GB
SD	Transcend (150x)	4GB
SD	TwinMOS	128MB
SD	TwinMOS Ultra-X	512MB
SD	Team	128MB
SD	Team	256MB
SD	Team	512MB

Type	Vendor	Capacity
SD	Team	1GB
Mini SD	ATP	128MB
Mini SD	D-TEC	2GB
Mini SD	Hagiwara sys-com	32MB
Mini SD	Kingmax	64MB
Mini SD	Kingmax	128MB
Mini SD	Kingmax	256MB
Mini SD	Kingmax	1GB
Mini SD	Kingston	128MB
Mini SD	Lexar	32MB
Mini SD	Lexar	128MB
Mini SD	RiDATA	128MB
Mini SD	SanDisk	128MB
Mini SD	SanDisk	256MB
Mini SD	Team	256MB
Mini SD	Team	512MB
Mini SD	Team	1GB
Mini SD	TOSHIBA	32MB
Mini SD	TOSHIBA	64MB
Mini SD	TwinMOS	128MB
Mini SD	Transcend	256MB
Mini SD	Transcend (80x)	2GB
MS	Apacer	128MB
MS	Hagiwara sys-com	64MB
MS	Hagiwara sys-com	128MB
MS	IODATA	64MB
MS	IODATA	128MB
MS	Lexar	64MB

Type	Vendor	Capacity
MS	Lexar	128MB
MS Select	Lexar	256MB
MS	SanDisk	64MB
MS	SONY	4MB
MS	SONY	8MB
MS	SONY	16MB
MS	SONY	32MB
MS	SONY	64MB
MS	SONY	128MB
MS Select	SONY	256MB (A,B Bank)
MS ROM	SONY	8MB
MS MAGICGATE	SONY	128MB
MS MAGICGATE	Lexar	128MB
MS Duo MAGICGATE	SONY	16~128MB
MS PRO	Lexar	256MB
MS PRO	SanDisk	128MB
MS PRO	SanDisk	256MB
MS PRO	SanDisk Extreme	256MB
MS PRO	SanDisk Ultra II	256MB
MS PRO	SanDisk	512MB
MS PRO	SanDisk Extreme	512MB
MS PRO	SanDisk Ultra II	512MB
MS PRO	SanDisk	1GB
MS PRO	SanDisk Extreme III	1GB
MS PRO	SanDisk Ultra II	1GB
MS PRO	SanDisk Extreme III	2GB
MS PRO	SanDisk Ultra II	2GB
MS PRO	SanDisk	4GB

Type	Vendor	Capacity
MS PRO	SanDisk Ultra II	4GB
MS PRO	SONY	256MB
MS PRO	SONY (High Speed)	256MB
MS PRO	SONY	512MB
MS PRO	SONY (High Speed)	512MB
MS PRO	SONY	1GB
MS PRO	SONY (High Speed)	1GB
MS PRO	SONY	2GB
MS PRO	SONY (High Speed)	2GB
MS PRO Duo	SanDisk	128MB
MS PRO Duo	SanDisk	256MB
MS PRO Duo	SanDisk	512MB
MS PRO Duo	SanDisk Extreme III	1GB
MS PRO Duo	SONY	256MB
MS PRO Duo	SONY	512MB
MS PRO Duo	SONY	1GB
MS PRO Duo	SONY	2GB

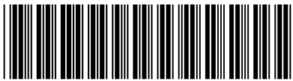
The following media cards are vendor-tested as compatible with the HP Media Card Reader with a card adapter.

Type	Vendor	Capacity
MMCMicro	Samsung	512MB
Micro SD (T-Flash)	SanDisk	256MB
Micro SD (T-Flash)	SanDisk	512MB
Micro SD (T-Flash)	SanDisk	2GB
Micro SD (T-Flash)	Transcend (80x)	512MB
Micro SD (T-Flash)	Transcend	1GB
MS Micro (M2)	SONY	512MB
MS Micro (M2)	SONY	1GB

Troubleshooting

Problem	Cause	Solution
Media card will not work in a digital camera after formatting it in Microsoft Windows XP.	By default, Windows XP will format any media card with a capacity greater than 32MB with the FAT32 format. Most digital cameras use the FAT (FAT16 & FAT12) format and can not operate with a FAT32 formatted card.	Either format the media card in the digital camera or select FAT file system to format the media card in a computer with Windows XP.
A write-protected or locked error occurs when attempting to write to the media card.	Media card is locked. Locking the media card is a safety feature that prevents writing to and deleting from an SD/Memory Stick/PRO card.	If using an SD card, make sure that the lock tab located on the right of the SD card is not in the locked position. If using a Memory Stick/PRO card, make sure that the lock tab located on the bottom of the Memory Stick/PRO card is not in the locked position.
Can not write to the media card.	The media card is a read-only memory (ROM) card.	Check the manufacturer's documentation included with your card to see if it writable. Refer to the previous section for a list of compatible cards.
Unable to access data on the media card after inserting it into a slot.	The media card is not inserted properly, is inserted in the wrong slot, or is not supported.	Ensure that the card is inserted properly with the gold contact on the correct side. The green LED will light if inserted properly. Refer to " Identifying the Media Slots " for supported media cards and their slot locations.

Problem	Cause	Solution
Do not know how to remove a media card correctly.	The computer's software is used to safely eject the card.	Open "My Computer," right-click on the corresponding drive icon, and select "Eject." Then pull the card out of the slot. Note: Never remove the card when the green LED is flashing.
After installing the media card reader and booting to Windows, the reader and the inserted cards are not recognized by the computer.	The operating system needs time to recognize the device if the reader was just installed into the computer and you are turning the PC on for the first time.	Wait a few seconds so that the operating system can recognize the reader and the available ports, and then recognize whatever media is inserted in the reader.
After inserting a media card in the reader, the computer attempts to boot from the media card.	The inserted media card has boot capability.	If you do not want to boot from the media card, remove it during boot or do not select the option to boot from the inserted media card during the boot process.
Computer will not boot from a USB removable drive or media that is inserted in the USB port on the media card reader.	The media card reader is connected to the computer via the PCI card, which is not supported on the HP DesktopBIOS.	The bootable USB device will have boot support if you connect the media card reader to an available USB connector on the computer's system board. If no connector is available, plug the bootable device into a different USB port on the computer.
After installing the media card reader, the front USB ports on the computer do not work.	The USB cable for the front USB ports was disconnected so that the system board connector could be used for the reader.	Reconnect the cable for the front USB ports. Install the PCI card and connect the media reader to the USB connector on the PCI card.



408847-004

© 2006, 2007 Hewlett-Packard Development Company, L.P.
Microsoft and Windows are trademarks of Microsoft Corporation in the U.S. and other countries. The information contained herein is subject to change without notice. The only warranties for HP products and services are set forth in the express warranty statements accompanying such products and services. Nothing herein should be construed as constituting an additional warranty. HP shall not be liable for technical or editorial errors or omissions contained herein.
Fourth Edition, January 2007