

Ask for other AIRFIX models in this series

Printed in England

PLEASE OPEN CAREFULLY — INSTRUCTIONS OVERLEAF

At Brooklands in 1911 a racing version of this car driven by E. W. (now Lord) Hives covered the flying half mile at 101.8 m.p.h.

- ENGINE
- Makers H.P. — 40/50.
- Cylinders — 6.
- Ignition — Dual.
- Cooling — Water.
- Bore and Stroke — 4½ in. x 4½ in.
- Inlet Valves — Mechanical.
- CHASSIS
- Clutch — Cone.
- Gearbox — 4 speed.
- Gear Change — Gate.
- Wheels — Wire Detachable.
- Tyres — Pneumatic.

TECHNICAL DATA

The partnership between F. H. Royce and the Rt. Hon. C. S. Rolls which began in 1904 produced a world famous standard of quality, of which this 1911 model is a fine example.

1911 ROLLS-ROYCE

MADE IN ENGLAND

PATTERN NO. 1315

1911 ROLLS-ROYCE

SCALE MODEL

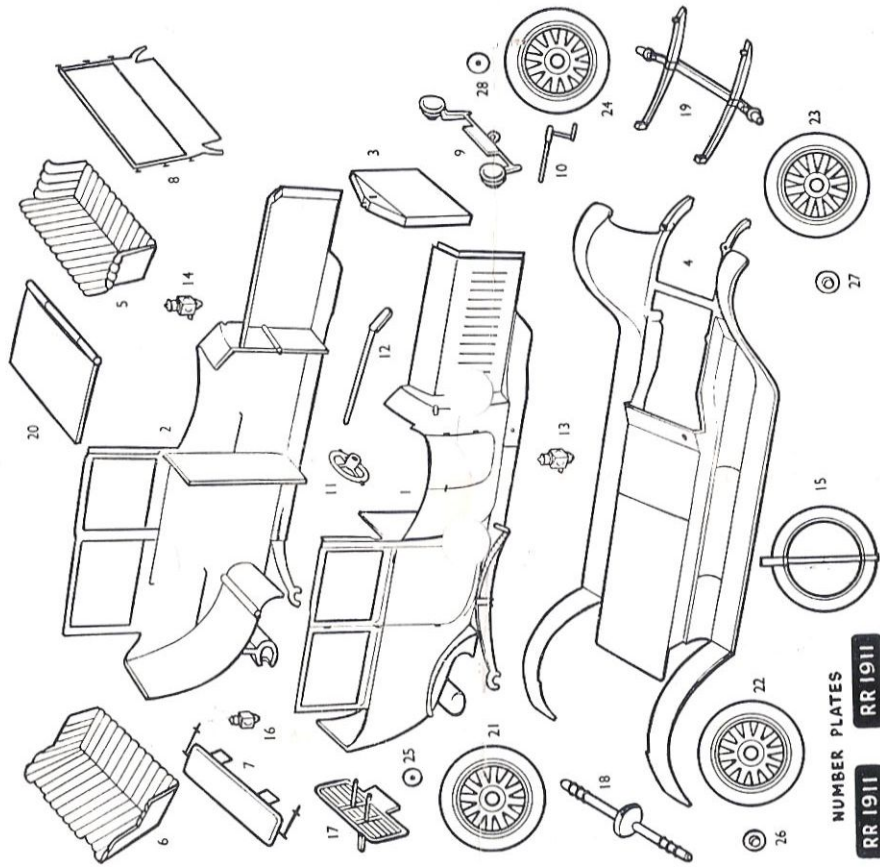
CONSTRUCTION KIT



AIRFIX

ONE OF THE AIRFIX SERIES

OF MODEL VINTAGE CARS



NUMBER PLATES
RR 1911 **RR 1911**

1911 ROLLS-ROYCE—ASSEMBLY INSTRUCTIONS

1. Cement both sides of body together (1 and 2).
2. Locate and cement radiator (3).
3. Cement body to chassis assembly (4).
4. Locate and cement front and rear seats in position (5 and 6).
5. Locate and cement folded top cover (7) behind rear seat.
6. Cut out and cement small piece of acetate to windscreen (8) and cement assembly in position.
7. Locate and cement headlamp assembly (9) in position on front springs and locate starting handle (10).
8. Cement steering wheel (11) to column (12), dip bottom of column in cement and push into recess in floorboards.
9. Cement side lamps (13 and 14) into locations on each side of body.
10. Cement spare tyre (15) in position on right hand running board.
11. Cement rear lamp (16) to luggage rack (17) and cement rack in position on petrol tank at rear of car.
12. Snap rear axle (18) in locations on rear springs and cement.
13. Locate and cement front springs (19) and axle assembly.
14. Carefully fold remaining piece of acetate and cement in position inside cab.
15. Cement top (20) in position on cab.
16. Push wheels (21, 22, 23 and 24) on axles and carefully cement hub caps (25, 26, 27 and 28) in position so that wheels revolve freely.
17. Cut out and cement number plates in position.

N.B.—For painting use Airfix Painting Packs. For fixing use Airfix Polystyrene cements.

SUGGESTED COLOUR SCHEME

Royal Blue.—Body, Wings, Wheels.
Gold.—Radiator, lamps, windscreen frame, luggage rack, hub caps, starting handle, steering column.

Maroon.—Upholstery of seats.
Black.—Underside of chassis, axles, tyres, springs, steering wheel, top cover.

All Airfix Aircraft Construction Kits in Series 1, 2, 3, 4, 5 are made to a constant 1/72 scale. All models are designed with the same skill and attention to detail so that a large and varied collection can be built up. Each model is true to scale and realistic in relationship to all other models. Other fine Airfix Construction Kits are available in various series such as Historical Ships, 1/32 Vintage Cars and 1/12 model figures. A list of the many other Airfix Models which you can make will be found on a Slip in this package.